

# RFFM8550

4.9GHz to 5.85GHz 802.11a/n/ac WiFi  
Switch + LNA Module

The RFFM8550 provides a complete integrated switch + LNA solution in a single Front End Module (FEM) for WiFi 802.11a/n/ac systems. The ultra-small form factor and integrated matching greatly reduces the number of external components and layout area in the customer applications. This simplifies the total front end solution by reducing the bill of materials, system footprint, and manufacturing cost. The RFFM8550 integrates a Single Pole Two Throw (SP2T) Transmit/Receive (T/R) Switch and a 5.0GHz Low Noise Amplifier (LNA) with bypass mode. The device is provided in a 1.5mm x 1.5mm x 0.40mm 8-pin DFN package.



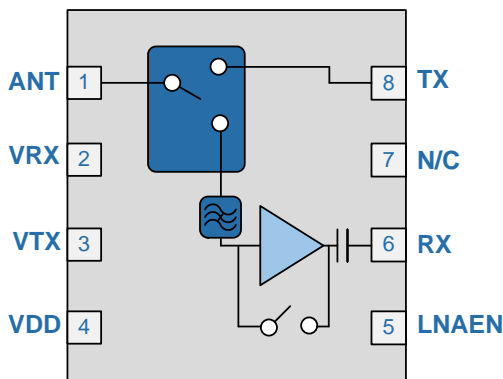
Package: DFN, 8-pin,  
1.5mm x 1.5mm x 0.40mm

## Features

- SP2T T/R Switch
- LNA with Bypass Mode
- Input and Output Matched to 50Ω
- Wide Voltage Supply Range
- Supports WiFi chipsets with Integrated Power Amplifier (iPA)
- Low Profile Package for Module Designs

## Applications

- Cellular Handsets
- Mobile Devices
- Tablets
- Consumer Electronics
- Gaming
- Netbooks/Notebooks
- TV/Monitors/Video



Functional Block Diagram

## Ordering Information

RFFM8550SB	Standard 5-piece sample bag
RFFM8550SQ	Standard 25-piece sample bag
RFFM8550SR	Standard 100-piece reel
RFFM8550TR7	Standard 2500-piece reel
RFFM8550PCK-410	Fully assembled evaluation board w/ 5-piece bag

## Absolute Maximum Ratings

Parameter	Rating	Unit
DC Supply Voltage (No RF Applied)	-0.5 to 6	V
DC Supply Current	100	mA
Operating Case Temperature	-40 to +85	°C
Storage Temperature	-40 to +150	°C
Maximum TX Input Power for 11b/g/n/ac (No Damage)	+30	dBm
Maximum RX Input Power (No Damage)	+12	dBm
Bypass Mode Maximum RX input power (No damage)	+25	dBm
Moisture Sensitivity	MSL2	



**Caution!** ESD sensitive device.



RFMD Green: RoHS status based on EU Directive 2011/65/EU (at time of this document revision), halogen free per IEC 61249-2-21, < 1000ppm each of antimony trioxide in polymeric materials and red phosphorus as a flame retardant, and <2% antimony in solder.

Exceeding any one or a combination of the Absolute Maximum Rating conditions may cause permanent damage to the device. Extended application of Absolute Maximum Rating conditions to the device may reduce device reliability. Specified typical performance or functional operation of the device under Absolute Maximum Rating conditions is not implied.

## Nominal Operating Parameters

Parameter	Specification			Unit	Condition
	Min	Typ	Max		
<b>Compliance:</b>					<b>4.9GHz to 5.85GHz Only</b>
Operating Frequency	5.18		5.825	GHz	
Extended Frequency	4.9		5.925	GHz	
Operating Temperature	-40	25	85	°C	
Power Supply $V_{DD}$	3.0	3.6	5.0	V	
Control Voltage-high	2.8	3.1	$V_{CC}$	V	VTX, VRX, and LNA_EN Should not exceed $V_{CC}$ voltage
Control Voltage-low		0	0.24	V	
<b>Transmit (TX-ANT)</b>					<b><math>V_{DD} = 3.6V</math>, unless otherwise noted</b>
Insertion Loss		0.6	1.2	dB	$T = 25^{\circ}C$ , $V_{DD} = 3.6V$
TX Port Return Loss	12	25		dB	
ANT Port Return Loss	12	25		dB	
Input P1dB	27	30		dBm	$T = 25^{\circ}C$ , $V_{DD} = 3.6V$
ANT-RX Isolation	28	35		dB	TX Mode-TX enabled and maximum power
<b>Receive (ANT-RX)-LNA On</b>					<b><math>V_{DD} = 3.6V</math>, unless otherwise noted</b>
Gain	9	12	14	dB	$T = 25^{\circ}C$ , $V_{DD} = 3.6V$
Gain flatness over any 80MHz BW	-0.25		+0.25	dB	
Gain flatness across band	-1		+1	dB	$T = 25^{\circ}C$ , $V_{DD} = 3.6V$
Noise Figure-Nominal		2.5	3	dB	

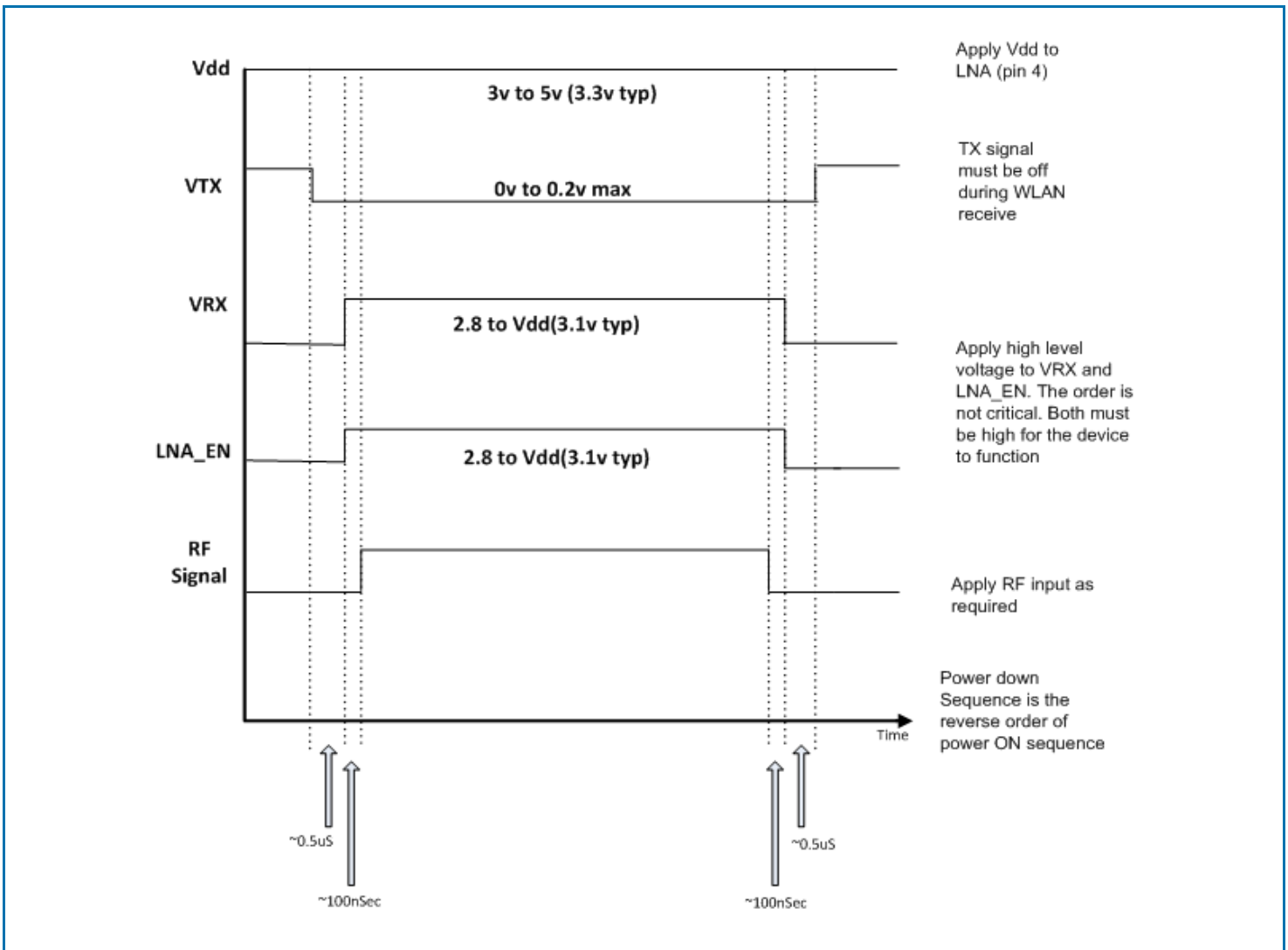
Parameter	Specification			Unit	Condition
	Min	Typ	Max		
<b>Receive (ANT-RX)-LNA On (continued)</b>					<b>V<sub>DD</sub> = 3.6V, unless otherwise noted</b>
Rx Port Return Loss	8	12		dB	
ANT Port Return Loss	8	10		dB	
Nominal Input P1dB	-6	-3		dBm	T = 25°C, V <sub>DD</sub> = 3.6V
Current Consumption	6	10	16	mA	
LNAEN Control Current		140	250	μA	
LNA Turn On Time		400	600	nS	
<b>Receive (ANT-RX)-Bypass Mode</b>					<b>V<sub>DD</sub> = 3.6V, unless otherwise noted</b>
Insertion Loss	5	7	12	dB	T = 25°C, V <sub>DD</sub> = 3.6V
RX Port Return Loss	8	12		dB	
ANT Port Return Loss	8	15		dB	
Input P1dB	15	20		dBm	T = 25°C, V <sub>DD</sub> = 3.6V
<b>General Specifications</b>					<b>V<sub>DD</sub> = 3.6V, unless otherwise noted</b>
Control Line Impedance - VTX		40		MΩ	
Control Line Impedance - LNAEN		70		kΩ	
Control Line Impedance - VRX		40		MΩ	
V <sub>DD</sub> Leakage Current		0.2	10	μA	
Switch Control Current – High - Each Line		2	10	μA	
Switch Control Current – Low - Each Line		0.1	1	μA	T = 25°C, V <sub>DD</sub> = 3.6V
Switching Speed		100	500	ns	
ESD – Human Body Model		1000		V	
ESD – Charge Device Model		1000		V	

### Switch Control Logic Truth Table

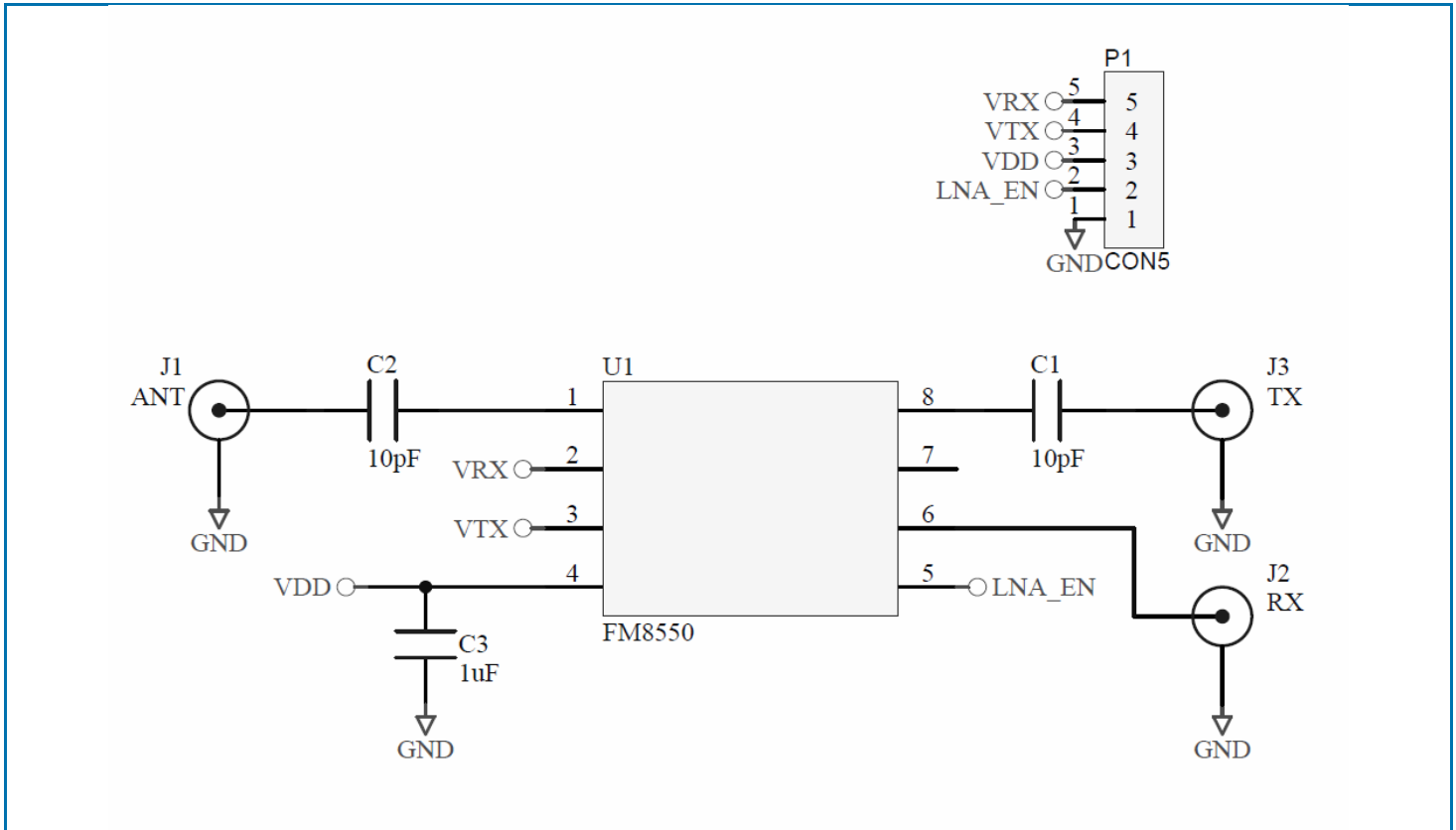
Operating Mode	VTX	LNAEN	VRX
Standby	Low	Low	Low
802.11a/n/ac TX Mode	High	Low	Low
802.11a/n/ac RX Gain	Low	High	High
802.11a/n/ac RX Bypass	Low	Low	High

Note: High = 2.8 to V<sub>CC</sub>. Low = 0V to 0.2V.

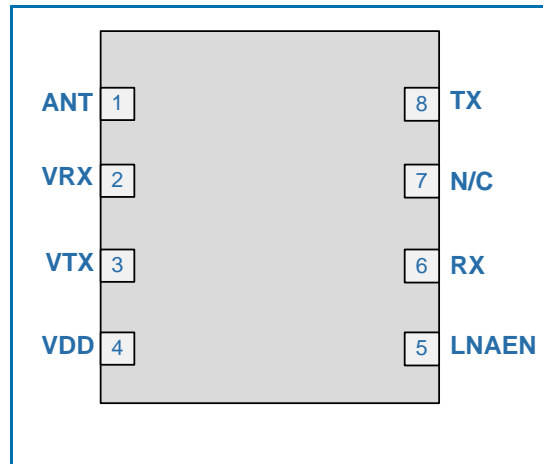
### Timing Diagram



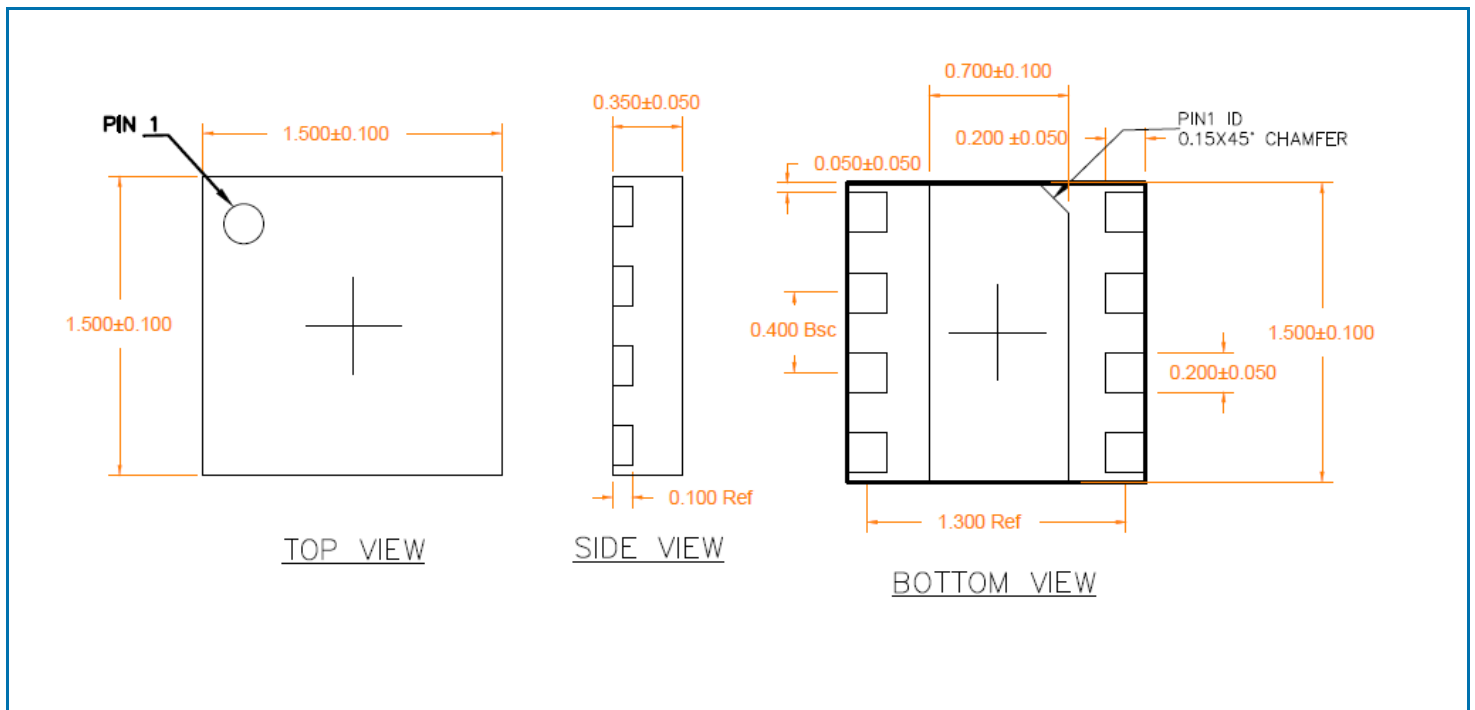
Evaluation Board Schematic



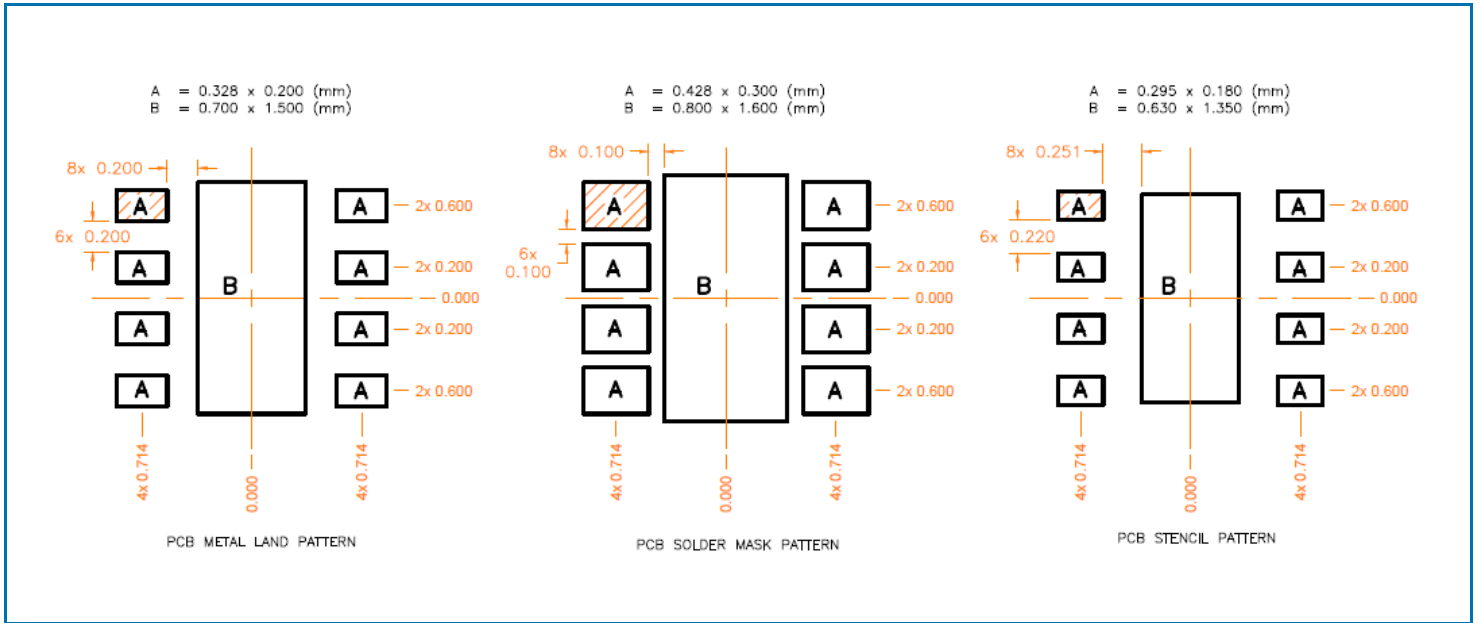
Pin Out



Package Drawing



PCB Patterns



Note: Shaded area represents Pin 1.

## Pin Names and Descriptions

Pin	Name	Description
1	ANT	RF bidirectional antenna port matched to 50Ω. An external DC block is required.
2	VRX	Receive switch control pin. See switch truth table for proper voltage level.
3	VTX	Control voltage for the TX switch. See truth table for proper voltage level.
4	VDD	Supply voltage for the LNA. See applications schematic for bypassing components.
5	LNAEN	Control voltage for the LNA. When this pin is set to a LOW logic state, the bypass mode is enabled.
6	RX	RF output port for the 802.11a/n/ac LNA. This port is matched to 50Ω and DC blocked internally
7	N/C	This pin is not connected internally and can be left floating or connected to ground.
8	TX	RF input port for the TX throw of the T/R switch. An external DC block is required
Pkg Base	GND	Ground connection. The backside of the package should be connected to the ground plane through a short path, i.e., PCB vias under the device are recommended.



Компания «Life Electronics» занимается поставками электронных компонентов импортного и отечественного производства от производителей и со складов крупных дистрибьюторов Европы, Америки и Азии.

С конца 2013 года компания активно расширяет линейку поставок компонентов по направлению коаксиальный кабель, кварцевые генераторы и конденсаторы (керамические, пленочные, электролитические), за счёт заключения дистрибьюторских договоров

Мы предлагаем:

- Конкурентоспособные цены и скидки постоянным клиентам.
- Специальные условия для постоянных клиентов.
- Подбор аналогов.
- Поставку компонентов в любых объемах, удовлетворяющих вашим потребностям.
- Приемлемые сроки поставки, возможна ускоренная поставка.
- Доставку товара в любую точку России и стран СНГ.
- Комплексную поставку.
- Работу по проектам и поставку образцов.
- Формирование склада под заказчика.
- Сертификаты соответствия на поставляемую продукцию (по желанию клиента).
- Тестирование поставляемой продукции.
- Поставку компонентов, требующих военную и космическую приемку.
- Входной контроль качества.
- Наличие сертификата ISO.

В составе нашей компании организован Конструкторский отдел, призванный помогать разработчикам, и инженерам.

Конструкторский отдел помогает осуществить:

- Регистрацию проекта у производителя компонентов.
- Техническую поддержку проекта.
- Защиту от снятия компонента с производства.
- Оценку стоимости проекта по компонентам.
- Изготовление тестовой платы монтаж и пусконаладочные работы.



Тел: +7 (812) 336 43 04 (многоканальный)

Email: [org@lifeelectronics.ru](mailto:org@lifeelectronics.ru)