

### DESCRIPTION

The MP4034 is an offline regulator that provides accurate constant-current regulation. The LED driver circuit design is simplified by removing the opto-coupler and the secondary feedback components.

The MP4034 has an integrated 700V MOSFET. Its variable off-time control allows a flyback converter to operate in discontinuous conduction mode (DCM). The MP4034 also features complete protection functions such as VCC under-voltage lockout, over-voltage protection, over-temperature protection, and open-loop protection.

The MP4034's variable switching frequency provides natural spectrum shaping to smooth the EMI signature, which can reduce the EMI filter's size and cost.

### FEATURES

- Primary-Side-Control without Opto-coupler or Secondary Feedback Circuit
- Precise Constant Current Regulation
- Integrated 700V MOSFET with Minimal External Components
- Variable Off-Time and Peak-Current Control
- 550 $\mu$ A High-Voltage Current Source
- Up to 7W Output Power
- Over-Voltage Protection
- Over-Temperature Protection
- Open-Loop Protection
- Natural Spectrum Shaping for Improved EMI Signature
- Low Cost and Simple External circuit
- SOIC8-7A Package

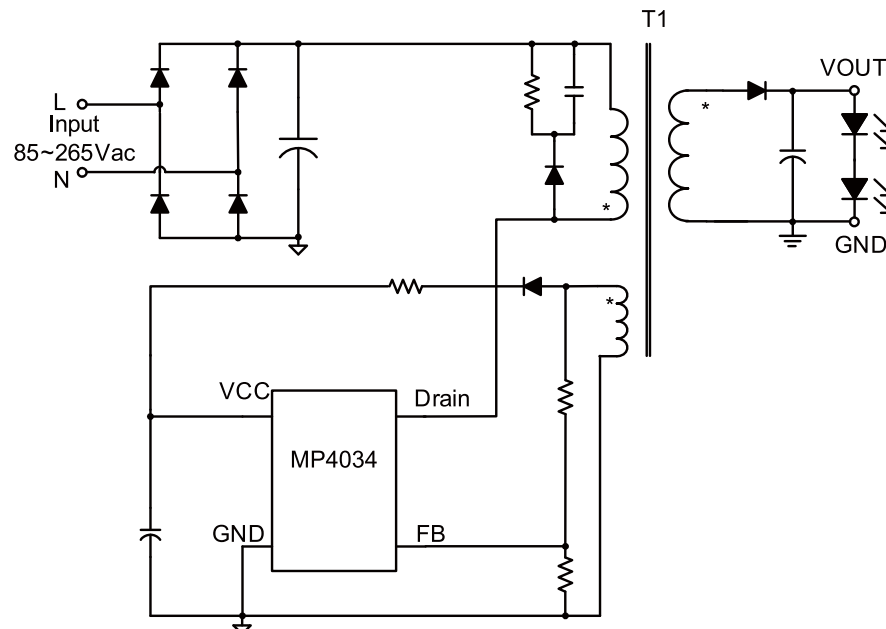
### APPLICATIONS

- Offline LED Driver

All MPS parts are lead-free and adhere to the RoHS directive. For MPS green status, please visit MPS website under Products, Quality Assurance page.

"MPS" and "The Future of Analog IC Technology", are Registered Trademarks of Monolithic Power Systems, Inc.

### TYPICAL APPLICATION

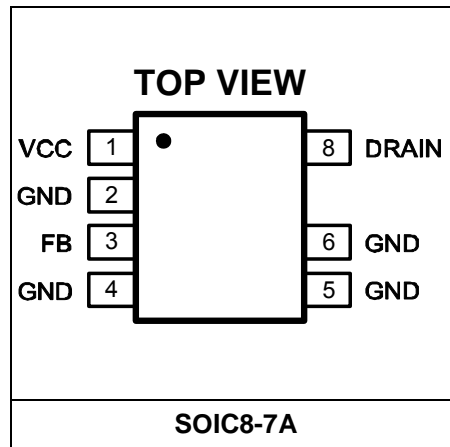


### ORDERING INFORMATION

Part Number*	Package	Top Marking
MP4034GS	SOIC8-7A	MP4034

\* For Tape & Reel, add suffix -Z (e.g. MP4034GS-Z);

### PACKAGE REFERENCE



#### ABSOLUTE MAXIMUM RATINGS <sup>(1)</sup>

Drain to GND .....	-0.7V to 700V
VCC to GND .....	-0.3V to 30V
FB Input.....	-0.7V to 10V
Continuous Power Dissipation ( $T_A = +25^{\circ}\text{C}$ ) <sup>(2)</sup>	
SOIC8-7A.....	1.3W
Junction Temperature .....	150°C
Lead Temperature .....	260°C
Storage Temperature.....	-60°C to +150°C
ESD Capability Human Body Mode .....	2.0kV
ESD Capability Machine Mode .....	200V

#### Recommended Operating Conditions <sup>(3)</sup>

Operating VCC range .....	6.6V to 28V
Operating Junction Temp. ( $T_J$ ). .....	-40°C to +125°C

Thermal Resistance <sup>(4)</sup>	$\theta_{JA}$	$\theta_{JC}$
SOIC8-7A .....	76 .....	45 ... °C/W

#### Notes:

- 1) Exceeding these ratings may damage the device.
- 2) The maximum allowable power dissipation is a function of the maximum junction temperature  $T_J$  (MAX), the junction-to-ambient thermal resistance  $\theta_{JA}$ , and the ambient temperature  $T_A$ . The maximum allowable continuous power dissipation at any ambient temperature is calculated by  $P_D$  (MAX) =  $(T_J$  (MAX) -  $T_A$ ) /  $\theta_{JA}$ . Exceeding the maximum allowable power dissipation will cause excessive die temperature, and the regulator will go into thermal shutdown. Internal thermal shutdown circuitry protects the device from permanent damage.
- 3) The device is not guaranteed to function outside of its operating conditions.
- 4) Measured on JESD51-7, 4-layer PCB.

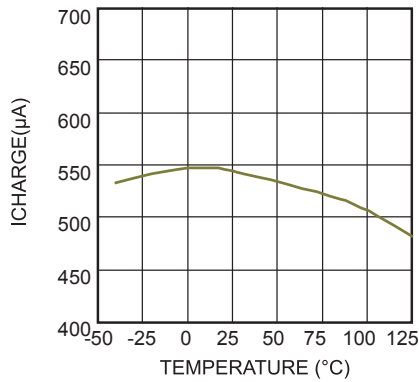
## ELECTRICAL CHARACTERISTICS

$V_{CC} = 15V$ ,  $T_A = 25^{\circ}C$ , unless otherwise noted.

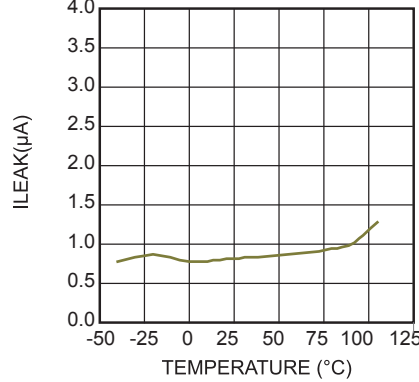
Parameter	Symbol	Condition	Min	Typ	Max	Units
<b>Supply Voltage Management (VCC Pin)</b>						
$V_{CC}$ ON threshold	$V_{CCH}$		16.8	17.3	17.8	V
$V_{CC}$ OFF threshold	$V_{CCL}$		6	6.3	6.6	V
$V_{CC}$ operating voltage			6.6		28	V
Quiescent current	$I_Q$	At no load condition, $V_{CC}=20V$		360	410	$\mu A$
Operating current	$I_{OP}$	60kHz, $V_{CC}=20V$		500		$\mu A$
Leakage current from VCC Pin	$I_{Leak\_VCC}$	$V_{CC}=0V \rightarrow 16V$ , Drain float		0.1	1	$\mu A$
<b>Internal MOSFET (Drain Pin)</b>						
Break down voltage	$V_{BRDSS}$	$V_{CC}=20V$ , $V_{FB}=7V$	700			V
Supply Current from Drain Pin	$I_{Charge}$	$V_{CC}=4V$ , $V_{Drain}=100V$	450	550	750	$\mu A$
Leakage current from Drain Pin	$I_{Leak\_Drain}$	$V_{DS}=500V_{DC}$		1	10	$\mu A$
On-state resistance	$R_{ON}$	$I_D=10mA$ , $T_J=20$ degree		10	13	$\Omega$
<b>Internal Current Sense</b>						
Current Limit	$I_{Limit}$	$V_{FB}=-0.5V$	365	380	395	mA
Leading-edge blanking	$t_{LEB}$		230	300	370	ns
<b>Feedback input (FB Pin)</b>						
FB pin input current	$I_{FB}$	$V_{FB}=4V$		0.2	0.5	$\mu A$
DCM detect threshold	$V_{DCM}$		80	120	160	mV
FB open-circuit threshold	$V_{FBOPEN}$		-0.22	-0.15	-0.08	V
First-level FB OVP threshold	$V_{FBOVP1}$		3.93	4	4.07	V
Second-level FB OVP threshold	$V_{FBOVP2}$		6.2	6.35	6.5	V
OVP sampling delay	$t_{OVP}$			3.5		$\mu s$
<b>Thermal Shutdown</b>						
Thermal shutdown threshold				150		$^{\circ}C$
Thermal shutdown recovery threshold				120		$^{\circ}C$

## TYPICAL CHARACTERISTICS

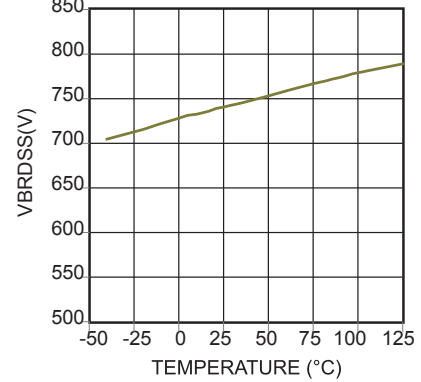
**Charge Current vs. Junction Temperature**



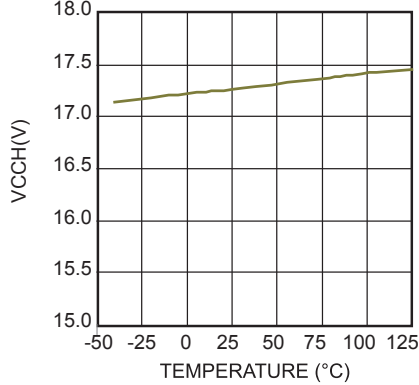
**Leakage Current vs. Junction Temperature**



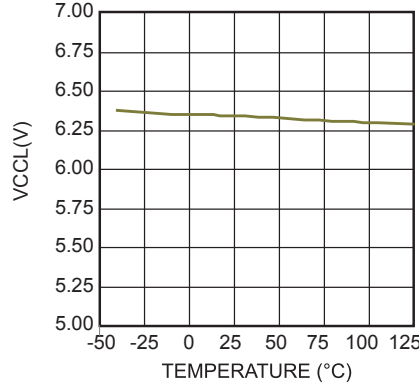
**Breakdown Voltage vs. Junction Temperature**



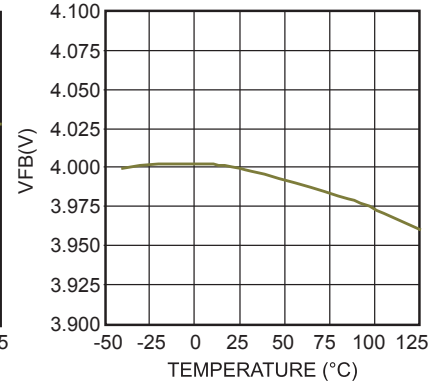
**VCC ON Threshold vs. Junction Temperature**



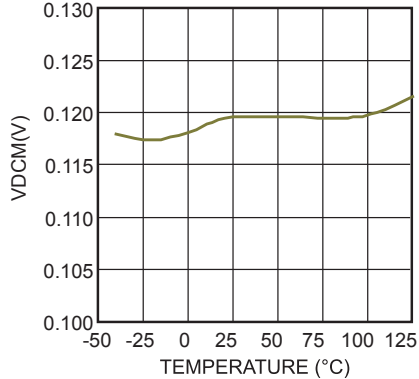
**VCC OFF Threshold vs. Junction Temperature**



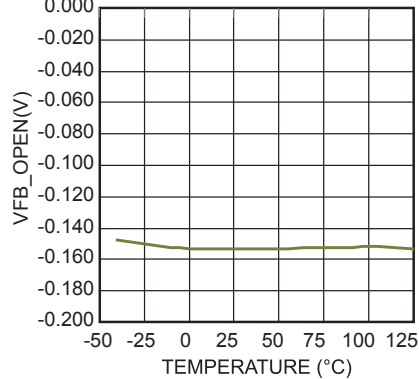
**First-Level OVP Threshold vs. Junction Temperature**



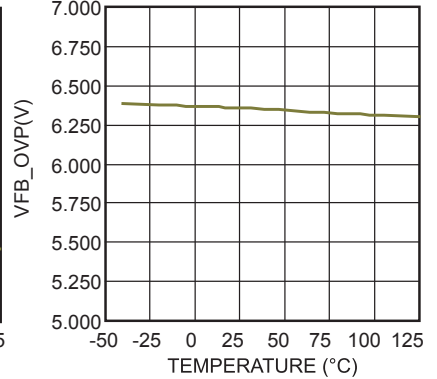
**DCM Detect Threshold vs. Temperature Chart**



**FB Open Circuit Threshold vs. Junction Temperature**

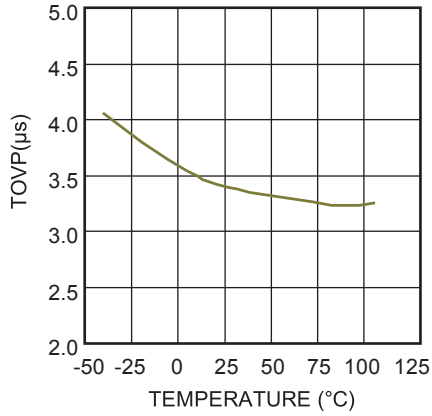


**Second-Level OVP Threshold vs. Junction Temperature**

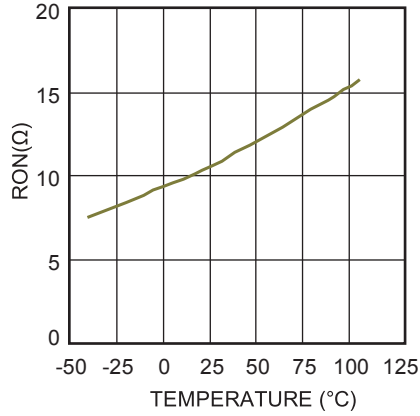


**TYPICAL CHARACTERISTICS (continued)**

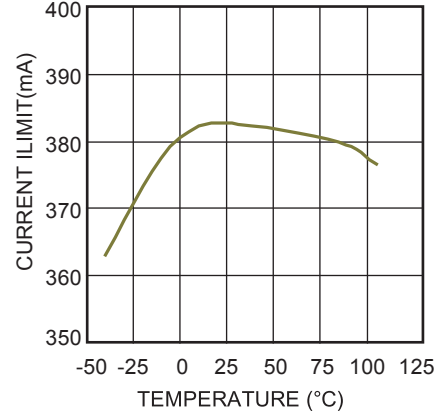
**OVP Sample Delay vs. Junction Temperature**



**On State Resistance vs. Junction Temperature**



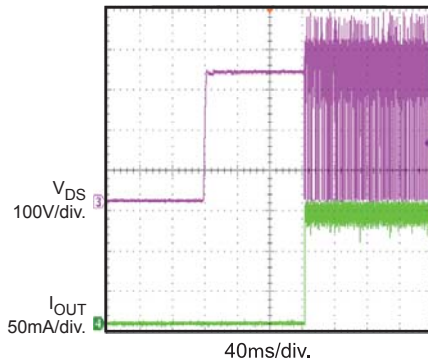
**Current I<sub>L</sub>Limit vs. Junction Temperature**



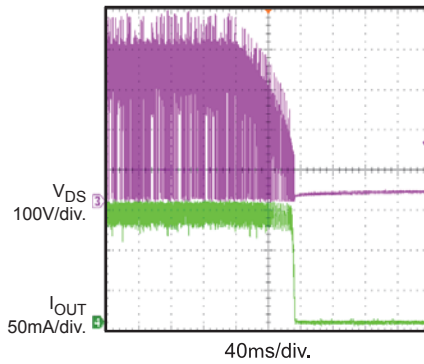
## TYPICAL PERFORMANCE CHARACTERISTICS

Performance waveforms are tested on the evaluation board of the Design Example section.  
 $V_{IN} = 230VAC$ ,  $V_{OUT} = 40V$ ,  $I_{OUT} = 0.13A$ ,  $L = 1.2mH$ ,  $T_A = 25^\circ C$ , unless otherwise noted.

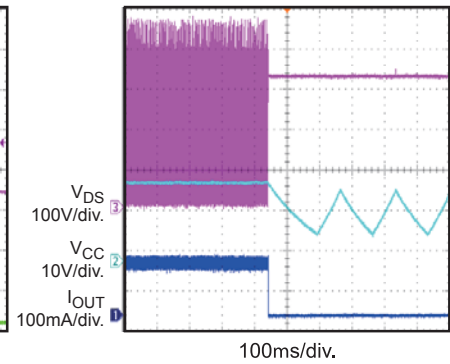
### Input Power Startup



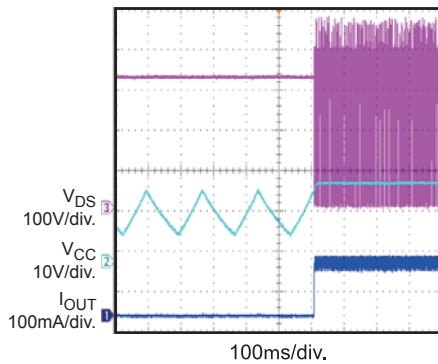
### Input Power Shut Down



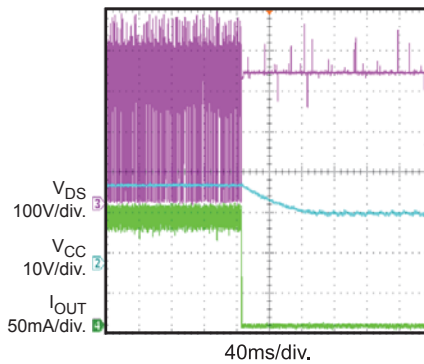
### OCP Entry



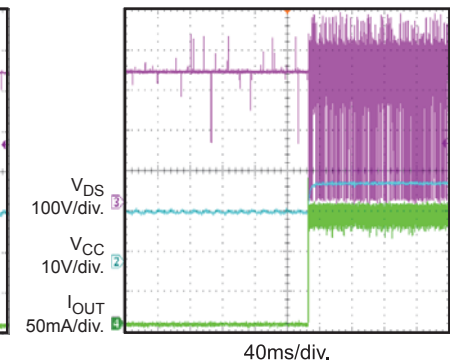
### OCP Recovery



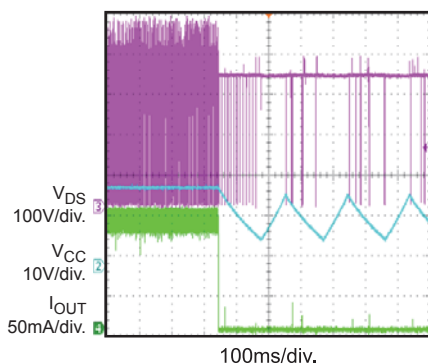
### OVP Entry



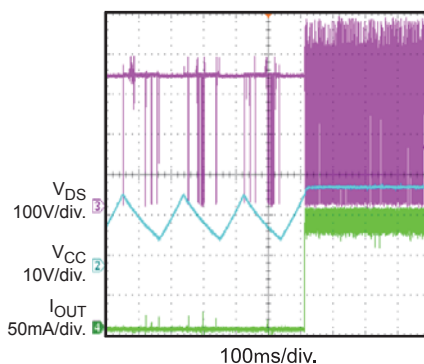
### OVP Recovery



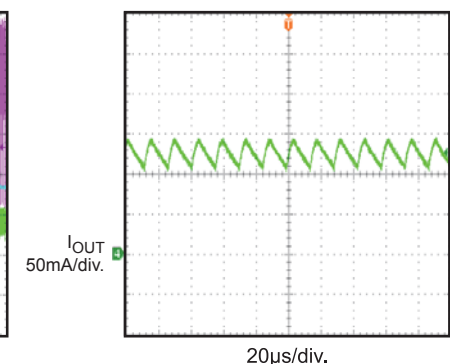
### SCP Entry



### SCP Recovery



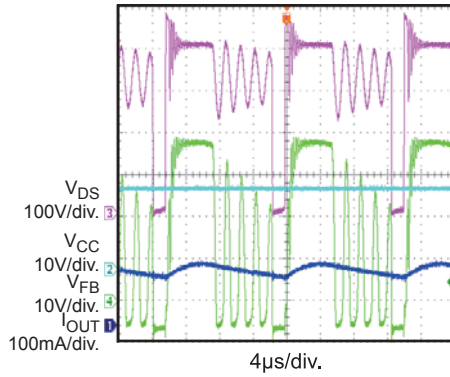
### Output Current Ripple



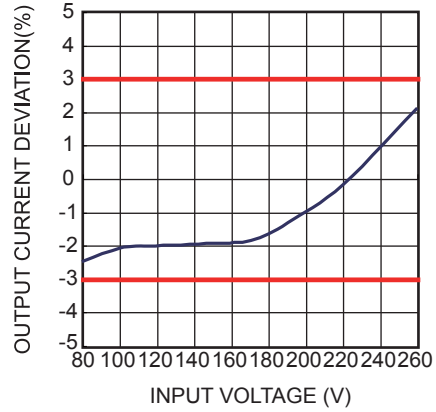
**TYPICAL PERFORMANCE CHARACTERISTICS (continued)**

Performance waveforms are tested on the evaluation board of the Design Example section.  
 $V_{IN} = 230VAC$ ,  $V_{OUT} = 40V$ ,  $I_{OUT} = 0.13A$ ,  $L = 1.2mH$ ,  $T_A = 25^{\circ}C$ , unless otherwise noted.

**Normal Operation**



**Output Current Regulation**



## PIN FUNCTIONS

SOIC8-7A Pin #	Name	Description
1	VCC	Supply. An internal high-voltage current source charges VCC voltage to $V_{CCH}$ to start the IC. The internal high-voltage current source will also turn on when $V_{CC}$ falls below $V_{CCL}$ to charge VCC. Connect a 0.1 $\mu$ F ceramic decoupling capacitor as close as possible to this pin.
3	FB	Feedback. Controls the OVP function. If $V_{FB}=4.0V$ , the first-level OVP triggers and output voltage remains constant. If $V_{FB}=6.35V$ , the second-level OVP triggers, switch immediately shuts off, and IC restarts.
2, 4, 5, 6	GND	Ground.
8	Drain	Internal MOSFET Drain. Input for the startup high-voltage current source.



FUNCTIONAL BLOCK DIAGRAM

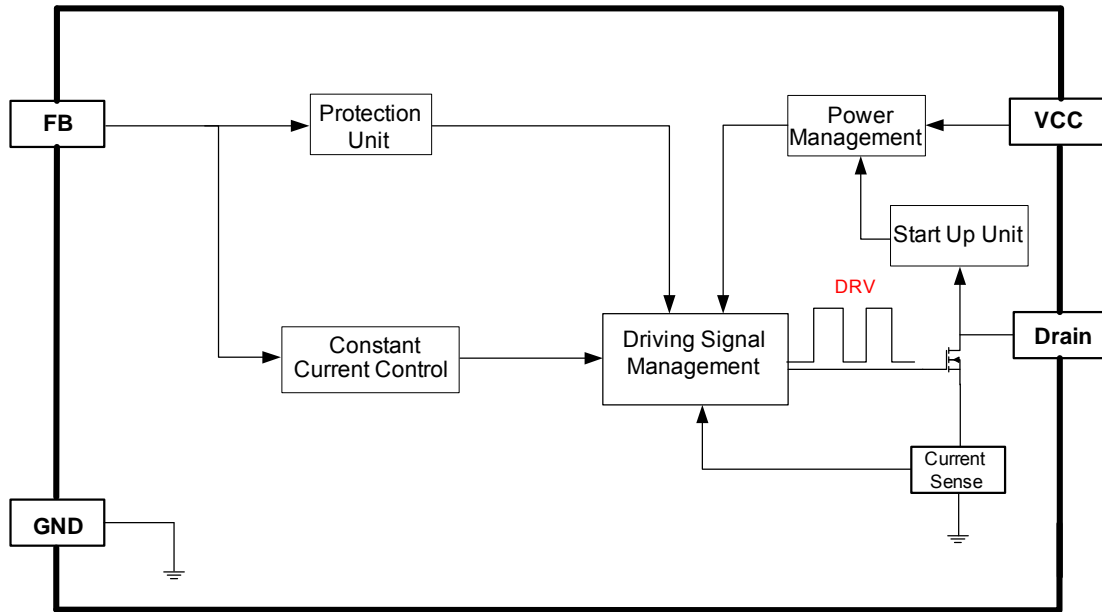
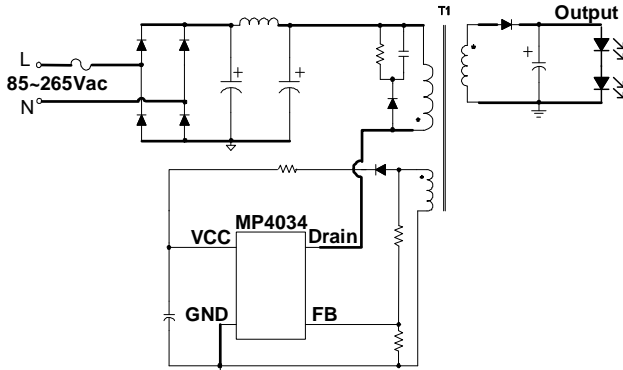


Figure 1: Functional Block Diagram

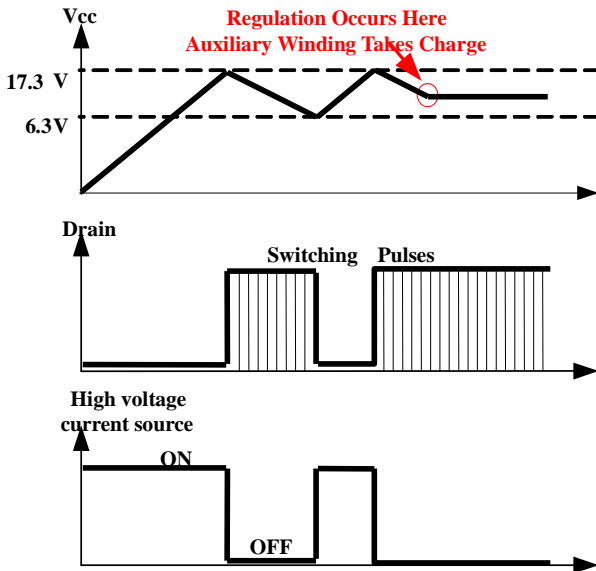
**OPERATION**



**Figure 2: Simplified Flyback Converter**

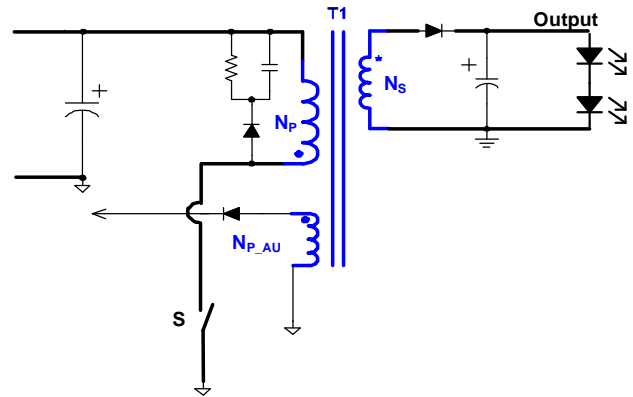
**Startup**

Initially, the IC is self-supplying through the internal high-voltage current source, which is drawn from the Drain pin. The internal high-voltage current source will turn off for better efficiency when  $V_{CC}$  reaches the  $V_{CC}$  ON threshold. Then the transformer’s auxiliary winding takes over as the power source. When  $V_{CC}$  falls below the  $V_{CC}$  OFF threshold, the IC stops switching and the internal high-voltage current source turns on again. See Figure 3 for the start-up waveform.



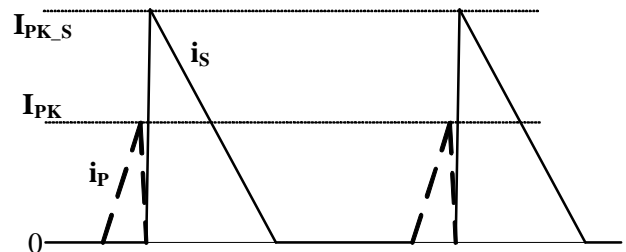
**Figure 3: VCC UVLO**

**Transformer Design**



**Figure 4: Isolated Flyback LED Driver**

The MP4034 ensures that the circuit operates in discontinues conduction mode (DCM). When the IC internal MOSFET turns on, the current ( $i_p$ ) flowing through transformer’s primary-side winding ( $N_p$ ) increases linearly until it reaches its peak current limit ( $I_{PK}$ )



**Figure 5: Current Waveform**

Assume switching frequency is  $f_s$ , the power stored in the inductor is given by:

$$P = \frac{1}{2} L_M \times I_{PK}^2 \times f_S$$

Then inductance of coupling inductor is then:

$$L_M = \frac{2 \times P_O}{I_{PK}^2 \times f_S \times \eta}$$

Where  $P_O$  is output power and  $\eta$  is the estimated efficiency.

When MP4034’s internal switch turns off, the freewheeling current ( $i_s$ ) will flow through secondary-side diode and decrease linearly, as shown in Figure 5.

The relationship of peak current at ON period and OFF period is:

$$I_{PK\_S} = \frac{N_p}{N_s} \times I_{PK}$$

Where  $N_p$  is the number of primary winding turns, and  $N_s$  is the number of secondary winding turns.

The MP4034 detects the secondary side diode duty cycle by sampling the auxiliary winding voltage and generates a ZCD signal as shown in Figure 6.

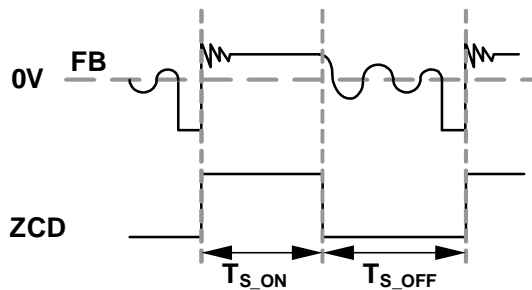


Figure 6: VFB and ZCD Waveforms

When the FB voltage is high—which means that the current is flowing through secondary-side diode—the ZCD signal goes high. Conversely, when the FB voltage is low—which means no current flows through the secondary-side diode—the ZCD signal goes low, meaning the secondary-side diode duty cycle ( $D_s$ ) is:

$$D_s = \frac{T_{S\_ON}}{T_{S\_ON} + T_{S\_OFF}}$$

Then the average output current is:

$$I_{OUT} = \frac{1}{2} \times I_{PK\_S} \times D_s$$

$$= \frac{1}{2} \times \frac{N_p}{N_s} \times I_{PK} \times \frac{T_{S\_ON}}{T_{S\_ON} + T_{S\_OFF}}$$

The MP4034 keeps  $D_s$  at 0.4. Thus the output current is:

$$I_{OUT} = \frac{1}{2} \times \frac{N_p}{N_s} \times I_{PK} \times D_s = \frac{1}{5} \times \frac{N_p}{N_s} \times I_{PK}$$

This provides enough information to design the transformer turn ratio.

**Leading-Edge Blanking**

Turning the power switch on induces a spike on the sense resistor. To avoid falsely terminating the switching pulse, the MP4034 includes a 300ns leading-edge blanking period. During this blanking period, the current sense comparator is disabled and the gate driver can not switch off.

**DCM Detection**

The MP4034 is designed to operate in discontinuous conduction mode (DCM). To avoid operating in continuous conduction mode (CCM), the MP4034 detects the falling edge of the FB input voltage with each cycle. If the chip does not detect a 120mV falling edge, it will stop switching.

**Over Voltage Protection**

The MP4034 has two levels of over-voltage protection based on the FB voltage.

In normal operation, MP4034 samples the FB pin voltage 3.5µs after the primary switch turns off, as shown in Figure 6.

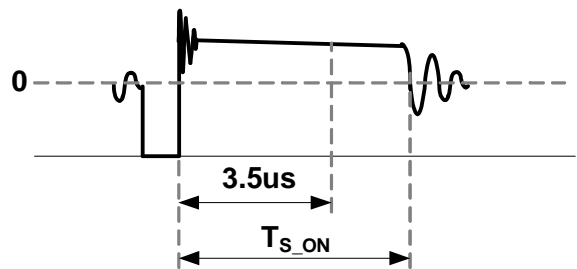


Figure 7: Auxiliary Voltage Waveform

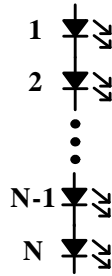
The relationship of output voltage and  $V_{FB}$  is :

$$V_{FB} = \frac{N_{P\_AU}}{N_s} \times \frac{R_{DOWN}}{R_{UP} + R_{DOWN}} \times (V_o + V_D)$$

Where  $V_D$  is the secondary-diode forward-drop voltage.

When the MP4034 detects that the FB voltage equals 4.0V, the first level OVP triggers. The switching frequency drops to maintain the output voltage at a constant value. If  $V_{FB}$  voltage exceeds 6.35V for 3.5µs, it will shut down immediately and discharge the VCC

voltage. When  $V_{CC}$  drops to UVLO, the MP4034 will restart.



**Figure 8: LED String**

Assume the forward voltage of one LED is  $V_F$  and the total number of LEDs on the string is  $N$ . So the output voltage can be calculated as  $N \times V_F$ . To ensure that OVP won't trigger during normal operation; the  $V_{FB}$  should not exceed  $V_{FB\text{OVP}1}$  (typical 4.0V). However, avoid a large output voltage when OVP occurs. So the voltage reflected on the FB pin should be:

$$V_{FB} = \frac{N_{P\_AU}}{N_S} \times \frac{R_{DOWN}}{R_{DOWN} + R_{UP}} \times (N \times V_F + V_D) = 0.85V_{FB\text{OVP}1}$$

**Open-Circuit Protection (OckP)**

The MP4034 has open-circuit protection (OckP). If the -0.15V falling edge of  $V_{FB}$  can not be monitored—which means the feedback loop is open—the MP4034 immediately shuts off the driving signals and enters hiccup mode. The MP4034 resumes normal operation when the fault has been removed.

**Thermal Shutdown (TSD)**

When the temperature of the IC exceeds 150°C, the over-temperature protection is enacted and the IC enters auto-recovery mode. When the temperature falls below 120°C, the IC resumes working.

## APPLICATION INFORMATION

### COMPONENT SELECTION

#### Input Filter

Input filter produces a DC source through the rectifier from the AC input power. Figure 9 shows the input filter and Figure 10 shows the typical DC bus voltage waveform.

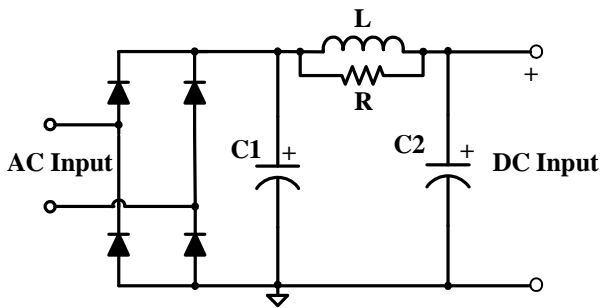


Figure 9: Input Filter

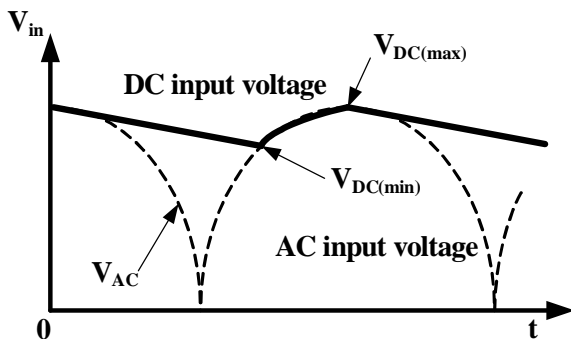


Figure 10: DC Input-Voltage Waveform

Bulk capacitors C1 and C2 filter the rectified AC. Inductor L forms a π filter with C1 and C2 to restrain the differential-mode EMI noise. The resistor (R) in parallel with the inductor (L) restrains the mid-frequency-band EMI noise. Normally, R is selected between 1kΩ and 10kΩ.

The DC input capacitors, C1 and C2, are usually 2μF/W to 3μF/W for the universal input condition. For a 230VAC single-range application, the capacitor can be half that value. Normally, the minimum DC voltage should not be too low to ensure the converter can supply the maximum power to the load which can be express as follows:

$$V_{DC(min)} \geq \frac{N_p}{N_s} \cdot (N \cdot V_F + V_D) \cdot \frac{D_s}{1 - D_s}$$

If the  $V_{DC(min)}$  can not satisfy this express, increase the value of the input capacitors to increase the  $V_{DC(min)}$ .

#### Output Diode

Use a Schottky diode because of its fast switching speed and low forward voltage drop for better efficiency.

If a lower average efficiency (3%-4%) is acceptable, replace the output diode with a PN-junction diode or other non-Schottky diode to lower costs.

#### Leakage Inductance

The transformer leakage inductance will decrease the system efficiency and affect the output current constant precision. The transformer structure should be optimized to improve the primary side and secondary side coupling and minimize the transformer leakage inductance of transformer. Aim for a leakage inductance that is less than 5% inductance.

#### RCD Snubber

The transformer leakage inductance causes the MOSFET drain voltage spike and the excessive ringing on the drain voltage waveform.

The RCD snubber circuit can limit this Drain voltage spike. Figure 11 shows the RCD snubber circuit.

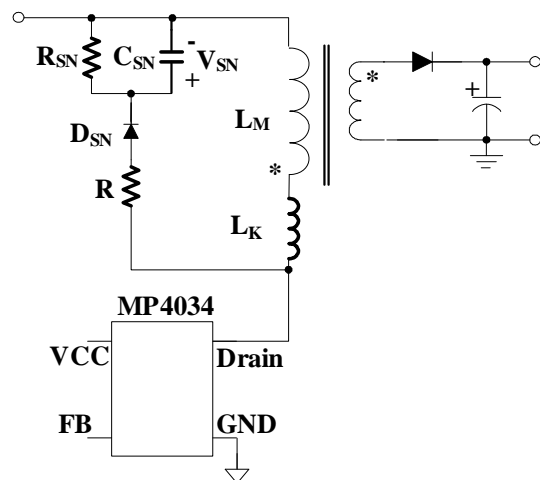


Figure 11: RCD Snubber

Select  $R_{SN}$  and  $C_{SN}$  for an acceptable voltage spike and better system operation.

The power dissipated in the snubber circuit is approximately:

$$P_{SN} = \frac{1}{2} \cdot L_K \cdot I_{PK}^2 \cdot \frac{V_{SN}}{V_{SN} - N_{PS} \times V_O} \times f_S$$

Where:

- $L_K$  is the leakage inductance,
- $V_{SN}$  is the clamp voltage,
- $N_{PS}$  is the turn ratio of primary and secondary side.

The power consumed in the snubber resistor ( $R_{SN}$ ), the resistor ( $R_{SN}$ ) is:

$$R_{SN} = \frac{V_{SN}^2}{P_{SN}}$$

The maximum ripple of the snubber capacitor voltage is:

$$\Delta V_{SN} = \frac{V_{SN}}{C_{SN} \cdot R_{SN} \cdot f_S}$$

Generally, a 15% ripple is reasonable. Use the previous equation to approximate  $C_{SN}$ .

The damping resistor (R) in series with the RCD has a relatively large value to prevent any excessive ringing voltage that can affect the EMI. Use a damping resistor of about 200Ω to 500Ω to limit the drain voltage ringing.

**Resistor Divider**

For better application performance, use a resistor divider with values in the range of 10kΩ to 100kΩ to limit noise from adjacent components on the FB pin. Connect a resistor with a value ranging from 1kΩ to 2kΩ from the FB pin to the resistor divider to limit substrate injection current effects, as shown in Figure 12.

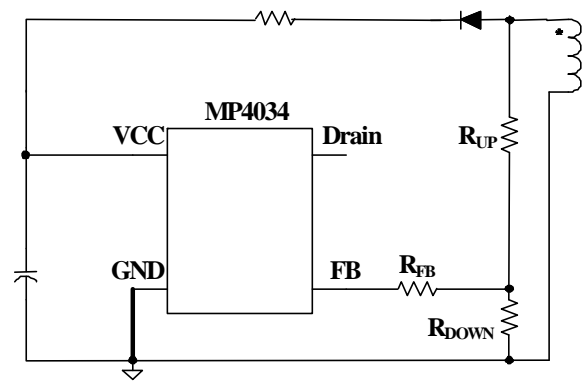


Figure 12: FB Pin in Series with ON Resistor

**Dummy Load**

A dummy load is required in open-output applications for good over-voltage protection. Use a dummy load of ~10mW for good load regulation.

**Maximum Switching Frequency**

Because of the parameter tolerance of the sampling detecting time and inductance tolerances, select a secondary-side-diode conduction time that exceeds 5.4μs as follows.

$$T_{S\_ON} = I_{PK} \cdot \frac{N_S \cdot L_M}{N_P \cdot (V_O + V_D)} > 5.4\mu s$$

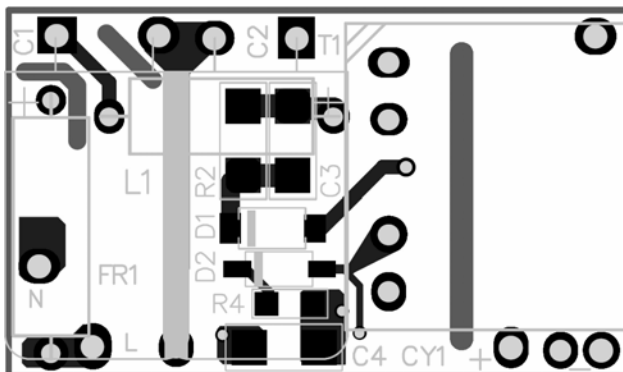
For high or low temperature operation, select a maximum switching frequency below 75kHz.

### PCB Layout Guide

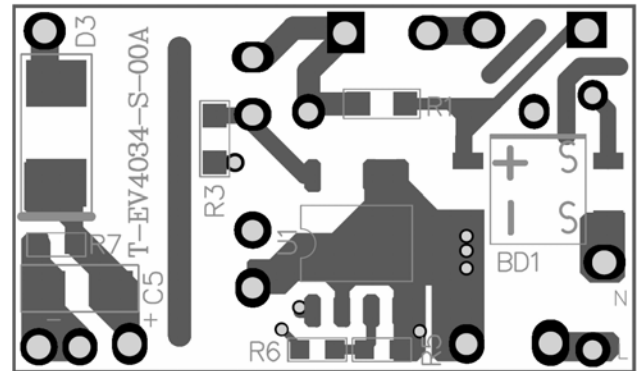
PCB layout is very important to achieve reliable operation, and good EMI and thermal performance. The use design guide as follows to help optimize performance.

1. Minimize the loop area formed by the input capacitor, the MP4034 drain-source, and the primary winding to reduce EMI noise.
2. The copper area connected to source pins acts as a heat sink. Provide a large copper area to improve the thermal performance.
3. Minimize the clamp circuit loop to reduce EMI.
4. Minimize the secondary loop area of the output diode and output filter to reduce the EMI noise. In addition, provide a sufficient copper area at the anode and cathode terminal of the output diode for heat dissipation.
5. Place the AC input away from the switching nodes to minimize the noise coupling that may bypass the input filter.
6. Place the bypass capacitor as close as possible to the IC and source.
7. Place the feedback resistors at the FB pin and minimize the feedback sampling loop area to minimize noise coupling.
8. Use a single point connection at the negative terminal of the input filter capacitor for the MP4034 source pin and bias winding return.

Figure 13 shows a layout example.



**Top Layer**



**Bottom Layer**

**Figure 13: PCB Layout**

### Design Example

Below are design examples following the application guidelines for the given specifications:

**Table 1: Design Example**

Example 1	
$V_{IN}$	85VAC-265VAC
$V_{OUT}$	40V
$I_{OUT}$	0.13A
Example 2	
$V_{IN}$	85VAC-265VAC
$V_{OUT}$	10V
$I_{OUT}$	0.35A

Figure 14 and Figure 15 show the detailed isolated application, while Figure 16 and Figure 17 show the detailed non-isolated application. These examples were used in the Typical Performance Characteristics section. For more applications, please refer to the related evaluation board datasheets.

TYPICAL APPLICATION CIRCUITS

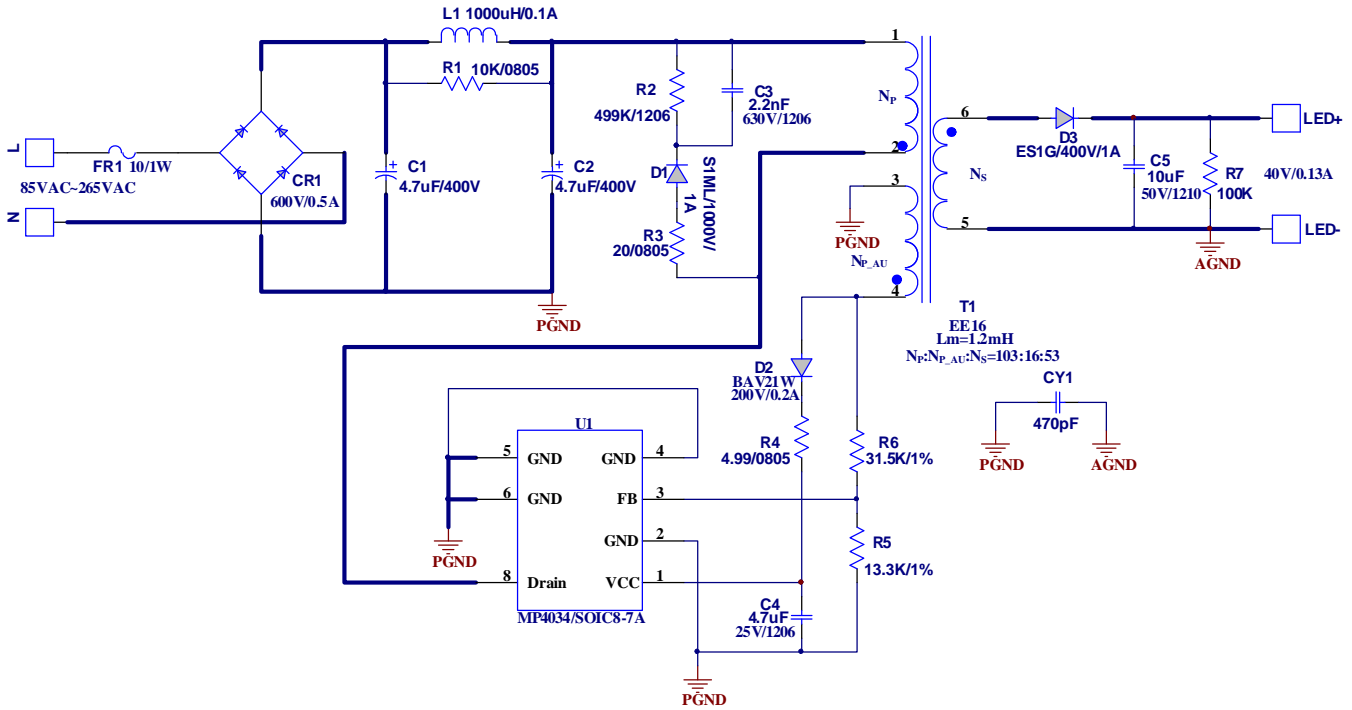


Figure 14: Typical Application Example  
 Universal Input, Driving 14 LEDs in Series, 130mA LED Current, 6W Isolation Flyback Converter

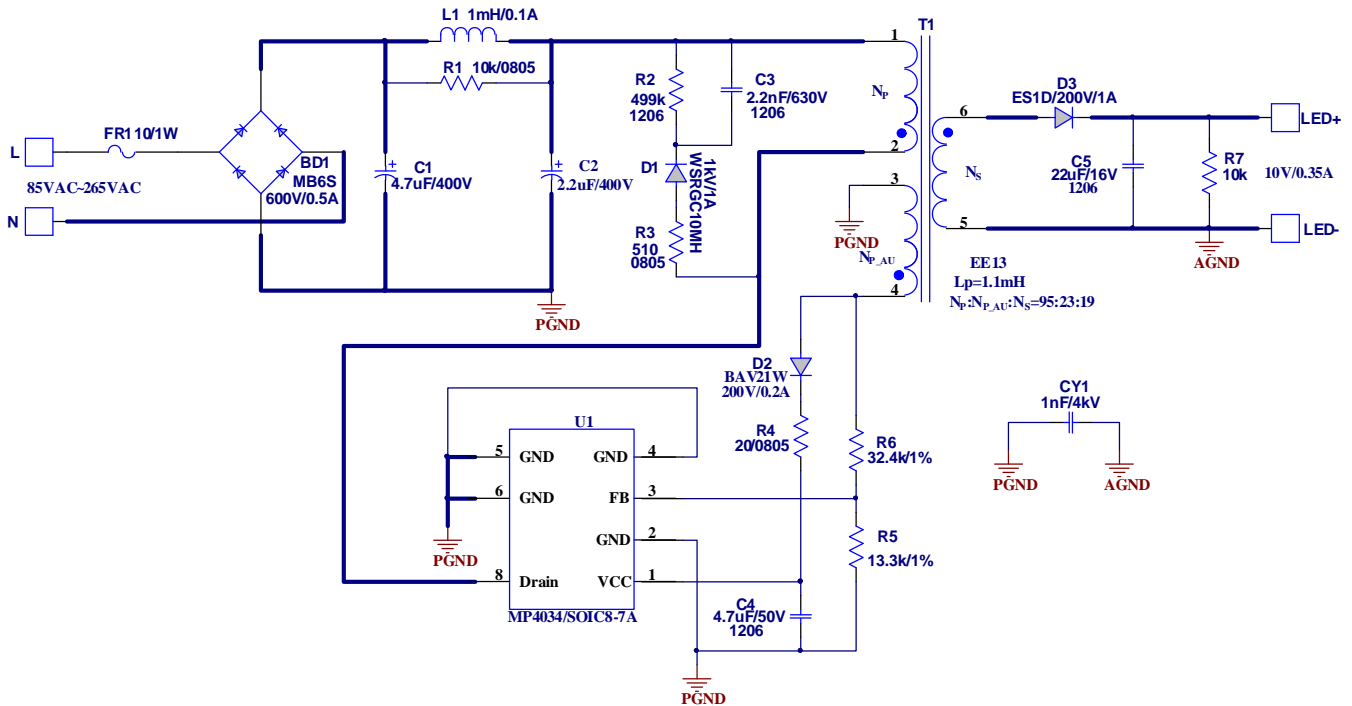
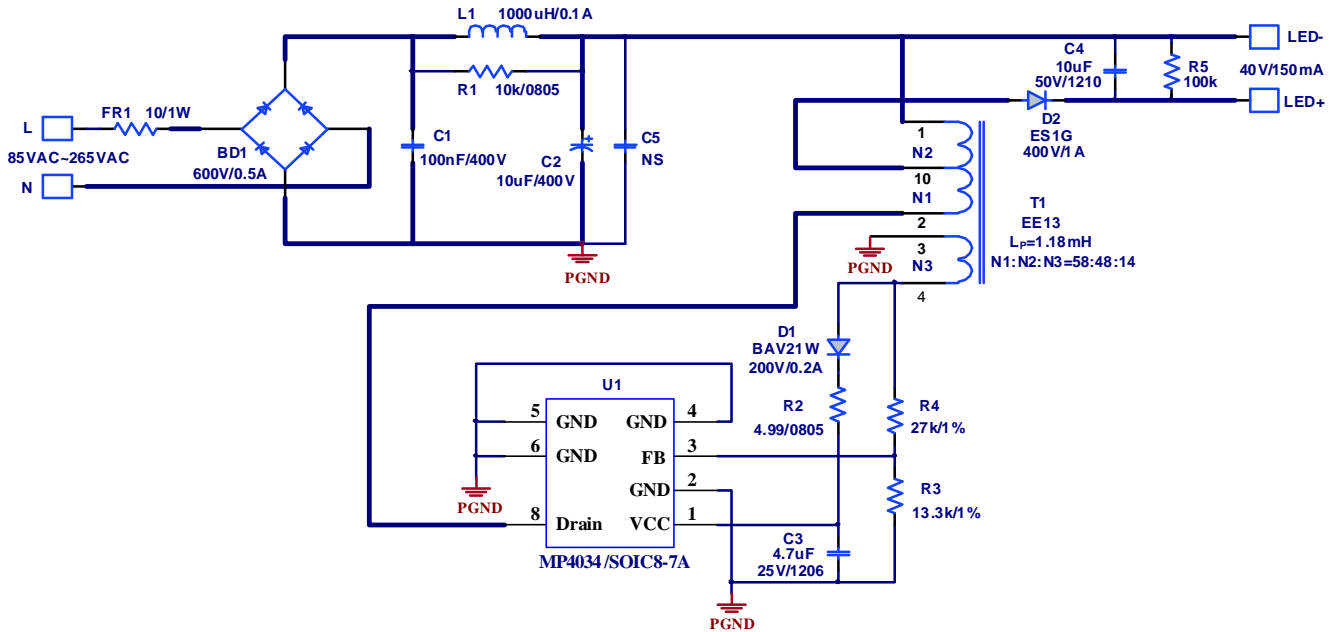
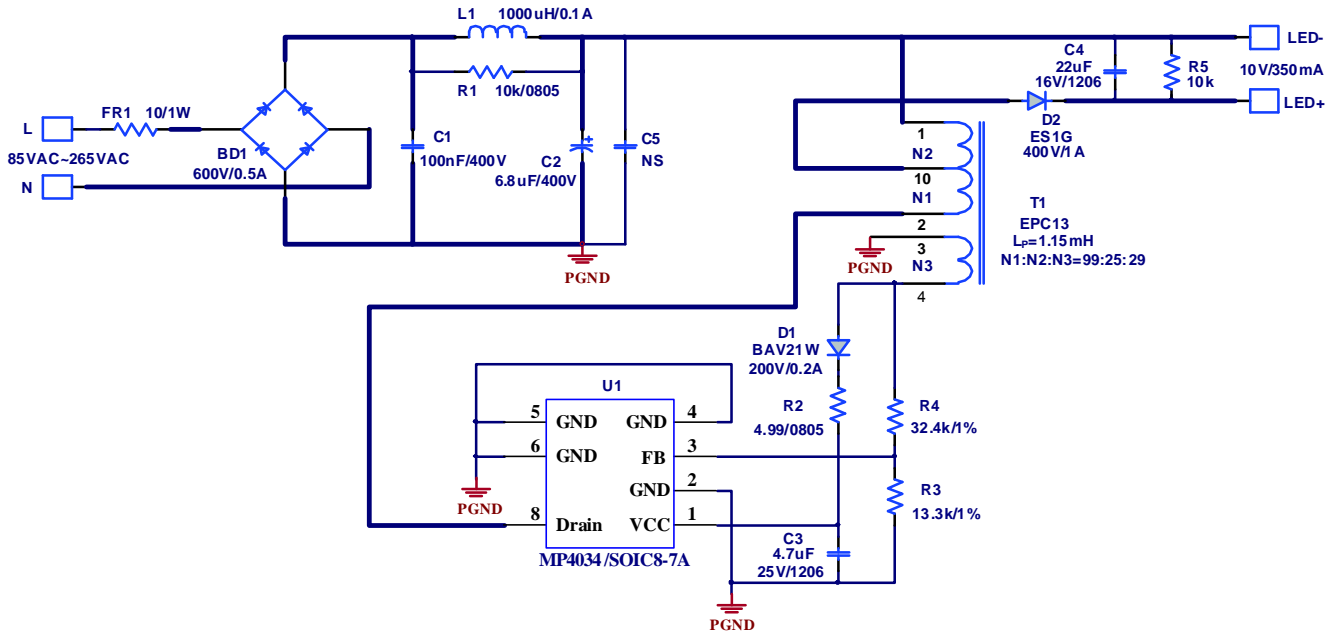


Figure 15: Typical Application Example  
 Universal Input, Driving 3 LEDs in Series, 350mA LED Current, 3.5W Isolation Flyback Converter



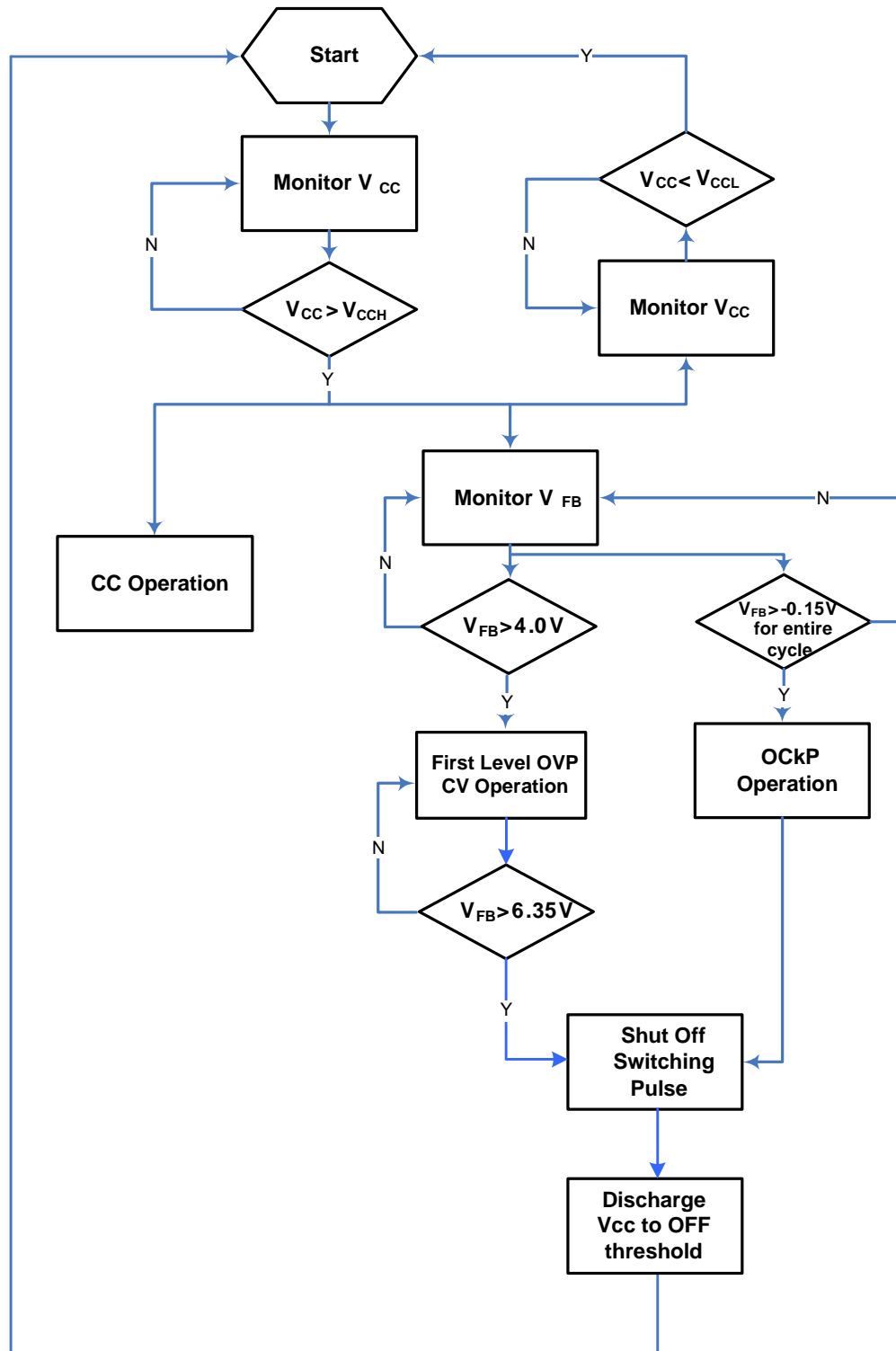


**Figure 16: Typical Application Example**  
 Universal Input, Driving 14 LEDs in Series, 150mA LED Current, 6W Non-isolated Buck-Boost Converter



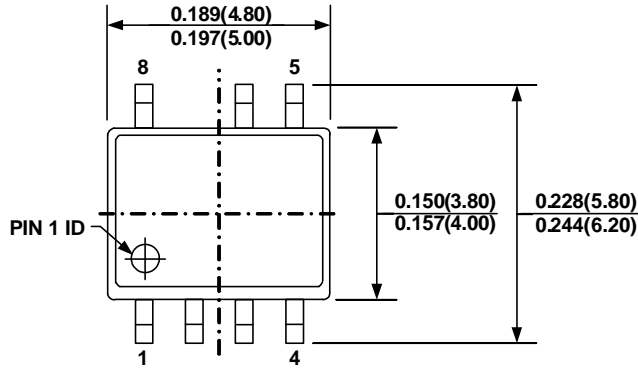
**Figure 17: Typical Application Example**  
 Universal Input, Driving 3 LEDs in Series, 350mA LED Current, 3.5W Non-isolated Buck-Boost Converter

FLOW CHART

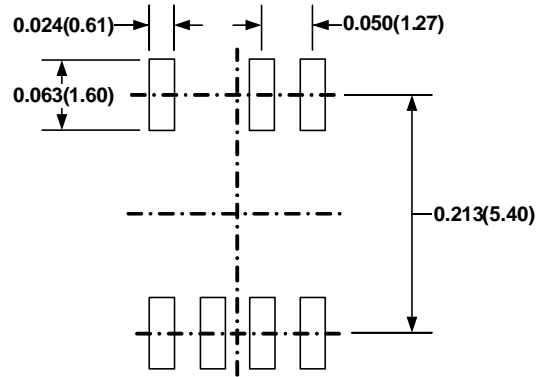


# PACKAGE INFORMATION

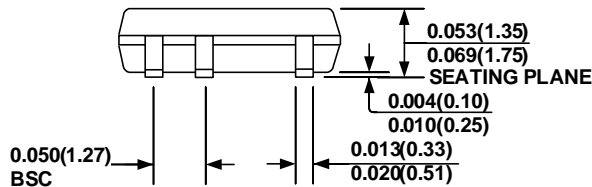
## SOIC8-7A



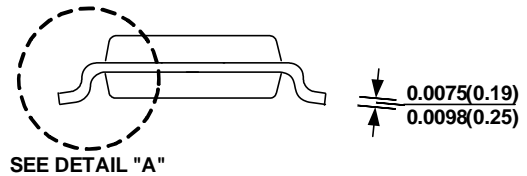
**TOP VIEW**



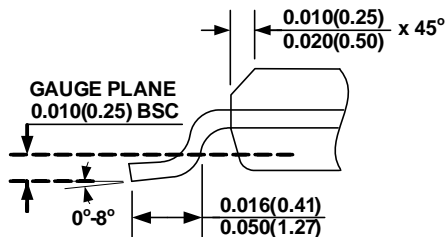
**RECOMMENDED LAND PATTERN**



**FRONT VIEW**



**SIDE VIEW**



**DETAIL "A"**

**NOTE:**

- 1) CONTROL DIMENSION IS IN INCHES DIMENSION IN BRACKET IS IN MILLIMETERS
- 2) PACKAGE LENGTH DOES NOT INCLUDE MOLD FLASH, PROTRUSIONS OR GATE BURRS
- 3) PACKAGE WIDTH DOES NOT INCLUDE INTERLEAD FLASH OR PROTRUSIONS.
- 4) LEAD COPLANARITY (BOTTOM OF LEADS AFTER FORMING) SHALL BE 0.004" INCHES MAX
- 5) JEDEC REFERENCE IS MS-012
- 6) DRAWING IS NOT TO SCALE

**NOTICE:** The information in this document is subject to change without notice. Users should warrant and guarantee that third party Intellectual Property rights are not infringed upon when integrating MPS products into any application. MPS will not assume any legal responsibility for any said applications.

Компания «Life Electronics» занимается поставками электронных компонентов импортного и отечественного производства от производителей и со складов крупных дистрибьюторов Европы, Америки и Азии.

С конца 2013 года компания активно расширяет линейку поставок компонентов по направлению коаксиальный кабель, кварцевые генераторы и конденсаторы (керамические, пленочные, электролитические), за счёт заключения дистрибьюторских договоров

Мы предлагаем:

- Конкуренспособные цены и скидки постоянным клиентам.
- Специальные условия для постоянных клиентов.
- Подбор аналогов.
- Поставку компонентов в любых объемах, удовлетворяющих вашим потребностям.
- Приемлемые сроки поставки, возможна ускоренная поставка.
- Доставку товара в любую точку России и стран СНГ.
- Комплексную поставку.
- Работу по проектам и поставку образцов.
- Формирование склада под заказчика.
- Сертификаты соответствия на поставляемую продукцию (по желанию клиента).
- Тестирование поставляемой продукции.
- Поставку компонентов, требующих военную и космическую приемку.
- Входной контроль качества.
- Наличие сертификата ISO.

В составе нашей компании организован Конструкторский отдел, призванный помогать разработчикам, и инженерам.

Конструкторский отдел помогает осуществить:

- Регистрацию проекта у производителя компонентов.
- Техническую поддержку проекта.
- Защиту от снятия компонента с производства.
- Оценку стоимости проекта по компонентам.
- Изготовление тестовой платы монтаж и пусконаладочные работы.



Тел: +7 (812) 336 43 04 (многоканальный)

Email: [org@lifeelectronics.ru](mailto:org@lifeelectronics.ru)