

MAX3095/MAX3096

±15kV ESD-Protected, 10Mbps, 3V/5V, Quad RS-422/RS-485 Receivers

General Description

The MAX3095/MAX3096 are rugged, low-power, quad, RS-422/RS-485 receivers with electrostatic discharge (ESD) protection for use in harsh environments. All receiver inputs are protected to ±15kV using IEC 1000-4-2 Air-Gap Discharge, ±8kV using IEC 1000-4-2 Contact Discharge, and ±15kV using the Human Body Model. The MAX3095 operates from a +5V supply, while the MAX3096 operates from a +3.3V supply. Receiver propagation delays are guaranteed to within ±8ns of a predetermined value, thereby ensuring device-to-device matching across production lots.

Complementary enable inputs can be used to place the devices in a 1nA low-power shutdown mode in which the receiver outputs are high impedance. When active, these receivers have a fail-safe feature that guarantees a logic-high output if the input is open circuit. They also feature a quarter-unit-load input impedance that allows 128 receivers on a bus.

The MAX3095/MAX3096 are pin-compatible, low-power upgrades to the industry-standard '26LS32. They are available in a space-saving QSOP package.

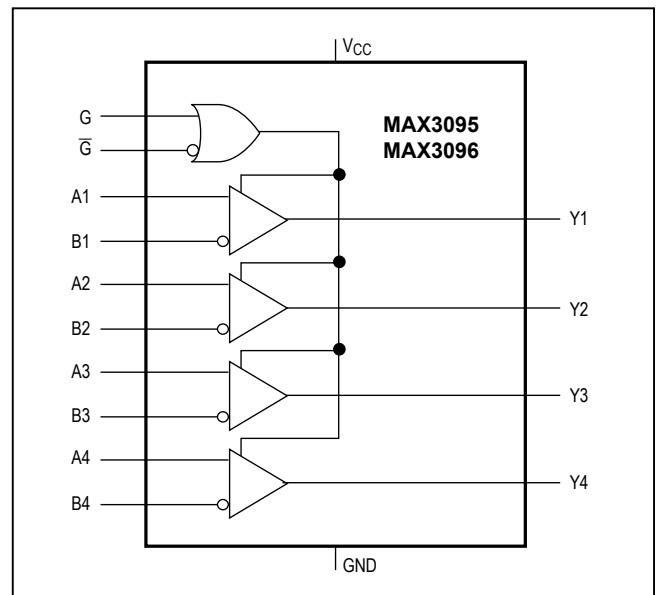
Applications

- Telecommunications Equipment
- Rugged RS-422/RS-485/RS-423 Bus Receiver
- Receivers for ESD-Sensitive Applications
- Level Translators

Features

- ESD Protection:
 - ±15kV—IEC 1000-4-2, Air-Gap Discharge
 - ±8kV—IEC 1000-4-2, Contact Discharge
 - ±15kV—Human Body Model
- Guaranteed Propagation-Delay Tolerance Between All ICs:
 - ±8ns (MAX3095)
 - ±10ns (MAX3096)
- Single +3V Operation (MAX3096)
- Single +5V Operation (MAX3095)
- 16-Pin QSOP (8-pin SO footprint)
- 10Mbps Data Rate
- Allow up to 128 Receivers on the Bus
- 1nA Low-Power Shutdown Mode
- 2.4mA Operating Supply Current
- Pin-Compatible Upgrades to '26LS32

Functional Diagram



MAX3095/MAX3096

±15kV ESD-Protected, 10Mbps, 3V/5V,
Quad RS-422/RS-485 Receivers

Absolute Maximum Ratings

Supply Voltage (V_{CC}).....7V
 Control Input Voltage (G, \bar{G}).....-0.3V to ($V_{CC} + 0.3V$)
 Receiver Input Voltage (A_-, B_-).....±25V
 Receiver Output Voltage (Y_-)-0.3V to ($V_{CC} + 0.3V$)
 Continuous Power Dissipation ($T_A = +70^\circ\text{C}$)
 16-Pin Plastic DIP (derate 10.5mW/°C above +70°C)... 762mW
 16-Pin SO (derate 8.7mW/°C above +70°C).....696mW
 16-Pin QSOP (derate 8.3mW/°C above +70°C).....667mW

Operating Temperature Ranges
 MAX309_C_ _0°C to +70°C
 MAX309_E_ _-40°C to +85°C
 Storage Temperature Range-65°C to +160°C
 Lead Temperature (soldering, 10s)+300°C
 Maximum Junction Temperature+150°C

Stresses beyond those listed under "Absolute Maximum Ratings" may cause permanent damage to the device. These are stress ratings only, and functional operation of the device at these or any other conditions beyond those indicated in the operational sections of the specifications is not implied. Exposure to absolute maximum rating conditions for extended periods may affect device reliability.

DC Electrical Characteristics—MAX3095

($V_{CC} = 5V \pm 5\%$, $T_A = T_{MIN}$ to T_{MAX} , unless otherwise noted. Typical values are at $T_A = +25^\circ\text{C}$.) (Note 1)

| PARAMETER | SYMBOL | CONDITIONS | MIN | TYP | MAX | UNITS |
|--|-----------|---|----------------|-------|------|-------|
| Receiver Differential Input Threshold | V_{TH} | $-7V \leq V_{CM} \leq 12V$ | -200 | | 200 | mV |
| Receiver Input Hysteresis | | $V_{CM} = 0V$ | | 45 | | mV |
| Receiver Input Current (A_-, B_-) | I_{IN} | $V_{CC} = 0V$ or 5.25V | | | 250 | μA |
| | | $V_{IN} = 12V$ $V_{IN} = -7V$ | | | -200 | |
| Enable Input Current (G, \bar{G}) | | | | | ±1 | μA |
| Enable Input High Voltage (G, \bar{G}) | V_{IH} | | 2.0 | | | V |
| Enable Input Low Voltage (G, \bar{G}) | V_{IL} | | | | 0.8 | V |
| Receiver Output High Voltage | V_{OH} | $I_{OUT} = -4mA, V_{ID} = 200mV,$ $G = V_{CC}$ or $\bar{G} = GND$, Figure 1 | $V_{CC} - 1.5$ | | | V |
| Receiver Output Low Voltage | V_{OL} | $I_{OUT} = 4mA, V_{ID} = -200mV,$ $G = V_{CC}$ or $\bar{G} = GND$, Figure 1 | | | 0.4 | V |
| Three-State Current at Receiver Output | I_{OZR} | $0 \leq V_{OUT} \leq V_{CC}, G = GND$ and $\bar{G} = V_{CC}$ | | | ±1 | μA |
| Output Short-Circuit Current | I_{OSR} | $0 \leq V_{OUT} \leq V_{CC}, G = V_{CC}$ or $\bar{G} = GND$ | ±7 | | ±75 | mA |
| Receiver Input Resistance | R_{IN} | $-7V \leq V_{CM} \leq 12V$ | 48 | | | kΩ |
| Supply Current | I_{CC} | No load, $G = V_{CC}$ or $\bar{G} = GND$ | | 2.4 | 3.5 | mA |
| | | $G = GND$ and $\bar{G} = V_{CC}$ | | 0.001 | 10 | μA |
| ESD Protection (Note 2) | | Human Body Model | | ±15 | | kV |
| | | IEC 1000-4-2 (Air-Gap Discharge) | | ±15 | | |
| | | IEC 1000-4-2 (Contact Discharge) | | ±8 | | |

Switching Characteristics—MAX3095(V_{CC} = 5V ±5%, T_A = T_{MIN} to T_{MAX}, unless otherwise noted. Typical values are at T_A = +25°C.)

| PARAMETER | SYMBOL | CONDITIONS | MIN | TYP | MAX | UNITS | | |
|---|-------------------------------------|---|-------------------------|------------------------|-----|-------|----|----|
| Input-to-Output Propagation Delay | t _{PLH} , t _{PHL} | V _{CC} = 5V ±5%, T _A = T _{MIN} to T _{MAX} | 65 | | 98 | ns | | |
| | | V _{ID} = 3V, Figure 2 | V _{CC} = 5.25V | T _A = +85°C | 78 | | 86 | 94 |
| | | | | T _A = +25°C | 71 | | 79 | 87 |
| | | | | T _A = -40°C | 65 | | 73 | 81 |
| | | V _{ID} = 3V, Figure 2 | V _{CC} = 4.75V | T _A = +85°C | 82 | | 90 | 98 |
| | | | | T _A = +25°C | 74 | | 82 | 90 |
| T _A = -40°C | 68 | | | 76 | 84 | | | |
| Device-to-Device Propagation-Delay Matching | | V _{ID} = 3V, Figure 2, matched conditions | | | 16 | ns | | |
| Propagation-Delay Skew (t _{PLH} - t _{PHL}) | t _{SK} | | | -4 | ±10 | ns | | |
| Output Enable Time to Low Level | t _{ZL} | Figure 3 | | 600 | 800 | ns | | |
| Output Enable Time to High Level | t _{ZH} | Figure 3 | | 600 | 800 | ns | | |
| Output Disable Time from Low Level | t _{LZ} | Figure 3 | | 60 | 100 | ns | | |
| Output Disable Time from High Level | t _{HZ} | Figure 3 | | 60 | 100 | ns | | |
| Maximum Data Rate | f _{MAX} | | 10 | | | Mbps | | |

DC Electrical Characteristics—MAX3096(V_{CC} = 3.135V to 3.6V, T_A = T_{MIN} to T_{MAX}, unless otherwise noted. Typical values are at V_{CC} = 3.3V, T_A = +25°C.) (Note 1)

| PARAMETER | SYMBOL | CONDITIONS | MIN | TYP | MAX | UNITS |
|---|------------------|--|-----------------------|-----|------|-------|
| Receiver Differential Input Threshold | V _{TH} | -7V ≤ V _{CM} ≤ 12V | -200 | | 200 | mV |
| Receiver Input Hysteresis | | V _{CM} = 0V | | 45 | | mV |
| Receiver Input Current (A ₋ , B ₋) | I _{IN} | V _{CC} = 0V or 3.6V | | | 250 | μA |
| | | | | | -200 | |
| Enable Input Current (G, \bar{G}) | | | | | ±1 | μA |
| Enable Input High Voltage (G, \bar{G}) | V _{IH} | | 2.0 | | | V |
| Enable Input Low Voltage (G, \bar{G}) | V _{IL} | | | | 0.8 | V |
| Receiver Output High Voltage | V _{OH} | I _{OUT} = -1.5mA, V _{ID} = 200mV, G = V _{CC} or \bar{G} = GND, Figure 1 | V _{CC} - 0.4 | | | V |
| Receiver Output Low Voltage | V _{OL} | I _{OUT} = 2.5mA, V _{ID} = -200mV, G = V _{CC} or \bar{G} = GND, Figure 1 | | | 0.4 | V |
| Three-State Current at Receiver Output | I _{OZR} | 0 ≤ V _{OUT} ≤ V _{CC} , G = GND and \bar{G} = V _{CC} | | | ±1 | μA |
| Output Short-Circuit Current | I _{OSR} | 0 ≤ V _{OUT} ≤ V _{CC} , G = V _{CC} or \bar{G} = GND | ±4 | | ±60 | mA |
| Receiver Input Resistance | R _{IN} | -7V ≤ V _{CM} ≤ 12V | 48 | | | kΩ |

DC Electrical Characteristics—MAX3096 (continued)(V_{CC} = 3.135V to 3.6V, T_A = T_{MIN} to T_{MAX}, unless otherwise noted. Typical values are at V_{CC} = 3.3V, T_A = +25°C.) (Note 1)

| PARAMETER | SYMBOL | CONDITIONS | MIN | TYP | MAX | UNITS |
|----------------------------|-----------------|---|-----|-------|-----|-------|
| Supply Current | I _{CC} | No load, G = V _{CC} or \bar{G} = GND | | 2.4 | 4.0 | mA |
| | | G = GND and \bar{G} = V _{CC} | | 0.001 | 10 | μA |
| ESD Protection (Note 2) | | Human Body Model | | ±15 | | kV |
| | | IEC 1000-4-2 (Air-Gap Discharge) | | ±15 | | |
| | | IEC 1000-4-2 (Contact Discharge) | | ±8 | | |

Switching Characteristics—MAX3096(V_{CC} = 3.135V to 3.6V, T_A = T_{MIN} to T_{MAX}, unless otherwise noted. Typical values are at T_A = +25°C.)

| PARAMETER | SYMBOL | CONDITIONS | MIN | TYP | MAX | UNITS | | |
|--|-------------------------------------|---|--------------------------|------------------------|------|-------|----|-----|
| Input-to-Output Propagation Delay | t _{PLH} , t _{PHL} | V _{CC} = 3.135V to 3.6V, T _A = T _{MIN} to T _{MAX} | | | 69 | 127 | ns | |
| | | V _{ID} = 3V, Figure 2 | V _{CC} = 3.60V | T _A = +85°C | 88 | 98 | | 112 |
| | | | | T _A = +25°C | 78 | 88 | | 102 |
| | | | | T _A = -40°C | 69 | 79 | | 93 |
| | | V _{ID} = 3V, Figure 2 | V _{CC} = 3.135V | T _A = +85°C | 103 | 113 | | 127 |
| | | | | T _A = +25°C | 91 | 101 | | 115 |
| | | | | T _A = -40°C | 82 | 92 | | 106 |
| Device-to-Device Propagation- Delay Matching | | V _{ID} = 3V, Figure 2, matched conditions | | | 24 | ns | | |
| Propagation-Delay Skew (t _{PLH} - t _{PHL}) | t _{SK} | | | -2 | ±10 | ns | | |
| Output Enable Time to Low Level | t _{ZL} | Figure 3 | | 600 | 1000 | ns | | |
| Output Enable Time to High Level | t _{ZH} | Figure 3 | | 600 | 1000 | ns | | |
| Output Disable Time from Low Level | t _{LZ} | Figure 3 | | 80 | 180 | ns | | |
| Output Disable Time from High Level | t _{HZ} | Figure 3 | | 80 | 180 | ns | | |
| Maximum Data Rate | f _{MAX} | | 10 | | | Mbps | | |

Note 1: All currents into the device are positive; all currents out of the device are negative. All voltages are referred to device ground, unless otherwise noted.**Note 2:** Receiver inputs (A₋, B₋).

Typical Operating Characteristics

($V_{CC} = 5V$ for MAX3095, $V_{CC} = 3.3V$ for MAX3096, $T_A = +25^\circ C$, unless otherwise noted.)



Typical Operating Characteristics (continued)

($V_{CC} = 5V$ for MAX3095, $V_{CC} = 3.3V$ for MAX3096, $T_A = +25^{\circ}C$, unless otherwise noted.)



CIRCUIT OF FIGURE 3,
S1 OPEN, S2 CLOSED, S3 = 1V

Pin Configuration



Pin Description

| PIN | NAME | FUNCTION |
|-----|-----------------|---|
| 1 | B1 | Inverting Receiver Input |
| 2 | A1 | Noninverting Receiver Input |
| 3 | Y1 | Receiver Output. Enabled when G = high OR \bar{G} = low. Y1 is logic-high if $V_{A1} > V_{B1}$ by 200mV, and low if $V_{A1} < V_{B1}$ by 200mV. Y1 is logic-high if V_{A1} and V_{B1} remain unconnected. Otherwise, the state is undetermined. Y1 goes high impedance when the G = low and \bar{G} = high. |
| 4 | G | Active-High Receiver Output Enable. A logic-high on this input enables all receivers. When taken low and \bar{G} is high, all receivers are shut down, and the outputs go high impedance. |
| 5 | Y2 | Receiver Output. Same functionality as Y1. |
| 6 | A2 | Noninverting Receiver Input |
| 7 | B2 | Inverting Receiver Input |
| 8 | GND | Ground |
| 9 | B3 | Inverting Receiver Input |
| 10 | A3 | Noninverting Receiver Input |
| 11 | Y3 | Receiver Output. Same functionality as Y1. |
| 12 | \bar{G} | Active-Low Receiver Output Enable. A logic-low on this input enables all receivers. When \bar{G} = high and G = low, all receivers are shut down, and the outputs go high impedance. |
| 13 | Y4 | Receiver Output. Same functionality as Y1. |
| 14 | A4 | Noninverting Receiver Input |
| 15 | B4 | Inverting Receiver Input |
| 16 | V _{CC} | Positive Supply |



Figure 1. Receiver V_{OH} and V_{OL}



Figure 2. Receiver Propagation Delay



Figure 3. Receiver Enable and Disable Times

Detailed Description

±15kV ESD Protection

As with all Maxim devices, ESD-protection structures are incorporated on all pins to protect against electrostatic discharges (ESD) encountered during handling and assembly. The MAX3095/MAX3096 receiver inputs have extra protection against static electricity found in normal operation. Maxim’s engineers developed state-of-the-art structures to protect these pins against ±15kV ESD, without damage. After an ESD event, the MAX3095/MAX3096 continue working without latchup.

ESD protection can be tested in several ways. The receiver inputs are characterized for protection to the following:

- 1) ±15kV using the Human Body Model
- 2) ±8kV using the Contact-Discharge Method specified in IEC 1000-4-2 (formerly IEC 801-2)
- 3) ±15kV using the Air-Gap Method specified in IEC 1000-4-2 (formerly IEC 801-2)

ESD Test Conditions

ESD performance depends on a number of conditions. Contact Maxim for a reliability report that documents test setup, methodology, and results.

Human Body Model

Figure 4a shows the Human Body Model, and Figure 4b shows the current waveform it generates when discharged into a low impedance. This model consists of a 100pF capacitor charged to the ESD voltage of interest, which is then discharged into the device through a 1.5kΩ resistor.

IEC 1000-4-2

Since January 1996, all equipment manufactured and/or sold in the European community has been required to meet the stringent IEC 1000-4-2 specification. The IEC 1000-4-2 standard covers ESD testing and performance of finished equipment; it does not specifically refer to integrated circuits. The MAX3095/MAX3096 help you design equipment that meets Level 4 (the highest level) of IEC 1000-4-2, without additional ESD-protection components.

The main difference between tests done using the Human Body Model and IEC 1000-4-2 is higher peak current in IEC 1000-4-2. Because series resistance is lower in the IEC 1000-4-2 ESD test model (Figure 5a), the ESD-withstand voltage measured to this standard is generally lower than that measured using the Human Body Model. Figure 5b shows the current waveform for the ±8kV IEC 1000-4-2 Level 4 ESD Contact-Discharge test. The Air-Gap test involves approaching the device with a charge probe. The Contact-Discharge method connects the probe to the device before the probe is energized.

Machine Model

The Machine Model for ESD testing uses a 200pF storage capacitor and zero-discharge resistance. It mimics the stress caused by handling during manufacturing and assembly. Of course, all pins (not just RS-485 inputs) require this protection during manufacturing. Therefore, the Machine Model is less relevant to the I/O ports than are the Human Body Model and IEC 1000-4-2.

Low-Power Shutdown Mode

Table 1 shows the functionality of the enable inputs. The MAX3095/MAX3096 enter shutdown when G is low and \bar{G} is high. In shutdown, all outputs go high impedance and the devices typically draw less than 1nA. The devices exit shutdown by taking G high or \bar{G} low. The typical shutdown exit time is 600ns.

Table 1. Function Table

| G | \bar{G} | (A - B) | OUTPUT Y | DEVICE MODE |
|---|-----------|----------|----------|-------------|
| 1 | X | ≥ 200mV | 1 | On |
| 1 | X | ≤ -200mV | 0 | On |
| 1 | X | Open | 1 | On |
| X | 0 | ≥ 200mV | 1 | On |
| X | 0 | ≤ -200mV | 0 | On |
| X | 0 | Open | 1 | On |
| 0 | 1 | X | High-Z | Shutdown |

X = don't care, High-Z = high impedance



Figure 4a. Human Body ESD Test Model



Figure 4b. Human Body Model Current Waveform

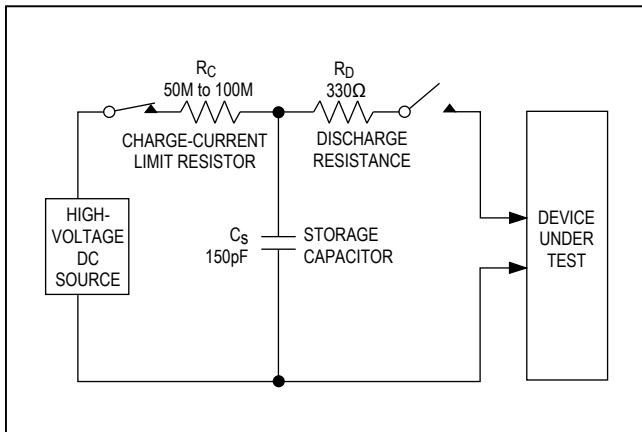


Figure 5a. IEC 1000-4-2 ESD Test Model

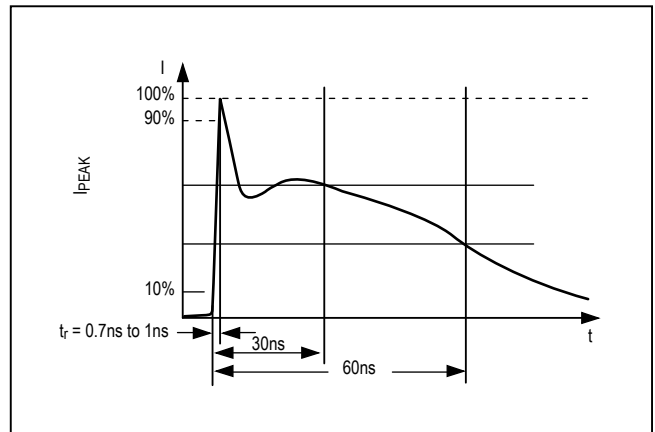


Figure 5b. IEC 1000-4-2 ESD-Generator Current Waveform

Applications Information

Propagation-Delay Matching

The MAX3095/MAX3096 exhibit propagation delays that are closely matched from one device to another, even between devices from different production lots. This feature allows multiple data lines to receive data and clock signals with minimal skewing with respect to each other. The MAX3095 receiver propagation delays are trimmed to a predetermined value $\pm 8\text{ns}$, while the MAX3096 delays are trimmed to a predetermined value $\pm 10\text{ns}$.

128 Receivers on the Bus

The standard RS-485 input impedance is $12\text{k}\Omega$ (one-unit load). The standard RS-485 transmitter can drive 32 unit loads. The MAX3095/MAX3096 present a $1/4$ -unit-load input impedance ($48\text{k}\Omega$), which allows up to 128 receivers on a bus. Any combination of these RS-485 receivers with a total of 32 unit loads can be connected to the same bus.

Fail-Safe Implementation

The MAX3095/MAX3096 receiver inputs guarantee a logic high output when the inputs are open circuit (no termination resistor used). This occurs when the transmitter is removed from the bus or when all transmitter outputs are high impedance. However, when the line is terminated and the transmitters are disabled, the differential voltage between the A and B inputs falls below the $\pm 200\text{mV}$ RS-485 sensitivity threshold. Consequently, the outputs become undefined. To maintain a fail-safe receiver output while using a terminating resistor, input A must be biased at least 200mV above input B. The resistor-divider network shown in Figure 6 is recommended.

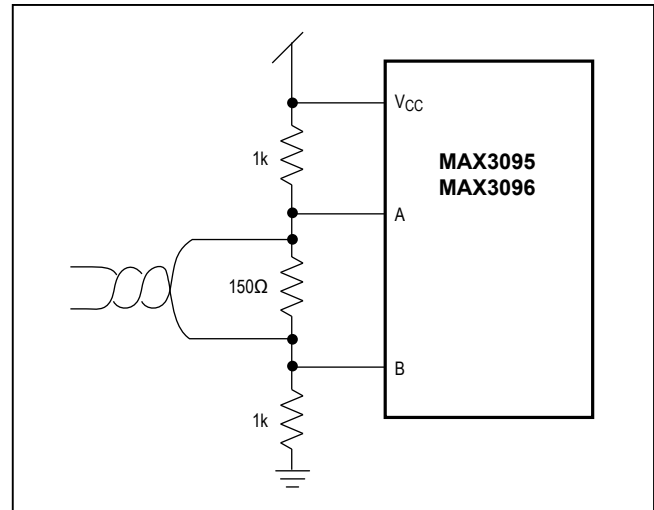


Figure 6. External Fail-Safe Implementation

MAX3095/MAX3096

±15kV ESD-Protected, 10Mbps, 3V/5V,
Quad RS-422/RS-485 Receivers

Ordering Information

| PART | TEMP RANGE | PIN-PACKAGE |
|---------------------|----------------|----------------|
| MAX3095 CPE+ | 0°C to +70°C | 16 Plastic DIP |
| MAX3095CSE+ | 0°C to +70°C | 16 Narrow SO |
| MAX3095CEE+ | 0°C to +70°C | 16 QSOP |
| MAX3095EPE+ | -40°C to +85°C | 16 Plastic DIP |
| MAX3095ESE+ | -40°C to +85°C | 16 Narrow SO |
| MAX3095EEE+ | -40°C to +85°C | 16 QSOP |
| MAX3096 CPE+ | 0°C to +70°C | 16 Plastic DIP |
| MAX3096CSE+ | 0°C to +70°C | 16 Narrow SO |
| MAX3096CEE+ | 0°C to +70°C | 16 QSOP |
| MAX3096EPE+ | -40°C to +85°C | 16 Plastic DIP |
| MAX3096ESE+ | -40°C to +85°C | 16 Narrow SO |
| MAX3096EEE+ | -40°C to +85°C | 16 QSOP |

+Denotes a lead(Pb)-free/RoHS-compliant package.

Chip Information

PROCESS: BiCMOS

Package Information

For the latest package outline information and land patterns (footprints), go to www.maximintegrated.com/packages. Note that a "+", "#", or "-" in the package code indicates RoHS status only. Package drawings may show a different suffix character, but the drawing pertains to the package regardless of RoHS status.

| PACKAGE TYPE | PACKAGE CODE | DOCUMENT NO. |
|--------------|--------------|-------------------------|
| 16 QSOP | E16+5 | 21-0055 |
| 16 Narrow SO | S16+5 | 21-0041 |
| 16 PDIP | P16+1 | 21-0043 |

Revision History

| REVISION NUMBER | REVISION DATE | DESCRIPTION | PAGES CHANGED |
|-----------------|---------------|--|---------------|
| 2 | 1/10 | <ul style="list-style-type: none"> Changed the lower specification in the V_{CC} range from 3.0V to 3.135V. Updated the MAX specifications for the "Input-to-Output Propagation Delay" in the <i>Switching Characteristics—MAX3096</i> table. | 3, 4 |
| 3 | 1/10 | <ul style="list-style-type: none"> Updated all the parts in the <i>Ordering Information</i> to be lead-free. Updated the Y1 description in the <i>Pin Description</i>. Changed the <i>Chip Information</i> section to "PROCESS: BiCMOS". | 1, 6, 10 |
| 4 | 1/18 | Updated <i>Absolute Maximum Rating</i> section | 2 |

For pricing, delivery, and ordering information, please contact Maxim Direct at 1-888-629-4642, or visit Maxim Integrated's website at www.maximintegrated.com.

Maxim Integrated cannot assume responsibility for use of any circuitry other than circuitry entirely embodied in a Maxim Integrated product. No circuit patent licenses are implied. Maxim Integrated reserves the right to change the circuitry and specifications without notice at any time. The parametric values (min and max limits) shown in the *Electrical Characteristics* table are guaranteed. Other parametric values quoted in this data sheet are provided for guidance.

Компания «Life Electronics» занимается поставками электронных компонентов импортного и отечественного производства от производителей и со складов крупных дистрибьюторов Европы, Америки и Азии.

С конца 2013 года компания активно расширяет линейку поставок компонентов по направлению коаксиальный кабель, кварцевые генераторы и конденсаторы (керамические, пленочные, электролитические), за счёт заключения дистрибьюторских договоров

Мы предлагаем:

- Конкурентоспособные цены и скидки постоянным клиентам.
- Специальные условия для постоянных клиентов.
- Подбор аналогов.
- Поставку компонентов в любых объемах, удовлетворяющих вашим потребностям.
- Приемлемые сроки поставки, возможна ускоренная поставка.
- Доставку товара в любую точку России и стран СНГ.
- Комплексную поставку.
- Работу по проектам и поставку образцов.
- Формирование склада под заказчика.
- Сертификаты соответствия на поставляемую продукцию (по желанию клиента).
- Тестирование поставляемой продукции.
- Поставку компонентов, требующих военную и космическую приемку.
- Входной контроль качества.
- Наличие сертификата ISO.

В составе нашей компании организован Конструкторский отдел, призванный помогать разработчикам, и инженерам.

Конструкторский отдел помогает осуществить:

- Регистрацию проекта у производителя компонентов.
- Техническую поддержку проекта.
- Защиту от снятия компонента с производства.
- Оценку стоимости проекта по компонентам.
- Изготовление тестовой платы монтаж и пусконаладочные работы.



Тел: +7 (812) 336 43 04 (многоканальный)

Email: org@lifeelectronics.ru