

## Micro MATE-N-LOK Strain Relief Covers

TE Connectivity's Micro MATE-N-LOK strain relief cover kit contains snap on 4 & 8 position Micro MATE-N-LOK strain relief covers that provide cable assembly retention capability that meets IEC 60598-1 cable retention specifications. The two-piece covers are applied without screws or tools to provide an aesthetically functional strain relief for jacketed cable assemblies. To provide maximum flexibility, they are designed to work in wire to wire (free hanging) and wire to board cable assembly applications.

### PRODUCT BENEFITS

- Micro MATE-N-LOK strain relief jacketed cable assemblies meet IEC 60598-1 which requires a minimum cable retention of 60N
- Screwless design allows for ease of assembly
- The strain relief covers provide latch protection that prevents inadvertent unmating of the connectors
- Rounded corners allow for a snag resistant design

### APPLICATIONS

- Lighting
- Security Systems
- Gaming
- Vending
- Garage door openers
- Factory Automation
- Household Appliances
- Data Storage

### QUESTIONS TO ASK

- Are you considering 4 or 8 position Micro MATE-N-LOK connectors in your application?
- Are you using jacketed cable?
- Do you need to meet IEC strain relief requirements?

### MECHANICAL

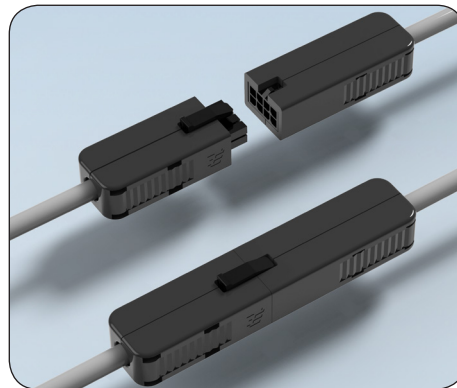
- Meets 60 N cable retention requirements
- Operates from -20°C to 85°C
- UL94-V0 Flammability rating
- Offered in black housing color

### MATERIALS

- Nylon Thermoplastic

### STANDARDS AND SPECIFICATIONS

- Application specification #: **114-20157**
- Product Specification #: **108-20314**



[te.com/ib](http://te.com/ib)

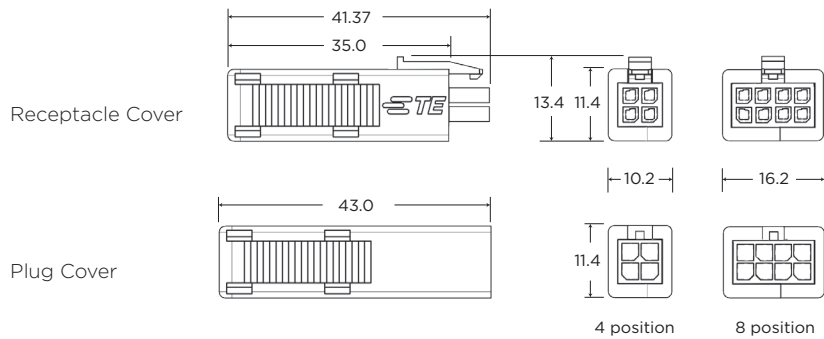


PRODUCT OFFERING

Positions	Kit Part Number	Kit Description	Included Cover Part Numbers*	Description	Included Mate-N-Lok*	Description
4	293734-1	Receptacle Cover Kit	293726-1	A Receptacle cover standard	794617-4	Receptacle housing
			293727-1	B Receptacle cover standard		
	293735-1	Plug Cover Kit	293728-1	A Plug cover	794616-4	Plug housing
			293729-1	B Plug cover		
8	293736-1	Receptacle Cover Kit	293730-1	A Receptacle cover standard	794617-8	Receptacle housing
			293731-1	B Receptacle cover standard		
	293737-1	Plug Cover Kit	293732-1	A Plug cover	794616-8	Plug housing
			293733-1	B Plug cover		
	293746-1	8 Position Receptacle Housing Cable Assembly	Pre-assembled cable, receptacle housing and cover		794617-8	Receptacle housing

\* Also available for sale separately

DIMENSIONS



ASSOCIATED PRODUCTS



Micro MATE-N-LOK Connector System

The Micro MATE-N-LOK 3 mm connector system offers wire-to-wire and wire-to-board connections with contacts on a 3 mm [.118] centerline and current ratings up to 5A.

FEATURES

- Wire-to-wire and wire-to-board pin and receptacle system
- Contacts are on 3mm centerline spacing and available in strip form or loose piece
- Panel mount or free-hanging versions
- UL, CSA, & VDE approved

Quick Reference Guide: [Micro MATE-N-LOK Connector System, # 1773458-4](#)

While TE has made every reasonable effort to ensure the accuracy of the information in this brochure, TE does not guarantee that it is error-free, nor does TE make any other representation, warranty or guarantee that the information is accurate, correct, reliable or current. TE reserves the right to make any adjustments to the information contained herein at any time without notice. TE expressly disclaims all implied warranties regarding the information contained herein, including, but not limited to, any implied warranties of merchantability or fitness for a particular purpose. The dimensions in this catalog are for reference purposes only and are subject to change without notice. Specifications are subject to change without notice. Consult TE for the latest dimensions and design specifications.

te.com/ib



Компания «Life Electronics» занимается поставками электронных компонентов импортного и отечественного производства от производителей и со складов крупных дистрибьюторов Европы, Америки и Азии.

С конца 2013 года компания активно расширяет линейку поставок компонентов по направлению коаксиальный кабель, кварцевые генераторы и конденсаторы (керамические, пленочные, электролитические), за счёт заключения дистрибьюторских договоров

Мы предлагаем:

- Конкуренспособные цены и скидки постоянным клиентам.
- Специальные условия для постоянных клиентов.
- Подбор аналогов.
- Поставку компонентов в любых объемах, удовлетворяющих вашим потребностям.
- Приемлемые сроки поставки, возможна ускоренная поставка.
- Доставку товара в любую точку России и стран СНГ.
- Комплексную поставку.
- Работу по проектам и поставку образцов.
- Формирование склада под заказчика.
- Сертификаты соответствия на поставляемую продукцию (по желанию клиента).
- Тестирование поставляемой продукции.
- Поставку компонентов, требующих военную и космическую приемку.
- Входной контроль качества.
- Наличие сертификата ISO.

В составе нашей компании организован Конструкторский отдел, призванный помогать разработчикам, и инженерам.

Конструкторский отдел помогает осуществить:

- Регистрацию проекта у производителя компонентов.
- Техническую поддержку проекта.
- Защиту от снятия компонента с производства.
- Оценку стоимости проекта по компонентам.
- Изготовление тестовой платы монтаж и пусконаладочные работы.



Тел: +7 (812) 336 43 04 (многоканальный)

Email: [org@lifeelectronics.ru](mailto:org@lifeelectronics.ru)