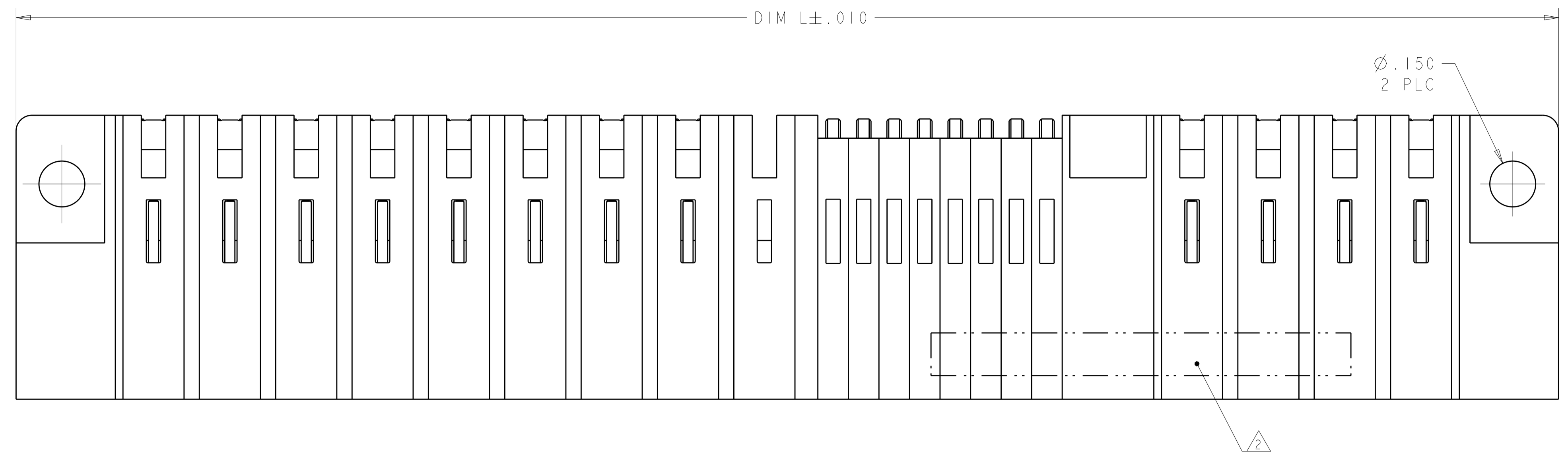
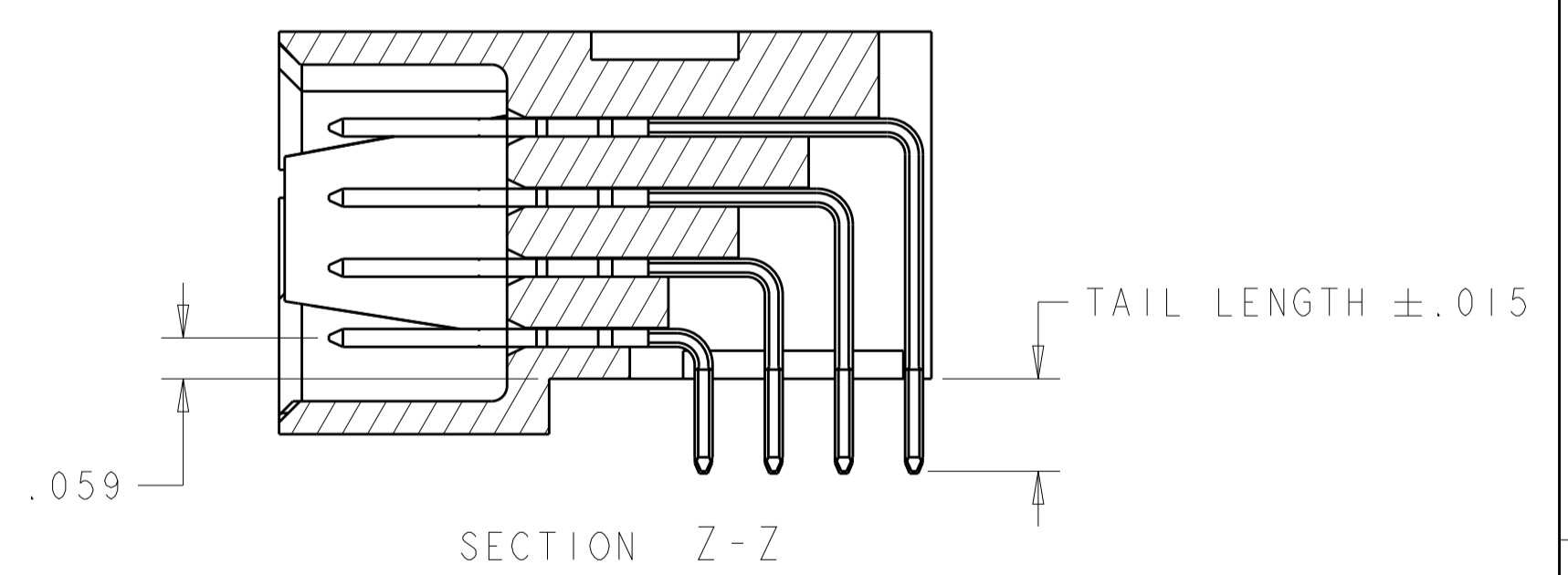
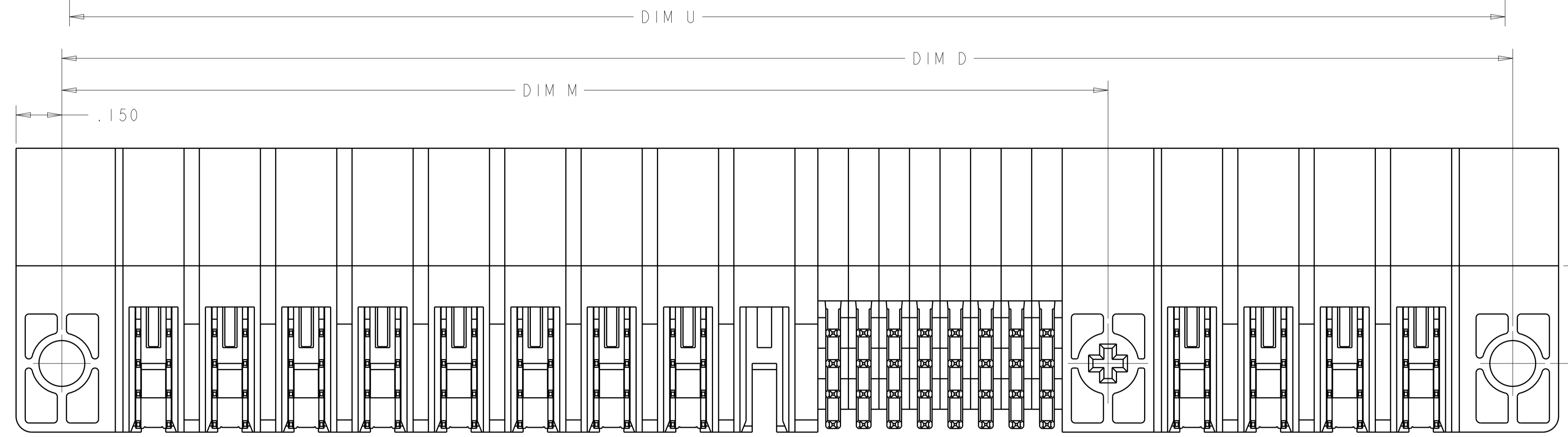
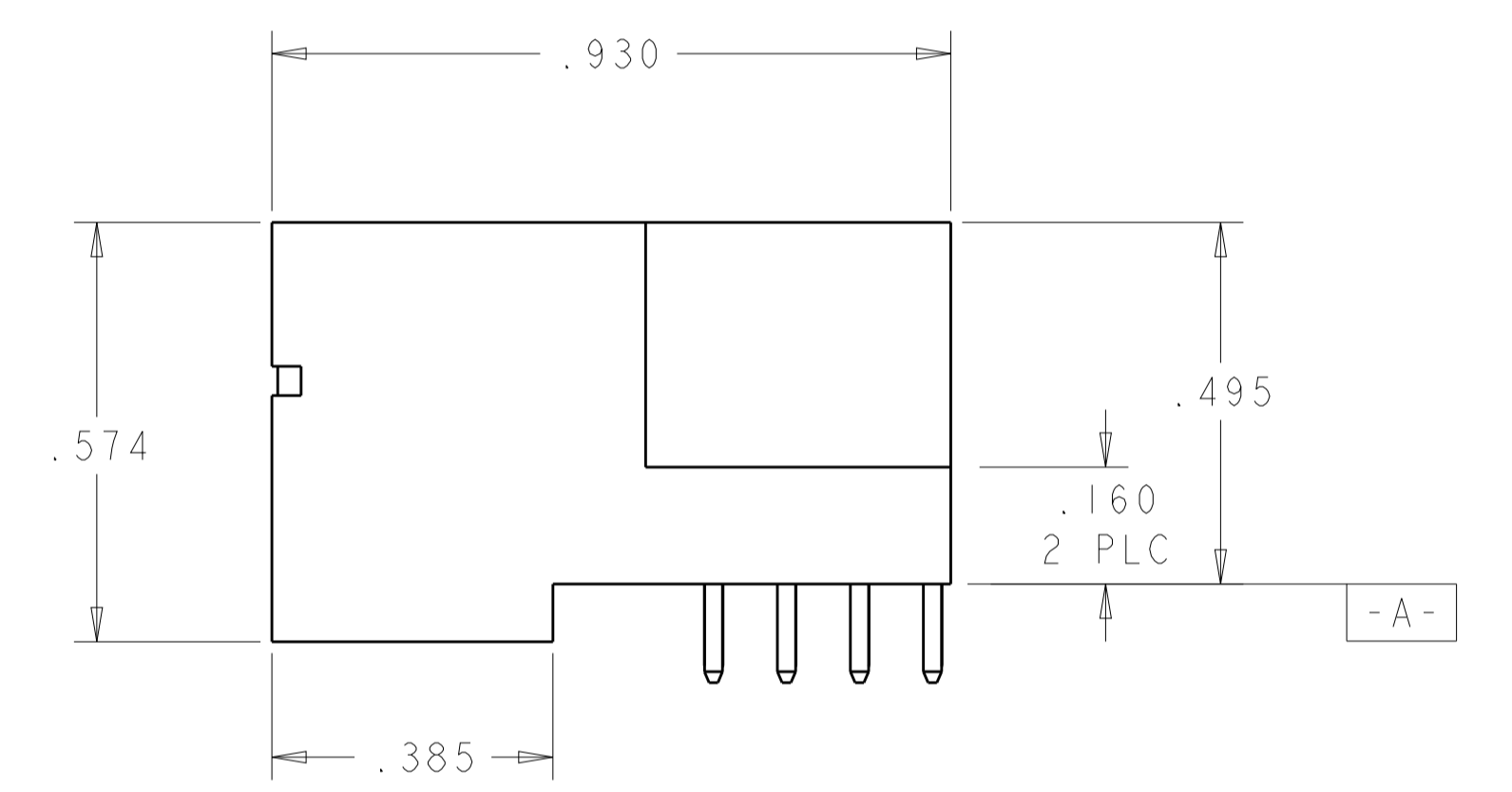
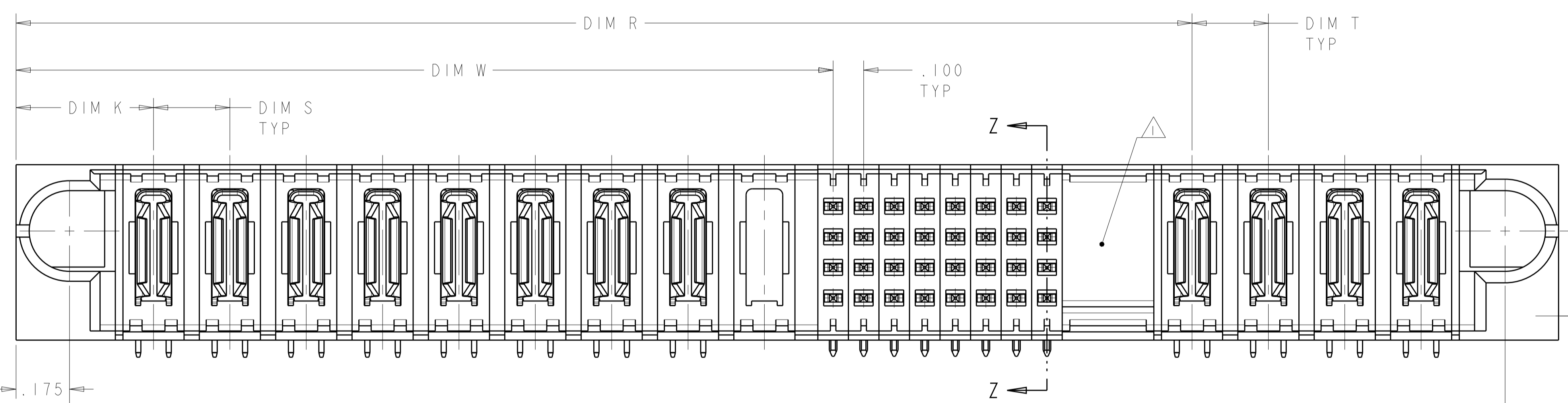


REVISIONS					
P.	LTN	DESCRIPTION	DATE	DMN	APVD
E6		REVISED FOR 1-2	16MAY2014	CZ	SZ
E7		ADD NEW DASH NUMBER 1-4	02JAN2015	CZ	SZ



- 1 OPTIONAL CENTER MODULE
- 2 "AMP", PART NUMBER, AND DATE CODE TO BE MARKED IN AREA SHOWN. PARTS UNDER 2.00 LONG MAY BE MARKED ON BOTH SIDES.
- 3 MATERIAL: HOUSING - GLASS FILLED HIGH TEMP THERMO PLASTIC, UL94 V-0
SIGNAL CONTACT - COPPER ALLOY
POWER CONTACT - HIGH CONDUCTIVITY COPPER ALLOY
- 4 CONTACT PLATING: SIGNAL CONTACTS - .000050 MIN NI UNDER ALL.
.000030 MIN Au ON CONTACT AREA.
.000100 MIN Sn AT PCB INTERFACE.
POWER CONTACTS - .000050 MIN NI UNDER ALL.
.000030 MIN Au ON CONTACT AREA.
.000100 MIN Sn AT PCB INTERFACE.
- 5 MECHANICAL CONNECTOR KEEP OUT ZONE.
- 6 DATUM AND BASIC DIMENSIONS ESTABLISHED BY CUSTOMER.
- 7 PCB - ALL HOLE DIAMETERS ARE FINISHED HOLE SIZES.
- 8 PCB - .0453 +/- .0010 DRILLED HOLES PLATES WITH .0003 MIN Sn OVER .001 TO .003 PLATING TO ACHIEVE A .040 DIA. HOLE.
- 9 VARIABLE DIMENSIONS SHOW ON VIEW (SHEET 5).

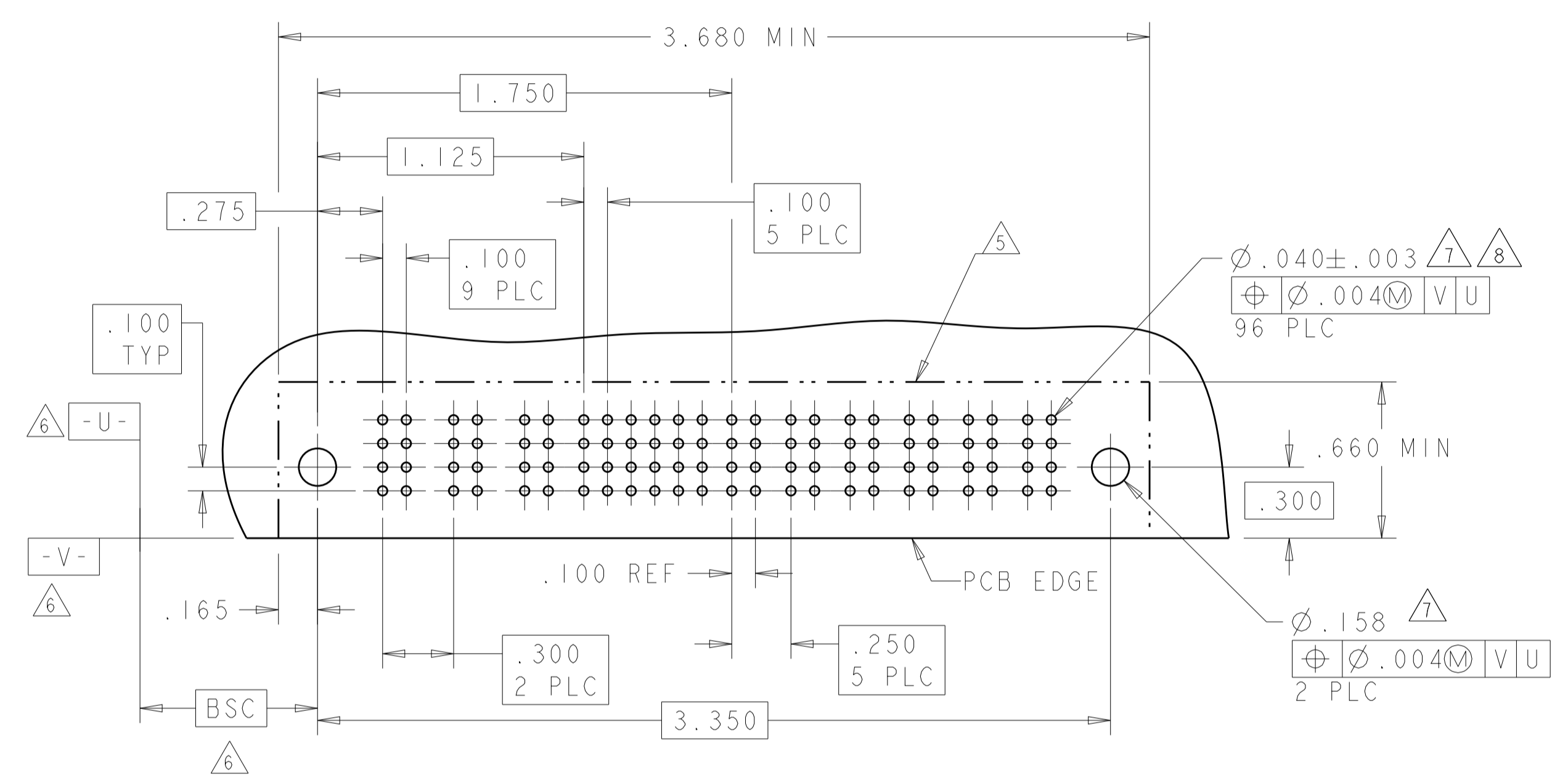
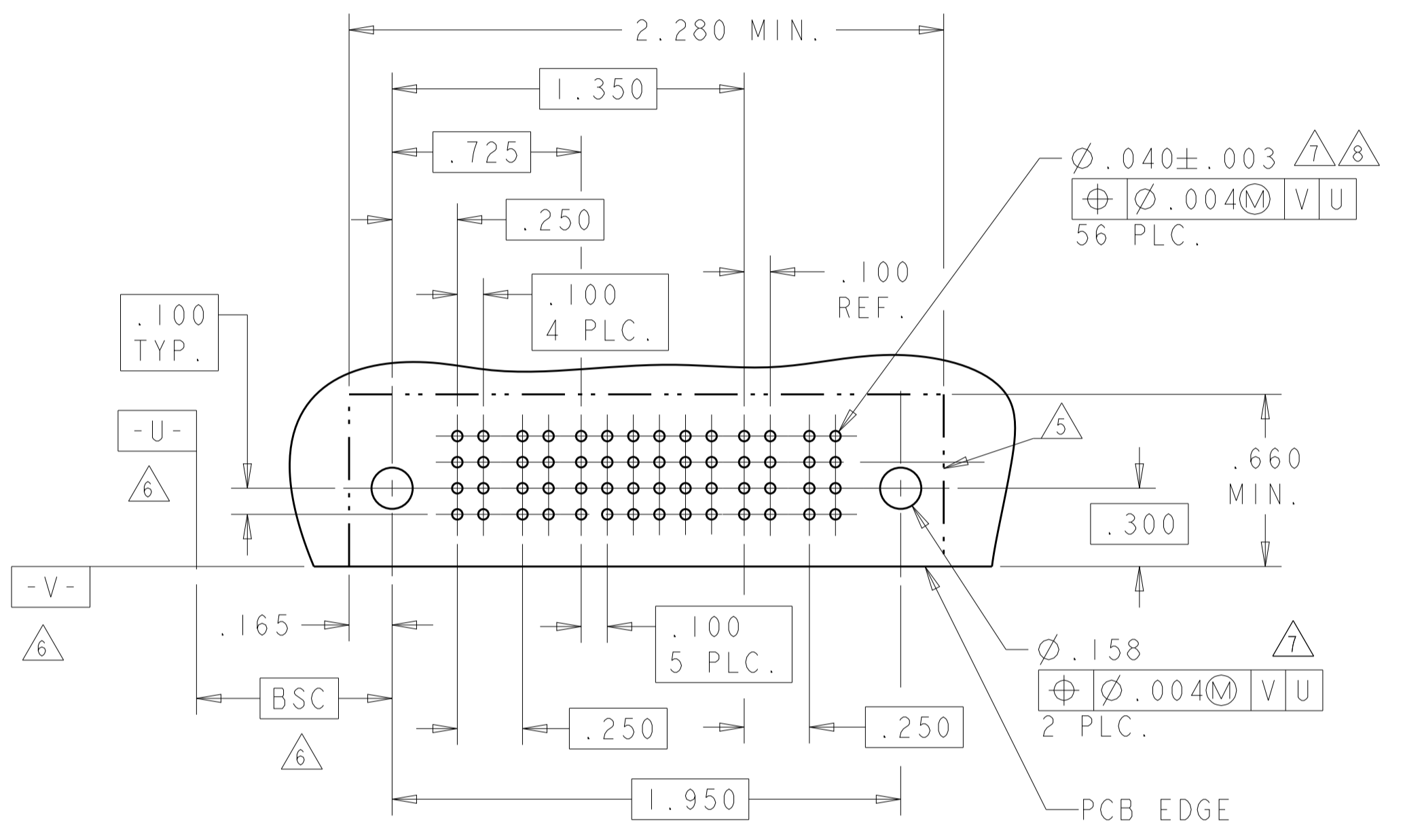


THIS DRAWING IS A CONTROLLED DOCUMENT.		DMN R. GRZYBOWSKI 13JUN05	TE Connectivity RIGHT ANGLE HEADER W/GUIDES ASSEMBLY MULTI-BEAM XL (DUAL-BEAM POWER)	
DIMENSIONS: INCHES		CHK M. PERCHERKE 13JUN05		
TOLERANCES UNLESS OTHERWISE SPECIFIED:		NAME		RESTRICTED TO
0 PLC ±.01	1 PLC ±.01	PRODUCT SPEC		
2 PLC ±.005	3 PLC ±.005	APPLICATION SPEC		
4 PLC ±.0020	ANGLES ±.7°	SIZE	CAGE CODE	DRAWING NO
MATERIAL		114-13038	A1	C=6600132
FINISH		WEIGHT		SCALE
3		4		4:1
CUSTOMER DRAWING		SHEET 1 OF 7		REV E7

REVISIONS				
P.	LTN.	DESCRIPTION	DATE	APVD.
-	-	SEE SHEET 1	-	-

PART NUMBER	ROWS	POWER		SIGNAL						POWER	
		P1	P2	1	2	3	4	5	6	P3	P4
6600132-1	D C B A	PS	PS	J	J	J	J	J	J	PS	PS
				K	K	K	K	K	K		
				N	N	N	G	N	N		
				S	S	S	S	S	S		
2P + 24S + 2P											

PART NUMBER	ROWS	POWER			SIGNAL						POWER					
		P1	P2	P3	1	2	3	4	5	6	P4	P5	P6	P7	P8	P9
6600132-2	D C B A	PS	PS	PS	J	J	J	J	J	J	PS	PS	PS	PS	PS	PS
					K	K	K	K	K	K						
					N	N	N	N	N	N						
					H	S	S	S	S	S						
3ACP + 24S + 6P																



FK	MFBL	.135	C
A4	MLBF	.090	D
A3	MLBF	.090	C
A2	MLBF	.090	B
A1	MLBF	.090	A
E	MLBF	.135	D
F	MLBF	.135	C
G	MLBF	.135	B
H	MLBF	.135	A
Z	STD	.090	D
Y	STD	.090	C
R	STD	.090	B
O	STD	.090	A
J	STD	.135	D
K	STD	.135	C
N	STD	.135	B
S	STD	.135	A
CODE	MATING SEQUENCE	TAIL LENGTH	ROW
SIGNAL CONTACT			

PL	.090
PS	.135
CODE	TAIL LENGTH
POWER CONTACT	

2.900	.250	.250	2.050	1.375	2.950	-	3.250	.450	4P + 24S + 4P	1-6600132-4
2.200	.250	.250	1.350	.875	2.250	-	2.550	.450	2P + 16S + 4P	1-6600132-2
1.900	.250	.250	1.550	.875	1.950	-	2.250	.450	2P + 24S + 2P	1-6600132-1
1.200	-	-	1.100	.625	1.250	-	1.550	.450	1P + 16S + 1P	1-6600132-0
2.200	.200	.200	1.725	1.025	2.250	-	2.550	.425	3P + 24S + 3P	6600132-9
3.550	.200	△	2.225	1.925	3.600	-	3.900	.500	7P + 8S + 7P	6600132-7
2.500	.250	.250	2.150	1.425	2.550	-	2.850	.450	4P + 24S + 2P	6600132-6
4.500	.250	.250	2.900	2.125	4.550	-	4.850	.450	7P + 28S + 7P	6600132-5
1.575	-	-	1.425	.700	1.625	-	1.925	.475	1P + 24S + 1P	6600132-4
1.575	.250	.250	1.425	.700	1.625	-	1.925	.475	1P + 24S + 1P	6600132-3
3.300	.300	.250	1.950	1.275	3.350	-	3.650	.475	3ACP + 24S + 6P	6600132-2
1.900	.250	.250	1.550	0.875	1.950	-	2.250	.450	2P + 24S + 2P	6600132-1
DIM U	S	T	R	W	D	M	L	K	DESCRIPTION	PART NUMBER

THIS DRAWING IS A CONTROLLED DOCUMENT. DWG: R. GRZYBOWSKI 13JUN05, CHK: M. PERCHERKE 13JUN05, APVD: M. PERCHERKE

DIMENSIONS: INCHES. TOLERANCES UNLESS OTHERWISE SPECIFIED: 0 PLC ±.01, 1 PLC ±.01, 2 PLC ±.01, 3 PLC ±.005, 4 PLC ±.002, ANGLES ±.020.

MATERIAL: FINISH:

PRODUCT SPEC: 108-1973, APPLICATION SPEC: 114-13038, WEIGHT: CUSTOMER DRAWING

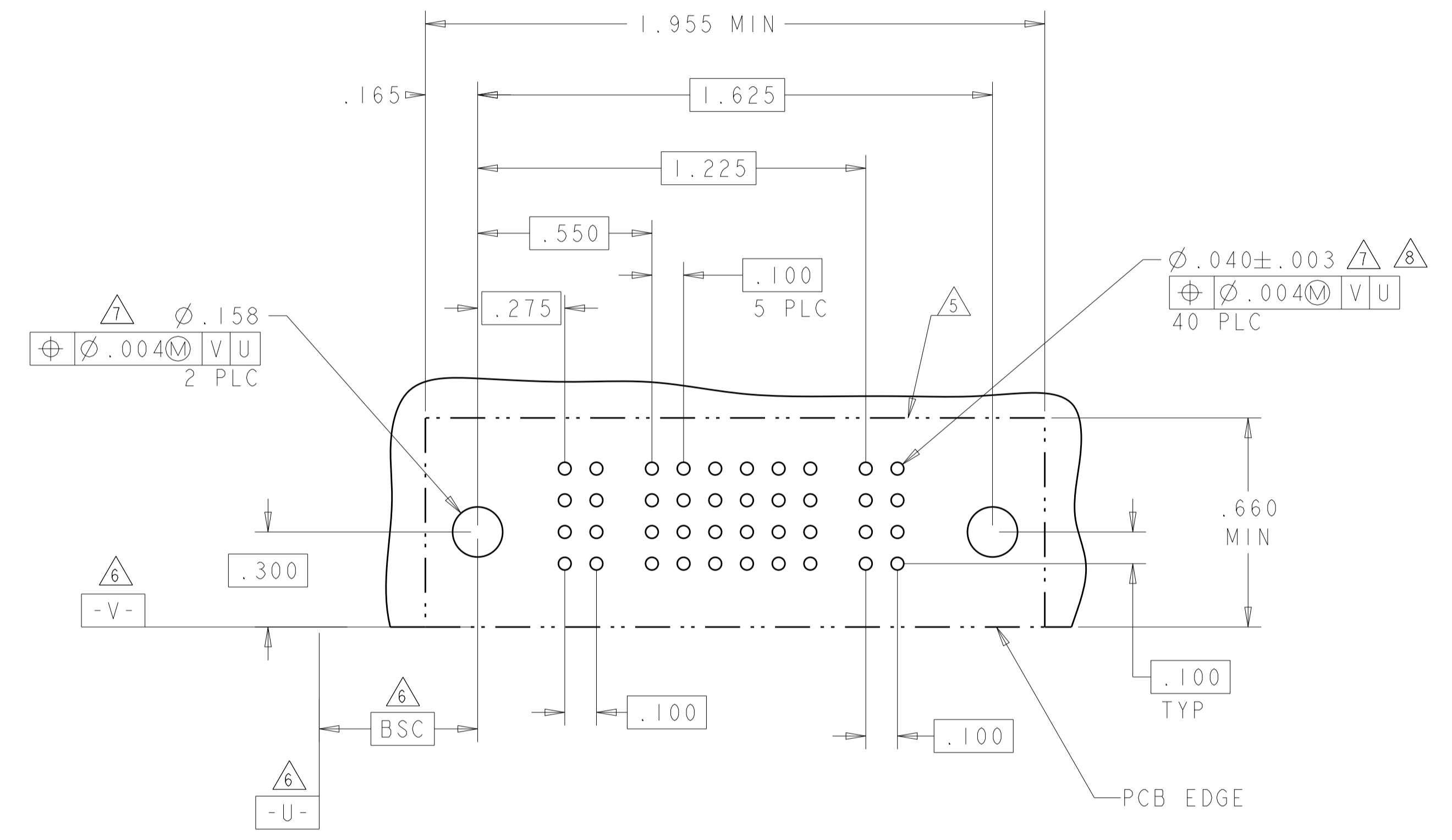
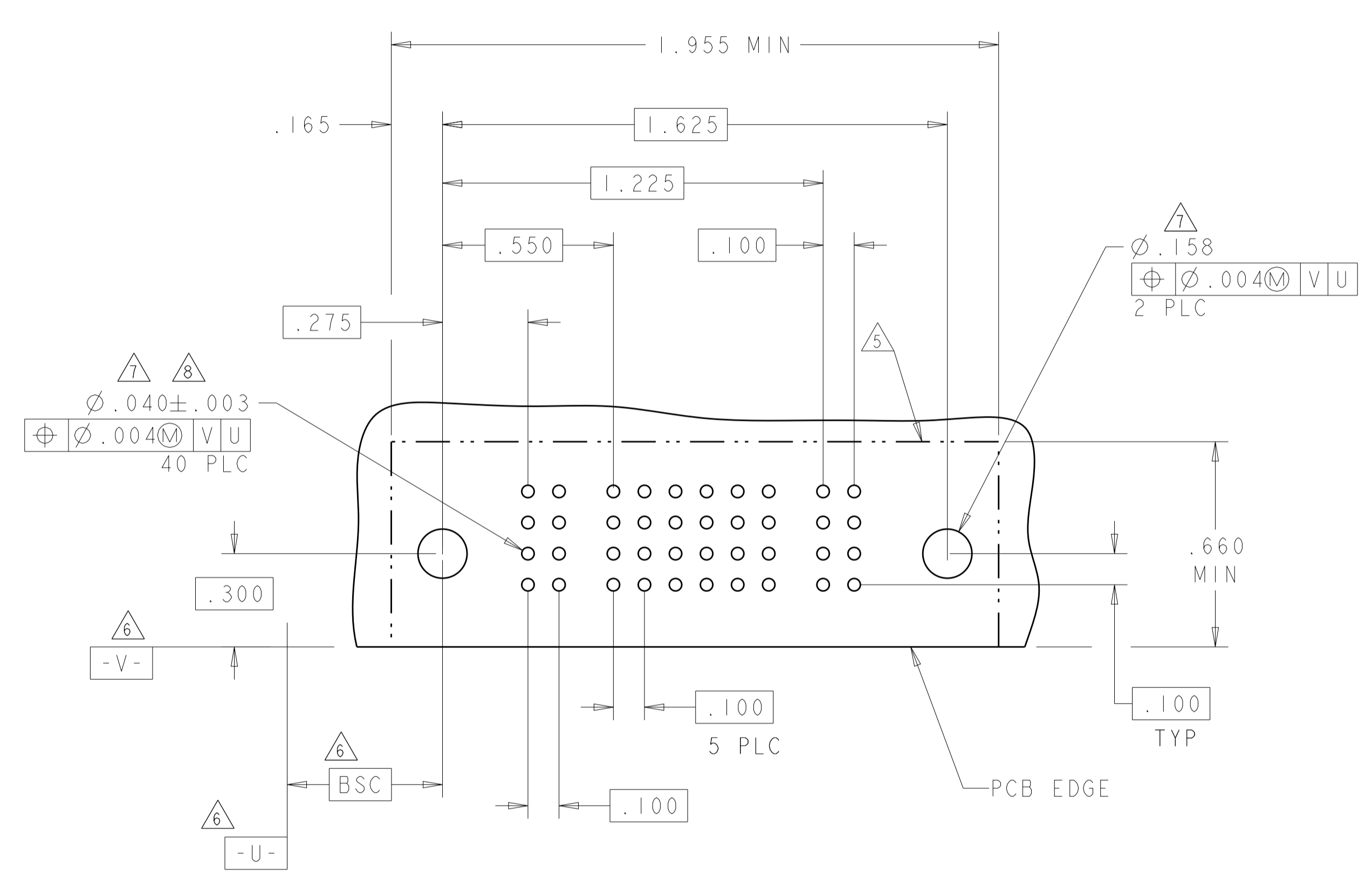
NAME: RIGHT ANGLE HEADER W/GUIDES ASSEMBLY (DUAL-BEAM POWER), SIZE: A1, CAGE CODE: 6600132, SCALE: 4:1, SHEET: 2 OF 7, REV: E7

STE TE Connectivity

REVISIONS				
P.	LTN.	DESCRIPTION	DATE	APVD.
-	-	SEE SHEET 1	-	-

PART NUMBER	ROWS	POWER		SIGNAL						POWER			
		P1	P2	1	2	3	4	5	6	P1	P2		
6600132-3	D C B A	PS	PS	J	J	J	J	J	J	J	J	PS	PS
				K	K	K	K	K	K	K	K		
				N	N	G	G	N	G	N	N		
				S	S	H	S	S	S	S	S		
IP + 24S + IP													

PART NUMBER	ROWS	POWER		SIGNAL						POWER			
		P1	P2	1	2	3	4	5	6	P1	P2		
6600132-4	D C B A	PS	PS	J	J	J	J	J	J	J	J	PS	PS
				K	K	K	K	K	K	K	K		
				N	N	N	G	N	N	N	N		
				S	S	S	S	S	S	S	S		
IP + 24S + IP													



THIS DRAWING IS A CONTROLLED DOCUMENT.

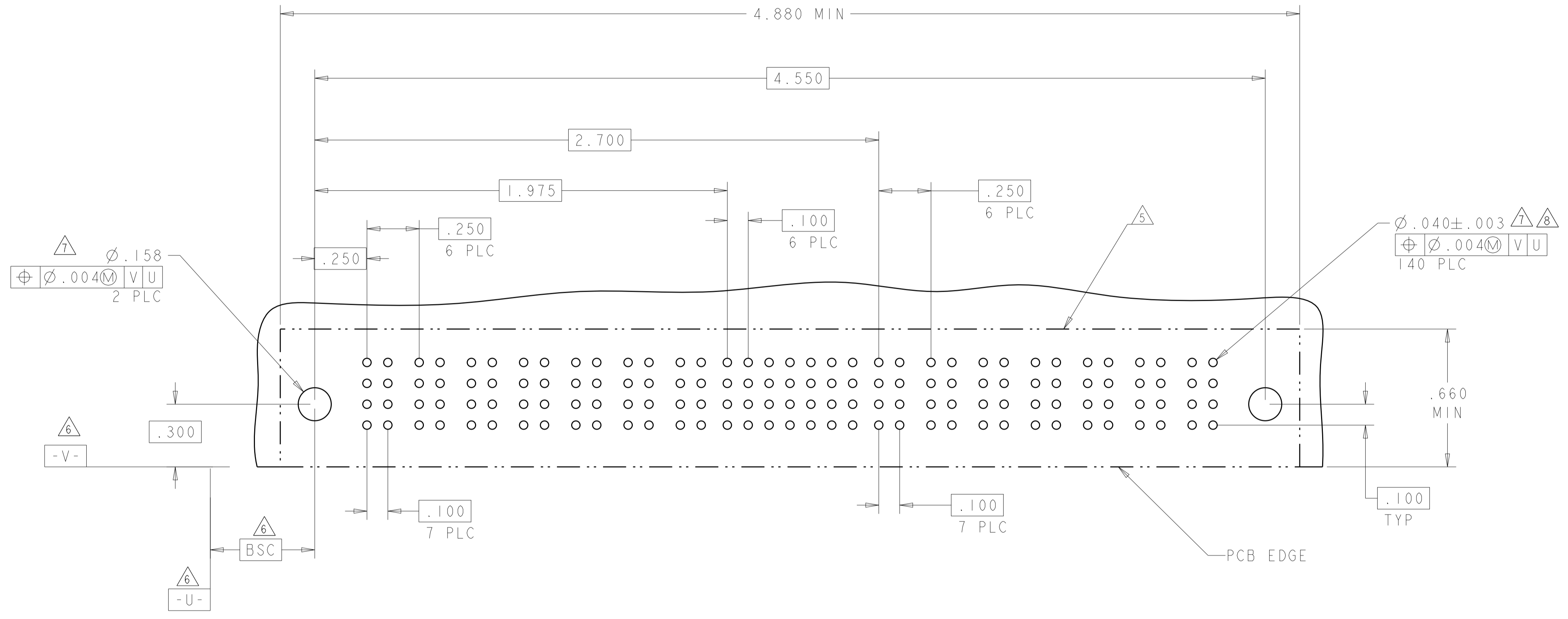
DIMENSIONS: INCHES	TOLERANCES UNLESS OTHERWISE SPECIFIED: 0 PLC ±. 1 PLC ±.01 2 PLC ±.01 3 PLC ±.005 4 PLC ±.0020 ANGLES ±.2°	FINISH	APVD: M. PERCHERKE	NAME: M. PERCHERKE	DATE: 13JUN05	REV: 7
MATERIAL	FINISH	WEIGHT	PRODUCT SPEC: 108-1973	APPLICATION SPEC: 114-13038	SIZE: A1	SCALE: 4:1
CUSTOMER DRAWING			RIGHT ANGLE HEADER W/GUIDES ASSEMBLY MULTI-BEAM XL (DUAL-BEAM POWER)		SHEET 3 OF 7	

STE TE Connectivity

©=6600132

REVISIONS				
P.	LTN.	DESCRIPTION	DATE	APVD.
-	-	SEE SHEET 1	-	-

PART NUMBER	ROWS	POWER						SIGNAL							POWER							
		P1	P2	P3	P4	P5	P6	P7	1	2	3	4	5	6	7	P8	P9	P10	P11	P12	P13	P14
6600132-5	D C B A	PS	PS	PS	PS	PS	PS	PS	J	J	J	J	J	J	J	PS	PS	PS	PS	PS	PS	PS
									K	K	K	F	K	K	K							
									N	N	N	G	N	N	N							
7P + 28S + 7P								S	S	S	S	S	S	S								

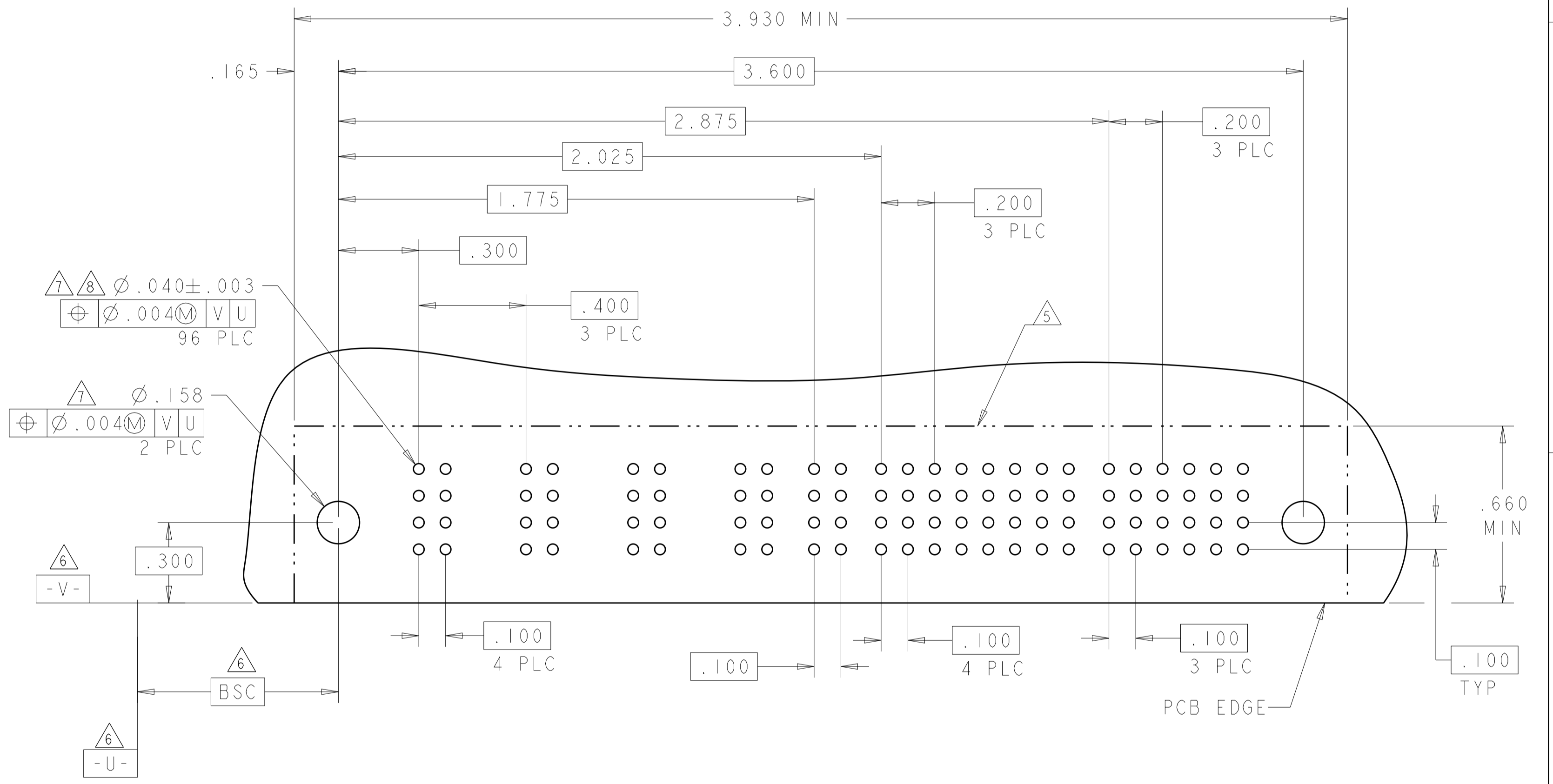
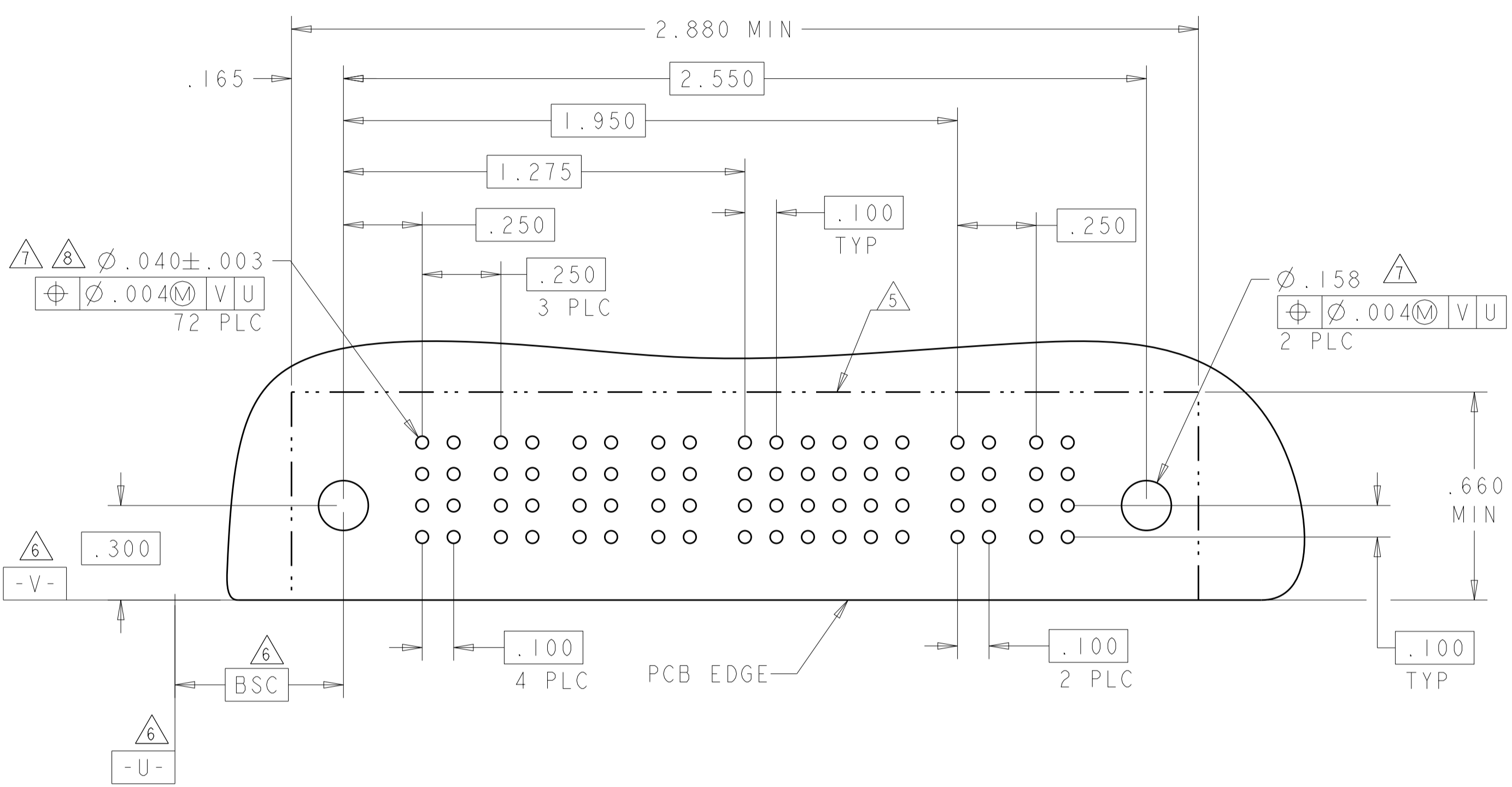


THIS DRAWING IS A CONTROLLED DOCUMENT.		DWN R. GRZYBOWSKI 13JUN05	 TE Connectivity
DIMENSIONS: INCHES		CHK M. PERCHERKE 13JUN05	
TOLERANCES UNLESS OTHERWISE SPECIFIED: 0 PLC ±. 1 PLC ±.01 2 PLC ±.01 3 PLC ±.005 4 PLC ±.0020 ANGLES ±.2° FINISH		APVD M. PERCHERKE	NAME RIGHT ANGLE HEADER W/GUIDES ASSEMBLY MULTI-BEAM XL (DUAL-BEAM POWER)
MATERIAL		PRODUCT SPEC 108-1973	SIZE A1
		APPLICATION SPEC 114-13038	CAGE CODE C=6600132
		WEIGHT	RESTRICTED TO
		CUSTOMER DRAWING	SCALE 4:1 SHEET 4 OF 7 REV E7

REVISIONS				
P. LTR.	DESCRIPTION	DATE	OWN	APVD
-	SEE SHEET 1	-	-	-

PART NUMBER	ROWS	POWER				SIGNAL						POWER	
		P1	P2	P3	P4	1	2	3	4	5	6	P5	P6
6600132-6	D C B A	PS	PS	PS	PS	J	J	J	J	J	J	PS	PS
						K	K	K	K	K	K		
						N	N	N	N	N	N		
						S	S	S	S	S	S		
4P + 24S + 2P													

PART NUMBER	ROWS	POWER							SIGNAL		POWER						
		P1	P2	P3	P4	P5	P6	P7	1	2	P8	P9	P10	P11	P12	P13	P14
6600132-7	D C B A	PS	PS	PS	PS	PS	PS	J	J	PS	PS	PS	PS	PS	PS	PS	
								K	K								
								N	N								
								H	S								
7P + 8S + 7P																	



THIS DRAWING IS A CONTROLLED DOCUMENT.

DIMENSIONS: INCHES	TOLERANCES UNLESS OTHERWISE SPECIFIED: 0 PLC ± 1 PLC ±.01 2 PLC ±.01 3 PLC ±.005 4 PLC ±.0020 ANGLES ±.2°	FINISH	APVD: M. PERCHERKE	NAME: M. PERCHERKE	DATE: 13JUN05	REV: 7
MATERIAL	FINISH	WEIGHT	PRODUCT SPEC: 108-1973	APPLICATION SPEC: 114-13038	SIZE: A1	RESTRICTED TO: -
CUSTOMER DRAWING			SCALE: 4:1	SHEET: 5 OF 7	REV: E7	

STE TE Connectivity

RIGHT ANGLE HEADER W/GUIDES ASSEMBLY
MULTI-BEAM XL
(DUAL-BEAM POWER)

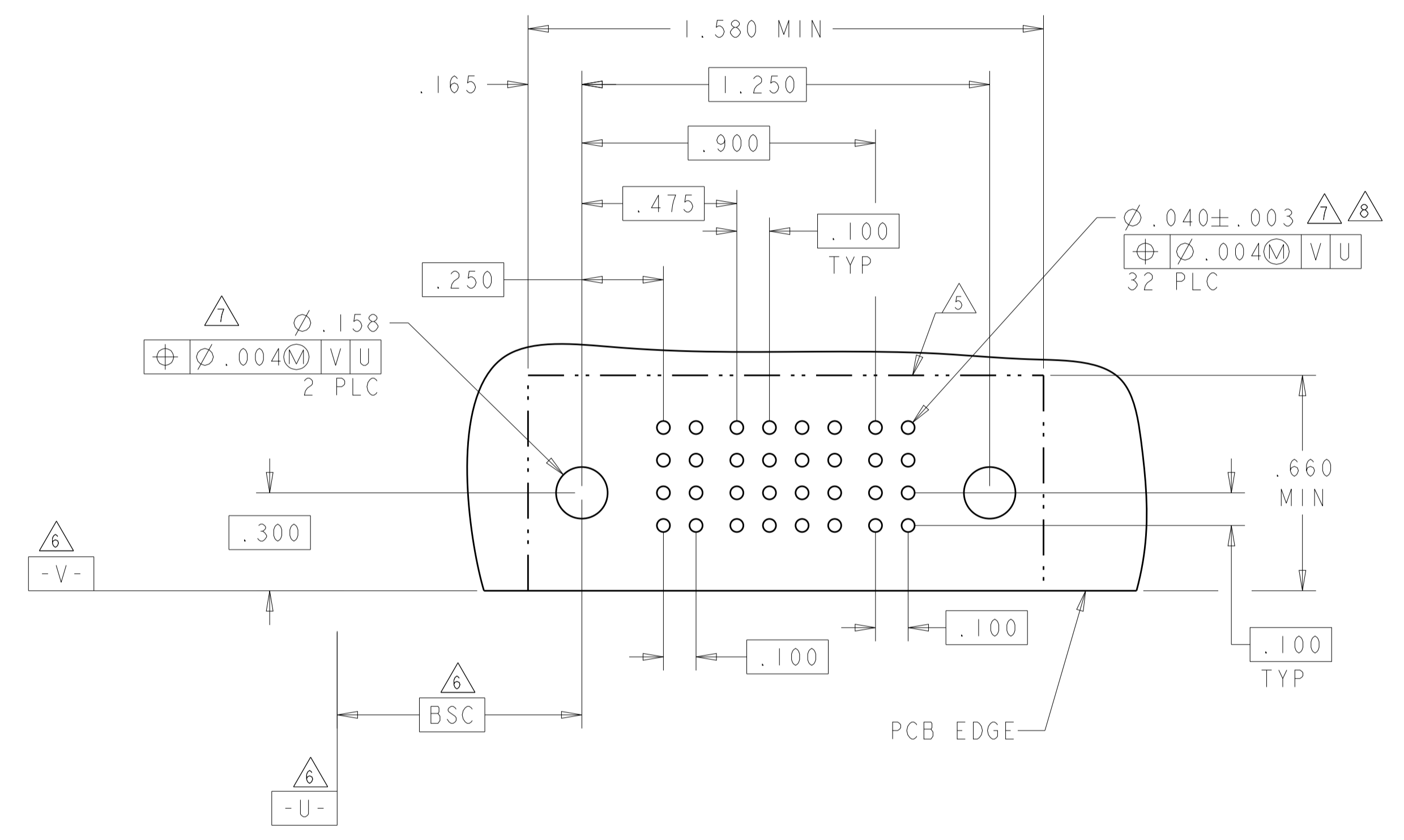
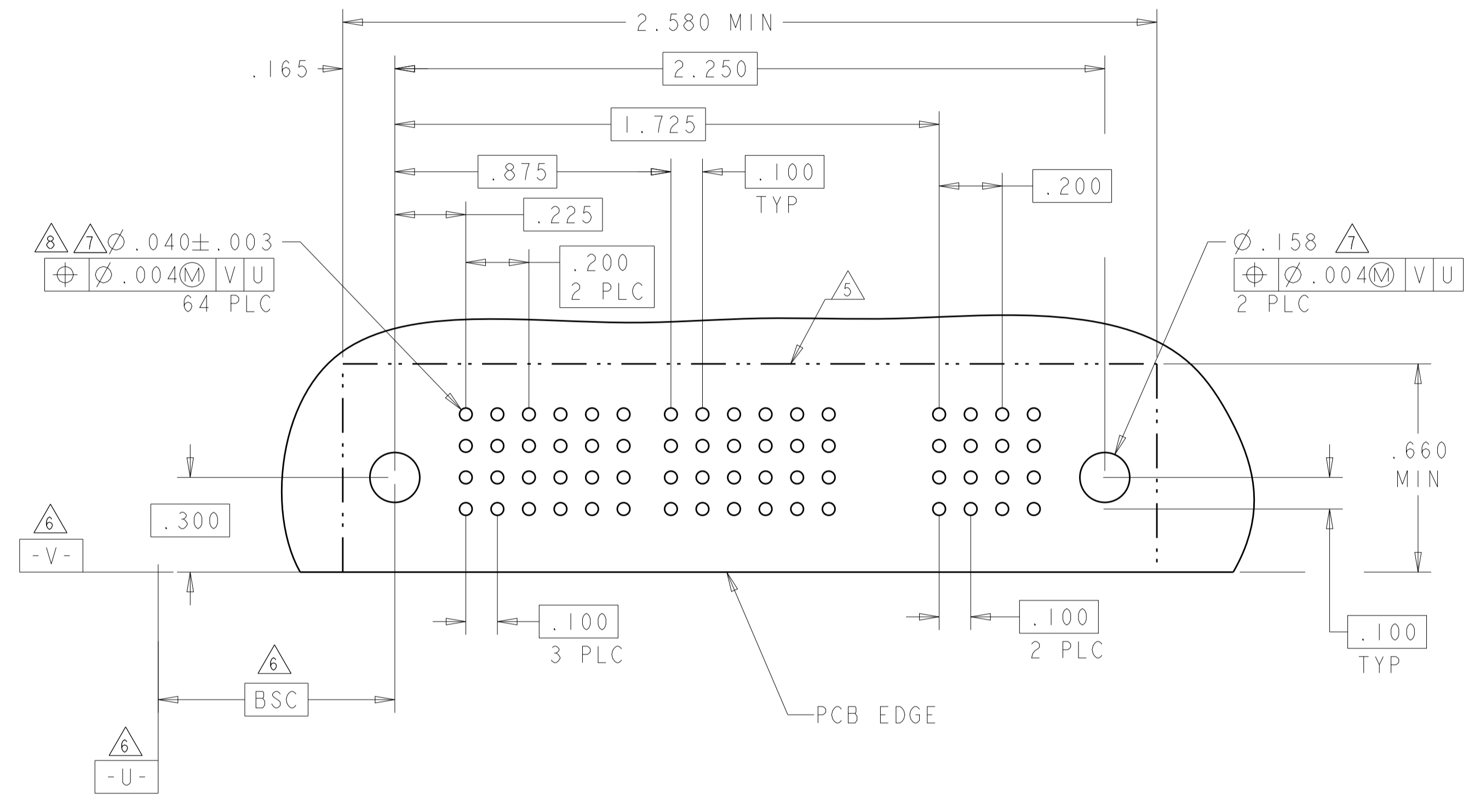
SIZE: A1 CAGE CODE: 6600132

REVISIONS				
P	LTN	DESCRIPTION	DATE	APVD
-	-	SEE SHEET 1	-	-

PART NUMBER	ROWS	POWER			SIGNAL						POWER		
		P1	P2	P3	1	2	3	4	5	6	P4	P5	P6
6600132-9	D	PS	PS	PS	J	J	J	J	J	J	PS	PS	PS
	C				K	K	K	K	K	K			
	B				N	N	N	N	N	N			
	A				H	S	S	S	S	H			
3P + 24S + 3P													

NO CONTACT LOADED

PART NUMBER	ROWS	POWER		SIGNAL				POWER	
		P1	P2	1	2	3	4	P2	P1
1-6600132-0	D	PS	PS	J	J	J	J	PS	PS
	C			K	K	F	K		
	B			N	N	G	N		
	A			S	S	S	S		
1P + 16S + 1P									



PART NUMBER	ROWS	POWER		SIGNAL						POWER	
		P1	P2	1	2	3	4	5	6	P3	P4
1-6600132-1	D	PS	PS	J	J	J	J	J	J	PS	PS
	C			K	K	K	K	K			
	B			N	N	N	N	N			
	A			S	S	S	S	S			
2P + 24S + 2P											

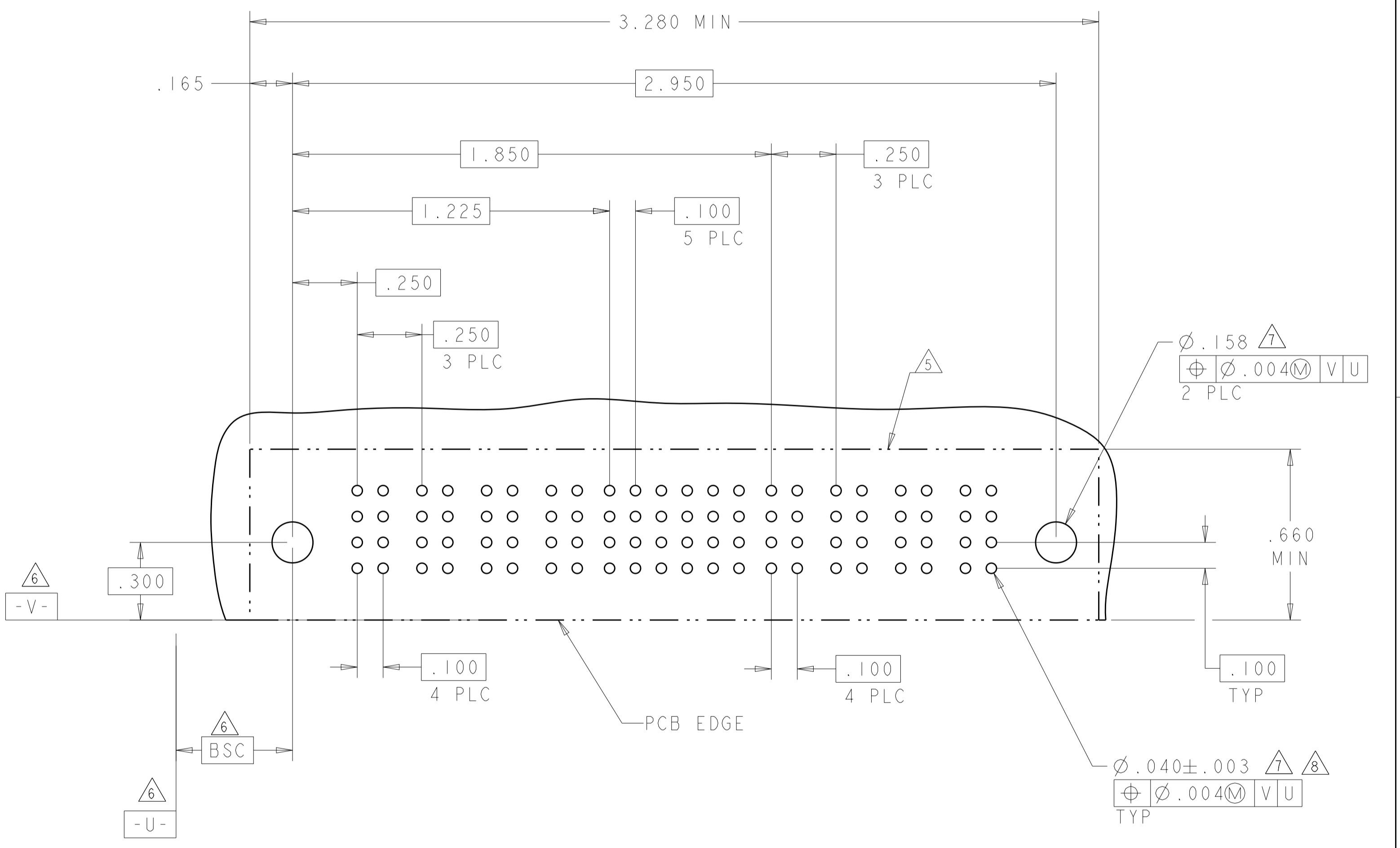
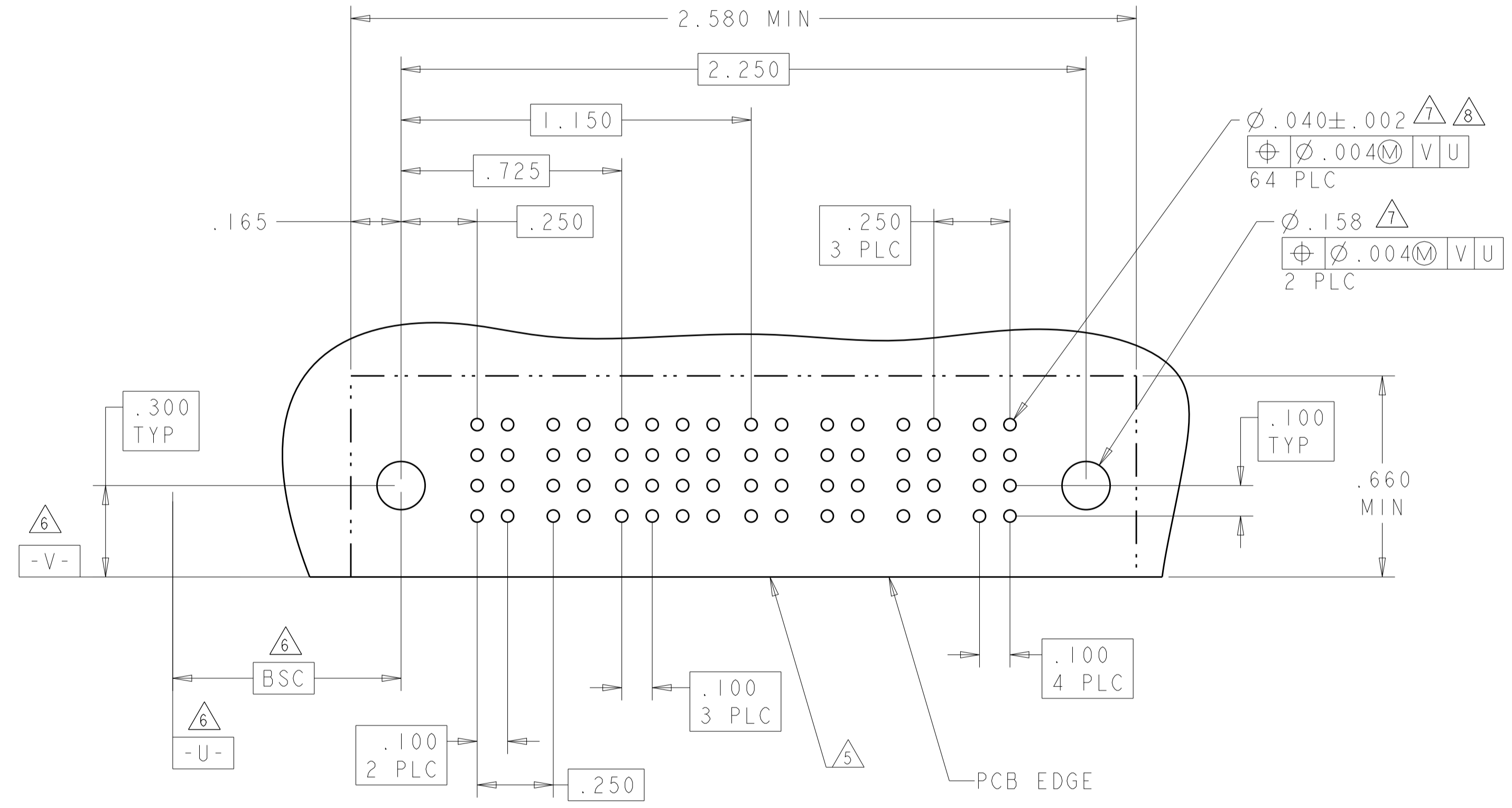
PCB LAYOUT OF 1-6600132-1 IS THE SAME AS 6600132-1.

THIS DRAWING IS A CONTROLLED DOCUMENT.		DWN R. GRZYBOWSKI 13JUN05 CHK M. PERCHERKE 13JUN05 APVD M. PERCHERKE	TE Connectivity
DIMENSIONS: INCHES	TOLERANCES UNLESS OTHERWISE SPECIFIED: 0 PLC ±. 1 PLC ±.01 2 PLC ±.01 3 PLC ±.005 4 PLC ±.0020 ANGLES ±.7° FINISH	NAME PRODUCT SPEC APPLICATION SPEC CAGE CODE DRAWING NO WEIGHT	
MATERIAL FINISH	CUSTOMER DRAWING	SIZE A1 CAGE CODE 6600132 SCALE 4:1 SHEET 6 OF 7 REV E7	RESTRICTED TO

REVISIONS				
P. LTR.	DESCRIPTION	DATE	OWN	APVD
-	SEE SHEET 1	-	-	-

PART NUMBER	ROWS	POWER		SIGNAL				POWER					
		P1	P2	1	2	3	4	P3	P4	P5	P6		
1-6600132-2	D	PS	PS	J	J	J	J	PS	PS	PS	PS		
	C			F	K	F	K					F	K
	B			G	G	G	G						
A	S	S	S	S									
2P + 16S + 4P													

PART NUMBER	ROWS	POWER				SIGNAL						POWER			
		P1	P2	P3	P4	1	2	3	4	5	6	P5	P6	P7	P8
1-6600132-4	D	PS	PS	PS	PS	J	J	J	J	J	J	PS	PS	PS	PS
	C					K	K	K	K	K					
	B					N	N	N	N	N					
	A					S	S	S	S	H					
4P + 24S + 4P															



THIS DRAWING IS A CONTROLLED DOCUMENT.		OWN: R. GRZYBOWSKI 13JUN05	 TE Connectivity
DIMENSIONS: INCHES		CHK: M. PERCHERKE 13JUN05	
TOLERANCES UNLESS OTHERWISE SPECIFIED: 0 PLC ±. 1 PLC ±.01 2 PLC ±.01 3 PLC ±.005 4 PLC ±.0020 ANGLES ±.2°		APVD: M. PERCHERKE	
MATERIAL: -		PRODUCT SPEC: 108-1973	NAME: RIGHT ANGLE HEADER W/GUIDES ASSEMBLY
FINISH: -		APPLICATION SPEC: 114-13038	PRODUCT SPEC: MULTI-BEAM XL (DUAL-BEAM POWER)
WEIGHT: -		SCALE: 4:1	SIZE: A1
CUSTOMER DRAWING		DRAWING NO: C=6600132	RESTRICTED TO: -
		SHEET 7 OF 7	REV: E7

Компания «Life Electronics» занимается поставками электронных компонентов импортного и отечественного производства от производителей и со складов крупных дистрибьюторов Европы, Америки и Азии.

С конца 2013 года компания активно расширяет линейку поставок компонентов по направлению коаксиальный кабель, кварцевые генераторы и конденсаторы (керамические, пленочные, электролитические), за счёт заключения дистрибьюторских договоров

Мы предлагаем:

- Конкуренспособные цены и скидки постоянным клиентам.
- Специальные условия для постоянных клиентов.
- Подбор аналогов.
- Поставку компонентов в любых объемах, удовлетворяющих вашим потребностям.
- Приемлемые сроки поставки, возможна ускоренная поставка.
- Доставку товара в любую точку России и стран СНГ.
- Комплексную поставку.
- Работу по проектам и поставку образцов.
- Формирование склада под заказчика.
- Сертификаты соответствия на поставляемую продукцию (по желанию клиента).
- Тестирование поставляемой продукции.
- Поставку компонентов, требующих военную и космическую приемку.
- Входной контроль качества.
- Наличие сертификата ISO.

В составе нашей компании организован Конструкторский отдел, призванный помогать разработчикам, и инженерам.

Конструкторский отдел помогает осуществить:

- Регистрацию проекта у производителя компонентов.
- Техническую поддержку проекта.
- Защиту от снятия компонента с производства.
- Оценку стоимости проекта по компонентам.
- Изготовление тестовой платы монтаж и пусконаладочные работы.



Тел: +7 (812) 336 43 04 (многоканальный)
Email: org@lifeelectronics.ru