

### FEATURES

- 16-element FIFO for event recording
- 19 configurable I/Os allowing functions such as
  - Keypad decoding for matrix up to 11 × 8
  - Key press/release interrupts
  - Key pad lock/unlock
- GPIO functions
  - GPI with selectable interrupt level
  - 100 kΩ or 300 kΩ pull-up resistors
  - 300 kΩ pull-down resistors
  - GPO with push-pull or open drain
- Dual programmable logic blocks
- PWM generator
  - Internal PWM generation
  - External PWM with internal PWM AND function
- Clock divider
- Reset generators
- I<sup>2</sup>C interface with fast-mode plus (Fm+) support up to 1 MHz
- Open-drain interrupt output
- 24-lead LFCSP 3.5 mm × 3.5 mm
- 25-ball WLCSP 1.99 mm × 1.99 mm

### APPLICATIONS

Devices requiring keypad entry and I/O expansion capabilities

### GENERAL DESCRIPTION

The **ADP5589** is a 19 I/O port expander with built-in keypad matrix decoder, programmable logic, reset generator, and PWM generator. I/O expander ICs are used in portable devices (phones, remote controls, and cameras) and nonportable applications (healthcare, industrial, and instrumentation). I/O expanders can be used to increase the number of I/Os available to a processor or to reduce the number of I/Os required through interface connectors for front panel designs.

The **ADP5589**, which handles all key scanning and decoding, can flag the main processor via an interrupt line when new key events have occurred. In addition, GPI changes and logic changes can be tracked as events via the FIFO, eliminating the

### FUNCTIONAL BLOCK DIAGRAM

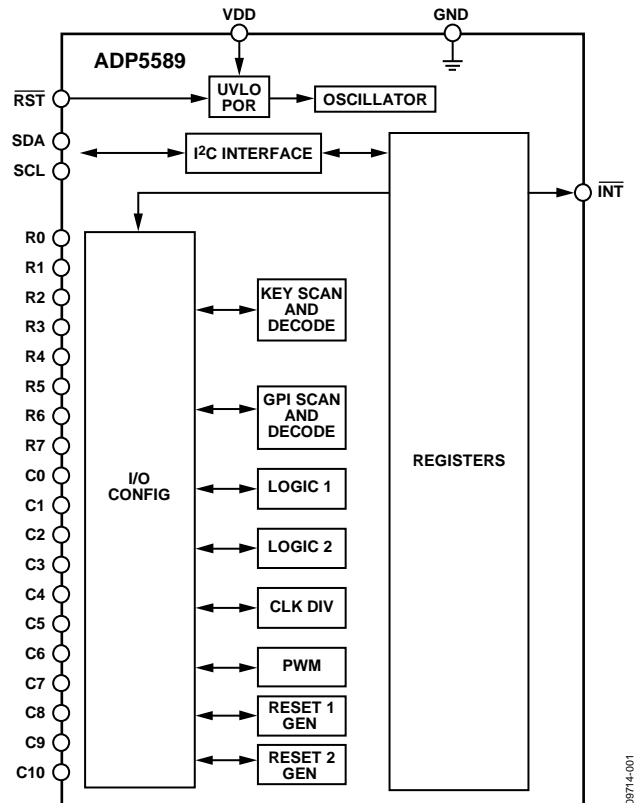


Figure 1.

need to monitor different registers for event changes. The **ADP5589** is equipped with a FIFO to store up to 16 events. Events can be read back by the processor via an I<sup>2</sup>C compatible interface.

The **ADP5589** frees up the main processor from having to monitor the keypad, thereby reducing power consumption and/or increasing processor bandwidth for performing other functions.

The programmable logic functions allow common logic requirements to be integrated as part of the GPIO expander, saving board area and cost.

**TABLE OF CONTENTS**

Features .....	1	Event FIFO .....	9
Applications.....	1	Key Scan Control.....	9
Functional Block Diagram .....	1	GPO Output.....	15
General Description .....	1	Logic Blocks .....	16
Revision History .....	2	PWM Block.....	17
Specifications.....	3	Clock Divider Block.....	17
Absolute Maximum Ratings.....	5	Reset Blocks .....	17
Thermal Resistance .....	5	Interrupts.....	18
ESD Caution.....	5	Register Interface.....	19
Pin Configuration and Function Descriptions.....	6	Register Map .....	21
Quick Device Overview.....	7	Detailed Register Descriptions .....	23
Device Enable.....	8	Application Diagram.....	48
Device Overview .....	8	Outline Dimensions .....	49
Detailed Description .....	9	Ordering Guide .....	49

**REVISION HISTORY**

**1/13—Rev. A to Rev. B**

Changes to Detailed Register Descriptions Section and Table 7 .....	22
Changes to Table 33 and Table 34 .....	29
Changes to Table 36.....	30
Changes to Table 37.....	31
Changes to Table 69.....	41
Changes to Table 84.....	46
Changes to Figure 31 .....	48

**8/11—Revision A: Initial Version**

## SPECIFICATIONS

VDD = 1.8 V to 3.3 V, T<sub>A</sub> = -40°C to +85°C, unless otherwise noted.<sup>1</sup>

Table 1.

Parameter	Symbol	Test Conditions/Comments	Min	Typ	Max	Unit
<b>SUPPLY VOLTAGE</b>						
VDD Input Voltage Range	VDD		1.65		3.6	V
Undervoltage Lockout Threshold	UVLO <sub>VDD</sub>	UVLO active, VDD falling UVLO inactive, VDD rising	1.2	1.3 1.4		V V
<b>SUPPLY CURRENT</b>						
Standby Current	I <sub>STNBY</sub>	VDD = 1.65 V VDD = 3.3 V		1 1	4 10	μA μA
Operating Current (One Key Press)	I <sub>SCAN = 10 ms</sub>	CORE_FREQ = 50 kHz, scan active, 300 kΩ pull-up, VDD = 1.65 V		30	40	μA
	I <sub>SCAN = 10 ms</sub>	CORE_FREQ = 50 kHz, scan active, 100 kΩ pull-up, VDD = 1.65 V		35	45	μA
	I <sub>SCAN = 10 ms</sub>	CORE_FREQ = 50 kHz, scan active, 300 kΩ pull-up, VDD = 3.3 V		75	85	μA
	I <sub>SCAN = 10 ms</sub>	CORE_FREQ = 50 kHz, scan active, 100 kΩ pull-up, VDD = 3.3 V		80	90	μA
<b>PULL-UP, PULL-DOWN RESISTANCE</b>						
Pull-Up Option 1			50	100	150	kΩ
Pull-Up Option 2			150	300	450	kΩ
Pull-Down			150	300	450	kΩ
<b>INPUT LOGIC LEVEL (RST, SCL, SDA, R0, R1, R2, R3, R4, R5, R6, R7, C0, C1, C2, C3, C4, C5, C6, C7, C8, C9, C10)</b>						
Logic Low Input Voltage	V <sub>IL</sub>				0.3 × VDD	V
Logic High Input Voltage	V <sub>IH</sub>		0.7 × VDD			V
Input Leakage Current (Per Pin)	V <sub>F-Leak</sub>			0.1	1	μA
<b>PUSH-PULL OUTPUT LOGIC LEVEL (R0, R1, R2, R3, R4, R5, R6, R7, C0, C1, C2, C3, C4, C5, C6, C7, C8, C9, C10)</b>						
Logic Low Output Voltage <sup>2</sup>	V <sub>OL</sub>	Sink current = 10 mA			0.4	V
Logic Low Output Voltage <sup>3</sup>	V <sub>OL</sub>	Sink current = 10 mA			0.5	V
Logic High Output Voltage	V <sub>OH</sub>	Source current = 5 mA	0.7 × VDD			V
Logic High Leakage Current (Per Pin)	V <sub>OH-Leak</sub>			0.1	1	μA
<b>OPEN-DRAIN OUTPUT LOGIC LEVEL (INT, SDA)</b>						
Logic Low Output Voltage (INT)	V <sub>OL</sub>	I <sub>SINK</sub> = 10 mA			0.4	V
Logic Low Output Voltage (SDA)	V <sub>OL</sub>	I <sub>SINK</sub> = 20 mA			0.4	V
Logic High Leakage Current (Per Pin)	V <sub>OH-Leak</sub>			0.1	1	μA
Logic Propagation Delay				125	300	ns
FF1 Hold Time <sup>4</sup>				0		ns
FF1 Setup Time <sup>4</sup>				175		ns
FF2 Hold Time <sup>4</sup>				0		ns
FF2 Setup Time <sup>4</sup>				175		ns
GPIO Debounce <sup>4</sup>					70	μs
Internal Oscillator Frequency <sup>5</sup>	OSC <sub>FREQ</sub>		900	1000	1100	kHz
<b>I<sup>2</sup>C TIMING SPECIFICATIONS</b>						
Delay from UVLO/Reset Inactive to I <sup>2</sup> C Access					60	μs
SCL Clock Frequency	f <sub>SCL</sub>				1000	kHz
SCL High Time	t <sub>HIGH</sub>		0.26			μs
SCL Low Time	t <sub>LOW</sub>		0.5			μs
Data Setup Time	t <sub>SU;DAT</sub>		50			ns
Data Hold Time	t <sub>HD;DAT</sub>		0			μs
Setup Time for Repeated Start	t <sub>SU;STA</sub>		0.26			μs

Parameter	Symbol	Test Conditions/Comments	Min	Typ	Max	Unit
Hold Time for Start/Repeated Start	$t_{HD; STA}$		0.26			$\mu s$
Bus Free Time for Stop and Start Condition	$t_{BUF}$		0.5			$\mu s$
Setup Time for Stop Condition	$t_{SU; STO}$		0.26			$\mu s$
Data Valid Time	$t_{VD; DAT}$				0.45	$\mu s$
Data Valid Acknowledge	$t_{VD; ACK}$				0.45	$\mu s$
Rise Time for SCL and SDA	$t_R$				120	ns
Fall Time for SCL and SDA	$t_F$				120	ns
Pulse Width of Suppressed Spike	$t_{SP}$		0		50	ns
Capacitive Load for Each Bus Line	$C_B^6$				550	pF

<sup>1</sup> All limits at temperature extremes are guaranteed via correlation using standard statistical quality control (SQC). Typical values are at  $T_A = 25^\circ C$ ,  $V_{DD} = 1.8 V$ .

<sup>2</sup> Maximum of five GPIOs active simultaneously.

<sup>3</sup> All GPIOs active simultaneously.

<sup>4</sup> Guaranteed by design.

<sup>5</sup> All timers are referenced from the base oscillator and have the same  $\pm 10\%$  accuracy.

<sup>6</sup>  $C_B$  is the total capacitance of one bus line in picofarads.

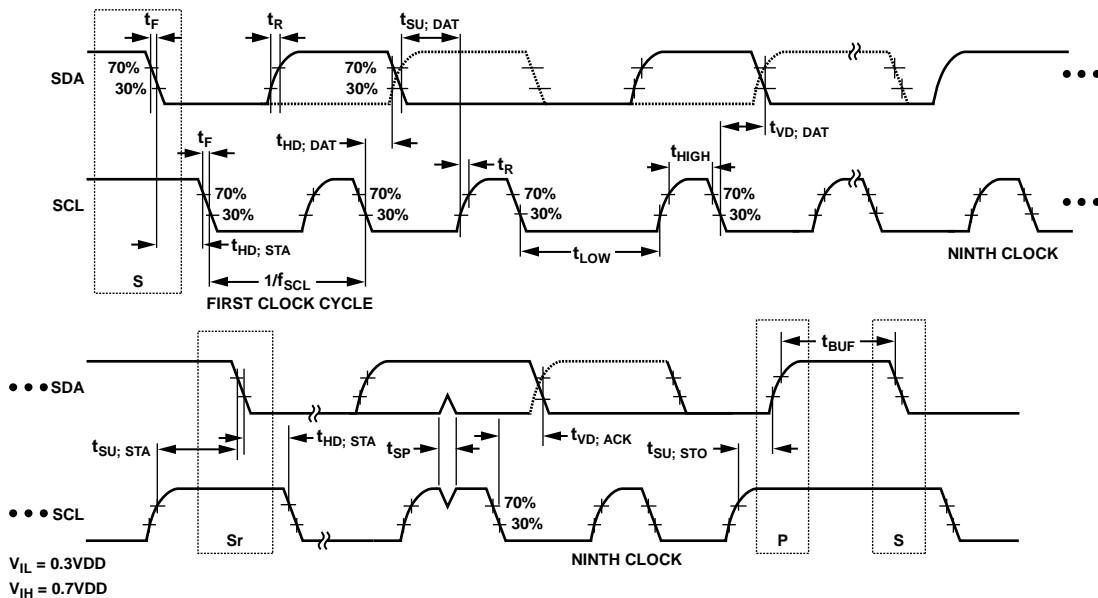


Figure 2. I<sup>2</sup>C Interface Timing Diagram

09714-002

## ABSOLUTE MAXIMUM RATINGS

Table 2.

Parameter	Rating
VDD to Ground	−0.3 V to 4 V
SCL, SDA, $\overline{\text{RST}}$ , $\overline{\text{INT}}$ , R0, R1, R2, R3, R4, R5, R6, R7, C0, C1, C2, C3, C4, C5, C6, C7, C8, C9, C10 to Ground	−0.3 V to (VDD + 0.3 V)
Operating Ambient Temperature Range	−40°C to +85°C <sup>1</sup>
Operating Junction Temperature Range	−40°C to +125°C
Storage Temperature Range	−65°C to +150°C
Soldering Conditions	JEDEC J-STD-020

<sup>1</sup> In applications where high power dissipation and poor thermal resistance are present, the maximum ambient temperature may have to be derated. Maximum ambient temperature ( $T_{A(\text{MAX})}$ ) is dependent on the maximum operating junction temperature ( $T_{J(\text{MAXOP})} = 125^\circ\text{C}$ ), the maximum power dissipation of the device ( $P_{D(\text{MAX})}$ ), and the junction-to-ambient thermal resistance of the part/package in the application ( $\theta_{JA}$ ), using the following equation:  $T_{A(\text{MAX})} = T_{J(\text{MAXOP})} - (\theta_{JA} \times P_{D(\text{MAX})})$ .

Stresses above those listed under Absolute Maximum Ratings may cause permanent damage to the device. This is a stress rating only; functional operation of the device at these or any other conditions above those indicated in the operational section of this specification is not implied. Exposure to absolute maximum rating conditions for extended periods may affect device reliability.

Absolute maximum ratings apply individually only, not in combination. Unless otherwise specified, all other voltages are referenced to ground.

## THERMAL RESISTANCE

$\theta_{JA}$  is specified for the worst-case conditions, that is, a device soldered in a circuit board for surface-mount packages.

Table 3.

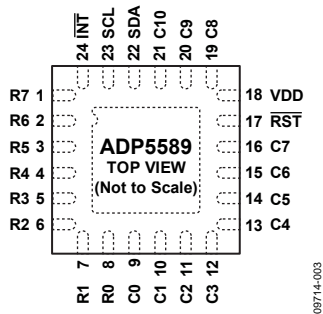
Thermal Resistance	$\theta_{JA}$	Unit
24-Lead LFCSP	43.83	C/W
Maximum Power Dissipation	120	mW
25-Ball WLCSP	43	C/W
Maximum Power Dissipation	120	mW

## ESD CAUTION



**ESD (electrostatic discharge) sensitive device.** Charged devices and circuit boards can discharge without detection. Although this product features patented or proprietary protection circuitry, damage may occur on devices subjected to high energy ESD. Therefore, proper ESD precautions should be taken to avoid performance degradation or loss of functionality.

# PIN CONFIGURATION AND FUNCTION DESCRIPTIONS



NOTES  
1. THE EXPOSED PAD MUST BE CONNECTED TO GROUND.

Figure 3. LFCSP Pin Configuration

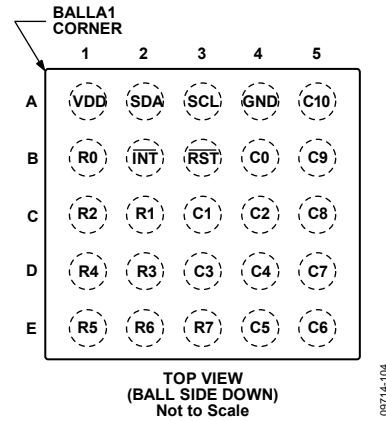


Figure 4. WLCSP Pin Configuration

Table 4. Pin Function Descriptions

Pin No. (LFCSP)	Pin No. (WLCSP)	Mnemonic	Description
1	E3	R7	GPIO 8. This pin functions as Row 7 if used as keypad.
2	E2	R6	GPIO 7. This pin functions as Row 6 if used as keypad.
3	E1	R5	GPIO 6. This pin functions as Row 5 if used as keypad.
4	D1	R4	GPIO 5 (GPIO alternate function: RESET1). This pin functions as Row 4 if used as keypad.
5	D2	R3	GPIO 4 (GPIO alternate function: LC1, PWM_OUT, or CLK_OUT). This pin functions as Row 3 if used as keypad.
6	C1	R2	GPIO 3 (GPIO alternate function: LB1). This pin functions as Row 2 if used as keypad.
7	C2	R1	GPIO 2 (GPIO alternate function: LA1). This pin functions as Row 1 if used as keypad.
8	B1	R0	GPIO 1 (GPIO alternate function: LY1). This pin functions as Row 0 if used as keypad.
9	B4	C0	GPIO 9. This pin functions as Column 0 if used as keypad.
10	C3	C1	GPIO 10. This pin functions as Column 1 if used as keypad.
11	C4	C2	GPIO 11. This pin functions as Column 2 if used as keypad.
12	D3	C3	GPIO 12. This pin functions as Column 3 if used as keypad.
13	D4	C4	GPIO 13 (GPIO alternate function: RESET2). This pin functions as Column 4 if used as keypad.
14	E4	C5	GPIO 14. This pin functions as Column 5 if used as keypad.
15	E5	C6	GPIO 15 (GPIO alternate function: LC2, PWM_IN, or CLK_IN). This pin functions as Column 6 if used as keypad.
16	D5	C7	GPIO 16 (GPIO alternate function: LB2). This pin functions as Column 7 if used as keypad.
17	B3	RST	Input Reset Signal.
18	A1	VDD	Supply Voltage Input.
19	C5	C8	GPIO 17 (GPIO alternate function: LA2). This pin functions as Column 8 if used as keypad.
20	B5	C9	GPIO 18 (GPIO alternate function: LY2). This pin functions as Column 9 if used as keypad.
21	A5	C10	GPIO 19. This pin functions as Column 10 if used as keypad.
22	A2	SDA	I <sup>2</sup> C Data Input/Output.
23	A3	SCL	I <sup>2</sup> C Clock Input.
24	B2	INT	Open-Drain Interrupt Output.
EP (pad)	A4	GND	Ground. The exposed pad of the LFCSP package must be connected to ground.

QUICK DEVICE OVERVIEW

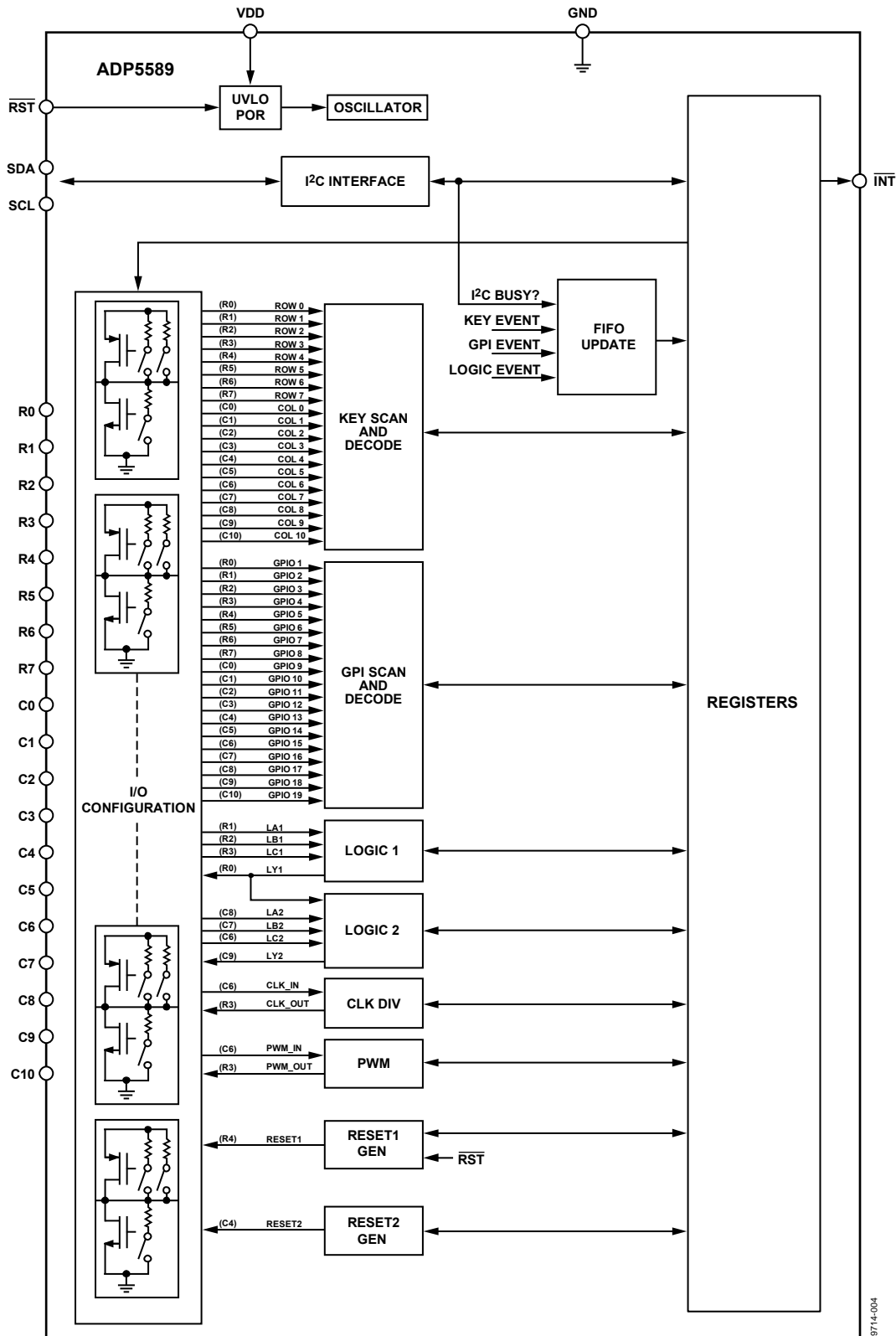


Figure 5. Internal Block Diagram

09714-004

**DEVICE ENABLE**

When sufficient voltage is applied to VDD and the  $\overline{\text{RST}}$  pin is driven with a logic high level, the ADP5589 starts up in standby mode with all settings at default. The user can configure the device via the I<sup>2</sup>C interface. When the  $\overline{\text{RST}}$  pin is low, the ADP5589 enters a reset state and all settings return to default. The  $\overline{\text{RST}}$  pin features a debounce filter.

**DEVICE OVERVIEW**

The ADP5589 contains 19 multiconfigurable input/output pins. Each pin can be programmed to enable the device to carry out its various functions, as follows:

- Keypad matrix decoding (11-column by 8-row matrix maximum).
- General-purpose I/O expansion (up to 19 inputs/outputs).
- PWM generation.
- Clock division of externally supplied source.
- Dual logic function building blocks (up to three inputs, one output).
- Two reset generators.

All 19 input/output pins have an I/O structure, as shown in Figure 6.

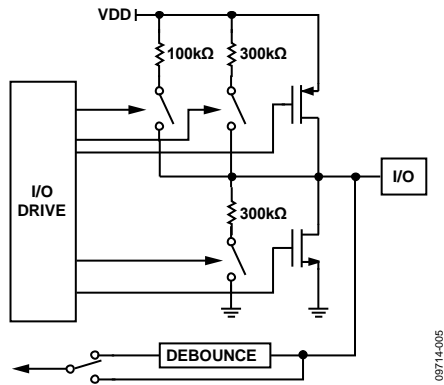


Figure 6. I/O Structure

09714-005

Each I/O can be pulled up with a 100 kΩ or 300 kΩ resistor or pulled down with a 300 kΩ resistor. For logic output drive, each I/O has a 5 mA PMOS source and a 10 mA NMOS sink for push-pull type output. For open-drain output situations, the 5 mA PMOS source is not enabled. For logic input applications, each I/O can be sampled directly or, alternatively, sampled through a debounce filter.

The I/O structure shown in Figure 6 allows for all GPI and GPO functions, as well as PWM and clock divide functions. For key matrix scan and decode, the scanning circuit uses the 100 kΩ or 300 kΩ resistor for pulling up keypad row pins and the 10 mA NMOS sinks for grounding keypad column pins (see the Key Scan Control section for details about key decoding).

Configuration of the device is carried out by programming an array of internal registers via the I<sup>2</sup>C interface. Feedback of device status and pending interrupts can be flagged to an external processor via the INT pin.

The ADP5589 is offered with three feature sets. Table 5 lists the options that are available for each model of the ADP5589.

**Table 5. Available Options**

Models	Description
ADP5589ACPZ-00-R7 ADP5589ACBZ-00-R7	All GPIOs pulled up (default option)
ADP5589ACPZ-01-R7 ADP5589ACBZ-01-R7	Reset pass-through <sup>1</sup>
ADP5589ACPZ-02-R7 ADP5589ACBZ-02-R7	Pull-down on special function pins <sup>2</sup>

<sup>1</sup> Reset pass-through implies that the RESET1 output (R4) follows the logic level of the reset input pin,  $\overline{\text{RST}}$ , after the oscillator has been enabled.

<sup>2</sup> Special function pins are defined as R0 (Row 0), R3 (Row 3), R4 (Row 4), C4 (Column 4), C6 (Column 6), and C9 (Column 9).



## DETAILED DESCRIPTION

### EVENT FIFO

It is important to understand the function of the event FIFO. The ADP5589 features an event FIFO that can record as many as 16 events. By default, the FIFO primarily records key events, such as key press and key release. However, it is possible to configure the general-purpose input (GPI) and logic activity to generate event information on the FIFO as well. An event count, EC[4:0], is composed of five bits and works in tandem with the FIFO so that the user knows how much of the FIFO must be read back at any given time.

The FIFO is composed of 16 eight-bit sections that the user accesses by reading the FIFO\_x registers. The actual FIFO is not in user accessible registers until a read occurs. The FIFO can be thought of as a “first in, first out” buffer used to fill Register 0x03 to Register 0x12.

The event FIFO is made up of 16 eight-bit registers. In each register, Bits[6:0] hold the event identifier, and Bit 7 holds the event state. With seven bits, 127 different events can be identified. See Table 11 for event decoding.

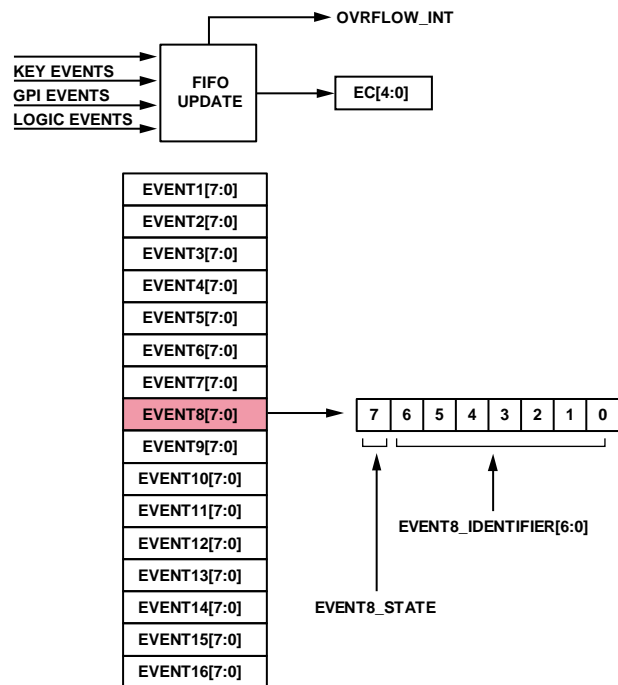


Figure 7. Breakdown of Eventx[7:0] Bits

When events are available on the FIFO, the user should first read back the event count, EC[4:0], to determine how many events must be read back. Events can be read from the top of the FIFO only. When an event is read back, all remaining events in the FIFO are shifted up one location, and the EC[4:0] count is decremented.

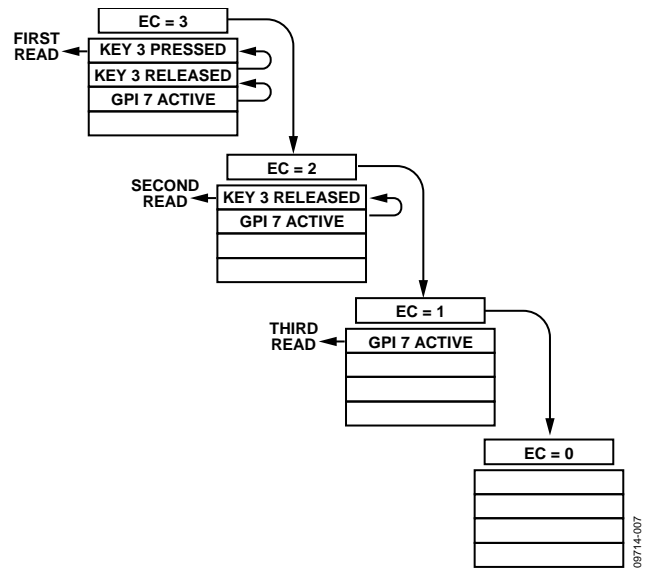


Figure 8. FIFO Operation

The FIFO registers (0x03 to 0x12) always point to the top of the FIFO (that is, the location of EVENT1[7:0]). If the user tries to read back from any location in a FIFO, data is always obtained from the top of that FIFO. This ensures that events can only be read back in the order in which they occurred, thus ensuring the integrity of the FIFO system.

Some of the onboard functions of ADP5589 can be programmed to generate events on the FIFO. A FIFO update control block manages updates to the FIFO. If an I<sup>2</sup>C transaction is accessing any of the FIFO address locations, updates are paused until the I<sup>2</sup>C transaction has completed.

A FIFO overflow event occurs when more than 16 events are generated prior to an external processor reading a FIFO and clearing it.

If an overflow condition occurs, the overflow status bit is set. An interrupt is generated if overflow interrupt is enabled, signaling to the processor that more than 16 events have occurred.

### KEY SCAN CONTROL

#### General

The 19 input/output pins can be configured to decode a keypad matrix up to a maximum size of 88 switches (11 × 8 matrix). Smaller matrices can also be configured, freeing up the unused row and column pins for other I/O functions.

The R0 through R7 I/O pins comprise the rows of the keypad matrix. The C0 through C10 I/O pins comprise the columns of the keypad matrix. Pins used as rows are pulled up via the internal 300 kΩ (or 100 kΩ) resistors. Pins used as columns are driven low via the internal NMOS current sink.

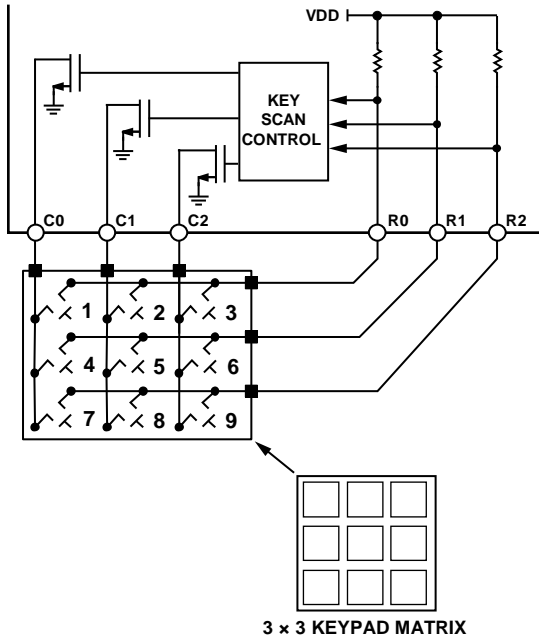


Figure 9. Simplified Key Scan Block

Figure 9 shows a simplified representation of the key scan block using three row and three column pins connected to a small 3 × 3, nine-switch keypad matrix. When the key scanner is idle, the row pins are pulled high and the column pins are driven low. The key scanner operates by checking the row pins to see if they are low.

If Switch 6 in the matrix is pressed, R1 connects to C2. The key scan circuit senses that one of the row pins is pulled low, and a key scan cycle begins. Key scanning involves driving all column pins high, then driving each column pin, one at a time, low and sensing whether a row pin is low or not. All row/column pairs are

scanned; therefore, if multiple keys are pressed, they are detected.

To prevent glitches or narrow press times being registered as a valid key press, the key scanner requires the key be pressed for two scan cycles. The key scanner has a wait time between each scan cycle; therefore, the key must be pressed and held for at least this wait time to register as being pressed. If the key is continuously pressed, the key scanner continues to scan, wait, scan, wait, and so forth.

If Switch 6 is released, the connection between R1 and C2 breaks, and R1 is pulled up high. The key scanner requires that the key be released for two scan cycles because the release of a key is not necessarily in sync with the key scanner, it may take up to two full wait/scan cycles for a key to register as released. When the key is registered as released, and no other keys are pressed, the key scanner returns to idle mode.

For the remainder of this document, the press/release status of a key is represented as simply a logic signal in the figures. A logic high level represents the key status as pressed, and a logic low represents released. This eliminates the need to draw individual row/column signals when describing key events.

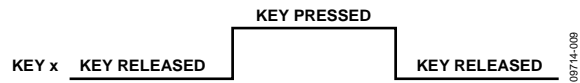


Figure 10. Logic Low: Released; Logic High: Pressed

Figure 11 shows a detailed representation of the key scan block and its associated control and status signals. When all row and column pins are used, a matrix of 88 unique keys can be scanned.

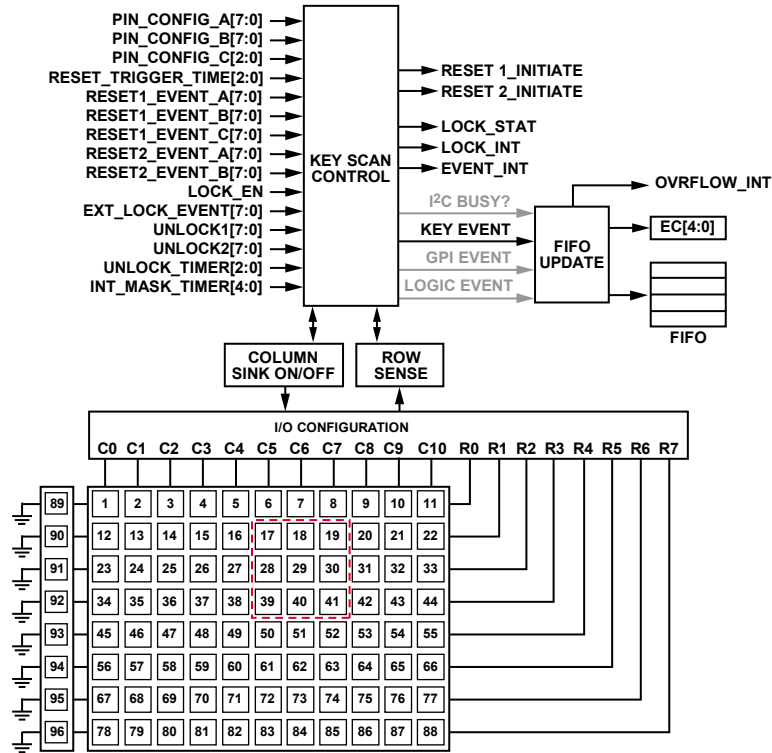


Figure 11. Detailed Key Scan Block

Use Registers PIN\_CONFIG\_A[7:0] (0x49), PIN\_CONFIG\_B[7:0] (0x4A), and PIN\_CONFIG\_C[2:0] (0x4B) to configure I/Os for keypad decoding. The number label on each key switch represents the event identifier that is recorded if that switch is pressed. If all row/column pins are configured, it is possible to observe all 88 key identifiers on the FIFO.

If a smaller 3 × 3 matrix is configured, for example, using the C5, C6, and C7 column pins and the R1, R2, and R3 row pins, only the nine event identifiers (17, 18, 19, 28, 29, 30, 39, 40, and 41) can possibly be observed on the FIFO, as shown in Figure 11.

By default, the ADP5589 records key presses and releases on the FIFO. Figure 12 illustrates what happens when a single key is pressed and released. Initially, the key scanner is idle. When Key 32 is pressed, the scanner begins scanning through all configured row/column pairs. After the scan wait time, the scanner again scans through all configured row/column pairs and detects that Key 32 has remained pressed, which sets the EVENT\_INT interrupt. The event counter, EC[4:0], is incremented to 1, EVENT1[7:0] of the FIFO is updated with its event identifier set to 32, and its Event1\_State bit is set to 1, indicating a press.

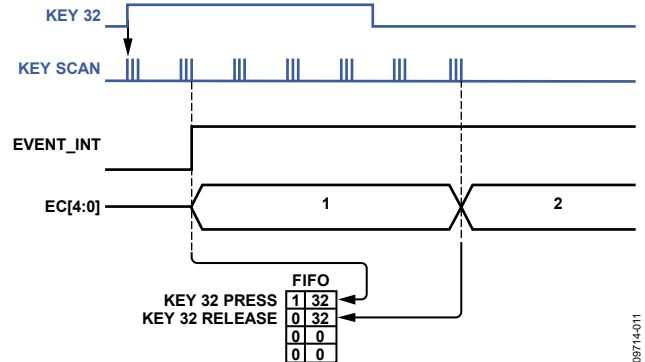


Figure 12. Press and Release Event

The key scanner continues the scan/wait cycles while the key remains pressed. If the scanner detects that the key has been released for two consecutive scan cycles, the event counter EC[4:0] is incremented to 2, and EVENT2[7:0] of the FIFO is updated with its event identifier set to 32. Its Event2\_State bit is set to 0, indicating a release. The key scanner goes back to idle mode because no other keys are pressed.

The EVENT\_INT interrupt can be triggered by both press and release key events. As shown in Figure 13, if Key 32 is pressed, EVENT\_INT is asserted, EC[4:0] is updated, and the FIFO is updated. During the time that the key is still pressed, it is possible for the FIFO to be read, the event counter decremented to 0, and EVENT\_INT cleared. When the key is finally released, EVENT\_INT is asserted, the event counter incremented, and the FIFO updated with the release event information.

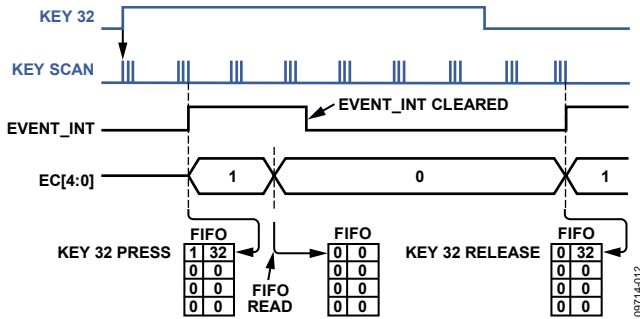


Figure 13. Asserting the EVENT\_INT Interrupt

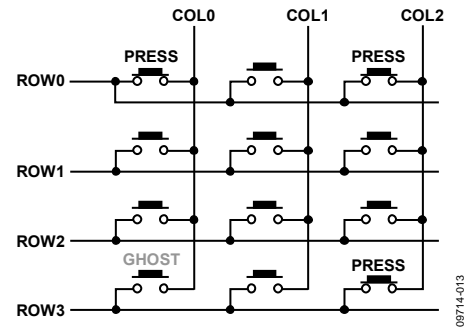


Figure 14. COL0-ROW3 is a Ghost Key Due to Short Between ROW0, COL0, COL2 and ROW3 During Key Press

## Key Pad Extension

As shown in Figure 11, the keypad can be extended if each row is connected directly to ground by a switch. If the switch placed between R0 and ground is pressed, the whole row is grounded. When the key scanner completes scanning, it normally detects Key 1 to Key 11 as being pressed; however, this unique condition is decoded by the ADP5589, and Key Event 89 is assigned to it. Up to eight more key event assignments are possible, allowing the keypad size to extend up to 96. However, if one of the extended keys is pressed, none of the keys on that row is detectable. Activation of a ground key causes all other keys sharing that row to be undetectable.

## Ghosting

Ghosting is an occurrence where, given certain key press combinations on a keypad matrix, a false positive reading of an additional key is detected. Ghosting is created when three or more keys are pressed simultaneously on multiple rows or columns (see Figure 14). Key combinations that form a right angle on the keypad matrix can cause ghosting.

The solution to ghosting is to select a keypad matrix layout that takes into account three key combinations that are most likely to be pressed together. Multiple keys pressed across one row or across one column do not cause ghosting. Staggering keys so that they do not share a column also avoids ghosting. The most common practice is to place keys that are likely to be pressed together in the same row or column. Some examples of keys that are likely to be pressed together are as follows:

- The navigation keys in combination with Select.
- The navigation keys in combination with the space bar.
- The reset combination keys, such as CTRL + ALT + DEL.

## FIFO Lock/Unlock

The ADP5589 features a lock mode, whereby events are prevented from updating the FIFO or the event counter or from generating EVENT\_INT interrupts until an unlock event is detected.

The lock feature is enabled by setting the LOCK\_EN (0x37[0]) bit or, alternatively, by a user programmable key or GPI event (set via EXT\_LOCK\_EVENT[7:0], Address 0x35). If the lock feature is enabled by the LOCK\_EN bit, the LOCK\_STAT (0x02[5]) bit is set. If the lock feature is enabled by an external event, then the LOCK\_STAT bit is set, and a LOCK\_INT interrupt is generated.

Unlock events are programmed via the UNLOCK1[7:0] (0x33) and UNLOCK2[7:0] (0x34) registers. Bits[6:0] comprise the even number. Bit 7 determines the active/inactive event (see the UNLOCK1 Register 0x33 (Table 59) and the UNLOCK2 Register 0x34 (Table 60)).

If the user chooses to use only one unlock event, only the UNLOCK1[7:0] register should be programmed. Unlock events can be key press events (Event 1 to Event 88). Key release events are ignored when the keypad is locked and should not be used as unlock events.

GPIs configured to generate FIFO updates can also be used as unlock events (Event 97 to Event 115, either active or inactive). If either UNLOCKx register is programmed with Value 127 (Event 127), this means that any allowable event (key or GPI) is the unlock event. For example, if UNLOCK1[6:0] is programmed with 17, and UNLOCK2[6:0] is programmed with 127, the unlock sequence is Key 17 press followed by any other allowable event.

If the first unlock event is detected, partial unlock has occurred. If the next event after the first unlock event is not the second unlock event, then a full lock state is entered again. If the next event after the first unlock event is the second unlock event, then LOCK\_STAT is cleared, and a LOCK\_INT interrupt is generated. The user can at any stage clear LOCK\_EN. This clears the LOCK\_STAT bit but does not cause a LOCK\_INT interrupt to be generated.

When full unlock is achieved, FIFO and event count updates resume. Note that if a key press is used as the second unlock event, the release of that key is captured on the FIFO after unlocking is completed.

The ADP5589 features an unlock timer, UNLOCK\_TIMER[2:0] (0x36[2:0]). When enabled, after the first unlock event occurs, the unlock timer begins counting, and the second unlock event must occur before the unlock timer expires. If the unlock timer expires, the first unlock event must occur again to restart the unlock process. Figure 15 shows a simple state diagram of the unlocking process.

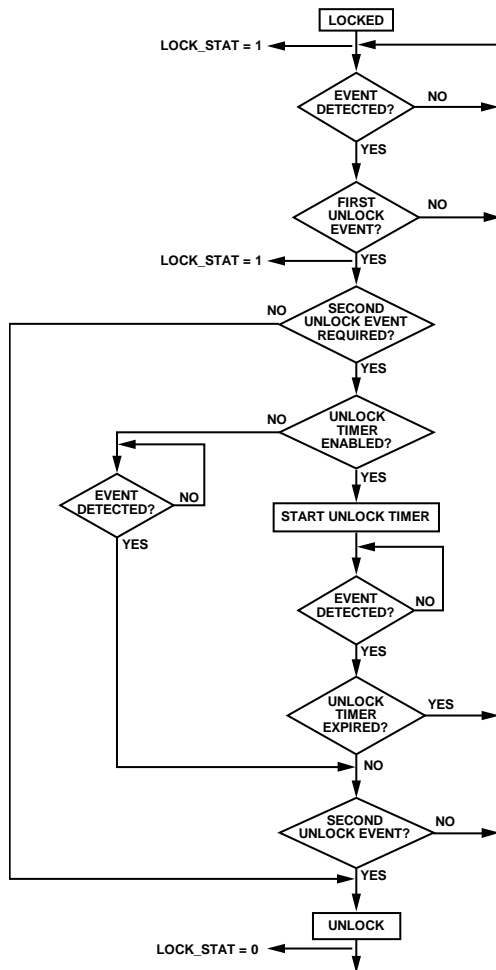


Figure 15. State Diagram of Unlocking Process

When lock mode is enabled, no EVENT\_INT interrupts can be generated until the unlock events occur.

The ADP5589 features an interrupt mask timer, INT\_MASK\_TIMER[4:0] (0x36[7:3]). When this timer and lock mode are enabled, a single EVENT\_INT is generated if any key is pressed or any GPI (programmed to update the FIFO) is active. When the EVENT\_INT is generated, the mask timer begins counting. No additional EVENT\_INT interrupts are generated until the mask timer expires and a new key is pressed or any GPI (programmed to update the FIFO) is active, unless the unlock events occur, in which case, normal operation is resumed.

Allowing a single EVENT\_INT interrupt is useful to alert the processor to turn on its screen and display an unlock message to the user. Blanking out additional key presses ensures that the processor is not unnecessarily interrupted until the unlock events occur. Figure 16 shows the unlock sequence when the interrupt mask timer is enabled.

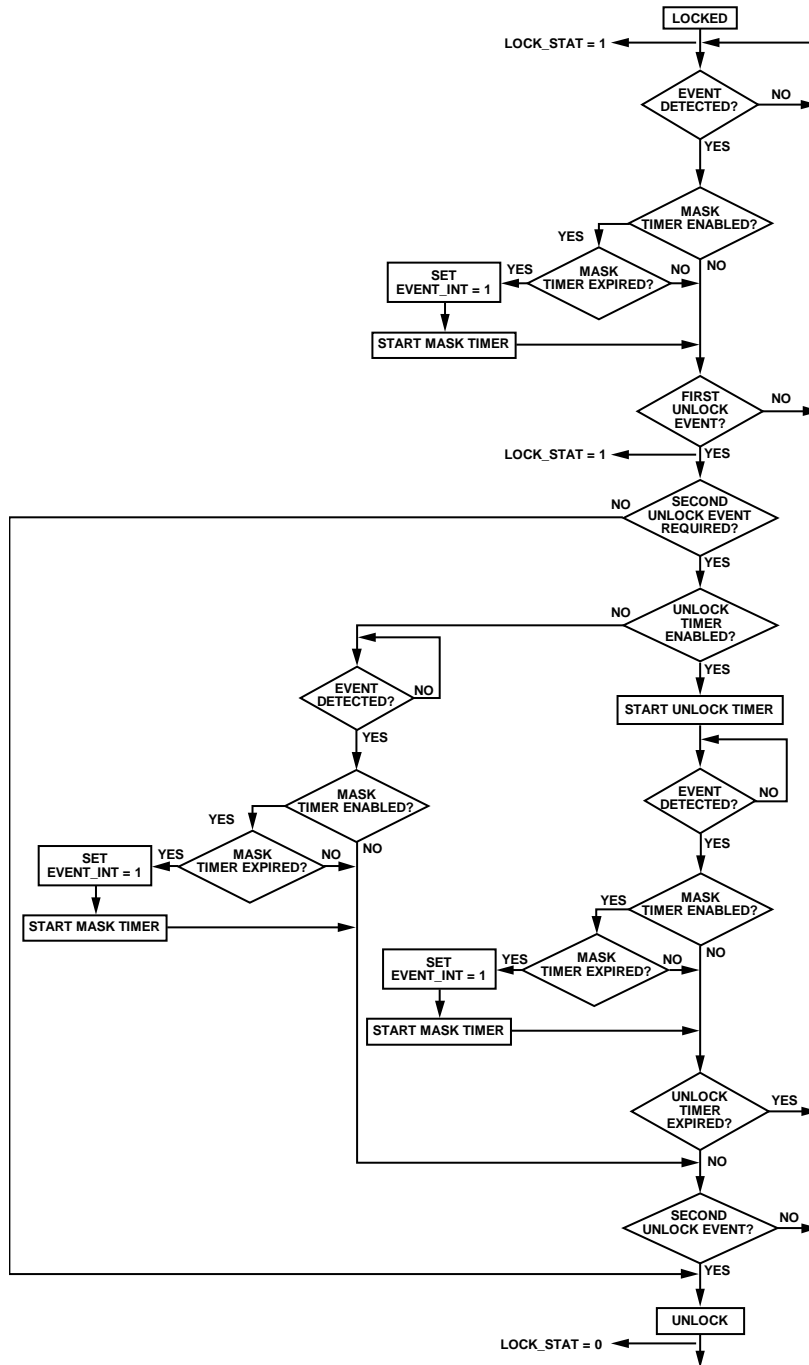


Figure 16. Unlock Sequence

09714-0/15

**GPI Input**

Each of the 19 I/O lines can be configured as a general-purpose logic input line. Figure 17 shows a detailed representation of the GPI scan and detect block and all its associated control and status signals.

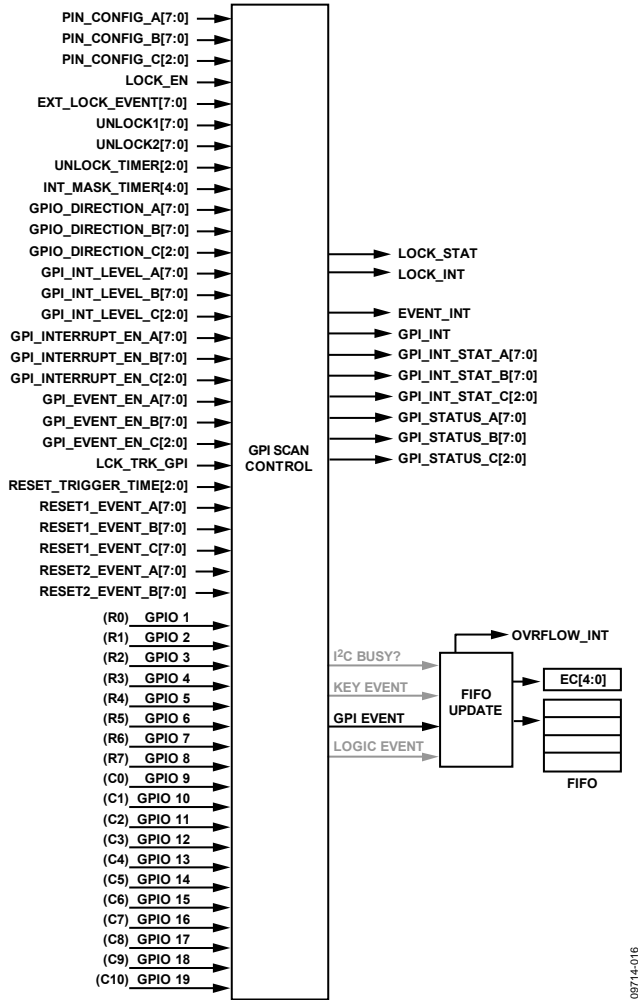


Figure 17. GPI Scan and Detect Block

The current input state of each GPI can be read back using the GPI\_STATUS\_x registers. Each GPI can be programmed to generate an interrupt via the GPI\_INTERRUPT\_EN\_x registers. The interrupt status is stored in the GPI\_INT\_STAT\_x registers. GPI interrupts can be programmed to trigger on inputs being high or on inputs being low via the GPI\_INT\_LEVEL\_x registers. If any of the GPI interrupts is triggered, the master GPI\_INT interrupt is also triggered.

Figure 18 demonstrates a single GPI and how it affects its corresponding status and interrupt status bits.

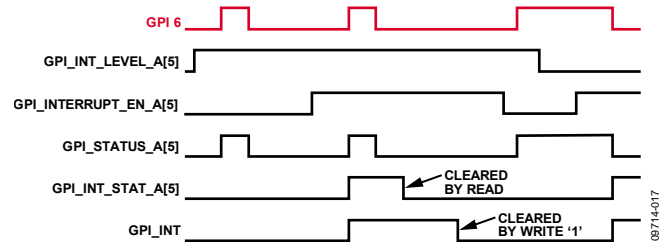


Figure 18. Single GPI Example

GPIs can be programmed to generate FIFO events via the GPI\_EVENT\_EN\_x registers. GPIs in this mode do not generate GPI\_INT interrupts and instead generate EVENT\_INT interrupts. Figure 19 shows several GPI lines and their effects on the FIFO and event count, EC[4:0].

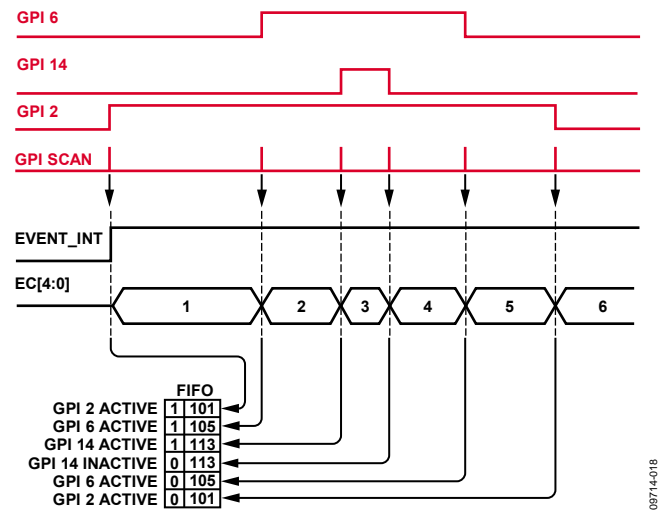


Figure 19. Multiple GPI Lines Example

The GPI scanner is idle until it detects a level transition. It scans the GPI inputs and updates accordingly. It then returns to idle immediately; it does not scan/wait, like the key scanner. As such, the GPI scanner can detect narrow pulses once they get past the 50 μs input debounce filter.

GPIs (programmed for FIFO updating) can be used as keypad unlock events via the UNLOCKx registers (see the FIFO Lock/Unlock section). The LCK\_TRK\_GPI bit can be used to allow GPIs (programmed for FIFO updating) to be tracked when the keypad is locked.

**GPO OUTPUT**

Each of the 19 I/O lines can be configured as a general-purpose output (GPO) line. Figure 6 shows a detailed diagram of the I/O structure. See the Detailed Register Descriptions section for GPO configuration and usage.

**LOGIC BLOCKS**

Several of the ADP5589 I/O lines can be used as inputs and outputs for implementing some common logic functions.

The R1, R2, and R3 I/O pins can be used as inputs, and the R0 I/O pin can be used as an output for Logic Block 1.

The C8, C7, and C6 I/O pins can be used as inputs, and the C9 I/O pin can be used as an output, for Logic Block 2. It is also possible to cascade the output of Logic Block 1 as an alternate input for Logic Block 2 (LY1 is used instead of LA2).

The outputs from the logic blocks can be configured to generate interrupts. They can also be configured to generate events on the FIFO. The LCK\_TRK\_LOGIC (0x4D[4]) bit can be used to allow logic events (programmed for FIFO updating) to be tracked when the keypad is locked.

Figure 21 and Figure 22 show detailed diagrams of the internal make-up of each logic block, illustrating the possible logic functions that can be implemented.

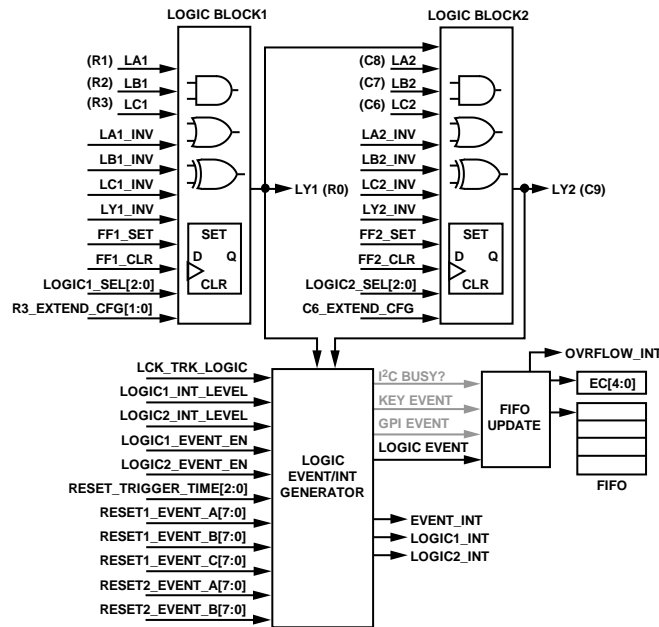


Figure 20. Logic Blocks Overview

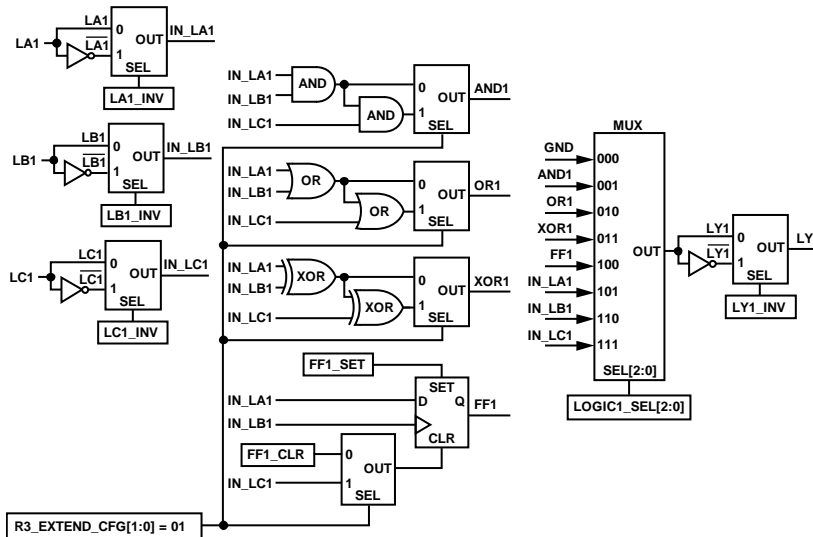


Figure 21. Logic Block 1



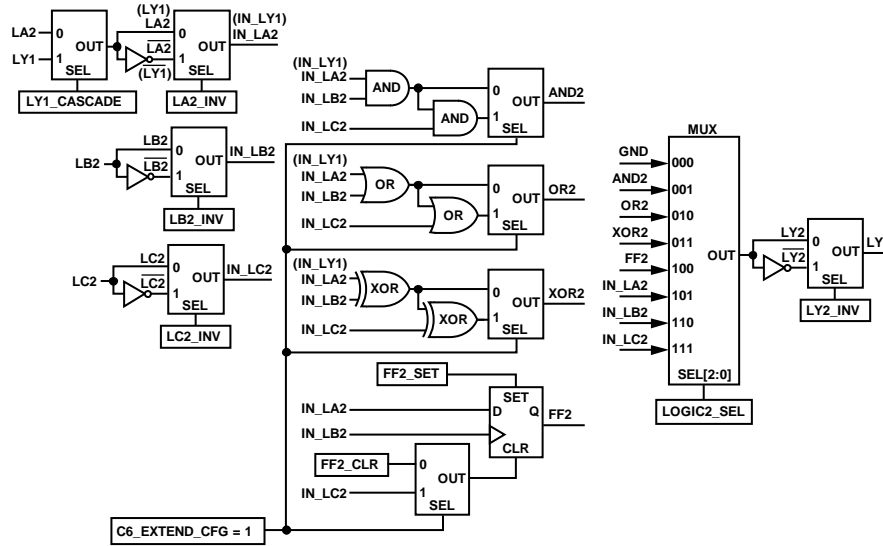


Figure 22. Logic Block 2

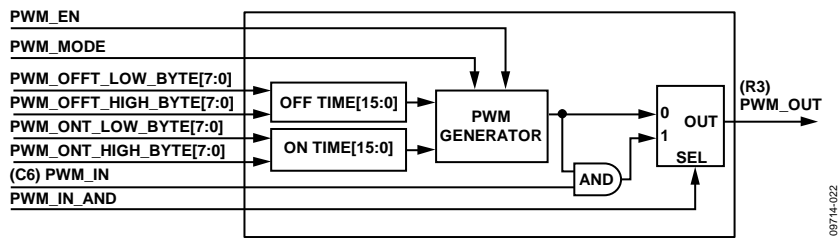


Figure 23. PWM Block Diagram

**PWM BLOCK**

The ADP5589 features a PWM generator whose output can be configured to drive out on I/O Pin R3. PWM on/off times are programmed via four 8-bit registers.

Newly programmed values are not latched until the final byte, PWM\_ONT\_HIGH\_BYTE (Address 0x41, Bits[7:0]), is written to (see Figure 23).

The highest frequency obtainable from the PWM is performed by setting the least significant bit (LSB) of both the on and off bit patterns, resulting in a 500 kHz signal with a 50% duty cycle. Each LSB represents 1 μs of on or off time.

The PWM block provides support for continuous PWM mode as well as a one-shot mode (see Table 74). Additionally, an external signal can be AND'd with the internal PWM signal. This option can be selected by writing a 1 to PWM\_IN\_AND, PWM\_CFG[2]. The input to the external AND is the C6 I/O pin. C6 should be set to GPI (GPIO15). Note that the debounce for C6 will result in a delay of the AND'ing, and can be controlled using register GPI\_15\_DEB\_DIS (Address 0x28, Bit[6]).

Newly programmed values are not latched until the final byte, PWM\_ONT\_HIGH\_BYTE (Address 0x41, Bits[7:0]), is written.

**CLOCK DIVIDER BLOCK**

The ADP5589 features a clock divider block that divides down the frequency of an externally supplied source via I/O Pin C6. The output of the divider is driven out on I/O Pin R3.

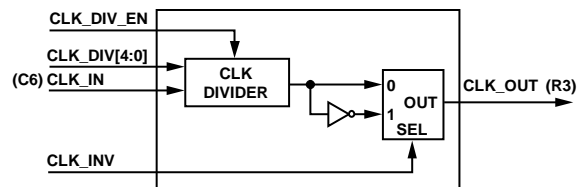


Figure 24. Clock Divider Block

**RESET BLOCKS**

The ADP5589 features two reset blocks that can generate reset conditions if certain events are detected at the same time. Up to three reset trigger events can be programmed for RESET1. Up to two reset trigger events can be programmed for RESET2. The event scan control blocks monitor whether these events are present for the duration of RESET\_TRIGGER\_TIME[2:0] (0x3D[4:2]). If they are, reset-initiate signals are sent to the reset generator blocks. The generated reset signal pulse width is programmable.

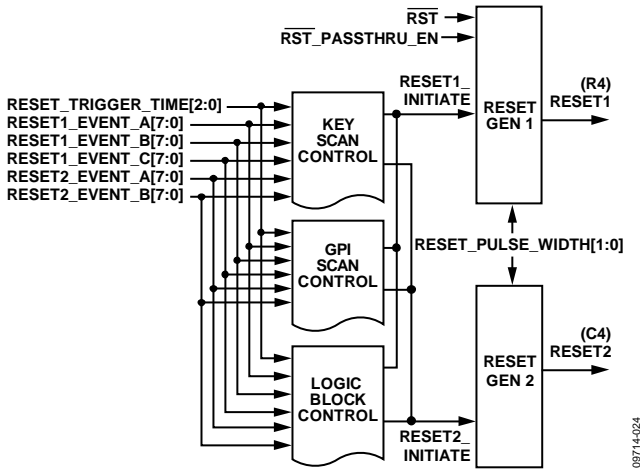


Figure 25. Reset Blocks

The RESET1 signal uses I/O Pin R4 as its output. A pass-through mode allows the main  $\overline{RST}$  pin to be output on the R4 pin also.

The RESET2 signal uses I/O Pin C4 as its output.

The reset generation signals are useful in situations where the system processor has locked up and the system is unresponsive to input events. The user can press one of the reset event combinations and initiate a system-wide reset. This alleviates the need for removing the battery from the system and performing a hard reset.

It is not recommended to use the immediate trigger time (see the details of the RESET\_CFG Register, 0x3D, in Table 69) because this setting may cause false triggering.

## INTERRUPTS

The  $\overline{INT}$  pin can be asserted low if any of the internal interrupt sources is active. The user can select which internal interrupts interact with the external interrupt pin in register INT\_EN (Address 0x4E, Bits[7:0]) (refer to Table 86). allows the user to choose whether the external interrupt pin remains asserted, or deasserts for 50  $\mu$ s, then reasserts, in the case that there are multiple internal interrupts asserted, and one is cleared (refer to Table 85).

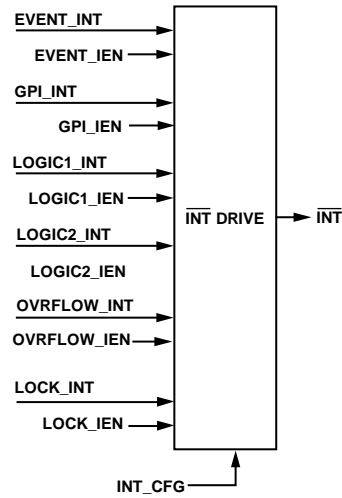


Figure 26. Asserting  $\overline{INT}$  Low

## REGISTER INTERFACE

Register access of the ADP5589 is acquired via its I<sup>2</sup>C-compatible serial interface. The interface can support clock frequencies of up to 1 MHz. If the user is accessing the FIFO or key event counter (KEC), FIFO/KEC updates are paused. If the clock frequency is very low, events may not be recorded in a timely manner. FIFO or KEC updates can happen up to 23 μs after an interrupt is asserted because of the number of I<sup>2</sup>C cycles required to perform an I<sup>2</sup>C read or write. This delay should not present an issue to the user.

Figure 27 shows a typical write sequence for programming an internal register. The cycle begins with a start condition, followed by the hard coded 7-bit device address, which for the ADP5589 is 0x34, followed by the R/W bit set to 0 for a write cycle. The ADP5589 acknowledges the address byte by pulling the data line low. The address of the register to which data is to be written is sent next. The ADP5589 acknowledges the register pointer byte by pulling the data line low. The data byte to be written is sent next. The ADP5589 acknowledges the data byte by pulling the data line low. A stop condition completes the sequence.

Figure 28 shows a typical multibyte write sequence for programming internal registers. The cycle begins with a start condition followed by the 7-bit device address (0x34), followed by the

R/W bit set to 0 for a write cycle. The ADP5589 acknowledges the address byte by pulling the data line low. The address of the register to which data is to be written is sent next. The ADP5589 acknowledges the register pointer byte by pulling the data line low. The data byte to be written is sent next. The ADP5589 acknowledges the data byte by pulling the data line low. The pointer address is then incremented to write the next data byte, until it finishes writing the n data byte. The ADP5589 pulls the data line low after every byte, and a stop condition completes the sequence.

Figure 29 shows a typical byte read sequence for reading internal registers. The cycle begins with a start condition followed by the 7-bit device address (0x34), followed by the R/W bit set to 0 for a write cycle. The ADP5589 acknowledges the address byte by pulling the data line low. The address of the register from which data is to be read is sent next. The ADP5589 acknowledges the register pointer byte by pulling the data line low. A start condition is repeated, followed by the 7-bit device address (0x34), followed by the R/W bit set to 1 for a read cycle. The ADP5589 acknowledges the address byte by pulling the data line low. The 8-bit data is then read. The host pulls the data line high (no acknowledge), and a stop condition completes the sequence.



Figure 27. I<sup>2</sup>C Single-Byte Write Sequence

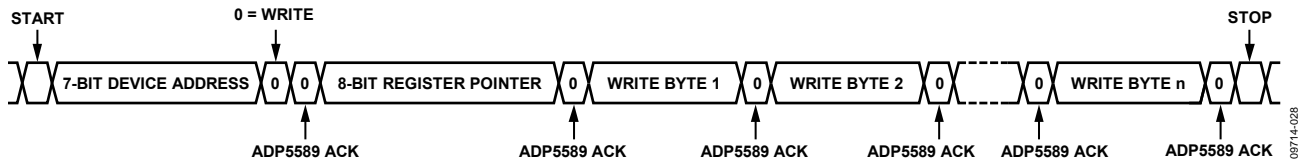


Figure 28. I<sup>2</sup>C Multibyte Write Sequence

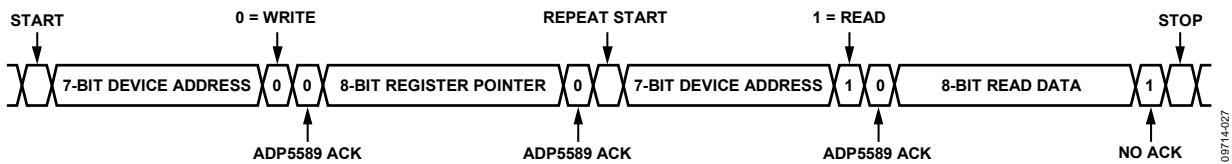


Figure 29. I<sup>2</sup>C Single-Byte Read Sequence

Figure 30 shows a typical multibyte read sequence for reading internal registers. The cycle begins with a start condition, followed by the 7-bit device address (0x34), followed by the R/W bit set to 0 for a write cycle. The ADP5589 acknowledges the address byte by pulling the data line low. The address of the register from which data is to be read is sent next. The ADP5589 acknowledges the register pointer byte by pulling the data line low. A start condition is repeated, followed by the 7-bit device address (0x34),

followed by the R/W bit set to 1 for a read cycle. The ADP5589 acknowledges the address byte by pulling the data line low. The 8-bit data is then read. The address pointer is then incremented to read the next data byte, and the host continues to pull the data line low for each byte (master acknowledge) until the n data byte is read. The host pulls the data line high (no acknowledge) after the last byte is read, and a stop condition completes the sequence.

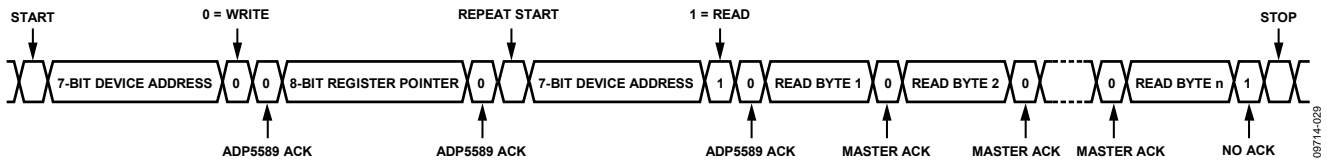


Figure 30. I<sup>2</sup>C Multibyte Read Sequence

## REGISTER MAP

Table 6.

Addr.	R/W	Bit 7	Bit 6	Bit 5	Bit 4	Bit 3	Bit 2	Bit 1	Bit 0	
0x00	R	MAN_ID				REV_ID				
0x01	R/W	Reserved		LOGIC2_INT	LOGIC1_INT	LOCK_INT	OVRFLOW_INT	GPI_INT	EVENT_INT	
0x02	R	LOGIC2_STAT	LOGIC1_STAT	LOCK_STAT	EC[4:0]					
0x03	R	Event1_State	EVENT1_IDENTIFIER[6:0]							
0x04	R	Event2_State	EVENT2_IDENTIFIER[6:0]							
0x05	R	Event3_State	EVENT3_IDENTIFIER[6:0]							
0x06	R	Event4_State	EVENT4_IDENTIFIER[6:0]							
0x07	R	Event5_State	EVENT5_IDENTIFIER[6:0]							
0x08	R	Event6_State	EVENT6_IDENTIFIER[6:0]							
0x09	R	Event7_State	EVENT7_IDENTIFIER[6:0]							
0x0A	R	Event8_State	EVENT8_IDENTIFIER[6:0]							
0x0B	R	Event9_State	EVENT9_IDENTIFIER[6:0]							
0x0C	R	Event10_State	EVENT10_IDENTIFIER[6:0]							
0x0D	R	Event11_State	EVENT11_IDENTIFIER[6:0]							
0x0E	R	Event12_State	EVENT12_IDENTIFIER[6:0]							
0x0F	R	Event13_State	EVENT13_IDENTIFIER[6:0]							
0x10	R	Event14_State	EVENT14_IDENTIFIER[6:0]							
0x11	R	Event15_State	EVENT15_IDENTIFIER[6:0]							
0x12	R	Event16_State	EVENT16_IDENTIFIER[6:0]							
0x13	R	GPI_INT_STAT_A[7:0]								
0x14	R	GPI_INT_STAT_B[7:0]								
0x15	R	Reserved					GPI_INT_STAT_C[2:0]			
0x16	R	GPI_STATUS_A[7:0]								
0x17	R	GPI_STATUS_B[7:0]								
0x18	R	Reserved					GPI_STATUS_C[2:0]			
0x19	R/W	RPULL_CONFIG_A[7:0]								
0x1A	R/W	RPULL_CONFIG_B[7:0]								
0x1B	R/W	RPULL_CONFIG_C[7:0]								
0x1C	R/W	RPULL_CONFIG_D[7:0]								
0x1D	R/W	Reserved	RPULL_CONFIG_E[5:0]							
0x1E	R/W	GPI_INT_LEVEL_A[7:0]								
0x1F	R/W	GPI_INT_LEVEL_B[7:0]								
0x20	R/W	Reserved					GPI_INT_LEVEL_C[2:0]			
0x21	R/W	GPI_EVENT_EN_A[7:0]								
0x22	R/W	GPI_EVENT_EN_B[7:0]								
0x23	R/W	Reserved					GPI_EVENT_EN_C[2:0]			
0x24	R/W	GPI_INTERRUPT_EN_A[7:0]								
0x25	R/W	GPI_INTERRUPT_EN_B[7:0]								
0x26	R/W	Reserved					GPI_INTERRUPT_EN_C[2:0]			
0x27	R/W	DEBOUNCE_DIS_A[7:0]								
0x28	R/W	DEBOUNCE_DIS_B[7:0]								
0x29	R/W	Reserved					DEBOUNCE_DIS_C[2:0]			
0x2A	R/W	GPO_DATA_OUT_A[7:0]								
0x2B	R/W	GPO_DATA_OUT_B[7:0]								
0x2C	R/W	Reserved					GPO_DATA_OUT_C[2:0]			
0x2D	R/W	GPO_OUT_MODE_A[7:0]								
0x2E	R/W	GPO_OUT_MODE_B[7:0]								
0x2F	R/W	Reserved					GPO_OUT_MODE_C[2:0]			
0x30	R/W	GPIO_DIRECTION_A[7:0]								
0x31	R/W	GPIO_DIRECTION_B[7:0]								
0x32	R/W	Reserved					GPIO_DIRECTION_C[2:0]			

Addr.	R/W	Bit 7	Bit 6	Bit 5	Bit 4	Bit 3	Bit 2	Bit 1	Bit 0	
0x33	R/W	UNLOCK1_STATE	UNLOCK1[6:0]							
0x34	R/W	UNLOCK2_STATE	UNLOCK2[6:0]							
0x35	R/W	EXT_LOCK_STATE	EXT_LOCK_EVENT[6:0]							
0x36	R/W	INT_MASK_TIMER[4:0]					UNLOCK_TIMER[2:0]			
0x37	R/W	Reserved							LOCK_EN	
0x38	R/W	RESET1_EVENT_A Level	RESET1_EVENT_A[6:0]							
0x39	R/W	RESET2_EVENT_B Level	RESET1_EVENT_B[6:0]							
0x3A	R/W	RESET1_EVENT_B Level	RESET1_EVENT_C[6:0]							
0x3B	R/W	RESET1_EVENT_B Level	RESET2_EVENT_A[6:0]							
0x3C	R/W	RESET1_EVENT_B Level	RESET2_EVENT_B[6:0]							
0x3D	R/W	RESET2_POL	RESET1_POL	RST_PASSTHRU_EN	RESET_TRIGGER_TIME[2:0]			RESET_PULSE_WIDTH[1:0]		
0x3E	R/W	PWM_OFFT_LOW_BYTE[7:0]								
0x3F	R/W	PWM_OFFT_HIGH_BYTE[7:0]								
0x40	R/W	PWM_ONT_LOW_BYTE[7:0]								
0x41	R/W	PWM_ONT_HIGH_BYTE[7:0]								
0x42	R/W	Reserved					PWM_IN_AND	PWM_MODE	PWM_EN	
0x43	R/W	Reserved	CLK_INV	CLK_DIV[4:0]					CLK_DIV_EN	
0x44	R/W	Reserved	LY1_INV	LC1_INV	LB1_INV	LA1_INV	LOGIC1_SEL[2:0]			
0x45	R/W	LY1_CASCADE	LY2_INV	LC2_INV	LB2_INV	LA2_INV	LOGIC2_SEL[2:0]			
0x46	R/W	Reserved				FF2_SET	FF2_CLR	FF1_SET	FF1_CLR	
0x47	R/W	Reserved		LY2_DBNC_DIS	LOGIC2_EVENT_EN	LOGIC2_INT_LEVEL	LY1_DBNC_DIS	LOGIC1_EVENT_EN	LOGIC1_INT_LEVEL	
0x48	R/W	Reserved							KEY_POLL_TIME[1:0]	
0x49	R/W	PIN_CONFIG_A[7:0]								
0x4A	R/W	PIN_CONFIG_B[7:0]								
0x4B	R/W	Reserved					PIN_CONFIG_C[2:0]			
0x4C	R/W	PULL_SELECT	C4_EXTEND_CFG	R4_EXTEND_CFG	C6_EXTEND_CFG	R3_EXTEND_CFG[1:0]		C9_EXTEND_CFG	R0_EXTEND_CFG	
0x4D	R/W	OSC_EN	CORE_FREQ[1:0]		LCK_TRK_LOGIC	LCK_TRK_GPI	INT_CFG		RST_CFG	
0x4E	R/W	Reserved		LOGIC2_IEN	LOGIC1_IEN	LOCK_IEN	OVRFLOW_IEN	GPI_IEN	EVENT_IEN	

**DETAILED REGISTER DESCRIPTIONS**

Note: N/A throughout this section means not applicable.

Note: All registers default to 0000 0000 unless otherwise specified.

**ID Register 0x00**

Table 7. ID Bit Descriptions

Bits	Name	R/W	Description
[7: 4]	MAN_ID	R	Manufacturer ID, default = 0001.
[3:0]	REV_ID	R	Rev ID.

Default = 0001 XXXX

**INT\_STATUS Register 0x01**

Table 8. INT\_STATUS Bit Descriptions

Bits	Name	R/W	Description
[7: 6]	N/A		Reserved.
5	LOGIC2_INT	R/W	0 = no interrupt. 1 = interrupt due to a general Logic 2 condition. Write a 1 to this bit to clear it.
4	LOGIC1_INT	R/W	0 = no interrupt. 1 = interrupt due to a general Logic 1 condition. Write a 1 to this bit to clear it.
3	LOCK_INT	R/W	0 = no interrupt. 1 = interrupt due to a lock/unlock condition. The user can read LOCK_STAT (0x02[5]) to determine if LOCK_INT is due to a lock or unlock event. If LOCK_STAT = 1, LOCK_INT is due to a lock event. If LOCK_STAT = 0, LOCK_INT is due to an unlock event. Write a 1 to this bit to clear it. If lock mode is enabled via the software bit LOCK_EN (0x37[0]), a LOCK_INT is not generated because the processor knows it just enabled lock mode. If lock mode is disabled (while locked) via the software bit LOCK_EN, a LOCK_INT is not generated because the processor knows it just disabled lock mode.
2	OVRFLOW_INT	R/W	0 = no interrupt. 1 = interrupt due to an overflow condition. Write a 1 to this bit to clear it.
1	GPI_INT	R/W	0 = no interrupt. 1 = interrupt due to a general GPI condition. This bit is not set by a GPI that has been configured to update the FIFO and event count. Write a 1 to this bit to clear it. This bit cannot be cleared until all GPI_x_INT bits are cleared.
0	EVENT_INT	R/W	0 = no interrupt. 1 = interrupt due to key event (press/release), GPI event (GPI programmed for FIFO updates), or Logic 1/Logic 2 event (programmed for FIFO updates). Write a 1 to this bit to clear it.

**Status Register 0x02**

Table 9. Status Bit Descriptions

Bits	Name	R/W	Description
7	LOGIC2_STAT	R	0 = output from Logic Block 2. (LY2) is low. 1 = output from Logic Block 2. (LY2) is high.
6	LOGIC1_STAT	R	0 = output from Logic Block 1 (LY1) is low. 1 = output from Logic Block 1 (LY1) is high.
5	LOCK_STAT	R	0 = unlocked. 1 = locked.
[4:0]	EC[4:0]	R	Event count value. Indicates how many events are currently stored on the FIFO.

**FIFO\_1 Register 0x03****Table 10. FIFO\_1 Bit Descriptions**

Bits	Name	R/W	Description
7	Event1_State	R	The seven lower bits of each FIFO location contain the event identifier, which can be decoded to reveal the event recorded. Table 11 outlines each event number, what it represents, and the I/O pins associated with it. Bit 7 is the Event 1 state.
[6:0]	EVENT1_IDENTIFIER[6:0]		This bit represents the state of the event that is recorded in EVENT1_IDENTIFIER[6:0]. For key events (Event 1 to Event 96). 1 = key is pressed. 0 = key is released. For GPI and logic events (Event 97 to Event 117). 1 = GPI/logic is active. 0 = GPI/logic is inactive. Active and inactive states are programmable.

**Table 11. Event Decoding**

Event No.	Meaning	Event No.	Meaning	Event No.	Meaning	Event No.	Meaning
0	No event	32	Key 32 (R2, C9)	64	Key 64 (R5, C8)	96	Key 96 (R7, GND)
1	Key 1 (R0, C0)	33	Key 33 (R2, C10)	65	Key 65 (R5, C9)	97	GPI 1 (R0)
2	Key 2 (R0, C1)	34	Key 34 (R3, C0)	66	Key 66 (R5, C10)	98	GPI 2 (R1)
3	Key 3 (R0, C2)	35	Key 35 (R3, C1)	67	Key 67 (R6, C0)	99	GPI 3 (R2)
4	Key 4 (R0, C3)	36	Key 36 (R3, C2)	68	Key 68 (R6, C1)	100	GPI 4 (R3)
5	Key 5 (R0, C4)	37	Key 37 (R3, C3)	69	Key 69 (R6, C2)	101	GPI 5 (R4)
6	Key 6 (R0, C5)	38	Key 38 (R3, C4)	70	Key 70 (R6, C3)	102	GPI 6 (R5)
7	Key 7 (R0, C6)	39	Key 39 (R3, C5)	71	Key 71 (R6, C4)	103	GPI 7 (R6)
8	Key 8 (R0, C7)	40	Key 40 (R3, C6)	72	Key 72 (R6, C5)	104	GPI 8 (R7)
9	Key 9 (R0, C8)	41	Key 41 (R3, C7)	73	Key 73 (R6, C6)	105	GPI 9 (C0)
10	Key 10 (R0, C9)	42	Key 42 (R3, C8)	74	Key 74 (R6, C7)	106	GPI 10 (C1)
11	Key 11 (R0, C10)	43	Key 43 (R3, C9)	75	Key 75 (R6, C8)	107	GPI 11 (C2)
12	Key 12 (R1, C0)	44	Key 44 (R3, C10)	76	Key 76 (R6, C9)	108	GPI 12 (C3)
13	Key 13 (R1, C1)	45	Key 45 (R4, C0)	77	Key 77 (R6, C10)	109	GPI 13 (C4)
14	Key 14 (R1, C2)	46	Key 46 (R4, C1)	78	Key 78 (R7, C0)	110	GPI 14 (C5)
15	Key 15 (R1, C3)	47	Key 47 (R4, C2)	79	Key 79 (R7, C1)	111	GPI 15 (C6)
16	Key 16 (R1, C4)	48	Key 48 (R4, C3)	80	Key 80 (R7, C2)	112	GPI 16 (C7)
17	Key 17 (R1, C5)	49	Key 49 (R4, C4)	81	Key 81 (R7, C3)	113	GPI 17 (C8)
18	Key 18 (R1, C6)	50	Key 50 (R4, C5)	82	Key 82 (R7, C4)	114	GPI 18 (C9)
19	Key 19 (R1, C7)	51	Key 51 (R4, C6)	83	Key 83 (R7, C5)	115	GPI 19 (C10)
20	Key 20 (R1, C8)	52	Key 52 (R4, C7)	84	Key 84 (R7, C6)	116	Logic 1
21	Key 21 (R1, C9)	53	Key 53 (R4, C8)	85	Key 85 (R7, C7)	117	Logic 2
22	Key 22 (R1, C10)	54	Key 54 (R4, C9)	86	Key 86 (R7, C8)	118	Unused
23	Key 23 (R2, C0)	55	Key 55 (R4, C10)	87	Key 87 (R7, C9)	119	Unused
24	Key 24 (R2, C1)	56	Key 56 (R5, C0)	88	Key 88 (R7, C10)	120	Unused
25	Key 25 (R2, C2)	57	Key 57 (R5, C1)	89	Key 89 (R0, GND)	121	Unused
26	Key 26 (R2, C3)	58	Key 58 (R5, C2)	90	Key 90 (R1, GND)	122	Unused
27	Key 27 (R2, C4)	59	Key 59 (R5, C3)	91	Key 91 (R2, GND)	123	Unused
28	Key 28 (R2, C5)	60	Key 60 (R5, C4)	92	Key 92 (R3, GND)	124	Unused
29	Key 29 (R2, C6)	61	Key 61 (R5, C5)	93	Key 93 (R4, GND)	125	Unused
30	Key 30 (R2, C7)	62	Key 62 (R5, C6)	94	Key 94 (R5, GND)	126	Unused
31	Key 31 (R2, C8)	63	Key 63 (R5, C7)	95	Key 95 (R6, GND)	127	Wildcard for unlock



**FIFO\_2 Register 0x04**

Table 12. FIFO\_2 Bit Descriptions

Bits	Name	R/W	Description
7	Event2_State	R	Refer to Table 10.
[6:0]	EVENT2_IDENTIFIER[6:0]	R	Refer to Table 10.

**FIFO\_3 Register 0x05**

Table 13. FIFO\_3 Bit Descriptions

Bits	Name	R/W	Description
7	Event3_State	R	Refer to Table 10.
[6:0]	EVENT3_IDENTIFIER[6:0]	R	Refer to Table 10.

**FIFO\_4 Register 0x06**

Table 14. FIFO\_4 Bit Descriptions

Bits	Name	R/W	Description
7	Event4_State	R	Refer to Table 10.
[6:0]	EVENT4_IDENTIFIER[6:0]	R	Refer to Table 10.

**FIFO\_5 Register 0x07**

Table 15. FIFO\_5 Bit Descriptions

Bits	Name	R/W	Description
7	Event5_State	R	Refer to Table 10.
[6:0]	EVENT5_IDENTIFIER[6:0]	R	Refer to Table 10.

**FIFO\_6 Register 0x08**

Table 16. FIFO\_6 Bit Descriptions

Bits	Name	R/W	Description
7	Event6_State	R	Refer to Table 10.
[6:0]	EVENT6_IDENTIFIER[6:0]	R	Refer to Table 10.

**FIFO\_7 Register 0x09**

Table 17. FIFO\_7 Bit Descriptions

Bits	Name	R/W	Description
7	Event7_State	R	Refer to Table 10.
[6:0]	EVENT7_IDENTIFIER[6:0]	R	Refer to Table 10.

**FIFO\_8 Register 0x0A**

Table 18. FIFO\_8 Bit Descriptions

Bits	Name	R/W	Description
7	Event8_State	R	Refer to Table 10.
[6:0]	EVENT8_IDENTIFIER[6:0]	R	Refer to Table 10.

**FIFO\_9 Register 0x0B**

Table 19. FIFO\_9 Bit Descriptions

Bits	Name	R/W	Description
7	Event9_State	R	Refer to Table 10.
[6:0]	EVENT9_IDENTIFIER[6:0]	R	Refer to Table 10.

**FIFO\_10 Register 0x0C**

Table 20. FIFO\_10 Bit Descriptions

Bits	Name	R/W	Description
7	Event10_State	R	Refer to Table 10.
[6:0]	EVENT10_IDENTIFIER[6:0]	R	Refer to Table 10.

**FIFO\_11 Register 0x0D**

Table 21. FIFO\_11 Bit Descriptions

Bits	Name	R/W	Description
7	Event11_State	R	Refer to Table 10.
[6:0]	EVENT11_IDENTIFIER[6:0]	R	Refer to Table 10.

**FIFO\_12 Register 0x0E**

Table 22. FIFO\_12 Bit Descriptions

Bits	Name	R/W	Description
7	Event12_State	R	Refer to Table 10.
[6:0]	EVENT12_IDENTIFIER[6:0]	R	Refer to Table 10.

**FIFO\_13 Register 0x0F**

Table 23. FIFO\_13 Bit Descriptions

Bits	Name	R/W	Description
7	Event13_State	R	Refer to Table 10.
[6:0]	EVENT13_IDENTIFIER[6:0]	R	Refer to Table 10.

**FIFO\_14 Register 0x10**

Table 24. FIFO\_14 Bit Descriptions

Bits	Name	R/W	Description
7	Event14_State	R	Refer to Table 10.
[6:0]	EVENT14_IDENTIFIER[6:0]	R	Refer to Table 10.

**FIFO\_15 Register 0x11**

Table 25. FIFO\_15 Bit Descriptions

Bits	Name	R/W	Description
7	Event15_State	R	Refer to Table 10.
[6:0]	EVENT15_IDENTIFIER[6:0]	R	Refer to Table 10.

**FIFO\_16 Register 0x12**

Table 26. FIFO\_16 Bit Descriptions

Bits	Name	R/W	Description
7	Event16_State	R	Refer to Table 10.
[6:0]	EVENT16_IDENTIFIER[6:0]	R	Refer to Table 10.

**GPI\_INT\_STAT\_A Register 0x13**

Table 27. GPI\_INT\_STAT\_A Bit Descriptions

Bits	Name	R/W	Description
7	GPI_8_INT	R	0 = no interrupt. 1 = interrupt due to GPI_8 (R7 pin). Cleared on read.
6	GPI_7_INT	R	0 = no interrupt. 1 = interrupt due to GPI_7 (R6 pin). Cleared on read.
5	GPI_6_INT	R	0 = no interrupt. 1 = interrupt due to GPI_6 (R5 pin). Cleared on read.
4	GPI_5_INT	R	0 = no interrupt. 1 = interrupt due to GPI_5 (R4 pin). Cleared on read.
3	GPI_4_INT	R	0 = no interrupt. 1 = interrupt due to GPI_4 (R3 pin). Cleared on read.
2	GPI_3_INT	R	0 = no interrupt. 1 = interrupt due to GPI_3 (R2 pin). Cleared on read.
1	GPI_2_INT	R	0 = no interrupt. 1 = interrupt due to GPI_2 (R1 pin). Cleared on read.
0	GPI_1_INT	R	0 = no interrupt. 1 = interrupt due to GPI_1 (R0 pin). Cleared on read.

**GPI\_INT\_STAT\_B Register 0x14**

Table 28. GPI\_INT\_STAT\_B Bit Descriptions

Bits	Name	R/W	Description
7	GPI_16_INT	R	0 = no interrupt. 1 = interrupt due to GPI_16 (C7 pin). Cleared on read.
6	GPI_15_INT	R	0 = no interrupt. 1 = interrupt due to GPI_15 (C6 pin). Cleared on read.
5	GPI_14_INT	R	0 = no interrupt. 1 = interrupt due to GPI_14 (C5 pin). Cleared on read.
4	GPI_13_INT	R	0 = no interrupt. 1 = interrupt due to GPI_13 (C4 pin). Cleared on read.
3	GPI_12_INT	R	0 = no interrupt. 1 = interrupt due to GPI_12 (C3 pin). Cleared on read.
2	GPI_11_INT	R	0 = no interrupt. 1 = interrupt due to GPI_11 (C2 pin). Cleared on read.
1	GPI_10_INT	R	0 = no interrupt. 1 = interrupt due to GPI_10 (C1 pin). Cleared on read.
0	GPI_9_INT	R	0 = no interrupt. 1 = interrupt due to GPI_9 (C0 pin). Cleared on read.

**GPI\_INT\_STAT\_C Register 0x15**

Table 29. GPI\_INT\_STAT\_C Bit Descriptions

Bits	Name	R/W	Description
[7: 3]			Reserved.
2	GPI_19_INT	R	0 = no interrupt. 1 = interrupt due to GPI_19 (C10 pin). Cleared on read.
1	GPI_18_INT	R	0 = no interrupt. 1 = interrupt due to GPI_18 (C9 pin). Cleared on read.
0	GPI_17_INT	R	0 = no interrupt. 1 = interrupt due to GPI_17 (C8 pin). Cleared on read.

**GPI\_STATUS\_A Register 0x16**

Table 30. GPI\_STATUS\_A Bit Descriptions

Bits	Name	R/W	Description
7	GPI_8_STAT	R	0 = GPI_8 (R7 pin) is low. 1 = GPI_8 (R7 pin) is high.
6	GPI_7_STAT	R	0 = GPI_7 (R6 pin) is low. 1 = GPI_7 (R6 pin) is high.
5	GPI_6_STAT	R	0 = GPI_6 (R5 pin) is low. 1 = GPI_6 (R5 pin) is high.
4	GPI_5_STAT	R	0 = GPI_5 (R4 pin) is low. 1 = GPI_5 (R4 pin) is high.
3	GPI_4_STAT	R	0 = GPI_4 (R3 pin) is low. 1 = GPI_4 (R3 pin) is high.
2	GPI_3_STAT	R	0 = GPI_3 (R2 pin) is low. 1 = GPI_3 (R2 pin) is high.
1	GPI_2_STAT	R	0 = GPI_2 (R1 pin) is low. 1 = GPI_2 (R1 pin) is high.
0	GPI_1_STAT	R	0 = GPI_1 (R0 pin) is low. 1 = GPI_1 (R0 pin) is high.

**GPI\_STATUS\_B Register 0x17**

Table 31. GPI\_STATUS\_B Bit Descriptions

Bits	Name	R/W	Description
7	GPI_16_STAT	R	0 = GPI_16 (C7 pin) is low. 1 = GPI_16 (C7 pin) is high.
6	GPI_15_STAT	R	0 = GPI_15 (C6 pin) is low. 1 = GPI_15 (C6 pin) is high.
5	GPI_14_STAT	R	0 = GPI_14 (C5 pin) is low. 1 = GPI_14 (C5 pin) is high.
4	GPI_13_STAT	R	0 = GPI_13 (C4 pin) is low. 1 = GPI_13 (C4 pin) is high.
3	GPI_12_STAT	R	0 = GPI_12 (C3 pin) is low. 1 = GPI_12 (C3 pin) is high.
2	GPI_11_STAT	R	0 = GPI_11 (C2 pin) is low. 1 = GPI_11 (C2 pin) is high.
1	GPI_10_STAT	R	0 = GPI_10 (C1 pin) is low. 1 = GPI_10 (C1 pin) is high.
0	GPI_9_STAT	R	0 = GPI_9 (C0 pin) is low. 1 = GPI_9 (C0 pin) is high.

**GPI\_STATUS\_C Register 0x18**

Table 32. GPI\_STATUS\_C Bit Descriptions

Bits	Name	R/W	Description
[7: 3]			Reserved.
2	GPI_19_STAT	R	0 = GPI_19 (C10 pin) is low. 1 = GPI_19 (C10 pin) is high.
1	GPI_18_STAT	R	0 = GPI_18 (C9 pin) is low. 1 = GPI_18 (C9 pin) is high.
0	GPI_17_STAT	R	0 = GPI_17 (C8 pin) is low. 1 = GPI_17 (C8 pin) is high.

**RPULL\_CONFIG\_A Register 0x19****Table 33. RPULL\_CONFIG\_A Bit Descriptions**

Bits	Name	R/W	Description
[7:6]	R3_PULL_CFG	R/W	00 = enable 300 kΩ pull-up. 01 = enable 300 kΩ pull-down. 10 = enable 100 kΩ pull-up. 11 = disable all pull-up/pull-down resistors.
[5:4]	R2_PULL_CFG	R/W	00 = enable 300 kΩ pull-up. 01 = enable 300 kΩ pull-down. 10 = enable 100 kΩ pull-up. 11 = disable all pull-up/pull-down resistors.
[3:2]	R1_PULL_CFG	R/W	00 = enable 300 kΩ pull-up. 01 = enable 300 kΩ pull-down. 10 = enable 100 kΩ pull-up. 11 = disable all pull-up/pull-down resistors.
[1:0]	R0_PULL_CFG	R/W	00 = enable 300 kΩ pull-up. 01 = enable 300 kΩ pull-down. 10 = enable 100 kΩ pull-up. 11 = disable all pull-up/pull-down resistors.

ADP5589AC\_Z-00-R7, ADP5589AC\_Z-01-R7 Default = 0000 0000

ADP5589AC\_Z-02-R7 Default = 0100 0001

**RPULL\_CONFIG\_B Register 0x1A****Table 34. RPULL\_CONFIG\_B Bit Descriptions**

Bits	Name	R/W	Description
[7 :6]	R7_PULL_CFG	R/W	00 = enable 300 kΩ pull-up. 01 = enable 300 kΩ pull-down. 10 = enable 100 kΩ pull-up. 11 = disable all pull-up/pull-down resistors.
[5: 4]	R6_PULL_CFG	R/W	00 = enable 300 kΩ pull-up. 01 = enable 300 kΩ pull-down. 10 = enable 100 kΩ pull-up. 11 = disable all pull-up/pull-down resistors.
[3: 2]	R5_PULL_CFG	R/W	00 = enable 300 kΩ pull-up. 01 = enable 300 kΩ pull-down. 10 = enable 100 kΩ pull-up. 11 = disable all pull-up/pull-down resistors.
[1: 0]	R4_PULL_CFG	R/W	00 = enable 300 kΩ pull-up. 01 = enable 300 kΩ pull-down. 10 = enable 100 kΩ pull-up. 11 = disable all pull-up/pull-down resistors.

ADP5589AC\_Z-00-R7, ADP5589AC\_Z-01-R7 Default = 0000 0000

ADP5589AC\_Z-02-R7 Default = 0000 0001

**RPULL\_CONFIG\_C Register 0x1B****Table 35. RPULL\_CONFIG\_C Bit Descriptions**

Bits	Name	R/W	Description
[7:6]	C3_PULL_CFG	R/W	00 = enable 300 kΩ pull-up. 01 = enable 300 kΩ pull-down. 10 = enable 100 kΩ pull-up. 11 = disable all pull-up/pull-down resistors.
[5:4]	C2_PULL_CFG	R/W	00 = enable 300 kΩ pull-up. 01 = enable 300 kΩ pull-down. 10 = enable 100 kΩ pull-up. 11 = disable all pull-up/pull-down resistors.
[3:2]	C1_PULL_CFG	R/W	00 = enable 300 kΩ pull-up. 01 = enable 300 kΩ pull-down. 10 = enable 100 kΩ pull-up. 11 = disable all pull-up/pull-down resistors.
[1:0]	C0_PULL_CFG	R/W	00 = enable 300 kΩ pull-up. 01 = enable 300 kΩ pull-down. 10 = enable 100 kΩ pull-up. 11 = disable all pull-up/pull-down resistors.

**RPULL\_CONFIG\_D Register 0x1C****Table 36. RPULL\_CONFIG\_D Bit Descriptions**

Bits	Name	R/W	Description
[7:6]	C7_PULL_CFG	R/W	00 = enable 300 kΩ pull-up. 01 = enable 300 kΩ pull-down. 10 = enable 100 kΩ pull-up. 11 = disable all pull-up/pull-down resistors.
[5:4]	C6_PULL_CFG	R/W	00 = enable 300 kΩ pull-up. 01 = enable 300 kΩ pull-down. 10 = enable 100 kΩ pull-up. 11 = disable all pull-up/pull-down resistors.
[3:2]	C5_PULL_CFG	R/W	00 = enable 300 kΩ pull-up. 01 = enable 300 kΩ pull-down. 10 = enable 100 kΩ pull-up. 11 = disable all pull-up/pull-down resistors.
[1:0]	C4_PULL_CFG	R/W	00 = enable 300 kΩ pull-up. 01 = enable 300 kΩ pull-down. 10 = enable 100 kΩ pull-up. 11 = disable all pull-up/pull-down resistors.

ADP5589AC\_Z-00-R7, ADP5589AC\_Z-01-R7 Default = 0000 0000

ADP5589AC\_Z-02-R7 Default = 0001 0001

**RPULL\_CONFIG\_E Register 0x1D****Table 37. RPULL\_CONFIG\_E Bit Descriptions**

Bits	Name	R/W	Description
[7:6]			Reserved.
[5:4]	C10_PULL_CFG	R/W	00 = enable 300 kΩ pull-up. 01 = enable 300 kΩ pull-down. 10 = enable 100 kΩ pull-up. 11 = disable all pull-up/pull-down resistors.
[3:2]	C9_PULL_CFG	R/W	00 = enable 300 kΩ pull-up. 01 = enable 300 kΩ pull-down. 10 = enable 100 kΩ pull-up. 11 = disable all pull-up/pull-down resistors.
[1:0]	C8_PULL_CFG	R/W	00 = enable 300 kΩ pull-up. 01 = enable 300 kΩ pull-down. 10 = enable 100 kΩ pull-up. 11 = disable all pull-up/pull-down resistors.

ADP5589AC\_Z-00-R7, ADP5589AC\_Z-01-R7 Default = 0000 0000

ADP5589AC\_Z-02-R7 Default = 0000 0100

**GPI\_INT\_LEVEL\_A Register 0x1E****Table 38. GPI\_INT\_LEVEL\_A Bit Descriptions**

Bits	Name	R/W	Description
7	GPI_8_INT_LEVEL	R/W	0 = GPI_8 interrupt is active low. 1 = GPI_8 interrupt is active high.
6	GPI_7_INT_LEVEL	R/W	0 = GPI_7 interrupt is active low. 1 = GPI_7 interrupt is active high.
5	GPI_6_INT_LEVEL	R/W	0 = GPI_6 interrupt is active low. 1 = GPI_6 interrupt is active high.
4	GPI_5_INT_LEVEL	R/W	0 = GPI_5 interrupt is active low. 1 = GPI_5 interrupt is active high.
3	GPI_4_INT_LEVEL	R/W	0 = GPI_4 interrupt is active low. 1 = GPI_4 interrupt is active high.
2	GPI_3_INT_LEVEL	R/W	0 = GPI_3 interrupt is active low. 1 = GPI_3 interrupt is active high.
1	GPI_2_INT_LEVEL	R/W	0 = GPI_2 interrupt is active low. 1 = GPI_2 interrupt is active high.
0	GPI_1_INT_LEVEL	R/W	0 = GPI_1 interrupt is active low (GPI_1_INT is set whenever R0 is low). 1 = GPI_1 interrupt is active high (GPI_1_INT is set whenever R0 is high).

**GPI\_INT\_LEVEL\_B Register 0x1F****Table 39. GPI\_INT\_LEVEL\_B Bit Descriptions**

Bits	Name	R/W	Description
7	GPI_16_INT_LEVEL	R/W	0 = GPI_16 interrupt is active low. 1 = GPI_16 interrupt is active high.
6	GPI_15_INT_LEVEL	R/W	0 = GPI_15 interrupt is active low. 1 = GPI_15 interrupt is active high.
5	GPI_14_INT_LEVEL	R/W	0 = GPI_14 interrupt is active low. 1 = GPI_14 interrupt is active high.
4	GPI_13_INT_LEVEL	R/W	0 = GPI_13 interrupt is active low. 1 = GPI_13 interrupt is active high.
3	GPI_12_INT_LEVEL	R/W	0 = GPI_12 interrupt is active low. 1 = GPI_12 interrupt is active high.
2	GPI_11_INT_LEVEL	R/W	0 = GPI_11 interrupt is active low. 1 = GPI_11 interrupt is active high.
1	GPI_10_INT_LEVEL	R/W	0 = GPI_10 interrupt is active low. 1 = GPI_10 interrupt is active high.
0	GPI_9_INT_LEVEL	R/W	0 = GPI_9 interrupt is active low. 1 = GPI_9 interrupt is active high.

**GPI\_INT\_LEVEL\_C Register 0x20****Table 40. GPI\_INT\_LEVEL\_C Bit Descriptions**

Bits	Name	R/W	Description
[7:3]			Reserved.
2	GPI_19_INT_LEVEL	R/W	0 = GPI_19 interrupt is active low. 1 = GPI_19 interrupt is active high.
1	GPI_18_INT_LEVEL	R/W	0 = GPI_18 interrupt is active low. 1 = GPI_18 interrupt is active high.
0	GPI_17_INT_LEVEL	R/W	0 = GPI_17 interrupt is active low. 1 = GPI_17 interrupt is active high.

**GPI\_EVENT\_EN\_A Register 0x21****Table 41. GPI\_EVENT\_EN\_A Bit Descriptions**

Bits	Name	R/W	Description
7	GPI_8_EVENT_EN	R/W	0 = disable GPI events. 1 = allow GPI 8 activity to generate events on the FIFO.
6	GPI_7_EVENT_EN	R/W	0 = disable GPI events. 1 = allow GPI 7 activity to generate events on the FIFO.
5	GPI_6_EVENT_EN	R/W	0 = disable GPI events. 1 = allow GPI 6 activity to generate events on the FIFO.
4	GPI_5_EVENT_EN	R/W	0 = disable GPI events. 1 = allow GPI 5 activity to generate events on the FIFO.
3	GPI_4_EVENT_EN	R/W	0 = disable GPI events. 1 = allow GPI 4 activity to generate events on the FIFO.
2	GPI_3_EVENT_EN	R/W	0 = disable GPI events. 1 = allow GPI 3 activity to generate events on the FIFO.
1	GPI_2_EVENT_EN	R/W	0 = disable GPI events. 1 = allow GPI 2 activity to generate events on the FIFO.
0	GPI_1_EVENT_EN	R/W	0 = disable GPI events. 1 = allow GPI 1 activity to generate events on the FIFO. GPIs in this mode are considered FIFO events and can be used for unlock purposes. GPI activity in this mode causes EVENT_INT interrupts. GPIs in this mode do not generate GPI_INT interrupts.



**GPI\_EVENT\_EN\_B Register 0x22****Table 42. GPI\_EVENT\_EN\_B Bit Descriptions**

Bits	Name	R/W	Description
7	GPI_16_EVENT_EN	R/W	0 = disable GPI events. 1 = allow GPI 16 activity to generate events on the FIFO.
6	GPI_15_EVENT_EN	R/W	0 = disable GPI events. 1 = allow GPI 15 activity to generate events on the FIFO.
5	GPI_14_EVENT_EN	R/W	0 = disable GPI events. 1 = allow GPI 14 activity to generate events on the FIFO.
4	GPI_13_EVENT_EN	R/W	0 = disable GPI events. 1 = allow GPI 13 activity to generate events on the FIFO.
3	GPI_12_EVENT_EN	R/W	0 = disable GPI events. 1 = allow GPI 12 activity to generate events on the FIFO.
2	GPI_11_EVENT_EN	R/W	0 = disable GPI events. 1 = allow GPI 11 activity to generate events on the FIFO.
1	GPI_10_EVENT_EN	R/W	0 = disable GPI events. 1 = allow GPI 10 activity to generate events on the FIFO.
0	GPI_9_EVENT_EN	R/W	0 = disable GPI events. 1 = allow GPI 9 activity to generate events on the FIFO.

**GPI\_EVENT\_EN\_C Register 0x23****Table 43. GPI\_EVENT\_EN\_C Bit Descriptions**

Bits	Name	R/W	Description
[7:3]			Reserved.
2	GPI_19_EVENT_EN	R/W	0 = disable GPI events. 1 = allow GPI 19 activity to generate events on the FIFO.
1	GPI_18_EVENT_EN	R/W	0 = disable GPI events. 1 = allow GPI 18 activity to generate events on the FIFO.
0	GPI_17_EVENT_EN	R/W	0 = disable GPI events. 1 = allow GPI 17 activity to generate events on the FIFO.

**GPI\_INTERRUPT\_EN\_A Register 0x24****Table 44. GPI\_INTERRUPT\_EN\_A Bit Descriptions**

Bits	Name	R/W	Description
7	GPI_8_INT_EN	R/W	0 = GPI_8_INT is disable. 1 = GPI_8_INT enable. Assert the GPI_INT bit (Register 0x01, Bit 1) if GPI_8_INT is set and the GPI interrupt condition is met.
6	GPI_7_INT_EN	R/W	0 = GPI_7_INT is disable. 1 = GPI_7_INT enable. Assert the GPI_INT bit (Register 0x01, Bit 1) if GPI_7_INT is set and the GPI interrupt condition is met.
5	GPI_6_INT_EN	R/W	0 = GPI_6_INT is disable. 1 = GPI_6_INT enable. Assert the GPI_INT bit (Register 0x01, Bit 1) if GPI_6_INT is set and the GPI interrupt condition is met.
4	GPI_5_INT_EN	R/W	0 = GPI_5_INT is disable. 1 = GPI_5_INT enable. Assert the GPI_INT bit (Register 0x01, Bit 1) if GPI_5_INT is set and the GPI interrupt condition is met.
3	GPI_4_INT_EN	R/W	0 = GPI_4_INT is disable. 1 = GPI_4_INT enable. Assert the GPI_INT bit (Register 0x01, Bit 1) if GPI_4_INT is set and the GPI interrupt condition is met.
2	GPI_3_INT_EN	R/W	0 = GPI_3_INT is disable. 1 = GPI_3_INT enable. Assert the GPI_INT bit (Register 0x01, Bit 1) if GPI_3_INT is set and the GPI interrupt condition is met.
1	GPI_2_INT_EN	R/W	0 = GPI_2_INT is disable. 1 = GPI_2_INT enable. Assert the GPI_INT bit (Register 0x01, Bit 1) if GPI_2_INT is set and the GPI interrupt condition is met.

0	GPI_1_INT_EN	R/W	0 = GPI_1_INT is disable. 1 = GPI_1_INT enable. Assert the GPI_INT bit (Register 0x01, Bit 1) if GPI_2_INT is set and the GPI interrupt condition is met.
---	--------------	-----	--

**GPI\_INTERRUPT\_EN\_B Register 0x25****Table 45. GPI\_INTERRUPT\_EN\_B Bit Descriptions**

Bits	Name	R/W	Description
7	GPI_16_INT_EN	R/W	0 = GPI_16_INT is disabled. 1 = GPI_16_INT enable. Assert the GPI_INT bit (Register 0x01, Bit 1) if GPI_16_INT is set and the GPI interrupt condition is met.
6	GPI_15_INT_EN	R/W	0 = GPI_15_INT is disabled. 1 = GPI_15_INT enable. Assert the GPI_INT bit (Register 0x01, Bit 1) if GPI_15_INT is set and the GPI interrupt condition is met.
5	GPI_14_INT_EN	R/W	0 = GPI_14_INT is disabled. 1 = GPI_14_INT enable. Assert the GPI_INT bit (Register 0x01, Bit 1) if GPI_14_INT is set and the GPI interrupt condition is met.
4	GPI_13_INT_EN	R/W	0 = GPI_13_INT is disabled. 1 = GPI_13_INT enable. Assert the GPI_INT bit (Register 0x01, Bit 1) if GPI_13_INT is set and the GPI interrupt condition is met.
3	GPI_12_INT_EN	R/W	0 = GPI_12_INT is disabled. 1 = GPI_12_INT enable. Assert the GPI_INT bit (Register 0x01, Bit 1) if GPI_12_INT is set and the GPI interrupt condition is met.
2	GPI_11_INT_EN	R/W	0 = GPI_11_INT is disabled. 1 = GPI_11_INT enable. Assert the GPI_INT bit (Register 0x01, Bit 1) if GPI_11_INT is set and the GPI interrupt condition is met.
1	GPI_10_INT_EN	R/W	0 = GPI_10_INT is disabled. 1 = GPI_10_INT enable. Assert the GPI_INT bit (Register 0x01, Bit 1) if GPI_10_INT is set and the GPI interrupt condition is met.
0	GPI_9_INT_EN	R/W	0 = GPI_9_INT is disabled. 1 = GPI_9_INT enable. Assert the GPI_INT bit (Register 0x01, Bit 1) if GPI_9_INT is set and the GPI interrupt condition is met.

**GPI\_INTERRUPT\_EN\_C Register 0x26****Table 46. GPI\_INTERRUPT\_EN\_C Bit Descriptions**

Bits	Name	R/W	Description
[7:3]			Reserved.
2	GPI_19_INT_EN	R/W	0 = GPI_19_INT is disabled. 1 = GPI_19_INT enable. Assert the GPI_INT bit (Register 0x01, Bit 1) if GPI_19_INT is set and the GPI interrupt condition is met.
1	GPI_18_INT_EN	R/W	0 = GPI_18_INT is disabled. 1 = GPI_18_INT enable. Assert the GPI_INT bit (Register 0x01, Bit 1) if GPI_18_INT is set and the GPI interrupt condition is met.
0	GPI_17_INT_EN	R/W	0 = GPI_17_INT is disabled. 1 = GPI_17_INT enable. Assert the GPI_INT bit (Register 0x01, Bit 1) if GPI_17_INT is set and the GPI interrupt condition is met.

**DEBOUNCE\_DIS\_A Register 0x27****Table 47. DEBOUNCE\_DIS\_A Bit Descriptions**

Bits	Name	R/W	Description
7	GPI_8_DEB_DIS	R/W	0 = debounce enabled on GPI 8. 1 = debounce disabled on GPI 8.
6	GPI_7_DEB_DIS	R/W	0 = debounce enabled on GPI 7. 1 = debounce disabled on GPI 7.
5	GPI_6_DEB_DIS	R/W	0 = debounce enabled on GPI 6. 1 = debounce disabled on GPI 6.
4	GPI_5_DEB_DIS	R/W	0 = debounce enabled on GPI 5. 1 = debounce disabled on GPI 5.
3	GPI_4_DEB_DIS	R/W	0 = debounce enabled on GPI 4. 1 = debounce disabled on GPI 4.
2	GPI_3_DEB_DIS	R/W	0 = debounce enabled on GPI 3. 1 = debounce disabled on GPI 3.
1	GPI_2_DEB_DIS	R/W	0 = debounce enabled on GPI 2. 1 = debounce disabled on GPI 2.
0	GPI_1_DEB_DIS	R/W	0 = debounce enabled on GPI 1. 1 = debounce disabled on GPI 1.

**DEBOUNCE\_DIS\_B Register 0x28****Table 48. DEBOUNCE\_DIS\_B Bit Descriptions**

Bits	Name	R/W	Description
7	GPI_16_DEB_DIS	R/W	0 = debounce enabled on GPI 16. 1 = debounce disabled on GPI 16.
6	GPI_15_DEB_DIS	R/W	0 = debounce enabled on GPI 15. 1 = debounce disabled on GPI 15.
5	GPI_14_DEB_DIS	R/W	0 = debounce enabled on GPI 14. 1 = debounce disabled on GPI 14.
4	GPI_13_DEB_DIS	R/W	0 = debounce enabled on GPI 13. 1 = debounce disabled on GPI 13.
3	GPI_12_DEB_DIS	R/W	0 = debounce enabled on GPI 12. 1 = debounce disabled on GPI 12.
2	GPI_11_DEB_DIS	R/W	0 = debounce enabled on GPI 11. 1 = debounce disabled on GPI 11.
1	GPI_10_DEB_DIS	R/W	0 = debounce enabled on GPI 10. 1 = debounce disabled on GPI 10.
0	GPI_9_DEB_DIS	R/W	0 = debounce enabled on GPI 9. 1 = debounce disabled on GPI 9.

**DEBOUNCE\_DIS\_C Register 0x29**

Table 49. DEBOUNCE\_DIS\_C Bit Descriptions

Bits	Name	R/W	Description
[7:3]			Reserved.
2	GPI_19_DEB_DIS	R/W	0 = debounce enabled on GPI 19. 1 = debounce disabled on GPI 19.
1	GPI_18_DEB_DIS	R/W	0 = debounce enabled on GPI 18. 1 = debounce disabled on GPI 18.
0	GPI_17_DEB_DIS	R/W	0 = debounce enabled on GPI 17. 1 = debounce disabled on GPI 17.

**GPO\_DATA\_OUT\_A Register 0x2A**

Table 50. GPO\_DATA\_OUT\_A Bit Descriptions

Bits	Name	R/W	Description
7	GPO_8_DATA	R/W	0 = low. 1 = high.
6	GPO_7_DATA	R/W	0 = low. 1 = high.
5	GPO_6_DATA	R/W	0 = low. 1 = high.
4	GPO_5_DATA	R/W	0 = low. 1 = high.
3	GPO_4_DATA	R/W	0 = low. 1 = high.
2	GPO_3_DATA	R/W	0 = low. 1 = high.
1	GPO_2_DATA	R/W	0 = low. 1 = high.
0	GPO_1_DATA	R/W	0 = low. 1 = high.

**GPO\_DATA\_OUT\_B Register 0x2B**

Table 51. GPO\_DATA\_OUT\_B Bit Descriptions

Bits	Name	R/W	Description
7	GPO_16_DATA	R/W	0 = low. 1 = high.
6	GPO_15_DATA	R/W	0 = low. 1 = high.
5	GPO_14_DATA	R/W	0 = low. 1 = high.
4	GPO_13_DATA	R/W	0 = low. 1 = high.
3	GPO_12_DATA	R/W	0 = low. 1 = high.
2	GPO_11_DATA	R/W	0 = low. 1 = high.
1	GPO_10_DATA	R/W	0 = low. 1 = high.
0	GPO_9_DATA	R/W	0 = low. 1 = high.

**GPO\_DATA\_OUT\_C Register 0x2C**

Table 52. GPO\_DATA\_OUT\_C Bit Descriptions

Bits	Name	R/W	Description
[7:3]			Reserved.
2	GPO_19_DATA	R/W	0 = low. 1 = high.
1	GPO_18_DATA	R/W	0 = low. 1 = high.
0	GPO_17_DATA	R/W	0 = low. 1 = high.

**GPO\_OUT\_MODE\_A Register 0x2D**

Table 53. GPO\_OUT\_MODE\_A Bit Descriptions

Bits	Name	R/W	Description
7	GPO_8_OUT_MODE	R/W	0 = push/pull. 1 = open drain.
6	GPO_7_OUT_MODE	R/W	0 = push/pull. 1 = open drain.
5	GPO_6_OUT_MODE	R/W	0 = push/pull. 1 = open drain.
4	GPO_5_OUT_MODE	R/W	0 = push/pull. 1 = open drain.
3	GPO_4_OUT_MODE	R/W	0 = push/pull. 1 = open drain.
2	GPO_3_OUT_MODE	R/W	0 = push/pull. 1 = open drain.
1	GPO_2_OUT_MODE	R/W	0 = push/pull. 1 = open drain.
0	GPO_1_OUT_MODE	R/W	0 = push/pull. 1 = open drain.

**GPO\_OUT\_MODE\_B Register 0x2E**

Table 54. GPO\_OUT\_MODE\_B Bit Descriptions

Bits	Name	R/W	Description
7	GPO_16_OUT_MODE	R/W	0 = push/pull. 1 = open drain.
6	GPO_15_OUT_MODE	R/W	0 = push/pull. 1 = open drain.
5	GPO_14_OUT_MODE	R/W	0 = push/pull. 1 = open drain.
4	GPO_13_OUT_MODE	R/W	0 = push/pull. 1 = open drain.
3	GPO_12_OUT_MODE	R/W	0 = push/pull. 1 = open drain.
2	GPO_11_OUT_MODE	R/W	0 = push/pull. 1 = open drain.
1	GPO_10_OUT_MODE	R/W	0 = push/pull. 1 = open drain.
0	GPO_9_OUT_MODE	R/W	0 = push/pull. 1 = open drain.

**GPO\_OUT\_MODE\_C Register 0x2F**

Table 55. GPO\_OUT\_MODE\_C Bit Descriptions

Bits	Name	R/W	Description
[7:3]			Reserved.
2	GPO_19_DIR	R/W	0 = push/pull. 1 = open drain.
1	GPO_18_DIR	R/W	0 = push/pull. 1 = open drain.
0	GPO_17_DIR	R/W	0 = push/pull. 1 = open drain.

**GPIO\_DIRECTION\_A Register 0x30**

Table 56. GPIO\_DIRECTION\_A Bit Descriptions

Bits	Name	R/W	Description
7	GPIO_8_DIR	R/W	0 = GPIO 8 is an input. 1 = GPIO 8 is an output.
6	GPIO_7_DIR	R/W	0 = GPIO 7 is an input. 1 = GPIO 7 is an output.
5	GPIO_6_DIR	R/W	0 = GPIO 6 is an input. 1 = GPIO 6 is an output.
4	GPIO_5_DIR	R/W	0 = GPIO 5 is an input. 1 = GPIO 5 is an output.
3	GPIO_4_DIR	R/W	0 = GPIO 4 is an input. 1 = GPIO 4 is an output.
2	GPIO_3_DIR	R/W	0 = GPIO 3 is an input. 1 = GPIO 3 is an output.
1	GPIO_2_DIR	R/W	0 = GPIO 2 is an input. 1 = GPIO 2 is an output.
0	GPIO_1_DIR	R/W	0 = GPIO 1 is an input. 1 = GPIO 1 is an output.

**GPIO\_DIRECTION\_B Register 0x31**

Table 57. GPIO\_DIRECTION\_B Bit Descriptions

Bits	Name	R/W	Description
7	GPIO_16_DIR	R/W	0 = GPIO 16 is an input. 1 = GPIO 16 is an output.
6	GPIO_15_DIR	R/W	0 = GPIO 15 is an input. 1 = GPIO 15 is an output.
5	GPIO_14_DIR	R/W	0 = GPIO 14 is an input. 1 = GPIO 14 is an output.
4	GPIO_13_DIR	R/W	0 = GPIO 13 is an input. 1 = GPIO 13 is an output.
3	GPIO_12_DIR	R/W	0 = GPIO 12 is an input. 1 = GPIO 12 is an output.
2	GPIO_11_DIR	R/W	0 = GPIO 11 is an input. 1 = GPIO 11 is an output.
1	GPIO_10_DIR	R/W	0 = GPIO 10 is an input. 1 = GPIO 10 is an output.
0	GPIO_9_DIR	R/W	0 = GPIO 9 is an input. 1 = GPIO 9 is an output.

**GPIO\_DIRECTION\_C Register 0x32**

Table 58. GPIO\_DIRECTION\_C Bit Descriptions

Bits	Name	R/W	Description
[7:3]			Reserved.
2	GPIO_19_DIR	R/W	0 = GPIO 19 is an input. 1 = GPIO 19 is an output.
1	GPIO_18_DIR	R/W	0 = GPIO 18 is an input. 1 = GPIO 18 is an output.
0	GPIO_17_DIR	R/W	0 = GPIO 17 is an input. 1 = GPIO 17 is an output.

**UNLOCK1 Register 0x33**

Table 59. UNLOCK1 Bit Descriptions

Bits	Name	R/W	Description
7	UNLOCK1_STATE	R/W	Defines which state the first unlock event should be For key events: 0 = not applicable; releases not used for unlock. 1 = press is used as unlock event. For GPIOs and logic outputs configured for FIFO updates: 0 = inactive event used as reset condition. 1 = active event used as reset condition.
[6:0]	UNLOCK1[6:0]	R/W	Defines the first event that must be detected to unlock the keypad after LOCK_EN has been set.

**UNLOCK2 Register 0x34**

Table 60. UNLOCK2 Bit Descriptions

Bits	Name	R/W	Description
7	UNLOCK2_STATE	R/W	Defines which state the second unlock event should be. For key events: 0 = not applicable; releases not used for unlock. 1 = press is used as unlock event. For GPIOs and logic outputs configured for FIFO updates: 0 = inactive event used as reset condition. 1 = active event used as reset condition.
[6:0]	UNLOCK2[6:0]	R/W	Defines the second event that must be detected to unlock the keypad after LOCK_EN has been set.

**EXT\_LOCK\_EVENT Register 0x35**

Table 61. EXT\_LOCK\_EVENT Bit Descriptions

Bits	Name	R/W	Description
7	EXT_LOCK_STATE	R/W	Defines which state the lock event should be. For key events: 0 = not applicable; releases not used for unlock. 1 = press is used as unlock event. For GPIOs and logic outputs configured for FIFO updates: 0 = inactive event used as reset condition. 1 = active event used as reset condition.
[6:0]	EXT_LOCK_EVENT[6:0]	R/W	Defines an event that can lock the keypad. When this event is detected, LOCK_INT is set.

**UNLOCK\_TIMERS Register 0x36**

Table 62. UNLOCK\_TIMERS Bit Descriptions

Bits	Name	R/W	Description
[7:3]	INT_MASK_TIMER[4:0]	R/W	If the keypad is locked and this timer is set, any key event (or GPI/logic event programmed to FIFO update) is allowed to generate an EVENT_INT interrupt. This timer then begins counting, and no further events generate an interrupt until this timer has expired (or both unlock events have occurred). 00000 = disabled. 00001 = 1 sec. 00010 = 2 sec. 11110 = 30 sec. 11111 = 31 sec.
[2:0]	UNLOCK_TIMER[2:0]	R/W	Defines the time in which the second unlock event must occur after the first unlock event has occurred. If the second unlock event does not occur within this time (or any other event occurs), the keypad goes back to full lock mode. 000 = disabled. 001 = 1 sec. 010 = 2 sec. 011 = 3 sec. 100 = 4 sec. 101 = 5 sec. 110 = 6 sec. 111 = 7 sec.

**LOCK\_CFG Register 0x37**

Table 63. LOCK\_CFG Bit Descriptions

Bits	Name	R/W	Description
[7:1]			Reserved.
0	LOCK_EN	R/W	Enable the lock function.

**RESET1\_EVENT\_A Register 0x38**

Table 64. RESET1\_EVENT\_A Bit Descriptions

Bits	Name	R/W	Description
7	RESET1_EVENT_A Level	R/W	Defines which level the first reset event should be. For key events: 0 = not applicable; releases not used for reset generation. 1 = press is used as reset event. For GPIs and logic outputs configured for FIFO updates: 0 = inactive event used as reset condition. 1 = active event used as reset condition.
[6:0]	RESET1_EVENT_A[6:0]	R/W	Defines an event that can be used to generate the RESET1 signal. Up to three events can be defined for generating the RESET1 signal, using RESET1_EVENT_A[6:0], RESET1_EVENT_B[6:0], and RESET1_EVENT_C[6:0]. If one of the registers is 0, that register is not used for reset generation. All reset events must be detected at the same time to trigger the reset.

**RESET1\_EVENT\_B Register 0x39**

Table 65. RESET1\_EVENT\_B Bit Descriptions

Bits	Name	R/W	Description
7	RESET1_EVENT_B Level	R/W	Defines which level the second reset event should be.
[6:0]	RESET1_EVENT_B[6:0]	R/W	Defines an event that can be used to generate the RESET1 signal.



**RESET1\_EVENT\_C Register 0x3A****Table 66. RESET1\_EVENT\_C Bit Descriptions**

Bits	Name	R/W	Description
7	RESET1_EVENT_B Level	R/W	Defines which level the third reset event should be.
[6:0]	RESET1_EVENT_C[6:0]	R/W	Defines an event that can be used to generate the RESET1 signal.

**RESET2\_EVENT\_A Register 0x3B****Table 67. RESET2\_EVENT\_A Bit Descriptions**

Bits	Name	R/W	Description
7	RESET1_EVENT_B Level	R/W	Defines which level the first reset event should be. For key events: 0 = not applicable; releases not used for reset generation. 1 = press is used as reset event. For GPIOs and logic outputs configured for FIFO updates: 0 = inactive event used as reset condition. 1 = active event used as reset condition.
[6:0]	RESET2_EVENT_A[6:0]	R/W	Defines an event that can be used to generate the RESET2 signal. Up to two events can be defined for generating the RESET2 signal, using RESET2_EVENT_A[6:0] and RESET2_EVENT_B[6:0]. If one of the registers is 0, that register is not used for reset generation. All reset events must be detected at the same time to trigger the reset.

**RESET2\_EVENT\_B Register 0x3C****Table 68. RESET2\_EVENT\_B Bit Descriptions**

Bits	Name	R/W	Description
7	RESET1_EVENT_B Level	R/W	Defines which level the second reset event should be.
[6:0]	RESET2_EVENT_B[6:0]	R/W	Defines an event that can be used to generate the RESET2 signal.

**RESET\_CFG Register 0x3D****Table 69. RESET\_CFG Bit Descriptions**

Bits	Name	R/W	Description
7	RESET2_POL	R/W	Sets the polarity of RESET2. 0 = RESET2 is active low. 1 = RESET2 is active high.
6	RESET1_POL	R/W	Sets the polarity of RESET1. 0 = RESET1 is active low. 1 = RESET1 is active high.
5	RST_PASSTHRU_EN	R/W	Allows the RST pin to override (OR with) the RESET1 signal. Function not applicable to RESET2.
[4:2]	RESET_TRIGGER_TIME[2:0]	R/W	Defines the length of time that the reset events must be active before a reset signal is generated. All events must be active at the same time for the same duration. Parameter common to both RESET1 and RESET2. 000 = immediate. 001 = 1.0 sec. 010 = 1.5 sec. 011 = 2.0 sec. 100 = 2.5 sec. 101 = 3.0 sec. 110 = 3.5 sec. 111 = 4.0 sec.

Bits	Name	R/W	Description
[1:0]	RESET_PULSE_WIDTH[1:0]	R/W	Defines the pulse width of the reset signals. Parameter common to both RESET1 and RESET2. 00 = 500 $\mu$ s. 01 = 1 ms. 10 = 2 ms. 11 = 10 ms.

ADP5589AC\_Z-00-R7, ADP5589AC\_Z-02-R7 Default = 0000 0000

ADP5589AC\_Z-01-R7 Default = 0010 0000

**PWM\_OFFT\_LOW Register 0x3E**

Table 70. PWM\_OFFT\_LOW Bit Descriptions

Bits	Name	R/W	Description
[7:0]	PWM_OFFT_LOW_BYTE[7:0]	R/W	Lower eight bits of PWM off time.

**PWM\_OFFT\_HIGH Register 0x3F**

Table 71. PWM\_OFFT\_HIGH Bit Descriptions

Bits	Name	R/W	Description
[7:0]	PWM_OFFT_HIGH_BYTE[7:0]	R/W	Upper eight bits of PWM off time.

**PWM\_ONT\_LOW Register 0x40**

Table 72. PWM\_ONT\_LOW Bit Descriptions

Bits	Name	R/W	Description
[7:0]	PWM_ONT_LOW_BYTE[7:0]	R/W	Lower eight bits of PWM on time.

**PWM\_ONT\_HIGH Register 0x41**

Table 73. PWM\_ONT\_HIGH Bit Descriptions

Bits	Name	R/W	Description
[7:0]	PWM_ONT_HIGH_BYTE[7:0]	R/W	Upper eight bits of PWM on time. Note that updated PWM times are not latched until this byte is written to. PWM count times are referenced from the internal oscillator. The fastest oscillator setting is 500 kHz (1 $\mu$ s increments). Therefore, maximum on/off time is $1 \mu\text{s} \times (2^{16} - 1) = 65.5 \text{ ms}$ This gives PWM frequencies from 500 kHz down to 7.6 Hz.

**PWM\_CFG Register 0x42**

Table 74. PWM\_CFG Bit Descriptions

Bits	Name	R/W	Description
[7:3]			Reserved.
2	PWM_IN_AND	R/W	AND the internally generated PWM signal with an externally supplied PWM signal (C6).
1	PWM_MODE	R/W	Defines PWM mode. 0 = continuous. 1 = one shot. If a one-shot is performed, the PWM_EN bit is automatically cleared. If a second one-shot must be performed, the user must set PWM_EN again.
0	PWM_EN	R/W	Enable PWM generator.

**CLOCK\_DIV\_CFG Register 0x43**

Table 75. CLOCK\_DIV\_CFG Bit Descriptions

Bits	Name	R/W	Description
7			Reserved.
6	CLK_INV	R/W	Inverts the divided down clock signal.
[5: 1]	CLK_DIV[4:0]	R/W	Defines the divide down scale of the externally supplied clock. 00000 = divide by 1 (pass-through). 00001 = divide by 2. 00010 = divide by 3. 00011 = divide by 4. 11111 = divide by 32.
0	CLK_DIV_EN	R/W	Enables the clock divider circuit to divide down the externally supplied clock signal.

**LOGIC\_1\_CFG Register 0x44**

Table 76. LOGIC\_1\_CFG Bit Descriptions

Bits	Name	R/W	Description
7			Reserved.
6	LY1_INV	R/W	0 = LY1 output not inverted before passing into Logic Block 1. 1 = inverts output LY1 from Logic Block 1.
5	LC1_INV	R/W	0 = LC1 input not inverted before passing into Logic Block 1. 1 = inverts input LC1 before passing it into Logic Block 1.
4	LB1_INV	R/W	0 = LB1 input not inverted before passing into Logic Block 1. 1 = inverts input LB1 before passing it into Logic Block 1.
3	LA1_INV	R/W	0 = LA1 input not inverted before passing into Logic Block 1. 1 = inverts input LA1 before passing it into Logic Block 1.
[2: 0]	LOGIC1_SEL[2:0]	R/W	Configures the digital mux for Logic Block 1. 000 = off/disable. 001 = AND1. 010 = OR1. 011 = XOR1. 100 = FF1. 101 = IN_LA1. 110 = IN_LB1. 111 = IN_LC1.

**LOGIC\_2\_CFG Register 0x45**

Table 77. LOGIC\_2\_CFG Bit Descriptions

Bits	Name	R/W	Description
7	LY1_CASCADE	R/W	0 = use Input LA2 for Logic Block 2. 1 = use Output LY1 from Logic Block 1 instead of LA2 as the input for Logic Block 2. The R0 pin can be used as GPIO or key when cascade is in use.
6	LY2_INV	R/W	0 = LY2 input not inverted before passing into Logic Block 2. 1 = inverts Output LY2 from Logic Block 2.
5	LC2_INV	R/W	0 = LC2 input not inverted before passing into Logic Block 2. 1 = inverts Input LC2 before passing it into Logic Block 2.
4	LB2_INV	R/W	0 = LB2 input not inverted before passing into Logic Block 2. 1 = inverts Input LB2 before passing it into Logic Block 2.
3	LA2_INV	R/W	0 = LA2 input not inverted before passing into Logic Block 2. 1 = inverts Input LA2 before passing it into Logic Block 2.

Bits	Name	R/W	Description
[2: 0]	LOGIC2_SEL[2:0]	R/W	Configures the digital mux for Logic Block 2. 000 = off/disable. 001 = AND2. 010 = OR2. 011 = XOR2. 100 = FF2. 101 = IN_LA2. 110 = IN_LB2. 111 = IN_LC2.

**LOGIC\_FF\_CFG Register 0x46**

Table 78. LOGIC\_FF\_CFG Bit Descriptions

Bits	Name	R/W	Description
[7: 4]		R/W	Reserved.
3	FF2_SET	R/W	0 = FF2 not set in Logic Block 2. 1 = set FF2 in Logic Block 2.
2	FF2_CLR	R/W	0 = FF2 not cleared in Logic Block 2. 1 = clear FF2 in Logic Block 2.
1	FF1_SET	R/W	0 = FF1 not set in Logic Block 1. 1 = set FF1 in Logic Block 1.
0	FF1_CLR	R/W	0 = FF1 not cleared in Logic Block 1. 1 = clear FF1 in Logic Block 1.

**LOGIC\_INT\_EVENT\_EN Register 0x47**

Table 79. LOGIC\_INT\_EVENT\_EN Bit Descriptions

Bits	Name	R/W	Description
[7: 6]		R/W	Reserved.
5	LY2_DBNC_DIS	R/W	0 = output of Logic Block 2 is debounced before entering the event/interrupt block. 1 = output of Logic Block 2 is not debounced before entering the event/interrupt block. Use with caution because glitches may generate interrupts prematurely.
4	LOGIC2_EVENT_EN	R/W	0 = LY2 cannot generate interrupt. 1 = allow LY2 activity to generate events on the FIFO.
3	LOGIC2_INT_LEVEL	R/W	Configure the logic level of LY2 that generates an interrupt. 0 = LY2 is active low. 1 = LY2 is active high.
2	LY1_DBNC_DIS	R/W	0 = output of Logic Block 1 is debounced before entering the event/interrupt block. 1 = output of Logic Block 1 is not debounced before entering the event/interrupt block. Use with caution because glitches may generate interrupts prematurely.
1	LOGIC1_EVENT_EN	R/W	0 = LY1 cannot generate interrupt. 1 = allow LY1 activity to generate events on the FIFO.
0	LOGIC1_INT_LEVEL	R/W	Configure the logic level of LY1 that generates an interrupt. 0 = LY1 is active low. 1 = LY1 is active high.

**POLL\_TIME\_CFG Register 0x48**

Table 80. POLL\_TIME\_CFG Bit Descriptions

Bits	Name	R/W	Description
[7: 2]			Reserved.
[1: 0]	KEY_POLL_TIME[1:0]	R/W	Configure time between consecutive scan cycles. 00 = 10 ms. 01 = 20 ms. 10 = 30 ms. 11 = 40 ms.

**PIN\_CONFIG\_A Register 0x49****Table 81. PIN\_CONFIG\_A Bit Descriptions**

Bits	Name	R/W	Description
7	R7_CONFIG	R/W	0 = GPIO 8. 1 = Row 7.
6	R6_CONFIG	R/W	0 = GPIO 7. 1 = Row 6.
5	R5_CONFIG	R/W	0 = GPIO 6. 1 = Row 5.
4	R4_CONFIG	R/W	0 = GPIO 5 (see R4_EXTEND_CFG in PIN_CONFIG_D Register 0x4C Table 84 for alternate configuration, RESET1). 1 = Row 4.
3	R3_CONFIG	R/W	0 = GPIO 4 (see R3_EXTEND_CFG[1:0] in PIN_CONFIG_D Register 0x4C Table 84 for alternate configuration, LC1/PWM_OUT/CLK_OUT). 1 = Row 3.
2	R2_CONFIG	R/W	0 = GPIO 3. 1 = Row 2.
1	R1_CONFIG	R/W	0 = GPIO 2. 1 = Row 1.
0	R0_CONFIG	R/W	0 = GPIO 1 (see R0_EXTEND_CFG in PIN_CONFIG_D Register 0x4C Table 84 for alternate configuration, LY1). 1 = Row 0.

**PIN\_CONFIG\_B Register 0x4A****Table 82. PIN\_CONFIG\_B Bit Descriptions**

Bits	Name	R/W	Description
7	C7_CONFIG	R/W	0 = GPIO 16. 1 = Column 7.
6	C6_CONFIG	R/W	0 = GPIO 15 (see C6_EXTEND_CFG in PIN_CONFIG_D Register 0x4C Table 84 for alternate configuration, LC2). 1 = Column 6.
5	C5_CONFIG	R/W	0 = GPIO 14. 1 = Column 5.
4	C4_CONFIG	R/W	0 = GPIO 13 (see C4_EXTEND_CFG in PIN_CONFIG_D Register 0x4C Table 84 for alternate configuration, RESET2). 1 = Column 4.
3	C3_CONFIG	R/W	0 = GPIO 12. 1 = Column 3.
2	C2_CONFIG	R/W	0 = GPIO 11. 1 = Column 2.
1	C1_CONFIG	R/W	0 = GPIO 10. 1 = Column 1.
0	C0_CONFIG	R/W	0 = GPIO 9. 1 = Column 0.

**PIN\_CONFIG\_C Register 0x4B****Table 83. PIN\_CONFIG\_C Bit Descriptions**

Bits	Name	R/W	Description
[7:3]			Reserved.
2	C10_CONFIG	R/W	0 = GPIO 19. 1 = Column 10.
1	C9_CONFIG	R/W	0 = GPIO 18 (see C9_EXTEND_CFG in PIN_CONFIG_D Register 0x4C Table 84 for alternate configuration, LY2). 1 = Column 9.
0	C8_CONFIG	R/W	0 = GPIO 17. 1 = Column 8.

**PIN\_CONFIG\_D Register 0x4C****Table 84. PIN\_CONFIG\_D Bit Descriptions**

Bits	Name	R/W	Description
7	PULL_SELECT	R/W	0 = 300 kΩ used for row pull-up during key scanning. 1 = 100 kΩ used for row pull-up during key scanning.
6	C4_EXTEND_CFG	R/W	0 = C4 remains configured as GPIO 13. 1 = C4 reconfigured as RESET2 output.
5	R4_EXTEND_CFG	R/W	0 = R4 remains configured as GPIO 5. 1 = R4 reconfigured as RESET1 output.
4	C6_EXTEND_CFG	R/W	0 = C6 remains configured as GPIO 15. 1 = C6 reconfigured as LC2 input for Logic Block 2.
[3:2]	R3_EXTEND_CFG[1:0]	R/W	00 = R3 remains configured as GPIO 4. 01 = R3 reconfigured as LC1 input for Logic Block 1. 10 = R3 reconfigured as PWM_OUT/CLK_OUT outputs from PWM and clock divider blocks. 11 = unused.
1	C9_EXTEND_CFG	R/W	0 = C9 remains configured as GPIO 18. 1 = C9 reconfigured as LY2 output from Logic Block 2.
0	R0_EXTEND_CFG	R/W	0 = R0 remains configured as GPIO 1. 1 = R0 reconfigured as LY1 output from Logic Block 1.

ADP5589AC\_Z-00-R7, ADP5589AC\_Z-02-R7 Default = 0000 0000

ADP5589AC\_Z-01-R7 Default = 0010 0000

**GENERAL\_CFG\_B Register 0x4D****Table 85. GENERAL\_CFG\_B Bit Descriptions**

Bits	Name	R/W	Description
7	OSC_EN	R/W	0 = disable internal 1 MHz oscillator. 1 = enable internal 1 MHz oscillator.
[6:5]	CORE_FREQ[1:0]	R/W	Sets the input clock frequency fed from the base 1 MHz oscillator to the digital core. Slower frequencies result in less I <sub>DD</sub> . However, key and GPI scan times increase. 00 = 50 kHz. 01 = 100 kHz. 10 = 200 kHz. 11 = 500 kHz.
4	LCK_TRK_LOGIC	R/W	0 = allow logic outputs (programmed for FIFO updates) to be tracked on the FIFO if the keypad is locked. 1 = do not track.
3	LCK_TRK_GPI	R/W	0 = allow GPIs (programmed for FIFO updates) to be tracked on the FIFO if the keypad is locked. 1 = do not track.
2			Unused
1	INT_CFG	R/W	Configure the behavior of the $\overline{\text{INT}}$ pin if the user tries to clear it while an interrupt is pending. 0 = $\overline{\text{INT}}$ pin remains asserted if an interrupt is pending. 1 = $\overline{\text{INT}}$ pin deasserts for 50 μs and reasserts if an interrupt is pending.
0	RST_CFG	R/W	Configure the response ADP5589 has to the $\overline{\text{RST}}$ pin. 0 = ADP5589 resets if $\overline{\text{RST}}$ is low. 1 = ADP5589 does not reset if $\overline{\text{RST}}$ is low.

**INT\_EN Register 0x4E****Table 86. INT\_EN Bit Descriptions**

Bits	Name	R/W	Description
[7:6]			Reserved.
5	LOGIC2_IEN	R/W	0 = Logic 2 interrupt is disabled. 1 = assert the INT pin if LOGIC2_INT is set.
4	LOGIC1_IEN	R/W	0 = Logic 1 interrupt is disabled. 1 = assert the INT pin if LOGIC1_INT is set.
3	LOCK_IEN	R/W	0 = lock interrupt is disabled. 1 = assert the INT pin if LOCK_INT is set.
2	OVRFLOW_IEN	R/W	0 = overflow interrupt is disabled. 1 = assert the INT pin if OVRFLOW_INT is set.
1	GPI_IEN	R/W	0 = GPI interrupt is disabled. 1 = assert the INT pin if GPI_INT is set.
0	EVENT_IEN	R/W	0 = event interrupt is disabled. 1 = assert the INT pin if EVENT_INT is set.

APPLICATION DIAGRAM

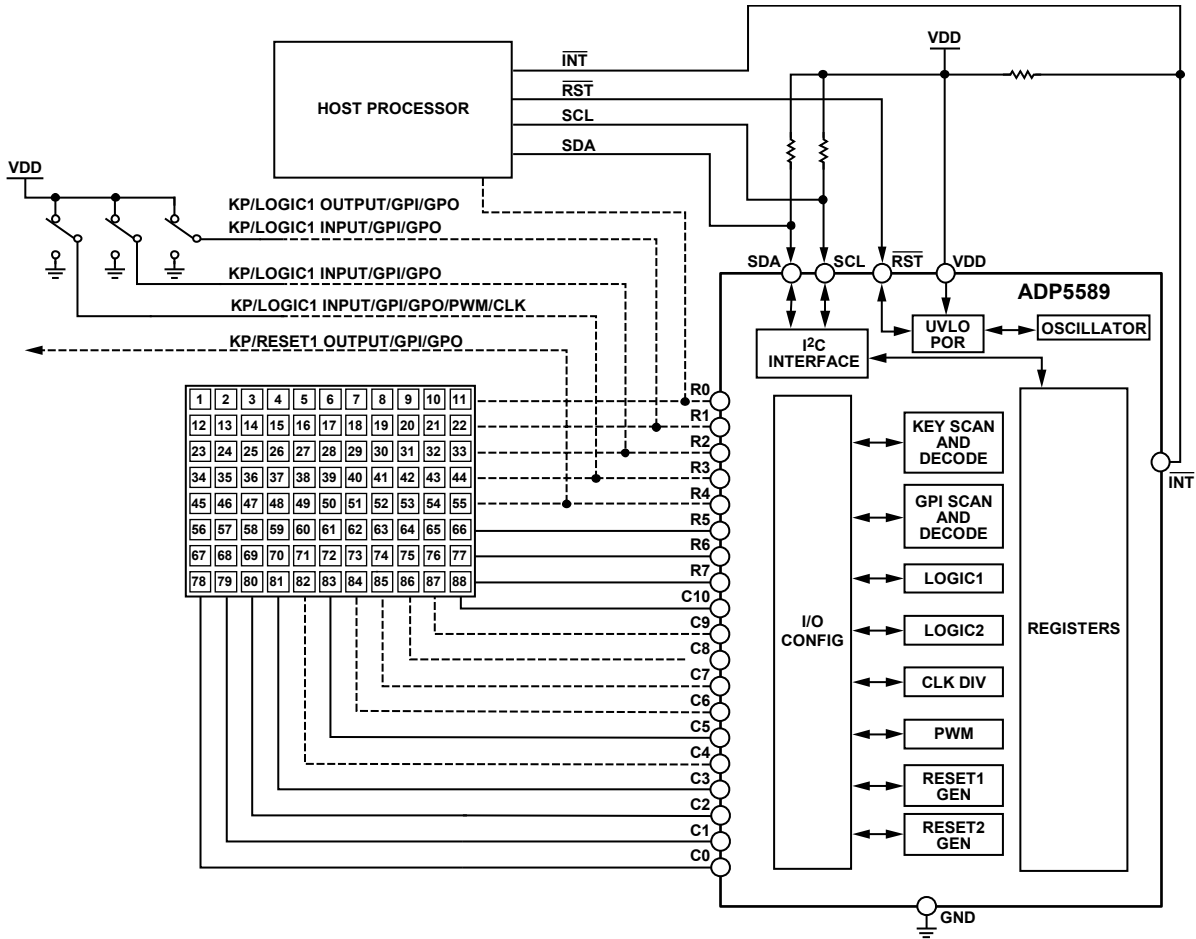
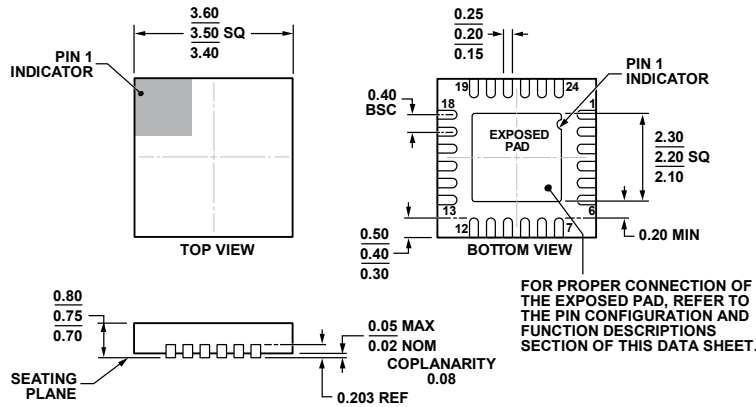


Figure 31. Typical Configuration

06714-030



OUTLINE DIMENSIONS



COMPLIANT TO JEDEC STANDARDS MO-220-WFFE.  
 Figure 32. 24-Lead Lead Frame Chip Scale Package [LFCSP\_WQ]  
 3.5 mm x 3.5 mm Body, Very Very Thin Quad  
 (CP-24-11)  
 Dimensions shown in millimeters

04-13-2012-A

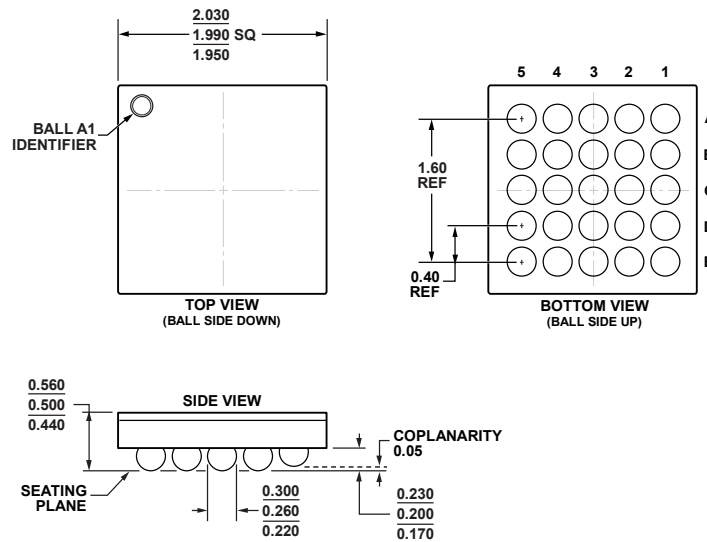


Figure 33. 25-Ball Wafer Level Chip Scale Package [WLCSP]  
 (CB-25-5)  
 Dimensions shown in millimeters

11-02-2012-A

ORDERING GUIDE

Model <sup>1</sup>	Temperature Range	Package Description	Package Option
ADP5589ACPZ-00-R7	-40°C to +85°C	24-Lead Lead Frame Chip Scale Package[LFCSP_WQ]	CP-24-11
ADP5589ACPZ-01-R7	-40°C to +85°C	24-Lead Lead Frame Chip Scale Package[LFCSP_WQ]	CP-24-11
ADP5589ACPZ-02-R7	-40°C to +85°C	24-Lead Lead Frame Chip Scale Package[LFCSP_WQ]	CP-24-11
ADP5589ACBZ-00-R7	-40°C to +85°C	25-Ball Wafer Level Chip Scale Package[WLCSP]	CB-25-5
ADP5589ACBZ-01-R7	-40°C to +85°C	25-Ball Wafer Level Chip Scale Package[WLCSP]	CB-25-5
ADP5589ACBZ-02-R7	-40°C to +85°C	25-Ball Wafer Level Chip Scale Package[WLCSP]	CB-25-5
ADP5589CP-EVALZ		Evaluation Board	

<sup>1</sup> Z = RoHS Compliant Part.

**NOTES**

**NOTES**

**NOTES**

I<sup>2</sup>C refers to a communications protocol originally developed by Philips Semiconductors (now NXP Semiconductors).

©2011–2013 Analog Devices, Inc. All rights reserved. Trademarks and registered trademarks are the property of their respective owners.  
D09714-0-1/13(B)



[www.analog.com](http://www.analog.com)

Компания «Life Electronics» занимается поставками электронных компонентов импортного и отечественного производства от производителей и со складов крупных дистрибьюторов Европы, Америки и Азии.

С конца 2013 года компания активно расширяет линейку поставок компонентов по направлению коаксиальный кабель, кварцевые генераторы и конденсаторы (керамические, пленочные, электролитические), за счёт заключения дистрибьюторских договоров

Мы предлагаем:

- Конкурентоспособные цены и скидки постоянным клиентам.
- Специальные условия для постоянных клиентов.
- Подбор аналогов.
- Поставку компонентов в любых объемах, удовлетворяющих вашим потребностям.
- Приемлемые сроки поставки, возможна ускоренная поставка.
- Доставку товара в любую точку России и стран СНГ.
- Комплексную поставку.
- Работу по проектам и поставку образцов.
- Формирование склада под заказчика.
- Сертификаты соответствия на поставляемую продукцию (по желанию клиента).
- Тестирование поставляемой продукции.
- Поставку компонентов, требующих военную и космическую приемку.
- Входной контроль качества.
- Наличие сертификата ISO.

В составе нашей компании организован Конструкторский отдел, призванный помогать разработчикам, и инженерам.

Конструкторский отдел помогает осуществить:

- Регистрацию проекта у производителя компонентов.
- Техническую поддержку проекта.
- Защиту от снятия компонента с производства.
- Оценку стоимости проекта по компонентам.
- Изготовление тестовой платы монтаж и пусконаладочные работы.



Тел: +7 (812) 336 43 04 (многоканальный)

Email: [org@lifeelectronics.ru](mailto:org@lifeelectronics.ru)