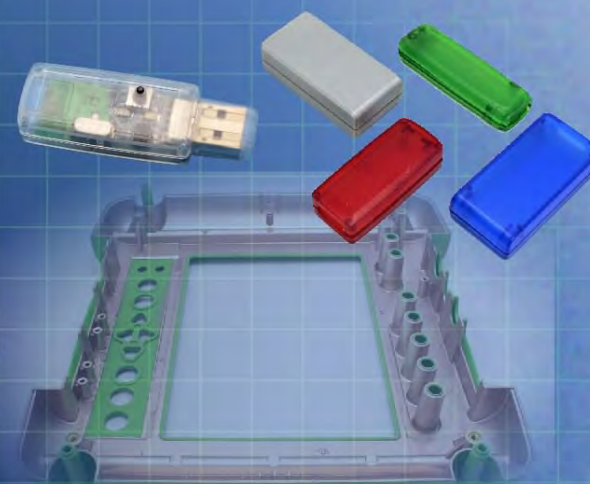


Ordering a market-ready enclosure® is made fast and affordable with our complete in-house capabilities. New Age provides machined openings to fit your PCB, pad printing for your graphics, custom enclosures, custom colors, final assembly, testing and fulfillment services to save you additional time and money. Ask your representative for a free quote today 805-595-1310.

Fast and Affordable Customization

**CNC Modifications
Pad Printing
Colored Resins
EMI/RF Shielding
Custom Enclosure
Assembly & Testing**



ISO quality
off-the-shelf
to market-ready®

NEW AGE ENCLOSURES

www.NewAgeEnclosures.com

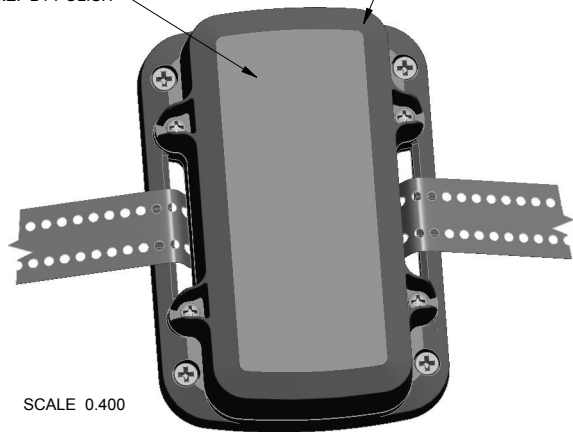
4330 Santa Fe Road • San Luis Obispo, CA 93401 • T 805.595.1310 • F 805.595.1024

NOTES: UNLESS OTHERWISE SPECIFIED

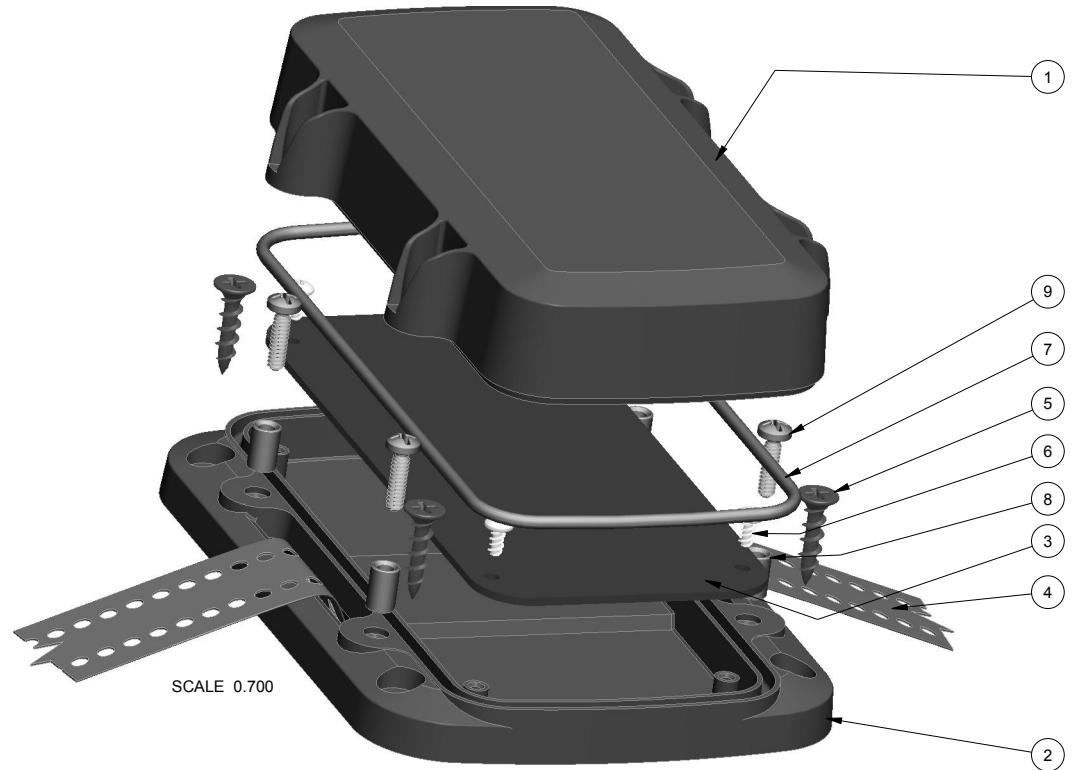
1. CORNERS DRAWN SHARP TO BE R.010 MAXIMUM.
2. EXTERIOR SURFACE TEXTURE TO BE MT-11020, UNLESS SPECIFIED OTHERWISE
3. ALL INSIDE RADII .020R. UNLESS OTHERWISE SPECIFIED.
4. ALL EXTERNAL DIMENSIONS AFFECTED BY THE DRAFT APPLY AT THE LARGE END OF THE FEATURE, AND ALL INTERNAL FEATURES AFFECTED BY THE DRAFT APPLY AT THE SMALL END OF THE FEATURE UNLESS OTHERWISE SPECIFIED.
5. 1 DEGREE DRAFT IN THE DIRECTION OF PULL IS PERMISSIBLE UNLESS OTHERWISE SPECIFIED.
6. MATERIAL / COLOR: ASA PLASTIC IS STANDARD IN BLACK OR GREY. CUSTOM MATERIALS AND COLORS ARE AVAILABLE UPON REQUEST FOR QUOTE. SLIGHT COSMETIC SWIRLING, BLUSHING, AND/OR DISCOLORATION CAN OCCUR IN THIS ENCLOSURE DUE TO UV INHIBITORS IN THE RESIN.
7. PCB SIZES ARE RECOMMENDATIONS ONLY. FINAL SIZES AND VERIFICATION OF IT'S FIT ARE THE SOLE RESPONSIBILITY OF EACH OWNER.
8. ASSEMBLY SCREWS FOR THE ENCLOSURE INCLUDED. MOUNTING SCREWS FOR THE PCB ARE SOLD SEPERATELY.
9. THIS DRAWING IS BASED ON A SOLID MODEL, AND IS FURTHER DEFINED BY THE SOLID MODEL FILE.
10. ALLOWABLE FLASH: 0.010 MAX.
11. ALL EJECTOR PIN MARKS TO BE WITHIN 0.010" OF FLUSH, PROTRUDING OR BELOW FLUSH.
12. TRIM GATE WITHIN 0.030" OF FLUSH.
13. THIS ENCLOSURE IS CONSTRUCTED FOR INDOOR OR OUTDOOR USE TO PROVIDE A DEGREE OF PROTECTION TO THE EQUIPMENT INSIDE AGAINST THE INGRESS OF SOLID FOREIGN OBJECTS (FALLING DIRT); AND TO PROVIDE A DEGREE OF PROTECTION WITH RESPECT TO TO HARMFUL EFFECTS ON THE EQUIPMENT DUE TO THE INGRESS OF WATER (DRIPPING OR SPLASHING).

TEXTURE: B1 POLISH

TEXTURE: MT-11020

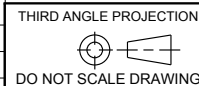


R E V I S I O N					
REV.	DRAWN BY	ECO No	DESCRIPTION	DATE	APPROVED
A-L	M BOYER		PRELIMINARY DESIGN - SEE REV L FOR REV. A-L DESCRIPTIONS	17-Jun-13	D.C.
1.0	R CRUZ		RELEASED TO MFG PER CUSTOMER	17-Jun-13	D.C.
1.1	M BOYER		REVISE SCREW PART NUMBER	18-Jun-13	D.C.
2.0	R CRUZ	8513	O-RING TO BE SOLD WITH ENCLOSURE	30-Dec-13	D.C.
2.1	R CRUZ	02115	UPDATE NOTE 6	20-May-15	



9	6-32_PHILLIPS_SCREW	6-32 PHILLIPS SCREW x .375"	18-8 STAINLESS	S-MS 6-32.375	4
8	6-32X344_BRASS-INSERT	6-32 BRASS INSERT x .344"	TRISTAR 632x344MB	OVER-MOLDED	4
7	542713_ORING	542713 ORING - STANDARD	TPE G7930	NATURAL	1
6	SCREW_HILO-N04	#4 HiLo SCREW x .250"	ZINK PLATED	CUSTOMER SUPPLIED	4
5	SCREW-DRYWALLX750	DRYWALL SCREW	REFERENCE ONLY	CUSTOMER SUPPLIED	4
4	542713_STRAP	MOUNTING STRAP x 1.000" WIDE	REFERENCE	CUSTOMER SUPPLIED	1
3	542713_PCB	542713 PCB - REFERENCE	.062" THICK	CUSTOMER SUPPLIED	1
2	542713_WALL-BASE	542713 WALL BASE - STANDARD	ASA	BLACK or GREY	1
1	542713_COVER	542713 COVER - STANDARD	ASA	BLACK or GREY	1
ITEM	FILE NAME	DESCRIPTION	MATERIAL	COLOR	QTY.

BILL OF MATERIALS



TOLERANCES: UNLESS OTHERWISE SPECIFIED
DIMENSIONS ARE IN U.S. INCHES.
X.XX = .015 X.XXXX = .001
X.XXX = .010 X.X" = 1°

NEW AGE ENCLOSURES

Customer's Part No: 542713

APPROVAL BY DATE

CHECK

ENG.

SCALE AS NOTED

DRAWN BY M BOYER 09-Oct-12

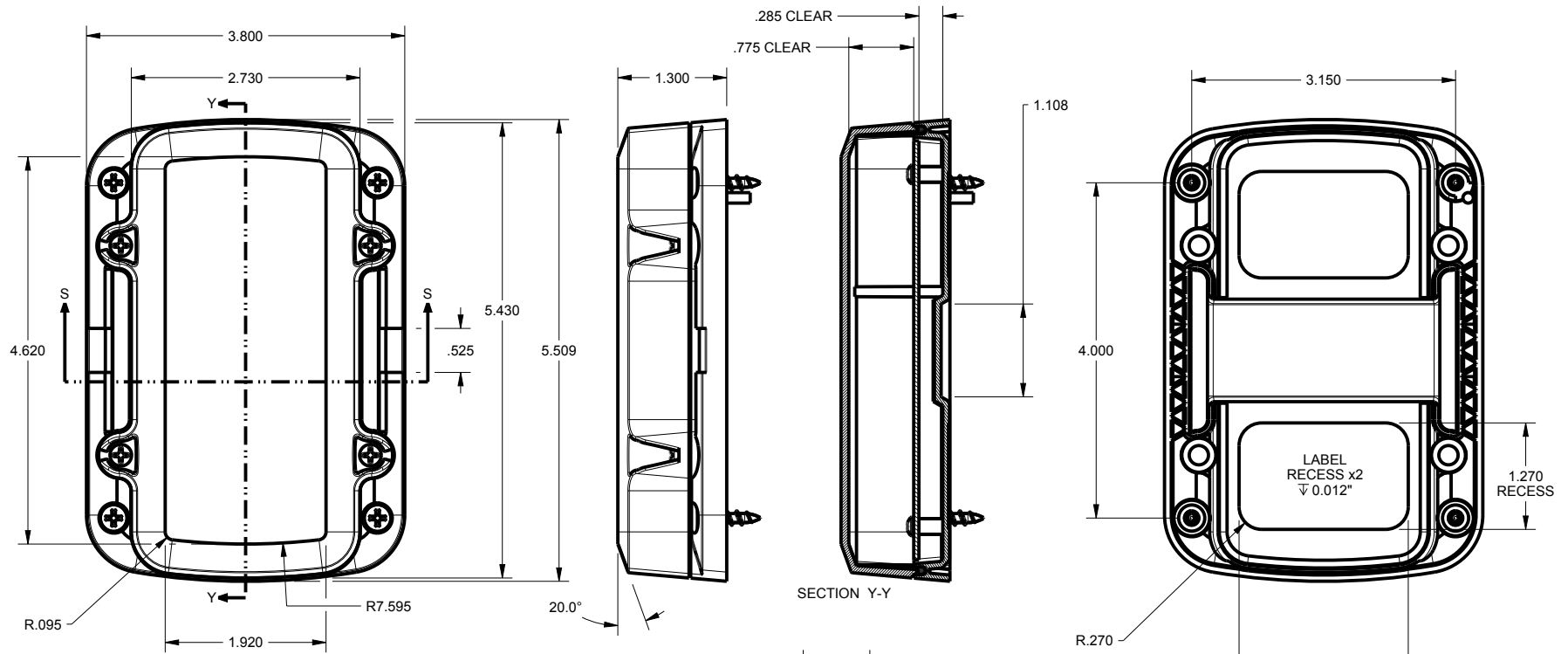
NEW AGE ENCLOSURES

4330 Santa Fe Road San Luis Obispo, CA. 93401
ph. (805) 595-1310 fax (805) 595-1024
www.newageenclosures.com

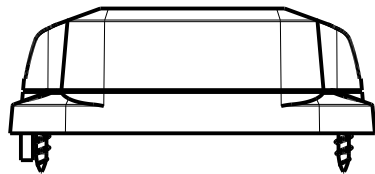
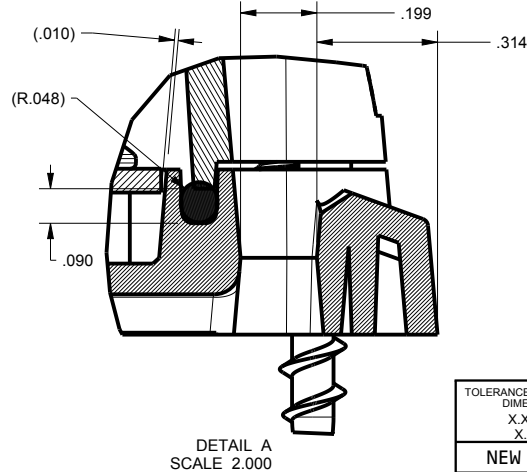
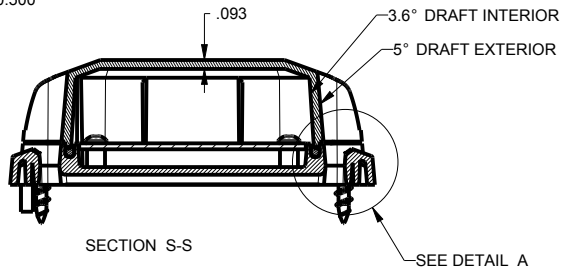
**WATER RESISTANT UTILITY
SXL-542713-XXX**

SIZE A DRAWING NAME 542713_R2_1 SHEET 1 OF 7 REV.DOC 2.1

542713 ASSEMBLY



SCALE 0.500



TOLERANCES: UNLESS OTHERWISE SPECIFIED DIMENSIONS ARE IN U.S. INCHES.

X.XX = .015 X.XXXX = .001
X.XXX = .010 X.X° = 1°

NEW AGE ENCLOSURES

Customer's Part No: 542713

APPROVAL	BY	DATE
CHECK		
ENG.		
SCALE	AS NOTED	

DRAWN BY
M BOYER
09-Oct-12

NEW AGE ENCLOSURES

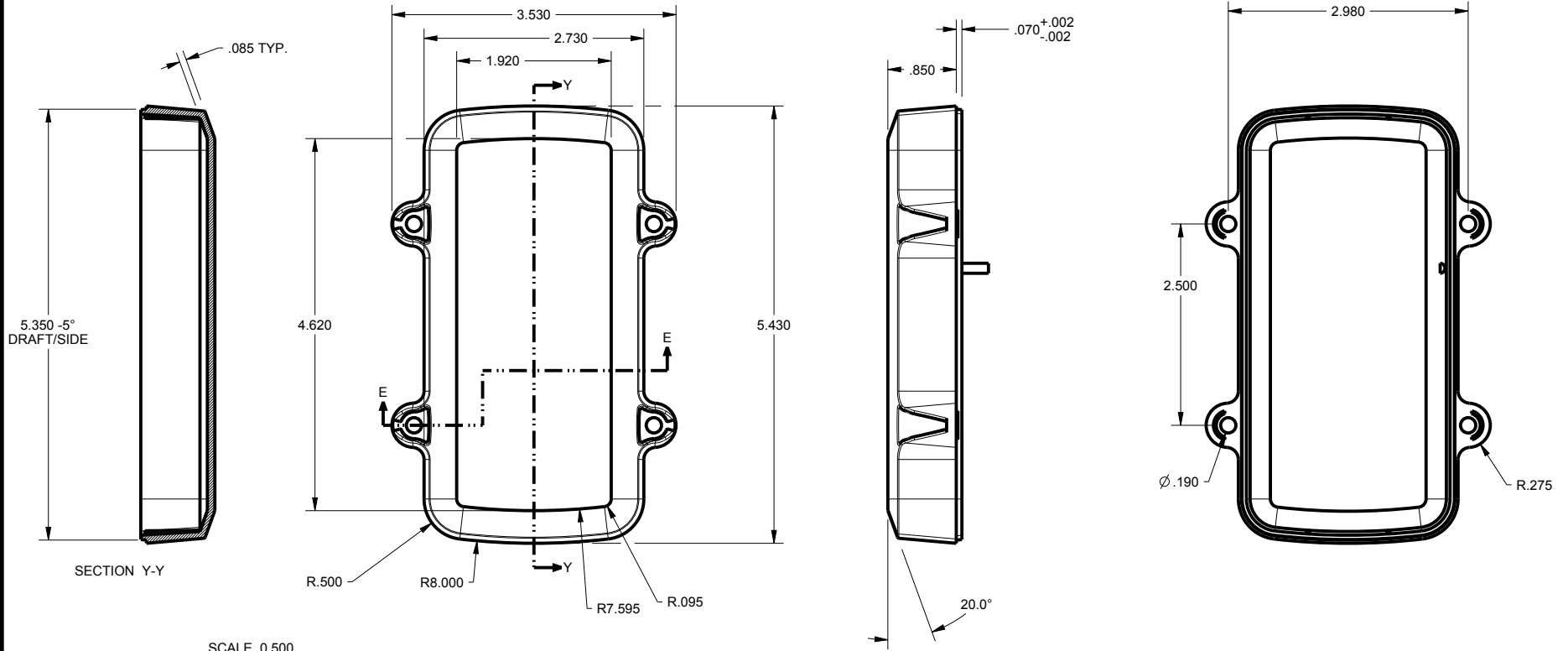
4330 Santa Fe Road San Luis Obispo, CA. 93401
ph. (805) 595-1310 fax (805) 595-1024
www.newageenclosures.com

**WATER RESISTANT UTILITY
SXL-542713-XXX**

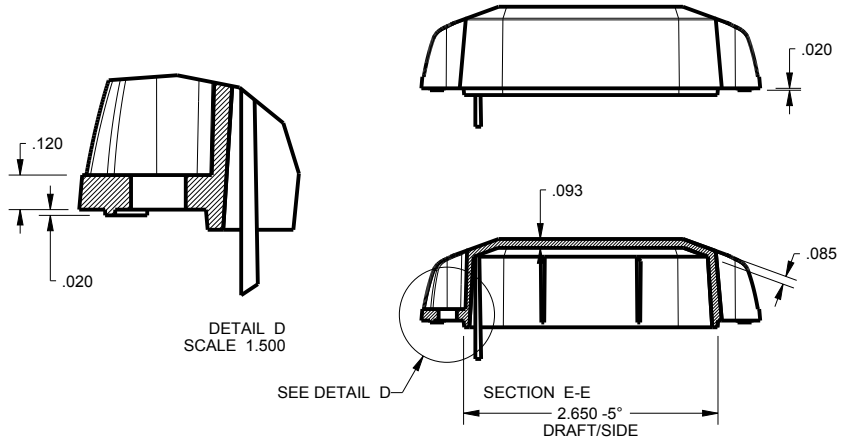
SIZE A
DRAWING NAME
542713_R2_1

SHEET 2 OF 7
REV.DOC 2.1

542713 COVER



SCALE 0.500



DETAIL D
SCALE 1.500

SEE DETAIL D

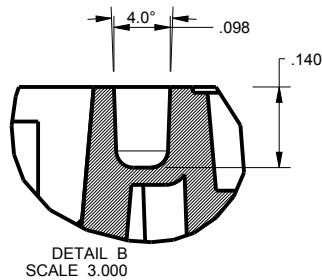
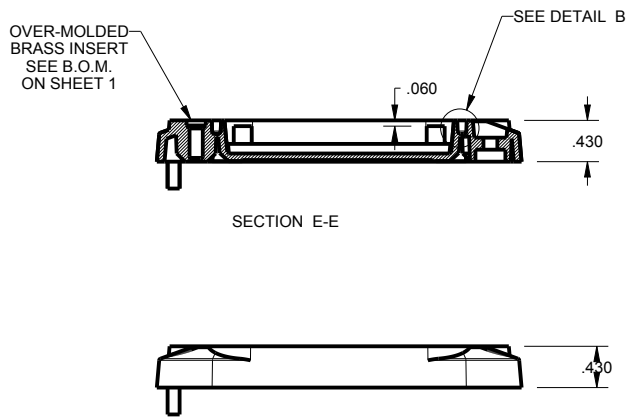
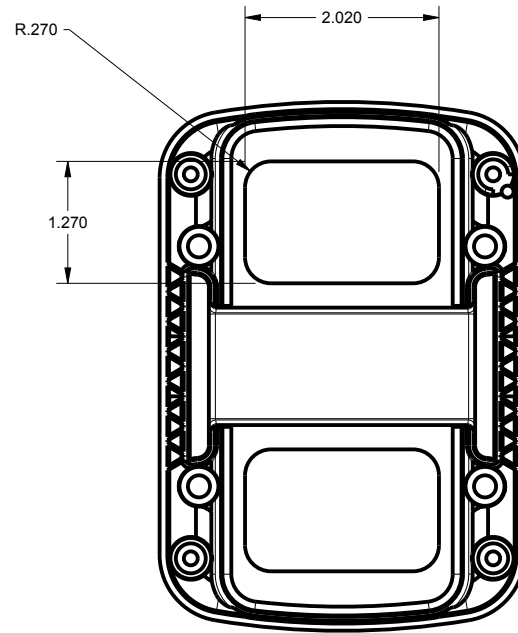
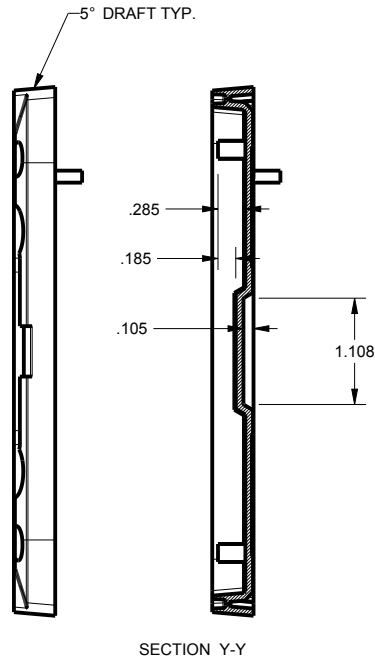
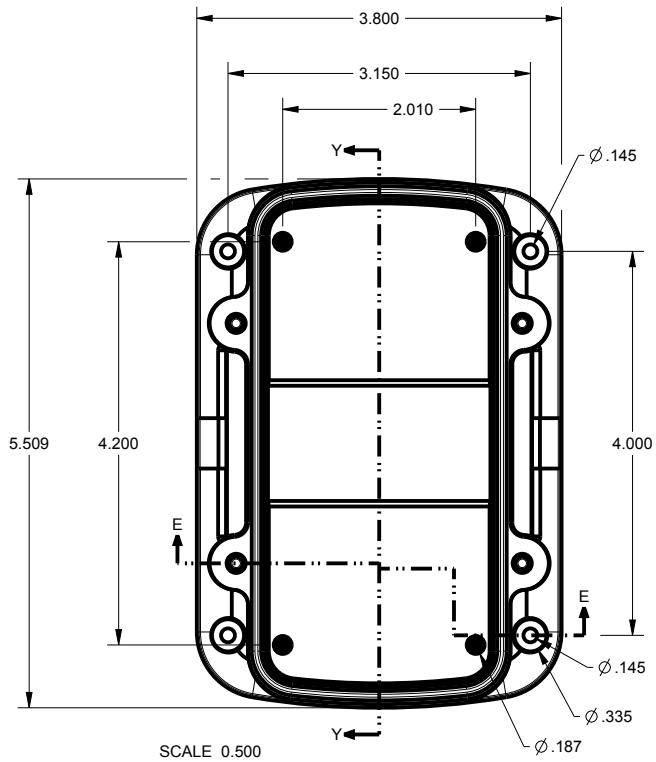
TOLERANCES: UNLESS OTHERWISE SPECIFIED DIMENSIONS ARE IN U.S. INCHES.	
X.XX = .015 X.XXXX = .001	
X.XXX = .010 X.X° = 1°	
NEW AGE ENCLOSURES	
Customer's Part No: 542713	
APPROVAL	BY DATE
CHECK	
ENG.	
SCALE	AS NOTED
DRAWN BY	09-Oct-12
M BOYER	

NEW AGE ENCLOSURES
 4330 Santa Fe Road San Luis Obispo, CA. 93401
 ph. (805) 595-1310 fax (805) 595-1024
www.newageenclosures.com

**WATER RESISTANT UTILITY
 SXL-542713-XXX**

SIZE	DRAWING NAME	SHEET	REV.DOC
A	542713_R2_1	3 OF 7	2.1

542713 WALL BASE



TOLERANCES: UNLESS OTHERWISE SPECIFIED DIMENSIONS ARE IN U.S. INCHES.

X.XX = .015 X.XXXX = .001
X.XXX = .010 X.X° = 1°

NEW AGE ENCLOSURES
Customer's Part No: 542713

APPROVAL	BY	DATE
CHECK		
ENG.		
SCALE	AS NOTED	

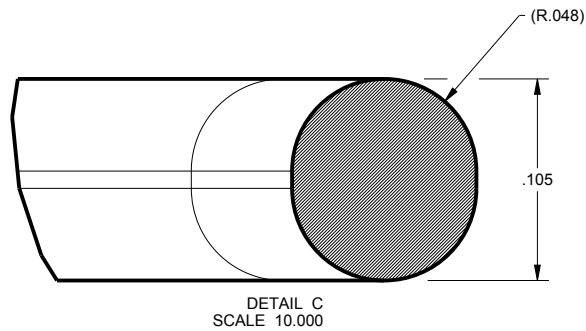
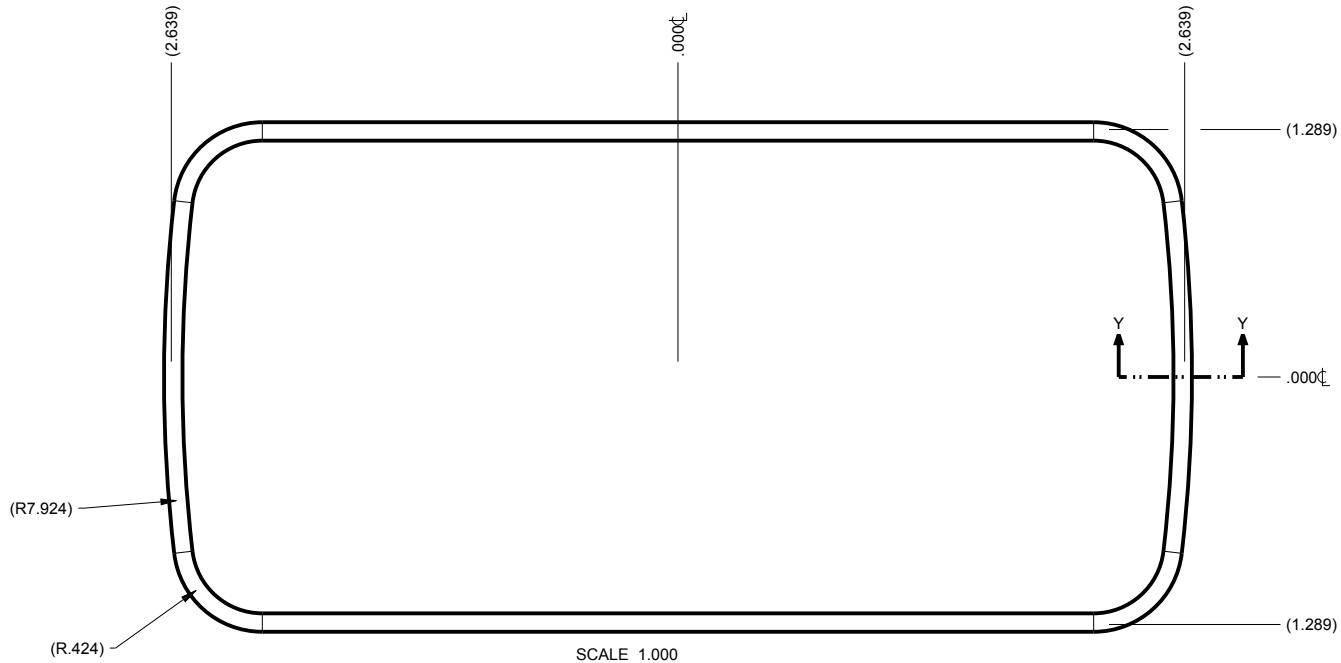
DRAWN BY
M BOYER 09-Oct-12

NEW AGE ENCLOSURES
4330 Santa Fe Road San Luis Obispo, CA. 93401
ph. (805) 595-1310 fax (805) 595-1024
www.newageenclosures.com

**WATER RESISTANT UTILITY
SXL-542713-XXX**

SIZE A	DRAWING NAME 542713_R2_1	SHEET 4 OF 7	REV.DOC 2.1
-----------	-----------------------------	-----------------	----------------

542713 O-RING



TOLERANCES: UNLESS OTHERWISE SPECIFIED DIMENSIONS ARE IN U.S. INCHES.	
X.XX = .015 X.XXXX = .001	
X.XXX = .010 X.X° = 1°	
NEW AGE ENCLOSURES	
Customer's Part No: 542713	
APPROVAL	BY DATE
CHECK	
ENG.	
SCALE	AS NOTED
DRAWN BY	09-Oct-12
M BOYER	

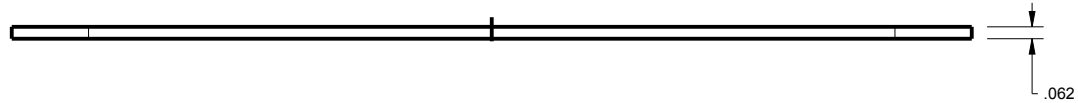
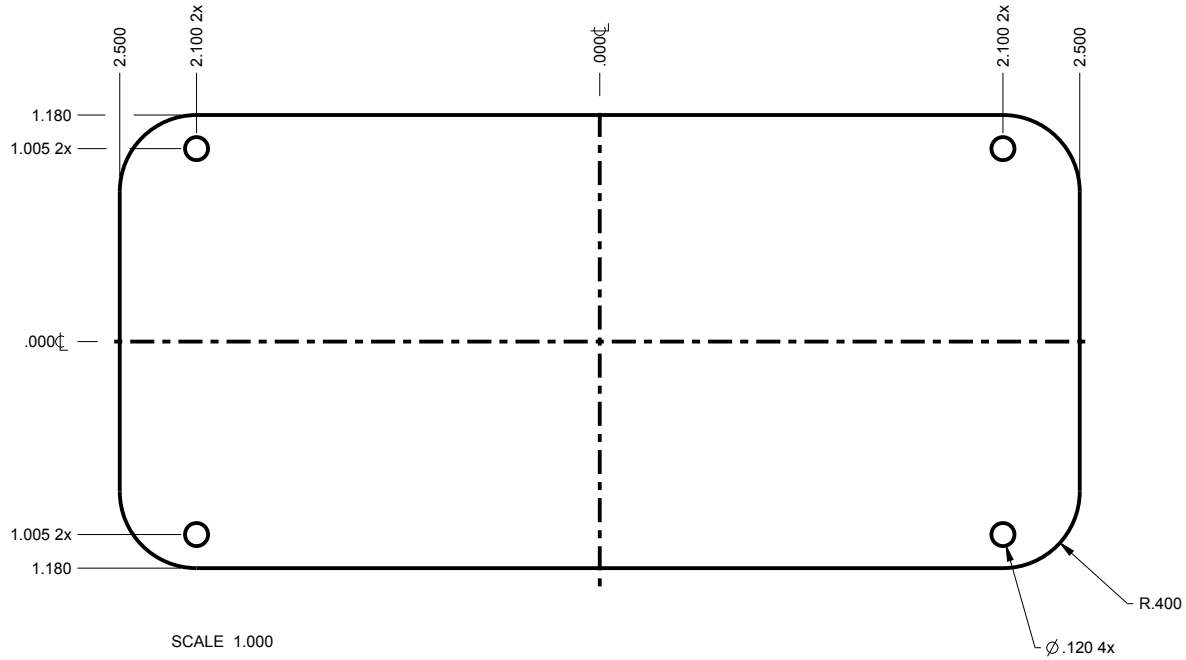
NEW AGE ENCLOSURES
 4330 Santa Fe Road San Luis Obispo, CA. 93401
 ph. (805) 595-1310 fax (805) 595-1024
www.newageenclosures.com

**WATER RESISTANT UTILITY
 SXL-542713-XXX**

SIZE	DRAWING NAME	SHEET	REV.DOC
A	542713_R2_1	5 OF 7	2.1

542713 PCB - CUSTOMER SUPPLIED

PCB SIZES ARE RECOMMENDATIONS ONLY. FINAL SIZES AND VERIFICATION OF IT'S FIT ARE THE SOLE RESPONSIBILITY OF THE OEM.



TOLERANCES: UNLESS OTHERWISE SPECIFIED
DIMENSIONS ARE IN U.S. INCHES.
X.XX = .015 X.XXXX = .001
X.XXX = .010 X.X° = 1°

NEW AGE ENCLOSURES

Customer's Part No: 542713

APPROVAL BY DATE

CHECK

ENG.

SCALE AS NOTED

DRAWN BY M BOYER 09-Oct-12

NEW AGE ENCLOSURES

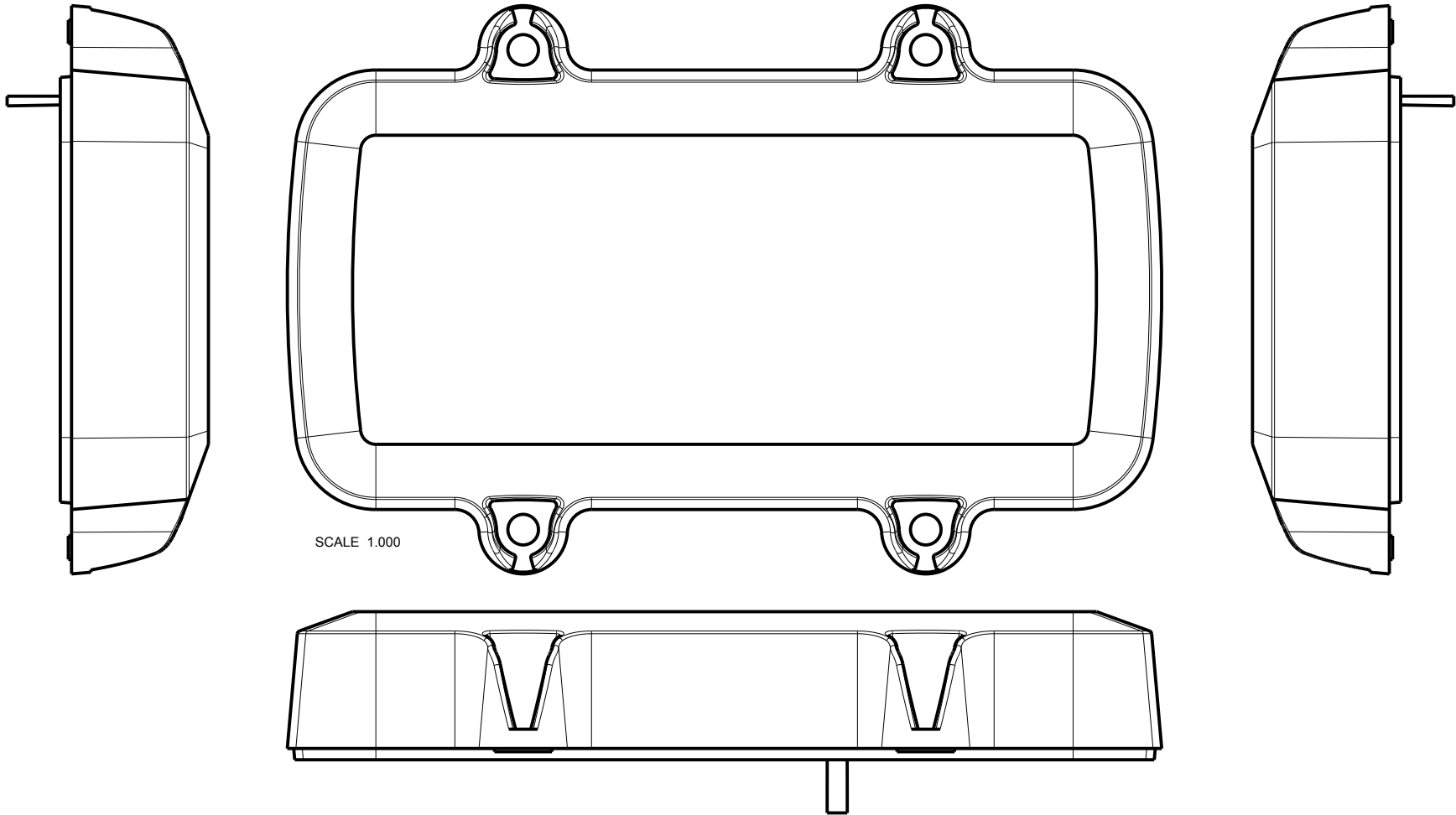
4330 Santa Fe Road San Luis Obispo, CA. 93401
ph. (805) 595-1310 fax (805) 595-1024
www.newageenclosures.com

**WATER RESISTANT UTILITY
SXL-542713-XXX**

SIZE A DRAWING NAME 542713_R2_1

SHEET 6 OF 7 REV.DOC 2.1

542713 - 2nd OPERATION DETAILS
 NEW AGE ENCLOSURES DELIVERS YOUR ENCLOSURE MARKET-READY WITH IN-HOUSE
 CNC MACHINING, PAD PRINTING, ASSEMBLY, AND FULFILLMENT.
 ALL SURFACES AND AREAS ARE AVAILABLE FOR CNC ALTERATION BY NEW AGE ENCLOSURES
 CALL (805) 595-1310 FOR PRICING AND SCHEDULE.
 THE INSIDE RADIUS OF ANY MACHINED FEATURES SHOULD BE NO SMALLER THAN .031"



SCALE 1.000

SXL-542712-XXX COVER - ASA, BLACK

STEP NO	DESCRIPTION	CUTTER	FIXTURE	ORIENTATION	PROGRAM
1	-	T2 = .062" EM	-	-	-
2	-	T2 = .062" EM	-	-	-
3	-	T2 = .062" EM	-	-	-

SXL-542712-XXX COVER - ASA, BLACK

STEP NO	DESCRIPTION	INK COLOR	CLICHE DESCRIPTION	CLICHE No.
4	PAD PRINT	-	-	-

TOLERANCES: UNLESS OTHERWISE SPECIFIED
 DIMENSIONS ARE IN U.S. INCHES.
 X.XX = .015 X.XXXX = .001
 X.XXX = .010 X.X° = 1°

NEW AGE ENCLOSURES

Customer's Part No: 542713

APPROVAL BY DATE

CHECK ENG. SCALE AS NOTED

DRAWN BY M BOYER 09-Oct-12

NEW AGE ENCLOSURES

4330 Santa Fe Road San Luis Obispo, CA. 93401
 ph. (805) 595-1310 fax (805) 595-1024
www.newageenclosures.com

**WATER RESISTANT UTILITY
 SXL-542713-XXX**

SIZE A DRAWING NAME 542713_R2_1 SHEET 7 OF 7 REV.DOC 2.1

Mouser Electronics

Authorized Distributor

Click to View Pricing, Inventory, Delivery & Lifecycle Information:

[New Age Enclosures:](#)

[S6L-542713](#) [S-542713-OR](#)

Компания «Life Electronics» занимается поставками электронных компонентов импортного и отечественного производства от производителей и со складов крупных дистрибьюторов Европы, Америки и Азии.

С конца 2013 года компания активно расширяет линейку поставок компонентов по направлению коаксиальный кабель, кварцевые генераторы и конденсаторы (керамические, пленочные, электролитические), за счёт заключения дистрибьюторских договоров

Мы предлагаем:

- Конкуренеспособные цены и скидки постоянным клиентам.
- Специальные условия для постоянных клиентов.
- Подбор аналогов.
- Поставку компонентов в любых объемах, удовлетворяющих вашим потребностям.
- Приемлемые сроки поставки, возможна ускоренная поставка.
- Доставку товара в любую точку России и стран СНГ.
- Комплексную поставку.
- Работу по проектам и поставку образцов.
- Формирование склада под заказчика.
- Сертификаты соответствия на поставляемую продукцию (по желанию клиента).
- Тестирование поставляемой продукции.
- Поставку компонентов, требующих военную и космическую приемку.
- Входной контроль качества.
- Наличие сертификата ISO.

В составе нашей компании организован Конструкторский отдел, призванный помогать разработчикам, и инженерам.

Конструкторский отдел помогает осуществить:

- Регистрацию проекта у производителя компонентов.
- Техническую поддержку проекта.
- Защиту от снятия компонента с производства.
- Оценку стоимости проекта по компонентам.
- Изготовление тестовой платы монтаж и пусконаладочные работы.



Тел: +7 (812) 336 43 04 (многоканальный)

Email: org@lifeelectronics.ru