

74HC4852; 74HCT4852

Dual 4-channel analog multiplexer/demultiplexer with injection-current effect control

Rev. 4 — 28 April 2020

Product data sheet

1. General description

The 74HC4852; 74HCT4852 are dual single-pole quad-throw analog switches (SP4T) suitable for use in analog or digital 4:1 multiplexer/demultiplexer applications. Each switch features four independent inputs/outputs (nY0, nY1, nY2 and nY3) and a common input/output (nZ). A digital enable input (\bar{E}) and two digital select inputs (S0 & S1) are common to both switches. When \bar{E} is HIGH, the switches are turned off. The device features injection-current effect control. This allows signals at disabled analog input channels to exceed the supply voltage without affecting the signal of the enabled analog channel, eliminating the need for external diode/resistor networks typically used to keep the analog channel signals within the supply-voltage range. Inputs include clamp diodes. This enables the use of current limiting resistors to interface inputs to voltages in excess of V_{CC} .

2. Features

- Injection-current cross coupling < 1 mV/mA
- Wide supply voltage range from 2.0 V to 6.0 V for 74HC4852
- ESD protection:
 - HBM JESD22-A114E exceeds 2000 V
 - CDM JESD22-C101C exceeds 1000 V
- Latch-up performance exceeds 100 mA per JESD 78 Class II level A
- Low ON-state resistance:
 - 400 Ω (typical) at $V_{CC} = 2.0$ V
 - 215 Ω (typical) at $V_{CC} = 3.0$ V
 - 120 Ω (typical) at $V_{CC} = 3.3$ V
 - 76 Ω (typical) at $V_{CC} = 4.5$ V
 - 59 Ω (typical) at $V_{CC} = 6.0$ V

3. Applications

- Analog multiplexing and demultiplexing
- Digital multiplexing and demultiplexing
- Signal gating

4. Ordering information

Table 1. Ordering information

Type number	Package			Version
	Temperature range	Name	Description	
74HC4852D 74HCT4852D	-40 °C to +125 °C	SO16	plastic small outline package; 16 leads; body width 3.9 mm	SOT109-1
74HC4852PW 74HCT4852PW	-40 °C to +125 °C	TSSOP16	plastic thin shrink small outline package; 16 leads; body width 4.4 mm	SOT403-1
74HC4852BQ 74HCT4852BQ	-40 °C to +125 °C	DHVQFN16	plastic dual in-line compatible thermal enhanced very thin quad flat package; no leads; 16 terminals; body 2.5 × 3.5 × 0.85 mm	SOT763-1

5. Functional diagram



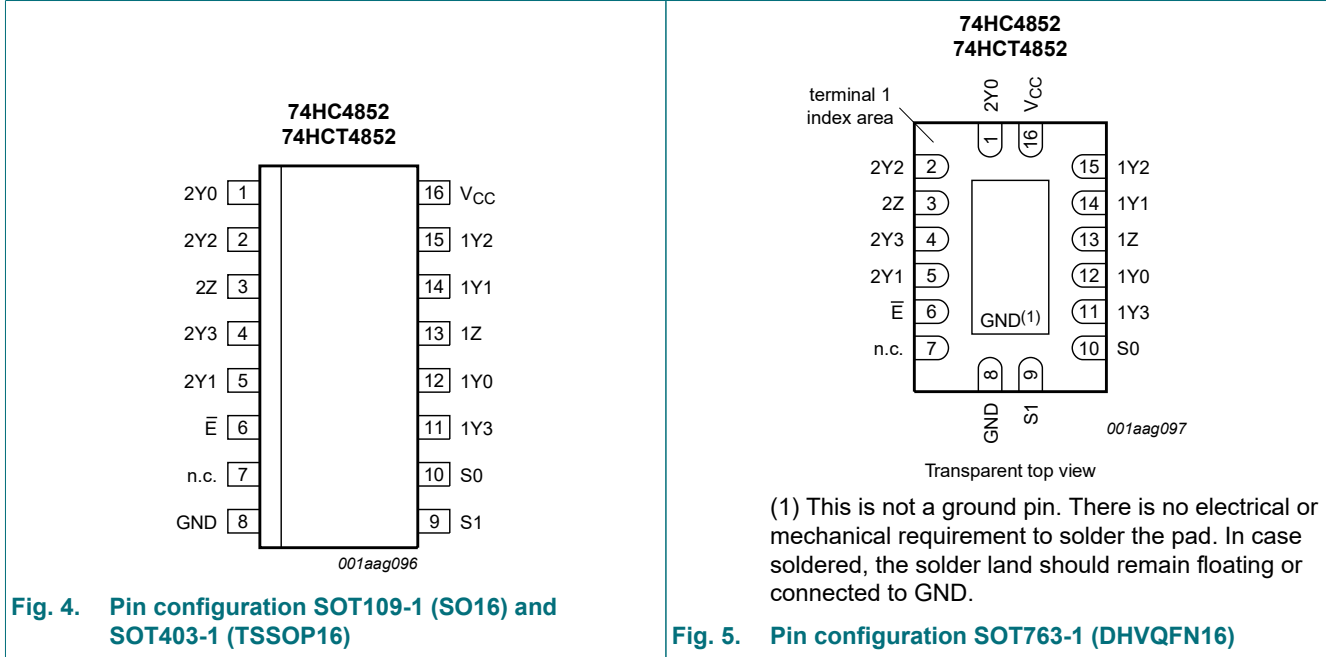
Dual 4-channel analog multiplexer/demultiplexer with injection-current effect control



Fig. 3. Functional diagram

6. Pinning information

6.1. Pinning



6.2. Pin description

Table 2. Pin description

Symbol	Pin	Description
2Y0	1	independent input/output
2Y2	2	independent input/output
2Z	3	common input/output
2Y3	4	independent input/output
2Y1	5	independent input/output
\bar{E}	6	enable input (active LOW)
n.c.	7	not connected
GND	8	ground (0 V)
S1	9	select input
S0	10	select input
1Y3	11	independent input/output
1Y0	12	independent input/output
1Z	13	common input/output
1Y1	14	independent input/output
1Y2	15	independent input/output
V _{CC}	16	supply voltage

7. Functional description

Table 3. Function table

H = HIGH voltage level; L = LOW voltage level; X = don't care.

Input			Channel ON
E	S1	S0	
L	L	L	nY0 to nZ
L	L	H	nY1 to nZ
L	H	L	nY2 to nZ
L	H	H	nY3 to nZ
H	X	X	-

8. Limiting values

Table 4. Limiting values

In accordance with the Absolute Maximum Rating System (IEC 60134). Voltages are referenced to GND (ground = 0 V).

Symbol	Parameter	Conditions	Min	Max	Unit
V_{CC}	supply voltage		-0.5	+7.0	V
V_I	input voltage	[1]	-0.5	$V_{CC} + 0.5$	V
V_{SW}	switch voltage	[2]	-0.5	$V_{CC} + 0.5$	V
I_{IK}	input clamping current	$V_I < -0.5$ V or $V_I > V_{CC} + 0.5$ V	-	± 20	mA
I_{SK}	switch clamping current	$V_{SW} < -0.5$ V or $V_{SW} > V_{CC} + 0.5$ V	-	± 20	mA
I_{SW}	switch current	$V_{SW} > -0.5$ V or $V_{SW} < V_{CC} + 0.5$ V	-	± 25	mA
I_{CC}	supply current		-	50	mA
I_{GND}	ground current		-50	-	mA
T_{stg}	storage temperature		-65	+150	°C
P_{tot}	total power dissipation	$T_{amb} = -40$ °C to +125 °C [3]	-	500	mW

- [1] The minimum and maximum input voltage rating may be exceeded if the input clamping current rating is observed.
 [2] The minimum and maximum switch voltage rating may be exceeded if the switch clamping current rating is observed.
 [3] For SOT109-1 (SO16) package: P_{tot} derates linearly with 12.4 mW/K above 110 °C.
 For SOT403-1 (TSSOP16) package: P_{tot} derates linearly with 8.5 mW/K above 91 °C.
 For SOT763-1 (DHVQFN16) package: P_{tot} derates linearly with 11.2 mW/K above 106 °C.

9. Recommended operating conditions

Table 5. Recommended operating conditions

Symbol	Parameter	Conditions	74HC4852			74HCT4852			Unit
			Min	Typ	Max	Min	Typ	Max	
V _{CC}	supply voltage		2.0	-	6.0	4.5	5.0	5.5	V
V _I	input voltage		0	-	V _{CC}	0	-	V _{CC}	V
V _{SW}	switch voltage		0	-	V _{CC}	0	-	V _{CC}	V
T _{amb}	ambient temperature		-40	-	+125	-40	-	+125	°C
Δt/ΔV	input transition rise and fall rate	V _{CC} = 2.0 V	-	6.0	1 000	-	-	-	ns/V
		V _{CC} = 3.0 V	-	6.0	800	-	-	-	ns/V
		V _{CC} = 3.3 V	-	6.0	800	-	-	-	ns/V
		V _{CC} = 4.5 V	-	6.0	500	-	6.0	500	ns/V
		V _{CC} = 6.0 V	-	6.0	400	-	-	-	ns/V

10. Static characteristics

Table 6. R_{ON} resistance

At recommended operating conditions; voltages are referenced to GND (ground 0 V); For test circuit see Fig. 8.

Symbol	Parameter	Conditions	25 °C			-40 °C to +85 °C		-40 °C to +125 °C		Unit
			Min	Typ	Max	Min	Max	Min	Max	
74HC4852										
R _{ON(peak)}	ON resistance (peak)	V _I = V _{CC} to GND; \bar{E} = V _{IL}								
		V _{CC} = 2.0 V; I _{SW} = 2 mA	-	400	650	-	670	-	700	Ω
		V _{CC} = 3.0 V; I _{SW} ≤ 2 mA	-	215	330	-	360	-	380	Ω
		V _{CC} = 3.3 V; I _{SW} ≤ 2 mA	-	120	270	-	305	-	345	Ω
		V _{CC} = 4.5 V; I _{SW} ≤ 2 mA	-	76	210	-	240	-	270	Ω
		V _{CC} = 6.0 V; I _{SW} ≤ 2 mA	-	59	195	-	220	-	250	Ω
ΔR _{ON}	ON resistance mismatch between channels	V _I = 0.5 x V _{CC} ; \bar{E} = V _{IL}								
		V _{CC} = 2.0 V; I _{SW} = 2 mA	-	4	10	-	15	-	20	Ω
		V _{CC} = 3.0 V; I _{SW} ≤ 2 mA	-	2	8	-	12	-	16	Ω
		V _{CC} = 3.3 V; I _{SW} ≤ 2 mA	-	2	8	-	12	-	16	Ω
		V _{CC} = 4.5 V; I _{SW} ≤ 2 mA	-	2	8	-	12	-	16	Ω
		V _{CC} = 6.0 V; I _{SW} ≤ 2 mA	-	3	9	-	13	-	18	Ω
74HCT4852										
R _{ON(peak)}	ON resistance (peak)	V _I = V _{CC} to GND; \bar{E} = V _{IL}								
		V _{CC} = 4.5 V; I _{SW} ≤ 2 mA	-	76	210	-	240	-	270	Ω
ΔR _{ON}	ON resistance mismatch between channels	V _I = 0.5 x V _{CC} ; \bar{E} = V _{IL}								
		V _{CC} = 4.5 V; I _{SW} ≤ 2 mA	-	2	8	-	12	-	16	Ω

Dual 4-channel analog multiplexer/demultiplexer with injection-current effect control

Table 7. Injection current coupling

At recommended operating conditions; voltages are referenced to GND (ground 0 V); For test circuit see Fig. 9.

Symbol	Parameter	Conditions	74HC4852			74HCT4852			Unit
			Min	Typ[1]	Max	Min	Typ[1]	Max	
T_{amb} = -40 °C to +125 °C									
ΔV _O	output voltage variation	I _{SW} ≤ 1 mA; R _S ≤ 3.9 kΩ [2][3]							
		V _{CC} = 3.3 V	-	0.05	1	-	-	-	mV
		V _{CC} = 5.0 V	-	0.03	1	-	0.03	1	mV
		I _{SW} ≤ 10 mA; R _S ≤ 3.9 kΩ							
		V _{CC} = 3.3 V	-	0.55	5	-	-	-	mV
		V _{CC} = 5.0 V	-	0.27	5	-	0.27	5	mV
		I _{SW} ≤ 1 mA; R _S ≤ 20 kΩ							
		V _{CC} = 3.3 V	-	0.04	2	-	-	-	mV
		V _{CC} = 5.0 V	-	0.03	2	-	0.03	2	mV
		I _{SW} ≤ 10 mA; R _S ≤ 20 kΩ							
		V _{CC} = 3.3 V	-	0.56	20	-	-	-	mV
V _{CC} = 5.0 V	-	0.48	20	-	0.48	20	mV		

[1] Typical values are measured at T_{amb} = 25 °C.

[2] ΔV_O here is the maximum variation of output voltage of an enabled analog channel when current is injected into any disabled channel.

[3] I_{SW} = total current injected into all disabled channels.

Table 8. Static characteristics

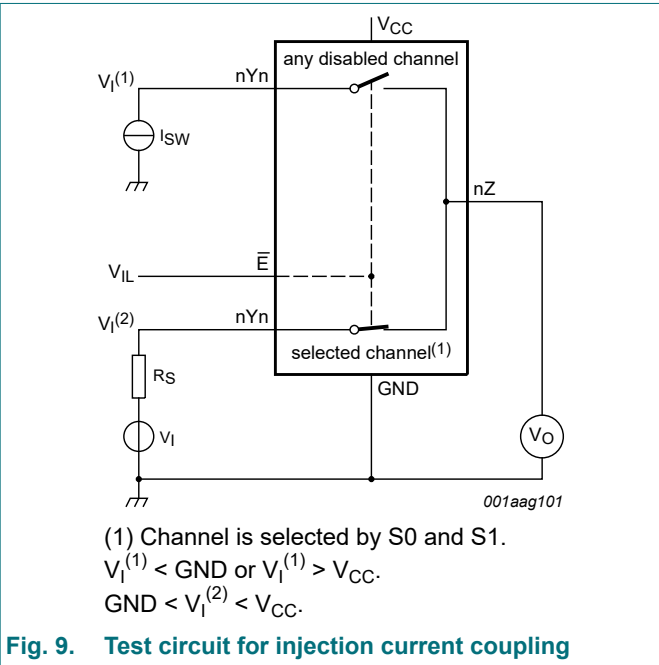
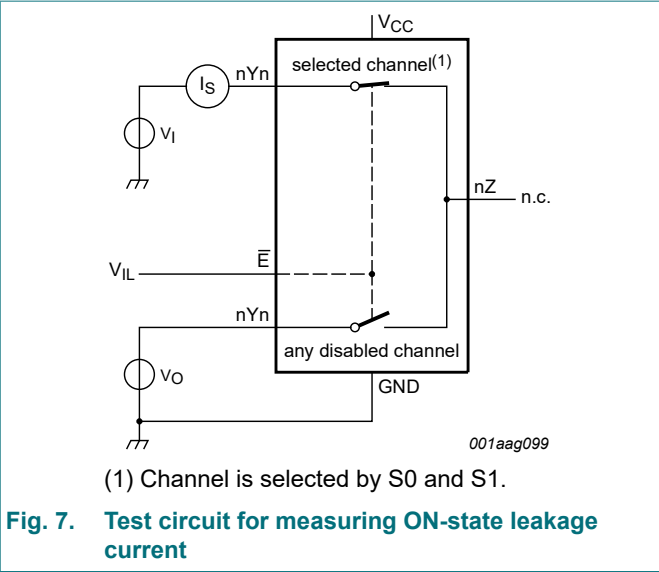
At recommended operating conditions; voltages are referenced to GND (ground 0 V).

Symbol	Parameter	Conditions	25 °C			-40 °C to +85 °C		-40 °C to +125 °C		Unit
			Min	Typ	Max	Min	Max	Min	Max	
74HC4852										
V _{IH}	HIGH-level input voltage	control inputs								
		V _{CC} = 2.0 V	1.5	-	-	1.5	-	1.5	-	V
		V _{CC} = 3.0 V	2.1	-	-	2.1	-	2.1	-	V
		V _{CC} = 3.3 V	2.3	-	-	2.3	-	2.3	-	V
		V _{CC} = 4.5 V	3.15	-	-	3.15	-	3.15	-	V
V _{IL}	LOW-level input voltage	control inputs								
		V _{CC} = 2.0 V	-	-	0.5	-	0.5	-	0.5	V
		V _{CC} = 3.0 V	-	-	0.9	-	0.9	-	0.9	V
		V _{CC} = 3.3 V	-	-	1.0	-	1.0	-	1.0	V
		V _{CC} = 4.5 V	-	-	1.35	-	1.35	-	1.35	V
I _I	input leakage current	control inputs; V _I = GND or V _{CC}								
		V _{CC} = 6.0 V	-	-	±0.1	-	±0.1	-	±1.0	μA
I _{S(OFF)}	OFF-state leakage current	$\bar{E} = V_{IH}$; V _I = GND or V _{CC} ; V _O = V _{CC} or GND; V _{CC} = 6.0 V; see Fig. 6								
		nY _n ; per channel	-	-	±0.1	-	±0.5	-	±1.0	μA
		nZ; all channels	-	-	±0.2	-	±2.0	-	±4.0	μA

Dual 4-channel analog multiplexer/demultiplexer with injection-current effect control

Symbol	Parameter	Conditions	25 °C			-40 °C to +85 °C		-40 °C to +125 °C		Unit
			Min	Typ	Max	Min	Max	Min	Max	
$I_{S(ON)}$	ON-state leakage current	$\bar{E} = V_{IL}$; $V_I = GND$ or V_{CC} ; $V_O = V_{CC}$ or GND ; $V_{CC} = 6.0 V$; see Fig. 7	-	-	± 0.1	-	± 0.5	-	± 1.0	μA
I_{CC}	supply current	$V_I = GND$ or V_{CC} $V_{CC} = 6.0 V$	-	-	2.0	-	5.0	-	20.0	μA
C_I	input capacitance	S0, S1, S2 and \bar{E}	-	2	10	-	10	-	10	pF
C_{sw}	switch capacitance	nZ; OFF-state	-	15	40	-	40	-	40	pF
		nYn; OFF-state	-	3	15	-	15	-	15	pF
74HCT4852										
V_{IH}	HIGH-level input voltage	control inputs								
		$V_{CC} = 4.5 V$ to $5.5 V$	2.0	-	-	2.0	-	2.0	-	V
V_{IL}	LOW-level input voltage	control inputs								
		$V_{CC} = 4.5 V$ to $5.5 V$	-	-	0.8	-	0.8	-	0.8	V
I_I	input leakage current	control inputs; $V_I = GND$ or V_{CC}								
		$V_{CC} = 5.5 V$	-	-	± 0.1	-	± 0.1	-	± 1.0	μA
$I_{S(OFF)}$	OFF-state leakage current	$\bar{E} = V_{IH}$; $V_I = GND$ or V_{CC} ; $V_O = V_{CC}$ or GND ; $V_{CC} = 5.5 V$; see Fig. 6								
		per channel	-	-	± 0.1	-	± 0.5	-	± 1.0	μA
		all channels	-	-	± 0.2	-	± 2.0	-	± 4.0	μA
$I_{S(ON)}$	ON-state leakage current	$\bar{E} = V_{IL}$; $V_I = GND$ or V_{CC} ; $V_O = V_{CC}$ or GND ; $V_{CC} = 5.5 V$; see Fig. 7	-	-	± 0.1	-	± 0.5	-	± 1.0	μA
I_{CC}	supply current	$V_I = GND$ or V_{CC}								
		$V_{CC} = 5.5 V$	-	-	2.0	-	5.0	-	20.0	μA
ΔI_{CC}	additional supply current	control inputs; $V_I = V_{CC} - 2.1 V$; other inputs at V_{CC} or GND ; $V_{CC} = 4.5 V$ to $5.5 V$; $I_O = 0 A$	-	-	300	-	370	-	370	μA
C_I	input capacitance	S0, S1, S2 and \bar{E}	-	2	10	-	10	-	10	pF
C_{sw}	switch capacitance	nZ; OFF-state	-	9	40	-	40	-	40	pF
		nYn; OFF-state	-	3	15	-	15	-	15	pF

Dual 4-channel analog multiplexer/demultiplexer with injection-current effect control



11. Dynamic characteristics

Table 9. Dynamic characteristics

At recommended operating conditions; voltages are referenced to GND (ground 0 V); for test circuit see Fig. 14.

Symbol	Parameter	Conditions	25 °C			-40 °C to +85 °C		-40 °C to +125 °C		Unit
			Min	Typ	Max	Min	Max	Min	Max	
74HC4852										
t_{pd}	propagation delay	nZ, nYn to nYn, nZ; see Fig. 10 [1]								
		$V_{CC} = 2.0\text{ V}$	2.2	9.3	33	2.2	34	2.2	35	ns
		$V_{CC} = 3.0\text{ V}$	2.2	4.9	16.5	1.9	18	1.9	19.5	ns
		$V_{CC} = 3.3\text{ V}$	2.0	4.4	15.0	1.6	16.5	1.6	18.5	ns
		$V_{CC} = 4.5\text{ V}$	1.6	3.2	11.6	1.1	12.5	1.1	13.5	ns
		$V_{CC} = 6.0\text{ V}$	1.5	2.5	10.2	0.9	11	0.9	12	ns
		Sn to nZ, nYn; see Fig. 11 [1]								
		$V_{CC} = 2.0\text{ V}$	7.7	16.8	38	6.3	40	6.3	42	ns
		$V_{CC} = 3.0\text{ V}$	4.9	8.8	20	3.9	21.5	3.9	23	ns
		$V_{CC} = 3.3\text{ V}$	4.4	7.9	17.5	3.4	19	3.4	22	ns
		$V_{CC} = 4.5\text{ V}$	3.2	5.8	14	2.3	15	2.3	17	ns
		$V_{CC} = 6.0\text{ V}$	2.4	4.8	12.6	1.6	14.5	1.6	16.5	ns
t_{en}	enable time	\bar{E} to nZ, nYn; see Fig. 12 [2]								
		$V_{CC} = 2.0\text{ V}$	10.5	20.5	47.5	8.5	52.5	8.5	57.5	ns
		$V_{CC} = 3.0\text{ V}$	6.2	10.6	45	5.2	50	5.2	55	ns
		$V_{CC} = 3.3\text{ V}$	5.6	9.4	42.5	4.6	47.5	4.6	52.5	ns
		$V_{CC} = 4.5\text{ V}$	4.2	6.9	40	3	45	3	50	ns
		$V_{CC} = 6.0\text{ V}$	3.2	5.6	39	2.2	40	2.2	40	ns
t_{dis}	disable time	\bar{E} to nZ, nYn; see Fig. 12 [3]								
		$V_{CC} = 2.0\text{ V}$	39.5	75.4	100	39.3	105	39	115	ns
		$V_{CC} = 3.0\text{ V}$	35.2	69.5	90	35.5	100	35	110	ns
		$V_{CC} = 3.3\text{ V}$	34.6	68.1	85	34.6	95	34.5	105	ns
		$V_{CC} = 4.5\text{ V}$	28.5	63	80	28.2	90	28	100	ns
		$V_{CC} = 6.0\text{ V}$	14.4	57.9	78	13.5	80	13.0	80	ns
C_{PD}	power dissipation capacitance	per channel; see Fig. 13 [4]								
		$V_{CC} = 3.3\text{ V}$	-	42	-	-	-	-	-	pF
		$V_{CC} = 5.0\text{ V}$	-	47	-	-	-	-	-	pF

Dual 4-channel analog multiplexer/demultiplexer with injection-current effect control

Symbol	Parameter	Conditions	25 °C			-40 °C to +85 °C		-40 °C to +125 °C		Unit
			Min	Typ	Max	Min	Max	Min	Max	
74HCT4852										
t _{pd}	propagation delay	nZ, nYn to nYn, nZ; see Fig. 10 [1]								
		V _{CC} = 4.5 V	1.6	3.5	11.5	1.1	12.5	1.1	13.5	ns
		Sn to nZ, nYn; see Fig. 11 [1]								
		V _{CC} = 4.5 V	3.2	7.6	13	2.3	15	1.6	17	ns
t _{en}	enable time	\bar{E} to nZ, nYn; see Fig. 12 [2]								
		V _{CC} = 4.5 V	4.2	8.3	25	3.0	30	3.0	35	ns
t _{dis}	disable time	\bar{E} to nZ, nYn; see Fig. 12 [3]								
		V _{CC} = 4.5 V	28.5	61.8	80	28.2	90	28.0	100	ns
C _{PD}	power dissipation capacitance	per channel; see Fig. 13 [4]								
		V _{CC} = 5.0 V	-	47	-	-	-	-	-	pF

- [1] t_{pd} is the same as t_{PLH} and t_{PHL}.
- [2] t_{en} is the same as t_{PZH} and t_{PZL}.
- [3] t_{dis} is the same as t_{PLZ} and t_{PHZ}.
- [4] C_{PD} is used to determine the dynamic power dissipation (P_D in μW):
 $P_D = C_{PD} \times V_{CC}^2 \times f_i + \sum\{(C_L + C_{sw}) \times V_{CC}^2 \times f_o\}$ where:
 f_i = input frequency in MHz;
 f_o = output frequency in MHz;
 $\sum\{(C_L + C_{sw}) \times V_{CC}^2 \times f_o\}$ = sum of outputs;
 C_L = output load capacitance in pF;
 C_{sw} = switch capacitance in pF;
 V_{CC} = supply voltage in V.

11.1. Waveforms

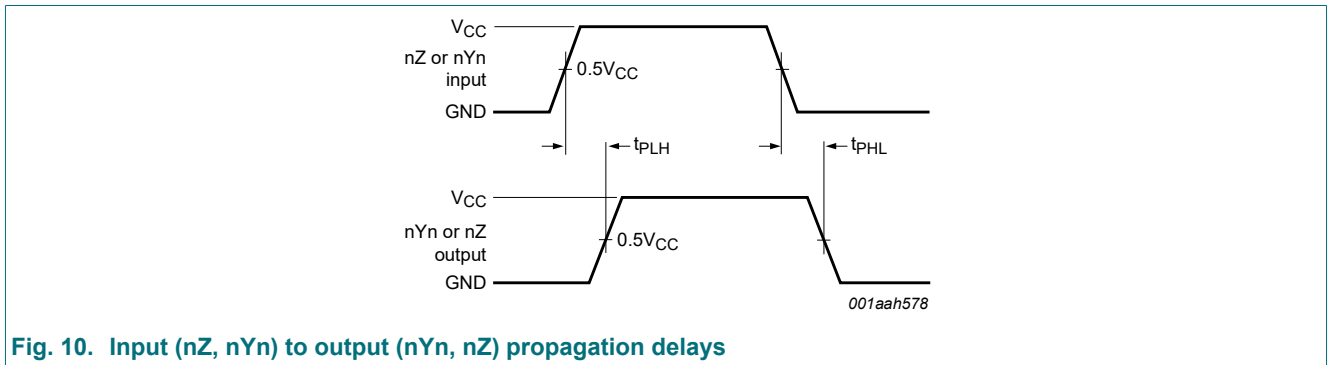
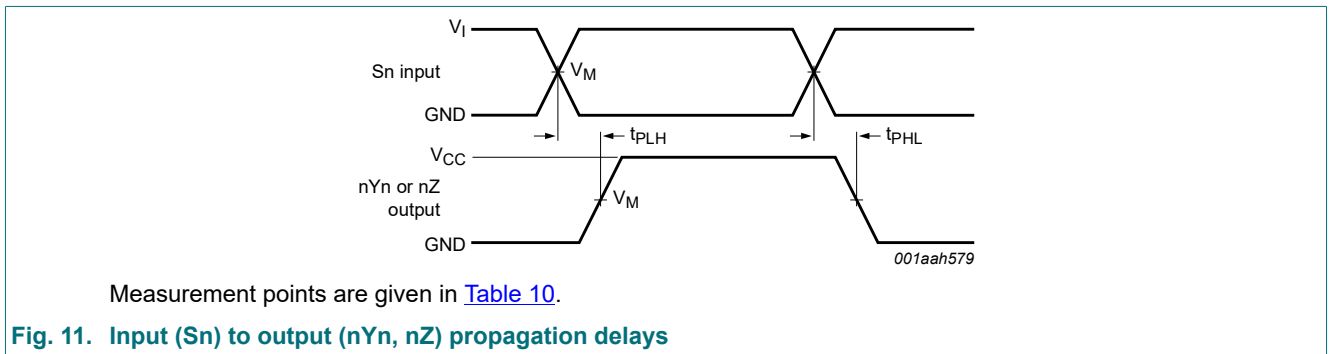


Fig. 10. Input (nZ, nYn) to output (nYn, nZ) propagation delays



Measurement points are given in Table 10.

Fig. 11. Input (Sn) to output (nYn, nZ) propagation delays

Dual 4-channel analog multiplexer/demultiplexer with injection-current effect control



Measurement points are shown in [Table 10](#).
 Logic levels: V_{OL} and V_{OH} are typical output voltage levels that occur with the output load.

Fig. 12. Enable and disable times

Table 10. Measurement points

Type	Input		Output		
	V_M	V_I	V_M	V_X	V_Y
74HC4852	$0.5V_{CC}$	V_{CC}	$0.5V_{CC}$	$V_{OL} + 0.1(V_{CC} - V_{OL})$	$0.9V_{OH}$
74HCT4852	1.3 V	3.0 V	$0.5V_{CC}$	$V_{OL} + 0.1(V_{CC} - V_{OL})$	$0.9V_{OH}$



Fig. 13. Test circuit for measuring power dissipation capacitance

Dual 4-channel analog multiplexer/demultiplexer with injection-current effect control



a. Input pulse definition



Definitions for test circuit:

R_L = load resistance.

C_L = load capacitance including jig and probe capacitance.

R_T = termination resistance should be equal to the output impedance Z_o of the pulse generator.

b. Test circuit

Test data is given in [Table 11](#).

Fig. 14. Input pulse definition and test circuit

Table 11. Test data

Test	Input			Output		S1 position
	Control E, S _n	Switch nY _n (nZ)	t _r , t _f	Switch nZ (nY _n)		
	V _I [1]	V _I		C _L	R _L	
t _{PHL} , t _{PLH}	V _{CC}	V _{CC}	6 ns	50 pF	-	open
t _{PHZ} , t _{PZH}	V _{CC}	V _{CC}	6 ns	50 pF	10 kΩ	GND
t _{PLZ} , t _{PZL}	V _{CC}	V _{CC}	6 ns	50 pF	10 kΩ	V _{CC}
C _{PD}	V _{CC}	V _{CC}	6 ns	0 pF	-	open

[1] For 74HCT4852: input voltage V_I = 3.0 V.

12. Package outline

SO16: plastic small outline package; 16 leads; body width 3.9 mm

SOT109-1



Fig. 15. Package outline SOT109-1 (SO16)

TSSOP16: plastic thin shrink small outline package; 16 leads; body width 4.4 mm

SOT403-1



Fig. 16. Package outline SOT403-1 (TSSOP16)

DHVQFN16: plastic dual in-line compatible thermal enhanced very thin quad flat package; no leads; 16 terminals; body 2.5 x 3.5 x 0.85 mm

SOT763-1



Fig. 17. Package outline SOT763-1 (DHVQFN16)

13. Abbreviations

Table 12. Abbreviations

Acronym	Description
CDM	Charged Device Model
CMOS	Complementary Metal Oxide Semiconductor
DUT	Device Under Test
ESD	ElectroStatic Discharge
HBM	Human Body Model
MM	Machine Model

14. Revision history

Table 13. Revision history

Document ID	Release date	Data sheet status	Change notice	Supersedes
74HC_HCT4852 v.4	20200428	Product data sheet	-	74HC4852 v.3
Modifications:	<ul style="list-style-type: none"> • Section 1: updated. • Table 4: Derating values for P_{tot} total power dissipation have been updated. 			
74HC_HCT4852 v.3	20080902	Product data sheet	-	74HC4852 v.2
Modifications:	<ul style="list-style-type: none"> • 74HCT4852 device added. 			
74HC4852 v.2	20070530	Product data sheet	-	74HC4852 v.1
74HC4852 v.1	20070323	Product data sheet	-	-

15. Legal information

Data sheet status

Document status [1][2]	Product status [3]	Definition
Objective [short] data sheet	Development	This document contains data from the objective specification for product development.
Preliminary [short] data sheet	Qualification	This document contains data from the preliminary specification.
Product [short] data sheet	Production	This document contains the product specification.

- [1] Please consult the most recently issued document before initiating or completing a design.
- [2] The term 'short data sheet' is explained in section "Definitions".
- [3] The product status of device(s) described in this document may have changed since this document was published and may differ in case of multiple devices. The latest product status information is available on the internet at <https://www.nexperia.com>.

Definitions

Draft — The document is a draft version only. The content is still under internal review and subject to formal approval, which may result in modifications or additions. Nexperia does not give any representations or warranties as to the accuracy or completeness of information included herein and shall have no liability for the consequences of use of such information.

Short data sheet — A short data sheet is an extract from a full data sheet with the same product type number(s) and title. A short data sheet is intended for quick reference only and should not be relied upon to contain detailed and full information. For detailed and full information see the relevant full data sheet, which is available on request via the local Nexperia sales office. In case of any inconsistency or conflict with the short data sheet, the full data sheet shall prevail.

Product specification — The information and data provided in a Product data sheet shall define the specification of the product as agreed between Nexperia and its customer, unless Nexperia and customer have explicitly agreed otherwise in writing. In no event however, shall an agreement be valid in which the Nexperia product is deemed to offer functions and qualities beyond those described in the Product data sheet.

Disclaimers

Limited warranty and liability — Information in this document is believed to be accurate and reliable. However, Nexperia does not give any representations or warranties, expressed or implied, as to the accuracy or completeness of such information and shall have no liability for the consequences of use of such information. Nexperia takes no responsibility for the content in this document if provided by an information source outside of Nexperia.

In no event shall Nexperia be liable for any indirect, incidental, punitive, special or consequential damages (including - without limitation - lost profits, lost savings, business interruption, costs related to the removal or replacement of any products or rework charges) whether or not such damages are based on tort (including negligence), warranty, breach of contract or any other legal theory.

Notwithstanding any damages that customer might incur for any reason whatsoever, Nexperia's aggregate and cumulative liability towards customer for the products described herein shall be limited in accordance with the Terms and conditions of commercial sale of Nexperia.

Right to make changes — Nexperia reserves the right to make changes to information published in this document, including without limitation specifications and product descriptions, at any time and without notice. This document supersedes and replaces all information supplied prior to the publication hereof.

Suitability for use — Nexperia products are not designed, authorized or warranted to be suitable for use in life support, life-critical or safety-critical systems or equipment, nor in applications where failure or malfunction of an Nexperia product can reasonably be expected to result in personal

injury, death or severe property or environmental damage. Nexperia and its suppliers accept no liability for inclusion and/or use of Nexperia products in such equipment or applications and therefore such inclusion and/or use is at the customer's own risk.

Quick reference data — The Quick reference data is an extract of the product data given in the Limiting values and Characteristics sections of this document, and as such is not complete, exhaustive or legally binding.

Applications — Applications that are described herein for any of these products are for illustrative purposes only. Nexperia makes no representation or warranty that such applications will be suitable for the specified use without further testing or modification.

Customers are responsible for the design and operation of their applications and products using Nexperia products, and Nexperia accepts no liability for any assistance with applications or customer product design. It is customer's sole responsibility to determine whether the Nexperia product is suitable and fit for the customer's applications and products planned, as well as for the planned application and use of customer's third party customer(s). Customers should provide appropriate design and operating safeguards to minimize the risks associated with their applications and products.

Nexperia does not accept any liability related to any default, damage, costs or problem which is based on any weakness or default in the customer's applications or products, or the application or use by customer's third party customer(s). Customer is responsible for doing all necessary testing for the customer's applications and products using Nexperia products in order to avoid a default of the applications and the products or of the application or use by customer's third party customer(s). Nexperia does not accept any liability in this respect.

Limiting values — Stress above one or more limiting values (as defined in the Absolute Maximum Ratings System of IEC 60134) will cause permanent damage to the device. Limiting values are stress ratings only and (proper) operation of the device at these or any other conditions above those given in the Recommended operating conditions section (if present) or the Characteristics sections of this document is not warranted. Constant or repeated exposure to limiting values will permanently and irreversibly affect the quality and reliability of the device.

Terms and conditions of commercial sale — Nexperia products are sold subject to the general terms and conditions of commercial sale, as published at <http://www.nexperia.com/profile/terms>, unless otherwise agreed in a valid written individual agreement. In case an individual agreement is concluded only the terms and conditions of the respective agreement shall apply. Nexperia hereby expressly objects to applying the customer's general terms and conditions with regard to the purchase of Nexperia products by customer.

No offer to sell or license — Nothing in this document may be interpreted or construed as an offer to sell products that is open for acceptance or the grant, conveyance or implication of any license under any copyrights, patents or other industrial or intellectual property rights.

Export control — This document as well as the item(s) described herein may be subject to export control regulations. Export might require a prior authorization from competent authorities.

Non-automotive qualified products — Unless this data sheet expressly states that this specific Nexperia product is automotive qualified, the product is not suitable for automotive use. It is neither qualified nor tested in accordance with automotive testing or application requirements. Nexperia accepts no liability for inclusion and/or use of non-automotive qualified products in automotive equipment or applications.

In the event that customer uses the product for design-in and use in automotive applications to automotive specifications and standards, customer (a) shall use the product without Nexperia's warranty of the product for such automotive applications, use and specifications, and (b) whenever customer uses the product for automotive applications beyond Nexperia's specifications such use shall be solely at customer's own risk, and (c) customer fully indemnifies Nexperia for any liability, damages or failed product claims resulting from customer design and use of the product for automotive applications beyond Nexperia's standard warranty and Nexperia's product specifications.

Translations — A non-English (translated) version of a document is for reference only. The English version shall prevail in case of any discrepancy between the translated and English versions.

Trademarks

Notice: All referenced brands, product names, service names and trademarks are the property of their respective owners.

Contents

1. General description	1
2. Features	1
3. Applications	1
4. Ordering information	2
5. Functional diagram	2
6. Pinning information	4
6.1. Pinning.....	4
6.2. Pin description.....	4
7. Functional description	5
8. Limiting values	5
9. Recommended operating conditions	6
10. Static characteristics	6
11. Dynamic characteristics	10
11.1. Waveforms.....	11
12. Package outline	14
13. Abbreviations	17
14. Revision history	17
15. Legal information	18

© Nexperia B.V. 2020. All rights reserved

For more information, please visit: <http://www.nexperia.com>

For sales office addresses, please send an email to: salesaddresses@nexperia.com

Date of release: 28 April 2020

Компания «Life Electronics» занимается поставками электронных компонентов импортного и отечественного производства от производителей и со складов крупных дистрибьюторов Европы, Америки и Азии.

С конца 2013 года компания активно расширяет линейку поставок компонентов по направлению коаксиальный кабель, кварцевые генераторы и конденсаторы (керамические, пленочные, электролитические), за счёт заключения дистрибьюторских договоров

Мы предлагаем:

- Конкурентоспособные цены и скидки постоянным клиентам.
- Специальные условия для постоянных клиентов.
- Подбор аналогов.
- Поставку компонентов в любых объемах, удовлетворяющих вашим потребностям.
- Приемлемые сроки поставки, возможна ускоренная поставка.
- Доставку товара в любую точку России и стран СНГ.
- Комплексную поставку.
- Работу по проектам и поставку образцов.
- Формирование склада под заказчика.
- Сертификаты соответствия на поставляемую продукцию (по желанию клиента).
- Тестирование поставляемой продукции.
- Поставку компонентов, требующих военную и космическую приемку.
- Входной контроль качества.
- Наличие сертификата ISO.

В составе нашей компании организован Конструкторский отдел, призванный помогать разработчикам, и инженерам.

Конструкторский отдел помогает осуществить:

- Регистрацию проекта у производителя компонентов.
- Техническую поддержку проекта.
- Защиту от снятия компонента с производства.
- Оценку стоимости проекта по компонентам.
- Изготовление тестовой платы монтаж и пусконаладочные работы.



Тел: +7 (812) 336 43 04 (многоканальный)

Email: org@lifeelectronics.ru