

General Specifications

Toggles

Rockers

Pushbuttons

Illuminated PB

Programmable

Keylocks

Rotaries

Slides

Tactiles

Tilt

Touch

Indicators

Accessories

Supplement

Electrical Capacity (Resistive Load)

Power Level (silver):	3VA maximum @ 28V DC maximum (Applicable Range 10mA ~ 125mA @ 0.1V ~ 28V)
Logic Level (gold):	0.4VA maximum @ 28V AC/DC maximum (Applicable Range 0.1mA ~ 0.1A @ 20mV ~ 28V)
	Note: See Supplement for further explanation of operating range.

Other Ratings

Contact Resistance:	100 milliohms maximum
Insulation Resistance:	100 megohms minimum @ 100V DC
Dielectric Strength:	250V AC minimum for 1 minute minimum between contacts & between contacts & case
Mechanical Life:	500,000 operations minimum
Electrical Life:	500,000 operations minimum
Nominal Operating Force:	1.60N
Total Travel:	.008" (0.2mm)

Materials & Finishes

Actuator:	Glass fiber reinforced polyamide (UL94V-0)
Case:	Stainless steel
Base:	Glass fiber reinforced polyamide (UL94V-0)
Movable Contacts:	Stainless steel with silver or gold plating
Stationary Contacts:	Brass with silver or gold plating
Terminals:	Brass with silver or gold plating

Environmental Data

Operating Temperature Range:	-20°C through +70°C (-4°F through +158°F)
Humidity:	90 ~ 95% humidity for 240 hours @ 40°C (104°F)
Vibration:	10 ~ 55Hz with peak-to-peak amplitude of 1.5mm traversing the frequency range & returning in 1 minute; 3 right angled directions for 2 hours
Shock:	100G (981m/s ²) acceleration (tested in 6 right angled directions, with 5 shocks in each direction)

Processing

Soldering:	Reflow Soldering Recommended. See Profile A in Supplement section. Manual Soldering: See Profile A in Supplement section.
Cleaning:	These devices are not process sealed. Hand clean locally using alcohol based solution.

Standards & Certifications

Flammability Standards:	UL94V-0 actuator and base These switches are designed for use in a low-voltage, low-current circuit. When used as intended, the results do not produce hazardous energy.
--------------------------------	--

Distinctive Characteristics

.244" (6.2mm) square body allows compact mounting.

Heat resistant resin body meets lead-free solder processing requirements and UL flammability rating of 94V-0.

Stick-tube and tape-reel packaging allow rapid automated placement of devices.

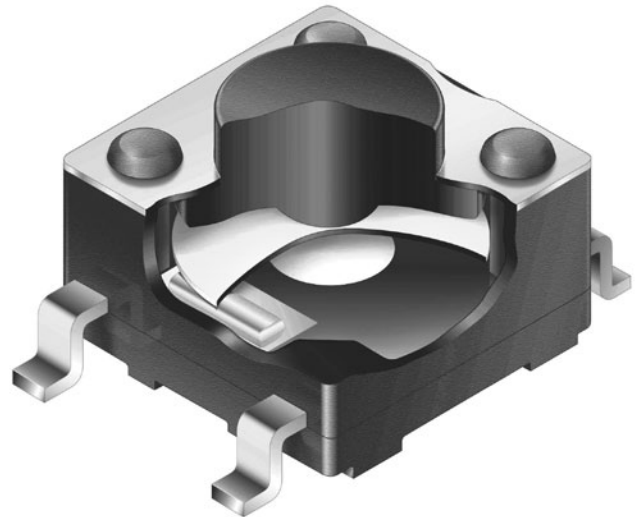
Gold plated contacts available for very low voltage/current applications offer advantages of little or no oxidization or sulfurization and stable contact resistance.

Gull-winged terminals ensure mechanical stability during soldering and simplified solder joint inspection.

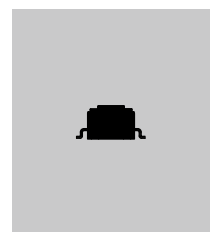
Insert molded terminals lock out flux, solvents, and other contaminants and allow automated soldering.

Tape-reel packaging meets EIA-481-D Standard.

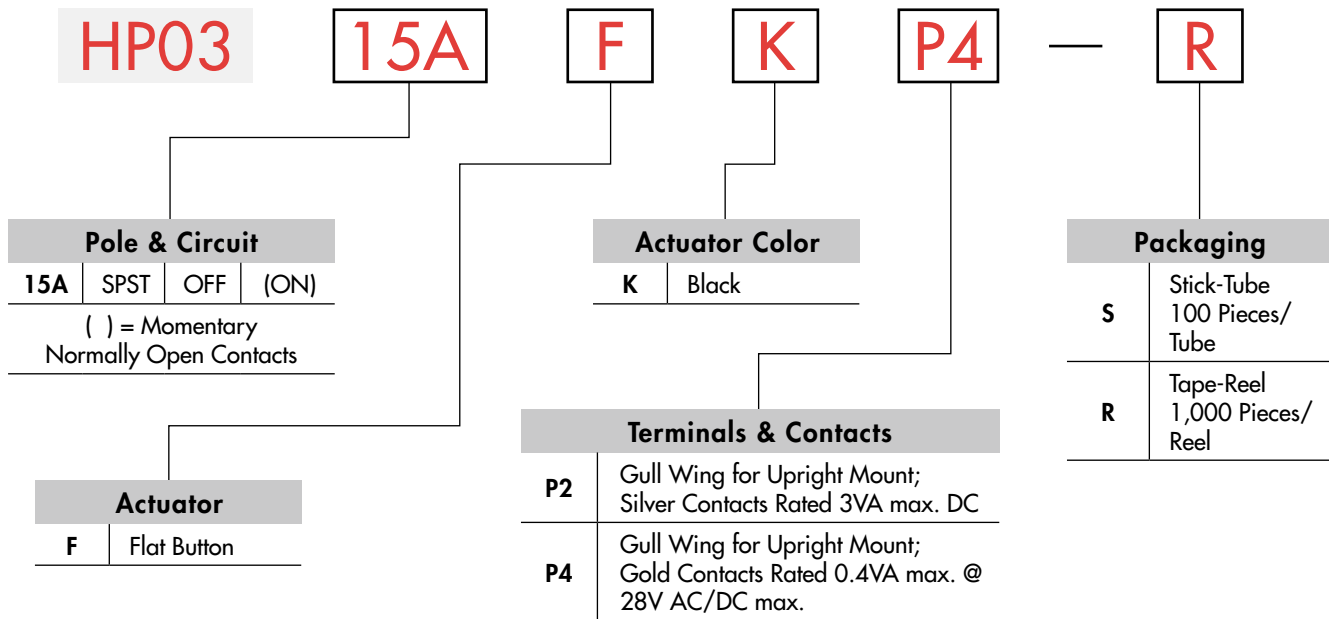
Coplanarity: all considered surfaces must lie between two parallel planes that are a maximum distance apart of .0039" (0.10mm). (Additional coplanarity details in Terms and Acronyms in the Supplement section.)



Actual Size



TYPICAL SWITCH ORDERING EXAMPLE

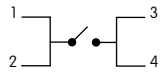


DESCRIPTION FOR TYPICAL ORDERING EXAMPLE

HP0315AFKP4-R



POLE & CIRCUIT

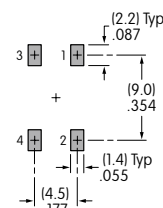
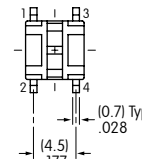
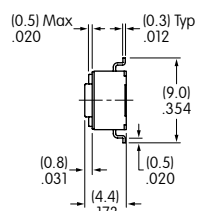
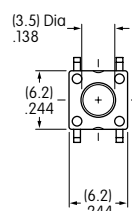
Pole	Model	Actuator Position () = Momentary		Switch Throw & Schematic	Note: Terminal numbers are not actually on the switch.
		Normal	Down		
SP	HP0315A	OFF	(ON)	SPST 	

TYPICAL SWITCH DIMENSIONS

Gull-winged



HP0315AFKP4



PACKAGING

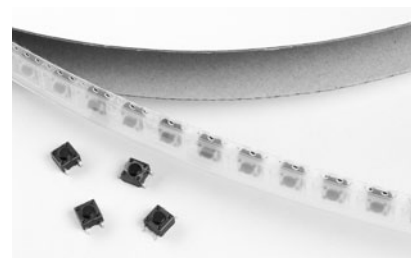
S Stick-Tube

Switches must be ordered in 100-piece increments when stick-tube packaging is selected.



R Tape-Reel

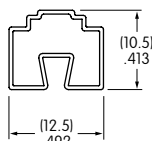
Switches must be ordered in 1,000-piece increments when tape-reel packaging is selected.



Packaging meets EIA-481-D Standard.

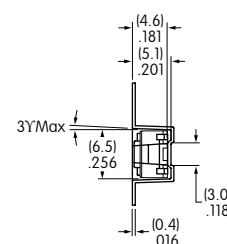
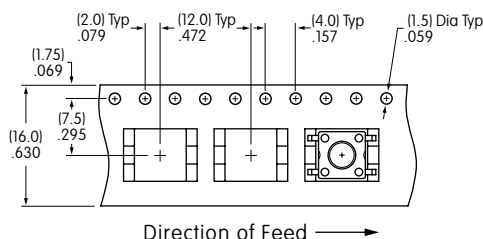
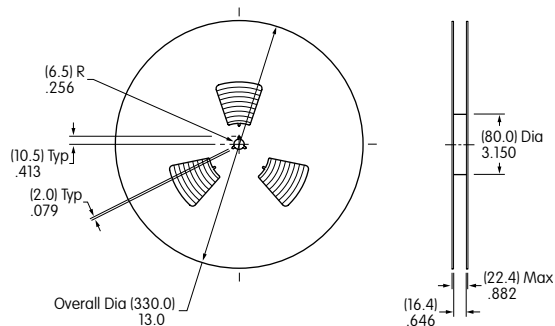
Stick-Tube Dimensions

Each stick-tube contains 100 switches



Tape-Reel Dimensions

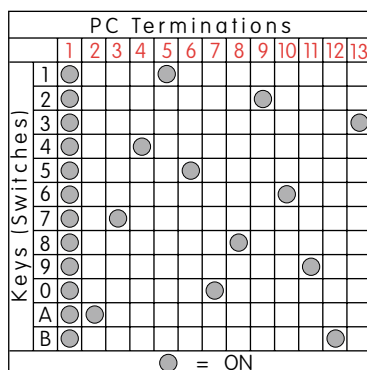
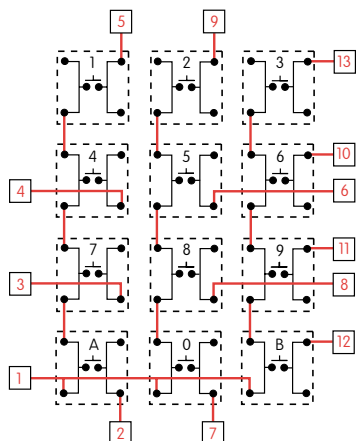
Each tape-reel of 1,100 pockets contains 1,000 switches.
Minimum Leader Length: 15.748" (400mm). Minimum Trailer Length: 6.299" (160mm).



KEYBOARD MATRIX

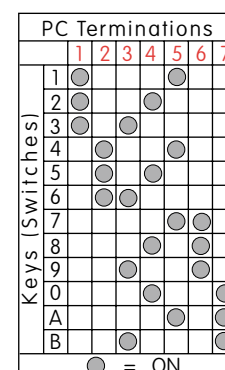
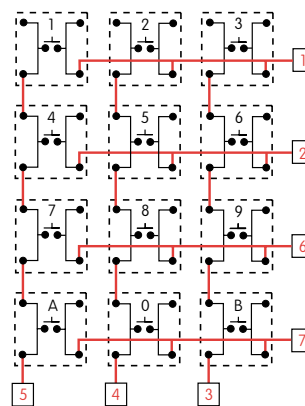
Common Bus Matrix

These single pole, single throw switches can be used in a keyboard matrix and, using strapped terminals, achieve a common bus electrical configuration on a single-sided PC board.



X-Y Matrix

These single pole, single throw switches can be arranged on a single-sided PC board matrix with strapped terminals to achieve an X-Y type electrical interconnection.



Red = PCB Trace Black = Switch Circuit

Toggles
Rockers
Pushbuttons
Illuminated PB
Programmable
Keylocks
Rotaries
Slides
Tactiles
Tilt
Touch
Indicators
Accessories
Supplement

Компания «Life Electronics» занимается поставками электронных компонентов импортного и отечественного производства от производителей и со складов крупных дистрибьюторов Европы, Америки и Азии.

С конца 2013 года компания активно расширяет линейку поставок компонентов по направлению коаксиальный кабель, кварцевые генераторы и конденсаторы (керамические, пленочные, электролитические), за счёт заключения дистрибьюторских договоров

Мы предлагаем:

- Конкурентоспособные цены и скидки постоянным клиентам.
- Специальные условия для постоянных клиентов.
- Подбор аналогов.
- Поставку компонентов в любых объемах, удовлетворяющих вашим потребностям.
- Приемлемые сроки поставки, возможна ускоренная поставка.
- Доставку товара в любую точку России и стран СНГ.
- Комплексную поставку.
- Работу по проектам и поставку образцов.
- Формирование склада под заказчика.
- Сертификаты соответствия на поставляемую продукцию (по желанию клиента).
- Тестирование поставляемой продукции.
- Поставку компонентов, требующих военную и космическую приемку.
- Входной контроль качества.
- Наличие сертификата ISO.

В составе нашей компании организован Конструкторский отдел, призванный помогать разработчикам, и инженерам.

Конструкторский отдел помогает осуществить:

- Регистрацию проекта у производителя компонентов.
- Техническую поддержку проекта.
- Защиту от снятия компонента с производства.
- Оценку стоимости проекта по компонентам.
- Изготовление тестовой платы монтаж и пусконаладочные работы.



Тел: +7 (812) 336 43 04 (многоканальный)

Email: org@lifeelectronics.ru