



CODE 41 - TINEL-LOCK BACKSHELL

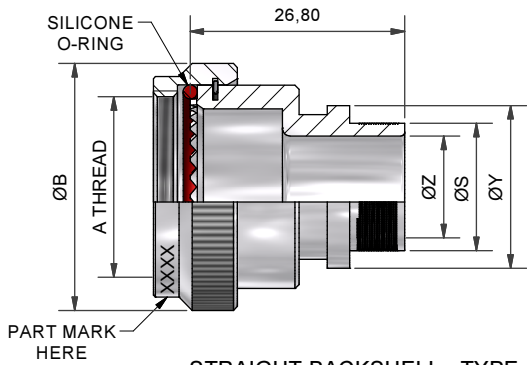
TXR41AB00-1608AI-S

SERIES _____
 TXR: RING INCLUDED
 (SEE RING OPTION)
 TX: RING NOT INCLUDED
 CONNECTOR INTERFACE _____
 MATERIAL _____
 REFER TO CH00-0250-008
 FINISH _____
 REFER TO CH00-0250-008
 ANGLE _____
 DASH NUMBER (TABLE 1) _____
 ENTRY SIZE (TABLE 2) _____
 RING OPTION _____
 AI - TO SUIT SINGLE BRAID
 BI - TO SUIT DOUBLE BRAID
 FOR TX, LEAVE BLANK
 MODIFICATION CODE _____
 REFER TO CH00-0250-008

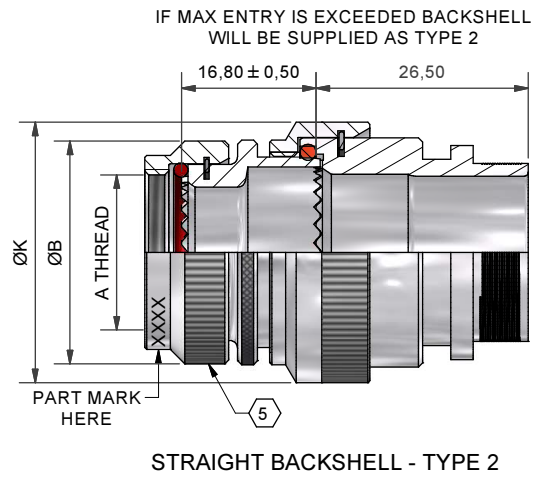
NOTES:

1. THIS PRODUCT IS DESIGNED TO TERMINATE A BRAIDED CABLE SHIELD AND A HEAT SHRINKABLE LIPPED BOOT TO A CONNECTOR.
2. FOR ADDITIONAL DIMENSIONS, ORDERING INFORMATION AND MODIFICATIONS, SEE CH00-0250-008.
3. SEE DRAWING TR FOR DETAIL ON TINEL-LOCK RING, RINGS ARE DESIGNED TO BE HEATED ELECTRICALLY, ALL RINGS ARE MARKED WITH THERMOCHROMIC PAINT WHICH CHANGES COLOUR WHEN INSTALLATION TEMPERATURE IS REACHED.
4. BACKSHELL TO BE PERMANENTLY MARKED/BAGGED AND LABELLED WITH CODE IDENTIFICATION NUMBER AND PART NUMBER LESS RING DESIGNATOR. (e.g. 06090-TXR41AB00-1206). RING SHALL BEAR NO MARKING.
5. FOR LARGER ENTRY SIZES, A 2 PIECE BACKSHELL ASSEMBLY (TYPE 2) IS SUPPLIED.
6. BACKSHELL MATES TO MIL-DTL-38999, SERIES I AND II, CLASS E AND T, MS27466, MS27467, MS27468, MS27472, MS27473, MS27474, MS27479, MS27480, MS27481, MS27484, MS27497, MS27652, MS27653, MS27656 CONNECTORS.
7. THESE DIMENSIONS APPLY IF A SELF-LOCKING COUPLING NUT IS USED.

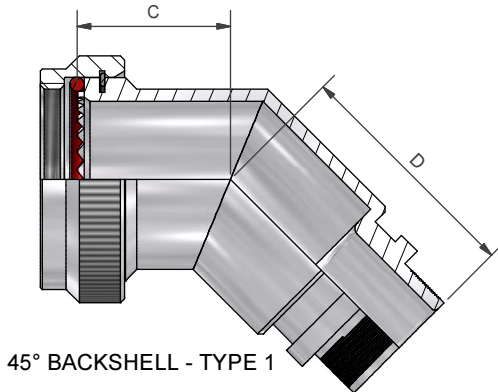
| | | | | | | | | | |
|----------------------------------------------------|---------------------------|------------|------------------------------------------------------------------------------------------------------------------|-----------------------------------------------------------------------------------------------------------------------------------|--------------------------------------------------------------------------------------------------------------------------------------------------------------------------------------------------------------------|----------------------|-----------------------------------------------------------------------------------------------------------------------------------------------------------------------------------------------------------------|-------------------|-----------------------------|
| DRAWN | K.WINCZURA | DATE | 04/12/2014 |  3RD ANGLE PROJECTION NOT TO SCALE | TITLE: | TINEL-LOCK BACKSHELL |  Polanco  TE connectivity | | |
| CHECKED | | 04/12/2014 | UNLESS OTHERWISE SPECIFIED ALL DIMENSIONS IN MILLIMETRES GENERAL TOL LINEAR +/-0.25MM ANGULAR +/- 1° | | | | | ASSY USED ON: | MIL-DTL-38999 SERIES I & II |
| APPROVED | K.SHEPPARD | 04/12/2014 | | | REVISIONS | | | | |
| APPROVED | H.SMITH | 16/02/2015 | LTR | | DESCRIPTION | DATE | | APPROVED | |
| H | REVISED PER ECO-12-021161 | 04.12.12 | G.WELLS | | | | | | |
| J | REVISED PER ECO-15-002319 | 16.02.15 | H.SMITH | | | | | | |
| TE CAGE CODE: 06090 POLAMCO/TE CAGE CODE: U5792 | | | | | TE CONNECTIVITY - POLAMCO LTD RESERVES THE RIGHT TO AMEND THIS DRAWING AND THE INFORMATION SET FORTH HEREON AT ANY TIME. USERS SHOULD INDEPENDENTLY EVALUATE THE SUITABILITY OF THE PRODUCT FOR THEIR APPLICATION. | | DRAWING NO: TXR41 | DRAWING REV: J | SHT 1 |



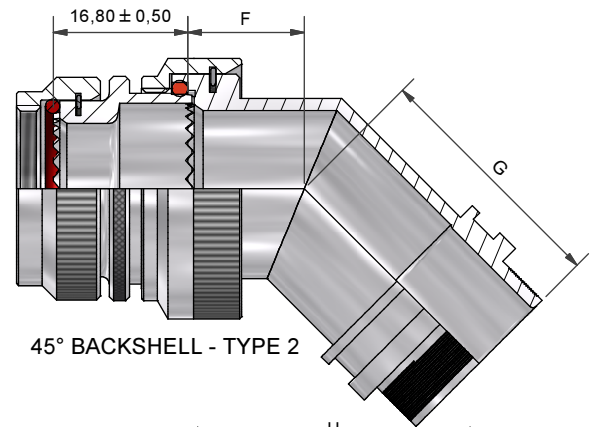
STRAIGHT BACKSHELL - TYPE 1



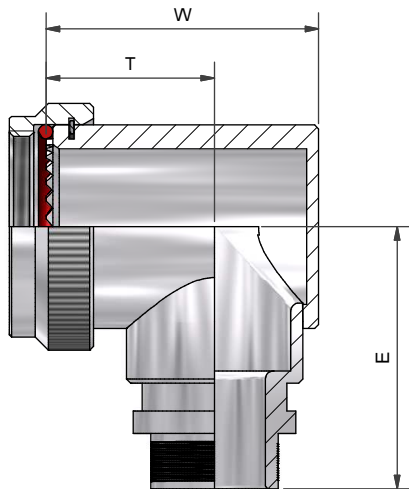
STRAIGHT BACKSHELL - TYPE 2



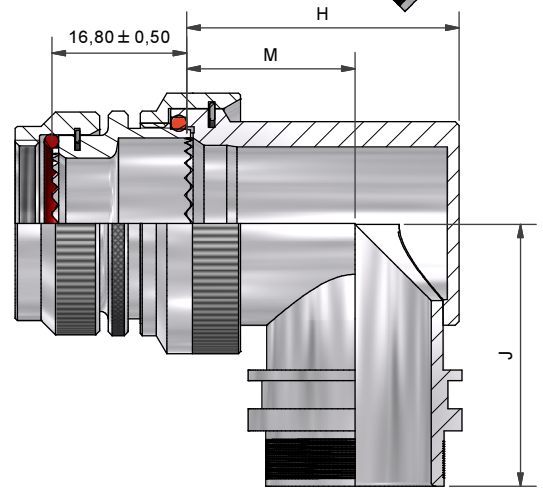
45° BACKSHELL - TYPE 1



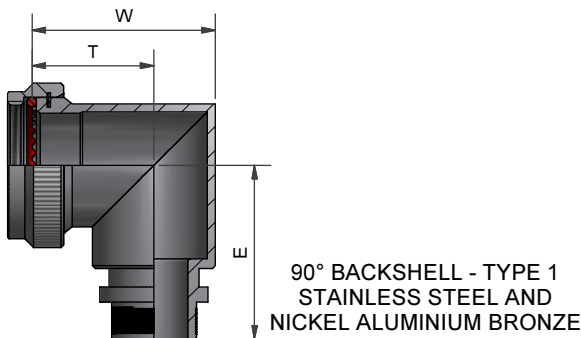
45° BACKSHELL - TYPE 2



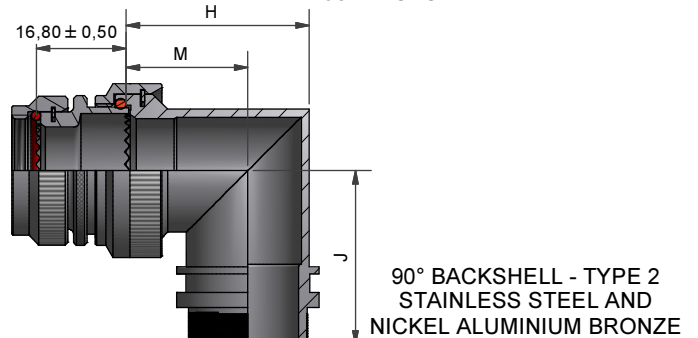
90° BACKSHELL - TYPE 1



90° BACKSHELL - TYPE 2



90° BACKSHELL - TYPE 1
STAINLESS STEEL AND
NICKEL ALUMINIUM BRONZE



90° BACKSHELL - TYPE 2
STAINLESS STEEL AND
NICKEL ALUMINIUM BRONZE

| | | | |
|-----------|---------------------------|----------|------------|
| DRAWN | K.WINCZURA | DATE | 04/12/2014 |
| CHECKED | | DATE | 04/12/2014 |
| APPROVED | K.SHEPPARD | DATE | 04/12/2014 |
| APPROVED | H.SMITH | DATE | 16/02/2015 |
| REVISIONS | | | |
| LTR | DESCRIPTION | DATE | APPROVED |
| H | REVISED PER ECO-12-021161 | 04.12.12 | G.WELLS |
| J | REVISED PER ECO-15-002319 | 16.02.15 | H.SMITH |

3RD ANGLE PROJECTION NOT TO SCALE

UNLESS OTHERWISE SPECIFIED ALL DIMENSIONS IN MILLIMETRES
GENERAL TOL
LINEAR +/-0.25MM
ANGULAR +/- 1°

TITLE:
TINEL-LOCK BACKSHELL

ASSY USED ON:
MIL-DTL-38999 SERIES I & II



TE CAGE CODE: 06090
POLAMCO/TE CAGE CODE: U5792

TE CONNECTIVITY - POLAMCO LTD RESERVES THE RIGHT TO AMEND THIS DRAWING AND THE INFORMATION SET FORTH HEREON AT ANY TIME. USERS SHOULD INDEPENDENTLY EVALUATE THE SUITABILITY OF THE PRODUCT FOR THEIR APPLICATION.

| | | |
|-----------------------------|--------------------------|-----------------|
| DRAWING NO: TXR41 | DRAWING REV: J | SHT 2 |
|-----------------------------|--------------------------|-----------------|

MODIFICATION S (SELF-LOCKING COUPLING NUT)



BACKSHELL - TYPE 1



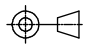
BACKSHELL - TYPE 2

TABLE 1

| ORDER NO. | SHELL SIZE SER I / SER II | A THREAD | ØB MAX | ØB MAX (7) | MAX ENTRY | C ±0,5 | D ±0,5 | W ±0,5 | T ±0,5 | E ±0,5 | THESE DIMENSIONS APPLY IF BACKSHELL IS STAINLESS STEEL OR NICKEL ALUMINIUM BRONZE | | |
|-----------|---------------------------|---------------|--------|------------|-----------|--------|--------|--------|--------|--------|-----------------------------------------------------------------------------------|--------|--------|
| | | | | | | | | | | | W ±0,5 | T ±0,5 | E ±0,5 |
| 08 | 9 / 8 | 7/16-28UNEF | 18,3 | 18,0 | 04 | 16,4 | 26,8 | 21,0 | 14,0 | 26,20 | 21,3 | 16,4 | 26,4 |
| 10 | 11 / 10 | 9/16-24UNEF | 21,5 | 21,0 | 07 | 17,2 | 27,5 | 24,0 | 15,5 | 27,95 | 24,4 | 17,3 | 28,2 |
| 12 | 13 / 12 | 11/16-24UNEF | 24,5 | 25,0 | 08 | 17,6 | 28,0 | 27,0 | 17,0 | 29,45 | 28,4 | 19,5 | 29,7 |
| 14 | 15 / 14 | 13/16-20UNEF | 27,8 | 28,0 | 10 | 18,5 | 29,0 | 31,0 | 19,5 | 31,00 | 31,2 | 21,0 | 31,2 |
| 16 | 17 / 16 | 15/16-20UNEF | 30,8 | 31,0 | 12 | 19,2 | 29,7 | 34,0 | 21,0 | 32,70 | 34,3 | 22,8 | 32,9 |
| 18 | 19 / 18 | 1 1/16-18UNEF | 34,1 | 34,0 | 14 | 19,6 | 30,5 | 35,0 | 20,0 | 34,25 | 38,6 | 25,3 | 34,5 |
| 20 | 21 / 20 | 1 3/16-18UNEF | 37,3 | 37,0 | 16 | 20,4 | 30,9 | 38,0 | 21,5 | 35,80 | 40,8 | 26,1 | 36,1 |
| 22 | 23 / 22 | 1 5/16-18UNEF | 40,5 | 40,0 | 18 | 20,8 | 31,1 | 42,0 | 24,0 | 37,40 | 43,8 | 27,6 | 37,6 |
| 24 | 25 / 24 | 1 7/16-18UNEF | 43,7 | 43,5 | 20 | 21,7 | 32,1 | 45,0 | 25,5 | 38,90 | 46,5 | 29,1 | 39,1 |

TABLE 2

| ENTRY SIZE | ØZ MIN | ØS | ØY ± 0,3 | ØK MAX | ØK MAX (7) | F ±0,5 | G ±0,5 | H ±0,5 | M ±0,5 | J ±0,5 | THESE DIMENSIONS APPLY IF BACKSHELL IS STAINLESS STEEL OR NICKEL ALUMINIUM BRONZE | | |
|------------|--------|---------------|----------|--------|------------|--------|--------|--------|--------|--------|-----------------------------------------------------------------------------------|--------|--------|
| | | | | | | | | | | | H ±0,5 | M ±0,5 | J ±0,5 |
| 04 | 6,35 | 9,49 +/-0,04 | 14,00 | NA | NA | NA | NA | NA | NA | NA | NA | NA | NA |
| 05 | 7,92 | 11,06 +/-0,04 | 15,50 | 21,0 | 24,6 | 12,5 | 27,5 | 24,0 | 15,5 | 27,95 | 24,3 | 17,2 | 28,2 |
| 06 | 9,53 | 12,66 +/-0,04 | 17,10 | 21,0 | 24,6 | 12,5 | 27,5 | 24,0 | 15,5 | 27,95 | 24,3 | 17,2 | 28,2 |
| 07 | 11,10 | 14,21 +/-0,07 | 18,70 | 21,0 | 24,6 | 12,5 | 27,5 | 24,0 | 15,5 | 27,95 | 24,3 | 17,2 | 28,2 |
| 08 | 12,70 | 15,81 +/-0,07 | 20,30 | 24,5 | 28,3 | 13,1 | 28,0 | 27,0 | 17,0 | 29,45 | 28,3 | 19,4 | 29,7 |
| 10 | 15,88 | 18,96 +/-0,08 | 23,50 | 29,0 | 32,4 | 13,5 | 29,0 | 31,0 | 19,5 | 31,00 | 31,1 | 21,0 | 31,2 |
| 12 | 19,05 | 22,14 +/-0,08 | 26,70 | 32,5 | 35,6 | 14,5 | 29,7 | 34,0 | 21,0 | 32,70 | 34,2 | 22,8 | 32,9 |
| 14 | 22,23 | 25,30 +/-0,08 | 29,80 | 35,5 | 38,5 | 15,5 | 30,5 | 35,0 | 20,0 | 34,25 | 38,5 | 25,3 | 34,5 |
| 16 | 25,40 | 28,48 +/-0,08 | 33,00 | 37,0 | 41,7 | 16,1 | 30,9 | 38,0 | 21,5 | 35,80 | 40,7 | 26,1 | 36,1 |
| 18 | 28,58 | 31,65 +/-0,08 | 36,20 | 40,0 | 43,9 | 16,5 | 31,1 | 42,0 | 24,0 | 37,40 | 43,7 | 27,6 | 37,6 |
| 20 | 31,75 | 34,83 +/-0,08 | 39,40 | 43,5 | 47,0 | 17,0 | 32,1 | 45,0 | 25,5 | 38,90 | 46,4 | 29,1 | 39,1 |
| 22 | 34,93 | 37,98 +/-0,08 | 42,50 | 48,5 | 50,0 | 18,5 | 35,3 | 54,5 | 31,0 | 42,00 | 50,0 | 31,0 | 42,0 |
| 24 | 38,10 | 41,15 +/-0,08 | 45,70 | 52,1 | 56,0 | 21,9 | 38,1 | 58,0 | 33,0 | 46,00 | 53,5 | 33,0 | 46,0 |

| | | | | |
|-----------|---------------------------|----------|------------|-----------------------------------------------------------------------------------------------------------------------------------------------------------------------------------------------------------------------------------------------------|
| DRAWN | K.WINCZURA | DATE | 04/12/2014 |  3RD ANGLE PROJECTION NOT TO SCALE UNLESS OTHERWISE SPECIFIED ALL DIMENSIONS IN MILLIMETRES GENERAL TOL LINEAR +/-0,25MM ANGULAR +/- 1° |
| CHECKED | | DATE | 04/12/2014 | |
| APPROVED | K.SHEPPARD | DATE | 04/12/2014 | |
| APPROVED | H.SMITH | DATE | 16/02/2015 | |
| REVISIONS | | | | |
| LTR | DESCRIPTION | DATE | APPROVED | |
| H | REVISED PER ECO-12-021161 | 04.12.12 | G.WELLS | |
| J | REVISED PER ECO-15-002319 | 16.02.15 | H.SMITH | |

TITLE:
TINEL-LOCK BACKSHELL

ASSY USED ON:
MIL-DTL-38999 SERIES I & II



Компания «Life Electronics» занимается поставками электронных компонентов импортного и отечественного производства от производителей и со складов крупных дистрибьюторов Европы, Америки и Азии.

С конца 2013 года компания активно расширяет линейку поставок компонентов по направлению коаксиальный кабель, кварцевые генераторы и конденсаторы (керамические, пленочные, электролитические), за счёт заключения дистрибьюторских договоров

Мы предлагаем:

- Конкурентоспособные цены и скидки постоянным клиентам.
- Специальные условия для постоянных клиентов.
- Подбор аналогов.
- Поставку компонентов в любых объемах, удовлетворяющих вашим потребностям.
- Приемлемые сроки поставки, возможна ускоренная поставка.
- Доставку товара в любую точку России и стран СНГ.
- Комплексную поставку.
- Работу по проектам и поставку образцов.
- Формирование склада под заказчика.
- Сертификаты соответствия на поставляемую продукцию (по желанию клиента).
- Тестирование поставляемой продукции.
- Поставку компонентов, требующих военную и космическую приемку.
- Входной контроль качества.
- Наличие сертификата ISO.

В составе нашей компании организован Конструкторский отдел, призванный помогать разработчикам, и инженерам.

Конструкторский отдел помогает осуществить:

- Регистрацию проекта у производителя компонентов.
- Техническую поддержку проекта.
- Защиту от снятия компонента с производства.
- Оценку стоимости проекта по компонентам.
- Изготовление тестовой платы монтаж и пусконаладочные работы.



Тел: +7 (812) 336 43 04 (многоканальный)

Email: org@lifeelectronics.ru