

### FEATURES

- Oversampled successive approximation (SAR) architecture**
- High performance ac and dc accuracy, low power 115.5 dB typical dynamic range, 32 kHz output data rate (ODR)**
- 112 dB typical total harmonic distortion (THD)**
- Exceptionally low power**
- 8.5 mW, 32 kHz ODR**
- High dc accuracy**
- 24 bits, no missing codes (NMC)**
- Integral nonlinearity (INL): ±6 ppm (typical), ±15 ppm (maximum)**
- Low temperature drift**
- Zero error drift: 15 nV/°C typical**
- Gain error drift: 0.4 ppm/°C typical**
- On-chip low-pass FIR filter**
- Linear phase response**
- Pass-band ripple: ±0.005 dB maximum**
- Stop-band attenuation: 100 dB minimum**
- 2.5 V supply with 1.8 V/2.5 V/3 V/3.6 V logic interface options**
- Flexible interfacing options**
- Synchronization of multiple devices**
- Daisy-chain capability**
- Power-down function**
- Temperature range: –40°C to +105°C**

### APPLICATIONS

- Low power PCI/USB data acquisition systems**
- Low power wireless acquisition systems**
- Vibration analysis**
- Instrumentation**
- High precision medical acquisition**

### GENERAL DESCRIPTION

The [AD7766-2-KGD](#) is a high performance, 24-bit, oversampled SAR analog-to-digital converter (ADC). The [AD7766-2-KGD](#) combines the benefits of a large dynamic range and input bandwidth, consuming 8.5 mW power.

Ideal for ultralow power data acquisition (such as PCI-based and USB-based systems), the [AD7766-2-KGD](#) provides 24-bit resolution. The combination of exceptional signal-to-noise ratio (SNR), wide dynamic range, and outstanding dc accuracy make the [AD7766-2-KGD](#) ideally suited for measuring small signal changes over a wide dynamic range. This device is particularly suitable for applications where small changes on the input are measured on larger ac or dc signals. In such an application, the [AD7766-2-KGD](#) accurately gathers both ac and dc information.

Rev. 0

[Document Feedback](#)

Information furnished by Analog Devices is believed to be accurate and reliable. However, no responsibility is assumed by Analog Devices for its use, nor for any infringements of patents or other rights of third parties that may result from its use. Specifications subject to change without notice. No license is granted by implication or otherwise under any patent or patent rights of Analog Devices. Trademarks and registered trademarks are the property of their respective owners.

### FUNCTIONAL BLOCK DIAGRAM

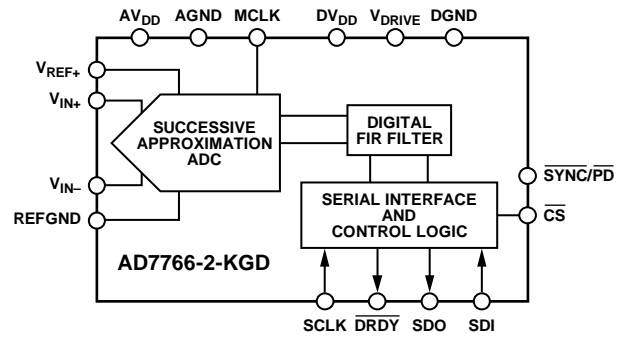


Figure 1.

The [AD7766-2-KGD](#) includes an on-board digital filter (complete with linear phase response) that acts to eliminate out-of-band noise by filtering the oversampled input voltage. The oversampled architecture also reduces front-end antialiasing requirements. Other features of the [AD7766-2-KGD](#) include a SYNC/PD (synchronization/power-down) pin that allows synchronizing of multiple [AD7766-2-KGD](#) devices or that powers down the [AD7766-2-KGD](#). The addition of an SDI pin provides the option of daisy chaining multiple [AD7766-2-KGD](#) devices.

The [AD7766-2-KGD](#) operates from a 2.5 V supply using a 5 V reference. The device operates from –40°C to +105°C.

Additional application and technical information can be found in the [AD7766-2](#) data sheet.

Known Good Die (KGD): this die is fully guaranteed to data sheet specifications.

### RELATED DEVICES

Table 1. 24-Bit ADCs

Part No.	Description
<a href="#">AD7760</a>	2.5 MSPS, 100 dB dynamic range, <sup>1</sup> on-board differential amp and reference buffer, parallel, variable decimation
<a href="#">AD7762/AD7763</a>	625 kSPS, 109 dB dynamic range, <sup>1</sup> on-board differential amp and reference buffer, parallel/serial, variable decimation
<a href="#">AD7764</a>	312 kSPS, 109 dB dynamic range, <sup>1</sup> on-board differential amp and reference buffer, variable decimation (pin)
<a href="#">AD7765</a>	156 kSPS, 112 dB dynamic range, <sup>1</sup> on-board differential amp and reference buffer, variable decimation (pin)
<a href="#">AD7767</a>	128 kSPS, 109.5 dB, <sup>1</sup> 15 mW, 18-bit INL, serial interface
<a href="#">AD7767-1</a>	64 kSPS 112.5 dB, <sup>1</sup> 10.5 mW, 18-bit INL, serial interface
<a href="#">AD7767-2</a>	32 kSPS, 115.5 dB, <sup>1</sup> 8.5 mW, 18-bit INL, serial interface

<sup>1</sup> Dynamic range at maximum output data rate.

**TABLE OF CONTENTS**

Features .....	1	Timing Specifications .....	5
Applications.....	1	Absolute Maximum Ratings .....	8
General Description .....	1	ESD Caution.....	8
Functional Block Diagram .....	1	Pin Configuration and Function Descriptions.....	9
Related Devices .....	1	Outline Dimensions .....	11
Revision History .....	2	Die Specifications and Assembly Recommendations .....	11
Specifications.....	3	Ordering Guide .....	11

**REVISION HISTORY**

1/16—Revision 0: Initial Version

## SPECIFICATIONS

$AV_{DD} = DV_{DD} = 2.5\text{ V} \pm 5\%$ ,  $V_{DRIVE} = 1.8\text{ V}$  to  $3.6\text{ V}$ ,  $V_{REF+} = 5\text{ V}$ ,  $MCLK = 1\text{ MHz}$ , common-mode input =  $V_{REF+}/2$ ,  $T_A = -40^\circ\text{C}$  to  $+105^\circ\text{C}$ , unless otherwise noted.

Table 2.

Parameter	Test Conditions/Comments	Min	Typ	Max	Unit
OUTPUT DATA RATE (ODR)	Decimate by 32			32	kHz
ANALOG INPUT					
Differential Input Voltage	$V_{IN+} - V_{IN-}$			$\pm V_{REF+}$	V p-p
Absolute Input Voltage	$V_{IN+}$	-0.1		$+V_{REF+} + 0.1$	V
	$V_{IN-}$	-0.1		$+V_{REF+} + 0.1$	V
Common-Mode Input Voltage		$V_{REF+}/2 - 5\%$	$V_{REF+}/2$	$V_{REF+}/2 + 5\%$	V
Input Capacitance			22		pF
DYNAMIC PERFORMANCE					
Dynamic Range	Decimate by 32, ODR = 32 kHz Shorted inputs	114	115.5		dB
Signal-to-Noise Ratio (SNR)	Full-scale input amplitude, 1 kHz tone	112	113.5		dB
Spurious-Free Dynamic Range (SFDR)	Full-scale input amplitude, 1 kHz tone		-128	-116	dB
Total Harmonic Distortion (THD)	Full-scale input amplitude, 1 kHz tone		-112	-103	dB
Intermodulation Distortion (IMD)	Tone A = 11.7 kHz, Tone B = 12.3 kHz				dB
Second-Order Terms			-137		dB
Third-Order Terms			-108		dB
DC ACCURACY					
Resolution	For all devices No missing codes	24			Bits
Differential Nonlinearity	Guaranteed monotonic to 24 bits				
Integral Nonlinearity	16-bit linearity		$\pm 6$	$\pm 15$	ppm
Zero Error			20		$\mu\text{V}$
Gain Error			0.0075	0.075	% FS
Zero Error Drift			15		nV/ $^\circ\text{C}$
Gain Error Drift			0.4		ppm/ $^\circ\text{C}$
Common-Mode Rejection Ratio	50 Hz tone		-110		dB
DIGITAL FILTER RESPONSE					
Group Delay			37/ODR		$\mu\text{s}$
Settling Time (Latency)	Complete settling		74/ODR		$\mu\text{s}$
Pass-Band Ripple				$\pm 0.005$	dB
Pass Band			$0.453 \times \text{ODR}$		Hz
-3 dB Bandwidth			$0.49 \times \text{ODR}$		Hz
Stop-Band Frequency			$0.547 \times \text{ODR}$		Hz
Stop-Band Attenuation		100			dB
REFERENCE INPUT					
$V_{REF+}$ Input Voltage		2.4		$2 \times AV_{DD}$	V
DIGITAL INPUTS (Logic Levels)					
Logic Low Voltage ( $V_{IL}$ )		-0.3		$+0.3 \times V_{DRIVE}$	V
Logic High Voltage ( $V_{IH}$ )		$0.7 \times V_{DRIVE}$		$V_{DRIVE} + 0.3$	V
Input Leakage Current				$\pm 1$	$\mu\text{A}/\text{pin}$
Input Capacitance			5		pF
Master Clock Rate				1.024	MHz
Serial Clock Rate				$1/t_8$	Hz
DIGITAL OUTPUTS					
Data Format	Serial 24 bits, twos complement (MSB first)				
Logic Low Voltage ( $V_{OL}$ )	Sink current ( $I_{SINK} = +500\ \mu\text{A}$ )			0.4	V
Logic High Voltage ( $V_{OH}$ )	Source current ( $I_{SOURCE} = -500\ \mu\text{A}$ )	$V_{DRIVE} - 0.3$			V

Parameter	Test Conditions/Comments	Min	Typ	Max	Unit
<b>POWER REQUIREMENTS</b>					
AV <sub>DD</sub>	±5%		2.5		V
DV <sub>DD</sub>	±5%		2.5		V
V <sub>DRIVE</sub>		1.7	2.5	3.6	V
<b>CURRENT SPECIFICATIONS</b>					
Operational Current		MCLK = 1.024 MHz		32 kHz output data rate	
Analog Quiescent Current (AI <sub>DD</sub> )			1.3	1.5	mA
Digital Quiescent Current (DI <sub>DD</sub> )			1.37	1.86	mA
Reference Current (I <sub>REF</sub> )			0.35	0.425	mA
Static Current with MCLK Stopped					
AI <sub>DD</sub>			0.9	1	mA
DI <sub>DD</sub>			1	93	μA
Power-Down Mode Current					
AI <sub>DD</sub>			0.1	6	μA
DI <sub>DD</sub>			1	93	μA
<b>POWER DISSIPATION</b>					
Operational Power	MCLK = 1.024 MHz 32 kHz output data rate		8.5	10.5	mW

**TIMING SPECIFICATIONS**

$AV_{DD} = DV_{DD} = 2.5 \text{ V} \pm 5\%$ ,  $V_{DRIVE} = 1.7 \text{ V}$  to  $3.6 \text{ V}$ ,  $V_{REF+} = 5 \text{ V}$ , common-mode input =  $V_{REF+}/2$ ,  $T_A = -40^\circ\text{C}$  ( $T_{MIN}$ ) to  $+105^\circ\text{C}$  ( $T_{MAX}$ ), unless otherwise noted. Sample tested during initial release to ensure compliance. All input signals are specified with rise time ( $t_R$ ) = fall time ( $t_F$ ) =  $5 \text{ ns}$  (10% to 90% of  $DV_{DD}$ ) and timed from a voltage level of  $1.7 \text{ V}$ .

**Table 3.**

Parameter	Limit at $t_{MIN}$ , $t_{MAX}$	Unit	Description
<b>DRDY OPERATION</b>			
$t_1$	510	ns typ	MCLK rising edge to $\overline{DRDY}$ falling edge
$t_2^1$	100	ns min	MCLK high pulse width
$t_3^1$	900	ns max	MCLK low pulse width
$t_4$	71	ns typ	MCLK rising edge to $\overline{DRDY}$ rising edge
$t_5$	492	ns typ	$\overline{DRDY}$ pulse width
$t_{READ}$	$t_{\overline{DRDY}} - t_5$	ns typ	$\overline{DRDY}$ low period, read data during this period
$t_{\overline{DRDY}}$	$32 \times t_{MCLK}$	ns typ	$\overline{DRDY}$ period
<b>READ OPERATION</b>			
$t_6$	0	ns min	$\overline{DRDY}$ falling edge to $\overline{CS}$ setup time
$t_7$	6	ns max	$\overline{CS}$ falling edge to SDO tristate disabled
$t_8$	60	ns max	Data access time after SCLK falling edge ( $V_{DRIVE} = 1.7 \text{ V}$ )
	50	ns max	Data access time after SCLK falling edge ( $V_{DRIVE} = 2.3 \text{ V}$ )
	25	ns max	Data access time after SCLK falling edge ( $V_{DRIVE} = 2.7 \text{ V}$ )
	24	ns max	Data access time after SCLK falling edge ( $V_{DRIVE} = 3.0 \text{ V}$ )
$t_9$	10	ns min	SCLK falling edge to data valid hold time ( $V_{DRIVE} = 3.6 \text{ V}$ )
$t_{10}$	10	ns min	SCLK high pulse width
$t_{11}$	10	ns min	SCLK low pulse width
$t_{SCLK}$	$1/t_8$	sec min	Minimum SCLK period (not shown in the timing figures)
$t_{12}$	6	ns max	Bus relinquish time after $\overline{CS}$ rising edge
$t_{13}$	0	ns min	$\overline{CS}$ rising edge to $\overline{DRDY}$ rising edge
<b>READ OPERATION WITH <math>\overline{CS}</math> LOW</b>			
$t_{14}$	0	ns min	$\overline{DRDY}$ falling edge to data valid setup time
$t_{15}$	0	ns max	$\overline{DRDY}$ rising edge to data valid hold time
<b>DAISY-CHAIN OPERATION</b>			
$t_{16}$	1	ns min	SDI valid to SCLK falling edge setup time
$t_{17}$	2	ns max	SCLK falling edge to SDI valid hold time
<b>SYNC/PD OPERATION</b>			
$t_{18}$	1	ns typ	$\overline{SYNC}/\overline{PD}$ falling edge to MCLK rising edge
$t_{19}$	20	ns typ	MCLK rising edge to $\overline{DRDY}$ rising edge going into $\overline{SYNC}/\overline{PD}$ mode
$t_{20}$	1	ns min	$\overline{SYNC}/\overline{PD}$ rising edge to MCLK rising edge
$t_{21}$	510	ns typ	MCLK rising edge to $\overline{DRDY}$ falling edge coming out of $\overline{SYNC}/\overline{PD}$ mode
$t_{SETTLING}$	2357	$t_{MCLK}$	Filter settling time (in MCLK periods) after a reset or power-down

<sup>1</sup>  $t_2$  and  $t_3$  allow a ~90% to 10% duty cycle to be used for the MCLK input, where the minimum is 10% for the clock high time and 90% for MCLK low time. The maximum MCLK frequency is 1.024 MHz.

Timing Diagrams

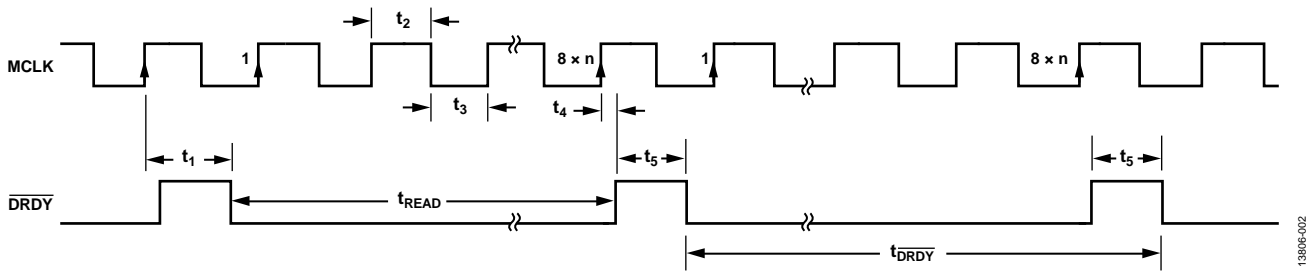


Figure 2.  $\overline{DRDY}$  vs. MCLK Timing Diagram,  $n = 4$  (Decimate by 32)

13806-002

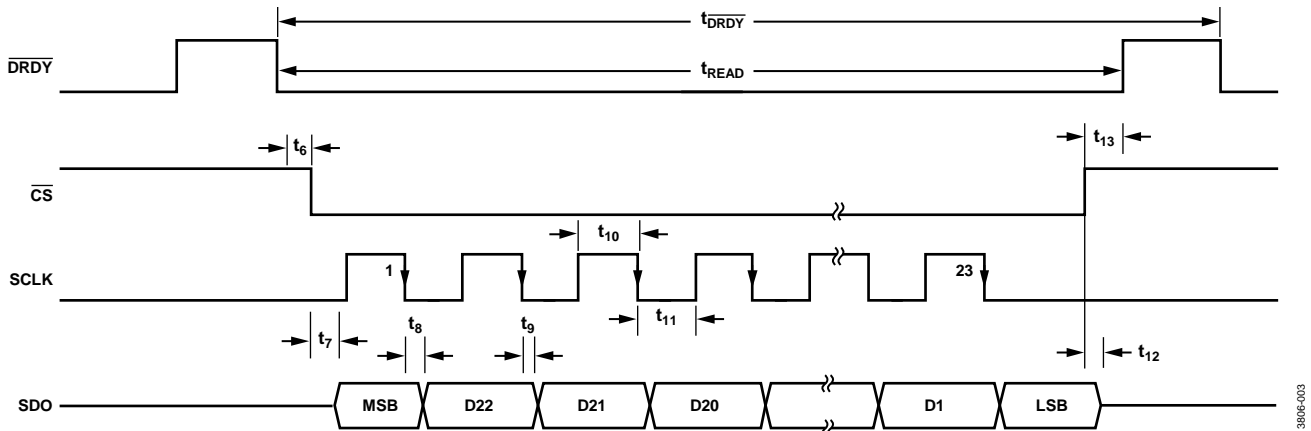


Figure 3. Serial Timing Diagram, Reading Data Using  $\overline{CS}$

13806-003

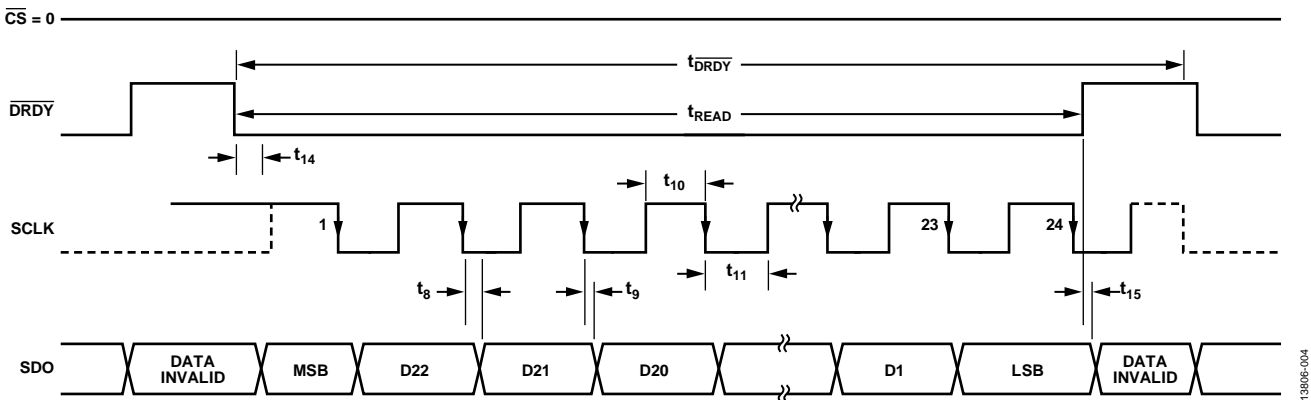


Figure 4. Serial Timing Diagram, Reading Data Setting  $\overline{CS}$  Logic Low

13806-004

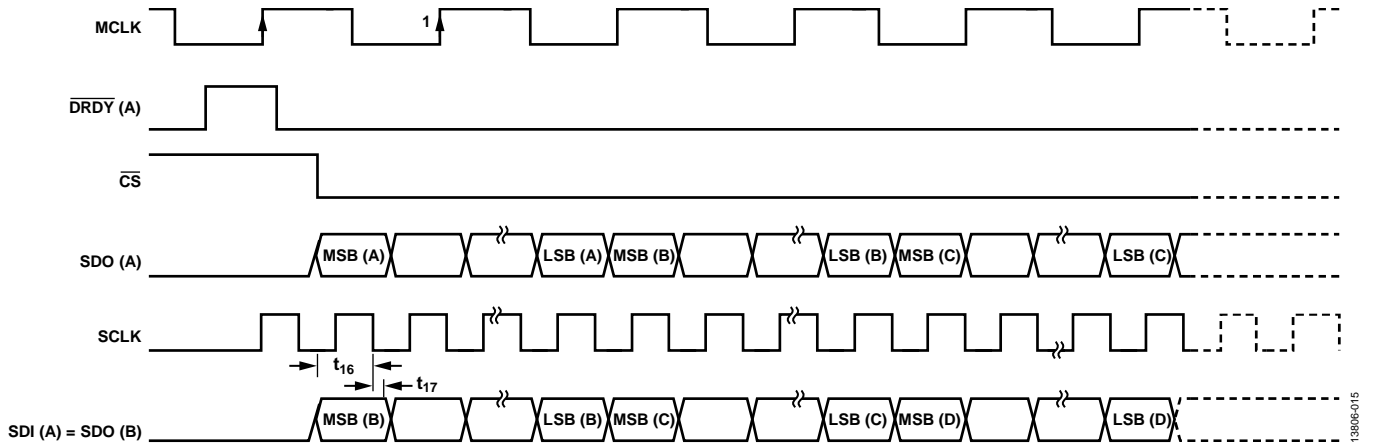


Figure 5. Daisy-Chain SDI Setup and Hold Timing

13806-015

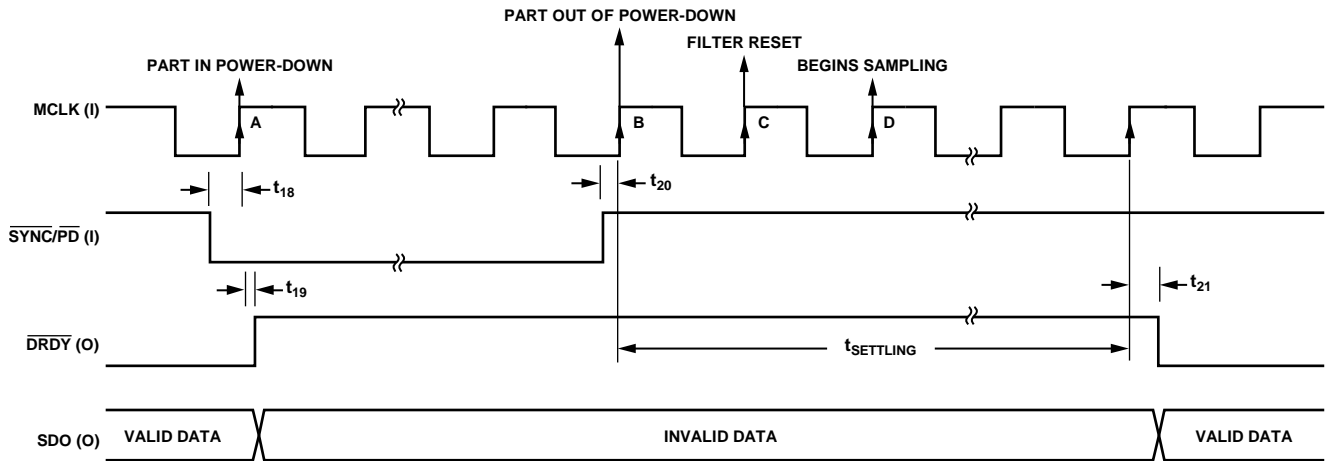


Figure 6. Reset, Synchronization, and Power-Down Timing

13806-005

## ABSOLUTE MAXIMUM RATINGS

Table 4.

Parameter	Rating
$AV_{DD}$ to AGND	-0.3 V to +3 V
$DV_{DD}$ to DGND	-0.3 V to +3 V
$AV_{DD}$ to $DV_{DD}$	-0.3 V to +0.3 V
$V_{REF+}$ to REFGND	-0.3 V to +7 V
REFGND to AGND	-0.3 V to +0.3 V
$V_{DRIVE}$ to DGND	-0.3 V to +6 V
$V_{IN+}$ , $V_{IN-}$ to AGND	-0.3 V to $V_{REF+} + 0.3$ V
Digital Inputs to DGND	-0.3 V to $V_{DRIVE} + 0.3$ V
Digital Outputs to DGND	-0.3 V to $V_{DRIVE} + 0.3$ V
AGND to DGND	-0.3 V to +0.3 V
Input Current to Any Pin Except Supplies <sup>1</sup>	±10 mA
Operating Temperature Range	-40°C to +105°C
Storage Temperature Range	-65°C to +150°C
Junction Temperature	150°C
Electrostatic Discharge (ESD)	1 kV

<sup>1</sup> Transient currents of up to 100 mA do not cause SCR latch-up.

Stresses at or above those listed under Absolute Maximum Ratings may cause permanent damage to the product. This is a stress rating only; functional operation of the product at these or any other conditions above those indicated in the operational section of this specification is not implied. Operation beyond the maximum operating conditions for extended periods may affect product reliability.

### ESD CAUTION



**ESD (electrostatic discharge) sensitive device.** Charged devices and circuit boards can discharge without detection. Although this product features patented or proprietary protection circuitry, damage may occur on devices subjected to high energy ESD. Therefore, proper ESD precautions should be taken to avoid performance degradation or loss of functionality.



## PIN CONFIGURATION AND FUNCTION DESCRIPTIONS

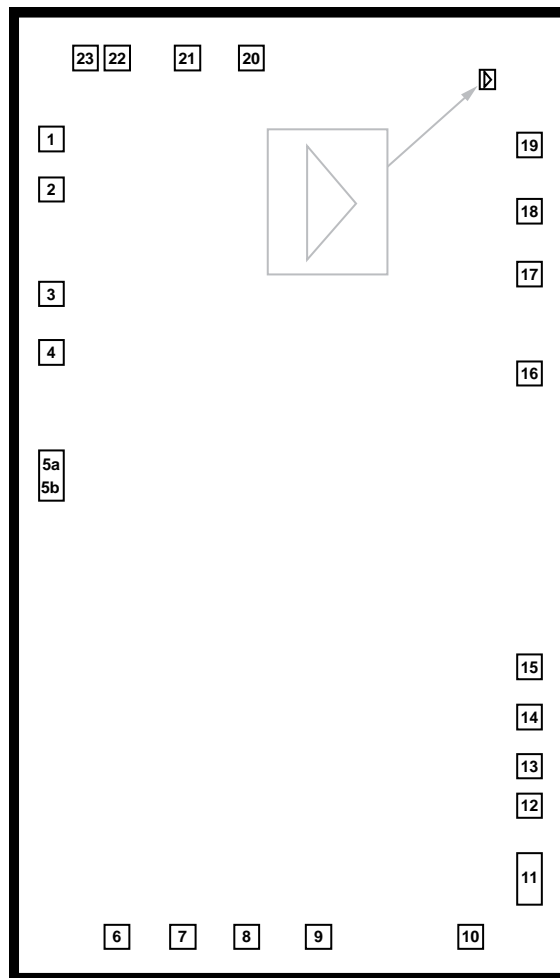


Figure 7. Pad Configuration

Table 5. Pad Function Descriptions

Pad No.	X-Axis ( $\mu\text{m}$ )	Y-Axis ( $\mu\text{m}$ )	Mnemonic	Pad Type	Description
1	-773	+1064	REFGND	Single	Reference Ground. Ground connection for the reference voltage. Decouple the input reference voltage ( $V_{\text{REF}+}$ ) to this pin.
2	-773	+916	REFGND	Single	Reference Ground. Ground connection for the reference voltage. Decouple the input reference voltage ( $V_{\text{REF}+}$ ) to this pin.
3	-773	+600	$V_{\text{IN}+}$	Single	Positive Input of the Differential Analog Input.
4	-773	+426	$V_{\text{IN}-}$	Single	Negative Input of the Differential Analog Input.
5a	-773	+93	AGND	Double	Power Supply Ground for Analog Circuitry.
5b	-773	+18	AGND	Double	Power Supply Ground for Analog Circuitry.
6	-561	-1326	$\overline{\text{SYNC}}/\overline{\text{PD}}$	Single	Synchronization ( $\overline{\text{SYNC}}$ ) Pin. The $\overline{\text{SYNC}}$ pin can synchronize multiple <a href="#">AD7766-2-KGD</a> devices. Power-Down Input Pin ( $\overline{\text{PD}}$ ). The $\overline{\text{PD}}$ pin puts the <a href="#">AD7766-2-KGD</a> device into power-down mode

Pad No.	X-Axis ( $\mu\text{m}$ )	Y-Axis ( $\mu\text{m}$ )	Mnemonic	Pad Type	Description
7	-353	-1319	DV <sub>DD</sub>	Single	Digital Power Supply Input, 2.5 V. In cases where a logic voltage of 2.5 V for interfacing is used (2.5 V applied to V <sub>DRIVE</sub> pin), the DV <sub>DD</sub> and V <sub>DRIVE</sub> pins can be connected to the same voltage supply rail.
8	-141	-1317	DV <sub>DD</sub>	Single	Digital Power Supply Input, 2.5 V. In cases where a logic voltage of 2.5 V for interfacing is used (2.5 V applied to V <sub>DRIVE</sub> pin), the DV <sub>DD</sub> and V <sub>DRIVE</sub> pins can be connected to the same voltage supply rail.
9	+105	-1340	V <sub>DRIVE</sub>	Single	Logic Power Supply Input, 1.8 V to 3.6 V. The voltage supplied at this pin determines the operating voltage of the digital logic interface.
10	+601	-1336	V <sub>DRIVE</sub>	Single	Logic Power Supply Input, 1.8 V to 3.6 V. The voltage supplied at this pin determines the operating voltage of the digital logic interface.
11	+799	-1161	SDO	Double	Serial Data Output. The conversion result from the AD7766-2-KGD is output on the SDO pin as a 24-bit, twos complement, MSB first, serial data stream.
12	+784	-944	DGND	Single	Digital Logic Power Supply Ground.
13	+784	-826	DGND	Single	Digital Logic Power Supply Ground.
14	+784	-677	DGND	Single	Digital Logic Power Supply Ground.
15	+800	-517	$\overline{\text{DRDY}}$	Single	Data Ready Output. A falling edge on the $\overline{\text{DRDY}}$ signal indicates that a new conversion data result is available in the output register of the AD7766-2-KGD.
16	+800	+363	SCLK	Single	Serial Clock Input. The SCLK input provides the serial clock for all serial data transfers with AD7766-2-KGD devices.
17	+800	+663	MCLK	Single	Master Clock Input. The sampling frequency of the AD7766-2-KGD is equal to the MCLK frequency.
18	+800	+850	SDI	Single	Serial Data Input. This pin is the daisy-chain input of the AD7766-2-KGD.
19	+800	+1051	$\overline{\text{CS}}$	Single	Chip Select Input. The $\overline{\text{CS}}$ input selects a specific AD7766-2-KGD device and acts as an enable on the SDO pin. In cases where $\overline{\text{CS}}$ is used, the MSB of the conversion result is clocked onto the SDO line on the $\overline{\text{CS}}$ falling edge. The $\overline{\text{CS}}$ input allows multiple AD7766-2-KGD devices to share the same SDO line. This function allows the user to select the appropriate device by supplying it with a logic low $\overline{\text{CS}}$ signal, which enables the SDO pin of the concerned device.
20	-125	+1319	AV <sub>DD</sub>	Single	Analog Power Supply, 2.5 V.
21	-333	+1319	AV <sub>DD</sub>	Single	Analog Power Supply, 2.5 V.
22	-561	+1317	V <sub>REF+</sub>	Single	Reference Input for the AD7766-2-KGD. Apply an external reference to this input pin. The V <sub>REF+</sub> input ranges from 2.4 V to 5 V. The reference voltage input is independent of the voltage magnitude applied to the AV <sub>DD</sub> pin.
23	-667	+1317	V <sub>REF+</sub>	Single	Reference Input for the AD7766-2-KGD. Apply an external reference to this input pin. The V <sub>REF+</sub> input ranges from 2.4 V to 5 V. The reference voltage input is independent of the voltage magnitude applied to the AV <sub>DD</sub> pin.

### OUTLINE DIMENSIONS

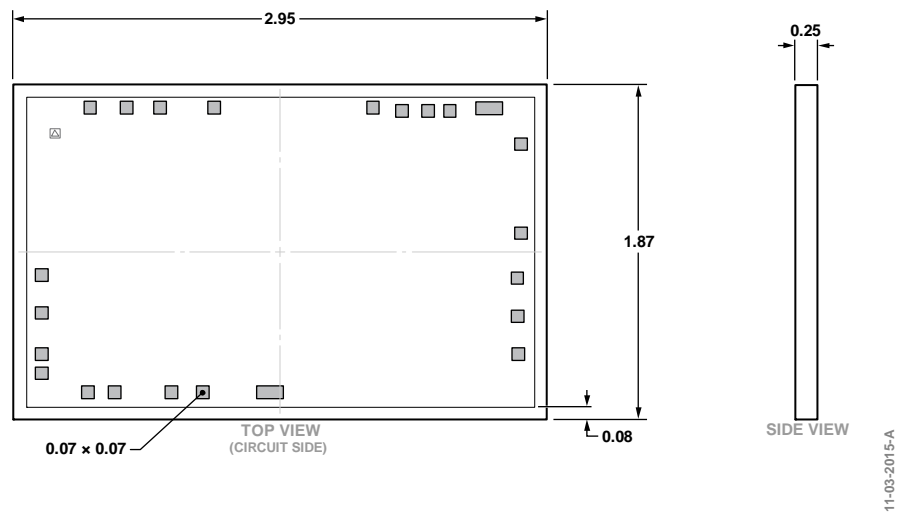


Figure 8. 23-Pad Bare Die [CHIP] (C-23-1)  
Dimensions shown in millimeters

### DIE SPECIFICATIONS AND ASSEMBLY RECOMMENDATIONS

Table 6. Die Specifications

Parameter	Value	Unit
Chip Size	2870 (x) × 1790 (y)	μm
Scribe Line Width	80 (x) × 80 (y)	μm
Die Size	2950 (x) × 1870 (y)	μm
Thickness	305	μm
Backside	Bare silicon	Not applicable
Passivation	Nitride	Not applicable
Bond Pads (Minimum)	70 × 70	μm
Bond Pad Composition	AlCu (0.5%)	%
ESD	1	kV

Table 7. Assembly Recommendations

Assembly Component	Recommendation
Die Attach	No special recommendations
Bonding Method	Gold ball or aluminum wedge
Bonding Sequence	Pad 1 and Pad 2 first

### ORDERING GUIDE

Model	Temperature Range	Package Description	Package Option
AD7766-2-KGD-WP	-40°C to +105°C	23-Pad Bare Die [CHIP], Waffle Pack	C-23-1

Компания «Life Electronics» занимается поставками электронных компонентов импортного и отечественного производства от производителей и со складов крупных дистрибьюторов Европы, Америки и Азии.

С конца 2013 года компания активно расширяет линейку поставок компонентов по направлению коаксиальный кабель, кварцевые генераторы и конденсаторы (керамические, пленочные, электролитические), за счёт заключения дистрибьюторских договоров

Мы предлагаем:

- Конкурентоспособные цены и скидки постоянным клиентам.
- Специальные условия для постоянных клиентов.
- Подбор аналогов.
- Поставку компонентов в любых объемах, удовлетворяющих вашим потребностям.
- Приемлемые сроки поставки, возможна ускоренная поставка.
- Доставку товара в любую точку России и стран СНГ.
- Комплексную поставку.
- Работу по проектам и поставку образцов.
- Формирование склада под заказчика.
- Сертификаты соответствия на поставляемую продукцию (по желанию клиента).
- Тестирование поставляемой продукции.
- Поставку компонентов, требующих военную и космическую приемку.
- Входной контроль качества.
- Наличие сертификата ISO.

В составе нашей компании организован Конструкторский отдел, призванный помогать разработчикам, и инженерам.

Конструкторский отдел помогает осуществить:

- Регистрацию проекта у производителя компонентов.
- Техническую поддержку проекта.
- Защиту от снятия компонента с производства.
- Оценку стоимости проекта по компонентам.
- Изготовление тестовой платы монтаж и пусконаладочные работы.



Тел: +7 (812) 336 43 04 (многоканальный)

Email: [org@lifeelectronics.ru](mailto:org@lifeelectronics.ru)