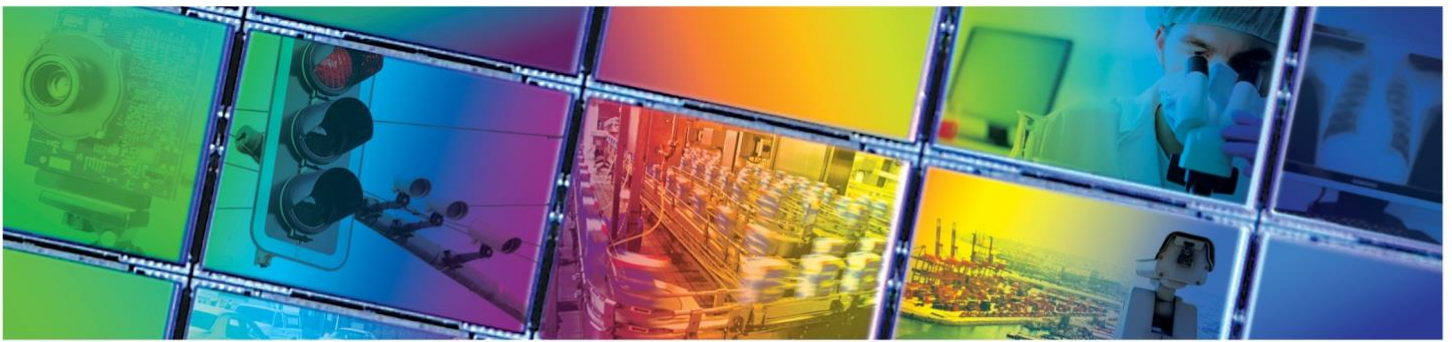


**ON Semiconductor**<sup>®</sup>



**KAF-1603 IMAGE SENSOR**

**1536 (H) X 1024 (V) FULL FRAME CCD IMAGE SENSOR**



**JUNE 18, 2014**

**DEVICE PERFORMANCE SPECIFICATION**

**REVISION 1.1 PS-0036**



## TABLE OF CONTENTS

<b>Summary Specification .....</b>	<b>4</b>
Description .....	4
Features .....	4
Application .....	4
<b>Ordering Information .....</b>	<b>5</b>
<b>Device Description .....</b>	<b>6</b>
Architecture .....	6
Dark Reference Pixels .....	7
Output Structure .....	7
Dummy Pixels .....	7
Image Acquisition .....	7
Charge Transport.....	7
Horizontal Register .....	8
Output Structure .....	8
Physical Description .....	9
Pin Description and Device Orientation .....	9
<b>Imaging Performance .....</b>	<b>10</b>
Typical Operational Conditions.....	10
Specifications.....	10
<b>Typical Performance Curves .....</b>	<b>11</b>
<b>Defect Definitions .....</b>	<b>12</b>
Operating Conditions .....	12
Specifications.....	12
<b>Operation.....</b>	<b>13</b>
Absolute Maximum Ratings .....	13
DC Bias Operating Conditions.....	14
AC Operating Conditions.....	14
Clock Levels .....	14
<b>Timing.....</b>	<b>15</b>
Requirements and Characteristics .....	15
Frame Timing .....	16
Line Timing (each Output).....	16
<b>Storage and Handling .....</b>	<b>17</b>
Storage Conditions.....	17
ESD .....	17
Cover Glass Care and Cleanliness .....	17
Environmental Exposure .....	17
Soldering Recommendations .....	17
<b>Mechanical Information .....</b>	<b>18</b>
Completed Assembly.....	18
<b>Quality Assurance and Reliability.....</b>	<b>20</b>
Quality and Reliability .....	20
Replacement.....	20
Liability of the Supplier .....	20
Liability of the Customer .....	20
Test Data Retention.....	20
Mechanical.....	20



**Life Support Applications Policy** .....20  
**Revision Changes**.....21  
    MTD/PS-0666..... 21  
    PS-0036 ..... 21

**TABLE OF FIGURES**

Figure 1: Block Diagram ..... 6  
Figure 2: Microlens Cross-Section..... 6  
Figure 3: Output Schematic ..... 8  
Figure 4: Output Structure Load Diagram ..... 8  
Figure 5: Pinout Diagram ..... 9  
Figure 6: Typical Spectral Response..... 11  
Figure 7: Active Pixel Region ..... 12  
Figure 8: Frame Timing..... 16  
Figure 9: Line Timing..... 16  
Figure 10: Timing Diagrams..... 16  
Figure 11: Completed Assembly (1 of 2)..... 18  
Figure 12: Completed Assembly (2 of 2)..... 19

## Summary Specification

### KAF-1603 Image Sensor

#### DESCRIPTION

The KAF-1603 Image Sensor is a high performance monochrome area CCD (charge-coupled device) image sensor with 1536 H x 1024 V photoactive pixels designed for a wide range of image sensing applications.

The sensor incorporates true two-phase CCD technology, simplifying the support circuits required to drive the sensor as well as reducing dark current without compromising charge capacity. The sensor also utilizes the TRUESENSE Transparent Gate Electrode to improve sensitivity compared to the use of a standard front side illuminated polysilicon electrode.

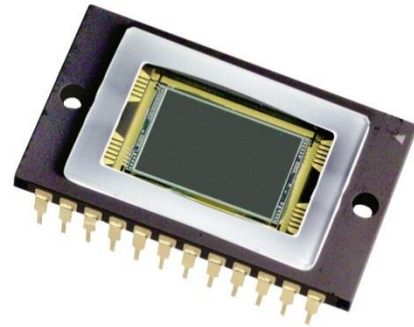
Optional microlenses focus the majority of the light through the transparent gate, increasing the optical response further.

#### FEATURES

- True Two Phase Full Frame Architecture
- TRUESENSE Transparent Gate Electrode for high sensitivity

#### APPLICATION

- Scientific Imaging



Parameter	Typical Value
Architecture	Full Frame CCD
Total Number of Pixels	1552 (H) x 1032 (V)
Number of Active Pixels	1536 (H) x 1024 (V) = approx. 1.6 M
Pixel Size	9.0 $\mu\text{m}$ (H) x 9.0 $\mu\text{m}$ (V)
Active Image Size	13.8 mm (H) x 9.2 mm (V)
Die Size	15.5 mm (H) x 10 mm (V)
Aspect Ratio	3:2
Saturation Signal	100,000 electrons
Output Sensitivity	10 $\mu\text{V}/e^-$
Quantum Efficiency (with microlens)	Peak: 77% 400 nm: 45%
Quantum Efficiency (no microlens)	Peak: 65% 400 nm: 30%
Read Noise	15 electrons
Dark Current (T = 25 °C)	<10 pA/cm <sup>2</sup>
Dark Current Doubling Temperature	6.3 °C
Dynamic Range	74 dB
Charge Transfer Efficiency	>0.99999
Blooming Suppression	None
Maximum Data Rate	10 MHz
Package	CERDIP Package (sidebrazed)
Cover Glass	Clear or AR coated, 2sides

Parameters above are specified at 25 °C, unless otherwise noted.



## Ordering Information

Catalog Number	Product Name	Description	Marking Code
4H0217	KAF-1603-ABA-CD-B2	Monochrome, Telecentric Microlens, CERDIP Package (sidebrazed), Clear Cover Glass with AR coating (both sides), Grade 2	KAF-1603-ABA [Serial Number]
4H0219	KAF-1603-ABA-CD-AE	Monochrome, Telecentric Microlens, CERDIP Package (sidebrazed), Clear Cover Glass with AR coating (both sides), Engineering Sample	
4H0222	KAF-1603-ABA-CP-B2	Monochrome, Telecentric Microlens, CERDIP Package (sidebrazed), Taped Clear Cover Glass, no coatings, Grade 2	
4H0223	KAF-1603-ABA-CP-B3	Monochrome, Telecentric Microlens, CERDIP Package (sidebrazed), Taped Clear Cover Glass, no coatings, Grade 3	
4H0224	KAF-1603-ABA-CP-AE	Monochrome, Telecentric Microlens, CERDIP Package (sidebrazed), Taped Clear Cover Glass, no coatings, Engineering Sample	
4H0337	KAF-1603-AAA-CP-B2	Monochrome, No Microlens, CERDIP Package (sidebrazed), Taped Clear Cover Glass, no coatings, Grade 2	KAF-1603-AAA [Serial Number]
4H0339	KAF-1603-AAA-CP-AE	Monochrome, No Microlens, CERDIP Package (sidebrazed), Taped Clear Cover Glass, no coatings, Engineering Sample	
4H0078	KEK-4H0078-KAF-1602/1603-12-5	Evaluation Board (Complete Kit)	N/A

See Application Note *Product Naming Convention* for a full description of the naming convention used for image sensors. For reference documentation, including information on evaluation kits, please visit our web site at [www.truesenseimaging.com](http://www.truesenseimaging.com).

Please address all inquiries and purchase orders to:

Truesense Imaging, Inc.  
1964 Lake Avenue  
Rochester, New York 14615

Phone: (585) 784-5500  
E-mail: [info@truesenseimaging.com](mailto:info@truesenseimaging.com)

ON Semiconductor reserves the right to change any information contained herein without notice. All information furnished by ON Semiconductor is believed to be accurate.

## Device Description

### ARCHITECTURE

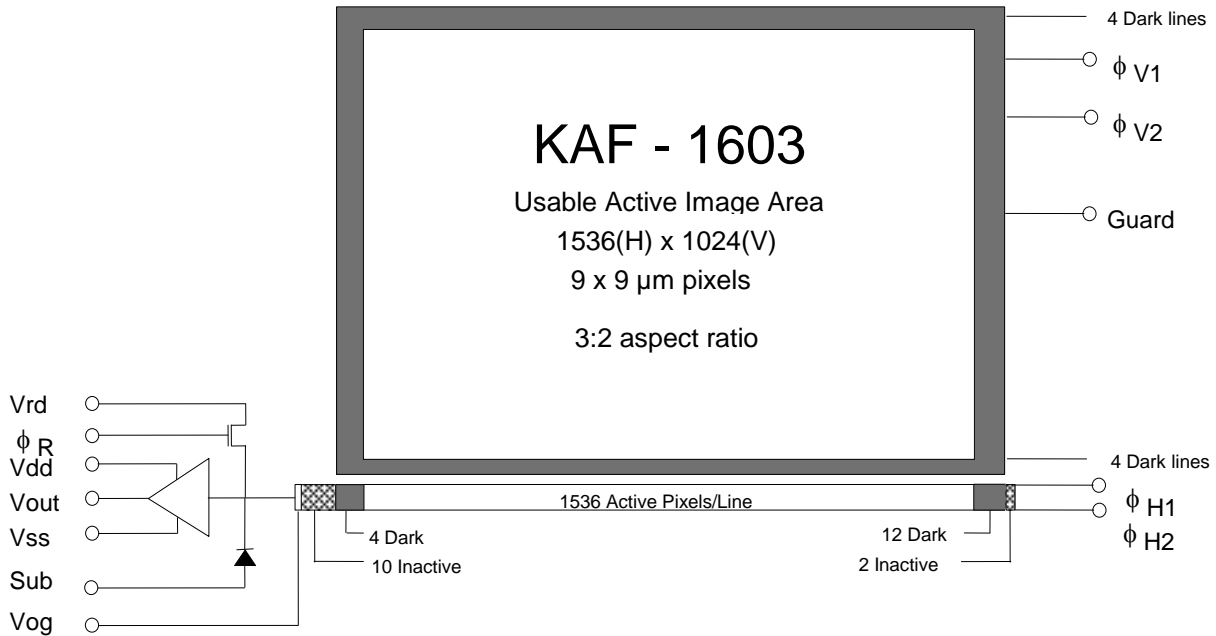


Figure 1: Block Diagram

The sensor consists of 1552 parallel (vertical) CCD shift registers each 1032 elements long. These registers act as both the photosensitive elements and as the transport circuits that allow the image to be sequentially read out of the sensor. The parallel (vertical) CCD registers transfer the image one line at a time into a single 1564 element (horizontal) CCD shift register. The horizontal register transfers the charge to a single output amplifier. The output amplifier is a two-stage source follower that converts the photo-generated charge to a voltage for each pixel.

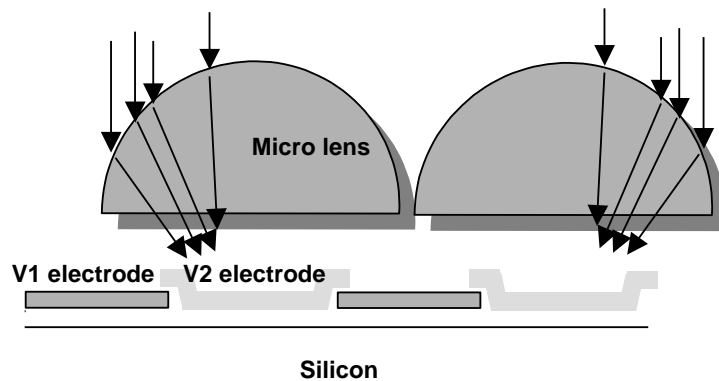


Figure 2: Microlens Cross-Section

Micro lenses are formed along each row. They are effectively half of a cylinder centered on the transparent gates, extending continuously in the row direction. They act to direct the photons away from the polysilicon gate and through the transparent gate. This increases the response, especially at the shorter wavelengths (< 600 nm).



## Dark Reference Pixels

There are 4 light shielded pixels at the beginning of each line, and 12 at the end. There are 4 dark lines at the start of every frame and 4 dark lines at the end of each frame. Under normal circumstances, these pixels do not respond to light. However, dark reference pixels in close proximity to an active pixel can scavenge signal depending on light intensity and wavelength and therefore will not represent the true dark signal.

## Output Structure

Charge presented to the floating diffusion is converted into a voltage and current amplified in order to drive off-chip loads. The resulting voltage change seen at the output is linearly related to the amount of charge placed on the floating diffusion. Once the signal has been sampled by the system electronics, the reset gate ( $\phi_R$ ) is clocked to remove the signal, and the floating diffusion is reset to the potential applied by  $V_{rd}$  (see Figure 3). More signal at the floating diffusion reduces the voltage seen at the output pin. In order to activate the output structure, an off-chip load must be added to the  $V_{out}$  pin of the device such as shown in Figure 4.

## Dummy Pixels

Within the horizontal shift register are 10 leading additional pixels that are not associated with a column of pixels within the vertical register. These pixels contain only horizontal shift register dark current signal and do not respond to light. A few leading dummy pixels may scavenge false signal depending on operating conditions. There are two more dummy pixels at the end of each line

## IMAGE ACQUISITION

An electronic representation of an image is formed when incident photons falling on the sensor plane create electron-hole pairs within the sensor. These photon-induced electrons are collected locally by the formation of potential wells at each photogate or pixel site. The number of electrons collected is linearly dependent on light level and exposure time and non-linearly dependent on wavelength. When the pixel's capacity is reached, excess electrons will leak into the adjacent pixels within the same column. This is termed blooming. During the integration period, the  $\phi_{V1}$  and  $\phi_{V2}$  register clocks are held at a constant (low) level, and the sensor is illuminated. See Figure 8. The sensor must be illuminated only during the integration period. Light must not reach the sensor during the time the image is read out. This is usually accomplished with the use of a mechanical shutter or a pulsed light source.

## CHARGE TRANSPORT

Referring to Figure 9, the integrated charge from each photogate is transported to the output using a two-step process. During this readout time, the sensor needs to be protected from all light through the use of a shutter or pulsed light source. Each line (row) of charge is first moved from the vertical CCD to the horizontal CCD register using the  $\phi_{V1}$  and  $\phi_{V2}$  register clocks. The horizontal CCD is presented a new line on the falling edge of  $\phi_{V2}$  while  $\phi_{H1}$  is held high. The horizontal CCD then transports each line, pixel by pixel, to the output structure by alternately clocking the  $\phi_{H1}$  and  $\phi_{H2}$  pins in a complementary fashion. On each falling edge of  $\phi_{H2}$  a new charge packet is transferred onto a floating diffusion and sensed by the output amplifier.



## HORIZONTAL REGISTER

### Output Structure

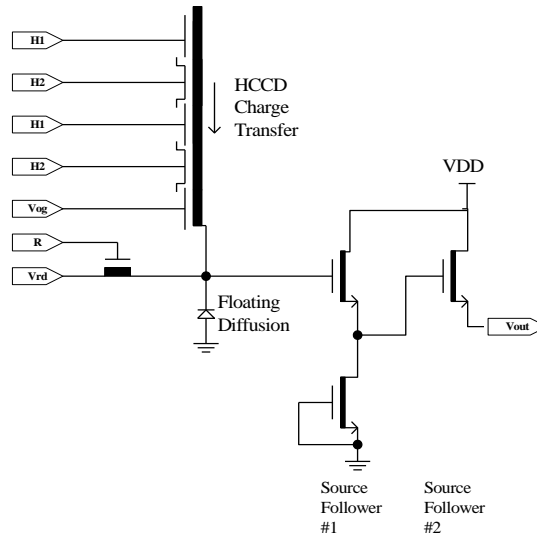


Figure 3: Output Schematic

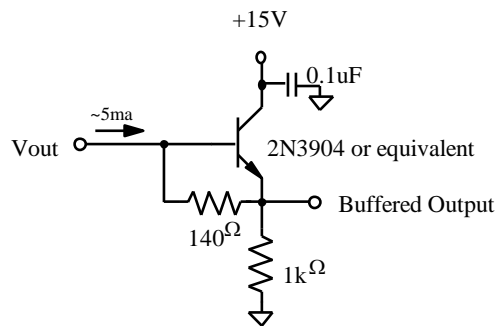


Figure 4: Output Structure Load Diagram





## PHYSICAL DESCRIPTION

### Pin Description and Device Orientation

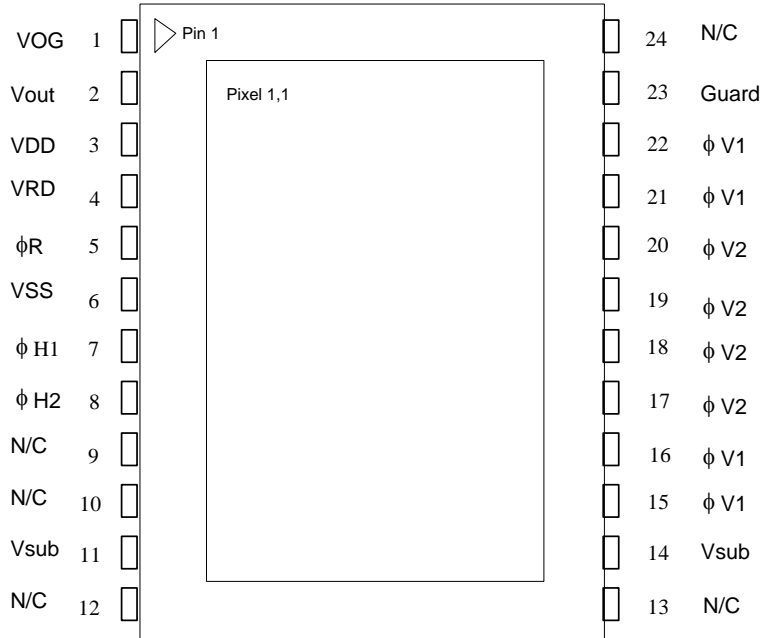


Figure 5: Pinout Diagram

Notes:

1. The KAF-1603 is mechanically the same and electrically identical to the KAF-0402 sensor. It is also mechanically the same as the KAF-0261 and KAF-3200 sensors. There are some electrical differences since the KAF-0261 has two outputs and two additional clock inputs. The KAF-3200 requires that pin 11 be a "No connect" and be electrically floating. Refer to their specifications for details.

Pin	Name	Description
1	Vog	Output Gate
2	Vout	Video Output
3	Vdd	Amplifier Supply
4	Vrd	Reset Drain
5	$\phi$ R	Reset Clock
6	Vss	Amplifier Supply Return
7	$\phi$ H1	Horizontal CCD Clock - Phase 1
8	$\phi$ H2	Horizontal CCD Clock - Phase 2
9	N/C	No Connection (open pin)
10	N/C	No Connection (open pin)
11	Vsub	Substrate (Ground)
12	N/C	No Connection (open pin)

Pin	Name	Description
13	N/C	No Connection (open pin)
14	Vsub	Substrate (Ground)
15	$\phi$ V1	Vertical CCD Clock - Phase 1
16	$\phi$ V1	Vertical CCD Clock - Phase 1
17	$\phi$ V2	Vertical CCD Clock - Phase 2
18	$\phi$ V2	Vertical CCD Clock - Phase 2
19	$\phi$ V2	Vertical CCD Clock - Phase 2
20	$\phi$ V2	Vertical CCD Clock - Phase 2
21	$\phi$ V1	Vertical CCD Clock - Phase 1
22	$\phi$ V1	Vertical CCD Clock - Phase 1
23	Guard	Guard Ring
24	N/C	No Connection (open pin)



## Imaging Performance

### TYPICAL OPERATIONAL CONDITIONS

All values measured at 25 °C, and nominal operating conditions. These parameters exclude defective pixels.

### SPECIFICATIONS

Description	Symbol	Min.	Nom.	Max	Units	Notes	Verification Plan
Saturation Signal Vertical CCD capacity Horizontal CCD capacity Output Node capacity	Nsat	85000 170000 190000	100000 200000 220000	240000	electrons/pixel	1	design <sup>9</sup>
Quantum Efficiency (microlens) Quantum Efficiency (no microlens)				77% 65%	%QE		design <sup>9</sup>
Photoresponse Non-Linearity	PRNL		1.0	2.0	%	2	design <sup>9</sup>
Photoresponse Non-Uniformity	PRNU		0.8		%	3	die <sup>8</sup>
Dark Signal	Jdark		10 2	50 10	electrons/pixel/sec pA/cm <sup>2</sup>	4	die <sup>8</sup>
Dark Signal Doubling Temperature			6.3	7	°C		design <sup>9</sup>
Dark Signal Non-Uniformity	DSNU		10	50	electrons/pixel/sec	5	die <sup>8</sup>
Dynamic Range	DR	72	74		DB	6	design <sup>9</sup>
Charge Transfer Efficiency	CTE	0.99997	0.99999				die <sup>8</sup>
Output Amplifier DC Offset	Vodc	Vrd	Vrd + 0.5	Vrd + 1.0	V		die <sup>8</sup>
Output Amplifier Sensitivity	Vout/Ne <sup>-</sup>	9	10		μV/e <sup>-</sup>		design <sup>9</sup>
Output Amplifier Output Impedance	Zout	180	200	220	Ohms		design <sup>9</sup>
Noise Floor	ne <sup>-</sup>		15	20	electrons	7	die <sup>8</sup>

#### Notes:

- For pixel binning applications, electron capacity up to 330000 can be achieved with modified CCD inputs. Each sensor may have to be optimized individually for these applications. Some performance parameters may be compromised to achieve the largest signals.
- Worst-case deviation from straight line fit, between 2% and 90% of Vsat.
- One Sigma deviation of a 128 x 128 sample when CCD illuminated uniformly at half of saturation.
- Average of all pixels with no illumination at 25 °C
- Average dark signal of any of 11 x 8 blocks within the sensor (each block is 128 x 128 pixels).
- 20log (Nsat / ne<sup>-</sup>) at nominal operating frequency and 25 °C.
- Noise floor is specified at the nominal pixel frequency and excludes any dark or pattern noises. It is dominated by the output amplifier power spectrum with a bandwidth = 5 \* pixel rate.
- A parameter that is measured on every sensor during production testing.
- A parameter that is quantified during the design verification activity.



### Typical Performance Curves

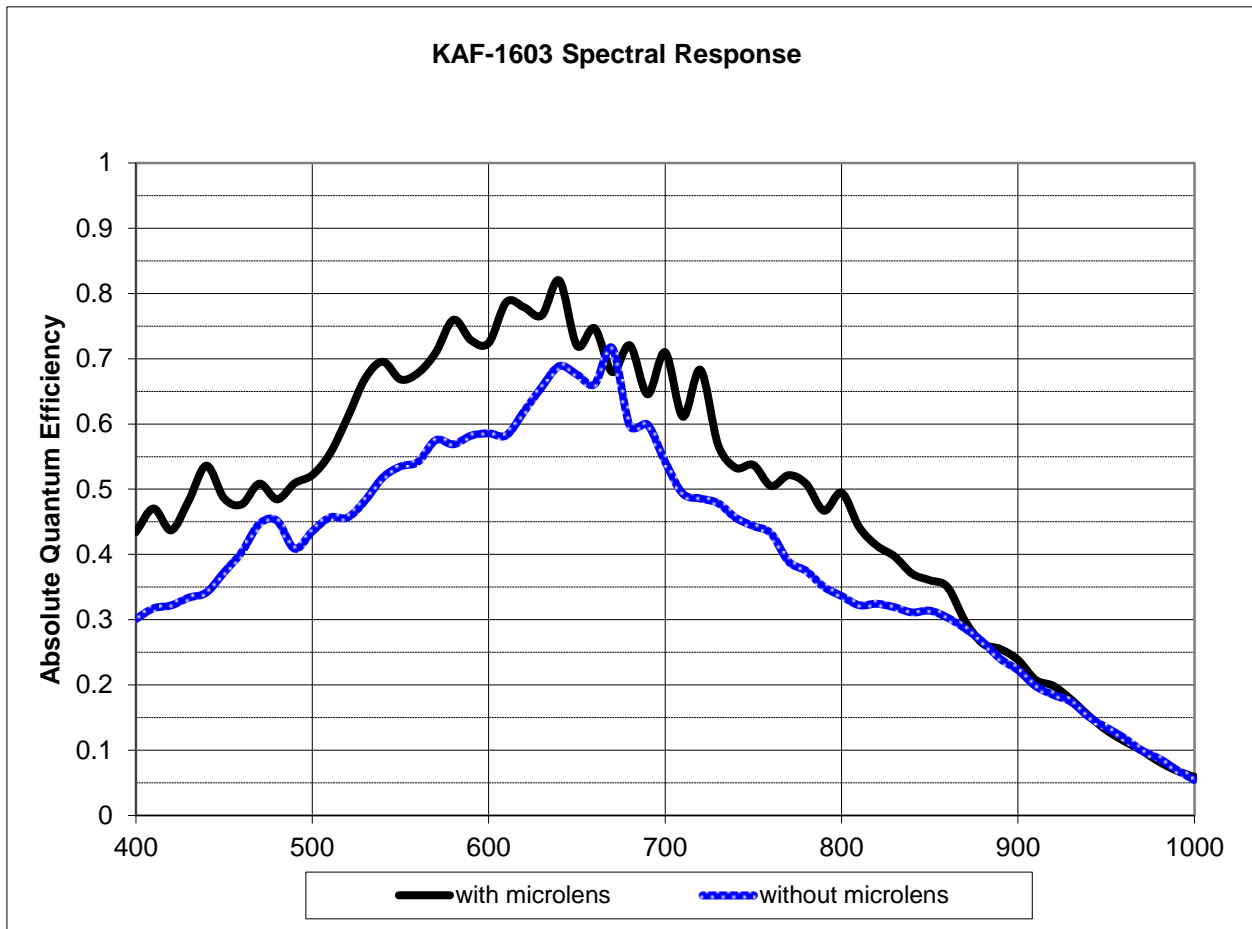


Figure 6: Typical Spectral Response



## Defect Definitions

### OPERATING CONDITIONS

All tests performed at T = 25 °C

### SPECIFICATIONS

Classification	Point Defect		Cluster Defect		Column Defect	
	Total	Zone A	Total	Zone A	Total	Zone A
C2	≤10	≤5	≤4	≤2	0	0

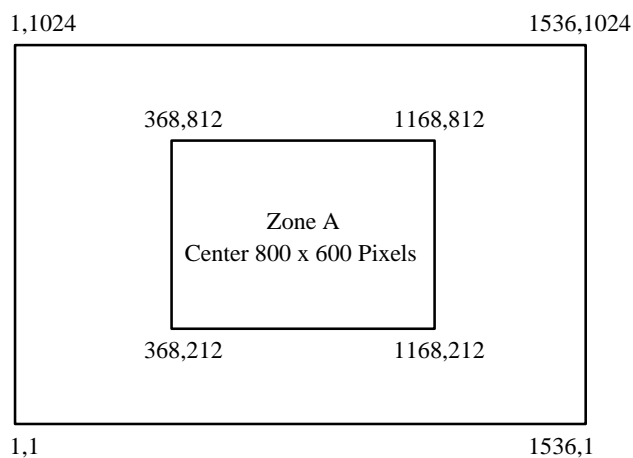


Figure 7: Active Pixel Region

#### Point Defects

**Dark:** A pixel that deviates by more than 6% from neighboring pixels when illuminated to 70% of saturation.

-- OR --

**Bright:** A pixel with a dark current greater than 5000 e<sup>-</sup>/pixel/sec at 25 °C.

#### Cluster Defect

A grouping of not more than 5 adjacent point defects.

#### Column Defect

A grouping of more than 5 contiguous point defects along a single column.

A column containing a pixel with dark current greater than 12,000 e<sup>-</sup>/pixel/sec (bright column).

A column that does not meet the minimum vertical CCD charge capacity (low charge capacity column).

A column which loses more than 250 e<sup>-</sup> under 2 ke<sup>-</sup> illumination (trap defect).

#### Neighboring Pixels

The surrounding 128 x 128 pixels or ± 64 column/rows.

#### Defect Separation

Column and cluster defects are separated by no less than two (2) pixels in any direction (excluding single pixel defects).



## Operation

### ABSOLUTE MAXIMUM RATINGS

Description	Symbol	Minimum	Maximum	Units	Notes
Diode Pin Voltages	V <sub>diode</sub>	0	20	V	1, 2
Gate Pin Voltages	V <sub>gate1</sub>	-16	16	V	1, 3, 6
Output Bias Current	I <sub>out</sub>		-10	mA	4
Output Load Capacitance	C <sub>load</sub>		15	pF	4
Storage Temperature	T	-20	80	°C	
Humidity	RH	5	90	%	5

#### Notes:

1. Referenced to pin V<sub>sub</sub> or between each pin in this group.
2. Includes pins: V<sub>rd</sub>, V<sub>dd</sub>, V<sub>ss</sub>, V<sub>out</sub>.
3. Includes pins:  $\phi V1$ ,  $\phi V2$ ,  $\phi H1$ ,  $\phi H2$ , V<sub>og</sub>, V<sub>lg</sub>,  $\phi R$ .
4. Avoid shorting output pins to ground or any low impedance source during operation.
5. T = 25 °C. Excessive humidity will degrade MTTF.
6. This sensor contains gate protection circuits to provide some protection against ESD events. The circuits will turn on when greater than 16 volts appears between any two gate pins. Permanent damage can result if excessive current is allowed to flow under these conditions.



## DC BIAS OPERATING CONDITIONS

Description	Symbol	Minimum	Nominal	Maximum	Units	Maximum DC Current (mA)	Notes
Reset Drain	Vrd	10.5	11.0	11.5	V	0.01	
Output Amplifier Return	Vss	1.5	2.0	2.5	V	-0.5	
Output Amplifier Supply	Vdd	14.5	15	15.5	V	Iout	
Substrate	Vsub	0	0	0	V	0.01	
Output Gate	Vog	3.75	4	5	V	0.01	
Guard Ring	Vlg	8.0	9.0	12.0	V	0.01	
Video Output Current	Iout		-5	-10	mA	-	1

Note:

1. An output load sink must be applied to Vout to activate output amplifier - see Figure 4.

## AC OPERATING CONDITIONS

### Clock Levels

Description	Symbol	Level	Minimum	Nominal	Maximum	Units	Effective Capacitance
Vertical CCD Clock - Phase 1	$\phi V1$	Low	-10.5	-10.0	-9.5	V	6 nF (all $\phi V1$ pins)
Vertical CCD Clock - Phase 1	$\phi V1$	High	0	0.5	1.0	V	6 nF (all $\phi V1$ pins)
Vertical CCD Clock - Phase 2	$\phi V2$	Low	-10.5	-10.0	-9.5	V	6 nF (all $\phi V2$ pins)
Vertical CCD Clock - Phase 2	$\phi V2$	High		0.5	1.0	V	6 nF (all $\phi V2$ pins)
Horizontal CCD Clock - Phase 1	$\phi H1$	Low	-4.5	-4.0	-3.5	V	50 pF
Horizontal CCD Clock - Phase 1	$\phi H1$	Amplitude	9.5	10.0	10.5	V	50 pF
Horizontal CCD Clock - Phase 2	$\phi H2$	Low	-4.5	-4.0	-3.5	V	50 pF
Horizontal CCD Clock - Phase 2	$\phi H2$	Amplitude	9.5	10.0	10.5	V	50 pF
Reset Clock	$\phi R$	Low	-3.0	-2.0	-1.75	V	50 pF
Reset Clock	$\phi R$	Amplitude	5.0	6.0	7.0	V	50 pF

Notes:

1. All pins draw less than 10  $\mu A$  DC current.
2. Capacitance values relative to VSUB.



## Timing

### REQUIREMENTS AND CHARACTERISTICS

Description	Symbol	Minimum	Nominal	Maximum	Units	Notes
$\phi$ H1, $\phi$ H2 Clock Frequency	$f_{\text{H}}$		4250	10	MHz	1, 2, 3
Pixel Period (I count)	$t_e$	100	1		ns	
$\phi$ H1, $\phi$ H2 Setup Time	$t_{\phi\text{HS}}$	0.5	5		$\mu\text{s}$	
$\phi$ V1, $\phi$ V2 Clock Pulse Width	$t_{\phi\text{V}}$	4	20		$\mu\text{s}$	2
Reset Clock Width	$t_{\phi\text{R}}$	10	420		ns	4
Readout Time	$t_{\text{readout}}$	178			ms	5
Integration Time	$t_{\text{int}}$		407			6
Line Time	$t_{\text{line}}$	172.4			$\mu\text{s}$	7

#### Notes:

1. 50% duty cycle values.
2. CTE may degrade above the nominal frequency.
3. Rise and fall times (10/90% levels) should be limited to 5-10% of clock period. Cross-over of register clocks should be between 40-60% of amplitude.
4.  $\phi$ R should be clocked continuously.
5.  $t_{\text{readout}} = (1032 * t_{\text{line}})$ .
6. Integration time is user specified. Longer integration times will degrade noise performance due to dark signal fixed pattern and shot noise.
7.  $t_{\text{line}} = (3 * t_{\phi\text{V}}) + t_{\phi\text{HS}} + (1564 * t_e) + t_e$ .



### FRAME TIMING

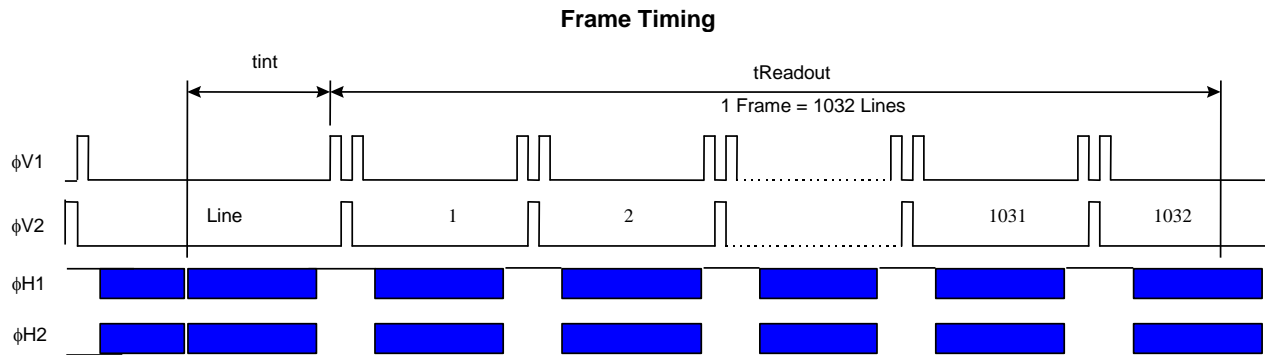


Figure 8: Frame Timing

### LINE TIMING (EACH OUTPUT)

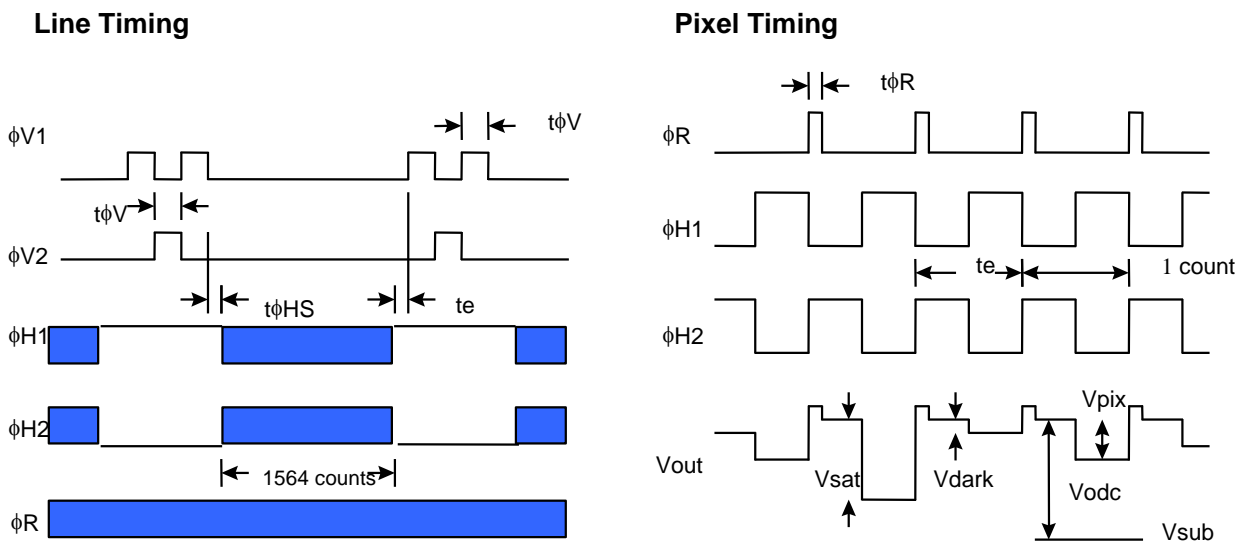


Figure 9: Line Timing

#### Line Content



- Vsat Saturated pixel video output
  - Vdark Video output signal in no light situation, (Not zero due to Jdark and Hclock feedthrough)
  - Vpix Pixel video output signal level, more electrons =less positive\*
  - Vodc Video level offset with respect to vsub
  - Vsub Analog Ground
- \* See Image Acquisition section

Figure 10: Timing Diagrams





## Storage and Handling

### STORAGE CONDITIONS

Description	Symbol	Minimum	Maximum	Units	Notes
Storage Temperature	T <sub>ST</sub>	-20	80	°C	1
Operating Temperature	T <sub>OP</sub>	-60	60	°C	

#### Notes:

1. Storage toward the maximum temperature will accelerate color filter degradation.

### ESD

1. This device contains limited protection against Electrostatic Discharge (ESD). ESD events may cause irreparable damage to a CCD image sensor either immediately or well after the ESD event occurred. Failure to protect the sensor from electrostatic discharge may affect device performance and reliability.
2. Devices should be handled in accordance with strict ESD procedures for Class 0 (<250 V per JESD22 Human Body Model test), or Class A (<200 V JESD22 Machine Model test) devices. Devices are shipped in static-safe containers and should only be handled at static-safe workstations.
3. See Application Note *Image Sensor Handling Best Practices* for proper handling and grounding procedures. This application note also contains workplace recommendations to minimize electrostatic discharge.
4. Store devices in containers made of electro-conductive materials.

### COVER GLASS CARE AND CLEANLINESS

1. The cover glass is highly susceptible to particles and other contamination. Perform all assembly operations in a clean environment.
2. Touching the cover glass must be avoided.

3. Improper cleaning of the cover glass may damage these devices. Refer to Application Note *Image Sensor Handling Best Practices*.

### ENVIRONMENTAL EXPOSURE

1. Extremely bright light can potentially harm CCD image sensors. Do not expose to strong sunlight for long periods of time, as the color filters and/or microlenses may become discolored. In addition, long time exposures to a static high contrast scene should be avoided. Localized changes in response may occur from color filter/microlens aging. For Interline devices, refer to Application Note *Using Interline CCD Image Sensors in High Intensity Visible lighting Conditions*.
2. Exposure to temperatures exceeding maximum specified levels should be avoided for storage and operation, as device performance and reliability may be affected.
3. Avoid sudden temperature changes.
4. Exposure to excessive humidity may affect device characteristics and may alter device performance and reliability, and therefore should be avoided.
5. Avoid storage of the product in the presence of dust or corrosive agents or gases, as deterioration of lead solderability may occur. It is advised that the solderability of the device leads be assessed after an extended period of storage, over one year.

### SOLDERING RECOMMENDATIONS

1. The soldering iron tip temperature is not to exceed 370 °C. Higher temperatures may alter device performance and reliability.
2. Flow soldering method is not recommended. Solder dipping can cause damage to the glass and harm the imaging capability of the device. Recommended method is by partial heating using a grounded 30 W soldering iron. Heat each pin for less than 2 seconds duration.



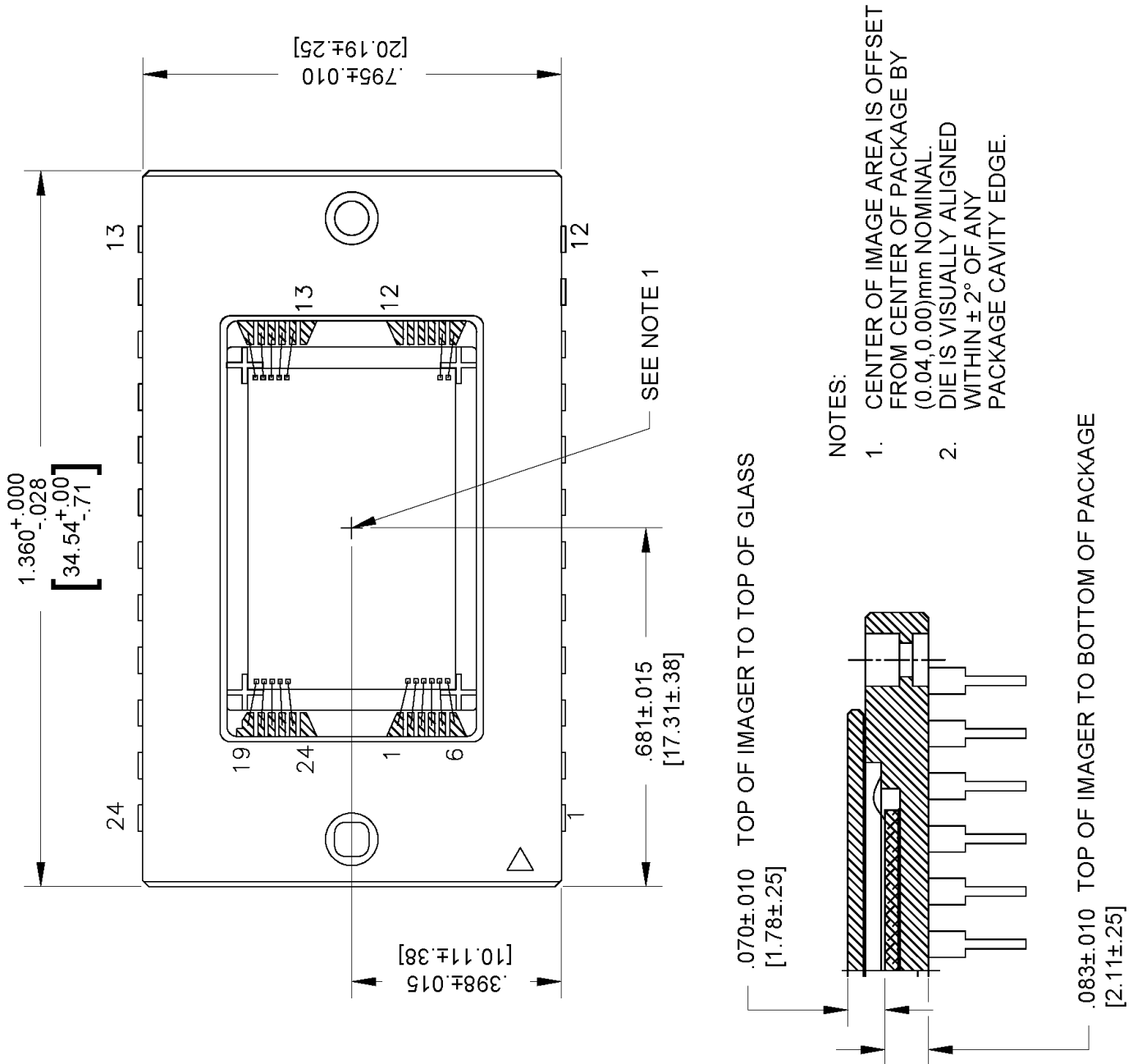


Figure 12: Completed Assembly (2 of 2)



## Quality Assurance and Reliability

### QUALITY AND RELIABILITY

All image sensors conform to the specifications stated in this document. This is accomplished through a combination of statistical process control and visual inspection and electrical testing at key points of the manufacturing process, using industry standard methods. Information concerning the quality assurance and reliability testing procedures and results are available from ON Semiconductor upon request. For further information refer to Application Note *Quality and Reliability*.

### REPLACEMENT

All devices are warranted against failure in accordance with the *Terms of Sale*. Devices that fail due to mechanical and electrical damage caused by the customer will not be replaced.

### LIABILITY OF THE SUPPLIER

A reject is defined as an image sensor that does not meet all of the specifications in this document upon receipt by the customer. Product liability is limited to the cost of the defective item, as defined in the *Terms of Sale*.

### LIABILITY OF THE CUSTOMER

Damage from mishandling (scratches or breakage), electrostatic discharge (ESD), or other electrical misuse of the device beyond the stated operating or storage limits, which occurred after receipt of the sensor by the customer, shall be the responsibility of the customer.

### TEST DATA RETENTION

Image sensors shall have an identifying number traceable to a test data file. Test data shall be kept for a period of 2 years after date of delivery.

### MECHANICAL

The device assembly drawing is provided as a reference.

ON Semiconductor reserves the right to change any information contained herein without notice. All information furnished by ON Semiconductor is believed to be accurate.

## Life Support Applications Policy

ON Semiconductor image sensors are not authorized for and should not be used within Life Support Systems without the specific written consent of ON Semiconductor.




## Revision Changes

### MTD/PS-0666

Revision Number	Description of Changes
1.0	<ul style="list-style-type: none"> <li>Initial Release.</li> </ul>
2.0	<ul style="list-style-type: none"> <li>Remove Grade 3 device option (p9).</li> <li>Add cover glass configurations (p15).</li> <li>Update ESD (p10) and Cleanliness (p14) sections.</li> </ul>
3.0	<ul style="list-style-type: none"> <li>Updated format. Removed part numbers.</li> </ul>
3.1	<ul style="list-style-type: none"> <li>Correct table headings (p.14).</li> </ul>
3.2	<ul style="list-style-type: none"> <li>Remove Class 1 parts from the defect specification table</li> </ul>
4.0	<ul style="list-style-type: none"> <li>Removed part numbers 4H0342 and 4H0344</li> </ul>

### PS-0036

Revision Number	Description of Changes
1.0	<ul style="list-style-type: none"> <li>Initial release with new document number, updated branding and document template</li> <li>Updated <i>Storage and Handling</i> and <i>Quality Assurance and Reliability</i> sections</li> </ul>
1.1	<ul style="list-style-type: none"> <li>Updated branding</li> </ul>

ON Semiconductor and  are registered trademarks of Semiconductor Components Industries, LLC (SCILLC). SCILLC owns the rights to a number of patents, trademarks, copyrights, trade secrets, and other intellectual property. A listing of SCILLC's product/patent coverage may be accessed at [www.onsemi.com/site/pdf/Patent-Marking.pdf](http://www.onsemi.com/site/pdf/Patent-Marking.pdf). SCILLC reserves the right to make changes without further notice to any products herein. SCILLC makes no warranty, representation or guarantee regarding the suitability of its products for any particular purpose, nor does SCILLC assume any liability arising out of the application or use of any product or circuit, and specifically disclaims any and all liability, including without limitation special, consequential or incidental damages. "Typical" parameters which may be provided in SCILLC data sheets and/or specifications can and do vary in different applications and actual performance may vary over time. All operating parameters, including "Typicals" must be validated for each customer application by customer's technical experts. SCILLC does not convey any license under its patent rights nor the rights of others. SCILLC products are not designed, intended, or authorized for use as components in systems intended for surgical implant into the body, or other applications intended to support or sustain life, or for any other application in which the failure of the SCILLC product could create a situation where personal injury or death may occur. Should Buyer purchase or use SCILLC products for any such unintended or unauthorized application, Buyer shall indemnify and hold SCILLC and its officers, employees, subsidiaries, affiliates, and distributors harmless against all claims, costs, damages, and expenses, and reasonable attorney fees arising out of, directly or indirectly, any claim of personal injury or death associated with such unintended or unauthorized use, even if such claim alleges that SCILLC was negligent regarding the design or manufacture of the part. SCILLC is an Equal Opportunity/Affirmative Action Employer. This literature is subject to all applicable copyright laws and is not for resale in any manner.

### PUBLICATION ORDERING INFORMATION

#### LITERATURE FULFILLMENT:

Literature Distribution Center for ON Semiconductor  
P.O. Box 5163, Denver, Colorado 80217 USA  
**Phone:** 303-675-2175 or 800-344-3860 Toll Free USA/Canada  
**Fax:** 303-675-2176 or 800-344-3867 Toll Free USA/Canada  
**Email:** [orderlit@onsemi.com](mailto:orderlit@onsemi.com)

**N. American Technical Support:** 800-282-9855 Toll Free  
USA/Canada

**Europe, Middle East and Africa Technical Support:**  
Phone: 421 33 790 2910

**Japan Customer Focus Center**  
Phone: 81-3-5817-1050

**ON Semiconductor Website:** [www.onsemi.com](http://www.onsemi.com)

**Order Literature:** <http://www.onsemi.com/orderlit>

For additional information, please contact your local Sales Representative

Компания «Life Electronics» занимается поставками электронных компонентов импортного и отечественного производства от производителей и со складов крупных дистрибьюторов Европы, Америки и Азии.

С конца 2013 года компания активно расширяет линейку поставок компонентов по направлению коаксиальный кабель, кварцевые генераторы и конденсаторы (керамические, пленочные, электролитические), за счёт заключения дистрибьюторских договоров

Мы предлагаем:

- Конкурентоспособные цены и скидки постоянным клиентам.
- Специальные условия для постоянных клиентов.
- Подбор аналогов.
- Поставку компонентов в любых объемах, удовлетворяющих вашим потребностям.
- Приемлемые сроки поставки, возможна ускоренная поставка.
- Доставку товара в любую точку России и стран СНГ.
- Комплексную поставку.
- Работу по проектам и поставку образцов.
- Формирование склада под заказчика.
- Сертификаты соответствия на поставляемую продукцию (по желанию клиента).
- Тестирование поставляемой продукции.
- Поставку компонентов, требующих военную и космическую приемку.
- Входной контроль качества.
- Наличие сертификата ISO.

В составе нашей компании организован Конструкторский отдел, призванный помогать разработчикам, и инженерам.

Конструкторский отдел помогает осуществить:

- Регистрацию проекта у производителя компонентов.
- Техническую поддержку проекта.
- Защиту от снятия компонента с производства.
- Оценку стоимости проекта по компонентам.
- Изготовление тестовой платы монтаж и пусконаладочные работы.



Тел: +7 (812) 336 43 04 (многоканальный)

Email: [org@lifeelectronics.ru](mailto:org@lifeelectronics.ru)