



## Size 16 MULTIPIECE coaxial contacts for TRIM TRIO connectors

### Description

Size 16 RMDX/RCDX Multipiece .063" (1.6mm) diameter contacts are subminiature coaxial contacts to cover a wide range of subminiature coaxial and twisted pair cables.

They are suitable in applications where a mix of signal, power and coaxial cable terminations for low frequency, shielded signal and high frequency applications are needed.

The contact consists of an inner pin/socket and an outer male/female body.

The thermoplastic insulating bushing in the outer body is designed to accept and permanently retain the inner contact.

The outer ferrule holds the outer braid to the outer contact and acts as an insulating support to ensure against bending and vibrating stresses.

The inner and the outer conductor are crimped individually, thereby enabling inspection of both critical crimp points.

### Features and benefits

- The inner and outer conductors are crimped individually
- The thermoplastic insulating bushing in the outer body is designed to accept and permanently retain the inner contact.
- Outer ferrule holds the outer braid to the outer contact and acts as an insulating support to ensure against bending and vibration.

### Performance characteristics

Operating voltage between inner / outer contact:	230 VDC
Test potential between inner / outer contact	750 VAC 1 min.
Operating temperature:	-55°C to +125°C
Contact retention in body:	65 N min.
Contact voltage drop at 1A:	25m V max.
Isolation at 30 MHz:	140 db.



### Construction

Inner and outer contacts: High conductive copper alloy

Retaining spring: beryllium copper

Insulating bushing: Polyamide 6.6

### Plating table

Retaining spring: Nickel plated

Inner and outer contacts:

D28: 0.75 µ Gold min. over Nickel

### Connector accommodation

Any TRIM TRIO contact can be used in any contact position in any connector in the TRIM TRIO interconnection system.

- MS-M/ MSG Rectangular connectors
- SMS Qikmate
- UT-Bantam
- UTG Metalok bantam
- UTP Full plastic bantam
- MBG Bantamate II

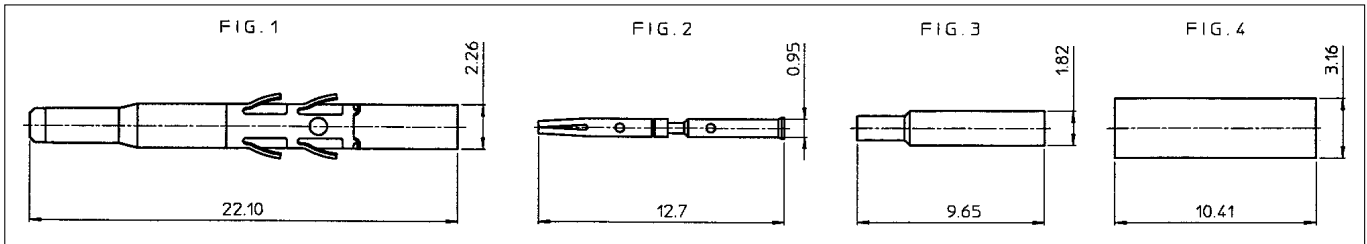
### How to order

	RMDX RCDX	K10 K1	D28 D28
<b>Contact type:</b>	RMDX = Male subminiature coax. RCDX = Female subminiature coax.		
<b>Multipiece coax kit</b>	K10 = Kit male coax. K1 = Kit female coax		
<b>Plating indication</b>			

# RMDX/RCDX



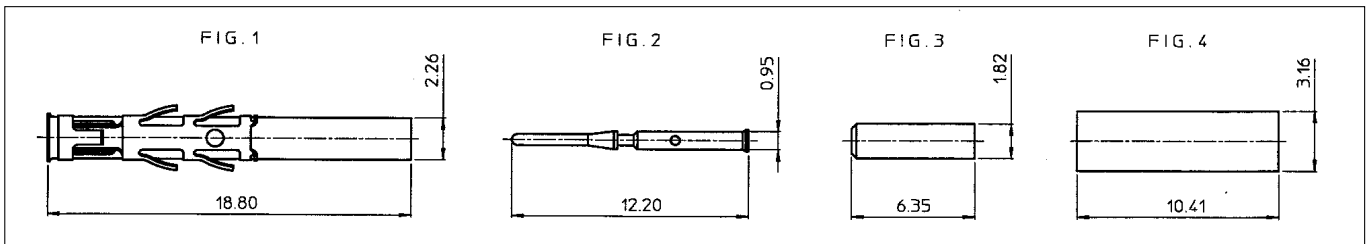
## MULTIPIECE Subminiature coax - Male contact for coaxial cable



Type of coaxial cable	Contact for inner conductor				Contact for outer braid						Extrac tool
	Inner female contact		Crimp tool M10S1		Outer male contact		Hyring		Crimp tool M10S1		
	Part number	Fig.	Die Set	Stop Bushing	Part number	Fig	Part number	Fig	Die Set	Stop Bushing	
RG161U RG179A/U RG179B/U RG187U	RFD26L1D28	2	S23D2	SL46D2	RMDX602D28	1	YOC074	4	S22-1	SL47-1	RX2025 GE1
S26D2			YOC074				4				
YOC074 + RMDXB0553			4 3								
RG174/U RG188/U Amphenol 21-598 RG178A/U RG196U			S23D2								RX16D11 D1

Kit reference RMDXK10D28 includes RMDX602D28 + RFD26L1D28 + YOC074 + RMDXB0553 and are packed in plastic bag.

## MULTIPIECE Subminiature coax - Female contact for coaxial cable



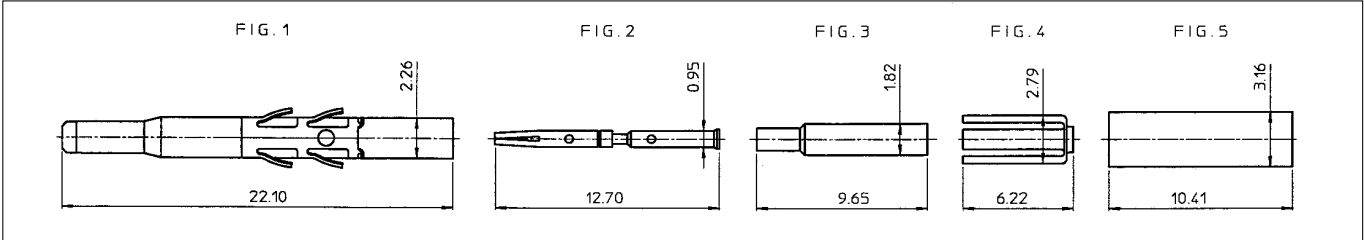
Type of coaxial cable	Contact for inner conductor				Contact for outer braid						Extrac tool
	Inner male contact		Crimp tool M10S1		Outer female contact		Hyring		Crimp tool M10S1		
	Part number	Fig.	Die Set	Stop Bushing	Part number	Fig	Part number	Fig	Die Set	Stop Bushing	
RG161U RG179A/U RG179B/U RG187U	RMD26L1D28	2	S23D2	SL46D2	RCDX602D28	1	YOC074	4	S22-1	SL47-1	RX2025 GE1
S26D2			YOC074				4				
S23D2			YOC074 + RCDXB0551				4 3				
RG174/U RG188/U Amphenol 21-598 RG178A/U RG196U			S23D2								or RX16D11 D1

Kit reference RCDXK1D28 includes RCDX602D28 + RMD26L1D28 + YOC074 + RCDXB0551 and are packed in plastic bag.

# RMDX/RCDX

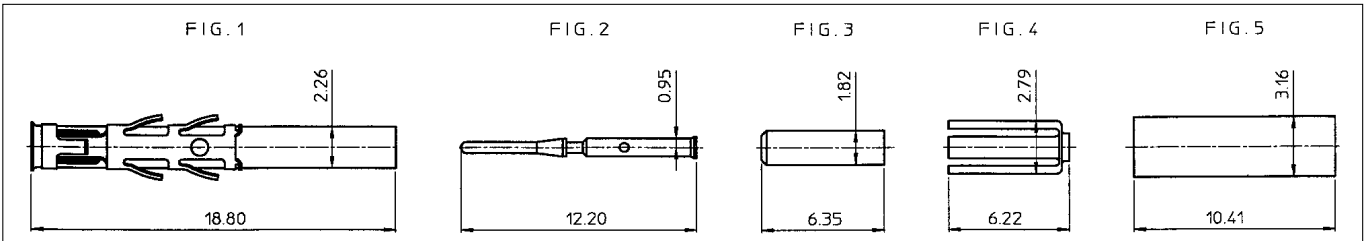


## MULTIPIECE Subminiature coax - Male contact for twisted pair cable

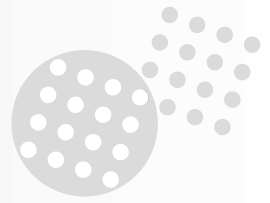


Type of coaxial cable	Contact for inner conductor				Contact for outer braid						Extrac tool
	Inner female contact		Crimp tool M10S1		Outer male contact		Hyring		Crimp tool M10S1		
	Part number	Fig.	Die set	Stop bushing	Part number	Fig	Part number	Fig	Die set	Stop bushing	
2 #24 solid or stranded 2 #26 str	RFD26L1D28	2	S26D2	SL46D2	RMDX602D28	1	YORX090	4	S221	SL471	RX2025 GE1  or RX16D11D1
YOC074							5				
RMDXB0553							3				
2 #24 7/0,20 str. MIL-W-76 or MIL-W-16878 type B	RMD26L1D28	2	S26D2	SL46D2	RMDX602D28	1	YORX090	4	S221	SL471	
YOC074							5				
RMDXB0554							3				
#28 per MIL-W- 81822/3	RMD26L1D28	2	S26D2	SL46D2	RMDX602D28	1	YORX090	4	S221	SL471	
YOC074							5				
RMDXB0553							3				

## MULTIPIECE Subminiature coax - Female contact for twisted pair cable



Type of coaxial cable	Contact for inner conductor				Contact for outer braid						Extrac tool
	Inner male contact		Crimp tool M10S1		Outer female contact		Hyring		Crimp tool M10S1		
	Part number	Fig.	Die set	Stop bushing	Part number	Fig	Part number	Fig	Die set	Stop bushing	
2 #24 solid or stranded 2 #26 str	RMD26L1D28	2	S26D2	SL46D2	RCDX602D28	1	YORX090	4	S221	SL471	RX2025 GE1  or RX16D11D1
YOC074							5				
RCDXB0551							3				
2 #24 7/0,20 str. MIL-W-76 or MIL-W-16878 type B	RMD26L1D28	2	S26D2	SL46D2	RCDX602D28	1	YORX090	4	S221	SL471	
YOC074							5				
RCDXB0552							3				
#28 per MIL-W- 81822/3	RMD26L1D28	2	S26D2	SL46D2	RCDX602D28	1	YORX090	4	S221	SL471	
YOC074							5				
RCDXB0551							3				



## Size 16 monocrimp coaxial contacts for TRIM TRIO connectors

### Description

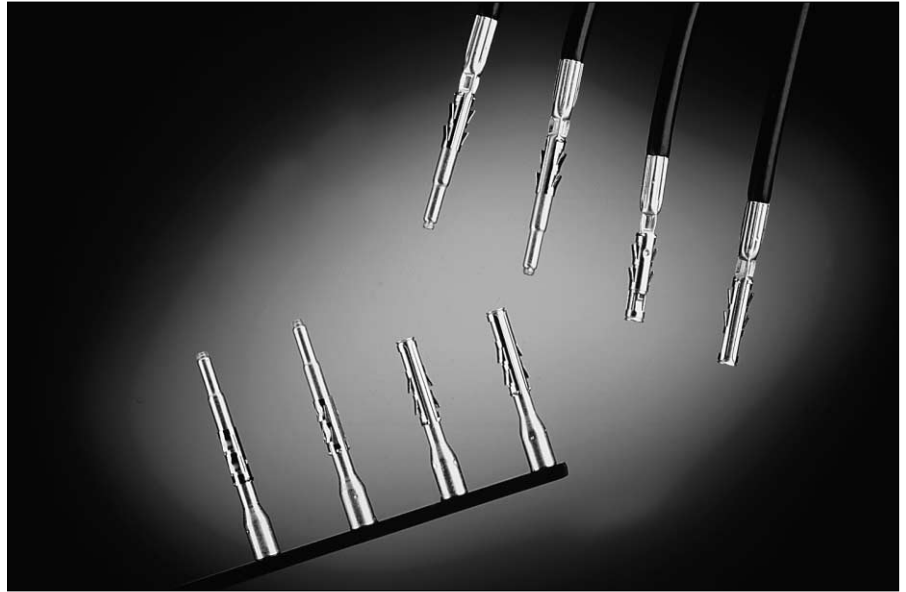
Size 16 RMDX/RCDX Monocrimp .063" (1.6mm) diameter contacts are one-piece monocrimp subminiature coaxial contacts to cover a wide range of subminiature coaxial and twisted pair cables. They provide cost effective solutions in applications where a mix of signal, power and coaxial cable terminations for low frequency, shielded signal and high frequency applications are needed. Monocrimp one piece coaxial contacts offer high reliability plus the economic advantage of a 95% reduction in installation time over conventional assembly methods currently in use.

### Features and benefits

- The monocrimp one-piece coaxial contacts offer high reliability plus the economic advantage of a 95% reduction in installation time over conventional assembly methods.
- This economy is achieved by simultaneously crimping of both the inner and outer conductor

### Performance characteristics

Operating voltage between inner / outer contact:	230 VDC
Test potential between inner / outer contact	450 VAC 1 min.
Operating temperature:	-55°C to +125°C
Contact retention in body:	65 N min.
Contact voltage drop a 1A:	30m V max.
Isolation at 30 MHZ:	140 db.



### Construction

Inner and outer contacts: High conductive copper alloy  
 Retaining spring: beryllium copper  
 Insulating bushing: Polyamide 6.6

### Plating table

Retaining spring: Nickel plated  
 Inner and outer contacts:  
 D28: 0.75µ Gold min. over Nickel

### Connector accommodation

Any TRIM TRIO contact can be used in any contact position in any connector in the TRIM TRIO interconnection system.

- MS-M/MSG Rectangular connectors
- SMS Qikmate
- UT-Bantam
- UTG Metalok bantam
- UTP Full plastic bantam
- MBG Bantamate II

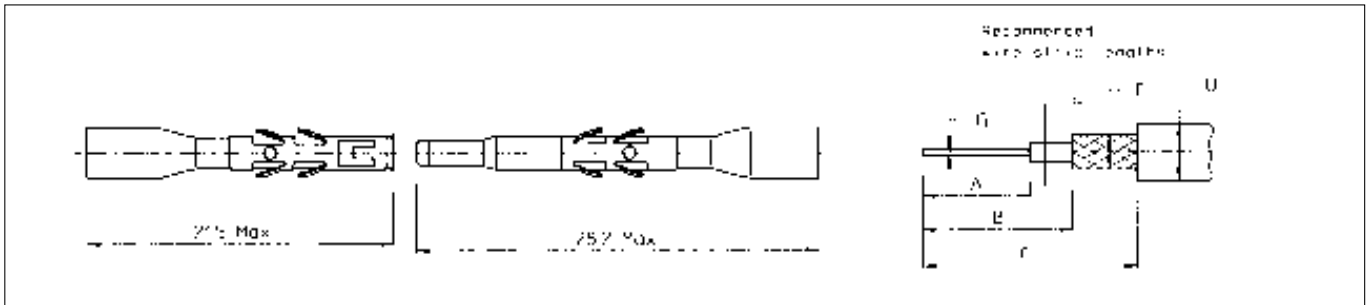
### How to order

	RMDX60 RCDX60	36 36	D28 D28
Contact type:	RMDX = Male subminiature coax. RCDX = Female subminiature coax.		
Monocrimp design variation			
Plating indication			

# RMDX/RCDX

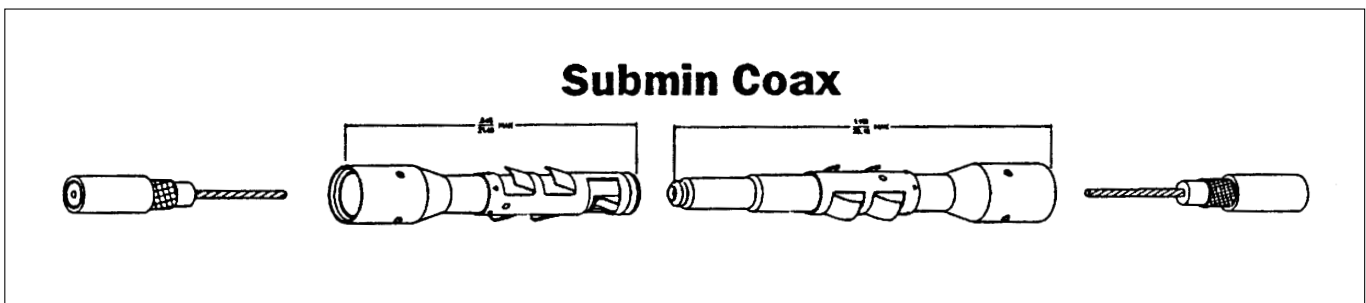


## MONOCRIMP Subminiature coax



Part number	AWG inner conduct.	Cable type	Coax dimensions				Coax strip lengths			Crimp tool M10S1		Extraction tool			
			D max	E	F	G	A	B	C	Die set not incl.	stop bushing not incl.				
RMDX6050D28 RCDX6050D28	30	-	2.64	2.11	1.70	0.30	5.1	6.35	8.9	S80	SL105	RX2025GE1  OR RX16D11D1			
RMDX6050D28 RCDX6050D28		-	2.29	1.63	1.22	4.2	8.5		S87						
RMDX6032D28 RCDX6032D28	28	-	2.90	2.29	1.91	0.38	5.1		11.7	S80			S82		
RMDX6024D28 RCDX6024D28	-	1.78	1.37	0.97	0.48	11.7			S80						
RMDX6032D28 RCDX6032D28	26	RG174/U	2.92	2.24	1.52	0.48	5.1		6.35	11.7			S80	SL105	OR
RMDX6026D28 RCDX6026D28		-	3.05	2.44	1.96	0.41							S82		
RMDX6036D28 RCDX6036D28		RG188A/U	2.79	1.98	1.52	0.51							S80		
RMDX6036D28 RCDX6036D28		RG316/U	2.72			0.51				S80					
RMDX6018D28 RCDX6018D28		-	2.62	0.53	8.9	M10SG8* crimping kit									
RMDX6018D28 RCDX6018D28		26	2.34	1.70	1.27					0.64					

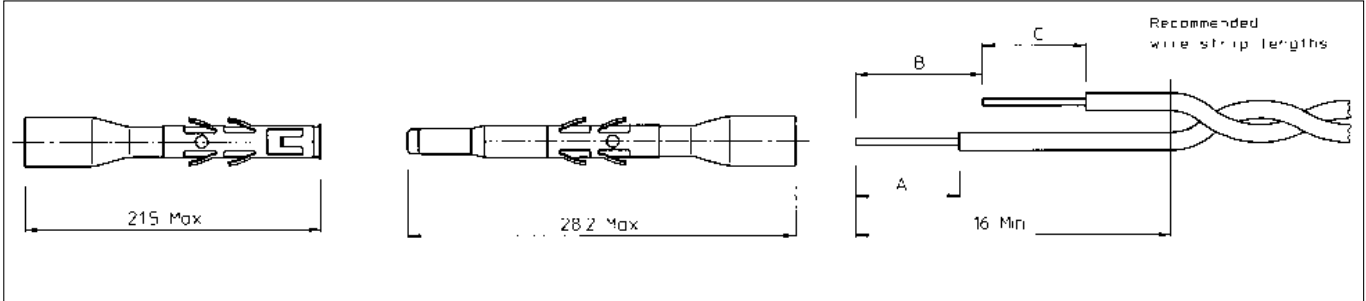
\* M10SG8 consists of die set, stop bushing and M10S1 tool



# RMDX/RCDX

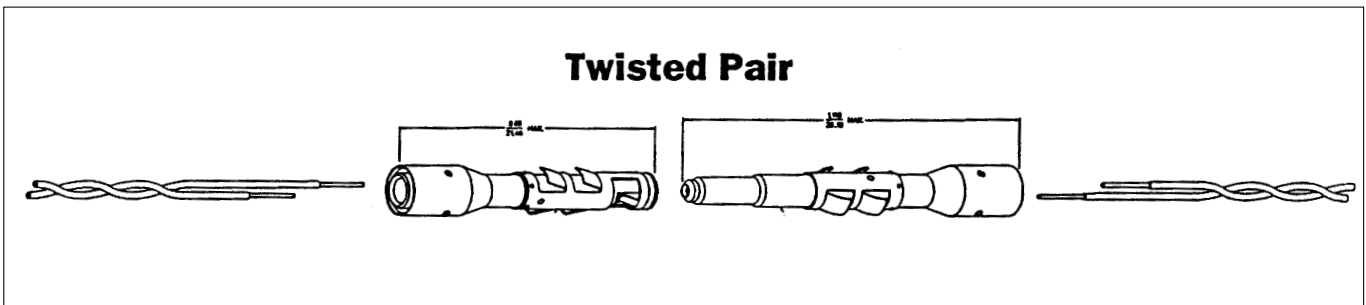


## MONOCRIMP Twisted pair



Part number		AWG inner conduct.	Dia. outer jacket (single wire)	Cable strip lengths			Crimp tool M10S1		Extraction tool
Male	Female			A	B	C	Die set not incl.	Stop bushing not. incl.	
RMDX6019D28		26 (19 x 0.10)	1.25	4.7	6.0	4.0	M10SG8*		RX2025GE1 or RX16D11D1
RCDX6019D28		24 (7 x 0.20)	1.25						
		24 (19 x 0.13)	1.45				S80	SL105	
RMDX6031D28		26 (7 x 0.16)	0.70						

\* M10SG8 consist of die set, stop bushing and M10S1 tool.



Компания «Life Electronics» занимается поставками электронных компонентов импортного и отечественного производства от производителей и со складов крупных дистрибьюторов Европы, Америки и Азии.

С конца 2013 года компания активно расширяет линейку поставок компонентов по направлению коаксиальный кабель, кварцевые генераторы и конденсаторы (керамические, пленочные, электролитические), за счёт заключения дистрибьюторских договоров

Мы предлагаем:

- Конкуренспособные цены и скидки постоянным клиентам.
- Специальные условия для постоянных клиентов.
- Подбор аналогов.
- Поставку компонентов в любых объемах, удовлетворяющих вашим потребностям.
- Приемлемые сроки поставки, возможна ускоренная поставка.
- Доставку товара в любую точку России и стран СНГ.
- Комплексную поставку.
- Работу по проектам и поставку образцов.
- Формирование склада под заказчика.
- Сертификаты соответствия на поставляемую продукцию (по желанию клиента).
- Тестирование поставляемой продукции.
- Поставку компонентов, требующих военную и космическую приемку.
- Входной контроль качества.
- Наличие сертификата ISO.

В составе нашей компании организован Конструкторский отдел, призванный помогать разработчикам, и инженерам.

Конструкторский отдел помогает осуществить:

- Регистрацию проекта у производителя компонентов.
- Техническую поддержку проекта.
- Защиту от снятия компонента с производства.
- Оценку стоимости проекта по компонентам.
- Изготовление тестовой платы монтаж и пусконаладочные работы.



Тел: +7 (812) 336 43 04 (многоканальный)

Email: [org@lifeelectronics.ru](mailto:org@lifeelectronics.ru)