



PST-960 Series Specifications

PARALLEL



Features:

- Three-Phase AC 340 ~ 550V wide range input
- High efficiency 91% and low dissipation
- Protections: Short Circuit / Overload / Over Voltage / Overtemperature
- Optional parallel function(1+1)
- Cooling by free air convection
- DIN rail mountable
- UL 508(industrial control equipment) approved
- EN61000-6-2(EN50082-2) industrial immunity level
- 100% full load burn-in test
- 3 year warranty

OUTPUT

| Cat. No. | PST-96024 / PST-960P24* | PST-96048 / PST-960P48* |
|----------|-------------------------|-------------------------|
|----------|-------------------------|-------------------------|

| | | |
|---|----------------------------|---|
| DC VOLTAGE | 24V | 48V |
| RATED CURRENT | 40A | 20A |
| CURRENT RANGE | 0 ~ 40A | 0 ~ 20A |
| RATED POWER | 960W | 960W |
| RIPPLE & NOISE (max) | 80mVp-p | 80mVp-p |
| <small>Ripple & noise are measured at 20MHz of bandwidth by using a 12 twisted pair-wire terminated with a 0.1µF & 47µF parallel capacitor.</small> | | |
| VOLTAGE ADJ. RANGE | 24 ~ 28V | 48 ~ 55V |
| VOLTAGE TOLERANCE | ±1.0% | ±1.0% |
| Tolerance: includes set up tolerance, line regulation and load regulation. | | |
| LINE REGULATION | ±0.5% | ±0.5% |
| LOAD REGULATION | ±0.5% | ±0.5% |
| SETUP, RISE, HOLD UP TIME | 200ms, 60ms, 14ms / 400VAC | 200ms, 60ms, 30ms / 500VAC at full load |

INPUT

| | | |
|--|---|---------------|
| VOLTAGE RANGE | Three Phase 340 ~ 550VAC (Dual Phase operation possible in connecting L1, L3, FG) | |
| <small>Dual phase operation (connecting L1, L3, FG) is allowed under certain derating to output load. Please refer to the derating curves for details.</small> | | |
| FREQUENCY RANGE | 47 ~ 63Hz | |
| EFFICIENCY (Typ.) | 91% | 92% |
| AC CURRENT | 2A / 400VAC; | 1.6A / 500VAC |
| INRUSH CURRENT (Typ.) | COLD START 50A | |
| LEAKAGE CURRENT | ≤ 3.5 mA / 530VAC | |

PROTECTION

| | | |
|---|--|----------|
| OVERLOAD | 105 ~ 125% rated output power | |
| <small>Protection type: Constant current limiting, unit will shut down overvoltage after 3 sec., re-power on to recover</small> | | |
| OVERVOLTAGE | 30 ~ 36V | 59 ~ 66V |
| <small>Protection type: Shut down overvoltage, re-power on to recover</small> | | |
| OVERTEMPERATURE | 110°C ± 5°C (TSW1) detect on heat sink of power transistor | |
| 85°C ± 5°C (TSW2) detect on heat sink of power diode | | |
| <small>Protection type: Shut down overvoltage, recovers automatically after temperature goes down</small> | | |

ENVIRONMENT

| | |
|-------------------------|---|
| WORKING TEMP. | -20 ~ +60°C (Refer to output load derating curve) |
| WORKING HUMIDITY | 20 ~ 90% RH non-condensing |
| STORAGE TEMP., HUMIDITY | -40 ~ +85°C, 10 ~ 95% RH |
| TEMP. COEFFICIENT | ±0.03% / °C (0 ~ 50°C) |
| VIBRATION | 10 ~ 500Hz, 2G 10min./1cycle, 60 min. each long X,Y, Z axes |
| MOUNTING | Compliance to IEC60068-2-6 |

SAFETY & EMC

| | |
|---|---|
| SAFETY STANDARDS | UL508 EN60950-1 compliant UL60950-1 |
| WITHSTAND VOLTAGE | I/P-O/P: 3KVAC I/P-FG: 1.5KVAC O/P-FG: 0.5KVAC |
| ISOLATION RESISTANCE | I/P-O/P, I/P-FG, O/P-FG: 100M Ohms / 500VDC (25°C; 70% RH) |
| EMI CONDUCTION & RADIATION | Compliance to EN55011 (CISPR11), EN55022 (CISPR22), EN61204-3 Class B |
| HARMONIC CURRENT | Compliance to EN61000-3-2,-3 |
| EMS IMMUNITY | Compliance to EN61000-4-2,3,4,5,6,8,11; ENV50204; EN61204-3; EN61000-6-2; (EN50082-2), heavy industry level; criteria A |
| <small>The power supply is considered a component which will installed into a final equipment. The final equipment must be re-confirmed that it still meets EMC directives.</small> | |

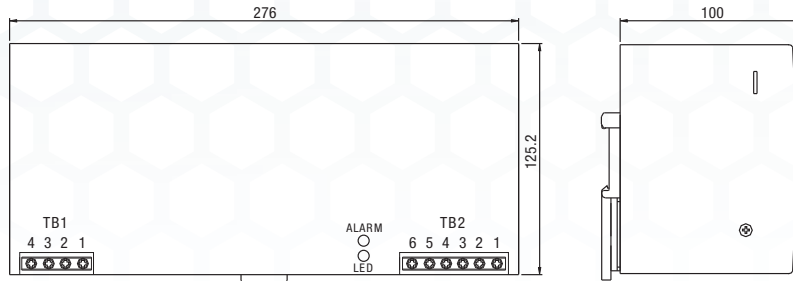
OTHERS

| | |
|---|--------------------------------------|
| MTBF | 122.5K hrs min. MIL-HDBK-217K (25°C) |
| DIMENSION | 276x125.2x100mm (WxHxD) |
| PACKING | 3.3Kg; 4pcs / 14.2Kg / 1.14CUFT |
| <small>All parameters NOT specially mentioned are measured at 400VAC input, rated load and 25°C of ambient temperature.</small> | |

*Special order required.

For the latest on Altech Power Supply specifications please visit www.altechcorp.com/power.

Mechanical Specification



TB1 Terminal Pin. No Assignment

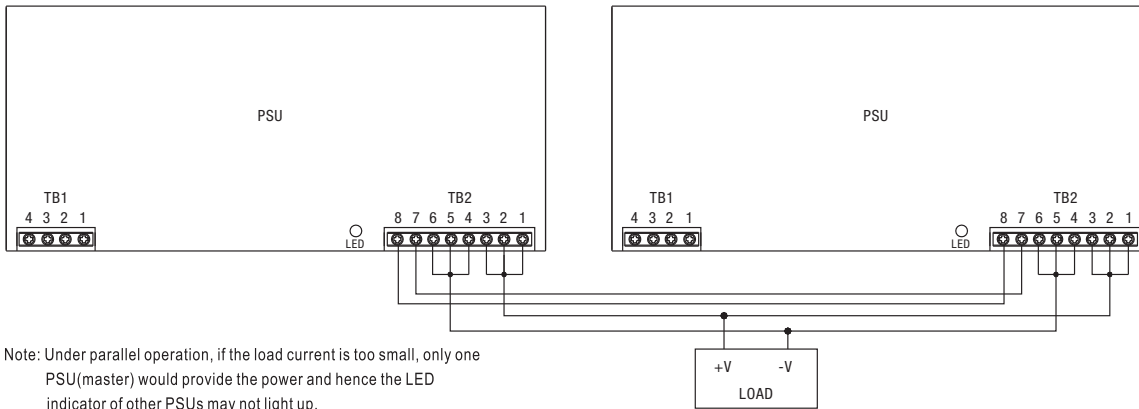
| Pin No. | Assignment |
|---------|------------|
| 1 | ACL1 |
| 2 | ACL2 |
| 3 | ACL3 |
| 4 | FG ⊕ |

TB2 Terminal Pin. No Assignment

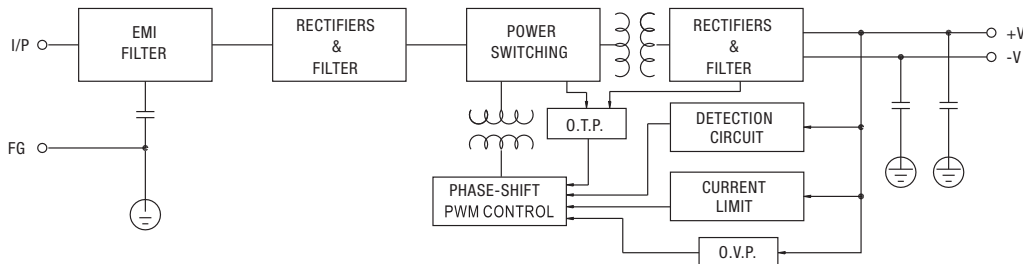
| Pin No. | Assignment |
|---------|-------------------|
| 1,2,3 | DCOUTPUT+ V |
| 4,5,6 | DCOUTPUT - V |
| 7 | P (Current Share) |
| 8 | P (Current Share) |

} Parallel Only

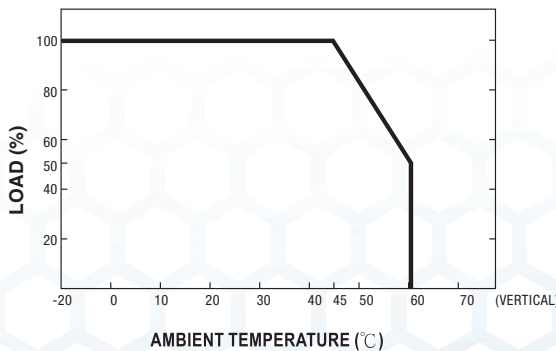
Optional Parallel Function (1+1) - (Special order required)



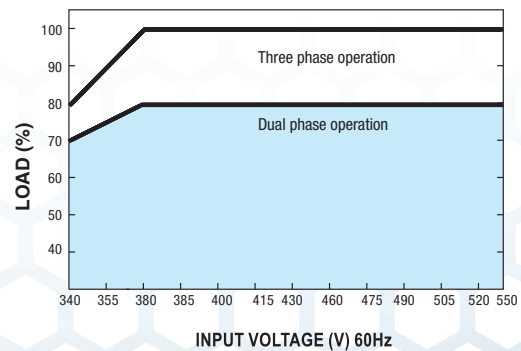
Block Diagram



Derating Curve



Output Derating VS Input Voltage



Note: All dimensions are in millimeters, to convert to inches multiply by 0.03937.

PSC Class 2 Series Compact Housing
 PSA Flex Series 1 Phase
 PSB Flex Series 2 & 3 Phase
 PS-S Slim Series Plastic Housing
 PS Low Profile Series Plastic Housing
 PS Industrial Series 1, 2 & 3 Phase
 PS C & W Series 1 and 2 Phase
 CBI Type DC UPS Systems
 CB Type Battery Chargers
 Accessories
 Appendix

Компания «Life Electronics» занимается поставками электронных компонентов импортного и отечественного производства от производителей и со складов крупных дистрибьюторов Европы, Америки и Азии.

С конца 2013 года компания активно расширяет линейку поставок компонентов по направлению коаксиальный кабель, кварцевые генераторы и конденсаторы (керамические, пленочные, электролитические), за счёт заключения дистрибьюторских договоров

Мы предлагаем:

- Конкурентоспособные цены и скидки постоянным клиентам.
- Специальные условия для постоянных клиентов.
- Подбор аналогов.
- Поставку компонентов в любых объемах, удовлетворяющих вашим потребностям.
- Приемлемые сроки поставки, возможна ускоренная поставка.
- Доставку товара в любую точку России и стран СНГ.
- Комплексную поставку.
- Работу по проектам и поставку образцов.
- Формирование склада под заказчика.
- Сертификаты соответствия на поставляемую продукцию (по желанию клиента).
- Тестирование поставляемой продукции.
- Поставку компонентов, требующих военную и космическую приемку.
- Входной контроль качества.
- Наличие сертификата ISO.

В составе нашей компании организован Конструкторский отдел, призванный помогать разработчикам, и инженерам.

Конструкторский отдел помогает осуществить:

- Регистрацию проекта у производителя компонентов.
- Техническую поддержку проекта.
- Защиту от снятия компонента с производства.
- Оценку стоимости проекта по компонентам.
- Изготовление тестовой платы монтаж и пусконаладочные работы.



Тел: +7 (812) 336 43 04 (многоканальный)

Email: org@lifeelectronics.ru