

# NX-series Digital Input Unit

## NX-ID/IA

CSM\_NX-ID\_IA\_DS\_E\_4\_1

### A Wide Range of Digital Input Units from General Purpose use to High-Speed Synchronous Control

- Digital Input Units for the NX-series modular I/O system.
- Connect to other NX-series I/O Units and EtherCAT Coupler units using the high-speed NX-bus.
- Synchronous Units update the status of input devices to the controller every EtherCAT cycle.

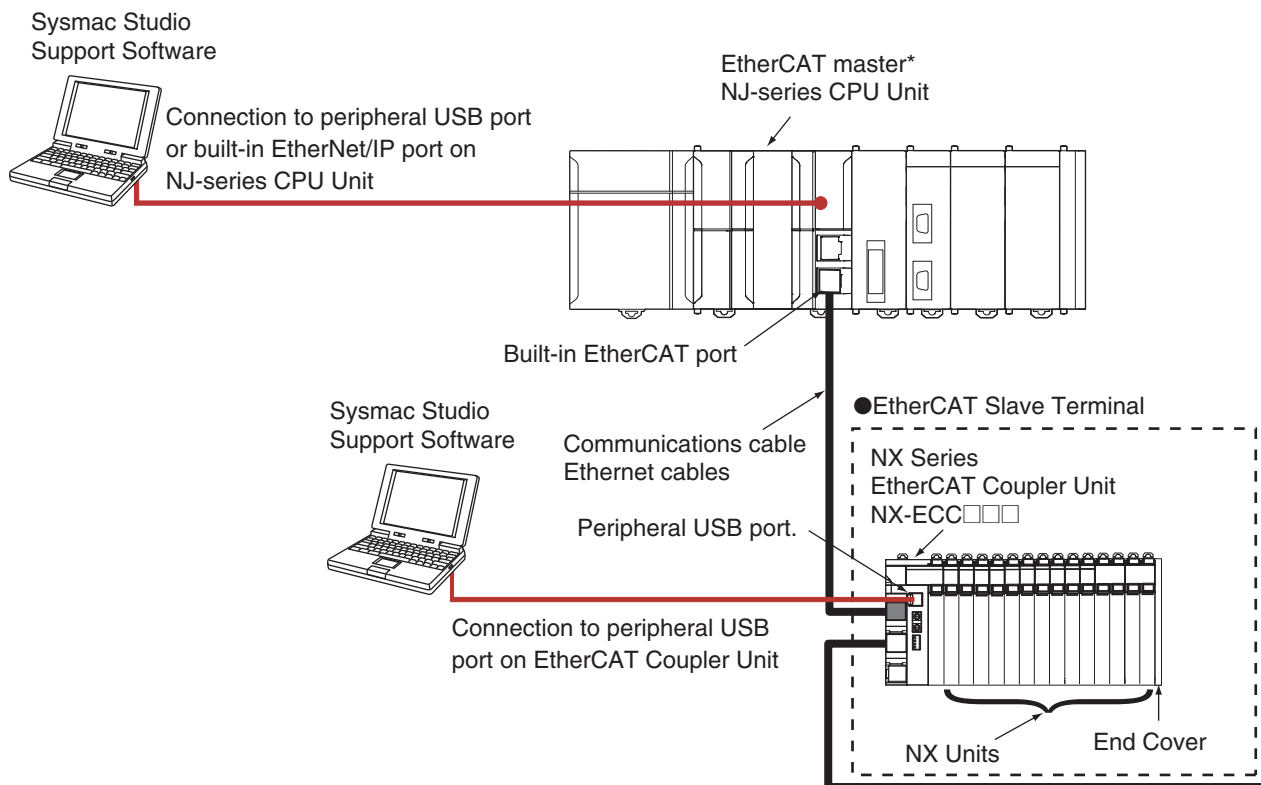


**NEW**

### Features

- High-speed I/O refreshing is possible by connecting with the NX-series EtherCAT Coupler.
- I/O refreshing can be synchronized with the control cycle of the Controller. (Synchronous refreshing)
- ON/OFF response time of the high-speed model is 100 ns max, which enables high-speed, high-precision control.
- The screwless terminal block is detachable for easy commissioning and maintenance.
- Screwless clamp terminal block and Connector types are significantly reduces wiring work.
- Up to 16 digital inputs in a space-saving 12 mm width. (Connector Types 30 mm width)
- The lineup includes 4-point, 8-point, 16-point, and 32-point types with 3-wire, 2-wire and 1-wire connection methods.
- With input refreshing with input changed time, the Input Unit records the time when the input is changed and the changed time with the input value is read into the Controller.
- Using with the Unit that supports output refreshing with specified time stamp enables high-precision I/O control independent of the control cycle of the Controller.

### System Configuration



\* OMRON CJ1W-NC□81/□82 Position Control Units cannot be connected to the EtherCAT Slave Terminal even though they support EtherCAT.


Sysmac® is a trademark or registered trademark of OMRON Corporation in Japan and other countries for OMRON factory automation products. EtherCAT® is a registered trademark of Beckhoff Automation GmbH for their patented technology. Other company names and product names in this document are the trademarks or registered trademarks of their respective companies.

## Ordering Information

### International Standards


- The standards are abbreviated as follows: U: UL, U1: UL (Class I Division 2 Products for Hazardous Locations), C: CSA, UC: cULus, UC1: cULus (Class I Division 2 Products for Hazardous Locations), CU: cUL, N: NK, L: Lloyd, CE: EC Directives, and KC: KC Registration.
- Contact your OMRON representative for further details and applicable conditions for these standards.

### Digital Input Unit (Screwless Clamping Terminal Block, 12 mm Width)


Unit type	Product Name	Specification					Model	Standards		
		Number of points	Internal I/O common	Rated input voltage	I/O refreshing method	ON/OFF response time				
NX Series Digital Input Units		4 points	NPN	12 to 24 VDC	Switching Synchronous I/O refreshing and Free-Run refreshing	20 µs max./400 µs max.	NX-ID3317	UC1, N, L, CE, KC		
				24 VDC		100 ns max./100 ns max.			NX-ID3343	
			PNP	12 to 24 VDC	Switching Synchronous I/O refreshing and Free-Run refreshing	20 µs max./400 µs max.	NX-ID3417			
				24 VDC		100 ns max./100 ns max.	NX-ID3443			
		8 points	NPN	24 VDC	Switching Synchronous I/O refreshing and Free-Run refreshing	20 µs max./400 µs max.	100 ns max./100 ns max.		NX-ID4342	
									PNP	NX-ID4442
									NPN	NX-ID5342
		16 points	PNP	24 VDC	Switching Synchronous I/O refreshing and Free-Run refreshing	20 µs max./400 µs max.	100 ns max./100 ns max.		NX-ID5442	

\* To use input refreshing with input changed time, NJ CPU Unit with unit version 1.06 or later, EtherCAT Coupler Unit with unit version 1.1 or later, and Sysmac Studio version 1.07 or higher are required.

### DC Input Units (MIL Connector, 30 mm Width)

Unit type	Product Name	Specification					Model	Standards
		Number of points	Internal I/O common	Rated input voltage	I/O refreshing method	ON/OFF response time		
NX Series Digital Input Units		16 points	For both NPN/PNP	24 VDC	Switching Synchronous I/O refreshing and Free-Run refreshing	20 µs max./400 µs max.	NX-ID5142-5	UC1, CE, KC
		32 points					NX-ID6142-5	

### Analog Input Unit (Screwless Clamping Terminal Block, 12 mm Width)

Unit type	Product Name	Specification				Model	Standards
		Number of points	Rated input voltage	I/O refreshing method	ON/OFF response time		
NX Series Analog Input Units		4 points	200 to 240 VAC, 50/60 Hz (170 to 264 VAC, ±3 Hz)	Free-Run refreshing	10 ms max./40 ms max.	NX-IA3317	UC1, N, CE, KC

### Option

Product Name	Specification	Model	Standards			
Unit/Terminal Block Coding Pins	For 10 Units (Terminal Block: 30 pins, Unit: 30 pins)	NX-AUX02	---			
Product Name	Specification				Model	Standards
	No. of terminals	Terminal number indications	Ground terminal mark	Terminal current capacity		
Terminal Block	8	A/B	None	10 A	NX-TBA082	---
	12				NX-TBA122	
	16				NX-TBA162	

### Accessories


Not included.

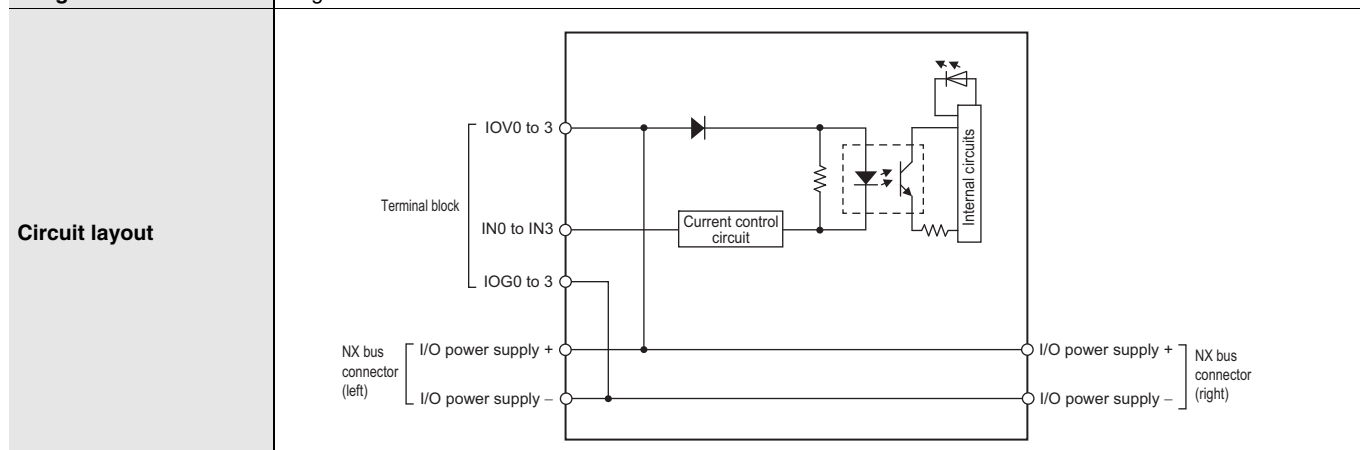
## General Specification

Item		Specification
<b>Enclosure</b>		Mounted in a panel
<b>Grounding method</b>		Ground to 100 $\Omega$ or less
<b>Operating environment</b>	<b>Ambient operating temperature</b>	0 to 55°C
	<b>Ambient operating humidity</b>	10% to 95% (with no condensation or icing)
	<b>Atmosphere</b>	Must be free from corrosive gases.
	<b>Ambient storage temperature</b>	-25 to 70°C (with no condensation or icing)
	<b>Altitude</b>	2,000 m max.
	<b>Pollution degree</b>	2 or less: Conforms to JIS B3502 and IEC 61131-2.
	<b>Noise immunity</b>	2 kV on power supply line (Conforms to IEC61000-4-4.)
	<b>Overvoltage category</b>	Category II: Conforms to JIS B3502 and IEC 61131-2.
	<b>EMC immunity level</b>	Zone B
	<b>Vibration resistance</b>	Conforms to IEC 60068-2-6. 5 to 8.4 Hz with 3.5-mm amplitude, 8.4 to 150 Hz, acceleration of 9.8 m/s <sup>2</sup> , 100 min each in X, Y, and Z directions (10 sweeps of 10 min each = 100 min total)
<b>Shock resistance</b>	Conforms to IEC 60068-2-27. 147 m/s <sup>2</sup> , 3 times each in X, Y, and Z directions	
<b>Applicable standards</b>		cULus: Listed UL508 and ANSI/ISA 12.12.01 EC: EN 61131-2 and C-Tick, KC: KC Registration, NK, LR

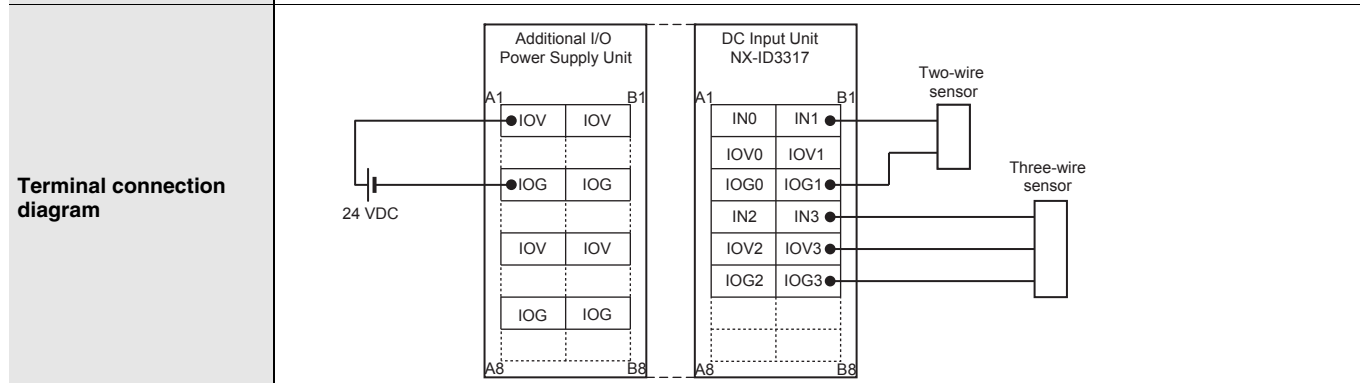
# Digital Input Unit Specifications

## ● DC Input Unit (Screwless Clamping Terminal Block 12 mm, Width) NX-ID3317

<b>Unit name</b>	DC Input Unit	<b>Model</b>	NX-ID3317
<b>Capacity</b>	4 points	<b>External connection terminals</b>	Screwless clamping terminal block (12 terminals)
<b>I/O refreshing method</b>	Selectable Synchronous I/O refreshing or Free-Run refreshing		
<b>Indicators</b>	TS indicator, input indicator 	<b>Internal I/O common</b>	NPN
		<b>Rated input voltage</b>	12 to 24 VDC (9 to 28.8 VDC)
		<b>Input current</b>	6 mA typical (at 24 VDC), rated current
		<b>ON voltage/ON current</b>	9 VDC min./3 mA min. (between IOV and each signal)
		<b>OFF voltage/OFF current</b>	2 VDC max./1 mA max. (between IOV and each signal)
		<b>ON/OFF response time</b>	20 μs max./400 μs max.
		<b>Input filter time</b>	Without filter, 0.25 ms, 0.5 ms, 1 ms (factory setting), 2 ms, 4 ms, 8 ms, 16 ms, 32 ms, 64 ms, 128 ms, 256 ms
<b>Dimensions</b>	12 (W) x 100 (H) x 71 (D)	<b>Isolation method</b>	Photocoupler isolation
<b>Insulation resistance</b>	20 MΩ min. between isolated circuits (at 100 VDC)	<b>Dielectric strength</b>	510 VAC between isolated circuits for 1 minute at a leakage current of 5 mA max.
<b>I/O power supply method</b>	Supply from the NX bus	<b>Current capacity of I/O power supply terminal</b>	IOV: 0.1 A/terminal max., IOG: 0.1 A/terminal max.
<b>NX Unit power consumption</b>	0.50 W max.	<b>Current consumption from I/O power supply</b>	No consumption
<b>Weight</b>	65 g max.		


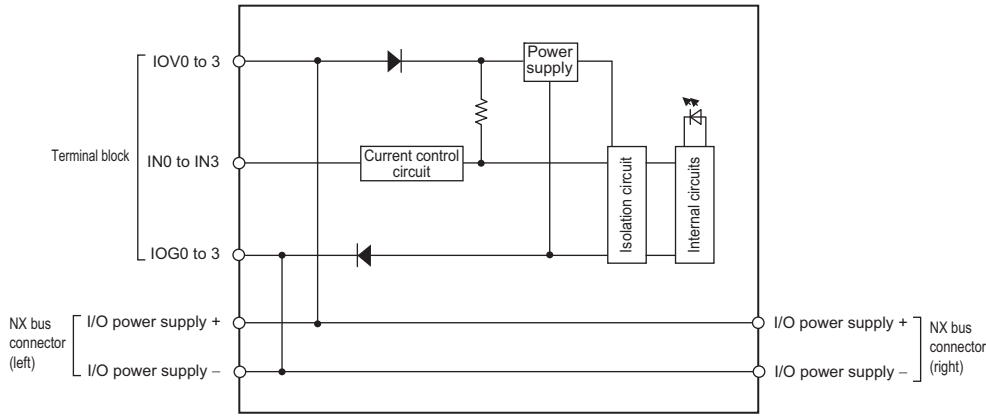
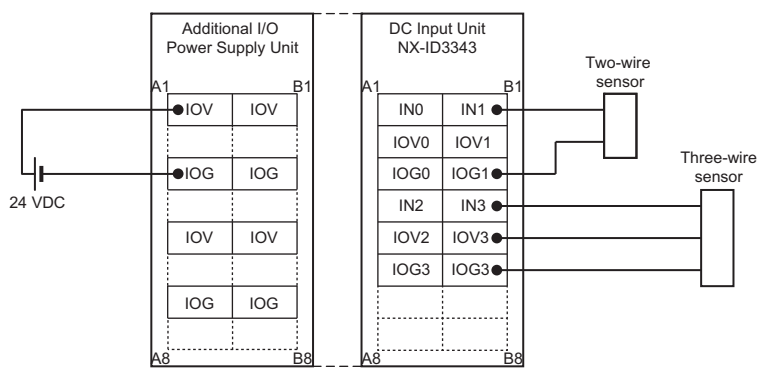


**Installation orientation and restrictions**  
 Installation orientation: Possible in 6 orientations.  
 Restrictions: No restrictions




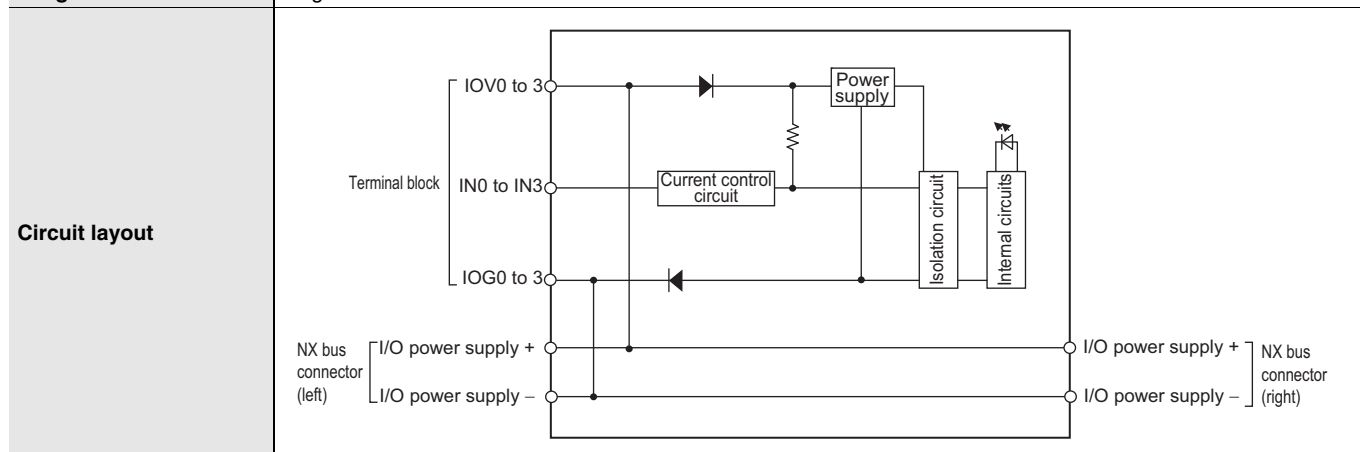
<b>Disconnection/Short-circuit detection</b>	Not supported.	<b>Protective function</b>	Not supported.
--	----------------	----------------------------	----------------

## NX-ID3343

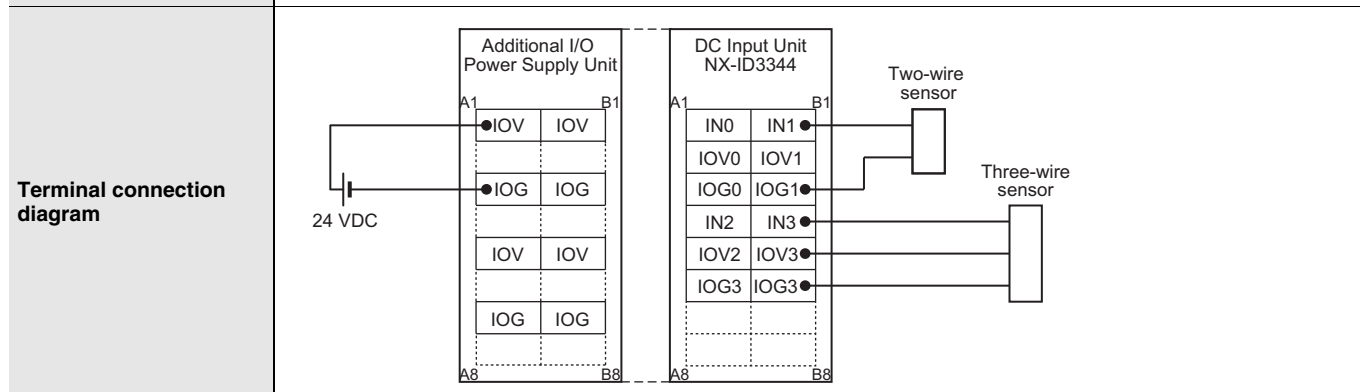
<b>Unit name</b>	DC Input Unit	<b>Model</b>	NX-ID3343
<b>Capacity</b>	4 points	<b>External connection terminals</b>	Screwless clamping terminal block (12 terminals)
<b>I/O refreshing method</b>	Selectable Synchronous I/O refreshing or Free-Run refreshing		
<b>Indicators</b>	TS indicator, input indicator 	<b>Internal I/O common</b>	NPN
		<b>Rated input voltage</b>	24 VDC (15 to 28.8 VDC)
		<b>Input current</b>	3.5 mA typical (at 24 VDC), rated current
		<b>ON voltage/ON current</b>	15 VDC min./3 mA min. (between IOV and each signal)
		<b>OFF voltage/OFF current</b>	5 VDC max./1 mA max. (between IOV and each signal)
		<b>ON/OFF response time</b>	100 ns max./100 ns max.
		<b>Input filter time</b>	Without filter, 1 μs, 2 μs, 4 μs, 8 μs (factory setting), 16 μs, 32 μs, 64 μs, 128 μs, 256 μs
<b>Dimensions</b>	12 (W) x 100 (H) x 71 (D)	<b>Isolation method</b>	Digital isolator isolation
<b>Insulation resistance</b>	20 MΩ min. between isolated circuits (at 100 VDC)	<b>Dielectric strength</b>	510 VAC between isolated circuits for 1 minute at a leakage current of 5 mA max.
<b>I/O power supply method</b>	Supply from the NX bus	<b>Current capacity of I/O power supply terminal</b>	IOV: 0.1 A/terminal max., IOG: 0.1 A/terminal max.
<b>NX Unit power consumption</b>	0.55 W max.	<b>Current consumption from I/O power supply</b>	30 mA max.
<b>Weight</b>	65 g max.		
<b>Circuit layout</b>			
<b>Installation orientation and restrictions</b>	Installation orientation: Possible in 6 orientations. Restrictions: No restrictions		
<b>Terminal connection diagram</b>			
<b>Disconnection/Short-circuit detection</b>	Not supported.	<b>Protective function</b>	Not supported.

## NX-ID3344

<b>Unit name</b>	DC Input Unit	<b>Model</b>	NX-ID3344
<b>Capacity</b>	4 points	<b>External connection terminals</b>	Screwless clamping terminal block (12 terminals)
<b>I/O refreshing method</b>	Input refreshing with input changed time		
<b>Indicators</b>	TS indicator, input indicators 	<b>Internal I/O common</b>	NPN
		<b>Rated input voltage</b>	24 VDC (15 to 28.8 VDC)
		<b>Input current</b>	3.5 mA typical (at 24 VDC), rated current
		<b>ON voltage/ON current</b>	15 VDC min./3 mA min. (between IOV and each signal)
		<b>OFF voltage/OFF current</b>	5 VDC max./1 mA max. (between IOV and each signal)
		<b>ON/OFF response time</b>	100 ns max./100 ns max.
<b>Dimensions</b>	12 (W) x 100 (H) x 71 (D)	<b>Isolation method</b>	Digital isolator isolation
<b>Insulation resistance</b>	20 MΩ min. between isolated circuits (at 100 VDC)	<b>Dielectric strength</b>	510 VAC between isolated circuits for 1 minute at a leakage current of 5 mA max.
<b>I/O power supply method</b>	Supply from the NX bus	<b>Current capacity of I/O power supply terminal</b>	IOV: 0.1 A/terminal max., IOG: 0.1 A/terminal max.
<b>NX Unit power consumption</b>	0.55 W max.	<b>Current consumption from I/O power supply</b>	30 mA max.
<b>Weight</b>	65 g max.		




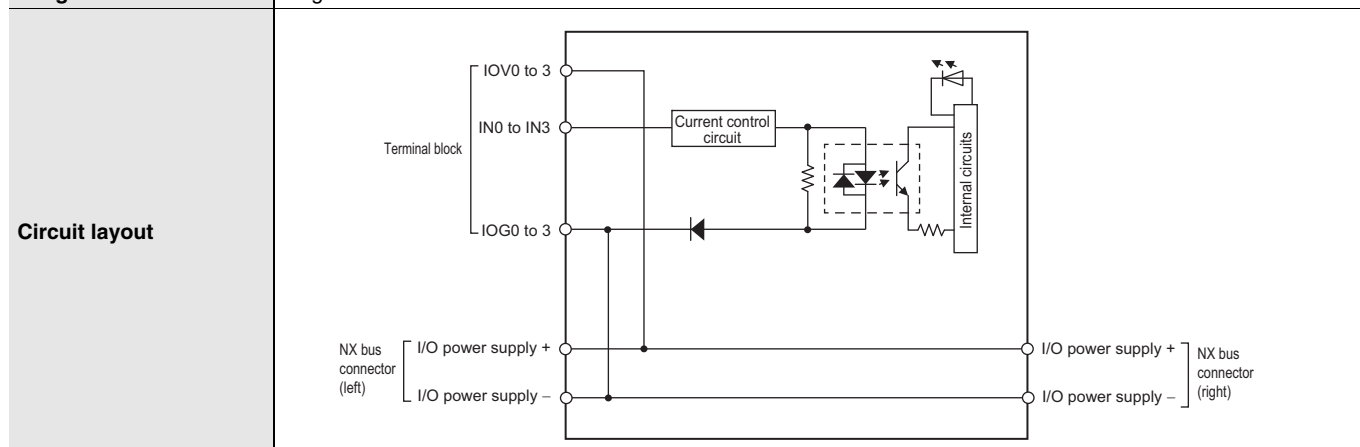
**Installation orientation and restrictions**  
 Installation orientation: Possible in 6 orientations.  
 Restrictions: No restrictions



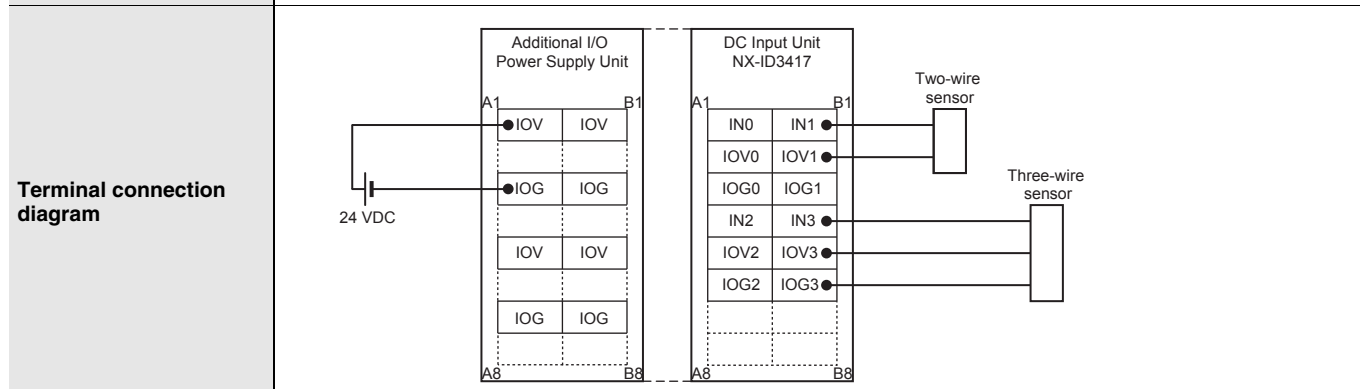
<b>Disconnection/Short-circuit detection</b>	Not supported.	<b>Protective function</b>	Not supported.
--	----------------	----------------------------	----------------

## NX-ID3417

<b>Unit name</b>	DC Input Unit	<b>Model</b>	NX-ID3417
<b>Capacity</b>	4 points	<b>External connection terminals</b>	Screwless clamping terminal block (12 terminals)
<b>I/O refreshing method</b>	Selectable Synchronous I/O refreshing or Free-Run refreshing		
<b>Indicators</b>	TS indicator, input indicator 	<b>Internal I/O common</b>	PNP
		<b>Rated input voltage</b>	12 to 24 VDC (9 to 28.8 VDC)
		<b>Input current</b>	6 mA typical (at 24 VDC), rated current
		<b>ON voltage/ON current</b>	9 VDC min./3 mA min. (between IOG and each signal)
		<b>OFF voltage/OFF current</b>	2 VDC max./1 mA max. (between IOG and each signal)
		<b>ON/OFF response time</b>	20 μs max./400 μs max.
		<b>Input filter time</b>	Without filter, 0.25 ms, 0.5 ms, 1 ms (factory setting), 2 ms, 4 ms, 8 ms, 16 ms, 32 ms, 64 ms, 128 ms, 256 ms
<b>Dimensions</b>	12 (W) x 100 (H) x 71 (D)	<b>Isolation method</b>	Photocoupler isolation
<b>Insulation resistance</b>	20 MΩ min. between isolated circuits (at 100 VDC)	<b>Dielectric strength</b>	510 VAC between isolated circuits for 1 minute at a leakage current of 5 mA max.
<b>I/O power supply method</b>	Supply from the NX bus	<b>Current capacity of I/O power supply terminal</b>	IOV: 0.1 A/terminal max., IOG: 0.1 A/terminal max.
<b>NX Unit power consumption</b>	0.50 W max.	<b>Current consumption from I/O power supply</b>	No consumption
<b>Weight</b>	65 g max.		


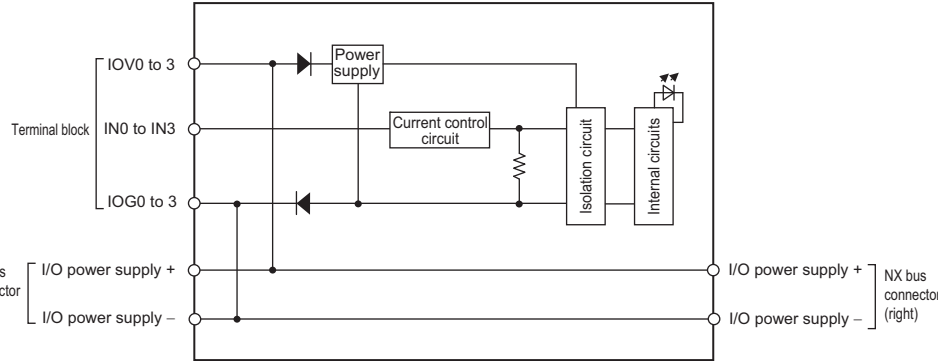
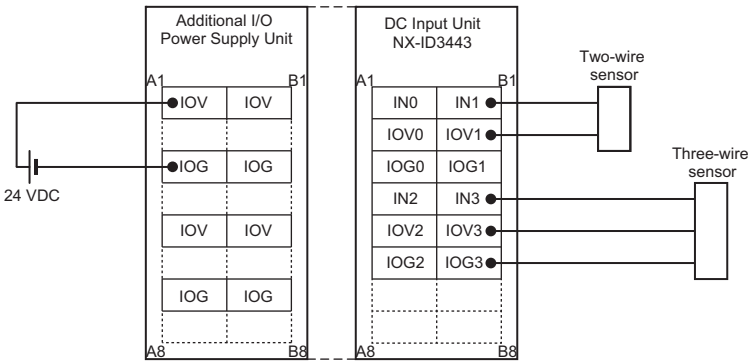


<b>Installation orientation and restrictions</b>	Installation orientation: Possible in 6 orientations. Restrictions: No restrictions
--	--




<b>Disconnection/Short-circuit detection</b>	Not supported.	<b>Protective function</b>	Not supported.
--	----------------	----------------------------	----------------

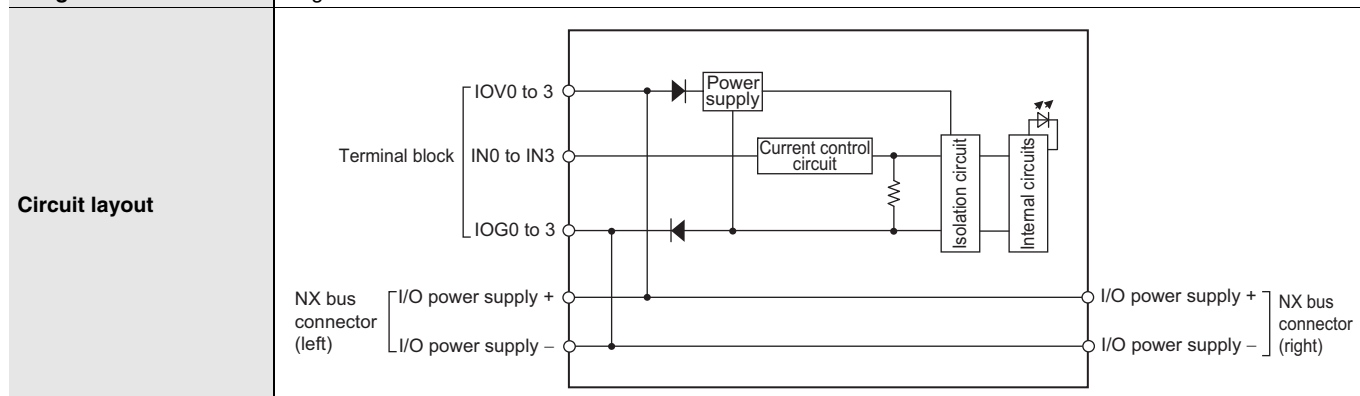
## NX-ID3443

<b>Unit name</b>	DC Input Unit	<b>Model</b>	NX-ID3443
<b>Capacity</b>	4 points	<b>External connection terminals</b>	Screwless clamping terminal block (12 terminals)
<b>I/O refreshing method</b>	Selectable Synchronous I/O refreshing or Free-Run refreshing		
<b>Indicators</b>	TS indicator, input indicator 	<b>Internal I/O common</b>	PNP
		<b>Rated input voltage</b>	24 VDC (15 to 28.8 VDC)
		<b>Input current</b>	3.5 mA typical (at 24 VDC), rated current
		<b>ON voltage/ON current</b>	15 VDC min./3 mA min. (between IOG and each signal)
		<b>OFF voltage/OFF current</b>	5 VDC max./1 mA max. (between IOG and each signal)
		<b>ON/OFF response time</b>	100 ns max./100 ns max.
		<b>Input filter time</b>	Without filter, 1 μs, 2 μs, 4 μs, 8 μs (factory setting), 16 μs, 32 μs, 64 μs, 128 μs, 256 μs
<b>Dimensions</b>	12 (W) x 100 (H) x 71 (D)	<b>Isolation method</b>	Digital isolator isolation
<b>Insulation resistance</b>	20 MΩ min. between isolated circuits (at 100 VDC)	<b>Dielectric strength</b>	510 VAC between isolated circuits for 1 minute at a leakage current of 5 mA max.
<b>I/O power supply method</b>	Supply from the NX bus	<b>Current capacity of I/O power supply terminal</b>	IOV: 0.1 A/terminal max., IOG: 0.1 A/terminal max.
<b>NX Unit power consumption</b>	0.55 W max.	<b>Current consumption from I/O power supply</b>	30 mA max.
<b>Weight</b>	65 g max.		
<b>Circuit layout</b>			
<b>Installation orientation and restrictions</b>	Installation orientation: Possible in 6 orientations. Restrictions: No restrictions		
<b>Terminal connection diagram</b>			
<b>Disconnection/Short-circuit detection</b>	Not supported.	<b>Protective function</b>	Not supported.

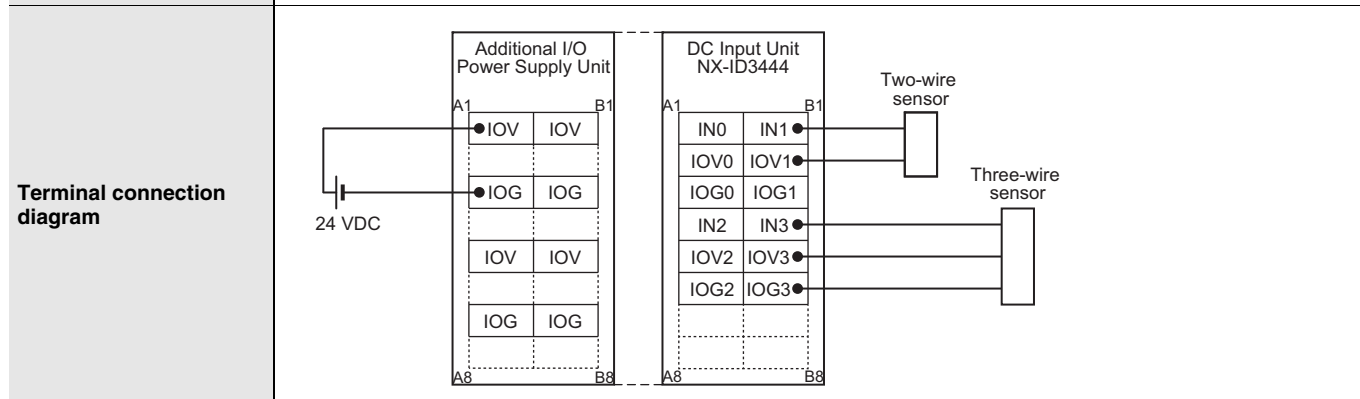


## NX-ID3444

<b>Unit name</b>	DC Input Unit	<b>Model</b>	NX-ID3444
<b>Capacity</b>	4 points	<b>External connection terminals</b>	Screwless clamping terminal block (12 terminals)
<b>I/O refreshing method</b>	Input refreshing with input changed time		
<b>Indicators</b>	TS indicator, input indicators 	<b>Internal I/O common</b>	PNP
		<b>Rated input voltage</b>	24 VDC (15 to 28.8 VDC)
		<b>Input current</b>	3.5 mA typical (at 24 VDC), rated current
		<b>ON voltage/ON current</b>	15 VDC min./3 mA min. (between IOG and each signal)
		<b>OFF voltage/OFF current</b>	5 VDC max./1 mA max. (between IOG and each signal)
		<b>ON/OFF response time</b>	100 ns max./100 ns max.
<b>Input filter time</b>	No filter		
<b>Dimensions</b>	12 (W) x 100 (H) x 71 (D)	<b>Isolation method</b>	Digital isolator isolation
<b>Insulation resistance</b>	20 MΩ min. between isolated circuits (at 100 VDC)	<b>Dielectric strength</b>	510 VAC between isolated circuits for 1 minute at a leakage current of 5 mA max.
<b>I/O power supply method</b>	Supply from the NX bus	<b>Current capacity of I/O power supply terminal</b>	IOV: 0.1 A/terminal max., IOG: 0.1 A/terminal max.
<b>NX Unit power consumption</b>	0.55 W max.	<b>Current consumption from I/O power supply</b>	30 mA max.
<b>Weight</b>	65 g max.		

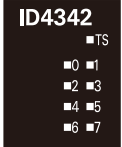


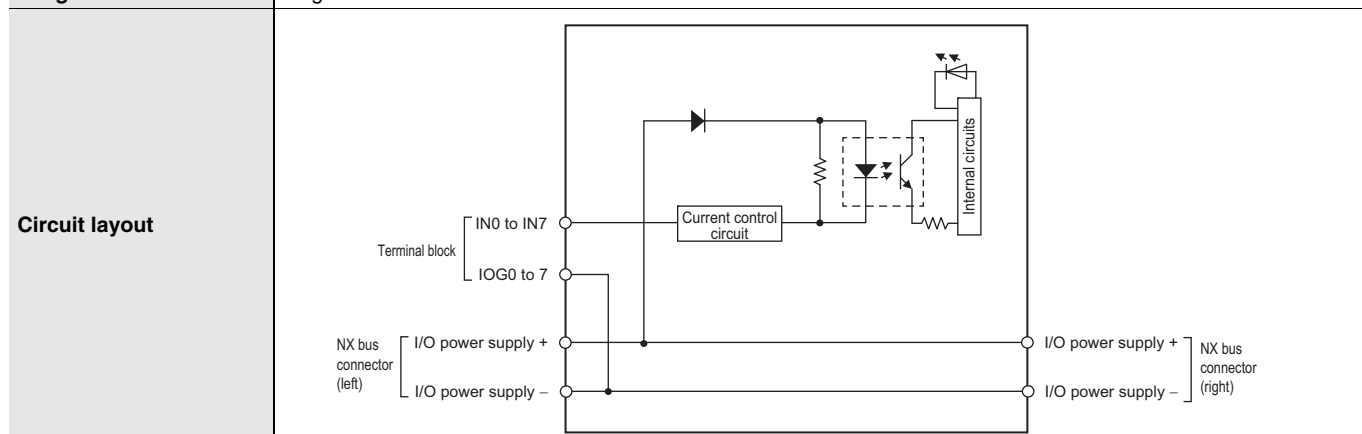
**Installation orientation and restrictions**  
 Installation orientation: Possible in 6 orientations.  
 Restrictions: No restrictions



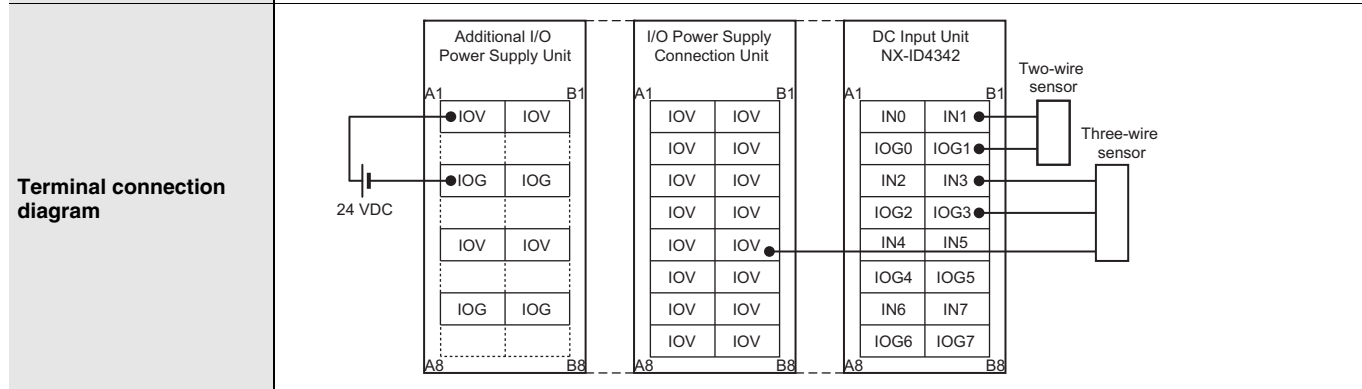
<b>Disconnection/Short-circuit detection</b>	Not supported.	<b>Protective function</b>	Not supported.
--	----------------	----------------------------	----------------

## NX-ID4342

<b>Unit name</b>	DC Input Unit	<b>Model</b>	NX-ID4342
<b>Capacity</b>	8 points	<b>External connection terminals</b>	Screwless clamping terminal block (16 terminals)
<b>I/O refreshing method</b>	Selectable Synchronous I/O refreshing or Free-Run refreshing		
<b>Indicators</b>	TS indicator, input indicator 	<b>Internal I/O common</b>	NPN
		<b>Rated input voltage</b>	24 VDC (15 to 28.8 VDC)
		<b>Input current</b>	3.5 mA typical (at 24 VDC), rated current
		<b>ON voltage/ON current</b>	15 VDC min./3 mA min. (between IOG and each signal)
		<b>OFF voltage/OFF current</b>	5 VDC max./1 mA max. (between IOG and each signal)
		<b>ON/OFF response time</b>	20 μs max./400 μs max.
		<b>Input filter time</b>	Without filter, 0.25 ms, 0.5 ms, 1 ms (factory setting), 2 ms, 4 ms, 8 ms, 16 ms, 32 ms, 64 ms, 128 ms, 256 ms
<b>Dimensions</b>	12 (W) x 100 (H) x 71 (D)	<b>Isolation method</b>	Photocoupler isolation
<b>Insulation resistance</b>	20 MΩ min. between isolated circuits (at 100 VDC)	<b>Dielectric strength</b>	510 VAC between isolated circuits for 1 minute at a leakage current of 5 mA max.
<b>I/O power supply method</b>	Supply from the NX bus	<b>Current capacity of I/O power supply terminal</b>	IOG: 0.1 A/terminal max.
<b>NX Unit power consumption</b>	0.50 W max.	<b>Current consumption from I/O power supply</b>	No consumption
<b>Weight</b>	65 g max.		

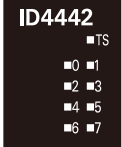


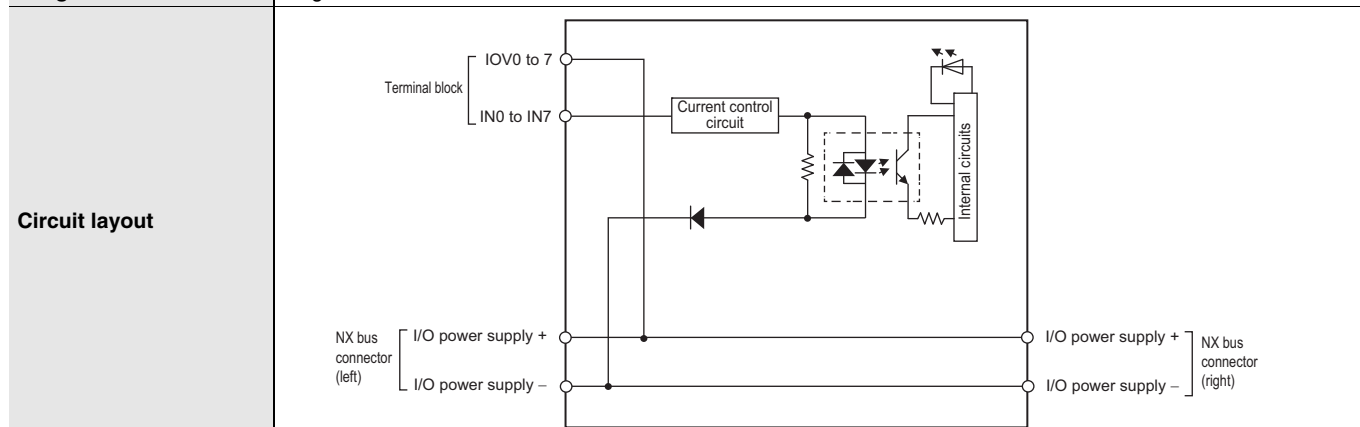
**Installation orientation and restrictions**  
 Installation orientation: Possible in 6 orientations.  
 Restrictions: No restrictions



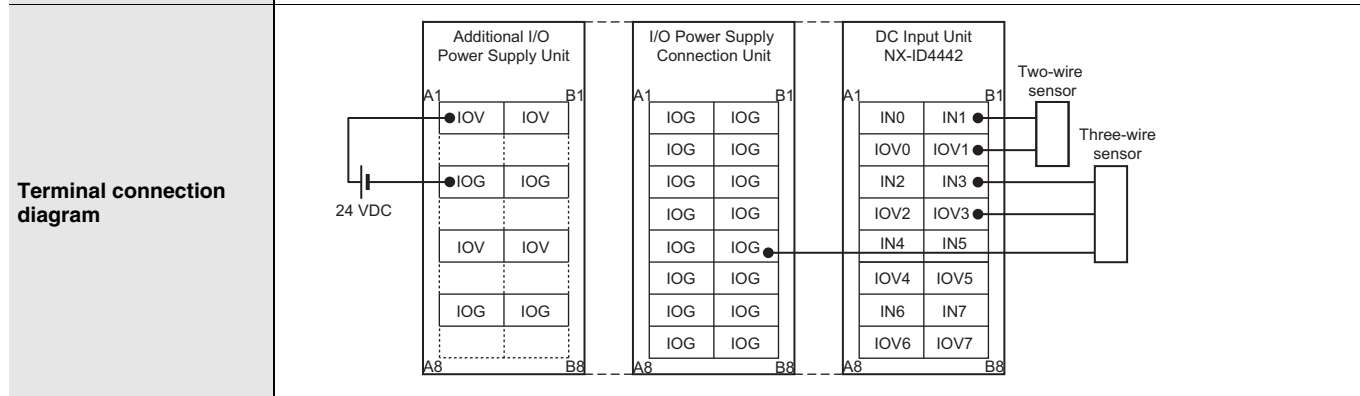
<b>Disconnection/Short-circuit detection</b>	Not supported.	<b>Protective function</b>	Not supported.
--	----------------	----------------------------	----------------

## NX-ID4442

<b>Unit name</b>	DC Input Unit	<b>Model</b>	NX-ID4442
<b>Capacity</b>	8 points	<b>External connection terminals</b>	Screwless clamping terminal block (16 terminals)
<b>I/O refreshing method</b>	Selectable Synchronous I/O refreshing or Free-Run refreshing		
<b>Indicators</b>	TS indicator, input indicator 	<b>Internal I/O common</b>	PNP
		<b>Rated input voltage</b>	24 VDC (15 to 28.8 VDC)
		<b>Input current</b>	3.5 mA typical (at 24 VDC), rated current
		<b>ON voltage/ON current</b>	15 VDC min./3 mA min. (between IOG and each signal)
		<b>OFF voltage/OFF current</b>	5 VDC max./1 mA max. (between IOG and each signal)
		<b>ON/OFF response time</b>	20 μs max./400 μs max.
		<b>Input filter time</b>	Without filter, 0.25 ms, 0.5 ms, 1 ms (factory setting), 2 ms, 4 ms, 8 ms, 16 ms, 32 ms, 64 ms, 128 ms, 256 ms
<b>Dimensions</b>	12 (W) x 100 (H) x 71 (D)	<b>Isolation method</b>	Photocoupler isolation
<b>Insulation resistance</b>	20 MΩ min. between isolated circuits (at 100 VDC)	<b>Dielectric strength</b>	510 VAC between isolated circuits for 1 minute at a leakage current of 5 mA max.
<b>I/O power supply method</b>	Supply from the NX bus	<b>Current capacity of I/O power supply terminal</b>	IOV: 0.1 A/terminal max.
<b>NX Unit power consumption</b>	0.50 W max.	<b>Current consumption from I/O power supply</b>	No consumption
<b>Weight</b>	65 g max.		

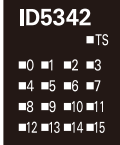


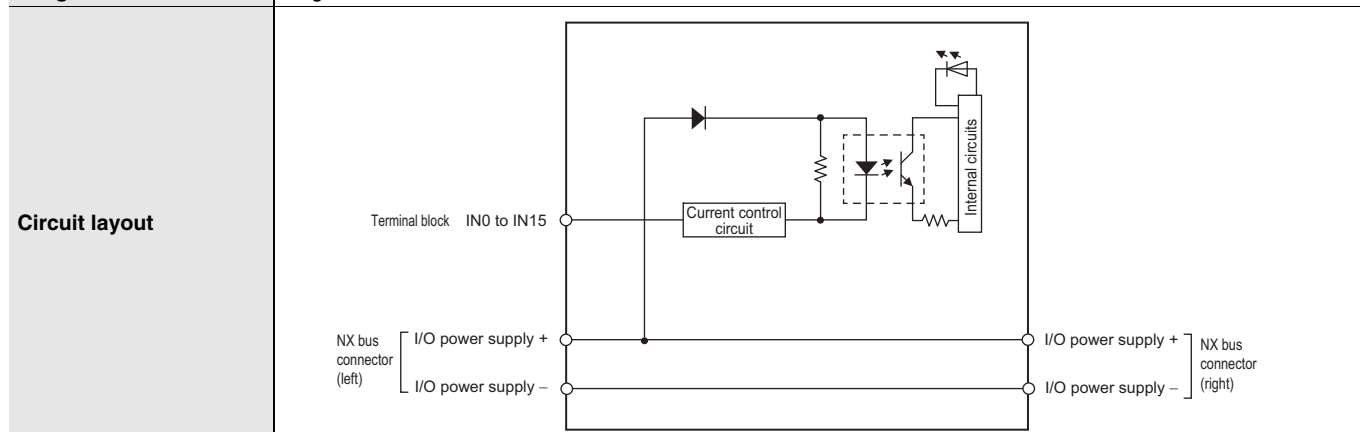
**Installation orientation and restrictions**  
 Installation orientation: Possible in 6 orientations.  
 Restrictions: No restrictions



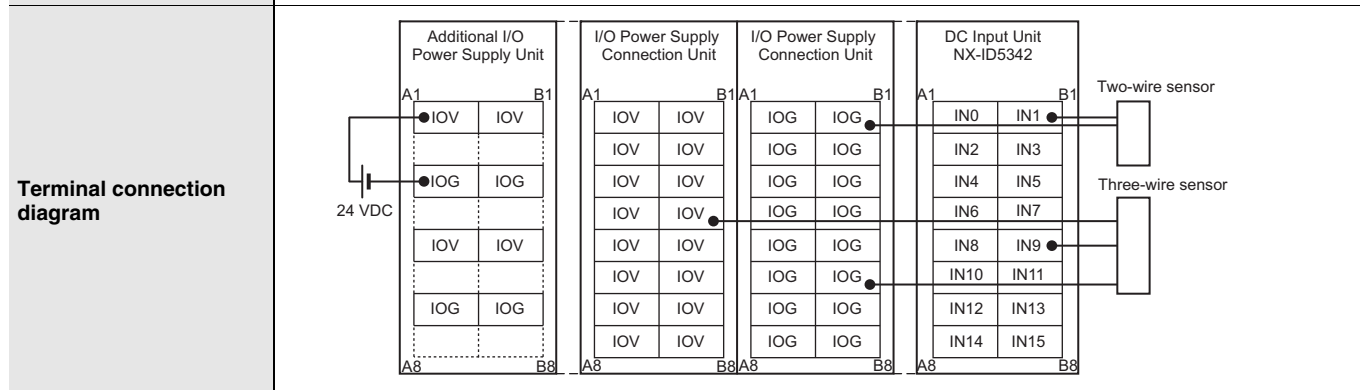
<b>Disconnection/Short-circuit detection</b>	Not supported.	<b>Protective function</b>	Not supported.
--	----------------	----------------------------	----------------

## NX-ID5342

<b>Unit name</b>	DC Input Unit	<b>Model</b>	NX-ID5342
<b>Capacity</b>	16 points	<b>External connection terminals</b>	Screwless clamping terminal block (16 terminals)
<b>I/O refreshing method</b>	Selectable Synchronous I/O refreshing or Free-Run refreshing		
<b>Indicators</b>	TS indicator, input indicator 	<b>Internal I/O common</b>	NPN
		<b>Rated input voltage</b>	24 VDC (15 to 28.8 VDC)
		<b>Input current</b>	2.5 mA typical (at 24 VDC), rated current
		<b>ON voltage/ON current</b>	15 VDC min./2 mA min. (between IOG and each signal)
		<b>OFF voltage/OFF current</b>	5 VDC max./0.5 mA max. (between IOG and each signal)
		<b>ON/OFF response time</b>	20 μs max./400 μs max.
		<b>Input filter time</b>	Without filter, 0.25 ms, 0.5 ms, 1 ms (factory setting), 2 ms, 4 ms, 8 ms, 16 ms, 32 ms, 64 ms, 128 ms, 256 ms
<b>Dimensions</b>	12 (W) x 100 (H) x 71 (D)	<b>Isolation method</b>	Photocoupler isolation
<b>Insulation resistance</b>	20 MΩ min. between isolated circuits (at 100 VDC)	<b>Dielectric strength</b>	510 VAC between isolated circuits for 1 minute at a leakage current of 5 mA max.
<b>I/O power supply method</b>	Supply from the NX bus	<b>Current capacity of I/O power supply terminal</b>	Without I/O power supply terminals
<b>NX Unit power consumption</b>	0.55 W max.	<b>Current consumption from I/O power supply</b>	No consumption
<b>Weight</b>	65 g max.		

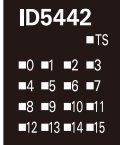


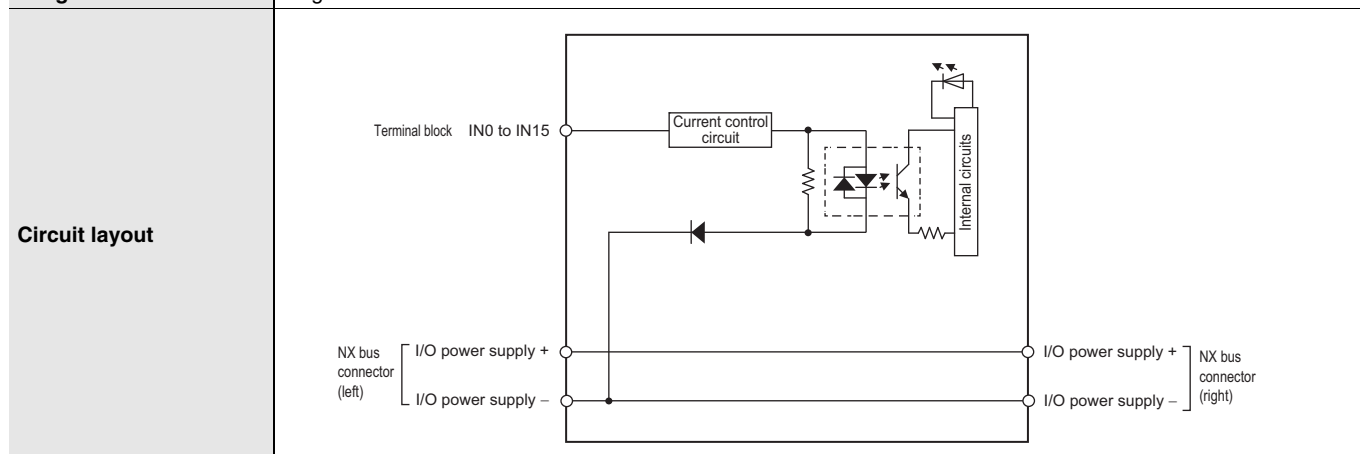
**Installation orientation and restrictions**  
 Installation orientation: Possible in 6 orientations.  
 Restrictions: No restrictions



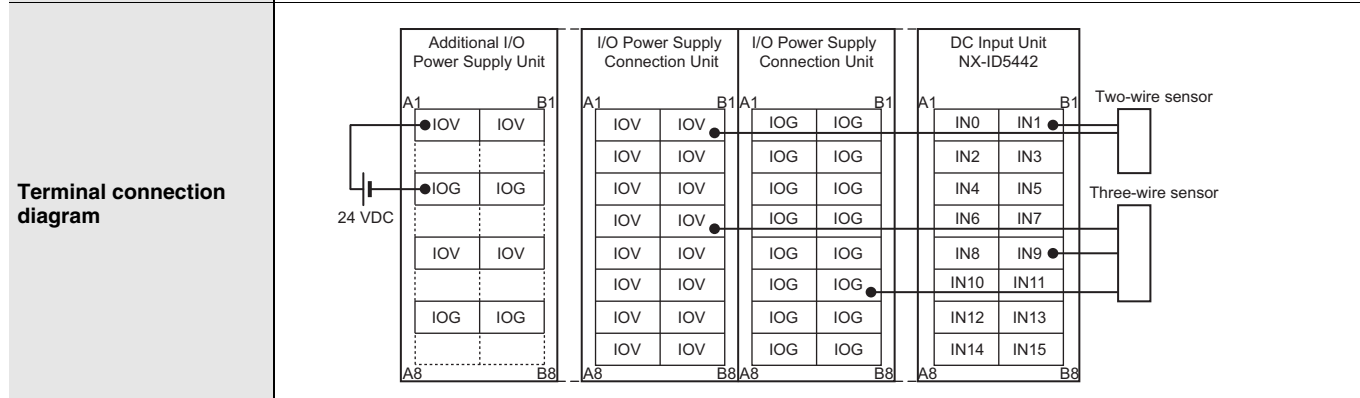
<b>Disconnection/Short-circuit detection</b>	Not supported.	<b>Protective function</b>	Not supported.
--	----------------	----------------------------	----------------

## NX-ID5442

<b>Unit name</b>	DC Input Unit	<b>Model</b>	NX-ID5442
<b>Capacity</b>	16 points	<b>External connection terminals</b>	Screwless clamping terminal block (16 terminals)
<b>I/O refreshing method</b>	Selectable Synchronous I/O refreshing or Free-Run refreshing		
<b>Indicators</b>	TS indicator, input indicator 	<b>Internal I/O common</b>	PNP
		<b>Rated input voltage</b>	24 VDC (15 to 28.8 VDC)
		<b>Input current</b>	2.5 mA typical (at 24 VDC), rated current
		<b>ON voltage/ON current</b>	15 VDC min./2 mA min. (between IOG and each signal)
		<b>OFF voltage/OFF current</b>	5 VDC max./0.5 mA max. (between IOG and each signal)
		<b>ON/OFF response time</b>	20 μs max./400 μs max.
		<b>Input filter time</b>	Without filter, 0.25 ms, 0.5 ms, 1 ms (factory setting), 2 ms, 4 ms, 8 ms, 16 ms, 32 ms, 64 ms, 128 ms, 256 ms
<b>Dimensions</b>	12 (W) x 100 (H) x 71 (D)	<b>Isolation method</b>	Photocoupler isolation
<b>Insulation resistance</b>	20 MΩ min. between isolated circuits (at 100 VDC)	<b>Dielectric strength</b>	510 VAC between isolated circuits for 1 minute at a leakage current of 5 mA max.
<b>I/O power supply method</b>	Supply from the NX bus	<b>Current capacity of I/O power supply terminal</b>	Without I/O power supply terminals
<b>NX Unit power consumption</b>	0.55 W max.	<b>Current consumption from I/O power supply</b>	No consumption
<b>Weight</b>	65 g max.		

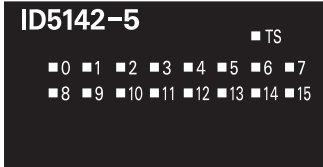


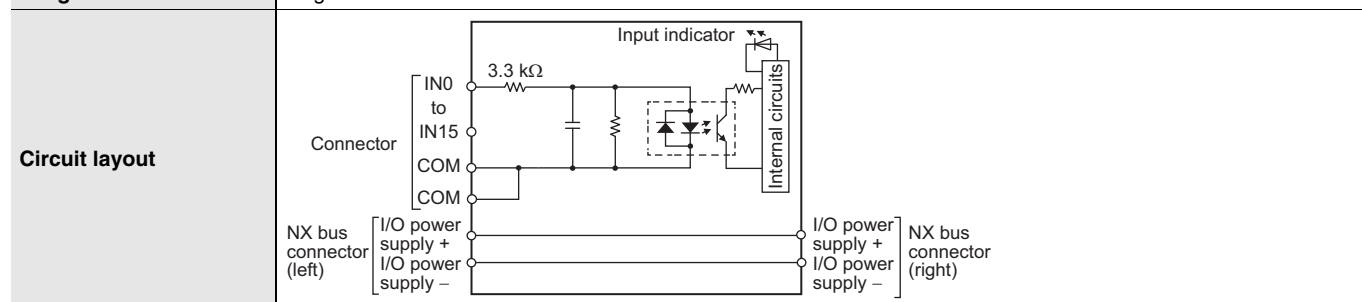
<b>Installation orientation and restrictions</b>	Installation orientation: Possible in 6 orientations. Restrictions: No restrictions
--	--



<b>Disconnection/Short-circuit detection</b>	Not supported.	<b>Protective function</b>	Not supported.
--	----------------	----------------------------	----------------

● DC Input Units (MIL Connector, 30 mm Width)  
**NX-ID5142-5**

<b>Unit name</b>	DC Input Unit	<b>Model</b>	NX-ID5142-5
<b>Number of points</b>	16 points	<b>External connection terminals</b>	MIL connector (20 terminals)
<b>I/O refreshing method</b>	Switching Synchronous I/O refreshing and Free-Run refreshing		
<b>Indicators</b>	<p>TS indicator, input indicators</p>  <p><b>ID5142-5</b></p> <p>■ TS</p> <p>■ 0 ■ 1 ■ 2 ■ 3 ■ 4 ■ 5 ■ 6 ■ 7</p> <p>■ 8 ■ 9 ■ 10 ■ 11 ■ 12 ■ 13 ■ 14 ■ 15</p>	<b>Internal I/O common</b>	For both NPN/PNP
		<b>Rated input voltage</b>	24 VDC (15 to 28.8 VDC)
		<b>Input current</b>	7 mA typical (at 24 VDC)
		<b>ON voltage/ON current</b>	15 VDC min./3 mA min. (between COM and each signal)
		<b>OFF voltage/OFF current</b>	5 VDC max./1 mA max. (between COM and each signal)
		<b>ON/OFF response time</b>	20 μs max./400 μs max.
		<b>Input filter time</b>	No filter, 0.25 ms, 0.5 ms, 1 ms (default), 2 ms, 4 ms, 8 ms, 16 ms, 32 ms, 64 ms, 128 ms, 256 ms
<b>Dimensions</b>	30 (W) x 100 (H) x 71 (D)	<b>Isolation method</b>	Photocoupler isolation
<b>Insulation resistance</b>	20 MΩ min. between isolated circuits (at 100 VDC)	<b>Dielectric strength</b>	510 VAC between isolated circuits for 1 minute at a leakage current of 5 mA max.
<b>I/O power supply method</b>	Supply from external source	<b>Current capacity of I/O power supply terminal</b>	Without I/O power supply terminals
<b>NX Unit power consumption</b>	0.55 W max.	<b>Current consumption from I/O power supply</b>	No consumption
<b>Weight</b>	85 g max.		

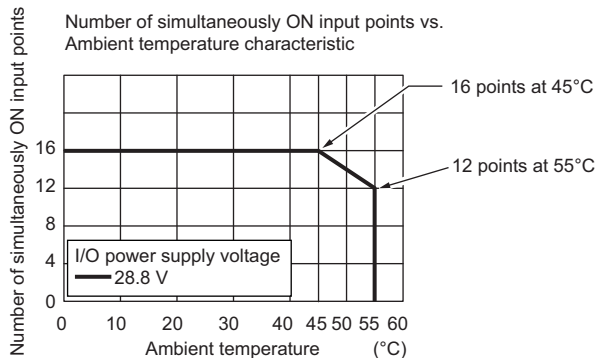


**Installation orientation and restrictions**

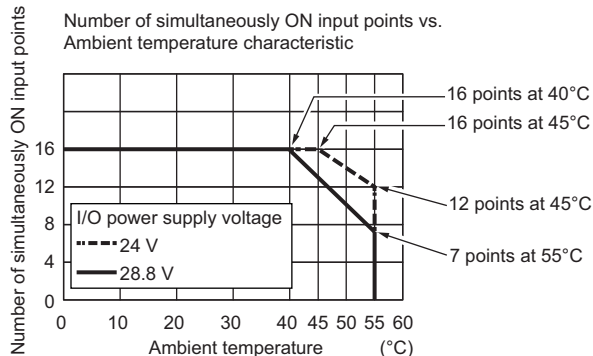
Installation orientation: Possible in 6 orientations.

Restrictions: As shown in the following.

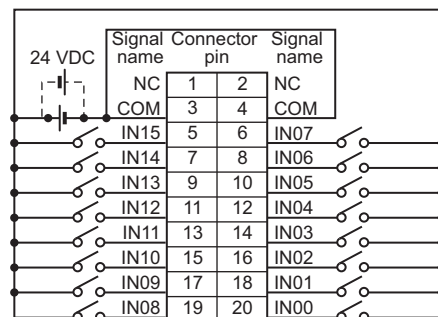
- For upright installation



- For any installation other than upright



**Terminal connection diagram**



- The polarity of the input power supply can be connected in either direction.
- Be sure to wire both pins 3 and 4 (COM), and set the same polarity for both pins.

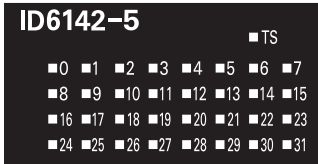
**Disconnection/Short-circuit detection**

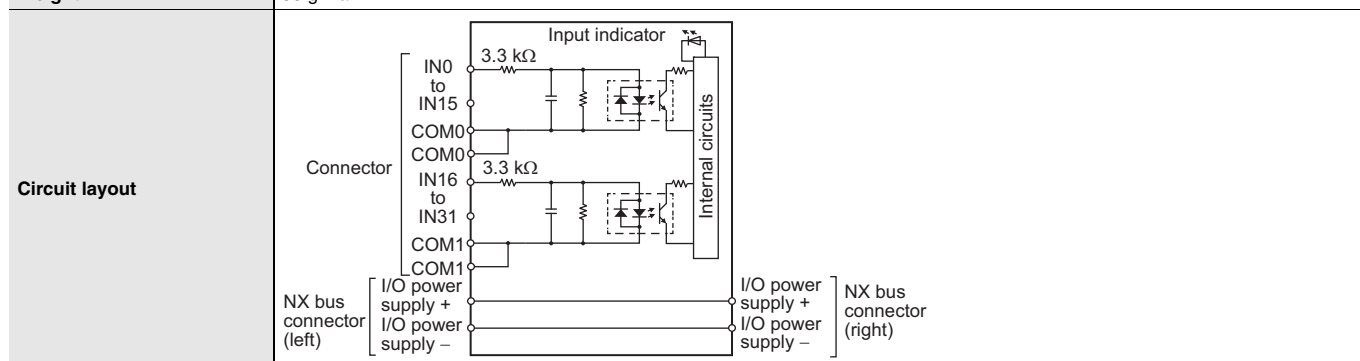
Not supported.

**Protective function**

Not supported.

## NX-ID6142-5

<b>Unit name</b>	DC Input Unit	<b>Model</b>	NX-ID6142-5
<b>Number of points</b>	32 points	<b>External connection terminals</b>	MIL connector (40 terminals)
<b>I/O refreshing method</b>	Switching Synchronous I/O refreshing and Free-Run refreshing		
<b>Indicators</b>	TS indicator, input indicators	<b>Internal I/O common</b>	For both NPN/PNP
		<b>Rated input voltage</b>	24 VDC (19 to 28.8 VDC)
		<b>Input current</b>	4.1 mA typical (24 VDC)
		<b>ON voltage/ON current</b>	19 VDC min./3 mA min. (between COM and each signal)
		<b>OFF voltage/OFF current</b>	5 VDC max./1 mA max. (between COM and each signal)
		<b>ON/OFF response time</b>	20 μs max./400 μs max.
		<b>Input filter time</b>	No filter, 0.25 ms, 0.5 ms, 1 ms (default), 2 ms, 4 ms, 8 ms, 16 ms, 32 ms, 64 ms, 128 ms, 256 ms
<b>Dimensions</b>	30 (W) x 100 (H) x 71 (D)	<b>Isolation method</b>	Photocoupler isolation
<b>Insulation resistance</b>	20 MΩ min. between isolated circuits (at 100 VDC)	<b>Dielectric strength</b>	510 VAC between isolated circuits for 1 minute at a leakage current of 5 mA max.
<b>I/O power supply method</b>	Supply from external source	<b>Current capacity of I/O power supply terminal</b>	Without I/O power supply terminals
<b>NX Unit power consumption</b>	0.60 W max.	<b>Current consumption from I/O power supply</b>	No consumption
<b>Weight</b>	90 g max.		

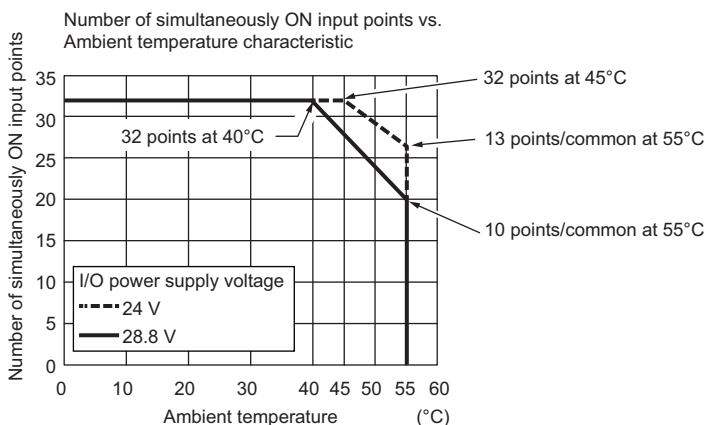




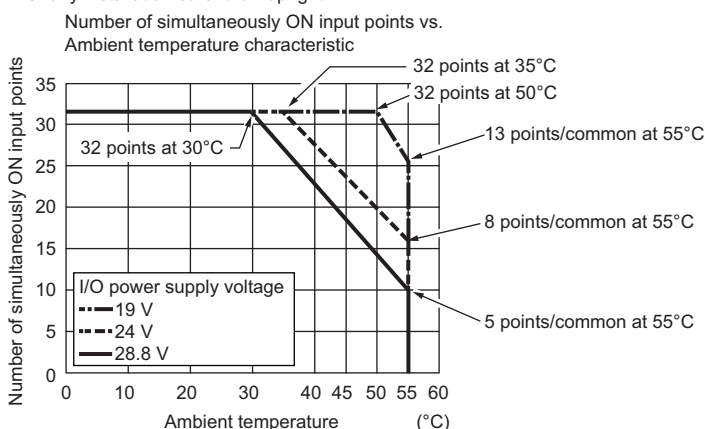
**Installation orientation and restrictions**

Installation orientation: Possible in 6 orientations.  
Restrictions: As shown in the following.

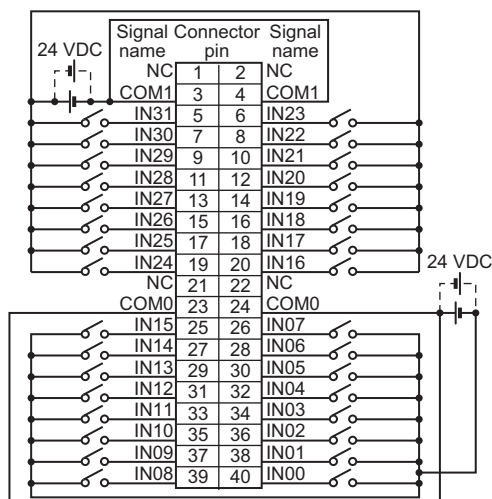
- For upright installation



- For any installation other than upright



**Terminal connection diagram**



- The polarity of the input power supply can be connected in either direction.
- Be sure to wire both pins 23 and 24 (COM0), and set the same polarity for both pins.
- Be sure to wire both pins 3 and 4 (COM1), and set the same polarity for both pins.


**Disconnection/Short-circuit detection**

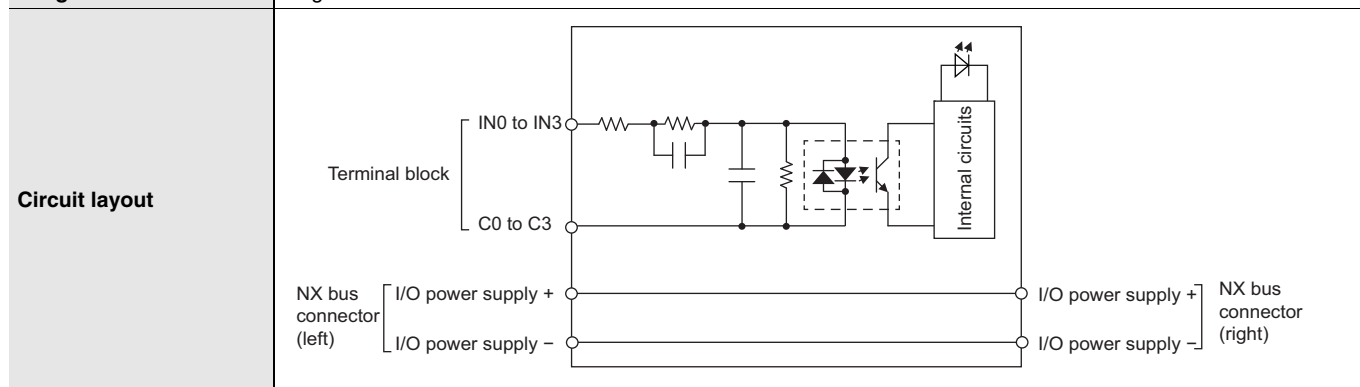
Not supported.

**Protective function**

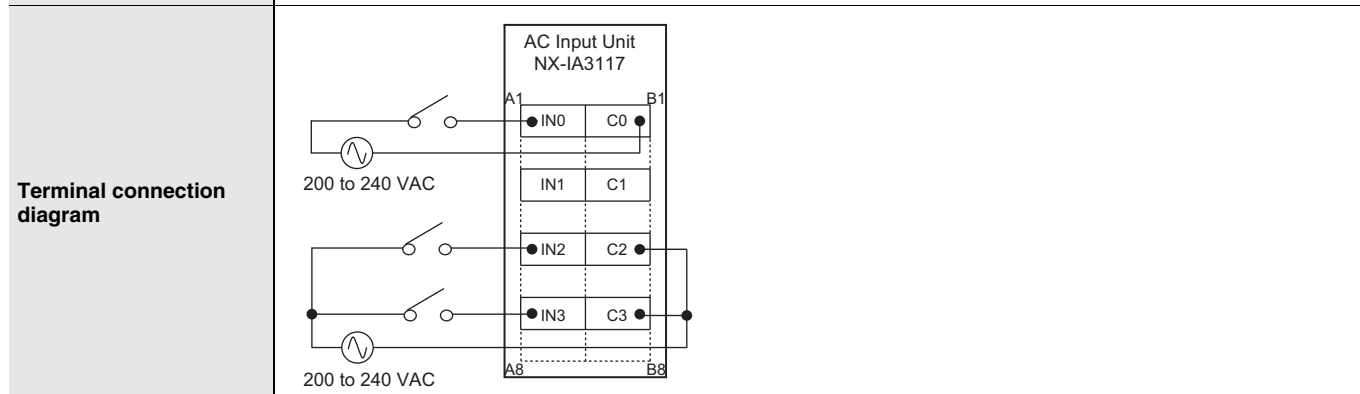
Not supported.

● AC Input Units (Screwless Clamping Terminal Block, 12 mm Width)  
**NX-IA3117**

<b>Unit name</b>	AC Input Unit	<b>Model</b>	NX-IA3117
<b>Number of points</b>	4 points, independent contacts	<b>External connection terminals</b>	Screwless clamping terminal block (8 terminals)
<b>Capacity</b>	Free-Run refreshing		
<b>Indicators</b>	TS indicator, input indicator 	<b>Internal I/O common</b>	No polarity
		<b>Rated input voltage</b>	200 to 240 VAC, 50/60 Hz (170 to 264 VAC, ±3 Hz)
		<b>Input current</b>	9 mA typical (at 200 VAC, 50 Hz) 11 mA typical (at 200 VAC, 60 Hz)
		<b>ON voltage/ON current</b>	120 VAC min./4 mA min.
		<b>OFF voltage/OFF current</b>	40 VAC max./2 mA max.
		<b>ON/OFF response time</b>	10 ms max./40 ms max.
		<b>Input filter time</b>	No filter, 0.25 ms, 0.5 ms, 1 ms (default), 2 ms, 4 ms, 8 ms, 16 ms, 32 ms, 64 ms, 128 ms, 256 ms
<b>Dimensions</b>	12 (W) x 100 (H) x 71 (D)	<b>Isolation method</b>	Photocoupler isolation
<b>Insulation resistance</b>	Between each AC input circuit: 20 MΩ min. (at 500 VDC) Between the external terminals and the functional ground terminal: 20 MΩ min. (at 500 VDC) Between the external terminals and internal circuits: 20 MΩ min. (at 500 VDC) Between the internal circuit and the functional ground terminal: 20 MΩ min. (at 100 VDC)	<b>Dielectric strength</b>	Between each AC input circuit: AC3700V VAC for 1 min at a leakage current of 5 mA max. Between the external terminals and functional ground terminal: 2300 VAC for 1 min at a leakage current of 5 mA max. Between the external terminals and internal circuits: 2300 VAC for 1 min at a leakage current of 5 mA max. Between the internal circuit and the functional ground terminal: 510 VAC for 1 min at a leakage current of 5 mA max.
<b>I/O power supply method</b>	Supplied from external source.	<b>Current capacity of I/O power supply terminal</b>	Without I/O power supply terminals
<b>NX Unit power consumption</b>	0.5 W max.	<b>Current consumption from I/O power supply</b>	No consumption
<b>Weight</b>	60 g max.		



**Installation orientation and restrictions**  
 Installation orientation: Possible in 6 orientations.  
 Restrictions: No restrictions



<b>Disconnection/Short-circuit detection</b>	Not supported.	<b>Protective function</b>	Not supported.
--	----------------	----------------------------	----------------

## Version Information

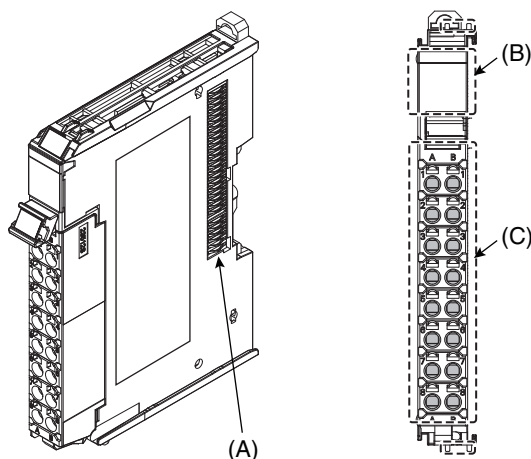
NX Units		Corresponding unit versions/versions		
Model	Unit Version	EtherCAT Coupler Units NX-ECC201/ECC202 *	NJ-series CPU Units NJ501-□□□□/ NJ301-□□□□	Sysmac Studio
NX-ID3317	Ver.1.0	Version 1.0 or later	Version 1.05 or later	Version 1.06 or higher
NX-ID3343		Version 1.1 or later	Version 1.06 or later	Version 1.07 or higher
NX-ID3344		Version 1.0 or later	Version 1.05 or later	Version 1.06 or higher
NX-ID3417		Version 1.1 or later	Version 1.06 or later	Version 1.07 or higher
NX-ID3443		Version 1.0 or later	Version 1.05 or later	Version 1.06 or higher
NX-ID3444				Ver.1.10 or higher
NX-ID4342				Version 1.06 or higher
NX-ID4442				Version 1.06 or higher
NX-ID5142-5				Ver.1.10 or higher
NX-ID5342				Version 1.06 or higher
NX-ID5442		Version 1.08 or higher		
NX-ID6142-5				
NX-IA3117				

\* For the NX-ECC202, there is no unit version of 1.1 or earlier.

## External Interface

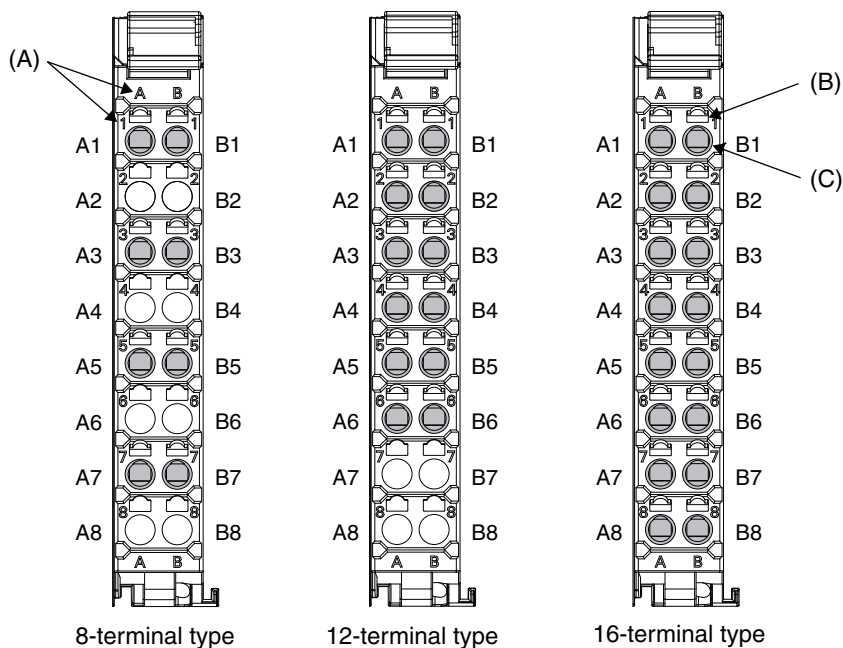
### Screwless Clamping Terminal Block Type

● 12 mm Width



Symbol	Name	Function
(A)	NX bus connector	This connector is used to connect each Unit.
(B)	Indicators	The indicators show the current operating status of the Unit.
(C)	Terminal block	The terminal block is used to connect external devices. The number of terminals depends on the type of Unit.

#### Terminal Blocks



Symbol	Name	Function
(A)	Terminal number indications	Terminal numbers for which A to D indicate the column, and 1 to 8 indicate the line are displayed. The terminal number is a combination of column and line, so A1 to A8 and B1 to B8 are displayed. The terminal number indications are the same regardless of the number of terminals on the terminal block.
(B)	Release holes	Insert a flat-blade screwdriver into these holes to connect and remove the wires.
(C)	Terminal holes	The wires are inserted into these holes.

#### Applicable Terminal Blocks for Each Unit Model

Unit model	Terminal Blocks				
	Model	No. of terminals	Terminal number indications	Ground terminal mark	Terminal current capacity
NX-ID3□□□	NX-TBA122	12	A/B	None	10 A
NX-ID4□□□	NX-TBA162	16	A/B	None	10 A
NX-ID5□□□	NX-TBA162	16	A/B	None	10 A
NX-IA3117	NX-TBA082	8	A/B	None	10 A

## Applicable Wires

### Using Ferrules

If you use ferrules, attach the twisted wires to them.

Observe the application instructions for your ferrules for the wire stripping length when attaching ferrules.

Always use one-pin ferrules. Do not use two-pin ferrules.

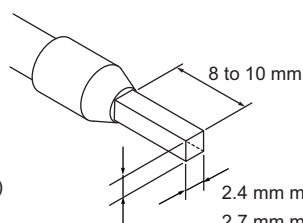
The applicable ferrules, wires, and crimping tool are given in the following table.

Terminal types	Manufacturer	Ferrule model number	Applicable wire (mm <sup>2</sup> (AWG))	Crimping tool
Terminals other than ground terminals	Phoenix Contact	AI0,34-8	0.34 (#22)	Phoenix Contact (The figure in parentheses is the applicable wire size.) CRIMPFOX 6 (0.25 to 6 mm <sup>2</sup> , AWG24 to 10)
		AI0,5-8	0.5 (#20)	
		AI0,5-10		
		AI0,75-8	0.75 (#18)	
		AI0,75-10		
		AI1,0-8	1.0 (#18)	
		AI1,0-10		
		AI1,5-8	1.5 (#16)	
Ground terminals		AI1,5-10		
Terminals other than ground terminals	Weidmuller	H0.14/12	0.14 (#26)	Weidmuller (The figure in parentheses is the applicable wire size.) PZ6 Roto (0.14 to 6 mm <sup>2</sup> , AWG 26 to 10)
		H0.25/12	0.25 (#24)	
		H0.34/12	0.34 (#22)	
		H0.5/14	0.5 (#20)	
		H0.5/16		
		H0.75/14	0.75 (#18)	
		H0.75/16		
		H1.0/14	1.0 (#18)	
		H1.0/16		
		H1.5/14	1.5 (#16)	
		H1.5/16		

\* Some AWG 14 wires exceed 2.0 mm<sup>2</sup> and cannot be used in the screwless clamping terminal block.

When you use any ferrules other than those in the above table, crimp them to the twisted wires so that the following processed dimensions are achieved.

Finished Dimensions of Ferrules



1.6 mm max. (except ground terminals)

2.0 mm max. (ground terminals)

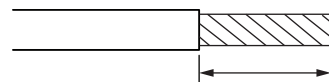
2.4 mm max. (except ground terminals)

2.7 mm max. (ground terminals)

### Using Twisted Wires/Solid Wires

If you use the twisted wires or the solid wires, the applicable wire range and conductor length (stripping length) are as follows.

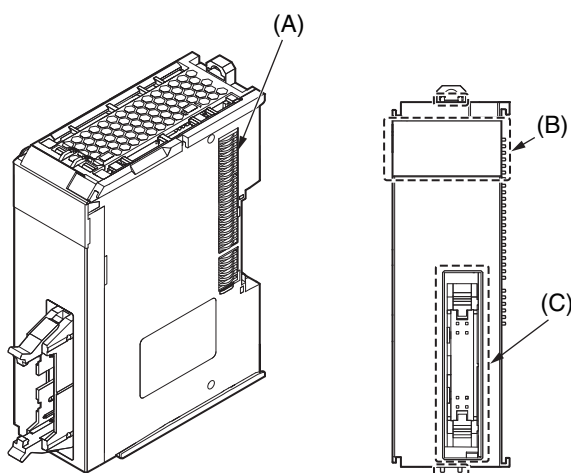
Terminal types	Applicable wires	Conductor length (stripping length)
Ground terminals	2.0 mm <sup>2</sup>	9 to 10 mm
Terminals other than ground terminals	0.08 to 1.5 mm <sup>2</sup> AWG28 to 16	8 to 10 mm



Conductor length (stripping length)

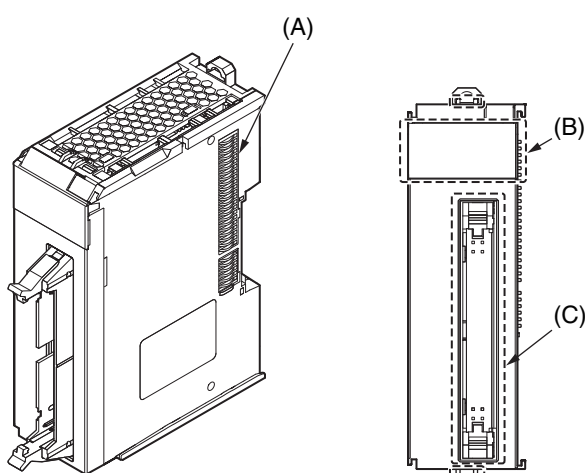
## Units with MIL Connectors

### ● 1 Connector with 20 Terminals



Letter	Name	Function
(A)	NX bus connector	This connector is used to connect each Unit.
(B)	Indicators	The indicators show the current operating status of the Unit.
(C)	Connectors	The connectors are used to connect to external devices.

### ● 1 Connector with 40 Terminals

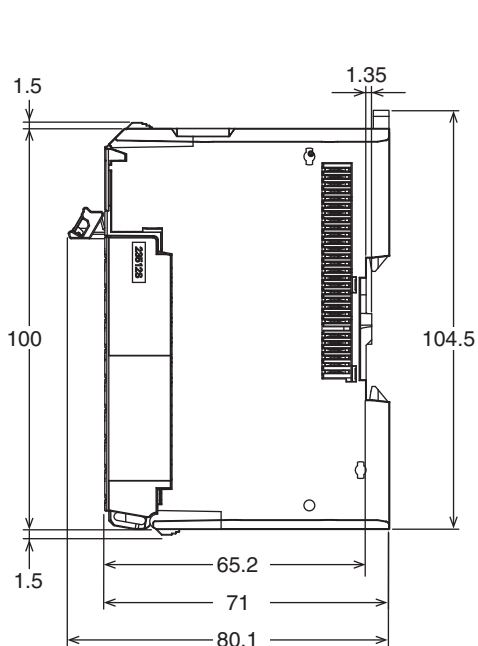


Letter	Name	Function
(A)	NX bus connector	This connector is used to connect each Unit.
(B)	Indicators	The indicators show the current operating status of the Unit.
(C)	Connectors	The connectors are used to connect to external devices.

## Dimensions

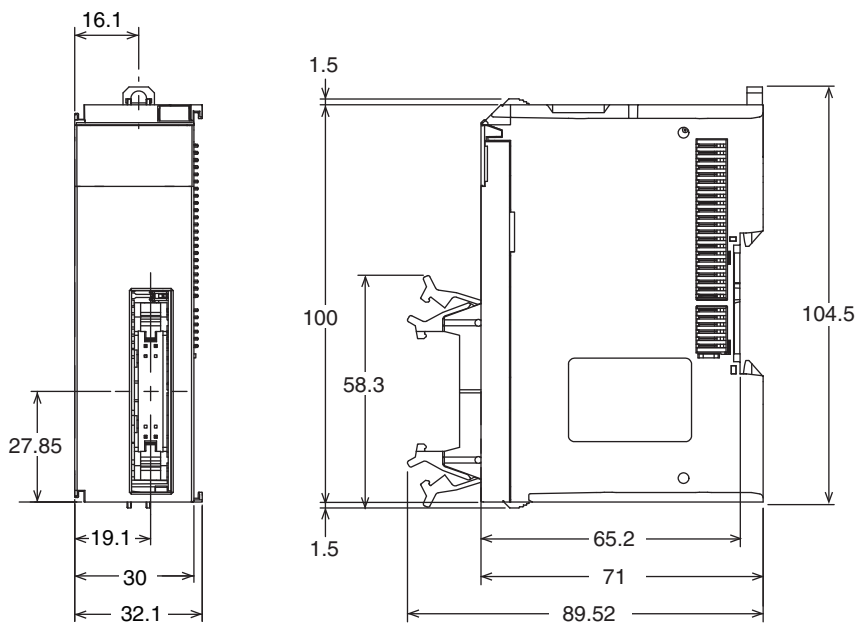
### Screwless Clamping Terminal Block Type

- 12 mm Width



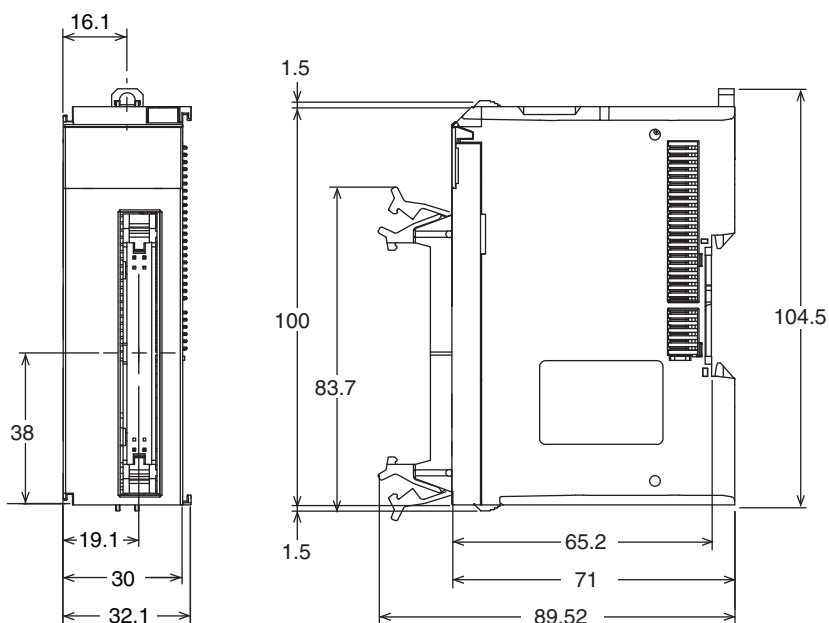
### Units with MIL Connectors (1 Connector with 20 terminals)

- 30 mm Width



**Units with MIL Connectors (1 Connector with 40 terminals)**

● 30 mm Width



**Related Manuals**

Cat. No.	Model number	Manual name	Application	Description
W521	NX-ID□□□□ NX-IA□□□□ NX-OD□□□□ NX-OC□□□□ NX-MD□□□□	NX-series Digital I/O Units User's Manual	Learning how to use NX-series Digital I/O Units	The hardware, setup methods, and functions of the NX-series Digital I/O Units are described.



## Terms and Conditions Agreement

### Read and understand this catalog.

Please read and understand this catalog before purchasing the products. Please consult your OMRON representative if you have any questions or comments.

### Warranties.

(a) Exclusive Warranty. Omron's exclusive warranty is that the Products will be free from defects in materials and workmanship for a period of twelve months from the date of sale by Omron (or such other period expressed in writing by Omron). Omron disclaims all other warranties, express or implied.

(b) Limitations. OMRON MAKES NO WARRANTY OR REPRESENTATION, EXPRESS OR IMPLIED, ABOUT NON-INFRINGEMENT, MERCHANTABILITY OR FITNESS FOR A PARTICULAR PURPOSE OF THE PRODUCTS. BUYER ACKNOWLEDGES THAT IT ALONE HAS DETERMINED THAT THE PRODUCTS WILL SUITABLY MEET THE REQUIREMENTS OF THEIR INTENDED USE.

Omron further disclaims all warranties and responsibility of any type for claims or expenses based on infringement by the Products or otherwise of any intellectual property right. (c) Buyer Remedy. Omron's sole obligation hereunder shall be, at Omron's election, to (i) replace (in the form originally shipped with Buyer responsible for labor charges for removal or replacement thereof) the non-complying Product, (ii) repair the non-complying Product, or (iii) repay or credit Buyer an amount equal to the purchase price of the non-complying Product; provided that in no event shall Omron be responsible for warranty, repair, indemnity or any other claims or expenses regarding the Products unless Omron's analysis confirms that the Products were properly handled, stored, installed and maintained and not subject to contamination, abuse, misuse or inappropriate modification. Return of any Products by Buyer must be approved in writing by Omron before shipment. Omron Companies shall not be liable for the suitability or unsuitability or the results from the use of Products in combination with any electrical or electronic components, circuits, system assemblies or any other materials or substances or environments. Any advice, recommendations or information given orally or in writing, are not to be construed as an amendment or addition to the above warranty.

See <http://www.omron.com/global/> or contact your Omron representative for published information.

### Limitation on Liability; Etc.

OMRON COMPANIES SHALL NOT BE LIABLE FOR SPECIAL, INDIRECT, INCIDENTAL, OR CONSEQUENTIAL DAMAGES, LOSS OF PROFITS OR PRODUCTION OR COMMERCIAL LOSS IN ANY WAY CONNECTED WITH THE PRODUCTS, WHETHER SUCH CLAIM IS BASED IN CONTRACT, WARRANTY, NEGLIGENCE OR STRICT LIABILITY.

Further, in no event shall liability of Omron Companies exceed the individual price of the Product on which liability is asserted.

### Suitability of Use.

Omron Companies shall not be responsible for conformity with any standards, codes or regulations which apply to the combination of the Product in the Buyer's application or use of the Product. At Buyer's request, Omron will provide applicable third party certification documents identifying ratings and limitations of use which apply to the Product. This information by itself is not sufficient for a complete determination of the suitability of the Product in combination with the end product, machine, system, or other application or use. Buyer shall be solely responsible for determining appropriateness of the particular Product with respect to Buyer's application, product or system. Buyer shall take application responsibility in all cases.

NEVER USE THE PRODUCT FOR AN APPLICATION INVOLVING SERIOUS RISK TO LIFE OR PROPERTY OR IN LARGE QUANTITIES WITHOUT ENSURING THAT THE SYSTEM AS A WHOLE HAS BEEN DESIGNED TO ADDRESS THE RISKS, AND THAT THE OMRON PRODUCT(S) IS PROPERLY RATED AND INSTALLED FOR THE INTENDED USE WITHIN THE OVERALL EQUIPMENT OR SYSTEM.

### Programmable Products.

Omron Companies shall not be responsible for the user's programming of a programmable Product, or any consequence thereof.

### Performance Data.

Data presented in Omron Company websites, catalogs and other materials is provided as a guide for the user in determining suitability and does not constitute a warranty. It may represent the result of Omron's test conditions, and the user must correlate it to actual application requirements. Actual performance is subject to the Omron's Warranty and Limitations of Liability.

### Change in Specifications.

Product specifications and accessories may be changed at any time based on improvements and other reasons. It is our practice to change part numbers when published ratings or features are changed, or when significant construction changes are made. However, some specifications of the Product may be changed without any notice. When in doubt, special part numbers may be assigned to fix or establish key specifications for your application. Please consult with your Omron's representative at any time to confirm actual specifications of purchased Product.

### Errors and Omissions.

Information presented by Omron Companies has been checked and is believed to be accurate; however, no responsibility is assumed for clerical, typographical or proofreading errors or omissions.

2014.7

In the interest of product improvement, specifications are subject to change without notice.

**OMRON Corporation**  
Industrial Automation Company

<http://www.ia.omron.com/>

(c)Copyright OMRON Corporation 2014 All Right Reserved.

# Mouser Electronics

Authorized Distributor

Click to View Pricing, Inventory, Delivery & Lifecycle Information:

Omron:

[NX-ID4342](#) [NX-ID3417](#) [NX-ID3343](#) [NX-ID5342](#) [NX-ID4442](#) [NX-ID3443](#) [NX-ID5442](#) [NX-ID3317](#)

Компания «Life Electronics» занимается поставками электронных компонентов импортного и отечественного производства от производителей и со складов крупных дистрибьюторов Европы, Америки и Азии.

С конца 2013 года компания активно расширяет линейку поставок компонентов по направлению коаксиальный кабель, кварцевые генераторы и конденсаторы (керамические, пленочные, электролитические), за счёт заключения дистрибьюторских договоров

Мы предлагаем:

- Конкурентоспособные цены и скидки постоянным клиентам.
- Специальные условия для постоянных клиентов.
- Подбор аналогов.
- Поставку компонентов в любых объемах, удовлетворяющих вашим потребностям.
- Приемлемые сроки поставки, возможна ускоренная поставка.
- Доставку товара в любую точку России и стран СНГ.
- Комплексную поставку.
- Работу по проектам и поставку образцов.
- Формирование склада под заказчика.
- Сертификаты соответствия на поставляемую продукцию (по желанию клиента).
- Тестирование поставляемой продукции.
- Поставку компонентов, требующих военную и космическую приемку.
- Входной контроль качества.
- Наличие сертификата ISO.

В составе нашей компании организован Конструкторский отдел, призванный помогать разработчикам, и инженерам.

Конструкторский отдел помогает осуществить:

- Регистрацию проекта у производителя компонентов.
- Техническую поддержку проекта.
- Защиту от снятия компонента с производства.
- Оценку стоимости проекта по компонентам.
- Изготовление тестовой платы монтаж и пусконаладочные работы.



Тел: +7 (812) 336 43 04 (многоканальный)

Email: [org@lifeelectronics.ru](mailto:org@lifeelectronics.ru)