

Knobs, Machined Aluminum

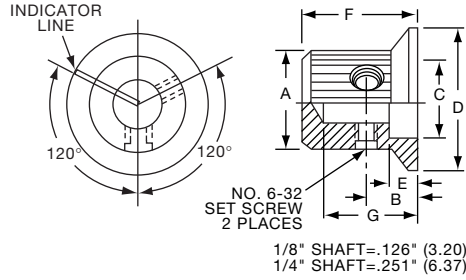
KLNS SERIES



KLNS500B1/8



KLNS900B1/4

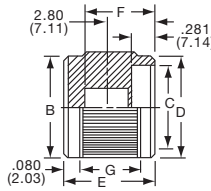


| Tyco Straight Knurl with Indicator Line on Top, Side and Skirt | | | | | | | | |
|--|-------------|---------|------------|------------|------------|------------|------------|------------|
| Electronics | Alcoswitch | Color | A | B | C | D | E | G |
| 1-1437622-6 | KLNS500A1/8 | Natural | .500(12.7) | .280(7.11) | .380(9.65) | .750(19.0) | .160(4.07) | .630(16.0) |
| 1-1437622-5 | KLNS500A1/4 | Natural | .500(12.7) | .280(7.11) | .380(9.65) | .750(19.0) | .160(4.07) | .630(16.0) |
| 1-1437622-8 | KLNS500B1/8 | Black | .500(12.7) | .280(7.11) | .380(9.65) | .750(19.0) | .160(4.07) | .630(16.0) |
| 1-1437622-7 | KLNS500B1/4 | Black | .500(12.7) | .280(7.11) | .380(9.65) | .750(19.0) | .160(4.07) | .630(16.0) |
| 2-1437622-0 | KLNS700A1/4 | Natural | .750(19.0) | .280(7.11) | .590(14.9) | 1.13(28.7) | .160(4.07) | .630(16.0) |
| 2-1437622-1 | KLNS700B1/4 | Black | .750(19.0) | .280(7.11) | .590(14.9) | 1.13(28.7) | .160(4.07) | .630(16.0) |
| 2-1437622-2 | KLNS900A1/4 | Natural | .940(23.9) | .280(7.11) | .710(18.0) | 1.40(35.5) | .160(4.07) | .630(16.0) |
| 2-1437622-3 | KLNS900B1/4 | Black | .940(23.9) | .280(7.11) | .710(18.0) | 1.40(35.5) | .160(4.07) | .630(16.0) |

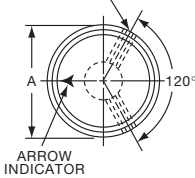
KN SERIES



KN501A1/4



NO. 6-32 SET SCREW 2 PLACES
1/8" SHAFT=.126" (3.20)
1/4" SHAFT=.251" (6.38)



ARROW INDICATOR

| Tyco Straight Knurl with Arrowhead Indicator | | | | | | | | |
|--|------------|-------------|-----------------|------------|------------|------------|------------|------------|
| Electronics | Alcoswitch | Color | A | B | C | D | E | G |
| 5-1437622-1 | KN501A1/8 | Natural | .500(12.7) | .445(11.3) | .374(9.50) | .445(11.3) | .625(15.9) | .512(13.0) |
| 5-1437622-0 | KN501A1/4 | Natural | .500(12.7) | .445(11.3) | .374(9.50) | .445(11.3) | .625(15.9) | .512(13.0) |
| 5-1437622-3 | KN501B1/8 | Black | .500(12.7) | .445(11.3) | .374(9.50) | .445(11.3) | .625(15.9) | .512(13.0) |
| 5-1437622-2 | KN501B1/4 | Black | .500(12.7) | .445(11.3) | .374(9.50) | .445(11.3) | .625(15.9) | .512(13.0) |
| 6-1437622-2 | KN701A1/4 | Natural | .750(19.1) | .695(17.7) | .590(15.0) | .695(17.7) | .625(15.9) | .512(13.0) |
| 6-1437622-3 | KN701B1/4 | Black | .750(19.1) | .695(17.7) | .590(15.0) | .695(17.7) | .625(15.9) | .512(13.0) |
| Two Toned | | | Body-Top | | | | | |
| 5-1437622-5 | KN501BA1/8 | Blk. - Ntl. | .500(12.7) | .445(11.3) | .374(9.50) | .445(11.3) | .625(15.9) | .512(13.0) |
| 5-1437622-4 | KN501BA1/4 | Blk. - Ntl. | .500(12.7) | .445(11.3) | .374(9.50) | .445(11.3) | .625(15.9) | .512(13.0) |
| 6-1437622-5 | KN701BA1/8 | Blk. - Ntl. | .750(19.1) | .695(17.7) | .590(15.0) | .695(17.7) | .625(15.9) | .512(13.0) |
| 6-1437622-4 | KN701BA1/4 | Blk. - Ntl. | .750(19.1) | .695(17.7) | .590(15.0) | .695(17.7) | .625(15.9) | .512(13.0) |

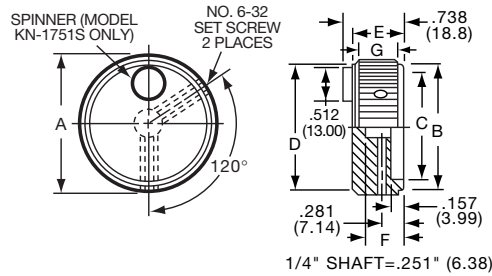
KN SERIES



KN1751AS1/4



KN1751B1/4



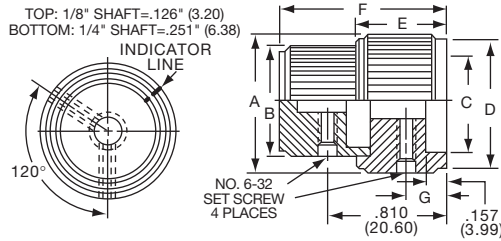
| Tyco Straight Knurl with & without "Fingertip" Spinner | | | | | | | | |
|--|-------------|----------------|-------------------|------------|------------|------------|------------|------------|
| Electronics | Alcoswitch | Color | A | B | C | D | E | G |
| Less Indicator | | | | | | | | |
| 3-1437622-2 | KN1751A1/4 | Natural | 1.75(44.5) | 1.55(39.4) | 1.38(35.1) | 1.65(41.9) | .620(15.0) | .508(12.9) |
| 3-1437622-6 | KN1751B1/4 | Black | 1.75(44.5) | 1.55(39.4) | 1.38(35.1) | 1.65(41.9) | .620(15.8) | .508(12.9) |
| Two Toned | | | Body - Top | | | | | |
| 3-1437622-3 | KN1751AB1/4 | Ntl. - Blk. | 1.75(44.5) | 1.55(39.4) | 1.38(35.1) | 1.65(41.9) | .620(15.8) | .508(12.9) |
| 3-1437622-7 | KN1751BA1/4 | Blk. - Natural | 1.75(44.5) | 1.55(39.4) | 1.38(35.1) | 1.65(41.9) | .620(15.8) | .508(12.9) |
| With Indicator | | | | | | | | |
| 3-1437622-5 | KN1750A1/4 | Natural | 1.75(44.5) | 1.55(39.4) | 1.38(35.1) | 1.65(41.9) | .620(15.8) | .508(12.9) |
| 3-1437622-1 | KN1750B1/4 | Black | 1.75(44.5) | 1.55(39.4) | 1.38(35.1) | 1.65(41.9) | .620(15.8) | .508(12.9) |
| With Spinner/Less Indicator | | | | | | | | |
| 3-1437622-5 | KN1751AS1/4 | Natural | 1.75(44.5) | 1.55(39.4) | 1.38(35.1) | 1.65(41.9) | .620(15.8) | .508(12.9) |
| 3-1437622-8 | KN1751BS1/4 | Black | 1.75(44.5) | 1.55(39.4) | 1.38(35.1) | 1.65(41.9) | .620(15.8) | .508(12.9) |

K

K Series

K8

Knobs, Machined Aluminum



KN SERIES



KN5700B1/4

| Concentric Set with Straight Knurl with Indicator Lines | | | | | | | | | |
|---|------------|---------|------------|------------|------------|------------|------------|------------|------------|
| Tyco Electronics | Alcoswitch | Color | A | B | C | D | E | F | G |
| 5-1437622-6 | KN5700A1/4 | Natural | .750(19.1) | .500(12.7) | .590(15.0) | .700(17.8) | .625(15.9) | 1.16(29.5) | .281(7.14) |
| 5-1437622-7 | KN5700B1/4 | Black | .750(19.1) | .500(12.7) | .590(15.0) | .700(17.8) | .625(15.9) | 1.16(29.5) | .281(7.14) |

Straight Knurl with & without Indicator Line Diameter Dimensions

| Tyco Electronics | Alcoswitch | Color Body-Top | A | B | C | D | E | F | G |
|-----------------------|-------------|----------------|------------|------------|------------|------------|------------|------------|------------|
| 4-1437622-3 | KN500A1/8 | Natural | .500(12.7) | .445(11.3) | .374(9.50) | .445(11.5) | .625(15.9) | .512(13.0) | .456(11.6) |
| 4-1437622-2 | KN500A1/4 | Natural | .500(12.7) | .445(11.3) | .374(9.50) | .445(11.5) | .625(15.9) | .512(13.0) | .456(11.6) |
| 4-1437622-7 | KN500B1/8 | Black | .500(12.7) | .445(11.3) | .374(9.50) | .445(11.5) | .625(15.9) | .512(13.0) | .456(11.6) |
| 4-1437622-6 | KN500B1/4 | Black | .500(12.7) | .445(11.3) | .374(9.50) | .445(11.5) | .625(15.9) | .512(13.0) | .456(11.6) |
| 5-1437622-8 | KN700A1/4 | Natural | .750(19.1) | .695(17.7) | .590(15.0) | .695(17.7) | .625(15.9) | .512(13.0) | .456(11.6) |
| 6-1437622-0 | KN700B1/4 | Black | .750(19.1) | .695(17.7) | .590(15.0) | .695(17.7) | .625(15.9) | .512(13.0) | .456(11.6) |
| 6-1437622-6 | KN900A1/4 | Natural | .949(24.1) | .894(22.7) | .696(17.7) | .894(22.7) | .625(15.9) | .512(13.0) | .456(11.6) |
| 6-1437622-8 | KN900B1/4 | Black | .949(24.1) | .894(22.7) | .696(17.7) | .894(22.7) | .625(15.9) | .512(13.0) | .456(11.7) |
| 2-1437622-5 | KN1250A1/4 | Natural | 1.25(31.8) | 1.20(30.5) | .984(25.0) | 1.20(30.5) | .625(15.9) | .512(13.0) | .456(11.6) |
| 2-1437622-7 | KN1250B1/4 | Black | 1.25(31.8) | 1.20(30.5) | .984(25.0) | 1.20(30.5) | .625(15.9) | .512(13.0) | .456(11.6) |
| Two-Toned | | | | | | | | | |
| 4-1437622-5 | KN500AB1/8 | Ntl - Blk. | .500(12.7) | .445(11.3) | .374(9.50) | .445(11.5) | .625(15.9) | .512(13.0) | .456(11.6) |
| 4-1437622-4 | KN500AB1/4 | Ntl - Blk. | .500(12.7) | .445(11.3) | .374(9.50) | .445(11.5) | .625(15.9) | .512(13.0) | .456(11.6) |
| 4-1437622-9 | KN500BA1/8 | Blk - Ntl. | .500(12.7) | .445(11.3) | .374(9.50) | .445(11.5) | .625(15.9) | .512(13.0) | .456(11.6) |
| 4-1437622-8 | KN500BA1/4 | Blk - Ntl. | .500(12.7) | .445(11.3) | .374(9.50) | .445(11.5) | .625(15.9) | .512(13.0) | .456(11.6) |
| 5-1437622-9 | KN700AB1/4 | Ntl - Blk. | .750(19.1) | .695(17.7) | .445(11.5) | .695(17.7) | .625(15.9) | .512(13.0) | .456(11.6) |
| 6-1437622-1 | KN700BA1/4 | Blk - Ntl. | .750(19.1) | .695(17.7) | .445(11.5) | .695(17.7) | .625(15.9) | .512(13.0) | .456(11.6) |
| 6-1437622-7 | KN900AB1/4 | Ntl - Blk. | .949(24.1) | .894(22.7) | .695(17.7) | .894(22.7) | .625(15.9) | .512(13.0) | .456(11.6) |
| 6-1437622-9 | KN900BA1/4 | Blk - Ntl. | .949(24.1) | .894(22.7) | .695(17.7) | .894(22.7) | .625(15.9) | .512(13.0) | .456(11.7) |
| 2-1437622-6 | KN1250AB1/4 | Ntl - Blk. | 1.25(31.8) | 1.20(30.5) | .984(25.0) | 1.20(30.5) | .625(15.9) | .512(13.0) | .456(11.6) |
| 2-1437622-8 | KN1250BA1/4 | Blk - Ntl. | 1.25(31.8) | 1.20(30.5) | .984(25.0) | 1.20(30.5) | .625(15.9) | .512(13.0) | .456(11.6) |
| Less Indicator | | | | | | | | | |
| 2-1437622-9 | KN1251A1/4 | Natural | 1.25(31.8) | 1.20(30.5) | .984(25.0) | 1.25(31.7) | .625(15.9) | .512(13.0) | .456(11.7) |
| 3-1437622-0 | KN1251B1/4 | Black | 1.25(31.8) | 1.20(30.5) | .984(25.0) | 1.25(31.7) | .625(15.9) | .512(13.0) | .456(11.7) |

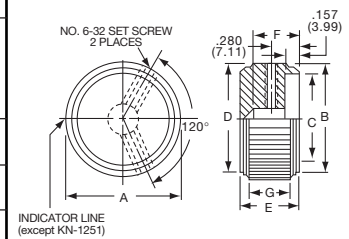
KN SERIES



KN500A1/4



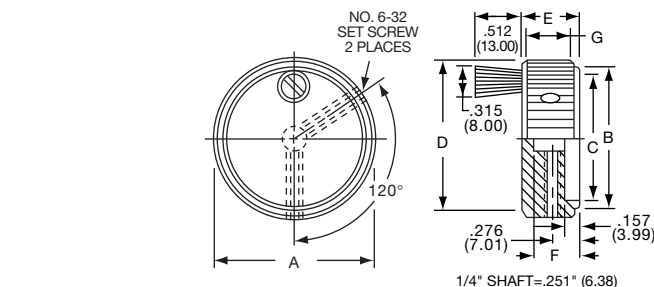
KN900BA1/4



KN SERIES



KN1755BS1/4



| Straight Knurl with "Crank" Spinner | | | | | | | | | |
|-------------------------------------|--------------|---------------------|------------|------------|------------|------------|------------|------------|------------|
| Tyco Electronics | Alcoswitch | Color Body-Top/Spin | A | B | C | D | E | F | G |
| 4-1437622-1 | KN1755AS1/4 | Natural | 1.76(44.7) | 1.56(39.5) | .138(35.0) | 1.65(41.8) | .630(16.0) | .512(13.0) | .492(12.5) |
| 4-1437622-1 | KN1755BS1/4 | Black | 1.76(44.7) | 1.56(39.5) | .138(35.0) | 1.65(41.8) | .630(16.0) | .512(13.0) | .492(12.5) |
| 3-1437622-9 | KN1755ABS1/4 | Ntl.-Blk./Blk. | 1.76(44.7) | 1.56(39.5) | 1.38(35.0) | 1.65(41.8) | .630(16.0) | .512(13.0) | .492(12.5) |
| 4-1437622-0 | KN1755BAS1/4 | Blk.-Ntl. Blk. | 1.76(44.7) | 1.56(39.5) | 1.38(35.0) | 1.65(41.8) | .630(16.0) | .512(13.0) | .492(12.5) |

Knobs, Machined Aluminum

KNS SERIES

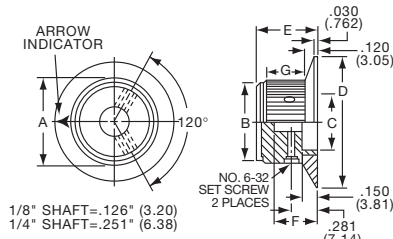


KNS501A1/4



KNS701B1/4

KNS701BA1/4

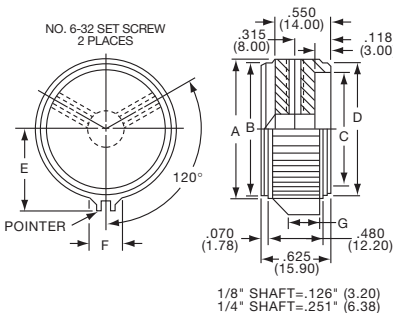


| Tyco | | Straight Knurl with Arrowhead Indicator on Skirt | | | | | | | |
|---------------------------------|-------------|--|------------|------------|------------|------------|------------|------------|------------|
| Electronics | Alcoswitch | Color | A | B | C | D | E | F | G |
| 7-1437622-3 | KNS501A1/8 | Natural | .500(12.7) | .445(11.3) | .370(9.40) | .750(19.1) | .625(15.9) | .512(13.0) | .428(10.9) |
| 7-1437622-2 | KNS501A1/4 | Natural | .500(12.7) | .445(11.3) | .370(9.40) | .750(19.1) | .625(15.9) | .512(13.0) | .428(10.9) |
| 7-1437622-5 | KNS501B1/8 | Black | .500(12.7) | .445(11.3) | .370(9.40) | .750(19.1) | .625(15.9) | .512(13.0) | .428(10.9) |
| 7-1437622-4 | KNS501B1/4 | Black | .500(12.7) | .445(11.3) | .370(9.40) | .750(19.1) | .625(15.9) | .512(13.0) | .428(10.9) |
| 7-1437622-8 | KNS701A1/4 | Natural | .750(19.1) | .695(17.7) | .590(15.0) | 1.12(28.5) | .625(15.9) | .512(13.0) | .428(10.9) |
| 7-1437622-9 | KNS701B1/4 | Black | .750(19.1) | .695(17.7) | .590(15.0) | 1.12(28.5) | .625(15.9) | .512(13.0) | .428(10.9) |
| Two-Toned Body-Top/Skirt | | | | | | | | | |
| 7-1437622-7 | KNS501BA1/8 | Blk.- Ntl. | .500(12.7) | .695(17.7) | .370(9.40) | .750(19.1) | .625(15.9) | .512(13.0) | .428(10.9) |
| 7-1437622-6 | KNS501BA1/4 | Blk.- Ntl. | .500(12.7) | .695(17.7) | .370(9.40) | .750(19.1) | .625(15.9) | .512(13.0) | .428(10.9) |
| 8-1437622-1 | KNS701BA1/8 | Blk.- Ntl. | .750(19.1) | .695(17.7) | .590(15.0) | 1.12(28.5) | .625(15.9) | .512(13.0) | .428(10.9) |
| 8-1437622-0 | KNS701BA1/4 | Blk.- Ntl. | .750(19.1) | .695(17.7) | .590(15.0) | 1.12(28.5) | .625(15.9) | .512(13.0) | .428(10.9) |

KPN SERIES



KPN500B1/8

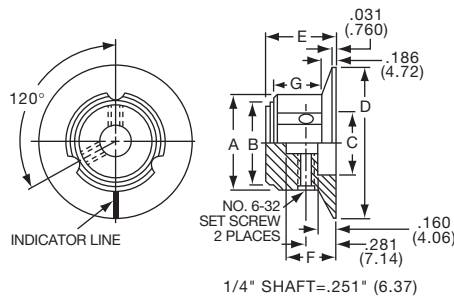


| Tyco | | Straight Knurl with Pointer and Indicator Line | | | | | | | |
|-------------|------------|--|------------|-------------|------------|------------|------------|------------|------------|
| Electronics | Alcoswitch | Color | A | B | C | D | E | F | G |
| 9-1437622-1 | KPN500A1/8 | Natural | .500(12.7) | .445(11.3) | .372(9.45) | .445(11.3) | .368(9.35) | .195(4.95) | .354(8.99) |
| 9-1437622-0 | KPN500A1/4 | Natural | .500(12.7) | .445(11.3) | .372(9.45) | .445(11.3) | .368(9.35) | .195(4.95) | .354(8.99) |
| 9-1437622-3 | KPN500B1/8 | Black | .500(12.7) | .445(11.3) | .372(9.45) | .445(11.3) | .368(9.35) | .195(4.95) | .354(8.99) |
| 9-1437622-2 | KPN500B1/4 | Black | .500(12.7) | .445(11.3) | .372(9.45) | .445(11.3) | .368(9.35) | .195(4.95) | .354(8.99) |
| 9-1437622-5 | KPN700A1/4 | Natural | .750(19.1) | .695(17.65) | .590(15.0) | .695(17.7) | .515(13.1) | .234(5.94) | .394(10.0) |
| 9-1437622-6 | KPN700B1/4 | Black | .750(19.1) | .695(17.65) | .590(15.0) | .695(17.7) | .515(13.1) | .234(5.94) | .394(10.0) |
| 9-1437622-7 | KPN900A1/4 | Natural | .937(23.8) | .882(22.40) | .692(17.6) | .882(22.4) | .630(16.0) | .276(7.01) | .350(8.90) |
| 9-1437622-9 | KPN900B1/4 | Black | .937(23.8) | .882(22.40) | .692(17.6) | .882(22.4) | .630(16.0) | .276(7.01) | .350(8.90) |

KS SERIES



KS500A1/4



| Tyco | | 3 Flute Design with Aluminum Skirt and Indicator Line | | | | | | | |
|-------------|------------|---|------------|------------|------------|------------|------------|------------|------------|
| Electronics | Alcoswitch | Color | A | B | C | D | E | F | G |
| 1437623-3 | KS500A1/8 | Natural | .500(12.7) | .430(10.9) | .360(9.14) | .750(19.1) | .620(15.8) | .510(13.0) | .430(10.9) |
| 1437623-2 | KS500A1/4 | Natural | .500(12.7) | .430(10.9) | .360(9.14) | .750(19.1) | .620(15.8) | .510(13.0) | .430(10.9) |
| 1437623-5 | KS500B1/8 | Black | .500(12.7) | .430(10.9) | .360(9.14) | .750(19.1) | .620(15.8) | .510(13.0) | .430(10.9) |
| 1437623-4 | KS500B1/4 | Black | .500(12.7) | .430(10.9) | .360(9.14) | .750(19.1) | .620(15.8) | .510(13.0) | .430(10.9) |
| 1437623-6 | KS700A1/4 | Natural | .750(19.0) | .650(16.5) | .590(14.9) | 1.12(28.4) | .620(15.8) | .510(13.0) | .430(10.9) |
| 1437623-7 | KS700B1/4 | Black | .750(19.0) | .650(16.5) | .590(14.9) | 1.12(28.4) | .620(15.8) | .510(13.0) | .430(10.9) |
| 1437623-8 | KS900A1/4 | Natural | .940(23.9) | .820(20.8) | .710(18.0) | 1.40(35.6) | .620(15.8) | .510(13.0) | .430(10.9) |
| 1437623-9 | KS900B1/4 | Black | .940(23.9) | .820(20.8) | .710(18.0) | 1.40(35.6) | .620(15.8) | .510(13.0) | .430(10.9) |

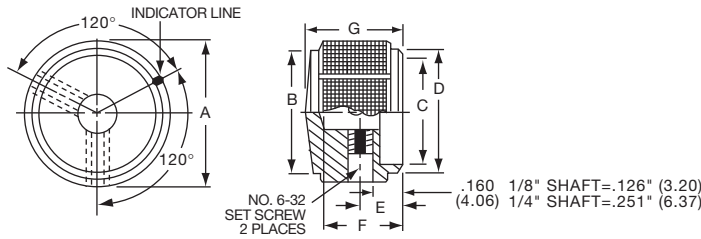


KS900B1/4

K
Series

K10

Knobs, Machined Aluminum



KT SERIES

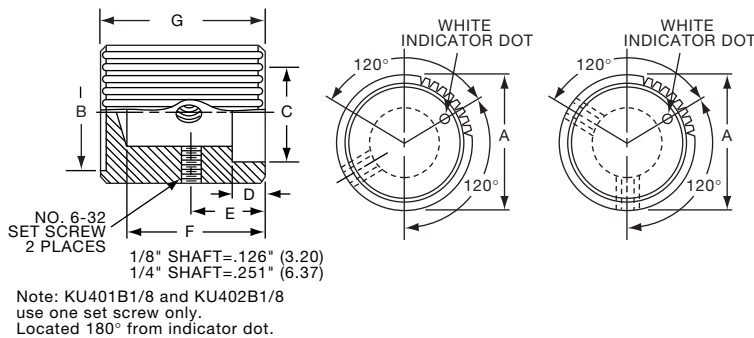


KT500A1/4



KT700A1/4

| Tyco | | Square Serration with Indicator Line | | | | | | | |
|-------------|------------|--------------------------------------|------------|------------|------------|------------|------------|------------|------------|
| Electronics | Alcoswitch | Color | A | B | C | D | E | F | G |
| 1-1437623-2 | KT500A1/4 | Natural | .500(12.7) | .430(10.9) | .375(9.53) | .430(10.9) | .280(7.11) | .510(13.0) | .630(16.0) |
| 1-1437623-4 | KT500B1/8 | Black | .500(12.7) | .430(10.9) | .375(9.53) | .430(10.9) | .280(7.11) | .510(13.0) | .630(16.0) |
| 1-1437623-3 | KT500B1/4 | Black | .500(12.7) | .430(10.9) | .375(9.53) | .430(10.9) | .280(7.11) | .510(13.0) | .630(16.0) |
| 1-1437623-6 | KT700A1/4 | Natural | .740(18.8) | .650(16.5) | .590(15.0) | .650(16.5) | .280(7.11) | .510(13.0) | .630(16.0) |
| 1-1437623-7 | KT700B1/4 | Black | .740(18.8) | .650(16.5) | .590(15.0) | .650(16.5) | .280(7.11) | .510(13.0) | .630(16.0) |
| 1-1437623-8 | KT900A1/4 | Natural | .940(23.9) | .816(20.7) | .710(18.0) | .816(20.7) | .280(7.11) | .510(13.0) | .630(16.0) |
| 1-1437623-9 | KT900B1/4 | Black | .940(23.9) | .816(20.7) | .710(18.0) | .816(20.7) | .280(7.11) | .510(13.0) | .630(16.0) |

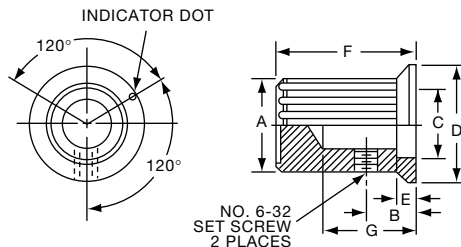


KU SERIES



KU402B1/8

| Tyco | | Serrated Diamond Trim Cut with Dot Indicator | | | | | | | |
|-------------|------------|--|------------|------------|------------|------------|------------|------------|-------------|
| Electronics | Alcoswitch | Color | A | B | C | D | E | F | G |
| 2-1437623-1 | KU401B1/8 | Black | .374(9.50) | .283(7.19) | .276(7.01) | .098(2.49) | .177(4.50) | .236(5.99) | .299(7.60) |
| 2-1437623-2 | KU402B1/8 | Black | .374(9.50) | .283(7.19) | .276(7.01) | .098(2.49) | .197(5.00) | .354(8.99) | .449(11.40) |
| 2-1437623-3 | KU500B1/8 | Black | .500(12.7) | .409(10.4) | .374(9.50) | .118(3.00) | .276(7.01) | .512(13.0) | .598(15.2) |
| | KU500B1/4 | Black | .500(12.7) | .409(10.4) | .374(9.50) | .118(3.00) | .276(7.01) | .512(13.0) | .598(15.2) |
| 2-1437623-4 | KU700B1/4 | Black | .740(18.8) | .650(16.5) | .591(15.0) | .118(3.00) | .276(7.01) | .512(13.0) | .598(15.2) |



KUS SERIES



KUS402B1/8



KUS700B1/4

| Tyco | | Serrated Diamond Trim Cut with Dot Indicator | | | | | | | |
|-------------|------------|--|------------|------------|------------|------------|------------|------------|------------|
| Electronics | Alcoswitch | Color | A | B | C | D | E | F | G |
| 2-1437623-9 | KUS402B1/8 | Black | .374(9.50) | .197(5.00) | .276(7.01) | .520(13.2) | .098(2.49) | .450(11.4) | .354(8.99) |
| 3-1437623-0 | KUS500B1/8 | Black | .500(12.7) | .276(7.01) | .374(9.50) | .700(17.8) | .118(3.00) | .600(15.2) | .512(13.0) |
| | KUS500B1/4 | Black | .500(12.7) | .276(7.01) | .374(9.50) | .700(17.8) | .118(3.00) | .600(15.2) | .512(13.0) |
| 3-1437623-1 | KUS700B1/4 | Black | .740(18.8) | .276(7.01) | .591(15.0) | 1.03(26.2) | .118(3.00) | .600(15.2) | .512(13.0) |

Note: KUS402B1/8 has #4.40 setscrew

Компания «Life Electronics» занимается поставками электронных компонентов импортного и отечественного производства от производителей и со складов крупных дистрибьюторов Европы, Америки и Азии.

С конца 2013 года компания активно расширяет линейку поставок компонентов по направлению коаксиальный кабель, кварцевые генераторы и конденсаторы (керамические, пленочные, электролитические), за счёт заключения дистрибьюторских договоров

Мы предлагаем:

- Конкурентоспособные цены и скидки постоянным клиентам.
- Специальные условия для постоянных клиентов.
- Подбор аналогов.
- Поставку компонентов в любых объемах, удовлетворяющих вашим потребностям.
- Приемлемые сроки поставки, возможна ускоренная поставка.
- Доставку товара в любую точку России и стран СНГ.
- Комплексную поставку.
- Работу по проектам и поставку образцов.
- Формирование склада под заказчика.
- Сертификаты соответствия на поставляемую продукцию (по желанию клиента).
- Тестирование поставляемой продукции.
- Поставку компонентов, требующих военную и космическую приемку.
- Входной контроль качества.
- Наличие сертификата ISO.

В составе нашей компании организован Конструкторский отдел, призванный помогать разработчикам, и инженерам.

Конструкторский отдел помогает осуществить:

- Регистрацию проекта у производителя компонентов.
- Техническую поддержку проекта.
- Защиту от снятия компонента с производства.
- Оценку стоимости проекта по компонентам.
- Изготовление тестовой платы монтаж и пусконаладочные работы.



Тел: +7 (812) 336 43 04 (многоканальный)

Email: org@lifeelectronics.ru