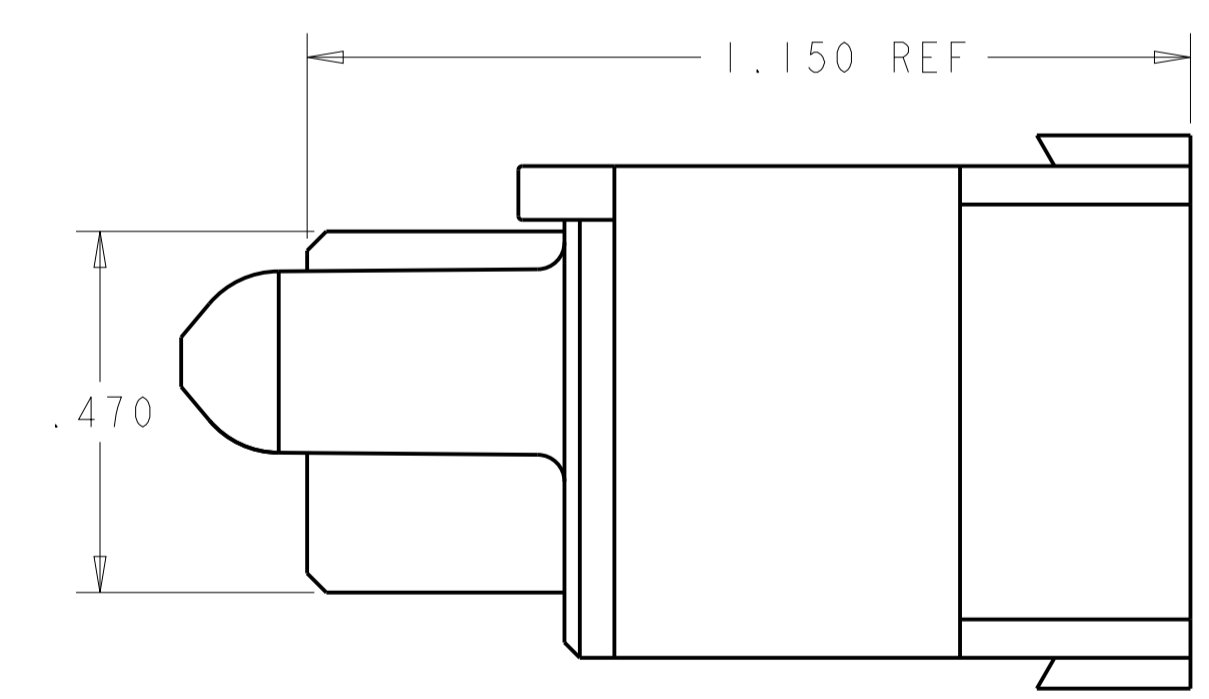
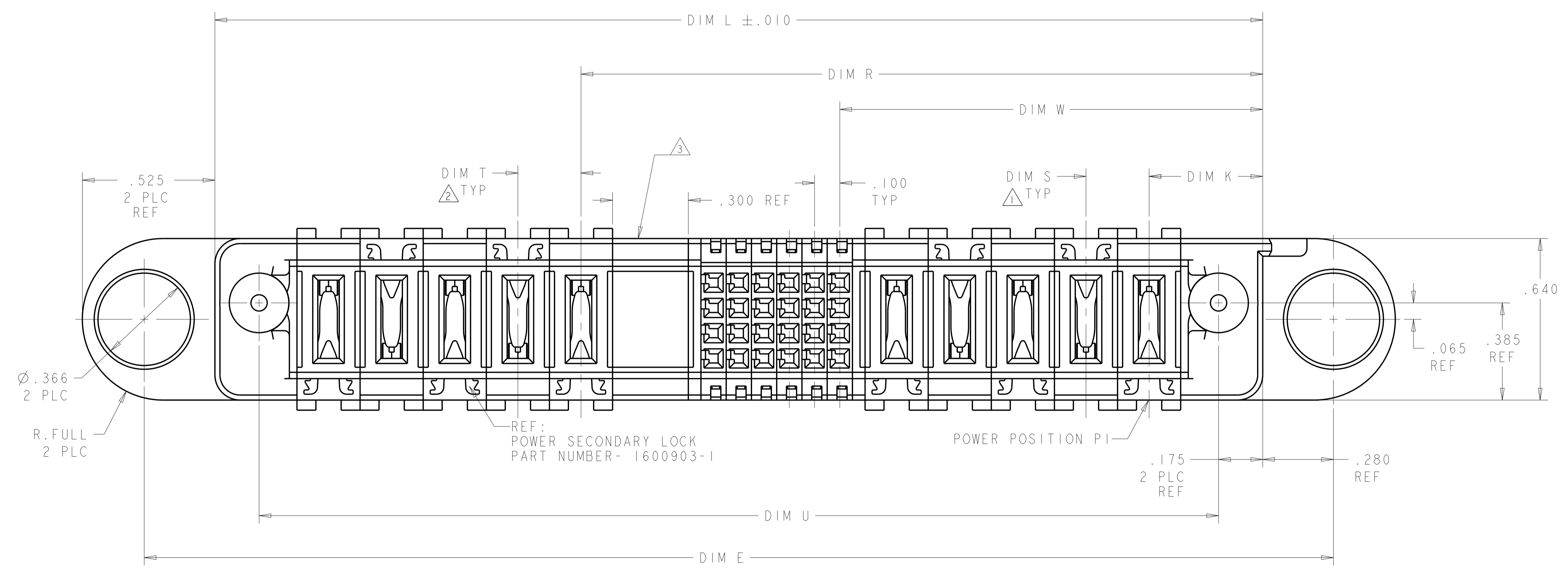
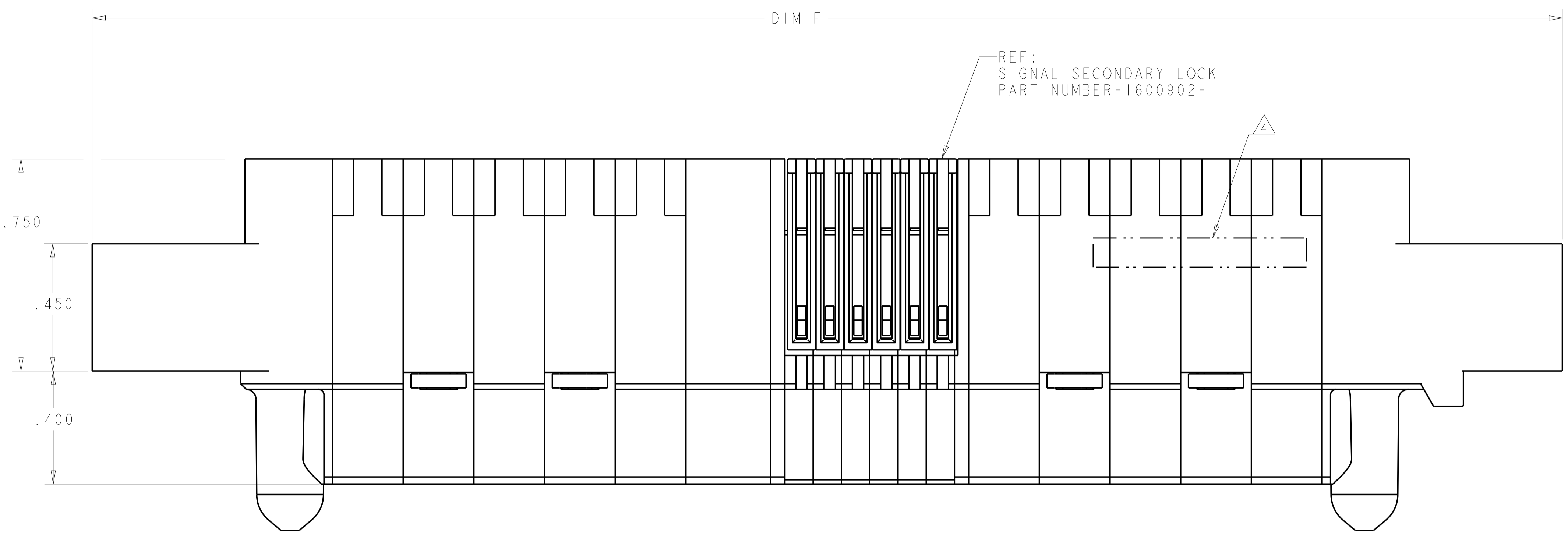
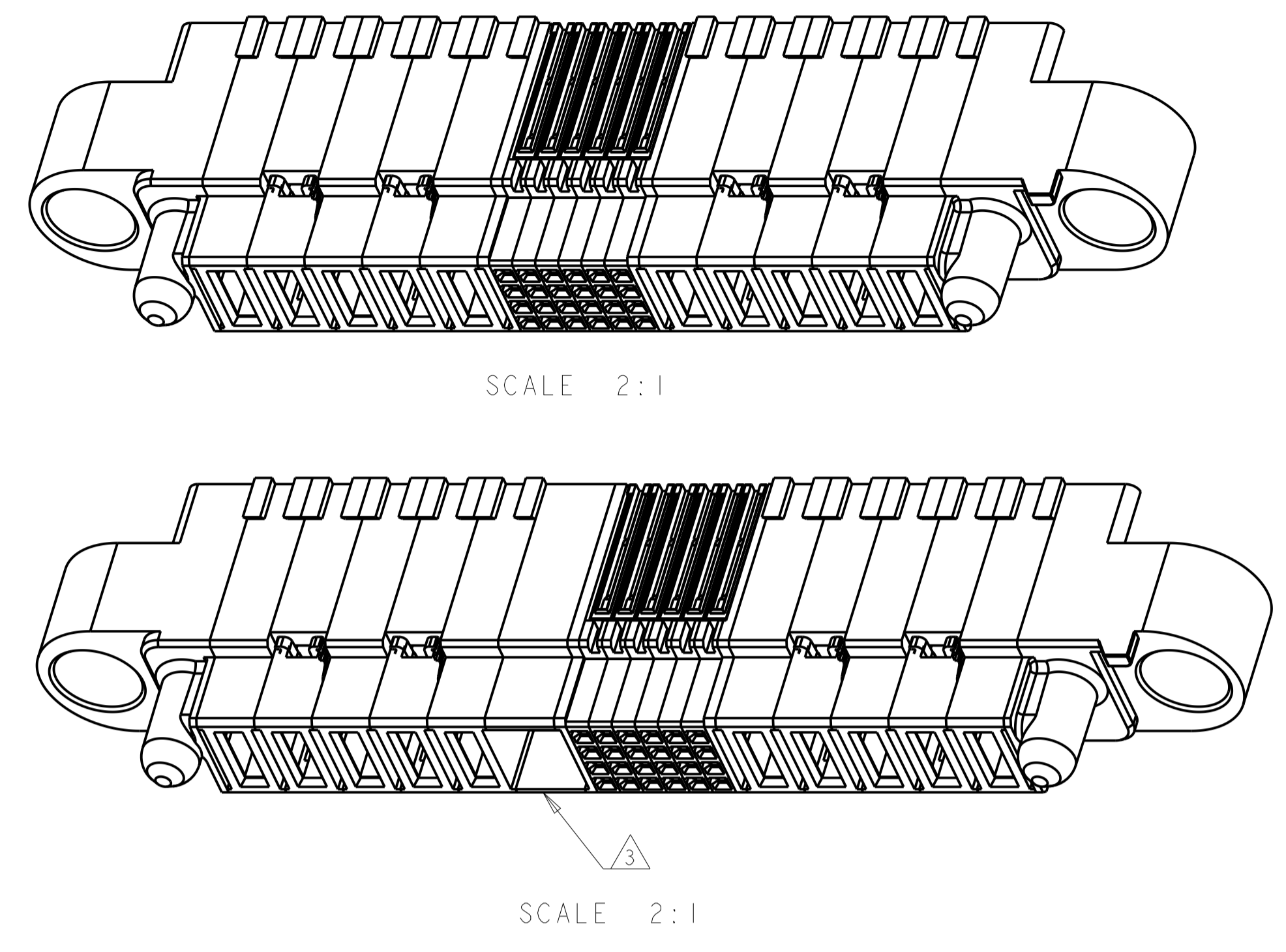
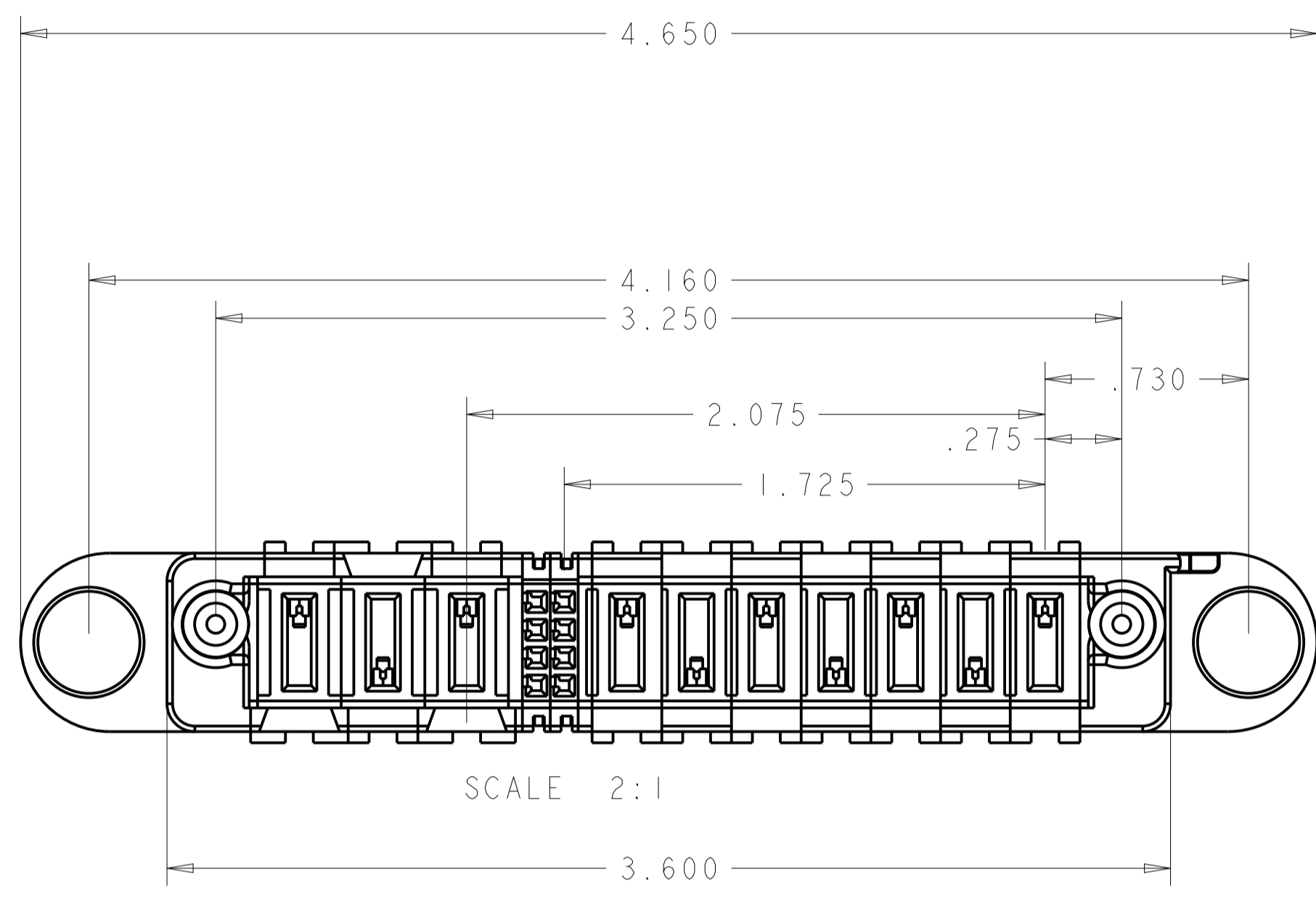


LOC	DIST	REVISIONS					
		P	LTN	DESCRIPTION	DATE	DWN	APVD
ES	00	L9		ADD NEW DASH NUMBER 3-7	02JUL2017	CZ	SZ



THIS DRAWING IS A CONTROLLED DOCUMENT.		DWN D. RINGLER 28JUL2003	TE Connectivity	
DIMENSIONS: INCHES		CHK M. CORRELL 29JUL2003	NAME PANEL MOUNT CABLE RECEPTACLE HOUSING, WITH GUIDES, MULTI-BEAM XL	
TOLERANCES UNLESS OTHERWISE SPECIFIED:		APVD	PRODUCT SPEC	
0 PLC ±		108-2157		
1 PLC ±.01		APPLICATION SPEC		
2 PLC ±.005		114-13112		
3 PLC ±.0020		WEIGHT		
ANGLES ±.020		CUSTOMER DRAWING		
FINISH		SCALE 4:1 SHEET 1 OF 5 REV L9		



- 1 DIM S IS CENTERLINE SPACING OF POWER MODULES ON RIGHT SIDE OF HOUSING.
- 2 DIM T IS CENTERLINE SPACING OF POWER MODULES ON LEFT SIDE OF HOUSING.
- 3 OPTIONAL CENTER MODULE.
- 4 COMPANY TRADEMARK, PART NUMBER, AND DATE CODE TO BE MARKED IN AREA SHOWN PARTS UNDER 2.00 LONG MAY BE MARKED ON BOTH SIDES.
- 5 MATERIAL: THERMO PLASTIC, UL94 V-0.
- 6 DATUM LOCATIONS AND BASIC DIMENSIONS TO BE ESTABLISHED BY THE CUSTOMER.
- 7 BULKHEAD THICKNESS RANGE: .031 - .100
- 8 CONNECTOR MATED TO PANEL FROM OPPOSITE SIDE.
- 9 NO BURRS ALLOWED ON OPPOSITE (MATING) SIDE.
- 10 CONNECTOR KEEP OUT ZONE.
- 11 MOUNT CONNECTOR WITH TYCO HARDWARE KIT (SEE TABLE) FOR .050 [1.27mm] MIN RADIAL FLOAT.
- 12 VARIABLE DIMENSIONS SHOWN ON VIEW (SHEET 3).
- 13 NOT RELEASE FOR PRODUCTION
- 14. HARDWARE KIT P/N SOLD SEPARATELY

KIT P/N	CENTER MODULE	DIM W	DIM U	DIM T	DIM S	DIM R	DIM L	DIM K	DIM F	DIM E	DESCRIPTION	PART NUMBER
1600914-1	NO	.675	1.700	-	-	1.600	2.050	.450	3.100	2.610	1P + 32S + 1P	3-1600636-7
1600914-1	NO	.875	1.700	.250	.250	1.350	2.050	.450	3.100	2.610	2P + 16S + 2P	3-1600636-6
1600914-1	NO	.675	1.100	-	-	1.000	1.450	.450	2.500	2.010	1P + 8S + 1P	3-1600636-5
1600914-1	NO	1.325	3.000	.250	.300	1.650	3.350	.475	4.400	3.910	3ACP + 8S + 6P	3-1600636-4
1600000-1	NO	1.325	3.000	.300	.300	2.275	3.350	.475	4.400	3.910	3ACP + 32S + 3ACP	3-1600636-3
1600914-1	NO	1.725	3.250	.300	.250	2.075	3.600	.450	4.650	4.160	7P + 8S + 3ACP	2-1600636-9
1600914-1	NO	1.025	1.800	.300	.300	1.375	2.150	.475	3.200	2.710	2ACP + 8S + 2ACP	2-1600636-8
1600914-1	NO	1.325	3.250	.250	.300	1.650	3.600	.475	4.650	4.160	3ACP + 8S + 7P	2-1600636-7
1600000-1	NO	1.325	3.000	.300	.300	2.275	3.350	.475	4.400	3.910	3ACP + 32S + 3ACP	2-1600636-6
1600000-1	NO	1.025	2.200	.300	.300	1.775	2.550	.475	3.600	3.110	2ACP + 24S + 2ACP	2-1600636-5
1600914-1	NO	1.175	2.300	.250	.250	1.700	2.650	.450	3.700	3.210	3P + 16S + 3P	2-1600636-4
1600914-3	NO	2.225	4.800	.250	.300	2.950	5.150	.475	6.200	5.710	6ACP + 24S + 8P	2-1600636-3
1600914-1	NO	1.425	3.200	.250	.250	2.350	3.550	.450	4.600	4.110	4P + 32S + 4P	2-1600636-2
1600914-1	NO	1.925	3.400	.300	.250	2.675	3.750	.450	4.800	4.310	6P + 24S + 3ACP	2-1600636-1
1600914-1	NO	.725	2.500	-	-	2.375	2.850	.475	3.900	3.410	1P + 60S + 1P	2-1600636-0
1600914-1	NO	1.875	3.450	12	12	2.775	3.800	.425	4.850	4.380	6P + 32S + 3 ACP	1-1600636-8
1600914-1	NO	1.925	2.600	.250	.250	2.250	2.950	.450	4.000	3.510	6P + 8S + 2P	1-1600636-7
1600914-3	NO	2.175	5.100	.250	.250	3.500	5.450	.450	6.500	6.010	7P + 48S + 7P	1-1600636-6
1600914-1	NO	1.425	3.000	.250	.250	2.150	3.350	.450	4.400	3.910	4P + 24S + 4P	1-1600636-5
1600914-1	NO	1.325	2.800	.300	.300	2.075	3.150	.475	4.200	3.710	3ACP + 24S + 3ACP	1-1600636-4
1600914-1	NO	.675	1.300	-	-	1.200	1.650	.450	2.700	2.210	1P + 16S + 1P	1-1600636-3
1600914-1	NO	1.425	3.000	.250	.250	2.150	3.350	.450	4.400	3.910	4P + 24S + 4P	1-1600636-2
1600914-1	NO	.700	1.575	-	-	1.425	1.925	.475	2.975	2.485	1P + 24S + 1P	1-1600636-1
1600914-1	NO	.925	1.800	.250	.250	1.450	2.150	.450	3.200	2.710	2P + 16S + 2P	1-1600636-0
1600914-1	NO	.700	1.575	-	-	1.425	1.925	.475	2.975	2.485	1P + 24S + 1P	1600636-9
1600914-1	NO	1.175	2.300	.250	.250	1.700	2.650	.450	3.700	3.210	3P + 16S + 3P	1600636-8
1600914-1	NO	1.425	2.500	.250	.250	2.150	2.850	.450	3.900	3.410	4P + 24S + 2P	1600636-7
1600914-3	NO	1.625	5.200	.250	.300	2.350	5.550	.475	6.600	6.110	4ACP + 24S + 12P	1600636-6
1600914-1	NO	1.425	3.000	.250	.250	2.150	3.350	.450	4.400	3.910	4P + 24S + 4P	1600636-5
1600914-1	NO	.925	2.500	.250	.250	2.150	2.850	.450	3.900	3.410	2P + 44S + 2P	1600636-4
1600914-1	NO	.750	1.675	-	-	1.525	2.025	.475	3.075	2.585	1P + 24S + 1P	1600636-3
1600914-1	NO	.925	2.000	.250	.250	1.650	2.350	.450	3.400	2.910	2P + 24S + 2P	1600636-2
1600914-3	NO	1.925	4.000	.300	.300	2.675	4.350	.475	5.400	4.910	5ACP + 24S + 5ACP	1600636-1

OBSOLETE

THIS DRAWING IS A CONTROLLED DOCUMENT.		OWN D. RINGLER 28 JUL 2003	CHK M. CORRELL 29 JUL 2003	APVD	NAME
DIMENSIONS: INCHES	TOLERANCES UNLESS OTHERWISE SPECIFIED:	PRODUCT SPEC 108-2157			PANEL MOUNT CABLE RECEPTACLE HOUSING, WITH GUIDES, MULTI-BEAM XL
	0 PLC ±.01 1 PLC ±.01 2 PLC ±.01 3 PLC ±.005 4 PLC ±.002 ANGLES ±.002	APPLICATION SPEC 114-13112			
MATERIAL	FINISH	WEIGHT	CAGE CODE	DRAWING NO	RESTRICTED TO
			A1	1600636	
CUSTOMER DRAWING		SCALE	SHEET	OF	REV
		4:1	2	5	9

PART NUMBER	ROWS	POWER (L)					SIGNAL					POWER (R)										
		P10	P9	P8	P7	P6	6	5	4	3	2	1	P5	P4	P3	P2	P1					
1600636-1	D C B A	RM	RM	RM	RM	RM	E	E	E	E	E	E	E	E	E	E	E	RA	RA	RA	RA	RA
5ACP + 24S + 5ACP																						

PART NUMBER	ROWS	POWER (L)			SIGNAL				POWER (R)						
		P6	P5	P4	4	3	2	1	P3	P2	P1				
1600636-8	D C B A	RA	RA	RA	E	E	E	E	E	E	E	E	RM	RM	RM
3P + 16S + 3P															

PART NUMBER	ROWS	POWER (L)		SIGNAL						POWER (R)			
		P4	P3	6	5	4	3	2	1	P2	P1		
1600636-2	D C B A	RM	RM	E	E	E	E	E	E	E	E	RA	RA
2P + 24S + 2P													

PART NUMBER	ROWS	POWER (L)	SIGNAL						POWER (R)		
		P2	6	5	4	3	2	1	P1		
1600636-9	D C B A	RA	E	E	E	E	E	E	E	E	RM
1P + 24S + 1P											

PART NUMBER	ROWS	POWER (L)	SIGNAL						POWER (R)		
		P2	6	5	4	3	2	1	P1		
1600636-3	D C B A	RA	E	E	E	E	E	E	E	E	RA
1P + 24S + 1P											

PART NUMBER	ROWS	POWER (L)		SIGNAL				POWER (R)				
		P4	P3	4	3	2	1	P2	P1			
1-1600636-0	D C B A	RA	RA	E	E	E	E	E	E	E	RM	RM
2P + 16S + 2P												

PART NUMBER	ROWS	POWER (L)		SIGNAL										POWER (R)				
		P4	P3	11	10	9	8	7	6	5	4	3	2	1	P2	P1		
1600636-4	D C B A	RM	RA	E	E	E	E	E	E	E	E	E	E	E	E	E	RA	RM
2P + 44S + 2P																		

PART NUMBER	ROWS	POWER (L)	SIGNAL						POWER (R)		
		P2	6	5	4	3	2	1	P1		
1-1600636-1	D C B A	RM	E	E	E	E	E	E	E	E	RA
1P + 24S + 1P											

PART NUMBER	ROWS	POWER (L)				SIGNAL						POWER (R)							
		P8	P7	P6	P5	6	5	4	3	2	1	P4	P3	P2	P1				
1600636-5	D C B A	RM	RA	RM	RA	E	E	E	E	E	E	E	E	E	E	RM	RA	RM	RA
4P + 24S + 4P																			

PART NUMBER	ROWS	POWER (L)				SIGNAL						POWER (R)							
		P8	P7	P6	P5	6	5	4	3	2	1	P4	P3	P2	P1				
1-1600636-2	D C B A	RM	RA	RM	RA	E	E	E	E	E	E	E	E	E	E	RM	RA	RM	RA
4P + 24S + 4P																			

PART NUMBER	ROWS	POWER (L)										SIGNAL						POWER (R)										
		P16	P15	P14	P13	P12	P11	P10	P9	P8	P7	P6	P5	6	5	4	3	2	1	P4	P3	P2	P1					
1600636-6	D C B A	RA	RM	RA	RM	RA	RM	RA	RM	RA	RM	RA	RM	RA	RM	RA	RM	RA	RM	RA	RM	RA	RM	RA	RM	RA	RM	RA
4ACP + 24S + 12P																												

PART NUMBER	ROWS	P(L)	SIGNAL				P(R)		
		P2	4	3	2	1	P1		
1-1600636-3	D C B A	RA	E	E	E	E	E	E	RM
1P + 16S + 1P									

PART NUMBER	ROWS	POWER (L)		SIGNAL						POWER (R)					
		P6	P5	6	5	4	3	2	1	P4	P3	P2	P1		
1600636-7	D C B A	RA	RM	E	E	E	E	E	E	E	E	RM	RA	RM	RA
4P + 24S + 2P															

PART NUMBER	ROWS	POWER (L)			SIGNAL						POWER (R)						
		P6	P5	P4	6	5	4	3	2	1	P3	P2	P1				
1-1600636-4	D C B A	RM	RM	RM	E	E	E	E	E	E	E	E	E	E	RA	RA	RA
3ACP + 24S + 3ACP																	

RM	STANDARD POWER CONTACT
RA	MFBL POWER CONTACT
E	SIGNAL CONTACT
CODE	DESCRIPTION
CONTACT TABLE	

THIS DRAWING IS A CONTROLLED DOCUMENT.

DIMENSIONS: INCHES

TOLERANCES UNLESS OTHERWISE SPECIFIED:

0 PLC	±
1 PLC	±.01
2 PLC	±.01
3 PLC	±.005
4 PLC	±.0020
ANGLES	±.02°

MATERIAL: FINISH:

APVD: M. CORRELL

DATE: 28 JUL 2003

PRODUCT SPEC: 108-2157

APPLICATION SPEC: 114-13112

WEIGHT: -

SCALE: 4:1

SHEET: 3 OF 5

REV: 9

STE TE Connectivity

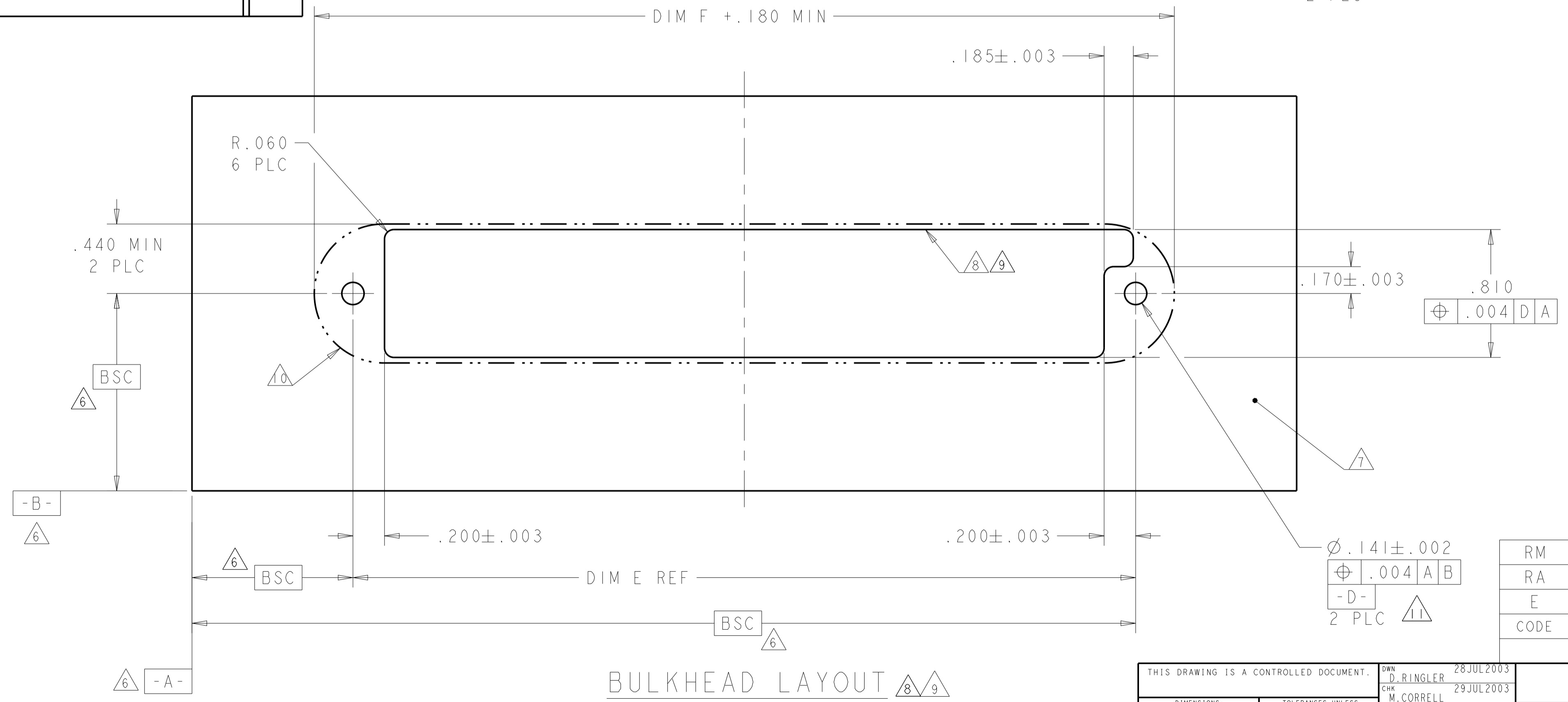
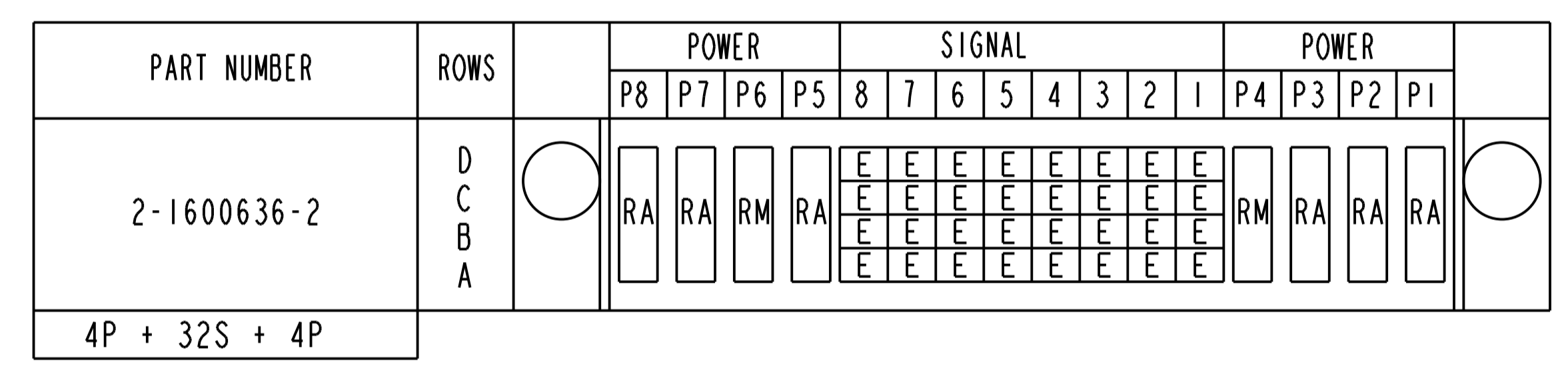
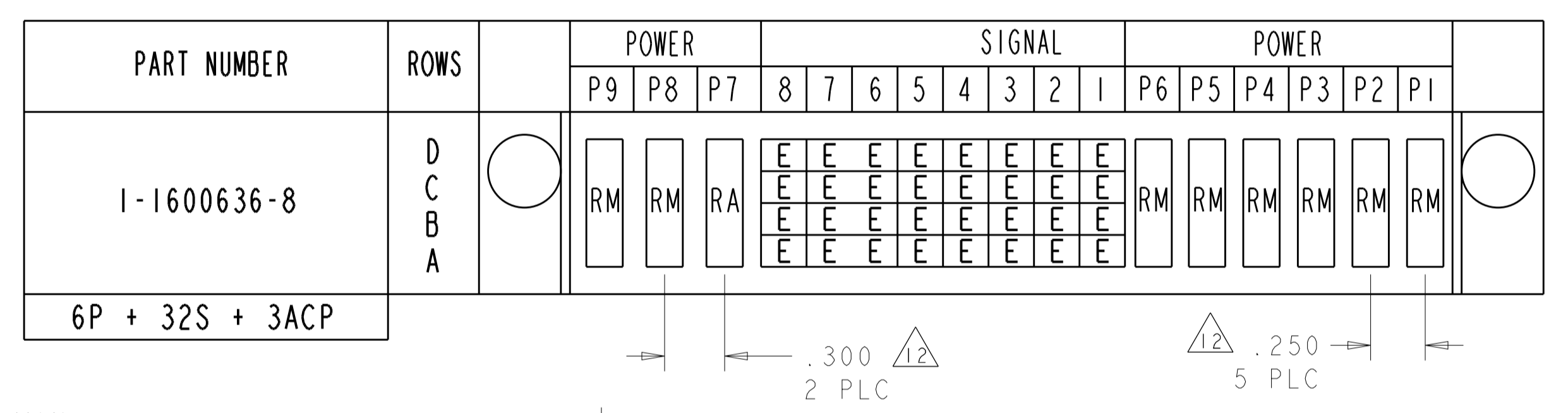
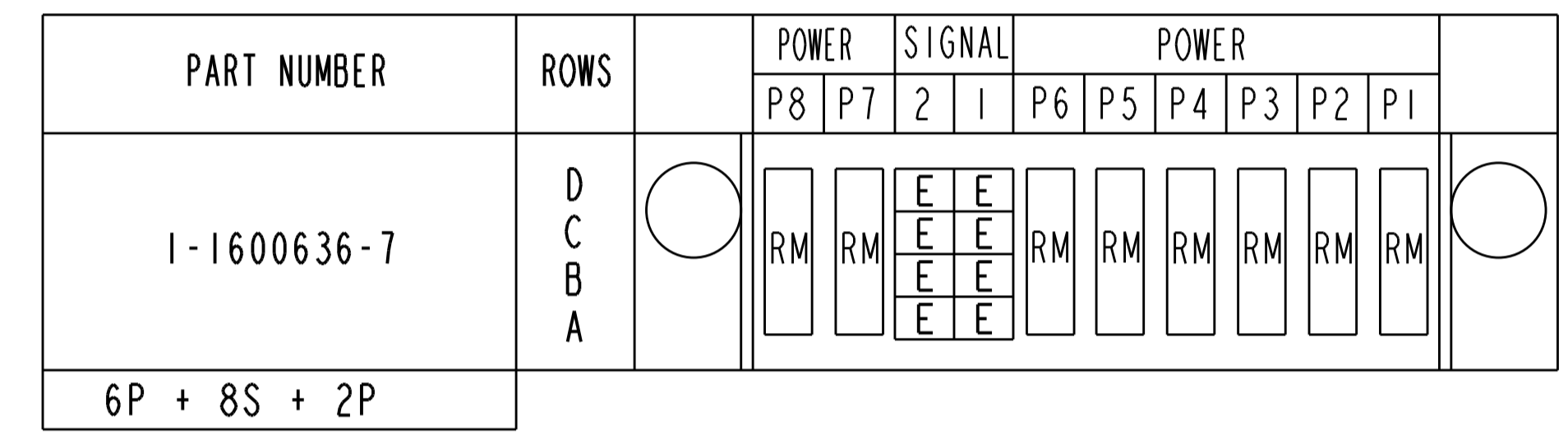
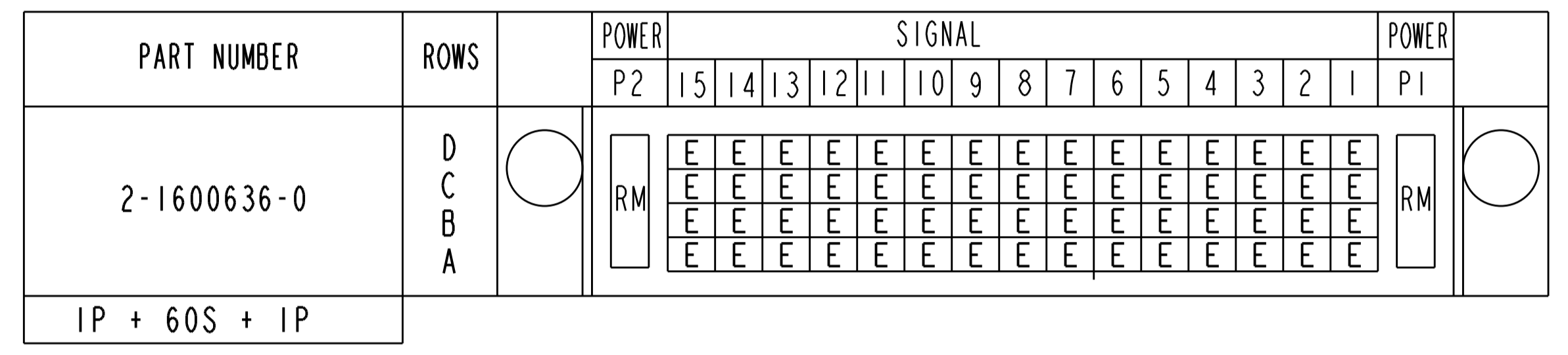
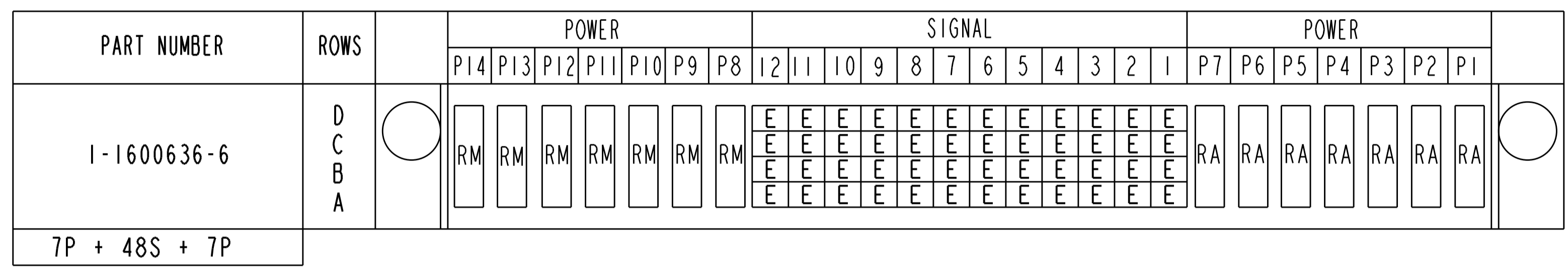
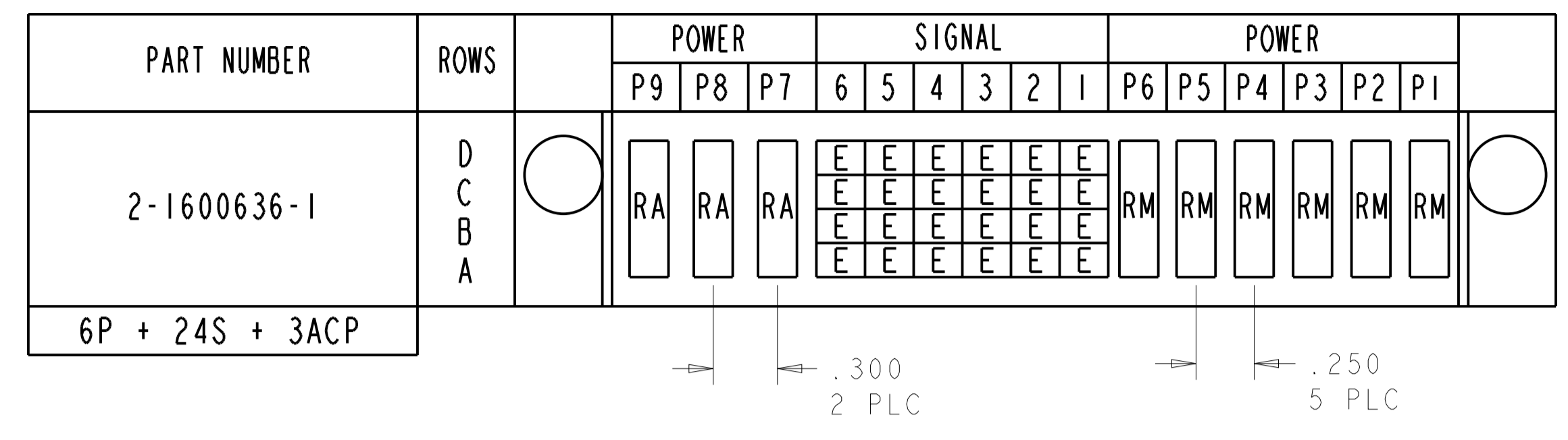
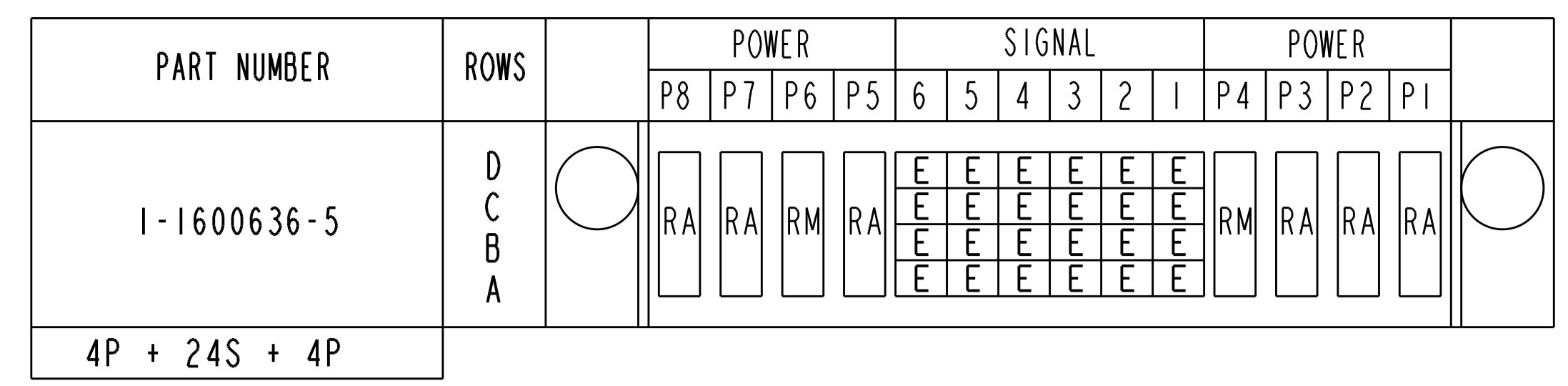
PANEL MOUNT CABLE RECEPTACLE HOUSING, WITH GUIDES, MULTI-BEAM XL

SIZE: A1

CAGE CODE: -

DRAWING NO: C=1600636

CUSTOMER DRAWING



REFERENCE POWER WIRE CHART - RM & RA CONTACTS

HOUSING MODULE	CONTACT	INSULATION DIAMETER RANGE
.300	8-10 1600960 REF	[.176-.272]
.250	8-10 1600960 REF	[.176-.203]
	12-14 1600961 REF	[.156-.176]
.200	12-14 1600961 REF	[.120-.156]
.100	22-26 531216-5 REF	[.036-.069]

RM	STANDARD POWER CONTACT
RA	MFBL POWER CONTACT
E	SIGNAL CONTACT
CODE	DESCRIPTION
CONTACT TABLE	

BULKHEAD LAYOUT SCALE 2:1

THIS DRAWING IS A CONTROLLED DOCUMENT.

DIMENSIONS: INCHES	TOLERANCES UNLESS OTHERWISE SPECIFIED:	OWN: D. RINGLER 28 JUL 2003	CHK: M. CORRELL 29 JUL 2003	APVD: -
MATERIAL: -	FINISH: -	PRODUCT SPEC: 108-2157	APPLICATION SPEC: 114-13112	WEIGHT: -
CUSTOMER DRAWING		SCALE: 4:1 SHEET 4 OF 5 REV: 9		

TE Connectivity

PANEL MOUNT CABLE RECEPTACLE HOUSING, WITH GUIDES, MULTI-BEAM XL

SIZE: A1 CAGE CODE: 1600636

PART NUMBER	ROWS	POWER							SIGNAL					POWER							
		P14	P13	P12	P11	P10	P9	P8	P7	6	5	4	3	2	1	P6	P5	P4	P3	P2	P1
2-1600636-3	D C B A	RM	RA						E	E	E	E	E	E	E	RA		RM	RM	RM	RM
6ACP + 24S + 8P																					

PART NUMBER	ROWS	POWER (L)		SIGNAL		POWER (R)	
		P4	P3	2	1	P2	P1
2-1600636-8	D C B A	RA	RA	E	E	RA	RA
2ACP + 8S + 2ACP							

NO CONTACTS LOADED

PART NUMBER	ROWS	POWER (L)			SIGNAL				POWER (R)		
		P6	P5	P4	4	3	2	1	P3	P2	P1
2-1600636-4	D C B A	RM	RM	RM	E	E	E	E	RM	RM	RM
3P + 16S + 3P											

PART NUMBER	ROWS	POWER			SIGNAL		POWER						
		P10	P9	P8	2	1	P7	P6	P5	P4	P3	P2	P1
2-1600636-9	D C B A	RM	RM	RM	E	E	RM	RM	RM	RM	RM	RM	RM
7P + 8S + 3ACP													

PART NUMBER	ROWS	POWER						SIGNAL		POWER		
		P9	P8	P7	P6	P5	P4	2	1	P3	P2	P1
3-1600636-4	D C B A	RM	RM	RM	RM	RM	RM	E	E	RM	RM	RM
3ACP + 8S + 6P												

PART NUMBER	ROWS	POWER (L)		SIGNAL					POWER (R)		
		P4	P3	6	5	4	3	2	1	P2	P1
2-1600636-5	D C B A	RA	RA	E	E	E	E	E	E	RA	RA
2ACP + 24S + 2ACP											

PART NUMBER	ROWS	POWER			SIGNAL							POWER			
		P6	P5	P4	8	7	6	5	4	3	2	1	P3	P2	P1
3-1600636-3	D C B A	RM	RM	RM	E	E	E	E	E	E	E	E	RA	RM	RM
3ACP + 32S + 3ACP															


PART NUMBER	ROWS	P(L)	SIGNAL		P(R)
		P2	2	1	P1
3-1600636-5	D C B A	RM	E	E	RM
1P + 8S + 1P					

PART NUMBER	ROWS	POWER			SIGNAL							POWER			
		P6	P5	P4	8	7	6	5	4	3	2	1	P3	P2	P1
2-1600636-6	D C B A	RA	RA	RA	E	E	E	E	E	E	E	E	RM	RM	RM
3ACP + 32S + 3ACP															

PART NUMBER	ROWS	POWER (L)		SIGNAL				POWER (R)	
		P4	P3	4	3	2	1	P2	P1
3-1600636-6	D C B A	RM	RA	E	E	E	E	RA	RM
2P + 16S + 2P									

PART NUMBER	ROWS	POWER						SIGNAL		POWER		
		P10	P9	P8	P7	P6	P5	P4	2	1	P3	P2
2-1600636-7	D C B A	RM	RM	RM	RM	RM	RM	E	E	RM	RM	RM
3ACP + 8S + 7P												

PART NUMBER	ROWS	POWER	SIGNAL							POWER
		P2	8	7	6	5	4	3	2	1
3-1600636-7	D C B A	RM	E	E	E	E	E	E	E	RM
1P + 32S + 1P										

THIS DRAWING IS A CONTROLLED DOCUMENT.		OWN: D. RINGLER 28JUL2003	 TE Connectivity
DIMENSIONS: INCHES		CHK: M. CORRELL 29JUL2003	
TOLERANCES UNLESS OTHERWISE SPECIFIED:		APVD:	NAME: PANEL MOUNT CABLE RECEPTACLE HOUSING, WITH GUIDES, MULTI-BEAM XL
0 PLC ±. 1 PLC ±.01 2 PLC ±.01 3 PLC ±.005 4 PLC ±.0020 ANGLES ±.2°		PRODUCT SPEC: 108-2157	SIZE: A1
MATERIAL: FINISH:		APPLICATION SPEC: 114-13112	RESTRICTED TO:
		WEIGHT:	C=1600636
		CUSTOMER DRAWING	SCALE: 4:1 SHEET 5 OF 5 REV: 1.9

Компания «Life Electronics» занимается поставками электронных компонентов импортного и отечественного производства от производителей и со складов крупных дистрибьюторов Европы, Америки и Азии.

С конца 2013 года компания активно расширяет линейку поставок компонентов по направлению коаксиальный кабель, кварцевые генераторы и конденсаторы (керамические, пленочные, электролитические), за счёт заключения дистрибьюторских договоров

Мы предлагаем:

- Конкуренспособные цены и скидки постоянным клиентам.
- Специальные условия для постоянных клиентов.
- Подбор аналогов.
- Поставку компонентов в любых объемах, удовлетворяющих вашим потребностям.
- Приемлемые сроки поставки, возможна ускоренная поставка.
- Доставку товара в любую точку России и стран СНГ.
- Комплексную поставку.
- Работу по проектам и поставку образцов.
- Формирование склада под заказчика.
- Сертификаты соответствия на поставляемую продукцию (по желанию клиента).
- Тестирование поставляемой продукции.
- Поставку компонентов, требующих военную и космическую приемку.
- Входной контроль качества.
- Наличие сертификата ISO.

В составе нашей компании организован Конструкторский отдел, призванный помогать разработчикам, и инженерам.

Конструкторский отдел помогает осуществить:

- Регистрацию проекта у производителя компонентов.
- Техническую поддержку проекта.
- Защиту от снятия компонента с производства.
- Оценку стоимости проекта по компонентам.
- Изготовление тестовой платы монтаж и пусконаладочные работы.



Тел: +7 (812) 336 43 04 (многоканальный)

Email: org@lifeelectronics.ru