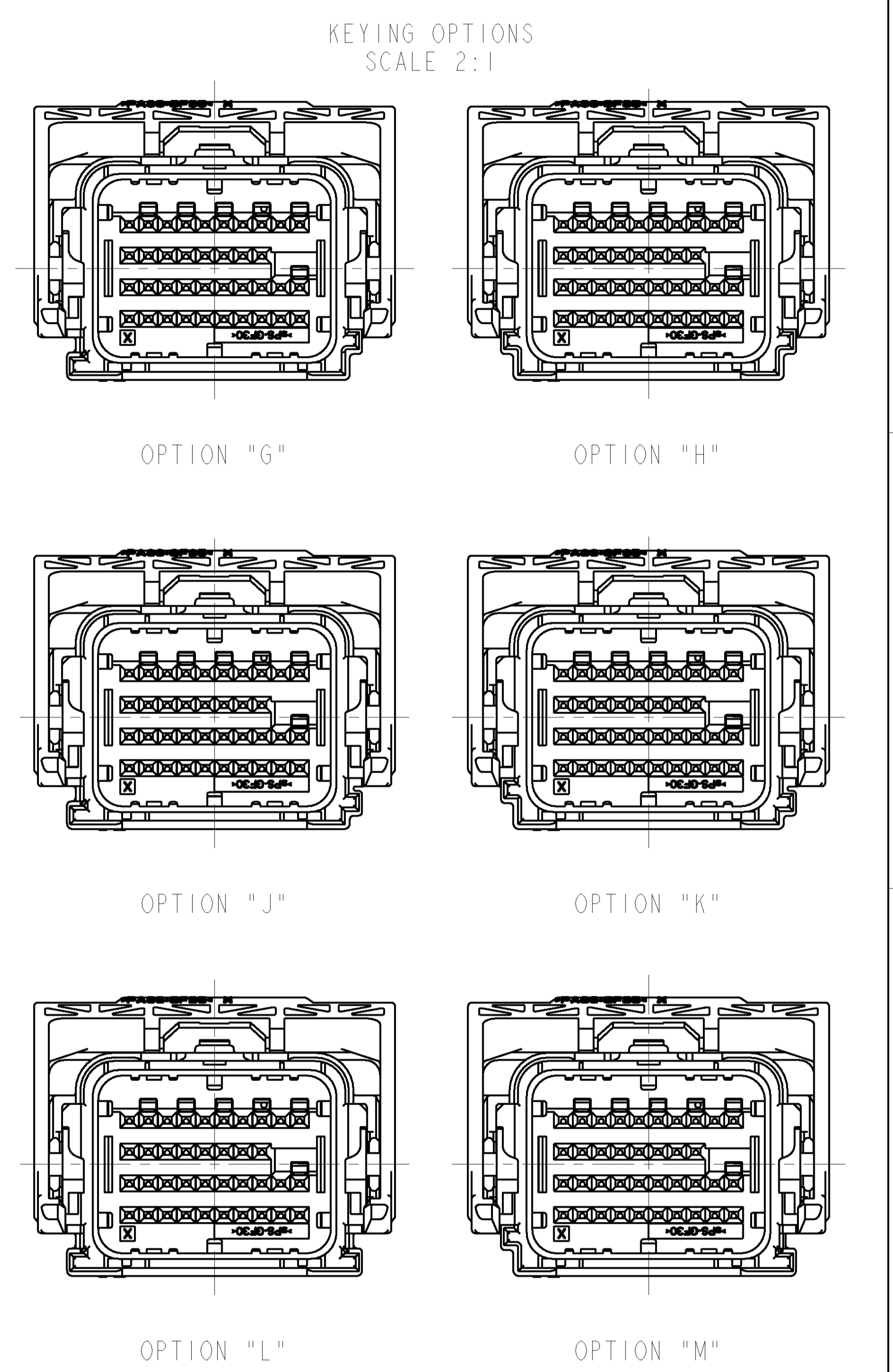
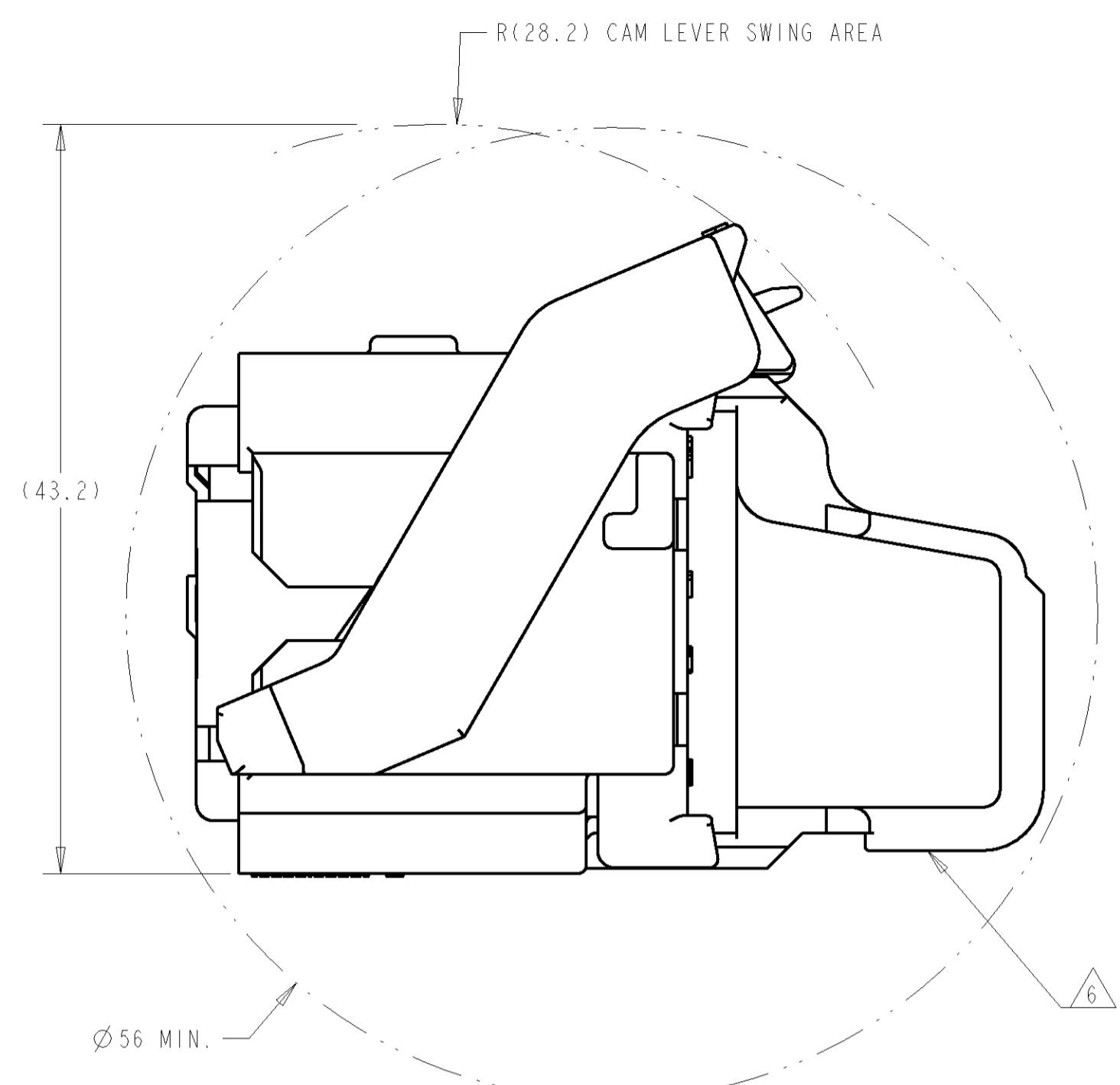
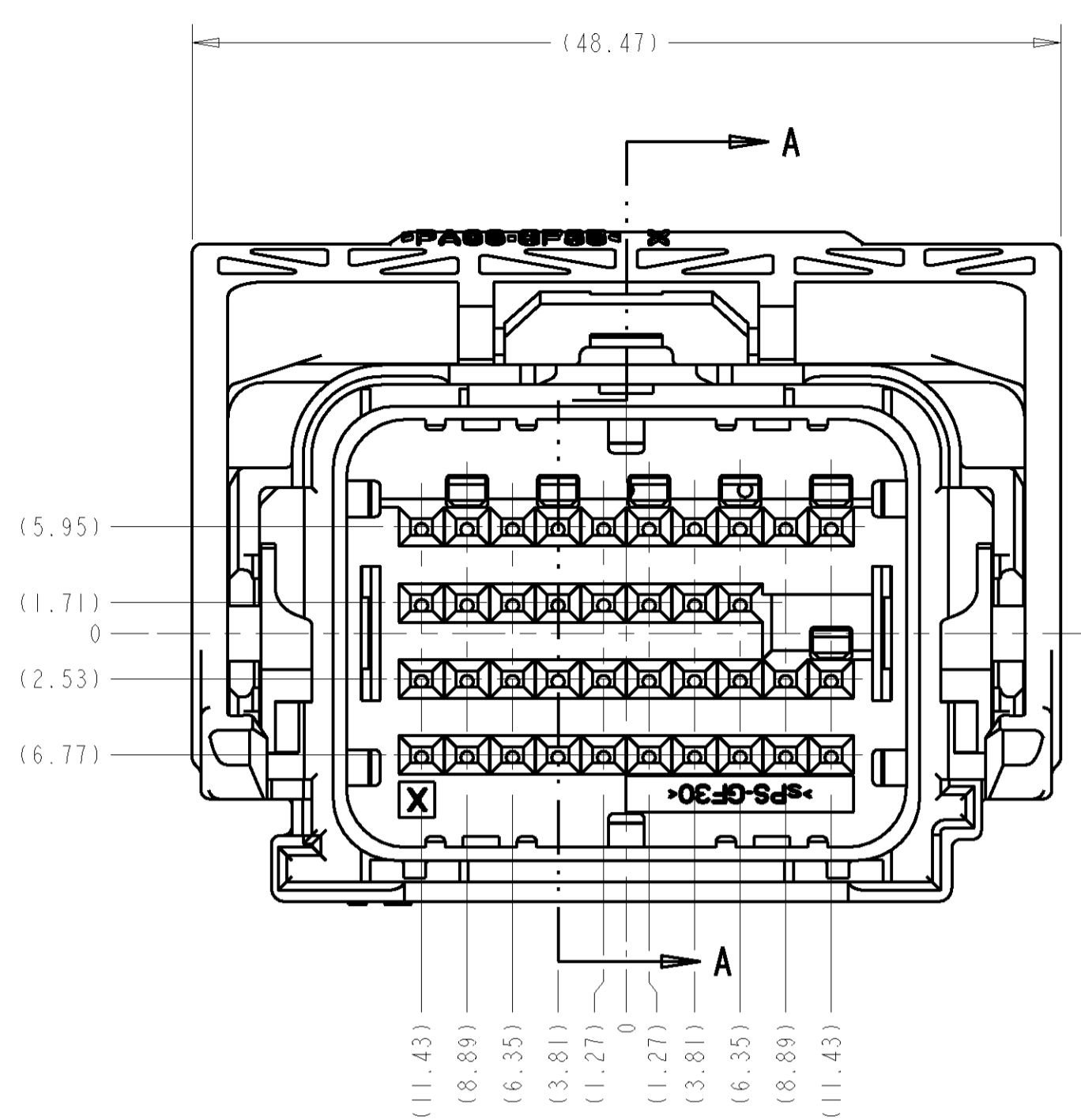
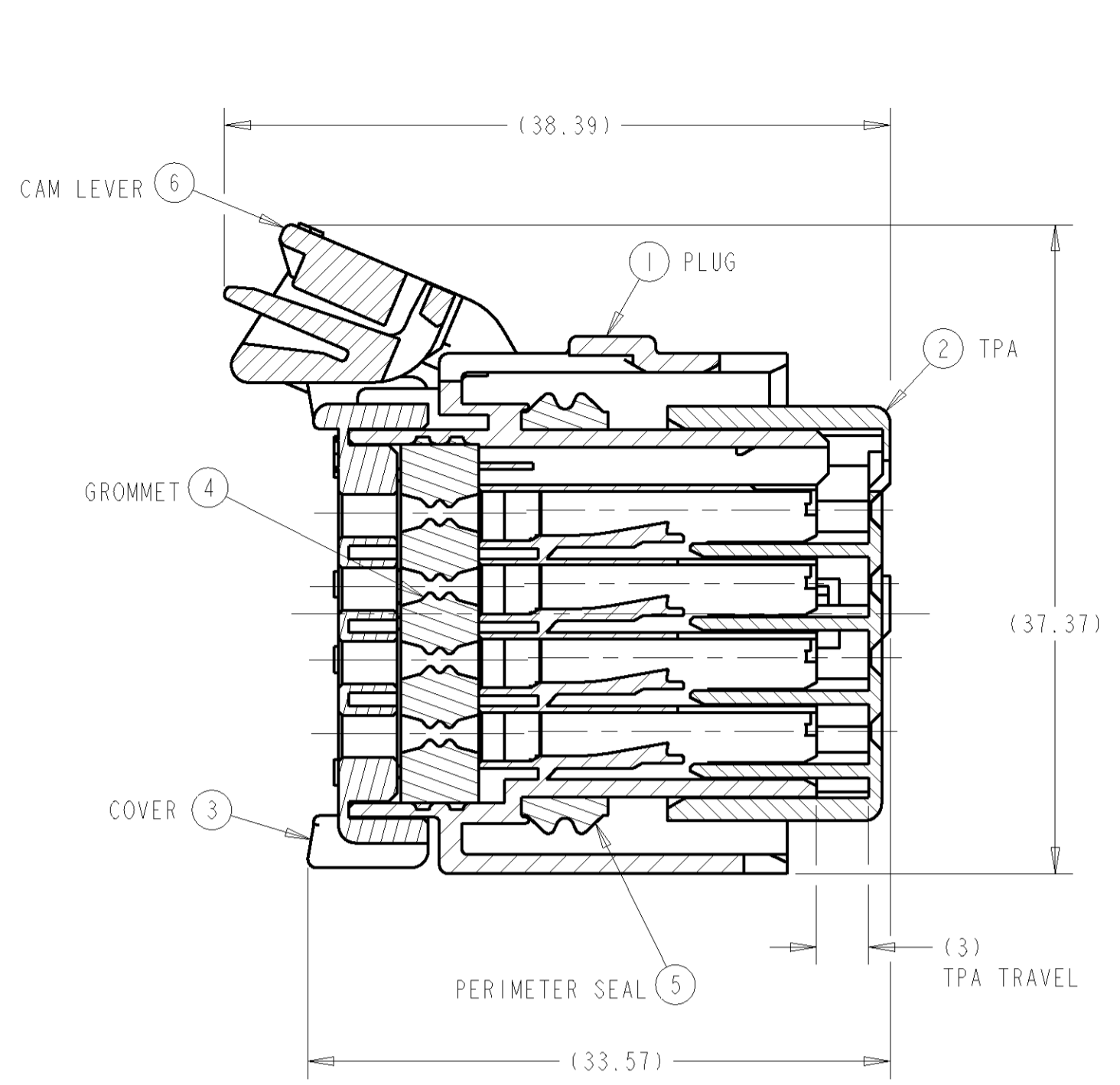
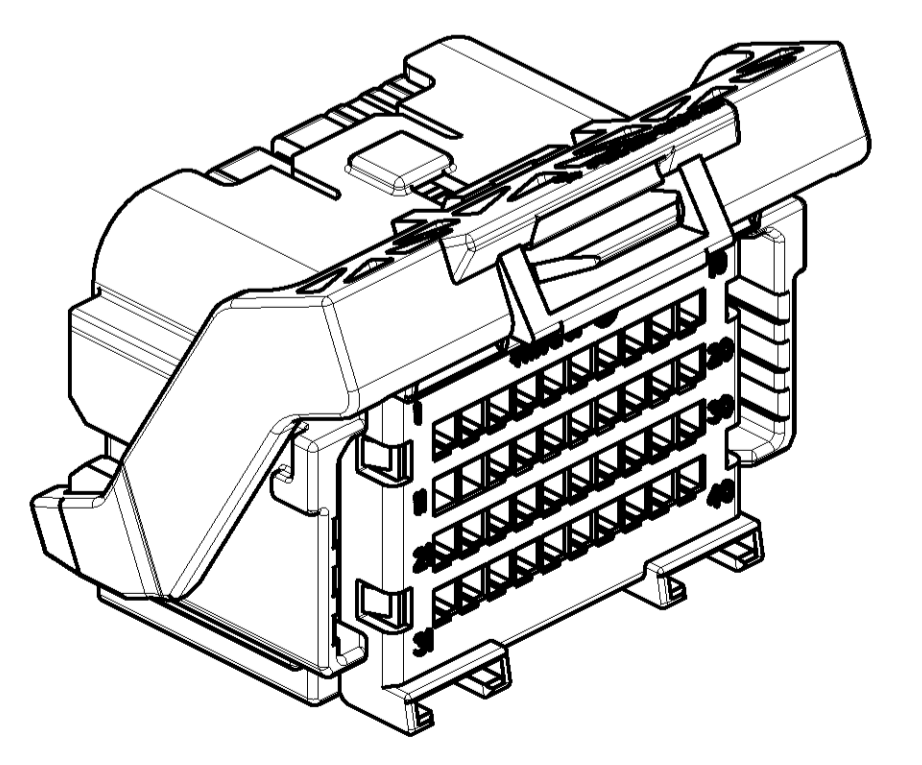
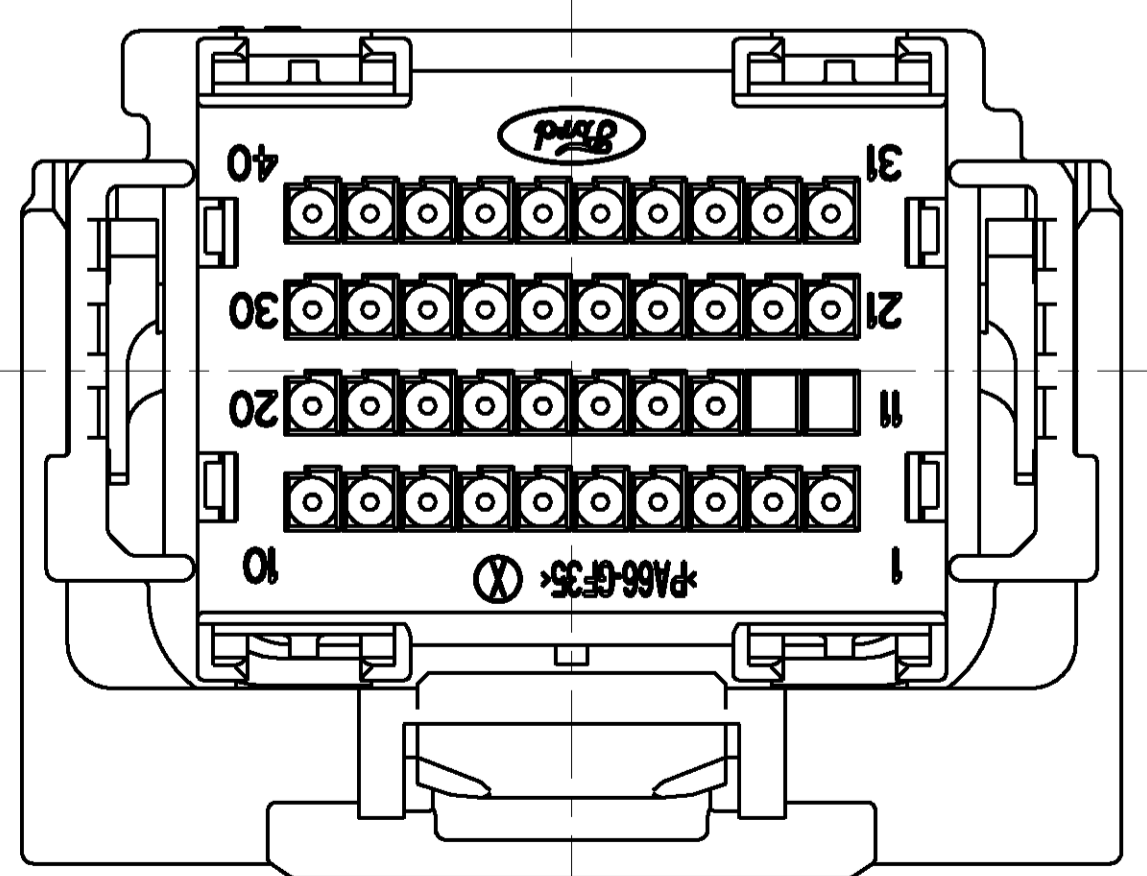
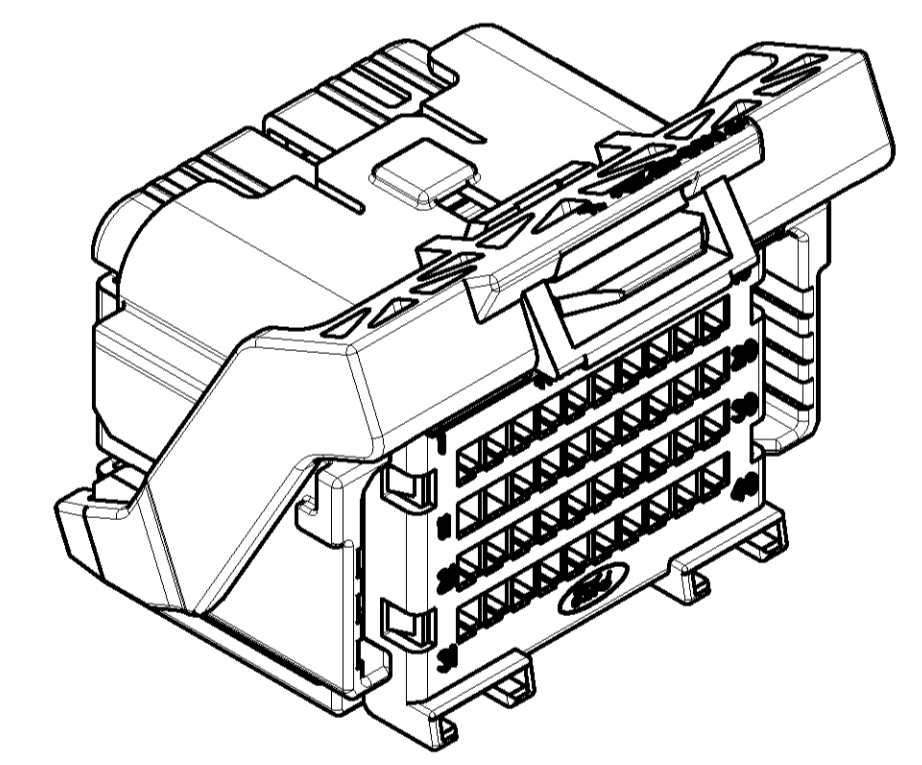
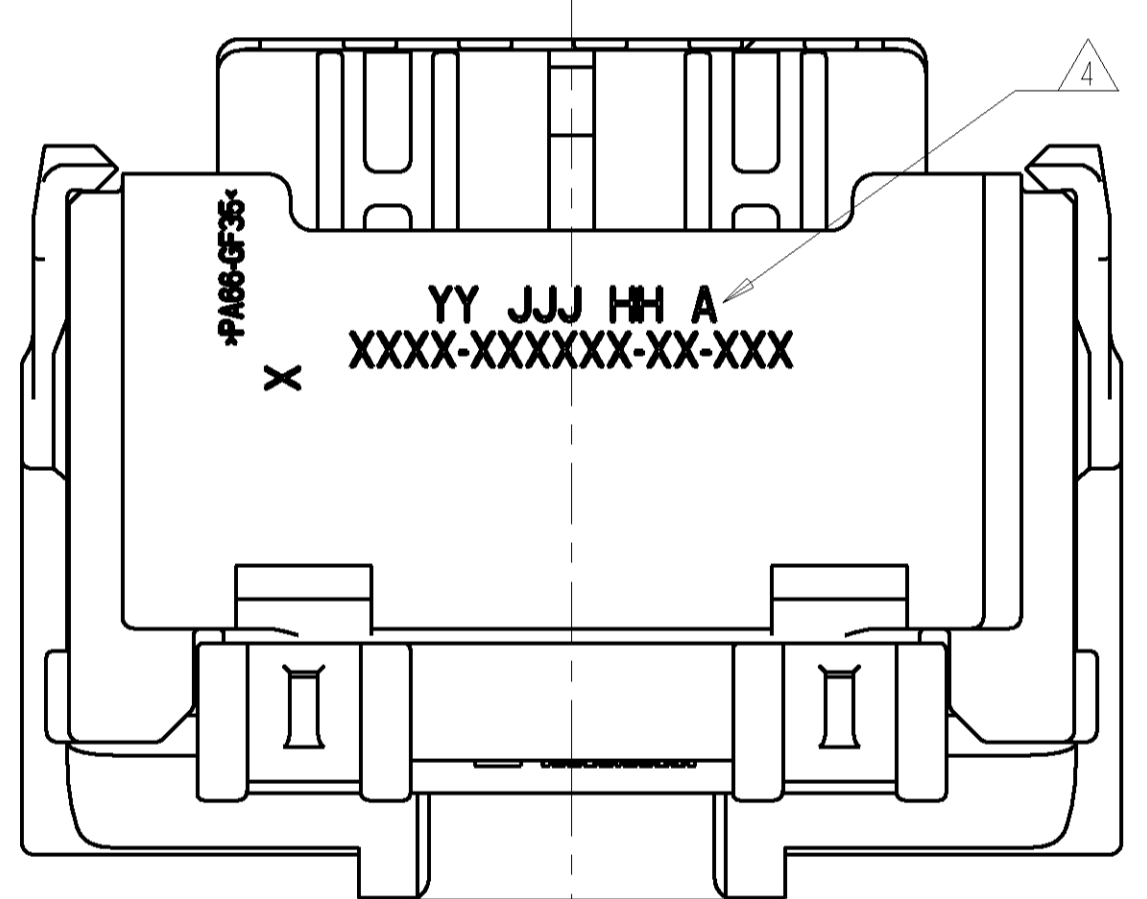
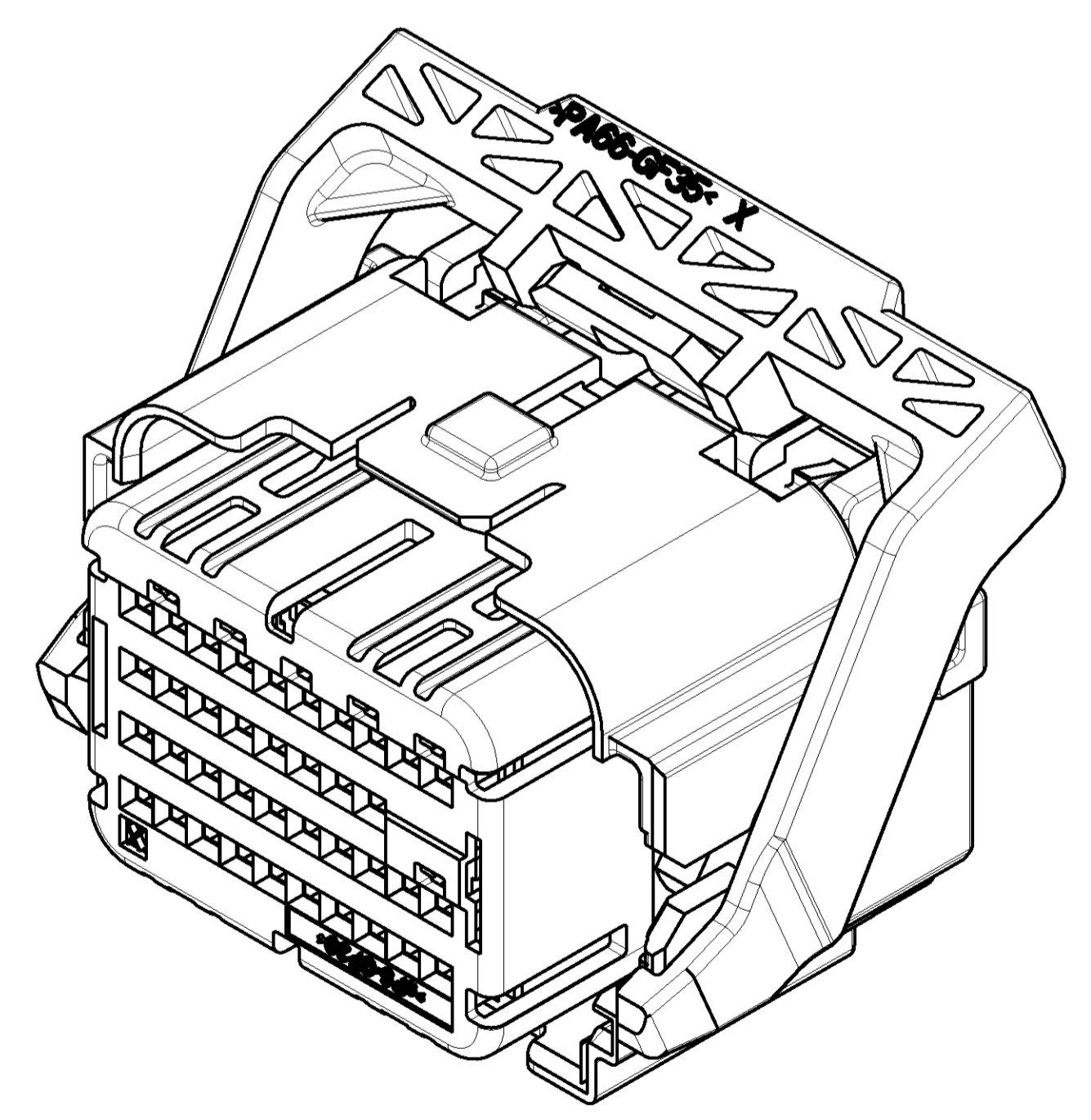


| LOC | DIST | REVISIONS | | | | |
|-----|------|-----------|---------------------------|-----------|-----|------|
| | | P. LTR | DESCRIPTION | DATE | DWN | APVD |
| FX | 00 | D1 | REVISED PER ECR 07-029132 | 07JAN2008 | DLD | WTW |
| | | E | REVISED PER ECR 07-030366 | 08JAN2008 | DLD | WTW |
| | | F | REVISED PER ECO 08-006962 | 19MAR2008 | DLD | WTW |



SECTION A-A
 SHOWN WITH CAM LEVER
 AND TPA IN THEIR
 PRE-LOADED POSITIONS
 (DELIVERY CONDITION)

MINIMUM FEED THROUGH CONDITION
 WITH 1mm CLEARANCE ALL AROUND
 SHOWN WITH OPTION WIRESHIELD
 TPA IS IN IT'S LOADED POSITION
 CAM LEVER IS IN IT'S PRE-LOADED POSITION



- NOTE(S):
- APPLICABLE TERMINAL PART NUMBERS (SOLD SEPARATELY):
 FOR TIN APPLICATIONS: 1393367 AND 1393366.
 FOR GOLD APPLICATIONS: 1393365 AND 1393364.
 FOR TERMINATION AND REELING OPTIONS
 SEE DRAWINGS 1393367, 1393366, 1393365, AND 1393364.
 - COMPATIBLE WIRE SIZES FOR MAT SEAL DESIGN 1.19 TO 2.06 O.D.
 (22-18 AWG, 0.35-0.75 mm²)
 - TPA AND CAM LEVER ARE SHIPPED IN THEIR PRE-LOADED POSITION.
 ALL ASSEMBLIES ARE TO BE TRAY PACKAGED.
 - CUSTOMER PART NUMBER AND TRACEABILITY CODE (YY = TWO DIGIT YEAR,
 JJJ = JULIAN DAY, HH = TWO DIGIT MILITARY HOUR, A=ASSEMBLY PROCESS
 USED) ARE PRINTED IN THIS LOCATION.
 - PART ASSEMBLY WEIGHT WITHOUT TERMINALS AND WITH STANDARD PIN-OUT
 CONFIGURATION IS 26.09 GRAMS.
 - OPTIONAL WIRESHIELD P/N 8-1419157-8 (SOLD SEPARATELY). PLEASE CONTACT
 YOUR TYCO ELECTRONICS SALES REPRESENTATIVE FOR AVAILABILITY AND PRICING.

| | | | | | | | |
|--------------------------------------|--|--|--|---|--|---|--|
| DIMENSIONS: mm | | TOLERANCES UNLESS OTHERWISE SPECIFIED: 0 PLC ± 1 PLC ±0.3 2 PLC ±0.10 3 PLC ± 4 PLC ± ANGLES ±MAX | | DWN: A. HOLT 14NOV2006 CHK: W. WELLSKY 14NOV2006 APVD: W. WELLSKY 14NOV2006 | | Tyco Electronics Harrisburg, PA 17105-3608 | |
| MATERIAL: SEE CHART ON SHEET 2 | | FINISH: - | | WEIGHT: SEE NOTE 5 | | NAME: 40 WAY SHORTING BAR ARM PLUG ASSEMBLY WITHOUT SHORTING BARS LOADED | |
| CUSTOMER DRAWING | | SIZE: 00779 | | C=1924170 | | RESTRICTED TO: SCALE: 3:1 SHEET 1 OF 5 REV F | |

| LOC | DIST | REVISIONS | | | |
|-----|------|-----------|-------------|----|------|
| | | REV | DATE | BY | APPV |
| FX | 00 | - | SEE SHEET 1 | - | - |

| ITEM | DESCRIPTION | MATERIAL | FINISH/COLOR |
|------|--|-------------|--------------|
| 6 | CAM LEVER | PA66 35% GF | GRAY |
| 6 | CAM LEVER WITH MODIFIED TAB | PA66 35% GF | GRAY |
| 5 | PERIMETER SEAL | SILICONE | GREEN |
| 4 | GROMMET | SILICONE | BROWN |
| 3 | COVER | PA66 35% GF | BLACK |
| 2 | TPA FOR SHORTING BAR APPLICATIONS | sPS 30% GF | NATURAL |
| 1 | PLUG WITH KEYING OPTION "H" AND 6 SHORTING BAR POSITIONS CONFIGURATION | PA66 35% GF | BLACK |
| 1 | PLUG WITH KEYING OPTION "G" AND 6 SHORTING BAR POSITIONS CONFIGURATION | PA66 35% GF | BLACK |

QUANTITY

| ITEM | DESCRIPTION | MATERIAL | FINISH/COLOR |
|------|--|-------------|--------------|
| 6 | CAM LEVER | PA66 35% GF | GRAY |
| 6 | CAM LEVER WITH MODIFIED TAB | PA66 35% GF | GRAY |
| 5 | PERIMETER SEAL | SILICONE | GREEN |
| 4 | GROMMET | SILICONE | BROWN |
| 3 | COVER | PA66 35% GF | BLACK |
| 2 | TPA FOR SHORTING BAR APPLICATIONS | sPS 30% GF | NATURAL |
| 1 | PLUG WITH KEYING OPTION "H" AND 6 SHORTING BAR POSITIONS CONFIGURATION | PA66 35% GF | BLACK |
| 1 | PLUG WITH KEYING OPTION "G" AND 6 SHORTING BAR POSITIONS CONFIGURATION | PA66 35% GF | BLACK |

| ITEM | DESCRIPTION | MATERIAL | FINISH/COLOR |
|------|--|-------------|--------------|
| 6 | CAM LEVER | PA66 35% GF | GRAY |
| 6 | CAM LEVER WITH MODIFIED TAB | PA66 35% GF | GRAY |
| 5 | PERIMETER SEAL | SILICONE | GREEN |
| 4 | GROMMET | SILICONE | BROWN |
| 3 | COVER | PA66 35% GF | BLACK |
| 2 | TPA FOR SHORTING BAR APPLICATIONS | sPS 30% GF | NATURAL |
| 1 | PLUG WITH KEYING OPTION "H" AND 6 SHORTING BAR POSITIONS CONFIGURATION | PA66 35% GF | BLACK |
| 1 | PLUG WITH KEYING OPTION "G" AND 6 SHORTING BAR POSITIONS CONFIGURATION | PA66 35% GF | BLACK |

QUANTITY

| ITEM | DESCRIPTION | MATERIAL | FINISH/COLOR |
|------|--|-------------|--------------|
| 6 | CAM LEVER | PA66 35% GF | GRAY |
| 6 | CAM LEVER WITH MODIFIED TAB | PA66 35% GF | GRAY |
| 5 | PERIMETER SEAL | SILICONE | GREEN |
| 4 | GROMMET | SILICONE | BROWN |
| 3 | COVER | PA66 35% GF | BLACK |
| 2 | TPA FOR SHORTING BAR APPLICATIONS | sPS 30% GF | NATURAL |
| 1 | PLUG WITH KEYING OPTION "H" AND 6 SHORTING BAR POSITIONS CONFIGURATION | PA66 35% GF | BLACK |
| 1 | PLUG WITH KEYING OPTION "G" AND 6 SHORTING BAR POSITIONS CONFIGURATION | PA66 35% GF | BLACK |

| | | | | | | | |
|-----------------------|--|--|--|--|--|---|--|
| DIMENSIONS: mm | | TOLERANCES UNLESS OTHERWISE SPECIFIED: 0 PLC #+ 1 PLC #+0.3 2 PLC #+0.10 3 PLC #+ 4 PLC #+ ANGLES #+ | | DWN A. HOLT 14NOV2006 CHK W. WELLSKY 14NOV2006 APVD W. WELLSKY 14NOV2006 NAME PRODUCT SPEC APPLICATION SPEC WEIGHT CUSTOMER DRAWING | | Tyco Electronics Harrisburg, PA 17105-3608 40 WAY SHORTING BAR ARM PLUG ASSEMBLY WITHOUT SHORTING BARS LOADED SIZE CASE CODE DRAWING NO A1 00779 C=1924170 SHEET 2 OF 5 REV F | |
|-----------------------|--|--|--|--|--|---|--|

| LOC | QTY | REV | DATE | BY | APPV |
|-----|-----|-----|------|----|------|
| FX | 00 | | | | |

PIN OUT CHART

BLANK CAVITIES INDICATE OPEN TERMINAL HOLE POSITIONS
 CAVITIES WITH A NUMERIC SYMBOL INDICATE CLOSED TERMINAL HOLE POSITIONS

| TERMINAL HOLE POSITION | | | | | | | | | | | | | | | | | | | | | | | | | | | | | | | | | | | | | | | | ASSEMBLY PART NUMBER | KEYING OPTION | | | | |
|------------------------|--|--|--|--|--|--|--|--|--|--|--|--|--|--|--|--|--|--|--|--|--|--|--|--|--|--|--|--|--|--|--|--|--|--|--|--|--|--|--|----------------------|---------------|---|-------------|-------------|---|
| | | | | | | | | | | | | | | | | | | | | | | | | | | | | | | | | | | | | | | | | | 0-1924172-1 | G | | | |
| | | | | | | | | | | | | | | | | | | | | | | | | | | | | | | | | | | | | | | | | | | | 0-1924172-2 | G | |
| | | | | | | | | | | | | | | | | | | | | | | | | | | | | | | | | | | | | | | | | | | | | 0-1924172-3 | G |
| | | | | | | | | | | | | | | | | | | | | | | | | | | | | | | | | | | | | | | | | | | | | 0-1924172-4 | G |
| | | | | | | | | | | | | | | | | | | | | | | | | | | | | | | | | | | | | | | | | | | | | 0-1924172-5 | G |
| | | | | | | | | | | | | | | | | | | | | | | | | | | | | | | | | | | | | | | | | | | | | 0-1924172-6 | G |
| | | | | | | | | | | | | | | | | | | | | | | | | | | | | | | | | | | | | | | | | | | | | 0-1924172-7 | G |
| | | | | | | | | | | | | | | | | | | | | | | | | | | | | | | | | | | | | | | | | | | | | 0-1924172-8 | G |
| | | | | | | | | | | | | | | | | | | | | | | | | | | | | | | | | | | | | | | | | | | | | 0-1924172-9 | G |
| | | | | | | | | | | | | | | | | | | | | | | | | | | | | | | | | | | | | | | | | | | | | 0-1924172-0 | G |
| | | | | | | | | | | | | | | | | | | | | | | | | | | | | | | | | | | | | | | | | | | | | 1-1924172-1 | G |
| | | | | | | | | | | | | | | | | | | | | | | | | | | | | | | | | | | | | | | | | | | | | 1-1924172-2 | G |
| | | | | | | | | | | | | | | | | | | | | | | | | | | | | | | | | | | | | | | | | | | | | 1-1924172-3 | G |
| | | | | | | | | | | | | | | | | | | | | | | | | | | | | | | | | | | | | | | | | | | | | 1-1924172-4 | G |
| | | | | | | | | | | | | | | | | | | | | | | | | | | | | | | | | | | | | | | | | | | | | 1-1924172-5 | G |
| | | | | | | | | | | | | | | | | | | | | | | | | | | | | | | | | | | | | | | | | | | | | 1-1924172-6 | G |

PIN OUT CHART

BLANK CAVITIES INDICATE OPEN TERMINAL HOLE POSITIONS
 CAVITIES WITH A NUMERIC SYMBOL INDICATE CLOSED TERMINAL HOLE POSITIONS

| TERMINAL HOLE POSITION | | | | | | | | | | | | | | | | | | | | | | | | | | | | | | | | | | | | | | | | ASSEMBLY PART NUMBER | KEYING OPTION | | | | | | | |
|------------------------|--|--|--|--|--|--|--|--|--|--|--|--|--|--|--|--|--|--|--|--|--|--|--|--|--|--|--|--|--|--|--|--|--|--|--|--|--|--|--|----------------------|---------------|--|--|--|--|-------------|-------------|---|
| | | | | | | | | | | | | | | | | | | | | | | | | | | | | | | | | | | | | | | | | | | | | | | 0-1924173-1 | H | |
| | | | | | | | | | | | | | | | | | | | | | | | | | | | | | | | | | | | | | | | | | | | | | | | 0-1924173-2 | H |
| | | | | | | | | | | | | | | | | | | | | | | | | | | | | | | | | | | | | | | | | | | | | | | | 0-1924173-3 | H |
| | | | | | | | | | | | | | | | | | | | | | | | | | | | | | | | | | | | | | | | | | | | | | | | 0-1924173-4 | H |
| | | | | | | | | | | | | | | | | | | | | | | | | | | | | | | | | | | | | | | | | | | | | | | | 0-1924173-5 | H |
| | | | | | | | | | | | | | | | | | | | | | | | | | | | | | | | | | | | | | | | | | | | | | | 0-1924173-6 | H | |
| | | | | | | | | | | | | | | | | | | | | | | | | | | | | | | | | | | | | | | | | | | | | | | 0-1924173-7 | H | |
| | | | | | | | | | | | | | | | | | | | | | | | | | | | | | | | | | | | | | | | | | | | | | | 0-1924173-8 | H | |
| | | | | | | | | | | | | | | | | | | | | | | | | | | | | | | | | | | | | | | | | | | | | | | 0-1924173-9 | H | |
| | | | | | | | | | | | | | | | | | | | | | | | | | | | | | | | | | | | | | | | | | | | | | | 1-1924173-0 | H | |
| | | | | | | | | | | | | | | | | | | | | | | | | | | | | | | | | | | | | | | | | | | | | | | 1-1924173-1 | H | |
| | | | | | | | | | | | | | | | | | | | | | | | | | | | | | | | | | | | | | | | | | | | | | | 1-1924173-2 | H | |
| | | | | | | | | | | | | | | | | | | | | | | | | | | | | | | | | | | | | | | | | | | | | | | 1-1924173-3 | H | |
| | | | | | | | | | | | | | | | | | | | | | | | | | | | | | | | | | | | | | | | | | | | | | | 1-1924173-4 | H | |
| | | | | | | | | | | | | | | | | | | | | | | | | | | | | | | | | | | | | | | | | | | | | | | 1-1924173-5 | H | |
| | | | | | | | | | | | | | | | | | | | | | | | | | | | | | | | | | | | | | | | | | | | | | | 1-1924173-6 | H | |
| | | | | | | | | | | | | | | | | | | | | | | | | | | | | | | | | | | | | | | | | | | | | | | 1-1924173-7 | H | |
| | | | | | | | | | | | | | | | | | | | | | | | | | | | | | | | | | | | | | | | | | | | | | | 1-1924173-8 | H | |
| | | | | | | | | | | | | | | | | | | | | | | | | | | | | | | | | | | | | | | | | | | | | | | 1-1924173-9 | H | |
| | | | | | | | | | | | | | | | | | | | | | | | | | | | | | | | | | | | | | | | | | | | | | | 2-1924173-0 | H | |
| | | | | | | | | | | | | | | | | | | | | | | | | | | | | | | | | | | | | | | | | | | | | | | 2-1924173-1 | H | |

| | | | |
|--|--|---|--|
| <small>THIS DRAWING IS UNPUBLISHED. RELEASED FOR PUBLICATION APRIL 20, 2002. THIS DRAWING IS UNPUBLISHED. RELEASED FOR PUBLICATION APRIL 20, 2002.</small> <small>THIS DRAWING IS UNPUBLISHED. RELEASED FOR PUBLICATION APRIL 20, 2002.</small> | | DWN: A. HOLT 14NOV2006 CHK: W. WELLINSKY 14NOV2006 APVD: W. WELLINSKY 14NOV2006 | Tyco Electronics Harrisburg, PA 17105-3608 |
| DIMENSIONS: mm | TOLERANCES UNLESS OTHERWISE SPECIFIED: 0 PLC ±.3 1 PLC ±0.3 2 PLC ±.10 3 PLC ±.05 4 PLC ±.02 ANGLES ±.5° | NAME: 40 WAY SHORTING BAR ARM PLUG ASSEMBLY WITHOUT SHORTING BARS LOADED PRODUCT SPEC: - APPLICATION SPEC: - FINISH: - | SIZE: A CAGE CODE: 00779 DRAWING NO: 1924170 RESTRICTED TO: - |
| MATERIAL: SEE CHART ON SHEET 2 | | WEIGHT: - CUSTOMER DRAWING | SCALE: 3:1 SHEET 5 OF 5 REV F |

Компания «Life Electronics» занимается поставками электронных компонентов импортного и отечественного производства от производителей и со складов крупных дистрибьюторов Европы, Америки и Азии.

С конца 2013 года компания активно расширяет линейку поставок компонентов по направлению коаксиальный кабель, кварцевые генераторы и конденсаторы (керамические, пленочные, электролитические), за счёт заключения дистрибьюторских договоров

Мы предлагаем:

- Конкурентоспособные цены и скидки постоянным клиентам.
- Специальные условия для постоянных клиентов.
- Подбор аналогов.
- Поставку компонентов в любых объемах, удовлетворяющих вашим потребностям.
- Приемлемые сроки поставки, возможна ускоренная поставка.
- Доставку товара в любую точку России и стран СНГ.
- Комплексную поставку.
- Работу по проектам и поставку образцов.
- Формирование склада под заказчика.
- Сертификаты соответствия на поставляемую продукцию (по желанию клиента).
- Тестирование поставляемой продукции.
- Поставку компонентов, требующих военную и космическую приемку.
- Входной контроль качества.
- Наличие сертификата ISO.

В составе нашей компании организован Конструкторский отдел, призванный помогать разработчикам, и инженерам.

Конструкторский отдел помогает осуществить:

- Регистрацию проекта у производителя компонентов.
- Техническую поддержку проекта.
- Защиту от снятия компонента с производства.
- Оценку стоимости проекта по компонентам.
- Изготовление тестовой платы монтаж и пусконаладочные работы.



Тел: +7 (812) 336 43 04 (многоканальный)

Email: org@lifeelectronics.ru