

NHD-2.7-12864WDY3-M

Graphic OLED Display Module

NHD-	Newhaven Display
2.7-	2.7" Diagonal Size
12864-	128 x 64 Pixel Resolution
WD-	Model
Y-	Emitting Color: Yellow
3-	+3.3V Power Supply
M-	Molex (52271-2079) Connector Interface

Newhaven Display International, Inc.

2661 Galvin Ct.

Elgin IL, 60124

Ph: 847-844-8795

Fax: 847-844-8796

www.newhavendisplay.com

nhtech@newhavendisplay.com

nhsales@newhavendisplay.com

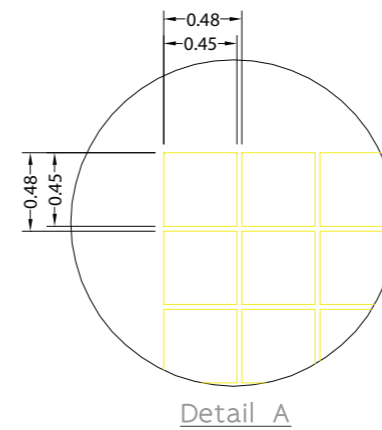
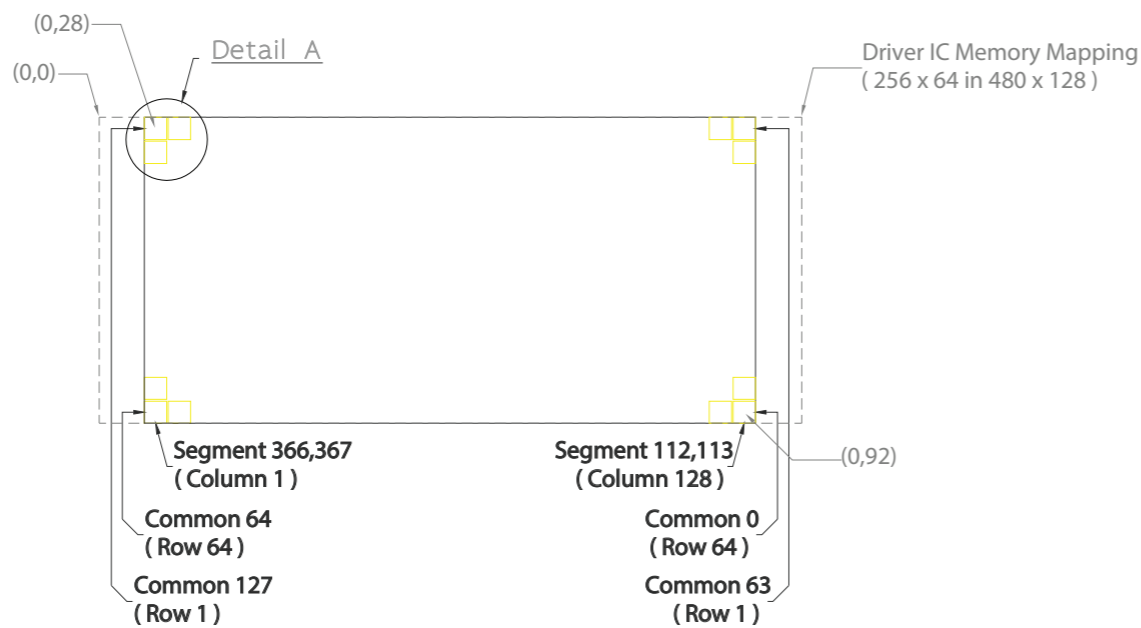
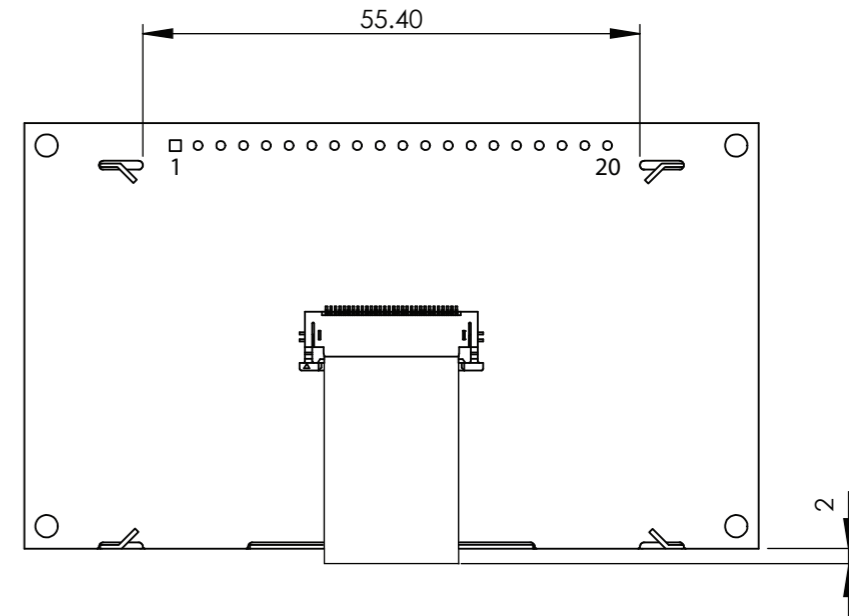
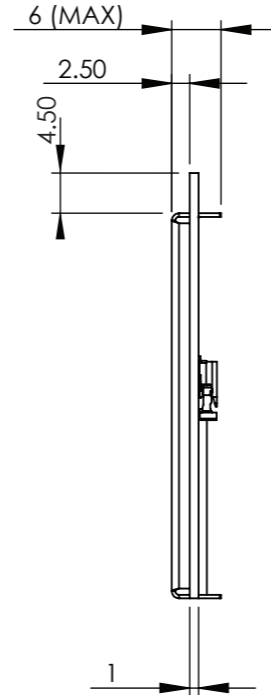
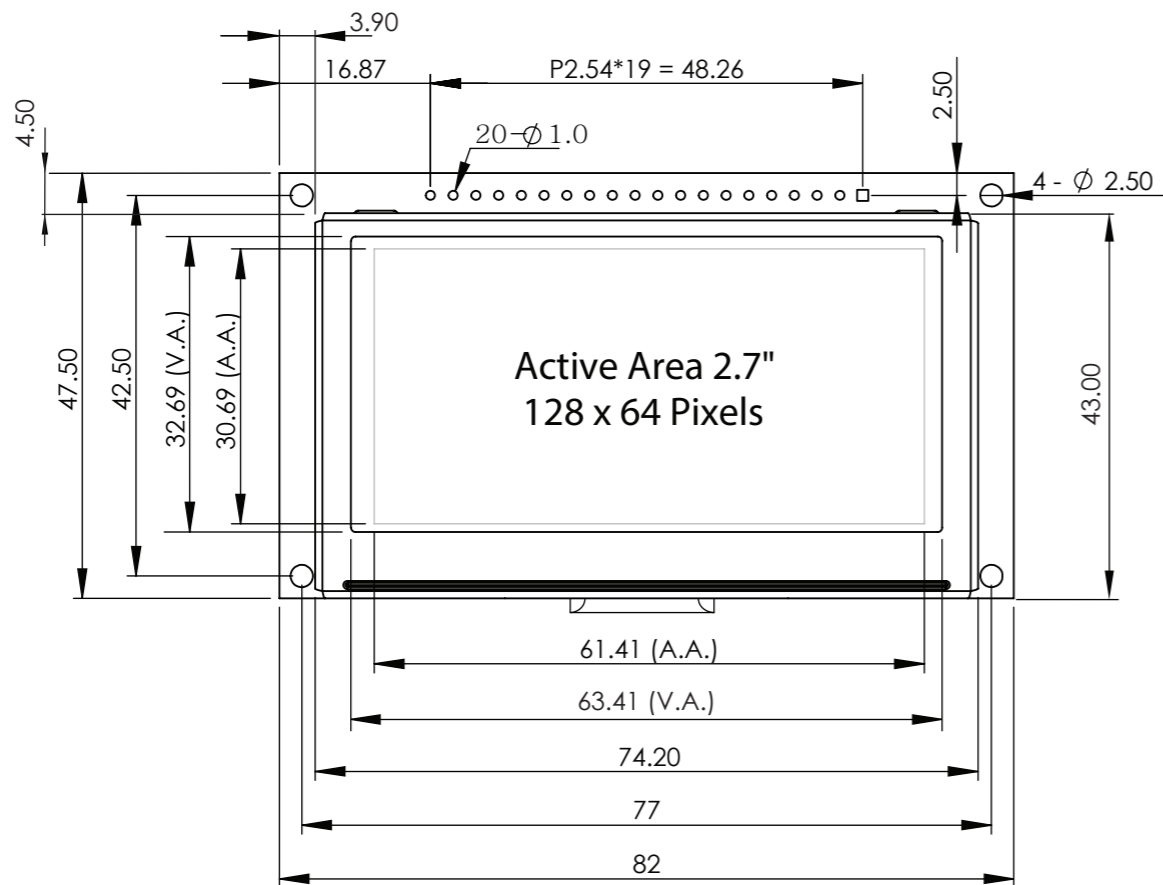
Document Revision History

Revision	Date	Description	Changed by
-	6/2/2017	Initial Release	ML
1	7/25/2017	Update Storage Temperature range	ML
2	3/31/20	Brightness Updated, Updated Interface Information	SB
3	5/12/20	Included Additional Dimensions on Mechanical Drawing	AS

Functions and Features

- 128 x 64 pixel resolution
- Built-in SSD1322 controller
- Parallel or Serial MPU interface
- Single, low voltage power supply
- Power options via on-board jumpers
- RoHS compliant

SYMBOL	REVISION	DATE



- Notes:
1. Display Color: Yellow
 2. Interface: 8-bit 68XX/80XX Parallel, 3-/4-wire SPI
 3. Controller: SSD1322

STANDARD TOLERANCE: (UNLESS OTHERWISE SPECIFIED)			REVISION:
			1.0
LINEAR: ±0.3mm	DRAWING/PART NUMBER:		SIZE:
	NHD-2.7-12864WDY3-M		A3
UNLESS OTHERWISE SPECIFIED: - DIMENSIONS ARE IN MILLIMETERS - THIRD ANGLE PROJECTION	DRAWN BY:	APPROVED BY:	SCALE:
	H. Aloum	A. Khan	NS
DRAWN DATE: 05/06/20		APPROVED DATE: 05/06/20	
DO NOT SCALE DRAWING			SHEET 1 OF 1
THIS DRAWING IS SOLELY THE PROPERTY OF NEWHAVEN DISPLAY INTERNATIONAL, INC. THE INFORMATION IT CONTAINS IS NOT TO BE DISCLOSED, REPRODUCED OR COPIED IN WHOLE OR PART WITHOUT WRITTEN APPROVAL FROM NEWHAVEN DISPLAY.			

Interface Description

Parallel Interface:

Pin No.	Symbol	External Connection	Function Description
1	V _{SS}	Power Supply	Ground
2	V _{DD}	Power Supply	Supply Voltage for OLED module
3	N.C. (BC_V _{DD})	-	No Connect by default. Can be configured to provide independent supply voltage (2.8V – 12V DC) for boost converter. (refer to On-Board Jumper Options section below)
4	D/C	MPU	Data/Command select signal, D/C=0: Command; D/C=1: Data
5	R/W or /WR	MPU	6800-interface: Read/Write select signal, R/W=1: Read, R/W=0: Write 8080-interface: Active LOW Write signal
6	E or /RD	MPU	6800-interface: Operation Enable signal Active High 8080-interface: Active LOW Read signal
7-14	DB0 – DB7	MPU	8-bit bi-directional Data Bus
15	N.C. (VCC)	-	No Connect by default. Can be configured for external VCC (+15V). (refer to On-Board Jumper Options table below)
16	/RES	MPU	Active LOW Reset signal
17	/CS	MPU	Active LOW Chip Select signal
18	/SHDN (N.C.)	MPU	Active LOW Shutdown control pin for boost converter (pulled HIGH via on-board 15kΩ resistor) Can be made a No Connect by removing resistor R1.
19	BS1	MPU	MPU Interface select signal
20	BS0	MPU	MPU Interface select signal

Serial Interface:

Pin No.	Symbol	External Connection	Function Description
1	V _{SS}	Power Supply	Ground
2	V _{DD}	Power Supply	Supply Voltage for OLED module
3	N.C. (BC_V _{DD})	-	No Connect by default. Can be configured to provide independent supply voltage (2.8V – 12V DC) for boost converter. (refer to On-Board Jumper Options table below)
4	D/C	MPU	Data/Command select signal, D/C=0: Command; D/C=1: Data (tie LOW for 3-wire Serial Interface)
5-6	VSS	Power Supply	Ground
7	SCLK	MPU	Serial Clock signal
8	SDIN	MPU	Serial Data Input signal
9	N.C.	-	No Connect
10-14	VSS	Power Supply	Ground
15	N.C. (VCC)	-	No Connect by default. Can be configured for external VCC (+15V). (refer to On-Board Jumper Options section below)
16	/RES	MPU	Active LOW Reset signal
17	/CS	MPU	Active LOW Chip Select signal
18	/SHDN (N.C.)	MPU	Active LOW Shutdown control pin for boost converter (pulled HIGH via on-board 15kΩ resistor) Can be made a No Connect by removing resistor R1.
19	BS1	MPU	MPU Interface select signal
20	BS0	MPU	MPU Interface select signal

Interface Selection

MPU Interface Pin Selections

Pin Name	6800 Parallel 8-bit interface	8080 Parallel 8-bit interface	3-wire Serial Interface	4-wire Serial Interface
BS1	1	1	0	0
BS0	1	0	1	0

MPU Interface Pin Assignment Summary

Bus Interface	Data/Command Interface							Control Signals						
	D7	D6	D5	D4	D3	D2	D1	D0	E	R/W	/CS	D/C	/RES	
8-bit 6800	D[7:0]							E	R/W	/CS	D/C	/RES		
8-bit 8080	D[7:0]							/RD	/WR	/CS	D/C	/RES		
3-wire SPI	Tie LOW			NC		SDIN	SCLK	Tie LOW		/CS	Tie LOW	/RES		
4-wire SPI	Tie LOW			NC		SDIN	SCLK	Tie LOW		/CS	D/C	/RES		

On-Board Jumper Options

Default Jumper Setting

R4	R5	R7	Description
Close	Open	Open	(default) OLED controller and boost converter + OLED panel are powered from VDD (pin #2). This allows the full module to be powered by a single low-voltage supply.

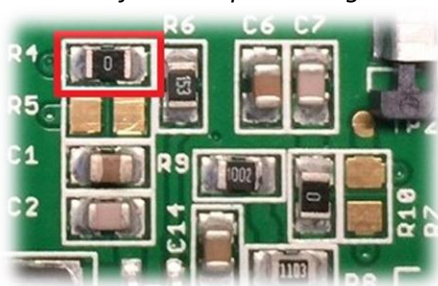
Jumper Option #1 - Independent Supply Voltage for Boost Converter (BC_VDD)

R4	R5	R7	Description
Open	Close	Open	Boost converter + OLED panel are powered from BC_VDD (pin #3). OLED controller is still powered from VDD (pin #2). This allows for increased efficiency through the boost converter, by allowing a supply voltage up to +12V at its input, BC_VDD (pin #3).

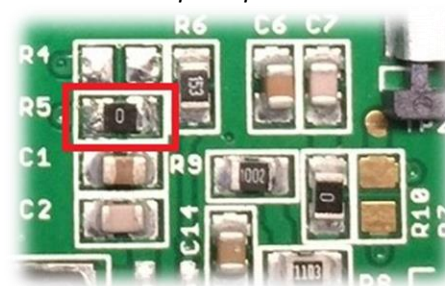
Jumper Option #2 – External Supply Voltage for OLED Panel (VCC)

R4	R5	R7	Description
Open	Open	Close	OLED panel is powered from VCC (pin #15) – boost converter is not used. OLED controller is still powered from VDD (pin #2). This allows for maximum module efficiency, and drastically reduced total current consumption.

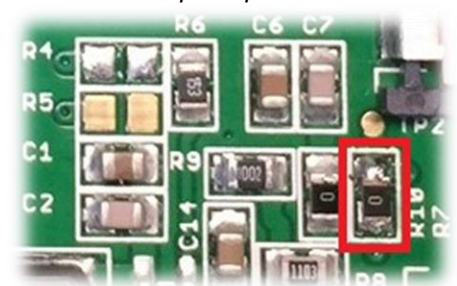
Default Jumper Setting



Jumper Option #1



Jumper Option #2



For detailed electrical information on each jumper option, please see the Electrical Characteristics table below.

Electrical Characteristics

Values for Current shown below are based on the recommended initialization provided on page 12.

Item	Symbol	Condition	Min.	Typ.	Max.	Unit
Operating Temperature Range	T _{OP}	Absolute Max	-40	-	+85	°C
Storage Temperature Range	T _{ST}	Absolute Max	-40	-	+85	°C
Default Jumper Setting						
Supply Voltage for Module	V _{DD}	-	2.8	3.3	3.5	V
Supply Current for Module	I _{DD}	V _{DD} =3.3V, 50% ON	-	200	220	mA
		V _{DD} =3.3V, 100% ON	-	330	360	mA
Jumper Option #1						
Supply Voltage for Module	V _{DD}	-	2.8	3.3	3.5	V
Supply Voltage for Boost Converter	BC_V _{DD}	-	2.8	-	12	V
Supply Current for Module	I _{DD}	V _{DD} =3.3V	-	180	295	μA
Supply Current for Boost Converter	I _{DD-BC}	BC_V _{DD} =5.0V, 50% ON	-	125	140	mA
		BC_V _{DD} =5.0V, 100% ON	-	190	205	mA
		BC_V _{DD} =12.0V, 50% ON	-	50	60	mA
		BC_V _{DD} =12.0V, 100% ON	-	70	80	mA
Jumper Option #2						
Supply Voltage for Module	V _{DD}	-	2.8	3.3	3.5	V
Supply Voltage for OLED Panel	V _{CC}	-	14.5	15	15.5	V
Supply Current for Module	I _{DD}	V _{DD} =3.3V	-	180	300	μA
Supply Current for OLED Panel	I _{CC}	V _{CC} =15V, 50% ON	-	35	40	mA
		V _{CC} =15V, 100% ON	-	50	60	mA
Sleep Mode Current	I _{DD-SLEEP}	-	-	25	120	μA
"H" Level input	V _{IH}	-	0.8 * V _{DD}	-	V _{DD}	V
"L" Level input	V _{IL}	-	V _{SS}	-	0.2 * V _{DD}	V
"H" Level output	V _{OH}	-	0.9 * V _{DD}	-	V _{DD}	V
"L" Level output	V _{OL}	-	V _{SS}	-	0.1 * V _{DD}	V

Note: The electrical characteristics shown above for Jumper Option #1 and Jumper Option #2 apply only when the on-board jumpers are configured accordingly. By default, only Default Jumper Setting supply voltage and current (in bold) need to be considered. For details, see On-Board Jumper Options section on previous page.

Optical Characteristics

Values for Brightness shown below are based on the recommended initialization provided on page 12.

Item	Symbol	Condition	Min.	Typ.	Max.	Unit
Optimal Viewing Angles	Top	φY+	-	85	-	°
	Bottom	φY-	-	85	-	°
	Left	θX-	-	85	-	°
	Right	θX+	-	85	-	°
Contrast Ratio	C _r	-	>10,000:1	-	-	-
Response Time	Rise	T _R	-	15	-	ns
	Fall	T _F	-	15	-	ns
Brightness	L _v	50% Checkerboard	60	80	-	cd/m ²
Lifetime	-	T _{OP} =25°C, L _v =100cd/m ²	60,000	-	-	hrs
	-	T _{OP} =25°C, L _v =80cd/m ²	100,000	-	-	hrs

Note: Lifetime at typical temperature is based on accelerated high-temperature operation. Lifetime is tested at average 50% pixels on and is rated as Hours until **Half-Brightness**. To extend the life of the display, lower values may be used for the contrast setting registers – see below table of commands for details.

Controller Information

Built-in SSD1322 controller.

For details, view full datasheet at http://www.newhavendisplay.com/app_notes/SSD1322.pdf

Table of Commands

Instruction	Code										Description	RESET value	
	D/C	HEX	DB7	DB6	DB5	DB4	DB3	DB2	DB1	DB0			
Enable Grayscale Table	0	00	0	0	0	0	0	0	0	0	0	Enable the Grayscale table settings. (see command 0xB8)	
Set Column Address	0 1 1	15 A[6:0] B[6:0]	0 * *	0 A6 B6	0 A5 B5	1 A4 B4	0 A3 B3	1 A2 B2	0 A1 B1	1 A0 B0	Set column start and end address A[6:0]: Column start address. Range: 0-119d B[6:0]: Column end address. Range: 0-119d	0 119d	
Write RAM Command	0	5C	0	1	0	1	1	1	0	0	Enable MCU to write Data into RAM		
Read RAM Command	0	5D	0	1	0	1	1	1	0	1	Enable MCU to read Data from RAM		
Set Row Address	0 1 1	75 A[6:0] B[6:0]	0 * *	1 A6 B6	1 A5 B5	1 A4 B4	0 A3 B3	1 A2 B2	0 A1 B1	1 A0 B0	Set row start and end address A[6:0]: Row start address. Range: 0-127d B[6:0]: Row end address. Range: 0-127d	0 127d	
Set Re-map	0 1 1	A0 A[5:0] B[4]	1 0 *	0 0 *	1 A5 0	0 A4 B4	0 0 0	0 A2 0	0 A1 0	0 A0 1	A[0] = 0; Horizontal Address Increment A[0] = 1; Vertical Address Increment A[1] = 0; Disable Column Address remap A[1] = 1; Enable Column Address remap A[2] = 0; Disable Nibble remap A[2] = 1; Enable Nibble remap A[4] = 0; Scan from COM0 to COM[N-1] A[4] = 1; Scan from COM[N-1] to COM0 A[5] = 0; Disable COM split Odd/Even A[5] = 1; Enable COM split Odd/Even B[4] = 0; Disable Dual COM mode B[4] = 1; Enable Dual COM mode Note: A[5] must be 0 if B[4] is 1.	0 0 0 0 0 0	
Set Display Start Line	0 1	A1 A[6:0]	1 *	0 A6	1 A5	0 A4	0 A3	0 A2	0 A1	1 A0	Set display RAM display start line register from 0-127.	0	
Set Display Offset	0 1	A2 A[6:0]	1 *	0 A6	1 A5	0 A4	0 A3	0 A2	1 A1	0 A0	Set vertical shift by COM from 0~127.	0	
Display Mode	0	A4~A7	1	0	1	0	0	X2	X1	X0	0xA4 = Entire display OFF 0xA5 = Entire display ON, all pixels Grayscale level 15 0xA6 = Normal display 0xA7 = Inverse display	0xA6	
Enable Partial Display	0 1 1	A8 A[6:0] B[6:0]	1 0 0	0 A6 B6	1 A5 B5	0 A4 B4	1 A3 B3	0 A2 B2	0 A1 B1	0 A0 B0	Turns ON partial mode. A[6:0] = Address of start row B[6:0] = Address of end row (B[6:0] > A[6:0])		
Exit Partial Display	0	A9	1	0	1	0	1	0	0	1	Exit Partial Display mode		
Function Selection	0 1	AB A[0]	1 0	0 0	1 0	0 0	1 0	0 0	1 0	1 A0	A[0] = 0; External VDD A[0] = 1; Internal VDD regulator	1	

Set Sleep Mode ON/OFF	0	AE~AF	1	0	1	0	1	1	1	X0	0xAE = Sleep Mode ON (display OFF) 0xAF = Sleep Mode OFF (display ON)	
Set Phase Length	0 1	B1 A[7:0]	1 A7	0 A6	1 A5	1 A4	0 A3	0 A2	0 A1	1 A0	A[3:0] = P1. Phase 1 period of 5-31 DCLK clocks A[7:4] = P2. Phase 2 period of 3-15 DCLK clocks	9 7
Set Display Clock Divide Ratio / Oscillator Frequency	0 1	B3 A[7:0]	1 A7	0 A6	1 A5	1 A4	0 A3	0 A2	1 A1	1 A0	A[3:0] = 0000; divide by 1 A[3:0] = 0001; divide by 2 A[3:0] = 0010; divide by 4 A[3:0] = 0011; divide by 8 A[3:0] = 0100; divide by 16 A[3:0] = 0101; divide by 32 A[3:0] = 0110; divide by 64 A[3:0] = 0111; divide by 128 A[3:0] = 1000; divide by 256 A[3:0] = 1001; divide by 512 A[3:0] = 1010; divide by 1024 A[3:0] >= 1011; invalid A[7:4] = Set the Oscillator Frequency. Frequency increases with the value of A[7:4]. Range 0000b~1111b.	0 1100b
VSL / Display Enhancement	0 1 1	B4 A[1:0] B[7:3]	1 1 B7	0 0 B6	1 1 B5	1 0 B4	0 0 B3	1 0 1	0 A1 0	0 A0 1	A[1:0] = 00b; Enable external VSL A[1:0] = 10b; Internal VSL B[7:3] = 11111b; Enhanced low GS display quality B[7:3] = 10110b; Normal	10b 10110b
Set GPIO	0 1	B5 A[3:0]	1 *	0 *	1 *	1 *	0 A3	1 A2	0 A1	1 A0	A[1:0] = 00; GPIO0 input disabled A[1:0] = 01; GPIO0 input enabled A[1:0] = 10; GPIO0 output LOW A[1:0] = 11; GPIO0 output HIGH A[3:2] = 00; GPIO1 input disabled A[3:2] = 01; GPIO1 input enabled A[3:2] = 10; GPIO1 output LOW A[3:2] = 11; GPIO1 output HIGH	10b 10b
Set Second Pre-charge Period	0 1	B6 A[3:0]	1 *	0 *	1 *	1 *	0 A3	1 A2	1 A1	0 A0	Sets the second precharge period A[3:0] = DCLKs	1000b
Set Grayscale Table	0 1 1 1 1 1 1 1	B8 A1[7:0] A2[7:0] . . . A14[7:0] A15[7:0]	1 A17 A27 . . . A147 A157	0 A16 A26 . . . A146 A156	1 A15 A25 . . . A145 A155	1 A14 A24 . . . A144 A154	1 A13 A23 . . . A143 A153	0 A12 A22 . . . A142 A152	0 A11 A21 . . . A141 A151	0 A10 A20 . . . A140 A150	Sets the gray scale pulse width in units of DCLK. Range 0-180d. A1[7:0] = Gamma Setting for GS1 A2[7:0] = Gamma Setting for GS2 . . . A14[7:0] = Gamma Setting for GS14 A15[7:0] = Gamma Setting for GS15 Note: 0 < GS1 < GS2 < GS3 ... < GS14 < GS15 The setting must be followed by command 0x00.	

Select Default Linear Gray Scale Table	0 1	B9 A[4:0]	1 *	0 *	1 *	1 A4	1 A3	0 A2	0 A1	1 A0	Sets Linear Grayscale table GSO pulse width = 0 GSO pulse width = 0 GSO pulse width = 8 GSO pulse width = 16 . . . GSO pulse width = 104 GSO pulse width = 112	
Set Pre-charge Voltage	0 1	BB A[4:0]	1 *	0 *	1 *	1 A4	1 A3	0 A2	1 A1	1 A0	Set precharge voltage level. A[4:0] = 0x00; 0.20*VCC . . A[4:0] = 0x3E; 0.60*VCC	0x17
Set VCOMH Voltage	0 1	BE A[3:0]	1 *	0 *	1 *	1 *	1 A3	1 A2	1 A1	0 A0	Sets the VCOMH voltage level A[3:0] = 0x00; 0.72*VCC . . A[3:0] = 0x04; 0.8*VCC . . A[3:0] = 0x07; 0.86*VCC	0x04
Set Contrast Control	0 1	C1 A[7:0]	1 A7	1 A6	0 A5	0 A4	0 A3	0 A2	0 A1	1 A0	Double byte command to select 1 out of 256 contrast steps. Contrast increases as the value increases.	0x7F
Master Contrast Control	0 1	C7 A[3:0]	1 *	1 *	0 *	0 *	0 A3	1 A2	1 A1	1 A0	A[3:0] = 0x00; Reduce output for all colors to 1/16 A[3:0] = 0x01; Reduce output for all colors to 2/16 . . A[3:0] = 0x0E; Reduce output for all colors to 15/16 A[3:0] = 0x0F; no change	0x0f
Set Multiplex Ratio	0 1	CA A[6:0]	1 *	1 A6	0 A5	0 A4	1 A3	0 A2	1 A1	0 A0	Set MUX ratio to N+1 MUX N=A[6:0]; from 16MUX to 128MUX (0 to 14 are invalid)	127d
Set Command Lock	0 1	FD A[2]	1 0	1 0	1 0	1 1	1 0	1 A2	0 1	1 0	A[2] = 0; Unlock OLED to enable commands A[2] = 1; Lock OLED from entering commands	0x12

For detailed instruction information, view full SSD1322 datasheet here (pages 32-47):

http://www.newhavendisplay.com/app_notes/SSD1322.pdf

MPU Interface

6800-MPU Parallel Interface

The parallel interface consists of 8 bi-directional data pins, R/W, D/C, E, and /CS.

A LOW on R/W indicates write operation, and HIGH on R/W indicates read operation.

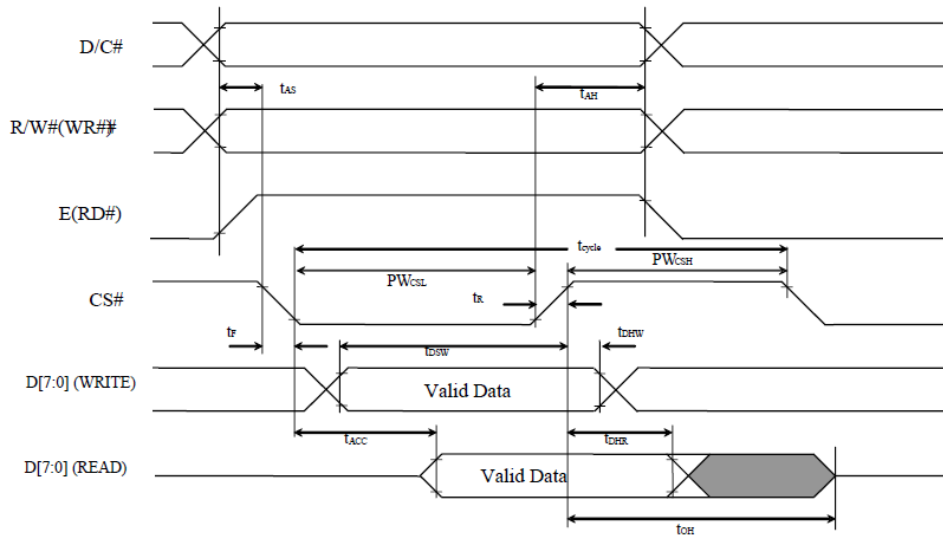
A LOW on D/C indicates "Command" read or write, and HIGH on D/C indicates "Data" read or write.

The E input serves as data latch signal, while /CS is LOW. Data is latched at the falling edge of E signal.

Function	E	R/W	/CS	D/C
Write Command	↓	0	0	0
Read Status	↓	1	0	0
Write Data	↓	0	0	1
Read Data	↓	1	0	1

($V_{DD} - V_{SS} = 2.4$ to $2.6V$, $V_{DDIO} = 1.6V$, $V_{CI} = 3.3V$, $T_A = 25^\circ C$)

Symbol	Parameter	Min	Typ	Max	Unit
t_{cycle}	Clock Cycle Time	300	-	-	ns
t_{AS}	Address Setup Time	10	-	-	ns
t_{AH}	Address Hold Time	0	-	-	ns
t_{DSW}	Write Data Setup Time	40	-	-	ns
t_{DHW}	Write Data Hold Time	7	-	-	ns
t_{DHR}	Read Data Hold Time	20	-	-	ns
t_{OH}	Output Disable Time	-	-	70	ns
t_{ACC}	Access Time	-	-	140	ns
PW_{CSL}	Chip Select Low Pulse Width (read)	120	-	-	ns
	Chip Select Low Pulse Width (write)	60	-	-	ns
PW_{CSH}	Chip Select High Pulse Width (read)	60	-	-	ns
	Chip Select High Pulse Width (write)	60	-	-	ns
t_R	Rise Time	-	-	15	ns
t_F	Fall Time	-	-	15	ns



8080-MPU Parallel Interface

The parallel interface consists of 8 bi-directional data pins, /RD, /WR, D/C, and /CS.

A LOW on D/C indicates “Command” read or write, and HIGH on D/C indicates “Data” read or write.

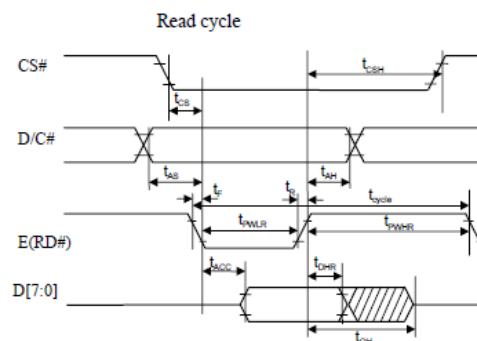
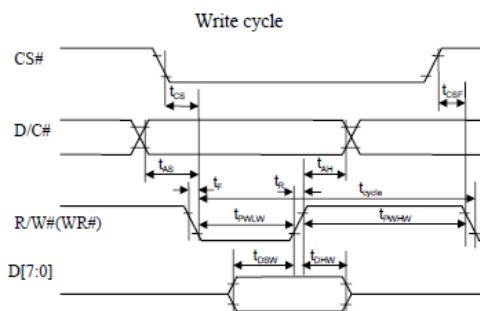
A rising edge of /RS input serves as a data read latch signal while /CS is LOW.

A rising edge of /WR input serves as a data/command write latch signal while /CS is LOW.

Function	/RD	/WR	/CS	D/C
Write Command	1	↑	0	0
Read Status	↑	1	0	0
Write Data	1	↑	0	1
Read Data	↑	1	0	1

($V_{DD} - V_{SS} = 2.4$ to $2.6V$, $V_{DDIO} = 1.6V$, $V_{CI} = 3.3V$, $T_A = 25^\circ C$)

Symbol	Parameter	Min	Typ	Max	Unit
t_{cycle}	Clock Cycle Time	300	-	-	ns
t_{AS}	Address Setup Time	10	-	-	ns
t_{AH}	Address Hold Time	0	-	-	ns
t_{DSW}	Write Data Setup Time	40	-	-	ns
t_{DHW}	Write Data Hold Time	7	-	-	ns
t_{DHR}	Read Data Hold Time	20	-	-	ns
t_{OH}	Output Disable Time	-	-	70	ns
t_{ACC}	Access Time	-	-	140	ns
t_{PWLr}	Read Low Time	150	-	-	ns
t_{PWLw}	Write Low Time	60	-	-	ns
t_{PWHr}	Read High Time	60	-	-	ns
t_{PWHw}	Write High Time	60	-	-	ns
t_r	Rise Time	-	-	15	ns
t_f	Fall Time	-	-	15	ns
t_{CS}	Chip select setup time	0	-	-	ns
t_{CSH}	Chip select hold time to read signal	0	-	-	ns
t_{CSF}	Chip select hold time	20	-	-	ns



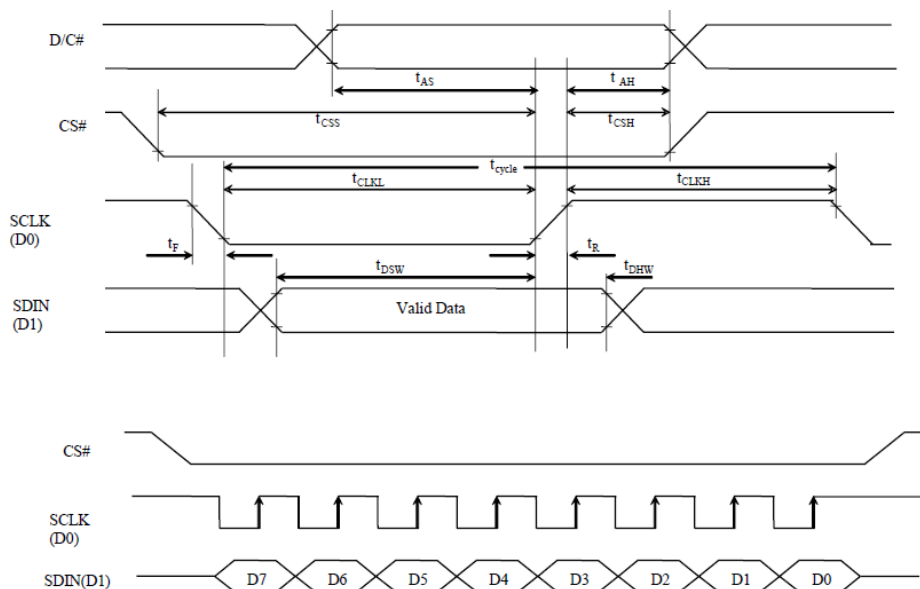
Serial Interface (4-wire)

The 4-wire serial interface consists of Serial Clock (SCLK), Serial Data (SDIN), Data/Command (D/C), and Chip Select (/CS). D0 acts as SCLK and D1 acts as SDIN. D2 must be left as a No Connect D3~D7, E, and R/W should be connected to GND.

Function	/RD	/WR	/CS	D/C	D0
Write Command	Tie LOW	Tie LOW	0	0	↑
Write Data	Tie LOW	Tie LOW	0	1	↑

($V_{DD} - V_{SS} = 2.4$ to $2.6V$, $V_{DDIO} = 1.6V$, $V_{CI} = 3.3V$, $T_A = 25^\circ C$)

Symbol	Parameter	Min	Typ	Max	Unit
t_{cycle}	Clock Cycle Time	100	-	-	ns
t_{AS}	Address Setup Time	15	-	-	ns
t_{AH}	Address Hold Time	15	-	-	ns
t_{CSS}	Chip Select Setup Time	20	-	-	ns
t_{CSH}	Chip Select Hold Time	10	-	-	ns
t_{DSW}	Write Data Setup Time	15	-	-	ns
t_{DHW}	Write Data Hold Time	15	-	-	ns
t_{CLKL}	Clock Low Time	20	-	-	ns
t_{CLKH}	Clock High Time	20	-	-	ns
t_R	Rise Time	-	-	15	ns
t_F	Fall Time	-	-	15	ns



SDIN is shifted into an 8-bit shift register on every rising edge of SCLK in the order of D7, D6,...D0.

D/C is sampled on every eighth clock and the data byte in the shift register is written to the GDDRAM or command register in the same clock.

Note: Read functionality is not available in serial mode.

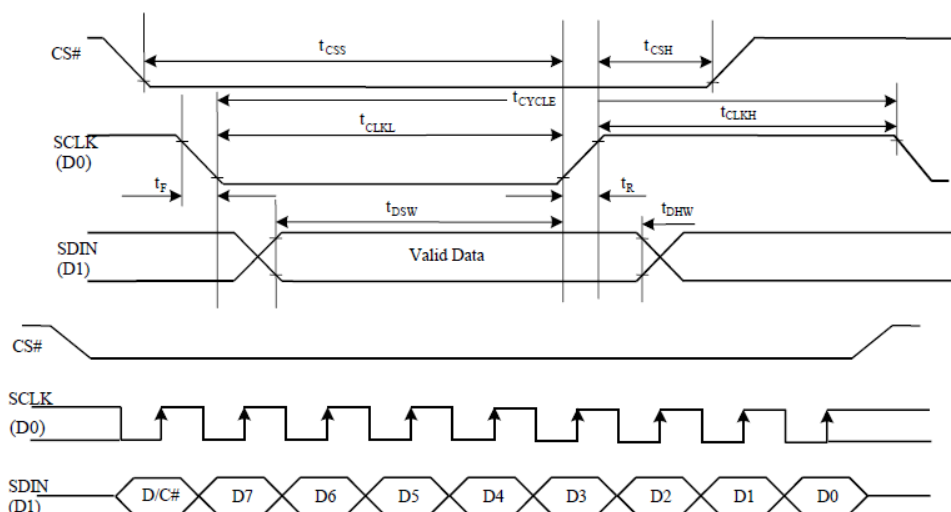
Serial Interface (3-wire)

The 3-wire serial interface consists of Serial Clock (SCLK), Serial Data In (SDIN), and Chip Select (/CS). D0 acts as SCLK and D1 acts as SDIN. D2 must be left as a No Connect. D3~D7, E, R/W, and D/C should be connected to Ground.

Function	/RD	/WR	/CS	D/C	D0
Write Command	Tie LOW	Tie LOW	0	Tie LOW	↑
Write Data	Tie LOW	Tie LOW	0	Tie LOW	↑

($V_{DD} - V_{SS} = 2.4$ to $2.6V$, $V_{DDIO} = 1.6V$, $V_{CI} = 3.3V$, $T_A = 25^{\circ}C$)

Symbol	Parameter	Min	Typ	Max	Unit
t_{cycle}	Clock Cycle Time	100	-	-	ns
t_{css}	Chip Select Setup Time	20	-	-	ns
t_{csh}	Chip Select Hold Time	10	-	-	ns
t_{dsw}	Write Data Setup Time	15	-	-	ns
t_{dhw}	Write Data Hold Time	15	-	-	ns
t_{clkl}	Clock Low Time	20	-	-	ns
t_{clkh}	Clock High Time	20	-	-	ns
t_r	Rise Time	-	-	15	ns
t_f	Fall Time	-	-	15	ns



SDIN is shifted into an 9-bit shift register on every rising edge of SCLK in the order of D/C, D7, D6,...D0. D/C (first bit of the sequential data) will determine if the following data byte is written to the Display Data RAM (D/C = 1) or the command register (D/C = 0).

Note: Read functionality is not available in serial mode.

For detailed timing information for each interface mode, view full SSD1322 datasheet here (pages 50-54):

http://www.newhavendisplay.com/app_notes/SSD1322.pdf

Recommended Initialization

```
void NHD12864WDY3_Init(void){
    digitalWrite(RESET, LOW);           //pull /RES (pin #16) low
    delayUS(200);                       //keep /RES low for minimum 200µs
    digitalWrite(RESET, HIGH);          //pull /RES high
    delayUS(200);                       //wait minimum 200µs before sending commands
    writeCommand(0xAE);                 //display OFF
    writeCommand(0xB3);                 //set CLK div. & OSC freq.
    writeData(0x91);
    writeCommand(0xCA);                 //set MUX ratio
    writeData(0x3F);
    writeCommand(0xA2);                 //set offset
    writeData(0x00);
    writeCommand(0xAB);                 //function selection
    writeData(0x01);
    writeCommand(0xA0);                 //set re-map
    writeData(0x16);
    writeData(0x11);
    writeCommand(0xC7);                 //master contrast current
    writeData(0x0F);
    writeCommand(0xC1);                 //set contrast current
    writeData(0x9F);
    writeCommand(0xB1);                 //set phase length
    writeData(0xF2);
    writeCommand(0xBB);                 //set pre-charge voltage
    writeData(0x1F);
    writeCommand(0xB4);                 //set VSL
    writeData(0xA0);
    writeData(0xFD);
    writeCommand(0xBE);                 //set VCOMH
    writeData(0x04);
    writeCommand(0xA6);                 //set display mode
    writeCommand(0xAF);                 //display ON
}
```

Example Software Routines

```
void setColumn(unsigned char xStart, unsigned char xEnd){
    writeCommand(0x15);    //set column (x-axis) start/end address
    writeData(xStart);     //column start; 28 is left-most column
    writeData(xEnd);      //column end; 91 is right-most column
}

void setRow(unsigned char yStart, unsigned char yEnd){
    writeCommand(0x75);   //set row (y-axis) start/end address
    writeData(yStart);    //row start; 0 is top row
    writeData(yEnd);     //row end; 63 is bottom row
}

void clearDisplay(void){
    unsigned int i;
    setColumn(28,91);    //set column (x-axis) start/end address
    setRow(0,63);       //set row (y-axis) start/end address
    writeRAM();         //single byte command (0x5C) to initiate pixel data write to GDDRAM;
    for(i=0;i<4096;i++){ // ((91-28)+1)*((63-0)+1)
        writeData(0x00);
        writeData(0x00);
    }
}

void write2Pixels(unsigned char xPos, unsigned char yPos, unsigned char pixel1, unsigned char pixel2){
    if(pixel1>=1) pixel1 = 0xFF;    //set 1st pixel value to ON
    else pixel1 = 0x00;            //set 1st pixel value to OFF
    if(pixel2>=1) pixel2 = 0xFF;    //set 2nd pixel value to ON
    else pixel2 = 0x00;            //set 2nd pixel value to OFF
    if(xPos>127) xPos = 127;       //boundary check (MIN xPos = 0, MAX xPos = 127)
    xPos = xPos/2;                //account for GDDRAM address mapping
    xPos+=28;                     //account for GDDRAM address mapping
    if(yPos>63) yPos = 63;        //boundary check (MIN yPos = 0, MAX yPos = 63)
    setColumn(xPos,xPos);         //set column (x-axis) start/end address
    setRow(yPos,yPos);           //set row (y-axis) start/end address
    writeRAM();                  //single byte command (0x5C) to initiate pixel data write to GDDRAM;
    writeData(pixel1);           //write 1st of 2 pixels to the display
    writeData(pixel2);           //write 2nd of 2 pixels to the display
}

void displayArray12864(const unsigned char arr[]){ //display 128x64 monochrome bitmap, horizontal pixel arrangement, 8-pixels per byte
    unsigned int i, j;
    setColumn(28,91);           //set column (x-axis) start/end address
    setRow(0,63);              //set row (y-axis) start/end address
    writeRAM();                //single byte command (0x5C) to initiate pixel data write to GDDRAM;
    for(i=0;i<1024;i++){      //translate each byte/bit into pixel data
        for(j=0;j<8;j++){
            if(((arr[i]<<j)&0x80)==0x80){
                writeData(0xFF);
            }
            else{
                writeData(0x00);
            }
        }
    }
}
```

Quality Information

Test Item	Content of Test	Test Condition	Note
High Temperature storage	Test the endurance of the display at high storage temperature.	+85°C, 240hrs	2
Low Temperature storage	Test the endurance of the display at low storage temperature.	-40°C, 240hrs	1,2
High Temperature Operation	Test the endurance of the display by applying electric stress (voltage & current) at high temperature.	+85°C, 240hrs	2
Low Temperature Operation	Test the endurance of the display by applying electric stress (voltage & current) at low temperature.	-40°C, 240hrs	1,2
High Temperature / Humidity Operation	Test the endurance of the display by applying electric stress (voltage & current) at high temperature with high humidity.	+60°C, 90% RH, 240hrs	1,2
Thermal Shock resistance	Test the endurance of the display by applying electric stress (voltage & current) during a cycle of low and high temperatures.	-40°C, 30min -> +25°C, 5min -> +85°C, 30min = 1 cycle 100 cycles	
Vibration test	Test the endurance of the display by applying vibration to simulate transportation and use.	10-22Hz, 15mm amplitude. 22-500Hz, 1.5G 30min in each of 3 directions X,Y,Z	3
Atmospheric Pressure test	Test the endurance of the display by applying atmospheric pressure to simulate transportation by air.	115mbar, 40hrs	3
Static electricity test	Test the endurance of the display by applying electric static discharge.	VS=800V, RS=1.5kΩ, CS=100pF One time	

Note 1: No condensation to be observed.

Note 2: Conducted after 2 hours of storage at 25°C, 0%RH.

Note 3: Test performed on product itself, not inside a container.

Evaluation Criteria:

- 1: Display is fully functional during operational tests and after all tests, at room temperature.
- 2: No observable defects.
- 3: Luminance >50% of initial value.
- 4: Current consumption within 50% of initial value

Precautions for using OLEDs/LCDs/LCMs

See Precautions at www.newhavendisplay.com/specs/precautions.pdf

Warranty Information

See Terms & Conditions at http://www.newhavendisplay.com/index.php?main_page=terms

Компания «Life Electronics» занимается поставками электронных компонентов импортного и отечественного производства от производителей и со складов крупных дистрибьюторов Европы, Америки и Азии.

С конца 2013 года компания активно расширяет линейку поставок компонентов по направлению коаксиальный кабель, кварцевые генераторы и конденсаторы (керамические, пленочные, электролитические), за счёт заключения дистрибьюторских договоров

Мы предлагаем:

- Конкурентоспособные цены и скидки постоянным клиентам.
- Специальные условия для постоянных клиентов.
- Подбор аналогов.
- Поставку компонентов в любых объемах, удовлетворяющих вашим потребностям.
- Приемлемые сроки поставки, возможна ускоренная поставка.
- Доставку товара в любую точку России и стран СНГ.
- Комплексную поставку.
- Работу по проектам и поставку образцов.
- Формирование склада под заказчика.
- Сертификаты соответствия на поставляемую продукцию (по желанию клиента).
- Тестирование поставляемой продукции.
- Поставку компонентов, требующих военную и космическую приемку.
- Входной контроль качества.
- Наличие сертификата ISO.

В составе нашей компании организован Конструкторский отдел, призванный помогать разработчикам, и инженерам.

Конструкторский отдел помогает осуществить:

- Регистрацию проекта у производителя компонентов.
- Техническую поддержку проекта.
- Защиту от снятия компонента с производства.
- Оценку стоимости проекта по компонентам.
- Изготовление тестовой платы монтаж и пусконаладочные работы.



Тел: +7 (812) 336 43 04 (многоканальный)

Email: org@lifeelectronics.ru