

HEDB-9040 and HEDB-9140

Three Channel Optical Incremental Encoder Modules Bundle With Codewheel



Data Sheet



Description

The HEDB-9040 and HEDB-9140 series are three channel optical incremental encoder modules offered with a codewheel. When used with a codewheel, these low cost modules detect rotary position. Each module consists of a lensed LED source and a detector IC enclosed in a small plastic package. Due to a highly collimated light source and a unique photodetector array, these modules are extremely tolerant to mounting misalignment.

The HEDB-9040 and 9140 has two channel quadrature outputs plus a third channel index output. This index output is a 90 electrical degree high true index pulse which is generated once for each full rotation of the codewheel.

The HEDB-9040 is designed for use with a HEDS-6140 codewheel which has an optical radius of 23.36 mm (0.920 inch). The HEDB-9140 is designed for use with a HEDS-5140 codewheel which has an optical radius of 11.00 mm (0.433 inch).

The quadrature signals and the index pulse are accessed through five 0.025 inch square pins located on 0.1 inch (pitch) centers.

Features

- Two Channel Quadrature Output with Index Pulse
- Resolution from 100 CPR Up To 1024 CPR (Counts Per Revolution)
- Low Cost
- Easy to Mount
- No Signal Adjustment required
- Small Size
- Operating Temperature: -40°C to 100°C
- TTL Compatible
- Single 5V Supply

Applications

The HEDB-9040 and 9140 provide sophisticated motion control detection at a low cost, making them ideal for high volume applications. Typical applications include printers, plotters, tape drives, and industrial and factory automation equipment.

Note: Avago Technologies encoders are not recommended for use in safety critical applications. Eg. ABS braking systems, power steering, life support systems and critical care medical equipment. Please contact sales representative if more clarification is needed.

Theory of Operation

The HEDB-9040 and 9140 is emitter/detector modules. Coupled with a codewheel, these modules translate the rotary motion of a shaft into a three-channel digital output.

As seen in Figure 1, the modules contain a single Light Emitting Diode (LED) as its light source. The light is collimated into a parallel beam by means of a single polycarbonate lens located directly over the LED. Opposite the emitter is the integrated detector circuit. This IC consists of multiple sets of photodetectors and the signal processing circuitry necessary to produce the digital waveforms.

The codewheel rotates between the emitter and detector, causing the light beam to be interrupted by the pattern of spaces and bars on the codewheel.

The photodiodes which detect these interruptions are arranged in a pattern that corresponds to the radius and design of the code-wheel. These detectors are also spaced such that a light period on one pair of detectors corresponds to a dark period on the adjacent pair of detectors.

The photodiode outputs are then fed through the signal processing circuitry resulting in A, Abar, B, Bbar, I and Ibar. Comparators receive these signals and produce the final outputs for channels A and B. Due to this integrated phasing technique, the digital output of channel A is in quadrature with that of channel B (90 degrees out of phase).

Definitions

Note: Refer to Figure 2

Count (N): The number of bar and window pairs or counts per revolution (CPR) of the codewheel.

One Cycle (C): 360 electrical degrees (°e), 1 bar and window pair.

One Shaft Rotation: 360 mechanical degrees, N cycles.

Position Error ($\Delta\theta$): The normalized angular difference between the actual shaft position and the position indicated by the encoder cycle count.

Cycle Error (ΔC): An indication of cycle uniformity. The difference between an observed shaft angle which gives rise to one electrical cycle, and the nominal angular increment of $1/N$ of a revolution.

Pulse Width (P): The number of electrical degrees that an output is high during 1 cycle. This value is nominally $180^\circ e$ or $1/2$ cycle.

Pulse Width Error (ΔP): The deviation, in electrical degrees, of the pulse width from its ideal value of $180^\circ e$.

State Width (S): The number of electrical degrees between a transition in the output of channel A and the neighboring transition in the output of channel B. There are 4 states per cycle, each nominally $90^\circ e$.

Phase (ϕ): The number of electrical degrees between the center of the high state of channel A and the center of the high state of channel B.

This value is nominally $90^\circ e$ for quadrature output.

Phase Error (ϕ): The deviation of the phase from its ideal value of $90^\circ e$.

Direction of Rotation: When the codewheel rotates in the clockwise direction viewing from top of the module (direction from V to G), channel A will lead channel B. If the codewheel rotates in the opposite direction, channel B will lead channel A.

Optical Radius (Rop): The distance from the codewheel's center of rotation to the optical center (O.C) of the encoder module.

Index Pulse Width (Po): The number of electrical degrees that an index is high during one full shaft rotation. This value is nominally $90^\circ e$ or $1/4$ cycle.

Specification

For encoder electrical, mechanical specifications, code-wheel technical specifications and additional informations please refer to :

- HEDS-9040 /9140 datasheet.
- HEDS/HEDG/HEDM – 51xx/61xx Codewheel Datasheet

Block Diagram

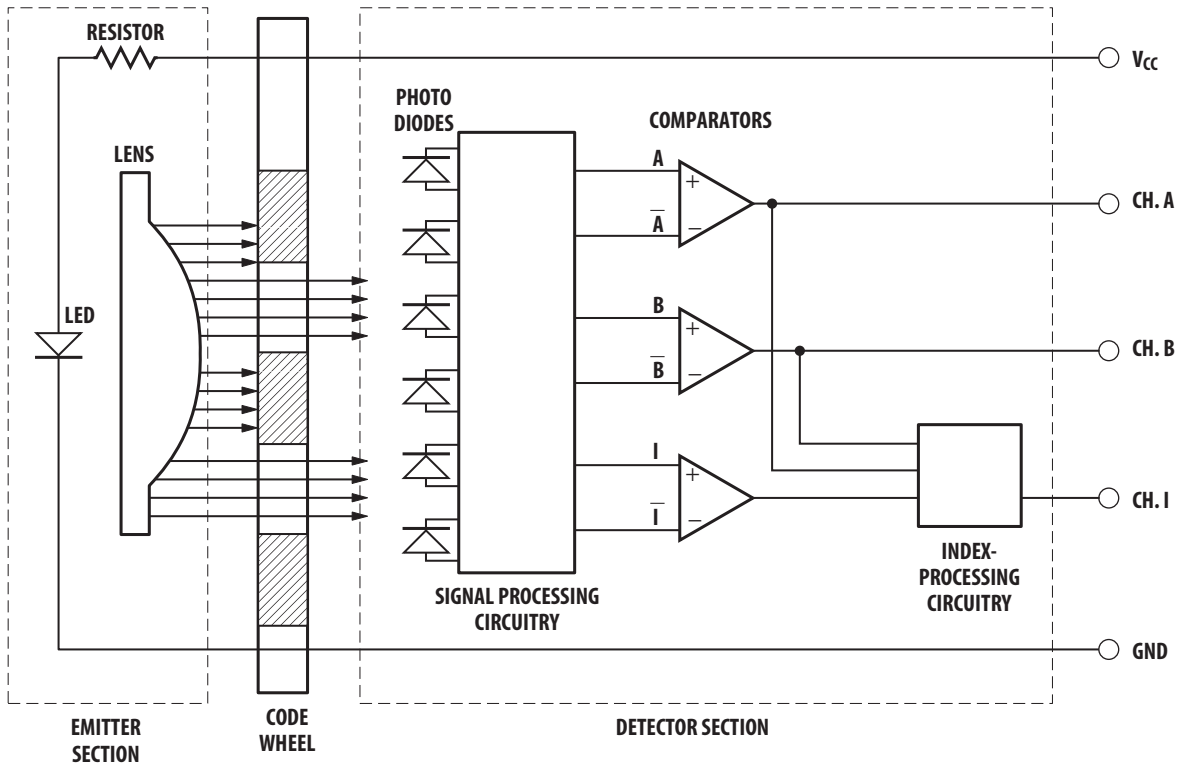


Figure 1. Block Diagram

Output Waveforms

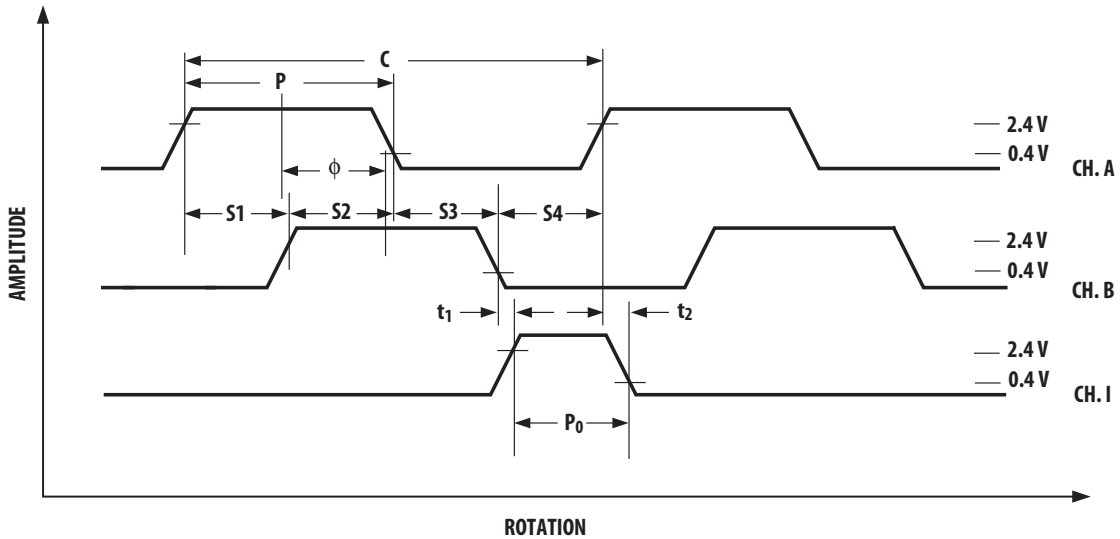
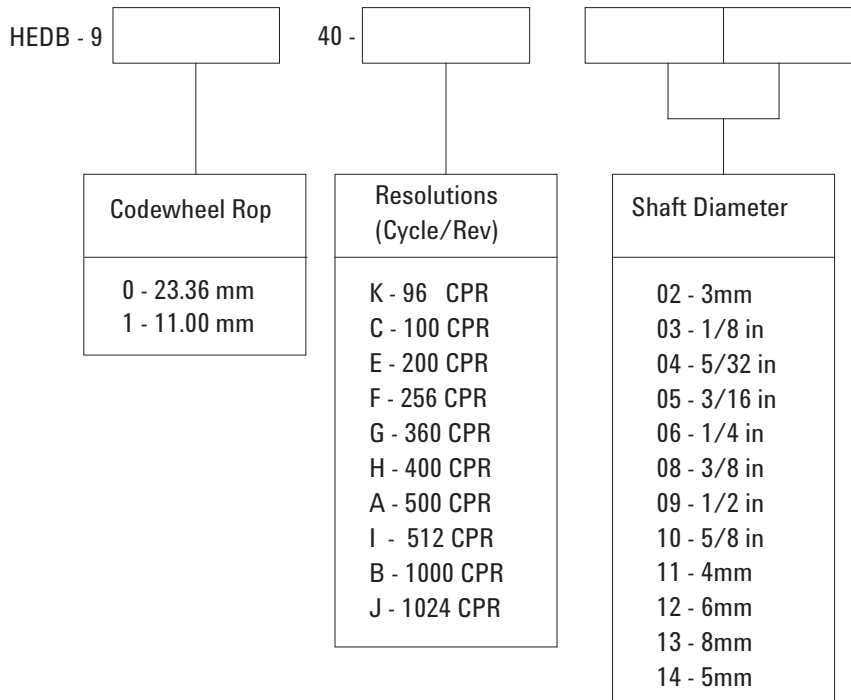


Figure 2. Output waveforms

Ordering Information

Three Channel Encoder Modules with Codewheel, 11 mm and 23.36 Optical Radius

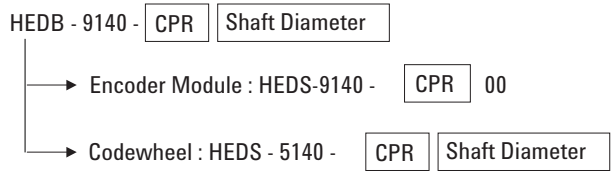
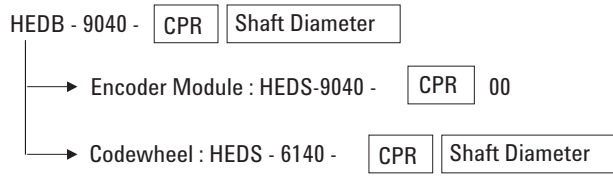


Available Options

Part Number	CPR	Shaft Diameter Options												
		02	03	04	05	06	08	09	10	11	12	13	14	
HEDB-9140	C			•		•					•	•		
	E					•				•	•		•	
	F			•							•		•	
	G					•					•		•	
	H					•							•	
	A	•		•	•	•	•				•	•	•	•
	I	•		•		•	•				•	•	•	•

Part Number	CPR	Shaft Diameter Options											
		02	03	04	05	06	08	09	10	11	12	13	14
HEDB-9040	B					•	•	•	•	•	•	•	
	J					•		•			•	•	

Bundle Part Number Breakdown List



Note : The bundle part HEDB-9040/9140 consists of HEDS-9040/9140 and HEDS-6140/5140. The table below provides the breakdown list.

For product information and a complete list of distributors, please go to our web site: www.avagotech.com

Avago, Avago Technologies, and the A logo are trademarks of Avago Technologies in the United States and other countries. Data subject to change. Copyright © 2005-2012 Avago Technologies. All rights reserved. Obsoletes 5989-4043EN AV02-3607EN - June 12, 2012

AVAGO
TECHNOLOGIES

Компания «Life Electronics» занимается поставками электронных компонентов импортного и отечественного производства от производителей и со складов крупных дистрибьюторов Европы, Америки и Азии.

С конца 2013 года компания активно расширяет линейку поставок компонентов по направлению коаксиальный кабель, кварцевые генераторы и конденсаторы (керамические, пленочные, электролитические), за счёт заключения дистрибьюторских договоров

Мы предлагаем:

- Конкурентоспособные цены и скидки постоянным клиентам.
- Специальные условия для постоянных клиентов.
- Подбор аналогов.
- Поставку компонентов в любых объемах, удовлетворяющих вашим потребностям.
- Приемлемые сроки поставки, возможна ускоренная поставка.
- Доставку товара в любую точку России и стран СНГ.
- Комплексную поставку.
- Работу по проектам и поставку образцов.
- Формирование склада под заказчика.
- Сертификаты соответствия на поставляемую продукцию (по желанию клиента).
- Тестирование поставляемой продукции.
- Поставку компонентов, требующих военную и космическую приемку.
- Входной контроль качества.
- Наличие сертификата ISO.

В составе нашей компании организован Конструкторский отдел, призванный помогать разработчикам, и инженерам.

Конструкторский отдел помогает осуществить:

- Регистрацию проекта у производителя компонентов.
- Техническую поддержку проекта.
- Защиту от снятия компонента с производства.
- Оценку стоимости проекта по компонентам.
- Изготовление тестовой платы монтаж и пусконаладочные работы.



Тел: +7 (812) 336 43 04 (многоканальный)
Email: org@lifeelectronics.ru