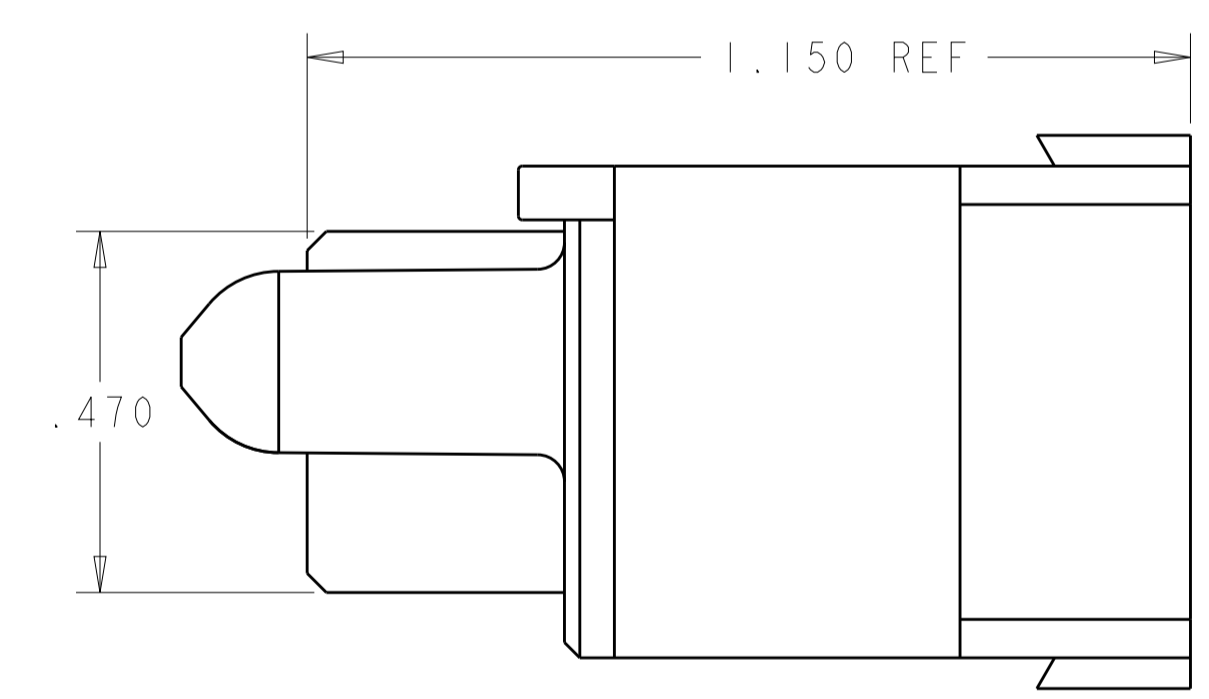
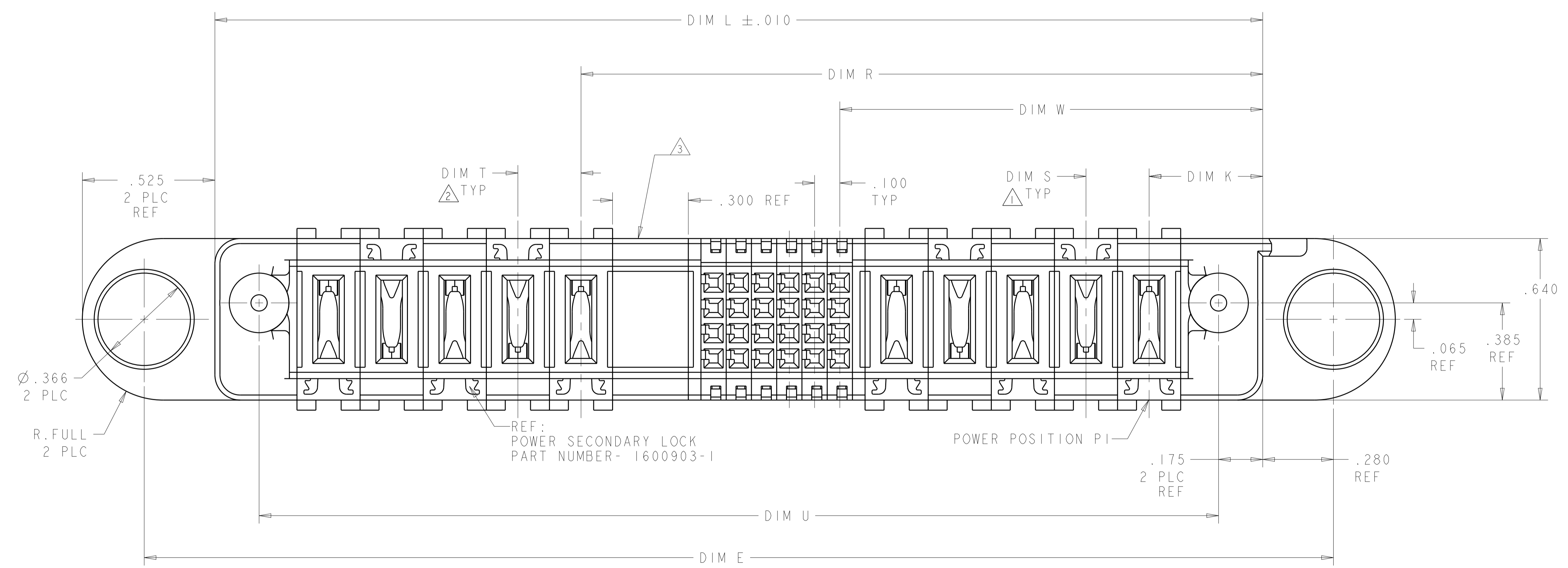
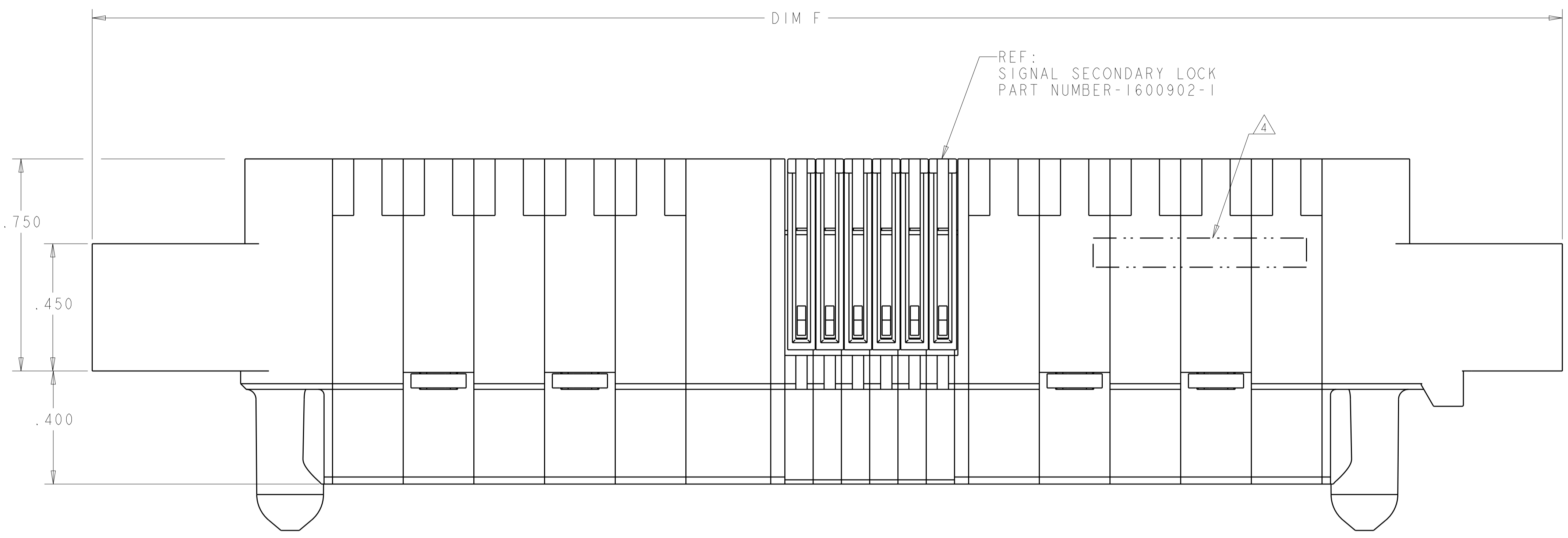
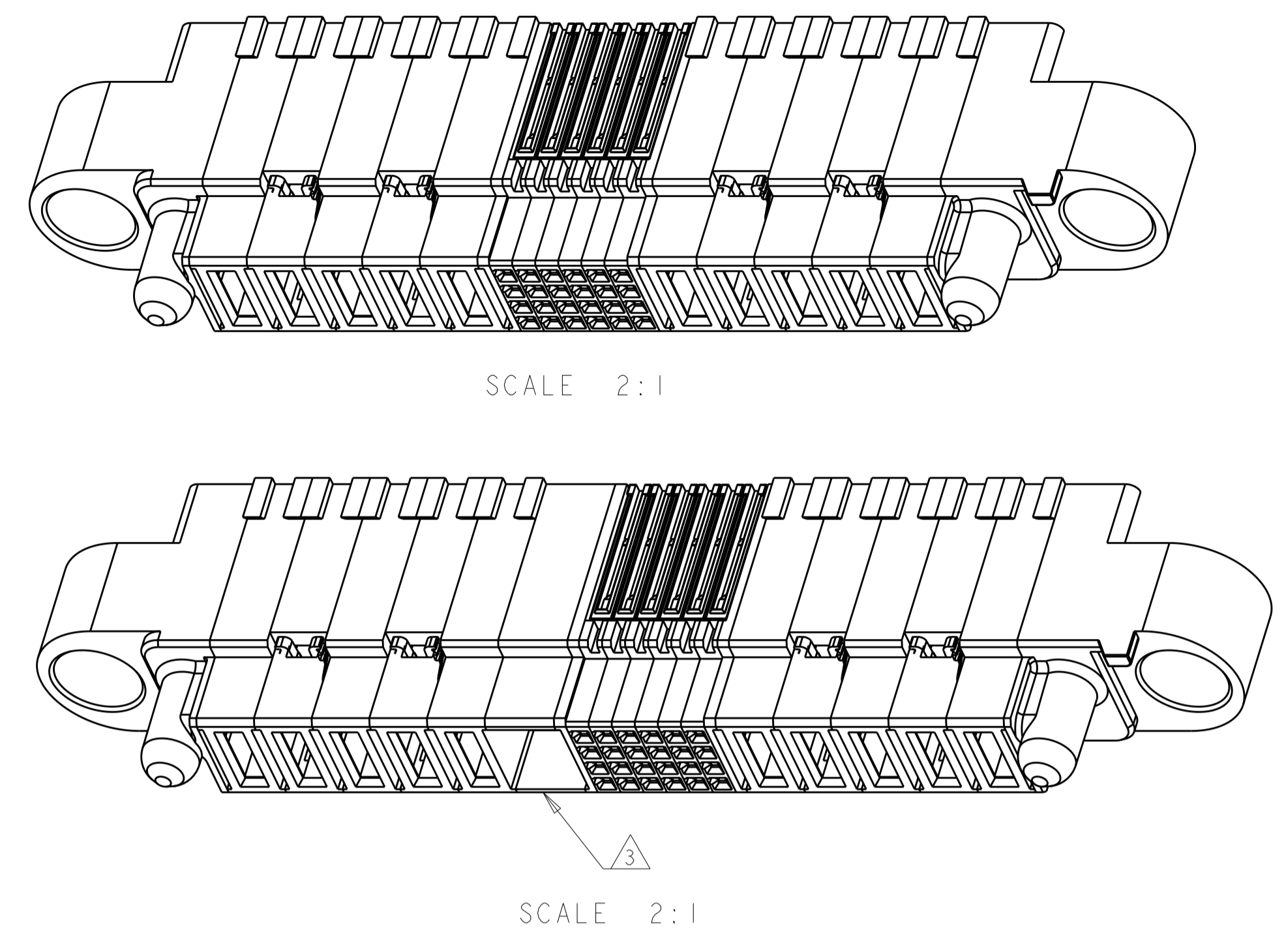
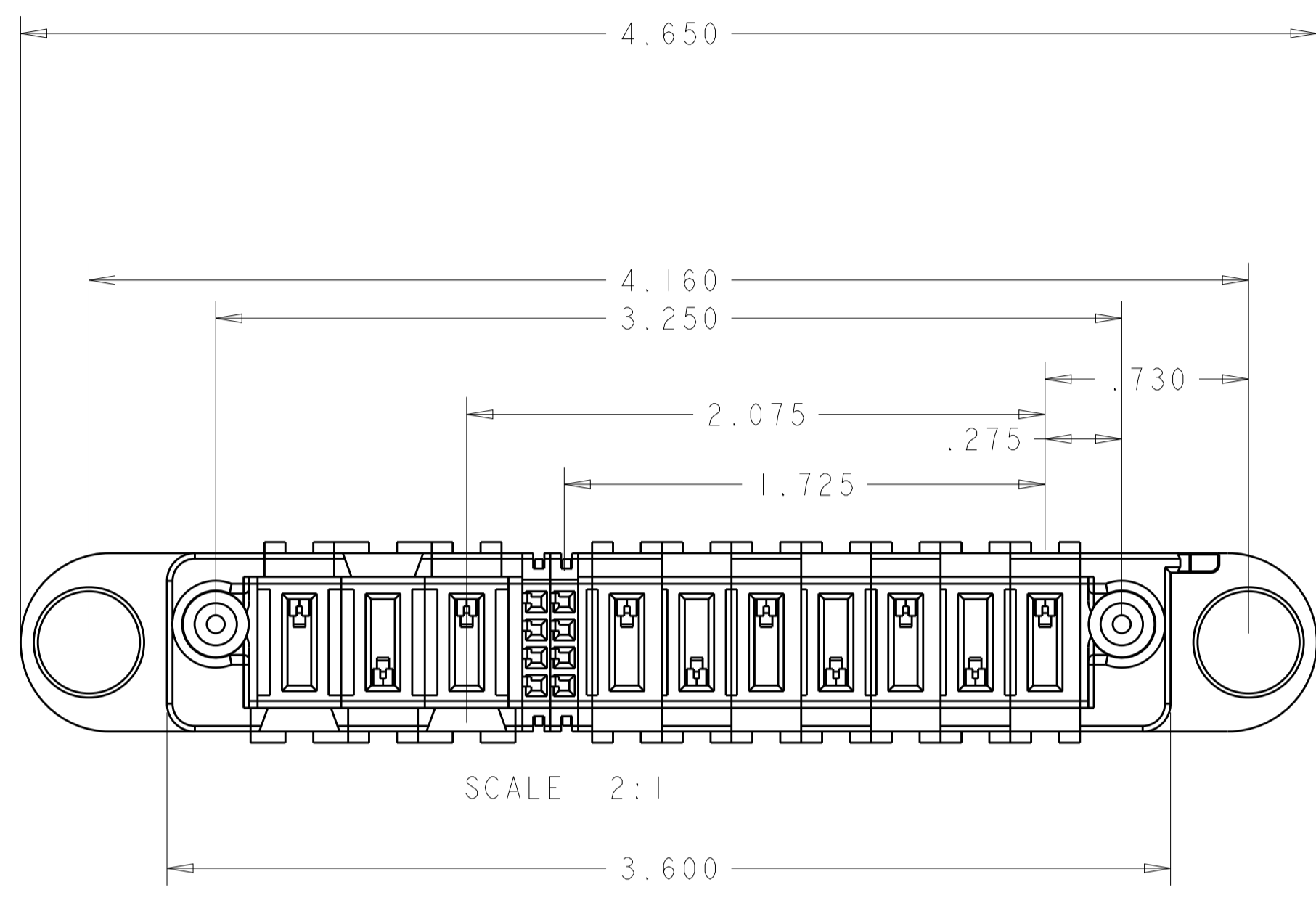


REVISIONS				
P.	LTM	DESCRIPTION	DATE	APVD
M4		ADD NEW DASH NUMBER 3-9	22JAN2016	CZ SZ
M5		REVISED 3-9	28JAN2016	CZ SZ
M6		ADDED NEW DASH NUMBER 4-0	01MAR2016	CZ SZ



THIS DRAWING IS A CONTROLLED DOCUMENT.		DWN D. RINGLER 28JUL2003	TE Connectivity
DIMENSIONS:		CHK M. CORRELL 28JUL2003	
mm	TOLERANCES UNLESS OTHERWISE SPECIFIED:	APVD	NAME
0 PLC ±	1 PLC ±	PRODUCT SPEC	PANEL MOUNT CABLE RECEPTACLE HOUSING WITH GUIDES MULTI-BEAM XL
2 PLC ±	3 PLC ±	108-2157	SIZE
4 PLC ±.005	ANGLES ±.0020	APPLICATION SPEC	A1
MATERIAL	FINISH	114-13112	CAGE CODE
TBD		WEIGHT	C=1600636
		CUSTOMER DRAWING	SCALE 4:1 SHEET 1 OF 5 REV M5

REVISIONS				
P.	LTN	DESCRIPTION	DATE	APVD



- ① DIM S IS CENTERLINE SPACING OF POWER MODULES ON RIGHT SIDE OF HOUSING.
- ② DIM T IS CENTERLINE SPACING OF POWER MODULES ON LEFT SIDE OF HOUSING.
- ③ OPTIONAL CENTER MODULE.
- ④ COMPANY TRADEMARK, PART NUMBER, AND DATE CODE TO BE MARKED IN AREA SHOWN PARTS UNDER 2.00 LONG MAY BE MARKED ON BOTH SIDES.
- ⑤ MATERIAL: THERMO PLASTIC, UL94 V-0.
- ⑥ DATUM LOCATIONS AND BASIC DIMENSIONS TO BE ESTABLISHED BY THE CUSTOMER.
- ⑦ BULKHEAD THICKNESS RANGE: .031 - .100
- ⑧ CONNECTOR MATED TO PANEL FROM OPPOSITE SIDE.
- ⑨ NO BURRS ALLOWED ON OPPOSITE (MATING) SIDE.
- ⑩ CONNECTOR KEEP OUT ZONE.
- ⑪ MOUNT CONNECTOR WITH TYCO HARDWARE KIT (SEE TABLE) FOR .050 [1.27mm] MIN RADIAL FLOAT.
- ⑫ VARIABLE DIMENSIONS SHOWN ON VIEW (SHEET 3).
- ⑬ NOT RELEASE FOR PRODUCTION
- 14. HARDWARE KIT P/N SOLD SEPARATELY

OBSOLETE

1600914-1	NO	2.375	4.300	.300	.250	3.575	4.650	.450	5.700	5.210	8P + 44S + 3ACP	4-1600636-0
1600914-1	NO	.625	1.200	-	-	1.000	1.450	.450	2.500	2.010	1P + 12S + 1P	3-1600636-9
1600914-1	NO	1.425	2.500	.250	.250	2.150	2.850	.450	3.900	3.410	4P + 24S + 2P	3-1600636-8
1600914-1	NO	.675	1.700	-	-	1.600	2.050	.450	3.100	2.610	1P + 32S + 1P	3-1600636-7
1600914-1	NO	.875	1.700	.250	.250	1.350	2.050	.450	3.100	2.610	2P + 16S + 2P	3-1600636-6
1600914-1	NO	.675	1.100	-	-	1.000	1.450	.450	2.500	2.010	1P + 8S + 1P	3-1600636-5
1600914-1	NO	1.325	3.000	.250	.300	1.650	3.350	.475	4.400	3.910	3ACP + 8S + 6P	3-1600636-4
1600000-1	NO	1.325	3.000	.300	.300	2.275	3.350	.475	4.400	3.910	3ACP + 32S + 3ACP	3-1600636-3
1600914-1	NO	1.725	3.250	.300	.250	2.075	3.600	.450	4.650	4.160	7P + 8S + 3ACP	2-1600636-9
1600914-1	NO	1.025	1.800	.300	.300	1.375	2.150	.475	3.200	2.710	2ACP + 8S + 2ACP	2-1600636-8
1600914-1	NO	1.325	3.250	.250	.300	1.650	3.600	.475	4.650	4.160	3ACP + 8S + 7P	2-1600636-7
1600000-1	NO	1.325	3.000	.300	.300	2.275	3.350	.475	4.400	3.910	3ACP + 32S + 3ACP	2-1600636-6
1600000-1	NO	1.025	2.200	.300	.300	1.775	2.550	.475	3.600	3.110	2ACP + 24S + 2ACP	2-1600636-5
⑬ 1600914-1	NO	1.175	2.300	.250	.250	1.700	2.650	.450	3.700	3.210	3P + 16S + 3P	2-1600636-4
⑬ 1600914-3	NO	2.225	4.800	.250	.300	2.950	5.150	.475	6.200	5.710	6ACP + 24S + 8P	2-1600636-3
⑬ 1600914-1	NO	1.425	3.200	.250	.250	2.350	3.550	.450	4.600	4.110	4P + 32S + 4P	2-1600636-2
1600914-1	NO	1.925	3.400	.300	.250	2.675	3.750	.450	4.800	4.310	6P + 24S + 3ACP	2-1600636-1
1600914-1	NO	.725	2.500	-	-	2.375	2.850	.475	3.900	3.410	1P + 60S + 1P	2-1600636-0
1600914-1	NO	1.875	3.450	⑫	⑫	2.775	3.800	.425	4.850	4.380	6P + 32S + 3 ACP	1-1600636-8
1600914-1	NO	1.925	2.600	.250	.250	2.250	2.950	.450	4.000	3.510	6P + 8S + 2P	1-1600636-7
1600914-3	NO	2.175	5.100	.250	.250	3.500	5.450	.450	6.500	6.010	7P + 48S + 7P	1-1600636-6
1600914-1	NO	1.425	3.000	.250	.250	2.150	3.350	.450	4.400	3.910	4P + 24S + 4P	1-1600636-5
1600914-1	NO	1.325	2.800	.300	.300	2.075	3.150	.475	4.200	3.710	3ACP + 24S + 3ACP	1-1600636-4
1600914-1	NO	.675	1.300	-	-	1.200	1.650	.450	2.700	2.210	1P + 16S + 1P	1-1600636-3
1600914-1	NO	1.425	3.000	.250	.250	2.150	3.350	.450	4.400	3.910	4P + 24S + 4P	1-1600636-2
1600914-1	NO	.700	1.575	-	-	1.425	1.925	.475	2.975	2.485	1P + 24S + 1P	1-1600636-1
1600914-1	NO	.925	1.800	.250	.250	1.450	2.150	.450	3.200	2.710	2P + 16S + 2P	1-1600636-0
1600914-1	NO	.700	1.575	-	-	1.425	1.925	.475	2.975	2.485	1P + 24S + 1P	1600636-9
1600914-1	NO	1.175	2.300	.250	.250	1.700	2.650	.450	3.700	3.210	3P + 16S + 3P	1600636-8
1600914-1	NO	1.425	2.500	.250	.250	2.150	2.850	.450	3.900	3.410	4P + 24S + 2P	1600636-7
1600914-3	NO	1.625	5.200	.250	.300	2.350	5.550	.475	6.600	6.110	4ACP + 24S + 12P	1600636-6
	NO	1.425	3.000	.250	.250	2.150	3.350	.450	4.400	3.910	4P + 24S + 4P	1600636-5
1600914-1	NO	.925	2.500	.250	.250	2.150	2.850	.450	3.900	3.410	2P + 44S + 2P	1600636-4
1600914-1	NO	.750	1.675	-	-	1.525	2.025	.475	3.075	2.585	1P + 24S + 1P	1600636-3
1600914-1	NO	.925	2.000	.250	.250	1.650	2.350	.450	3.400	2.910	2P + 24S + 2P	1600636-2
1600914-3	NO	1.925	4.000	.300	.300	2.675	4.350	.475	5.400	4.910	5ACP + 24S + 5ACP	1600636-1
KIT P/N	⑬ CENTER MODULE	DIM W	DIM U	DIM T	DIM S	DIM R	DIM L	DIM K	DIM F	DIM E	DESCRIPTION	PART NUMBER

THIS DRAWING IS A CONTROLLED DOCUMENT. DWN: D. RINGLER 28JUL2003
 CHN: M. CORRELL 28JUL2003

DIMENSIONS: mm
 TOLERANCES UNLESS OTHERWISE SPECIFIED:
 0 PLC ±.
 1 PLC ±.
 2 PLC ±.
 3 PLC ±.005
 4 PLC ±.002
 ANGLES ±.

MATERIAL: TBD/⑥
 FINISH: -

PRODUCT SPEC: 108-2157
 APPLICATION SPEC: 114-13112

WEIGHT: -
 CUSTOMER DRAWING

NAME: PANEL MOUNT CABLE RECEPTACLE HOUSING WITH GUIDES MULTI-BEAM XL
 SIZE: A1
 CAGE CODE: 1600636
 SCALE: 4:1 SHEET 5 OF 5 REV M5

STE TE Connectivity

REVISIONS			
P.	LTN.	DESCRIPTION	DATE

PART NUMBER	ROWS	POWER (L)					SIGNAL					POWER (R)										
		P10	P9	P8	P7	P6	6	5	4	3	2	1	P5	P4	P3	P2	P1					
1600636-1	D C B A	RM	RM	RM	RM	RM	E	E	E	E	E	E	E	E	E	E	E	RA	RA	RA	RA	RA
5ACP + 24S + 5ACP																						

PART NUMBER	ROWS	POWER (L)			SIGNAL				POWER (R)					
		P6	P5	P4	4	3	2	1	P3	P2	P1			
1600636-8	D C B A	RA	RA	RA	E	E	E	E	E	E	E	RM	RM	RM
3P + 16S + 3P														

PART NUMBER	ROWS	POWER (L)		SIGNAL						POWER (R)			
		P4	P3	6	5	4	3	2	1	P2	P1		
1600636-2	D C B A	RM	RM	E	E	E	E	E	E	E	E	RA	RA
2P + 24S + 2P													

PART NUMBER	ROWS	POWER (L)	SIGNAL						POWER (R)			
		P2	6	5	4	3	2	1	P1			
1600636-9	D C B A	RA	E	E	E	E	E	E	E	E	RM	RM
1P + 24S + 1P												

PART NUMBER	ROWS	POWER (L)	SIGNAL						POWER (R)			
		P2	6	5	4	3	2	1	P1			
1600636-3	D C B A	RA	E	E	E	E	E	E	E	E	RA	RA
1P + 24S + 1P												

PART NUMBER	ROWS	POWER (L)		SIGNAL				POWER (R)			
		P4	P3	4	3	2	1	P2	P1		
1-1600636-0	D C B A	RA	RA	E	E	E	E	E	E	RM	RM
2P + 16S + 2P											

PART NUMBER	ROWS	POWER (L)		SIGNAL										POWER (R)				
		P4	P3	11	10	9	8	7	6	5	4	3	2	1	P2	P1		
1600636-4	D C B A	RM	RA	E	E	E	E	E	E	E	E	E	E	E	E	E	RA	RM
2P + 44S + 2P																		

PART NUMBER	ROWS	POWER (L)	SIGNAL						POWER (R)			
		P2	6	5	4	3	2	1	P1			
1-1600636-1	D C B A	RM	E	E	E	E	E	E	E	E	RA	RA
1P + 24S + 1P												

PART NUMBER	ROWS	POWER (L)				SIGNAL						POWER (R)							
		P8	P7	P6	P5	6	5	4	3	2	1	P4	P3	P2	P1				
1600636-5	D C B A	RM	RA	RM	RA	E	E	E	E	E	E	E	E	E	E	RM	RA	RM	RA
4P + 24S + 4P																			

PART NUMBER	ROWS	POWER (L)				SIGNAL						POWER (R)							
		P8	P7	P6	P5	6	5	4	3	2	1	P4	P3	P2	P1				
1-1600636-2	D C B A	RM	RA	RM	RA	E	E	E	E	E	E	E	E	E	E	RM	RA	RM	RA
4P + 24S + 4P																			

PART NUMBER	ROWS	POWER (L)										SIGNAL						POWER (R)									
		P16	P15	P14	P13	P12	P11	P10	P9	P8	P7	P6	P5	6	5	4	3	2	1	P4	P3	P2	P1				
1600636-6	D C B A	RA	RM	RA	RM	RA	RM	RA	RM	RA	RM	RA	RM	E	E	E	E	E	E	E	E	E	E	RA	RM	RA	RM
4ACP + 24S + 12P																											

PART NUMBER	ROWS	P(L)	SIGNAL				P(R)			
		P2	4	3	2	1	P1			
1-1600636-3	D C B A	RA	E	E	E	E	E	E	RM	RM
1P + 16S + 1P										

PART NUMBER	ROWS	POWER (L)		SIGNAL						POWER (R)					
		P6	P5	6	5	4	3	2	1	P4	P3	P2	P1		
1600636-7	D C B A	RA	RM	E	E	E	E	E	E	E	E	RM	RA	RM	RA
4P + 24S + 2P															

PART NUMBER	ROWS	POWER (L)			SIGNAL						POWER (R)					
		P6	P5	P4	6	5	4	3	2	1	P3	P2	P1			
1-1600636-4	D C B A	RM	RM	RM	E	E	E	E	E	E	E	E	E	RA	RA	RA
3ACP + 24S + 3ACP																

OBSOLETE

RM	STANDARD POWER CONTACT
RA	MFBL POWER CONTACT
E	SIGNAL CONTACT
CODE	DESCRIPTION
CONTACT TABLE	

THIS DRAWING IS A CONTROLLED DOCUMENT.

DIMENSIONS: mm
 TOLERANCES UNLESS OTHERWISE SPECIFIED:
 0 PLC ± .1
 1 PLC ± .1
 2 PLC ± .1
 3 PLC ± .005
 4 PLC ± .002
 ANGLES ± .1

MATERIAL: TBD
 FINISH: -

DWN: D. RINGLER 28JUL2003
 CHK: M. CORRELL 28JUL2003
 APVD: -

PRODUCT SPEC: 108-2157
 APPLICATION SPEC: 114-13112
 WEIGHT: -
 CUSTOMER DRAWING

STE TE Connectivity
 NAME: PANEL MOUNT CABLE RECEPTACLE HOUSING WITH GUIDES MULTI-BEAM XL
 SIZE: A1
 CAGE CODE: -
 DRAWING NO: 1600636
 SCALE: 4:1 SHEET 1 OF 5 REV M5

REVISIONS				
REV	DATE	BY	APPV	DESCRIPTION

PART NUMBER	ROWS	POWER				SIGNAL						POWER					
		P8	P7	P6	P5	6	5	4	3	2	1	P4	P3	P2	P1		
1-1600636-5	D C B A	RA	RA	RM	RA	E	E	E	E	E	E	E	E	RM	RA	RA	RA
		RA	RA	RM	RA	E	E	E	E	E	E	E	E	RM	RA	RA	RA
		RA	RA	RM	RA	E	E	E	E	E	E	E	E	RM	RA	RA	RA
		RA	RA	RM	RA	E	E	E	E	E	E	E	E	RM	RA	RA	RA
4P + 24S + 4P																	

PART NUMBER	ROWS	POWER			SIGNAL						POWER						
		P9	P8	P7	6	5	4	3	2	1	P6	P5	P4	P3	P2	P1	
2-1600636-1	D C B A	RA	RA	RA	E	E	E	E	E	E	E	E	RM	RM	RM	RM	RM
		RA	RA	RA	E	E	E	E	E	E	E	E	RM	RM	RM	RM	RM
		RA	RA	RA	E	E	E	E	E	E	E	E	RM	RM	RM	RM	RM
		RA	RA	RA	E	E	E	E	E	E	E	E	RM	RM	RM	RM	RM
6P + 24S + 3ACP																	

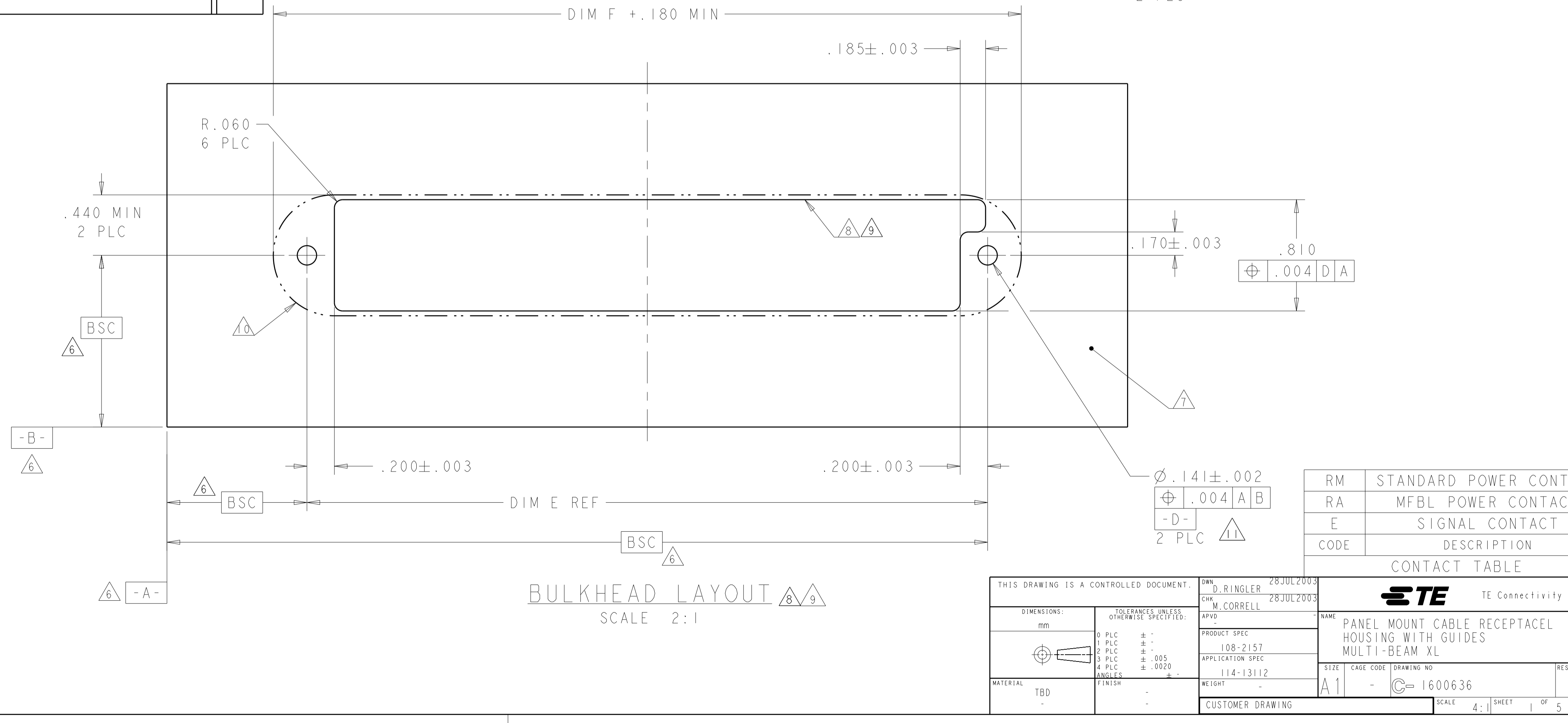
PART NUMBER	ROWS	POWER								SIGNAL								POWER																
		P14	P13	P12	P11	P10	P9	P8	12	11	10	9	8	7	6	5	4	3	2	1	P7	P6	P5	P4	P3	P2	P1							
1-1600636-6	D C B A	RM	RM	RM	RM	RM	RM	RM	RM	E	E	E	E	E	E	E	E	E	E	E	E	E	E	E	E	E	E	RA	RA	RA	RA	RA	RA	RA
		RM	RM	RM	RM	RM	RM	RM	RM	E	E	E	E	E	E	E	E	E	E	E	E	E	E	E	E	E	E	RA	RA	RA	RA	RA	RA	RA
		RM	RM	RM	RM	RM	RM	RM	RM	E	E	E	E	E	E	E	E	E	E	E	E	E	E	E	E	E	E	RA	RA	RA	RA	RA	RA	RA
		RM	RM	RM	RM	RM	RM	RM	RM	E	E	E	E	E	E	E	E	E	E	E	E	E	E	E	E	E	E	RA	RA	RA	RA	RA	RA	RA
7P + 48S + 7P																																		

PART NUMBER	ROWS	POWER		SIGNAL											POWER																				
		P2	P1	15	14	13	12	11	10	9	8	7	6	5	4	3	2	1	P1																
2-1600636-0	D C B A	RM	RM	E	E	E	E	E	E	E	E	E	E	E	E	E	E	E	E	E	E	E	E	E	E	E	E	E	E	E	E	E	E	RM	
		RM	RM	E	E	E	E	E	E	E	E	E	E	E	E	E	E	E	E	E	E	E	E	E	E	E	E	E	E	E	E	E	E	RM	
		RM	RM	E	E	E	E	E	E	E	E	E	E	E	E	E	E	E	E	E	E	E	E	E	E	E	E	E	E	E	E	E	E	E	RM
		RM	RM	E	E	E	E	E	E	E	E	E	E	E	E	E	E	E	E	E	E	E	E	E	E	E	E	E	E	E	E	E	E	E	RM
1P + 60S + 1P																																			

PART NUMBER	ROWS	POWER		SIGNAL		POWER						
		P8	P7	2	1	P6	P5	P4	P3	P2	P1	
1-1600636-7	D C B A	RM	RM	E	E	RM	RM	RM	RM	RM	RM	RM
		RM	RM	E	E	RM	RM	RM	RM	RM	RM	RM
		RM	RM	E	E	RM	RM	RM	RM	RM	RM	RM
		RM	RM	E	E	RM	RM	RM	RM	RM	RM	RM
6P + 8S + 2P												

PART NUMBER	ROWS	POWER			SIGNAL							POWER							
		P9	P8	P7	8	7	6	5	4	3	2	1	P6	P5	P4	P3	P2	P1	
1-1600636-8	D C B A	RM	RM	RA	E	E	E	E	E	E	E	E	E	RM	RM	RM	RM	RM	RM
		RM	RM	RA	E	E	E	E	E	E	E	E	E	RM	RM	RM	RM	RM	RM
		RM	RM	RA	E	E	E	E	E	E	E	E	E	RM	RM	RM	RM	RM	RM
		RM	RM	RA	E	E	E	E	E	E	E	E	E	RM	RM	RM	RM	RM	RM
6P + 32S + 3ACP																			

PART NUMBER	ROWS	POWER				SIGNAL							POWER				
		P8	P7	P6	P5	8	7	6	5	4	3	2	1	P4	P3	P2	P1
2-1600636-2	D C B A	RA	RA	RM	RA	E	E	E	E	E	E	E	E	RM	RA	RA	RA
		RA	RA	RM	RA	E	E	E	E	E	E	E	E	RM	RA	RA	RA
		RA	RA	RM	RA	E	E	E	E	E	E	E	E	RM	RA	RA	RA
		RA	RA	RM	RA	E	E	E	E	E	E	E	E	RM	RA	RA	RA
4P + 32S + 4P																	



REFERENCE POWER WIRE CHART - RM & RA CONTACTS		
HOUSING MODULE	CONTACT	INSULATION DIAMETER RANGE
.300	8-10 1600960 REF	[.176-.272]
.250	8-10 1600960 REF	[.176-.203]
	12-14 1600961 REF	[.156-.176]
.200	12-14 1600961 REF	[.120-.156]
.100	22-26 531216-5 REF	[.036-.069]

CODE	DESCRIPTION
RM	STANDARD POWER CONTACT
RA	MFBL POWER CONTACT
E	SIGNAL CONTACT
CONTACT TABLE	

DIMENSIONS:		TOLERANCES UNLESS OTHERWISE SPECIFIED:	
mm	mm	0 PLC	± .005
		1 PLC	± .005
		2 PLC	± .005
		3 PLC	± .005
		4 PLC	± .005
		5 PLC	± .005
		ANGLES	± .0020
		FINISH	-

THIS DRAWING IS A CONTROLLED DOCUMENT. DWG: D. RINGLER 28JUL2003
 CHK: M. CORRELL 28JUL2003
 APVD: -
 PRODUCT SPEC: -
 APPLICATION SPEC: 108-2157
 DRAWING NO: 114-13112
 WEIGHT: -
 MATERIAL: TBD
 FINISH: -

CUSTOMER DRAWING: 1600636
 SCALE: 4:1
 SHEET: 1 OF 5
 REV: M5

PART NUMBER	ROWS	POWER								SIGNAL								POWER							
		P14	P13	P12	P11	P10	P9	P8	P7	6	5	4	3	2	1	P6	P5	P4	P3	P2	P1				
2-1600636-3	D C B A	RM	RA							E	E	E	E	E	E	RA		RM	RM	RM	RM				
6ACP + 24S + 8P																									

PART NUMBER	ROWS	POWER (L)		SIGNAL		POWER (R)	
		P4	P3	2	1	P2	P1
2-1600636-8	D C B A	RA	RA	E	E	RA	RA
2ACP + 8S + 2ACP							

NO CONTACTS LOADED

PART NUMBER	ROWS	POWER (L)			SIGNAL				POWER (R)		
		P6	P5	P4	4	3	2	1	P3	P2	P1
2-1600636-4	D C B A	RM	RM	RM	E	E	E	E	RM	RM	RM
3P + 16S + 3P											

PART NUMBER	ROWS	POWER			SIGNAL		POWER							
		P10	P9	P8	2	1	P7	P6	P5	P4	P3	P2	P1	
2-1600636-9	D C B A	RM	RM	RM	E	E	RM	RM	RM	RM	RM	RM	RM	
7P + 8S + 3ACP														

PART NUMBER	ROWS	POWER						SIGNAL		POWER		
		P9	P8	P7	P6	P5	P4	2	1	P3	P2	P1
3-1600636-4	D C B A	RM	RM	RM	RM	RM	RM	E	E	RM	RM	RM
3ACP + 8S + 6P												

PART NUMBER	ROWS	POWER (L)		SIGNAL						POWER (R)	
		P4	P3	6	5	4	3	2	1	P2	P1
2-1600636-5	D C B A	RA	RA	E	E	E	E	E	E	RA	RA
2ACP + 24S + 2ACP											

PART NUMBER	ROWS	POWER			SIGNAL								POWER		
		P6	P5	P4	8	7	6	5	4	3	2	1	P3	P2	P1
3-1600636-3	D C B A	RM	RM	RM	E	E	E	E	E	E	E	E	RA	RM	RM
3ACP + 32S + 3ACP															

PART NUMBER	ROWS	P(L)	SIGNAL		P(R)	
		P2	2	1	P1	P1
3-1600636-5	D C B A	RM	E	E	RM	RM
1P + 8S + 1P						

PART NUMBER	ROWS	POWER			SIGNAL								POWER		
		P6	P5	P4	8	7	6	5	4	3	2	1	P3	P2	P1
2-1600636-6	D C B A	RA	RA	RA	E	E	E	E	E	E	E	E	RM	RM	RM
3ACP + 32S + 3ACP															


PART NUMBER	ROWS	POWER (L)		SIGNAL				POWER (R)	
		P4	P3	4	3	2	1	P2	P1
3-1600636-6	D C B A	RM	RA	E	E	E	E	RA	RM
2P + 16S + 2P									

PART NUMBER	ROWS	POWER						SIGNAL		POWER		
		P10	P9	P8	P7	P6	P5	P4	2	1	P3	P2
2-1600636-7	D C B A	RM	RM	RM	RM	RM	RM	E	E	RM	RM	RM
3ACP + 8S + 7P												

PART NUMBER	ROWS	POWER		SIGNAL								POWER	
		P2	P1	8	7	6	5	4	3	2	1	P1	P1
3-1600636-7	D C B A	RM		E	E	E	E	E	E	E	E	RM	
1P + 32S + 1P													

PART NUMBER	ROWS	POWER (L)		SIGNAL						POWER (R)			
		P6	P5	6	5	4	3	2	1	P4	P3	P2	P1
3-1600636-8	D C B A	RM	RM	E	E	E	E	E	E	RM	RM	RM	RA
4P + 24S + 2P													

PART NUMBER	ROWS	POWER		SIGNAL			POWER	
		P2	P1	3	2	1	P1	P1
3-1600636-9	D C B A	RM		E	E	E	RM	
1P + 12S + 1P								

THIS DRAWING IS A CONTROLLED DOCUMENT.		DWN: D. RINGLER 28JUL2003 CHG: M. CORRELL 28JUL2003	 TE Connectivity
DIMENSIONS: mm TOLERANCES UNLESS OTHERWISE SPECIFIED: 0 PLC ± . 1 PLC ± . 2 PLC ± . 3 PLC ± .005 4 PLC ± . ANGLES ± .		APVD: - PRODUCT SPEC: - APPLICATION SPEC: 108-2157 SIZE: 114-13112 WEIGHT: - CUSTOMER DRAWING: -	

THIS DRAWING IS UNPUBLISHED. RELEASED FOR PUBLICATION 20
COPYRIGHT 20 BY - ALL RIGHTS RESERVED.

REVISIONS				
P	LTN	DESCRIPTION	DATE	APPD
-		SEE SHEET 1	-	-

PART NUMBER	ROWS	POWER			SIGNAL										POWER																												
		P11	P10	P9	11	10	9	8	7	6	5	4	3	2	1	P8	P7	P6	P5	P4	P3	P2	P1																				
4-1600636-0	D	○	RM	RM	RA	E	E	E	E	E	E	E	E	E	E	E	E	E	E	E	E	E	E	E	RA	RA	RA	RM	RM	RM	RM	RA	○										
	C					E	E	E	E	E	E	E	E	E	E	E	E	E	E	E	E	E	E	E										E	E	E	E	E	E	E	E	E	
	B					E	E	E	E	E	E	E	E	E	E	E	E	E	E	E	E	E	E	E										E	E	E	E	E	E	E	E	E	E
	A					E	E	E	E	E	E	E	E	E	E	E	E	E	E	E	E	E	E	E										E	E	E	E	E	E	E	E	E	E

8P + 44S + 3ACP

THIS DRAWING IS A CONTROLLED DOCUMENT.		DWN D. RINGLER 28JUL2003	
		CHK M. CORRELL 28JUL2003	
DIMENSIONS:	TOLERANCES UNLESS OTHERWISE SPECIFIED:	APVD	NAME
mm	0 PLC ±-	-	PANEL MOUNT CABLE RECEPTACLE HOUSING WITH GUIDES MULTI-BEAM XL
	1 PLC ±-	PRODUCT SPEC	
	2 PLC ±-	108-2157	
	3 PLC ±.005	APPLICATION SPEC	
	4 PLC ±.0020	114-13112	SIZE CAGE CODE DRAWING NO
	ANGLES ±	WEIGHT	A1 - C=1600636
MATERIAL	FINISH	-	RESTRICTED TO
TBD	-	CUSTOMER DRAWING	
		SCALE 4:1	SHEET 1 OF 5 REV. M5

Компания «Life Electronics» занимается поставками электронных компонентов импортного и отечественного производства от производителей и со складов крупных дистрибьюторов Европы, Америки и Азии.

С конца 2013 года компания активно расширяет линейку поставок компонентов по направлению коаксиальный кабель, кварцевые генераторы и конденсаторы (керамические, пленочные, электролитические), за счёт заключения дистрибьюторских договоров

Мы предлагаем:

- Конкуренспособные цены и скидки постоянным клиентам.
- Специальные условия для постоянных клиентов.
- Подбор аналогов.
- Поставку компонентов в любых объемах, удовлетворяющих вашим потребностям.
- Приемлемые сроки поставки, возможна ускоренная поставка.
- Доставку товара в любую точку России и стран СНГ.
- Комплексную поставку.
- Работу по проектам и поставку образцов.
- Формирование склада под заказчика.
- Сертификаты соответствия на поставляемую продукцию (по желанию клиента).
- Тестирование поставляемой продукции.
- Поставку компонентов, требующих военную и космическую приемку.
- Входной контроль качества.
- Наличие сертификата ISO.

В составе нашей компании организован Конструкторский отдел, призванный помогать разработчикам, и инженерам.

Конструкторский отдел помогает осуществить:

- Регистрацию проекта у производителя компонентов.
- Техническую поддержку проекта.
- Защиту от снятия компонента с производства.
- Оценку стоимости проекта по компонентам.
- Изготовление тестовой платы монтаж и пусконаладочные работы.



Тел: +7 (812) 336 43 04 (многоканальный)
Email: org@lifeelectronics.ru