



FCIconnect.com

Copyright FCI.

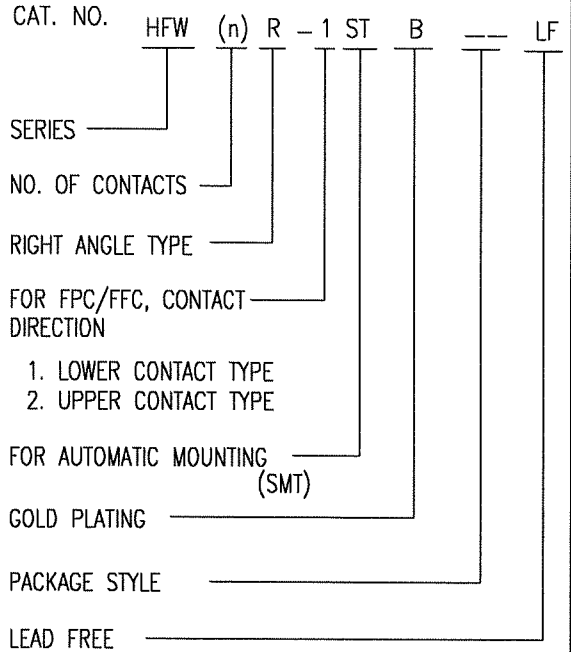
List of "HFW__R-1/2STBE1LF" customer document

DOCUMENT NO.	LIST
SC-HFWR03	SPEC.
JSA96783	CAT.NO.TABLE FOR 1mm SPACING SMT CONNECTOR (HFW__R-1/2STB__LF)
JSA96784	1mm SPACING SURFACE MOUNT FPC CONNECCTOR (HFW__R-1STB__LF)
JSA96785	1mm SPACING SURFACE MOUNT FPC CONNECCTOR (HFW__R-2STB__LF)
JSA96786	CAT.NO.TABLE FOR PLASTIC TAPE PACKAGED 1mm SPACING SMT CONN.(HFW__R-1/2STBE1LF)
JSA96787	1mm SPACING SMT CONNECTOR (HFW__R-1STBE1LF)
JSA96788	1mm SPACING SMT CONNECTOR (HFW__R-2STBE1LF)
JSA96789	RECOMMENDED CABLE (FPC) (HFW__R-1/2STB)
BJM-HFWR101	HANDLING PROCEDURES

mat'l. code				surface ⁵⁸ / tolerance		projection		product family		CODE	
				ISO 1302 ✓ / ISO 406 / ISO 1101				58NF		JP	
ltr		ecn no		dr		date		title			
A		J05-0653		H.T		10/12/05		1mm SPACING FPC/FFC CONNECTOR DOCUMENT LIST			
B		J06-0413		H.T		10/4/06		(Cat. No. : HFW__R-1/2STBE1LF)			
C		J07-0161		H.T		3/15/07					
				dr		2/15/07		dwg no		sheet 1 of 1 size	
				enr		2/15/07		JSA 96782		A4	
				chr		3/19/07		type		Product Customer Drawing	
				app		3/19/07					
sheet index		revision sheet		C		1				Rev c	

CAT. NO. & DIMENSIONS

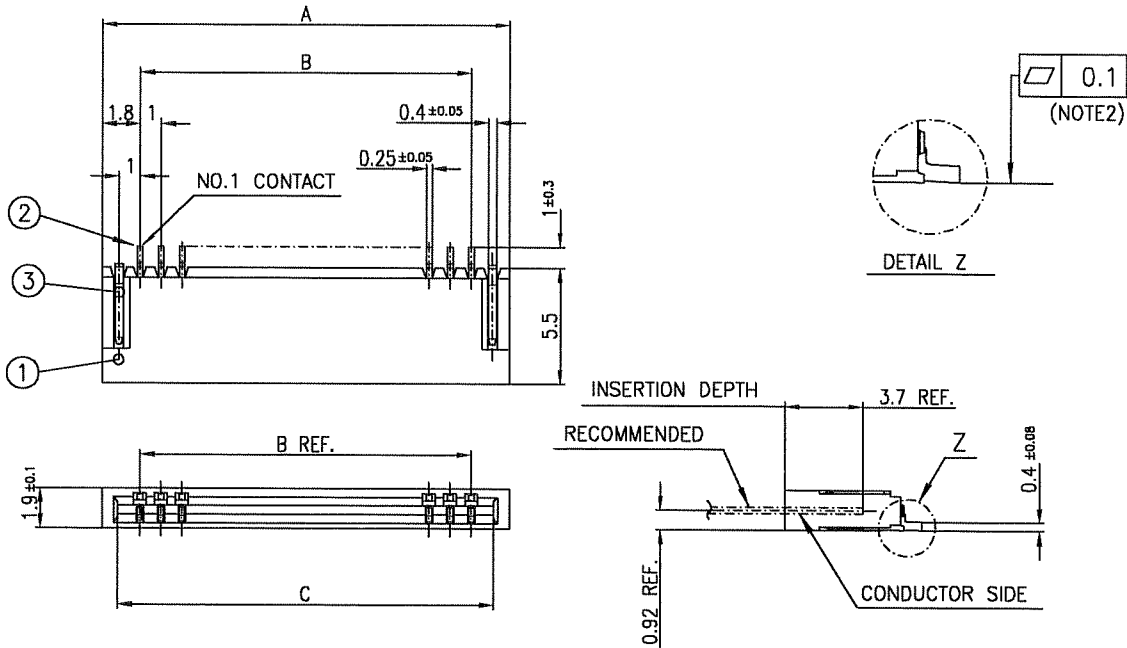
(NOTE3)	NO. OF CONTACTS (n)	CAT. NO.	DIMENSIONS (NOTE2)		
			A ± 0.2	B ± 0.2	C ± 0.1
	4	HFW4R-1/2STB__LF	6.6	3	5.14
	5	HFW5R-1/2STB__LF	7.6	4	6.14
	6	HFW6R-1/2STB__LF	8.6	5	7.14
	7	HFW7R-1/2STB__LF	9.6	6	8.14
	8	HFW8R-1/2STB__LF	10.6	7	9.14
	9	HFW9R-1/2STB__LF	11.6	8	10.14
	10	HFW10R-1/2STB__LF	12.6	9	11.14
	11	HFW11R-1/2STB__LF	13.6	10	12.14
	12	HFW12R-1/2STB__LF	14.6	11	13.14
	13	HFW13R-1/2STB__LF	15.6	12	14.14
	14	HFW14R-1/2STB__LF	16.6	13	15.14
	15	HFW15R-1/2STB__LF	17.6	14	16.14
	16	HFW16R-1/2STB__LF	18.6	15	17.14
	17	HFW17R-1/2STB__LF	19.6	16	18.14
	18	HFW18R-1/2STB__LF	20.6	17	19.14
	19	HFW19R-1/2STB__LF	21.6	18	20.14
	20	HFW20R-1/2STB__LF	22.6	19	21.14
	21	HFW21R-1/2STB__LF	23.6	20	22.14
	22	HFW22R-1/2STB__LF	24.6	21	23.14
	23	HFW23R-1/2STB__LF	25.6	22	24.14
	24	HFW24R-1/2STB__LF	26.6	23	25.14
	25	HFW25R-1/2STB__LF	27.6	24	26.14
	26	HFW26R-1/2STB__LF	28.6	25	27.14
	27	HFW27R-1/2STB__LF	29.6	26	28.14
*	28	HFW28R-1/2STB__LF	30.6	27	29.14
*	29	HFW29R-1/2STB__LF	31.6	28	30.14
	30	HFW30R-1/2STB__LF	32.6	29	31.14



NOTES

1. THIS PRODUCT IS THE CONNECTOR DESIGNED TO TERMINATE FPC AND COPES WITH AUTOMATIC MOUNTING (SMT).
2. SEE PART DRAWINGS FOR DIMENSIONS A~C.
3. PLEASE CONSULT US IN CASE OF USING PARTS WITH * MARK.

mat'l. code				surface 58 / tolerance ISO 1302 ✓ / ISO 406 / ISO 1101		projection		product family 58NF		CODE JP		
ltr	ecn no	dr	date	tolerances unless otherwise specified		mm		title				
A	J05-0653	H.T	10/12/'05	angles	linear	mm		CAT NO.TABLE FOR 1mm SPACING SMT CONNECTOR (Cat.No. HFW__R-1/2STB__LF)				
B	J06-0413	H.T	10/4/'06			scale X		dwg no sheet 1 of 1 size				
				dr	10/4/06	FCJ		JSA 96783 A4				
				enr	10/4/06			type Product Customer Drawing				
				chr	10/12/06							
				appd	10/12/06							
sheet index	revision sheet	B	1									Rev. B



PT. NO.	PARTS NAME	MATERIAL	Q'TY	NOTE
1	HOUSING	PA6T RESIN GLASS REINFORCED (UL94V-0)	1	COLOR:BLACK
2	CONTACT	PHOSPHOR BRONZE	n	CONTACT POINT:GOLD TERMINAL POINT:TIN
3	MOUNTING PLATE		2	TIN

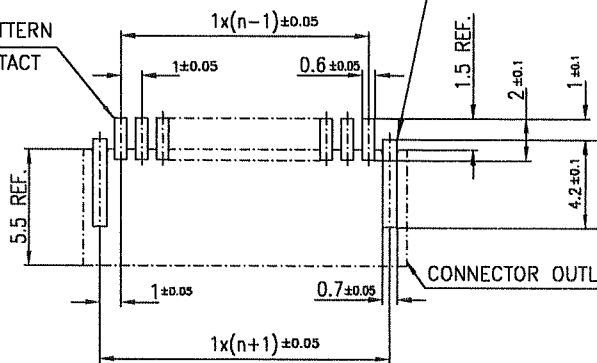
n : NO. OF CONTACTS

RECOMMENDED PC BOARD LAYOUT (COMPONENT SIDE)

PATTERN FOR MOUNTING PLATE FIXING

BASIC PATTERN

NO.1 CONTACT POSITION



NOTES

1. THIS PRODUCT IS THE CONNECTOR DESIGNED TO TERMINATE FPC AND COPES WITH AUTOMATIC MOUNTING (SMT).
2. FLATNESS OF CONTACT TERMINAL FOR HOUSING MUST BE WITHIN TOLERANCE IN Z PORTION DETAILED DRAWING.
3. THIS PRODUCT IS LOWER CONTACT TYPE CONNECTOR.
4. THIS PRODUCT MEETS EUROPEAN UNION DIRECTIVES AND OTHER COUNTRY REGULATIONS AS DESCRIBED IN GS-22-008
5. THE HOUSING WILL WITHSTAND EXPOSURE TO 260°C PEAK TEMPERATURE FOR 10 SECONDS IN A REFLOW SOLDERING OVEN

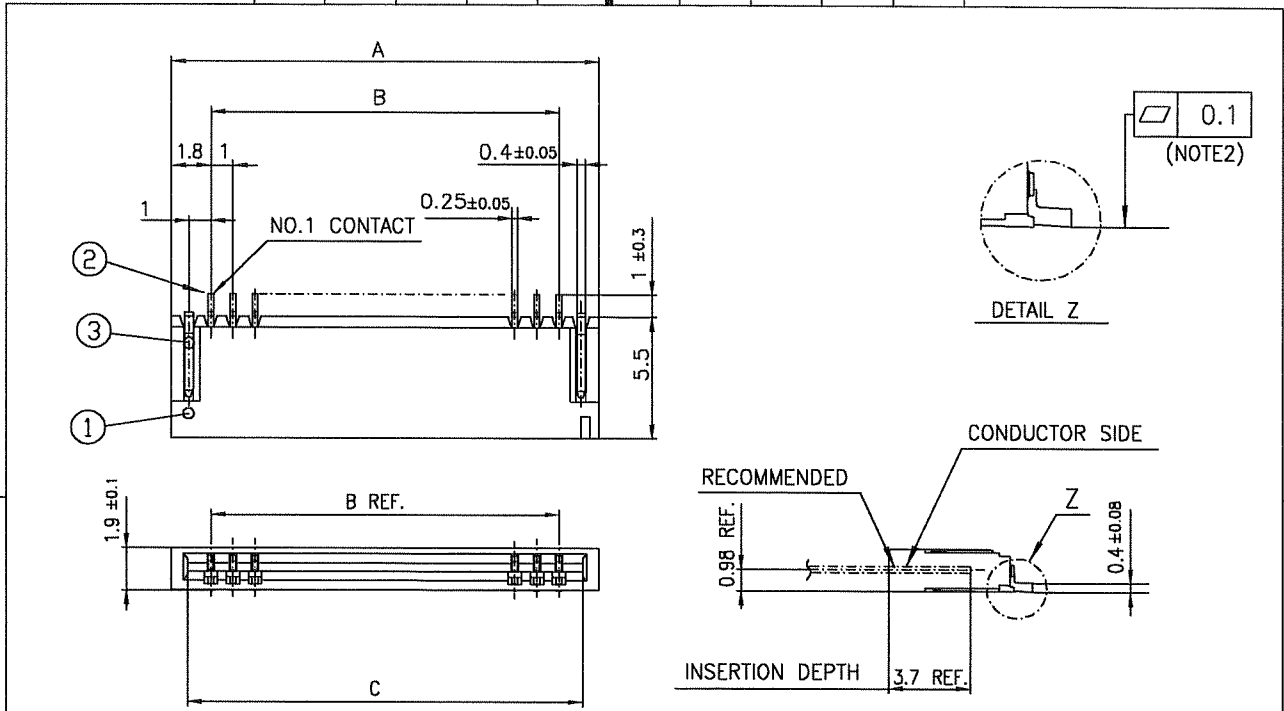
mat'l. code				surface 58 ISO 1302	tolerance ISO 406 ISO 1101	projection	product family 58NF	CODE JP
ltr	ecn no	dr	date	tolerances unless otherwise specified		mm	title	
A	J05-0653	H.T	10/12/'05	angles	linear		1mm SPACING SURFACE MOUNT FPC CONNECTOR (Cat.No. HFW__R-1STB_LF)	
B	J06-0413	H.T	10/4/'06			scale	dwg no sheet 1 of 1 size	
				dr	10/14/06		JSA 96784 A4	
				enrg	10/14/06		type Product Customer Drawing	
				chr	10/12/06			
				appd	10/12/06			
sheet index	revision sheet	B	1					Rev. B

SC-HFWR 03 JSA96783 form: A4



FCJconnect.com

Copyright FCI.

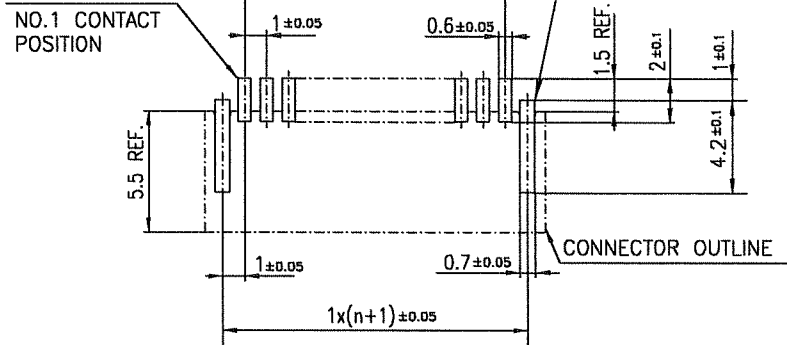


PT. NO.	PARTS NAME	MATERIAL	Q'TY	NOTE
1	HOUSING	PA6T RESIN GLASS REINFORCED (UL94V-0)	1	COLOR:BLACK
2	CONTACT	PHOSPHOR BRONZE	n	CONTACT POINT:GOLD TERMINAL POINT:TIN
3	MOUNTING PLATE		2	TIN

n : NO. OF CONTACTS

RECOMMENDED PC BOARD LAYOUT
(COMPONENT SIDE)

BASIC PATTERN



PATTERN FOR MOUNTING PLATE FIXING

NOTES

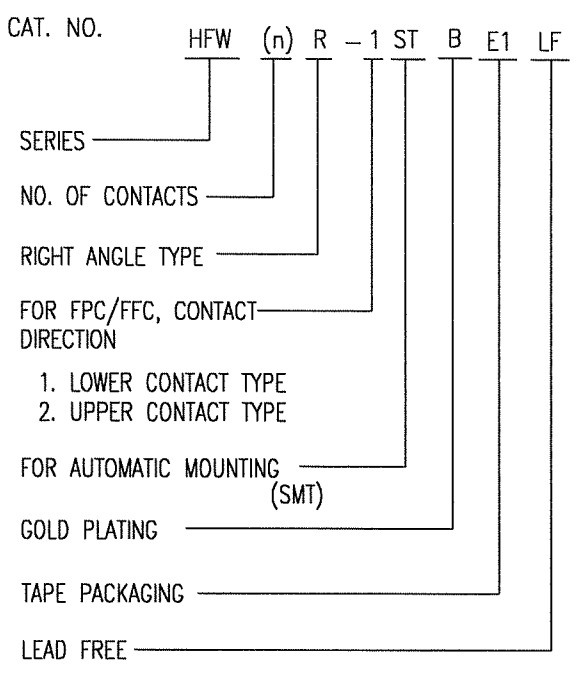
1. THIS PRODUCT IS THE CONNECTOR DESIGNED TO TERMINATE FPC AND COPES WITH AUTOMATIC MOUNTING (SMT).
2. FLATNESS OF CONTACT TERMINAL FOR HOUSING MUST BE WITHIN TOLERANCE IN Z PORTION DETAILED DRAWING.
3. THIS PRODUCT IS UPPER CONTACT TYPE CONNECTOR.
4. THIS PRODUCT MEETS EUROPEAN UNION DIRECTIVES AND OTHER COUNTRY REGULATIONS AS DESCRIBED IN GS-22-008
5. THE HOUSING WILL WITHSTAND EXPOSURE TO 260°C PEAK TEMPERATURE FOR 10 SECONDS IN A REFLOW SOLDERING OVEN

mat'l. code				surface 58 ISO 1302	tolerance ISO 406 ISO 1101	projection 	product family 58NF	CODE JP
ltr	ecn no	dr	date	tolerances, unless otherwise specified		mm 	title 1mm SPACING SURFACE MOUNT FPC CONNECTOR (Cat.No. HFW__R-2STB__LF)	
A	J05-0653	H.T	10/12/05	angles	linear		scale \times	dwg no JSA 96785
B	J06-0413	H.T	10/4/06	dr	<i>H. Hester</i> 10/4/06		sheet 1 of 1 size A4	
				enrg	<i>H. Hester</i> 10/4/06		type Product Customer Drawing	
				chr	<i>J. Gao</i> 10/12/06			
				appd	<i>S. Anderson</i> 10/12/06			
sheet index	revision sheet	B	1					Rev. B

SC-HFWR 03 JSA96783
form: A4

CAT. NO. & DIMENSIONS

(NOTE4)	NO. OF CONTACTS (n)	CAT. NO. (NOTE2)	DIMENSIONS (NOTE3)		
			E ± 5	F ± 0.3	G ± 0.1
	4	HFW4R-1/2STBE1LF	28.4	24	—
	5	HFW5R-1/2STBE1LF	28.4	24	—
	6	HFW6R-1/2STBE1LF	28.4	24	—
	7	HFW7R-1/2STBE1LF	28.4	24	—
	8	HFW8R-1/2STBE1LF	28.4	24	—
	9	HFW9R-1/2STBE1LF	28.4	24	—
	10	HFW10R-1/2STBE1LF	28.4	24	—
	11	HFW11R-1/2STBE1LF	28.4	24	—
	12	HFW12R-1/2STBE1LF	28.4	24	—
	13	HFW13R-1/2STBE1LF	28.4	24	—
	14	HFW14R-1/2STBE1LF	28.4	24	—
	15	HFW15R-1/2STBE1LF	36.4	32	28.4
	16	HFW16R-1/2STBE1LF	36.4	32	28.4
	17	HFW17R-1/2STBE1LF	36.4	32	28.4
	18	HFW18R-1/2STBE1LF	36.4	32	28.4
	19	HFW19R-1/2STBE1LF	48.4	44	40.4
	20	HFW20R-1/2STBE1LF	48.4	44	40.4
	21	HFW21R-1/2STBE1LF	48.4	44	40.4
	22	HFW22R-1/2STBE1LF	48.4	44	40.4
	23	HFW23R-1/2STBE1LF	48.4	44	40.4
	24	HFW24R-1/2STBE1LF	48.4	44	40.4
	25	HFW25R-1/2STBE1LF	48.4	44	40.4
	26	HFW26R-1/2STBE1LF	48.4	44	40.4
	27	HFW27R-1/2STBE1LF	48.4	44	40.4
*	28	HFW28R-1/2STBE1LF	48.4	44	40.4
*	29	HFW29R-1/2STBE1LF	48.4	44	40.4
	30	HFW30R-1/2STBE1LF	60.4	56	52.4

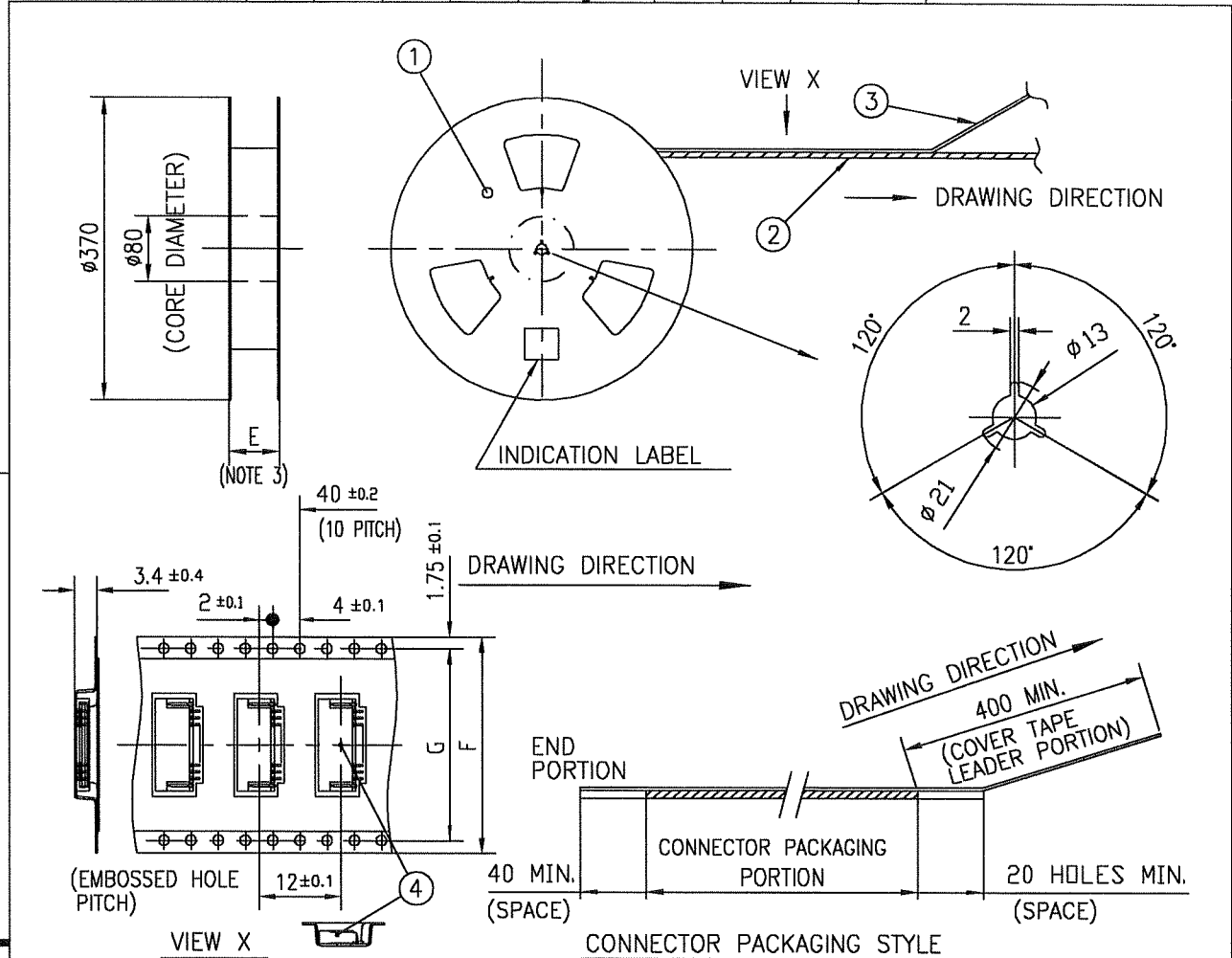


NOTES

1. THIS PRODUCT IS THE CONNECTOR DESIGNED TO TERMINATE FPC AND COPES WITH AUTOMATIC MOUNTING (SMT).
2. THIS CATALOG NO. INDICATES PLASTIC TAPE PACKAGED CONNECTOR.
3. SEE PART DRAWINGS FOR DIMENSIONS E~G.
4. PLEASE CONSULT US IN CASE OF USING PARTS WITH * MARK.

mat'l. code			surface 5B / ISO 1302 ✓		tolerance ISO 406 / ISO 1101		projection		product family 58NF			CODE JP	
ltr		ecn no		dr		date		tolerances unless otherwise specified		title		sheet 1 of 1	
A		J05-0653		H.T.		10/12/'05		angles linear		CAT. NO. TABLE FOR PLASTIC TAPE PACKAGED 1mm SPACING SMT CONN (Cat.No. HFW__R-1/2STBE1LF)		size A4	
B		J06-0413		H.T.		10/4/'06		mm		scale X		JSA 96786	
								dr		JSA 96786		type Product Customer Drawing	
								engr		sheet 1 of 1		Rev. B	
								chr		JSA 96786			
								appd		JSA 96786			
sheet index		revision sheet		B		1							

SC-HFWRD3 JSA96783 form: A4



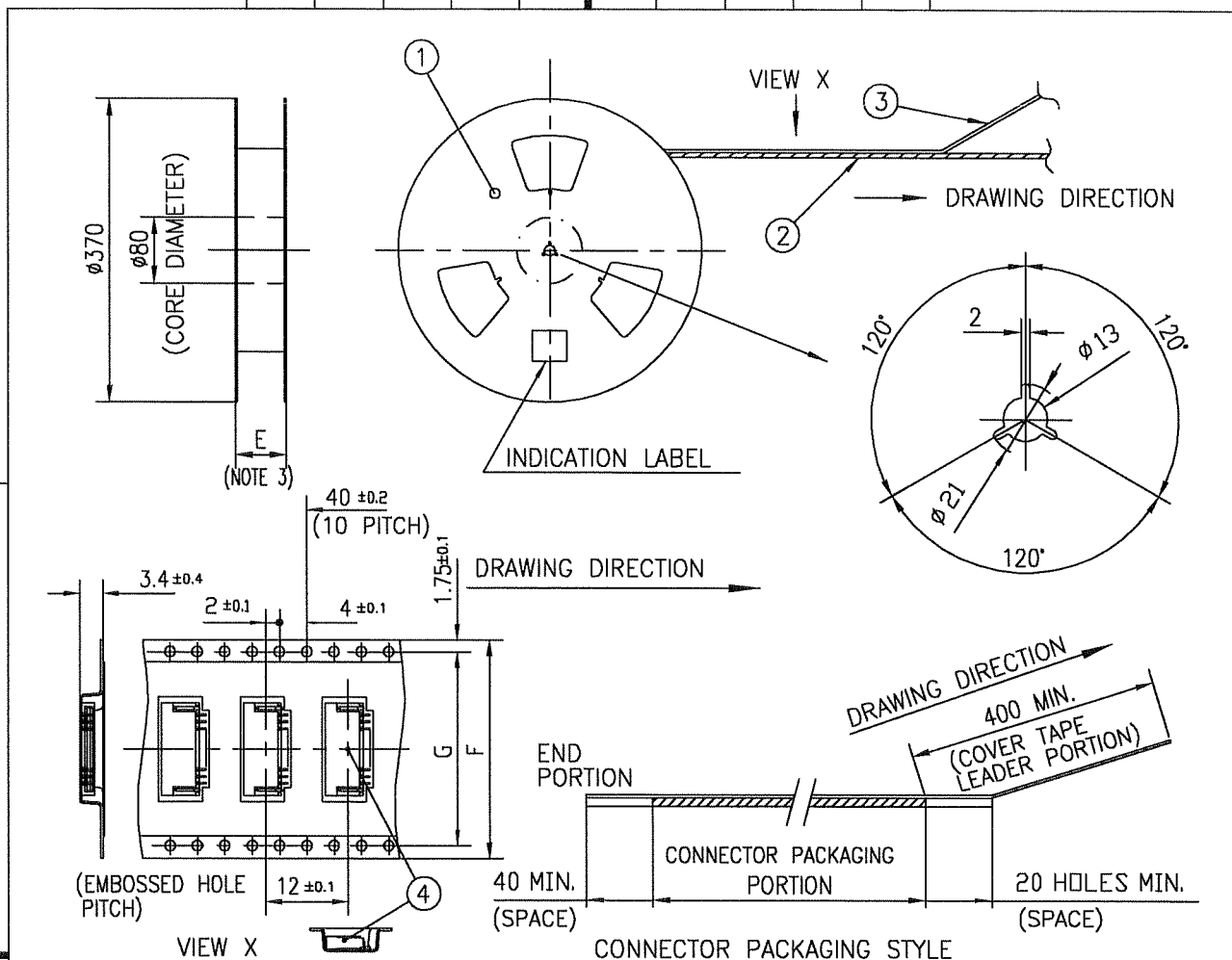
PT. NO.	PARTS NAME	CAT. NO.	MATERIAL	Q'TY	NOTE
1	REEL	_____	CARDBOARD	1	COLOR:WHITE
2	PLASTIC (EMBOSS) TAPE	_____	PET	_____	COLOR:TRANSPARENCY
3	COVER	_____	POLYESTER	_____	COLOR:TRANSPARENCY
4	CONNECTOR	HFW__R-1STB__LF	SEE ATTACHED DWG.	2000	LOWER CONTACT TYPE

- NOTES
1. THIS IS PLASTIC TAPE PACKAGED CONNECTOR DESIGNED TO TERMINATE FPC AND COPES WITH AUTOMATIC MOUNTING (SMT).
 2. SEE JIS C 0806 (PACKING OF ELECTRONIC COMPONENTS ON CONTINUOUS TAPES (SURFACE MOUNTING DEVICES)) FOR SHAPE AND DIMENSIONS OF PLASTIC (EMBOSS) TAPE AND REEL.
 3. E DIMENSION IS PORTION OF THE CORE.

mat'l. code		surface 58 ISO 1302 ✓		tolerance ISO 406 ISO 1101		projection mm		product family 58NF		CODE JP	
ltr		ecn no		dr		date		tolerances, unless otherwise specified		title	
A		J05-0653		H.T.		10/12/'05		±5		1mm SPACING SMT CONNECTOR (Cat.No. HFV__R-1STBE1LF)	
B		J06-0413		H.T.		10/4/'05		angles linear		scale X	
								±5'		dwg no	
								dr		sheet 1 of 1 size	
								enr		JSA 96787 A4	
								chr		type Product Customer Drawing	
								appd			
sheet index		revision sheet		B		1				Rev. B	

SC-HFWR 03 JSA96783
form: A4

FCJ
 FCconnect.com
 Copyright FCJ.



PT. NO.	PARTS NAME	CAT. NO.	MATERIAL	Q'TY	NOTE
1	REEL	---	CARDBOARD	1	COLOR:WHITE
2	PLASTIC (EMBOSSD) TAPE	---	PET	---	COLOR:TRANSPARENCY
3	COVER	---	POLYESTER	---	COLOR:TRANSPARENCY
4	CONNECTOR	HFW__R-2STB__-LF	SEE ATTACHED DWG.	2000	UPPER CONTACT TYPE

NOTES

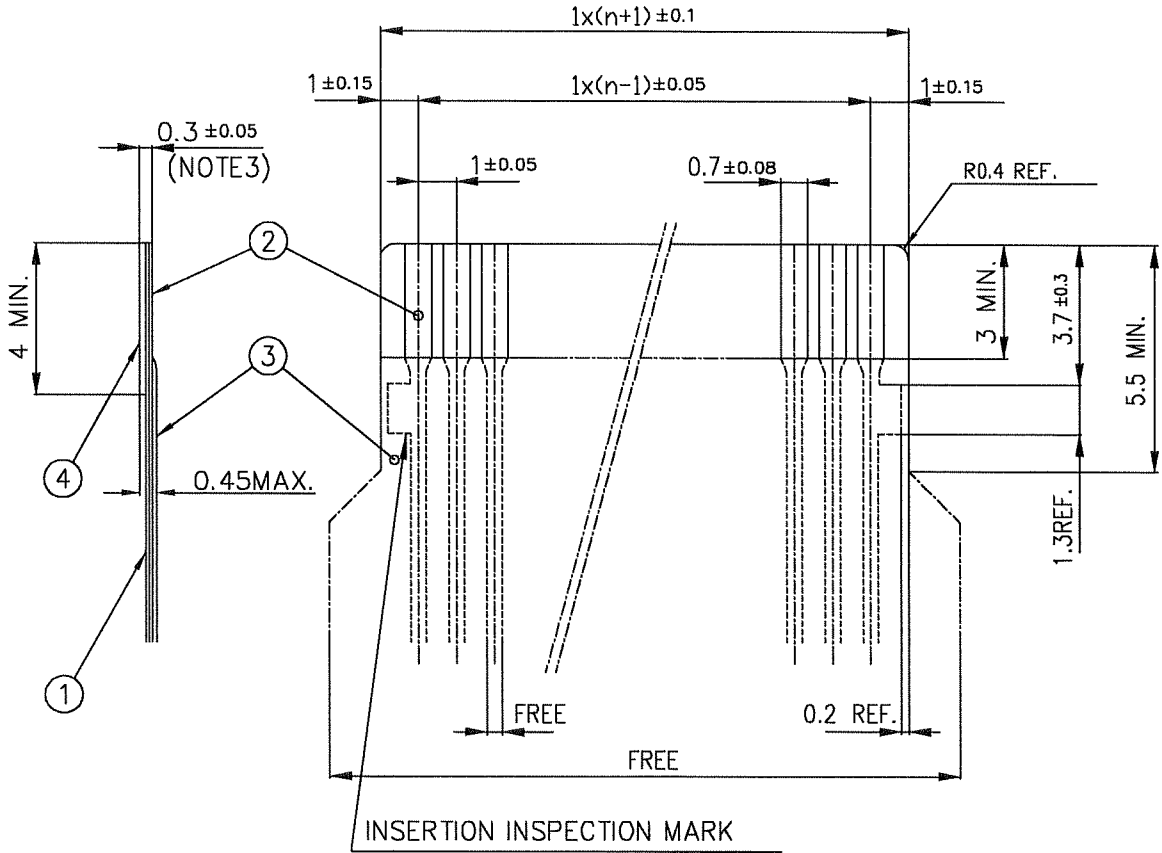
1. THIS IS PLASTIC TAPE PACKAGED CONNECTOR DESIGNED TO TERMINATE FPC AND COPES WITH AUTOMATIC MOUNTING (SMT).
2. SEE JIS C 0806 (PACKING OF ELECTRONIC COMPONENTS ON CONTINUOUS TAPES (SURFACE MOUNTING DEVICES)) FOR SHAPE AND DIMENSIONS OF PLASTIC (EMBOSSD) TAPE AND REEL.
3. E DIMENSION IS PORTION OF THE CORE.

mat'l. code		surface 58 / ISO 1302 ✓		tolerance ISO 406 / ISO 1101		projection		product family 58NF		CODE JP	
ltr	ecn no	dr	date	tolerances unless otherwise specified		mm		title			
A	J05-0653	H.T	10/12/'05	angles	linear	mm		1mm SPACING SMT CONNECTOR			
B	J06-0413	H.T	10/4/'06	±5'		scale X		(Cat.No. HFW__R-2STBE1LF)			
				dr	engr	FCJ		dwg no		sheet 1 of 1 size	
				chr	appd			JSA 96788		A4	
sheet index		revision sheet		B 1				type Product Customer Drawing		Rev. B	

SC-HFWR 03 JSA96783
form: A4

RECOMMENDED CABLE (FPC)

n : NO. OF CONDUCTORS



PT. NO.	DESCRIPTION	MATERIAL	THICKNESS (μm)
1	BASE FILM	POLYIMIDE OR POLYESTER OR EQUIVALENT	25
2	CONDUCTOR	COPPER FOIL(PLATING : GOLD)	35
3	OVERLAY	POLYIMIDE OR POLYESTER OR EQUIVALENT	—
4	SUPPORTING TAPE	POLYESTER OR POLYIMIDE OR EQUIVALENT	188

NOTES

1. NO BURR AT EACH PORTION.
2. NO PEELING IN COMMON USE.
3. TOTAL THICKNESS LIMIT OF EACH MATERIAL (INCLUDING ADHESIVE AGENT) IS SPECIFIED.

mat'l. code		surface 5B / tolerance ISO 1302 ✓ / ISO 406 / ISO 1101		projection	product family 58NF	CODE JP
ltr	ecn no	dr	date	tolerances unless otherwise specified	title	
A	J05-0653	H.T	10/12/05	angles	RECOMMENDED CABLE	
B	J06-0078	H.T	3/1/06	linear	HFW__R-1/2STB__	
C	J06-0413	H.T	10/4/06		scale X	
		dr	10/4/06			sheet 1 of 1 size A4
		enr	10/4/06			dwg no JSA 96789
		chr	10/12/06			
		app	10/12/06			type Product Customer Drawing
sheet index	revision sheet	C	1			Rev. C

Компания «Life Electronics» занимается поставками электронных компонентов импортного и отечественного производства от производителей и со складов крупных дистрибьюторов Европы, Америки и Азии.

С конца 2013 года компания активно расширяет линейку поставок компонентов по направлению коаксиальный кабель, кварцевые генераторы и конденсаторы (керамические, пленочные, электролитические), за счёт заключения дистрибьюторских договоров

Мы предлагаем:

- Конкурентоспособные цены и скидки постоянным клиентам.
- Специальные условия для постоянных клиентов.
- Подбор аналогов.
- Поставку компонентов в любых объемах, удовлетворяющих вашим потребностям.
- Приемлемые сроки поставки, возможна ускоренная поставка.
- Доставку товара в любую точку России и стран СНГ.
- Комплексную поставку.
- Работу по проектам и поставку образцов.
- Формирование склада под заказчика.
- Сертификаты соответствия на поставляемую продукцию (по желанию клиента).
- Тестирование поставляемой продукции.
- Поставку компонентов, требующих военную и космическую приемку.
- Входной контроль качества.
- Наличие сертификата ISO.

В составе нашей компании организован Конструкторский отдел, призванный помогать разработчикам, и инженерам.

Конструкторский отдел помогает осуществить:

- Регистрацию проекта у производителя компонентов.
- Техническую поддержку проекта.
- Защиту от снятия компонента с производства.
- Оценку стоимости проекта по компонентам.
- Изготовление тестовой платы монтаж и пусконаладочные работы.



Тел: +7 (812) 336 43 04 (многоканальный)

Email: org@lifeelectronics.ru