

ISL3232E, ISL4221E, ISL4223E

QFN Packaged, ±15kV ESD Protected, +2.7V to +5.5V, 150nA, 250kbps, RS-232 Transmitters/Receivers

The [ISL3232E](#), [ISL4221E](#), and [ISL4223E](#) devices are 2.7V to 5.5V powered RS-232 transmitters/receivers that meet EIA/TIA-232 and V.28/V.24 specifications, even at $V_{CC} = 3.0V$. They provide ±15kV ESD protection (IEC61000-4-2 Air Gap and Human Body Model) on transmitter outputs and receiver inputs (RS-232 pins). Targeted applications are PDAs, Palmtops, and hand-held products where the low operational power consumption and even lower standby power consumption are critical. Efficient on-chip charge pumps, coupled with manual and automatic powerdown functions, reduce the standby supply current to a 150nA trickle. The 5mmx5mm Quad Flat No-Lead (QFN) packaging and the use of small, low value capacitors ensure board space savings. Data rates greater than 250kbps are ensured at worst case load conditions.

The ISL4221E is a 1 driver, 1 receiver device and the ISL3232E and ISL4223E are 2 driver, 2 receiver devices that, coupled with the 5mmx5mm QFN package, provide the industry's smallest, lowest power serial port suitable for PDAs, and hand-held applications. The 5mmx5mm QFN requires 40% less board area than a 20 Ld TSSOP, and is nearly 20% thinner.

The ISL4221E and ISL4223E versions feature an automatic powerdown function that powers down the on-chip power supply and driver circuits. Automatic powerdown occurs when an attached peripheral device is shut off or the RS-232 cable is removed, and conserves system power automatically without changes to the hardware or operating system. The ISL4221E and ISL4223E power back up automatically when a valid RS-232 voltage is applied to any receiver input.

[Table 1](#) summarizes the features of the IC's and AN9863 summarizes the features of each device comprising the 3V RS-232 family.

Table 1. Summary of Features

Part Number	Number of Tx.	Number of Rx.	QFN Pkg. Available?	Data Rate (kbps)	Rx. Enable Function?	Manual Powerdown?	Automatic Powerdown Function?
ISL4221E	1	1	Yes	250	Yes	Yes	Yes
ISL3232E	2	2	Yes	250	No	No	No
ISL4223E	2	2	Yes	250	Yes	Yes	Yes

Features

- Available in near chip scale QFN (5mmx5mm) package, which is 40% smaller than a 20 Ld TSSOP
- ESD protection for RS-232 I/O pins to ±15kV (IEC61000)
- Meets EIA/TIA-232 and V.28/V.24 specifications at 3V
- RS-232 compatible with $V_{CC} = 2.7V$
- On-chip voltage converters require only four external 0.1µF capacitors
- Manual and automatic powerdown features (except ISL3232E)
- Receiver hysteresis for improved noise immunity
- Assured minimum data rate: 250kbps
- Wide power supply range: single +2.7V to +5.5V
- Low supply current in powerdown state: 150nA
- Pb-free (RoHS compliant)

Applications

- Any space-constrained system requiring RS-232 ports
 - Battery powered and portable equipment
 - Hand-held products (GPS receivers, bar code scanners, etc.)
 - PDAs and Palmtops, data cables
 - Cellular/mobile phones, digital cameras

Related Literature

For a full list of related documents, visit our website:

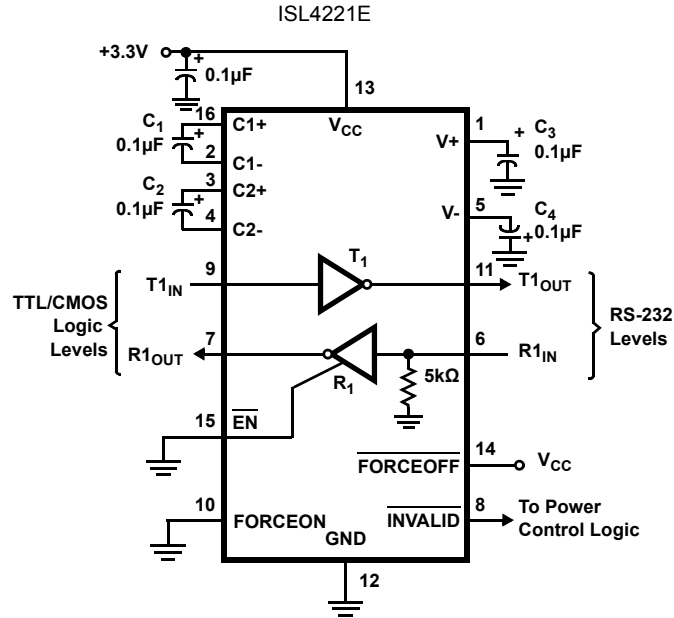
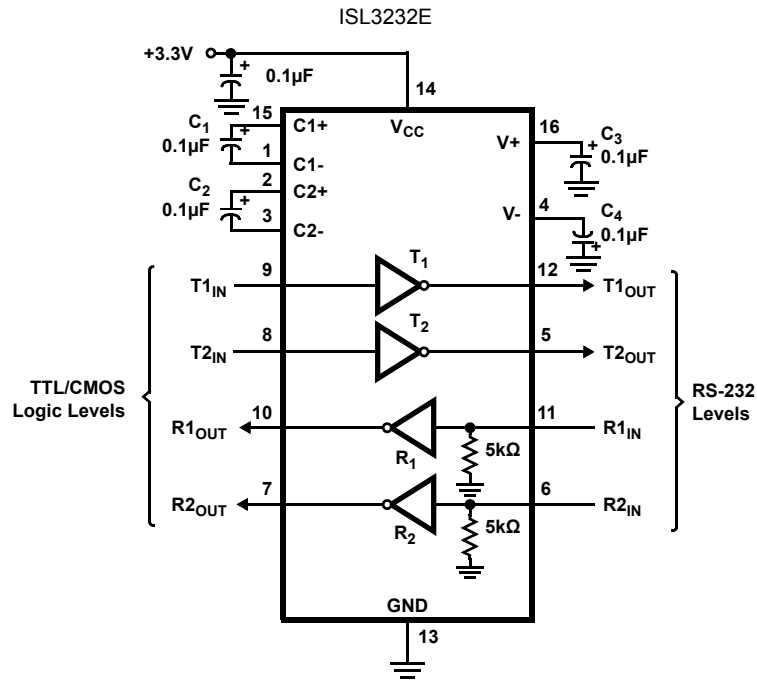
- [ISL3232E](#), [ISL4221E](#), and [ISL4223E](#) device pages

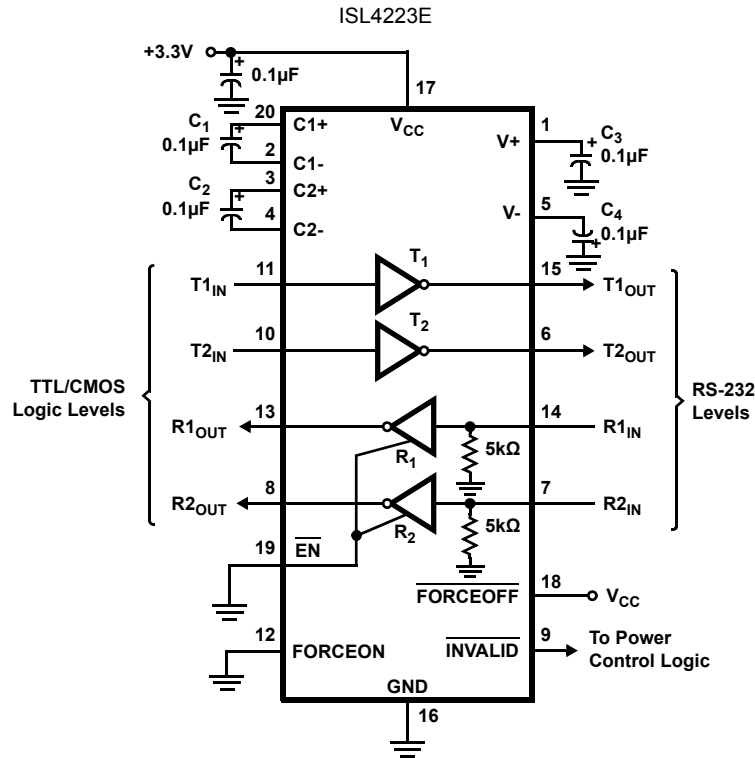
Contents

1. Overview	3
1.1 Typical Operating Circuits	3
1.2 Ordering Information	4
1.3 Pin Configurations	5
1.4 Pin Descriptions	6
2. Specifications	7
2.1 Absolute Maximum Ratings	7
2.2 Thermal Information	7
2.3 Recommended Operating Conditions	7
2.4 Electrical Specifications	7
3. Typical Performance Curves	10
4. Application Information	11
4.1 Charge Pump	11
4.1.1 Charge Pump Abs Max Ratings	11
4.2 Transmitters	12
4.3 Receivers	13
4.4 Low Power Operation	13
4.5 Powerdown Functionality (Excluding ISL3232E)	14
4.5.1 Software Controlled (Manual) Powerdown	14
4.5.2 Automatic Powerdown (Excluding ISL3232E)	15
4.5.3 <u>INVALID</u> Output (Excluding ISL3232E)	15
4.6 Capacitor Selection	16
4.7 Power Supply Decoupling	16
4.8 Transmitter Outputs when Exiting Powerdown	16
4.9 Operation Down to 2.7V	17
4.10 High Data Rates	17
4.11 Interconnection with 3V and 5V Logic	18
5. ±15kV ESD Protection	19
5.1 Human Body Model (HBM) Testing	19
5.2 IEC61000-4-2 Testing	19
5.3 Air-Gap Discharge Test Method	19
5.4 Contact Discharge Test Method	19
6. Die Characteristics	20
7. Revision History	21
8. Package Outline Drawings	22

1. Overview

1.1 Typical Operating Circuits





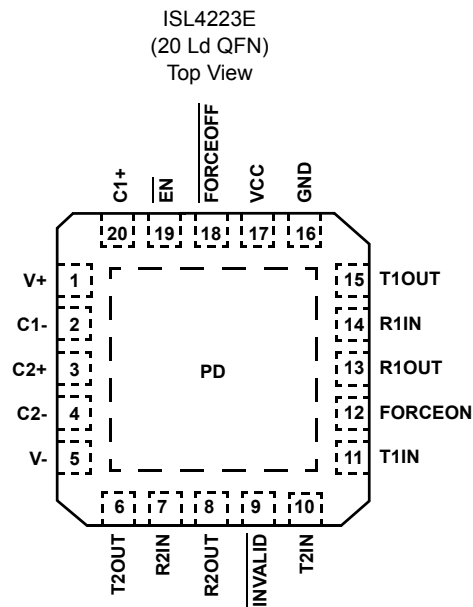
1.2 Ordering Information

Part Number (Notes 2, 3)	Part Marking	Temp. Range (°C)	Tape and Reel (Units) (Note 1)	Package (RoHS Compliant)	Pkg. Dwg. #
ISL3232EIRZ	ISL3232 EIRZ	-40 to +85	-	16 Ld QFN	L16.5x5B
ISL3232EIRZ-T	ISL3232 EIRZ	-40 to +85	6k	16 Ld QFN	L16.5x5B
ISL3232EIRZ-T7A	ISL3232 EIRZ	-40 to +85	250	16 Ld QFN	L16.5x5B
ISL4221EIRZ	ISL4221 EIRZ	-40 to +85	-	16 Ld QFN	L16.5x5B
ISL4221EIRZ-T	ISL4221 EIRZ	-40 to +85	6k	16 Ld QFN	L16.5x5B
ISL4223EIRZ	ISL4223 EIRZ	-40 to +85	-	20 Ld QFN	L20.5x5
ISL4223EIRZ-T	ISL4223 EIRZ	-40 to +85	6k	20 Ld QFN	L20.5x5
ISL4223EIRZ-TK	ISL4223 EIRZ	-40 to +85	1k	20 Ld QFN	L20.5x5
ISL4223EIRZ-T7A	ISL4223 EIRZ	-40 to +85	250	20 Ld QFN	L20.5x5

Notes:

1. See [TB347](#) for details about reel specifications.
2. These Pb-free plastic packaged products employ special Pb-free material sets, molding compounds/die attach materials, and 100% matte tin plate plus anneal (e3 termination finish, which is RoHS compliant and compatible with both SnPb and Pb-free soldering operations). Pb-free products are MSL classified at Pb-free peak reflow temperatures that meet or exceed the Pb-free requirements of IPC/JEDEC J-STD-020.
3. For Moisture Sensitivity Level (MSL), see the [ISL3232E](#), [ISL4221E](#), and [ISL4223E](#) device pages. For more information about MSL, see [TB363](#).

1.3 Pin Configurations



1.4 Pin Descriptions

Pin Name	Function
VCC	System power supply input (2.7V to 5.5V).
V+	Internally generated positive transmitter supply (+5.5V).
V-	Internally generated negative transmitter supply (-5.5V).
GND	Ground connection. This is also the potential of the thermal pad (PD).
C1+	External capacitor (voltage doubler) is connected to this lead.
C1-	External capacitor (voltage doubler) is connected to this lead.
C2+	External capacitor (voltage inverter) is connected to this lead.
C2-	External capacitor (voltage inverter) is connected to this lead.
TxIN	TTL/CMOS compatible transmitter Inputs.
TxOUT	±15kV ESD protected, RS-232 level (nominally ±5.5V) transmitter outputs.
RxIN	±15kV ESD protected, RS-232 compatible receiver inputs.
RxOUT	TTL/CMOS level receiver outputs.
$\overline{\text{INVALID}}$	Active low output that indicates if no valid RS-232 levels are present on any receiver input.
$\overline{\text{FORCEOFF}}$	Active low to shut down transmitters and on-chip power supply, which overrides any automatic circuitry and FORCEON (see Table 5 on page 14).
FORCEON	Active high input to override automatic powerdown circuitry, which keeps transmitters active ($\overline{\text{FORCEOFF}}$ must be high).
$\overline{\text{EN}}$	Active low receiver enable control.
PD	Exposed thermal pad. Connect to GND.

2. Specifications

2.1 Absolute Maximum Ratings

Parameter	Minimum	Maximum	Unit
V _{CC} to GND	-0.3	6	V
V+ to GND	-0.3	7	V
V- to GND	+0.3	-7	V
V+ to V-		14	V
Input Voltages			
T _{IN} , FORCEOFF, FORCEON, EN	-0.3	6	V
R _{IN}		±25	V
Output Voltages			
T _{OUT}		±13.2	V
R _{OUT} , INVALID	-0.3	V _{CC} +0.3	V
Short-Circuit Duration			
T _{OUT}		Continuous	
ESD Rating	(See “ESD Performance” on page 9)		

CAUTION: Do not operate at or near the maximum ratings listed for extended periods of time. Exposure to such conditions can adversely impact product reliability and result in failures not covered by warranty.

2.2 Thermal Information

Thermal Resistance (Typical, Notes 4, 5)	θ_{JA} (°C/W)	θ_{JC} (°C/W)
16 Ld QFN Package	35	4.3
20 Ld QFN Package	32	4.3

Notes:

- θ_{JA} is measured in free air with the component mounted on a high-effective thermal conductivity test board with “direct attach” features. See [TB379](#).
- For θ_{JC} , the “case temp” location is the center of the exposed metal pad on the package underside.

Parameter	Minimum	Maximum	Unit
Maximum Junction Temperature (Plastic Package)		+150	°C
Maximum Storage Temperature Range	-65	+150	°C
Pb-Free Reflow Profile	see TB493		

2.3 Recommended Operating Conditions

Parameter	Minimum	Maximum	Unit
Temperature Range	-40	+85	°C

2.4 Electrical Specifications

Test conditions: V_{CC} = 3V to 5.5V, C₁ through C₄ = 0.1µF; unless otherwise specified. Typicals are at T_A = +25°C

Parameter	Test Conditions	Temp (°C)	Min (Note 7)	Typ	Max (Note 7)	Unit
DC Characteristics						
Supply Current, Automatic Powerdown	All R _{IN} open, FORCEON = GND, FORCEOFF = V _{CC} (except ISL3232E)	25	-	0.15	1	µA

Test conditions: $V_{CC} = 3V$ to $5.5V$, C_1 through $C_4 = 0.1\mu F$; unless otherwise specified. Typicals are at $T_A = +25^\circ C$ (Continued)

Parameter	Test Conditions	Temp (°C)	Min (Note 7)	Typ	Max (Note 7)	Unit
Supply Current, Powerdown	$\overline{FORCEOFF} = GND$ (except ISL3232E)	25	-	0.15	1	μA
Supply Current, Automatic Powerdown Disabled	All outputs unloaded, $\overline{FORCEON} = \overline{FORCEOFF} = V_{CC}$	$V_{CC} = 3.15V$	-	0.3	1.0	mA
Logic and Transmitter Inputs and Receiver Outputs						
Input Logic Threshold Low	$T_{IN}, \overline{FORCEON}, \overline{FORCEOFF}, \overline{EN}$	Full	-	-	0.8	V
Input Logic Threshold High	$T_{IN}, \overline{FORCEON}, \overline{FORCEOFF}, \overline{EN}$	$V_{CC} = 3.3V$	Full	2.0	-	V
		$V_{CC} = 5.0V$	Full	2.4	-	V
Input Leakage Current	$T_{IN}, \overline{FORCEON}, \overline{FORCEOFF}, \overline{EN}$	Full	-	± 0.01	± 1.0	μA
Output Leakage Current	$\overline{EN} = V_{CC}$ (except ISL3232E)	Full	-	± 0.05	± 10	μA
Output Voltage Low	$I_{OUT} = 1.6mA$	Full	-	-	0.4	V
Output Voltage High	$I_{OUT} = -1.0mA$	Full	$V_{CC} - 0.6$	$V_{CC} - 0.1$	-	V
Automatic Powerdown ($\overline{FORCEON} = GND, \overline{FORCEOFF} = V_{CC}$, except ISL3232E)						
Receiver Input Thresholds to Enable Transmitters	ISL4221E and ISL4223E powers up (see Figure 10)	Full	-2.7	-	2.7	V
Receiver Input Thresholds to Disable Transmitters	ISL4221E and ISL4223E powers down (see Figure 10)	Full	-0.3	-	0.3	V
$\overline{INVALID}$ Output Voltage Low	$I_{OUT} = 1.6mA$	Full	-	-	0.4	V
$\overline{INVALID}$ Output Voltage High	$I_{OUT} = -1.0mA$	Full	$V_{CC} - 0.6$	-	-	V
Receiver Threshold to Transmitters Enabled Delay (t_{WU})		25	-	100	-	μs
Receiver Positive or Negative Threshold to $\overline{INVALID}$ High Delay (t_{INVH})		25	-	1	-	μs
Receiver Positive or Negative Threshold to $\overline{INVALID}$ Low Delay (t_{INVL})		25	-	30	-	μs
Receiver Inputs						
Input Voltage Range		25	-25	-	25	V
Input Threshold Low	$V_{CC} = 3.3V$	25	0.6	1.2	-	V
	$V_{CC} = 5.0V$	25	0.8	1.5	-	V
Input Threshold High	$V_{CC} = 3.3V$	25	-	1.5	2.4	V
	$V_{CC} = 5.0V$	25	-	1.8	2.4	V
Input Hysteresis		25	-	0.5	-	V
Input Resistance		25	3	5	7	k Ω
Transmitter Outputs						
Output Voltage Swing	All transmitter outputs loaded with $3k\Omega$ to ground	Full	± 5.0	± 5.4	-	V
Output Resistance	$V_{CC} = V+ = V- = 0V$, transmitter output = $\pm 2V$	Full	300	10M	-	Ω
Output Short-Circuit Current		Full	-	± 35	± 60	mA
Output Leakage Current	$V_{OUT} = \pm 12V, V_{CC} = 0V$, or $V_{CC} = 3V$ to $5.5V$, with automatic powerdown or $\overline{FORCEOFF} = GND$	Full	-	-	± 25	μA
Timing Characteristics						
Maximum Data Rate	$R_L = 3k\Omega, C_L = 1000pF$, one transmitter switching	Full	250	500	-	kbps
Receiver Propagation Delay	Receiver input to receiver output, $C_L = 150pF$	t_{PHL}	25	-	0.15	μs
		t_{PLH}	25	-	0.15	μs

Test conditions: $V_{CC} = 3V$ to $5.5V$, C_1 through $C_4 = 0.1\mu F$; unless otherwise specified. Typical values are at $T_A = +25^\circ C$ (Continued)

Parameter	Test Conditions	Temp (°C)	Min (Note 7)	Typ	Max (Note 7)	Unit	
Receiver Output Enable Time	Normal operation (except ISL3232E)	25	-	200	-	ns	
Receiver Output Disable Time	Normal operation (except ISL3232E)	25	-	200	-	ns	
Transmitter Skew	$t_{PHL} - t_{PLH}$ (Note 6)	25	-	100	-	ns	
Receiver Skew	$t_{PHL} - t_{PLH}$	25	-	50	-	ns	
Transition Region Slew Rate	$V_{CC} = 3.3V$, $R_L = 3k\Omega$ to $7k\Omega$, measured from $3V$ to $-3V$ or $-3V$ to $3V$	$C_L = 150pF$ to $2500pF$	25	4	-	30	V/ μs
		$C_L = 150pF$ to $1000pF$	25	6	-	30	V/ μs
ESD Performance							
RS-232 Pins (TOUT, RIN)	Human Body Model	25	-	± 15	-	kV	
	IEC61000-4-2 Contact Discharge	25	-	± 8	-	kV	
	IEC61000-4-2 Air Gap Discharge	25	-	± 15	-	kV	
All Other Pins	Human Body Model	25	-	± 2	-	kV	

Notes:

- Transmitter skew is measured at the transmitter zero crossing points.
- Parameters with Min and/or Max limits are 100% tested at $+25^\circ C$, unless otherwise specified. Temperature limits established by characterization and are not production tested.

3. Typical Performance Curves

$V_{CC} = 3.3V$, $T_A = +25^\circ C$



Figure 1. Transmitter Output Voltage vs Load Capacitance



Figure 2. Slew Rate vs Load Capacitance



Figure 3. Supply Current vs Load Capacitance when Transmitting Data

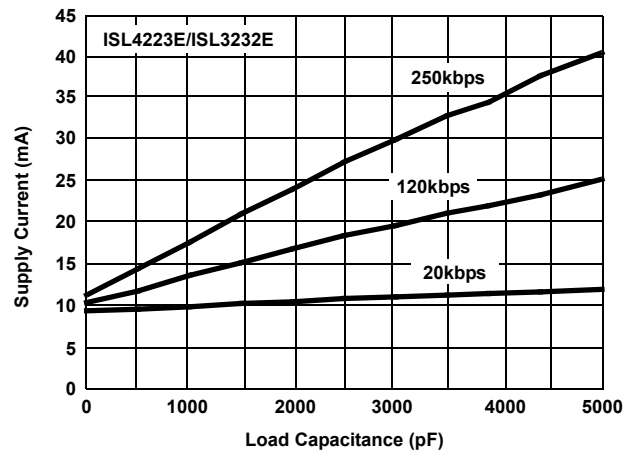


Figure 4. Supply Current vs Load Capacitance when Transmitting Data

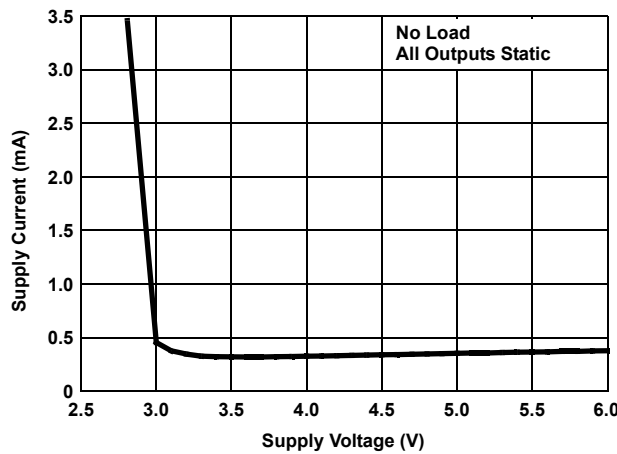


Figure 5. Supply Current vs Supply Voltage

4. Application Information

The ISL4221E, ISL4223E, and ISL3232E operate from a single +2.7V to +5.5V supply, ensure a 250kbps minimum data rate, require only four small external 0.1 μ F capacitors, feature low power consumption, and meet all EIA RS-232C and V.28 specifications even with $V_{CC} = 3.0V$.

4.1 Charge Pump

The ISL4221E, ISL4223E, and ISL3232E use regulated on-chip dual charge pumps as voltage doublers, and voltage inverters to generate $\pm 5.5V$ transmitter supplies from a V_{CC} supply as low as 3.0V, which allows them to maintain RS-232 compliant output levels over the $\pm 10\%$ tolerance range of 3.3V powered systems. The efficient on-chip power supplies require only four small, external 0.1 μ F capacitors for the voltage doubler and inverter functions. The charge pumps operate discontinuously (that is, they turn off as soon as the V+ and V- supplies are pumped up to the nominal values), resulting in significant power savings.

4.1.1 Charge Pump Abs Max Ratings

These 3V to 5V RS-232 transceivers have been fully characterized for 3.0V to 3.6V operation and for critical points at 4.5V to 5.5V operation. Furthermore, load conditions were favorable using static logic states only.

The specified maximum values for V+ and V- are +7V and -7V, respectively. These limits apply for V_{CC} values set to 3.0V and 3.6V (see [Table 2](#)). For V_{CC} values set to 4.5V and 5.5V, the maximum values for V+ and V- can approach +9V and -7V, respectively ([Table 3 on page 12](#)). The breakdown characteristics for V+ and V- were measured with $\pm 13V$.

Table 2. V+ and V- Values for $V_{CC} = 3.0V$ to 3.6V

C ₁ (μ F)	C ₂ , C ₃ , C ₄ (μ F)	Load	T1IN (Logic State)	V+ (V)		V- (V)	
				V _{CC} = 3.0V	V _{CC} = 3.6V	V _{CC} = 3.0V	V _{CC} = 3.6V
0.1	0.1	Open	H	5.80	6.56	-5.60	-5.88
			L	5.80	6.56	-5.60	-5.88
			2.4kbps	5.80	6.56	-5.60	-5.88
		3k Ω // 1000pF	H	5.88	6.60	-5.56	-5.92
			L	5.76	6.36	-5.56	-5.76
			2.4kbps	6.00	6.64	-5.64	-5.96
0.047	0.33	Open	H	5.68	6.00	-5.60	-5.60
			L	5.68	6.00	-5.60	-5.60
			2.4kbps	5.68	6.00	-5.60	-5.60
		3k Ω // 1000pF	H	5.76	6.08	-5.64	-5.64
			L	5.68	6.04	-5.60	-5.60
			2.4kbps	5.84	6.16	-5.64	-5.72
1	1	Open	H	5.88	6.24	-5.60	-5.60
			L	5.88	6.28	-5.60	-5.64
			2.4kbps	5.80	6.20	-5.60	-5.60
		3k Ω // 1000pF	H	5.88	6.44	-5.64	-5.72
			L	5.88	6.04	-5.64	-5.64
			2.4kbps	5.92	6.40	-5.64	-5.64

Table 3. V+ and V- Values for $V_{CC} = 4.5V$ to $5.5V$

C ₁ (μF)	C ₂ , C ₃ , C ₄ (μF)	Load	T1IN (Logic State)	V+ (V)		V- (V)	
				V _{CC} = 4.5V	V _{CC} = 5.5V	V _{CC} = 4.5V	V _{CC} = 5.5V
0.1	0.1	Open	H	7.44	8.48	-6.16	-6.40
			L	7.44	8.48	-6.16	-6.44
			2.4kbps	7.44	8.48	-6.17	-6.44
		3kΩ // 1000pF	H	7.76	8.88	-6.36	-6.72
			L	7.08	8.00	-5.76	-5.76
			2.4kbps	7.76	8.84	-6.40	-6.64
0.047	0.33	Open	H	6.44	6.88	-5.80	-5.88
			L	6.48	6.88	-5.84	-5.88
			2.4kbps	6.44	6.88	-5.80	-5.88
		3kΩ // 1000pF	H	6.64	7.28	-5.92	-6.04
			L	6.24	6.60	-5.52	-5.52
			2.4kbps	6.72	7.16	-5.92	-5.96
1	1	Open	H	6.84	7.60	-5.76	-5.76
			L	6.88	7.60	-5.76	-5.76
			2.4kbps	6.92	7.56	-5.72	-5.76
		3kΩ // 1000pF	H	7.28	8.16	-5.80	-5.92
			L	6.44	6.84	-5.64	-6.84
			2.4kbps	7.08	7.76	-5.80	-5.80

The resulting new maximum voltages at V+ and V- are listed in [Table 4](#).

Table 4. New Measured Withstanding Voltages

V+, V- to Ground	±13V
V+ to V-	20V

4.2 Transmitters

The transmitters are proprietary, low dropout, inverting drivers that translate TTL/CMOS inputs to EIA/TIA-232 output levels. The transmitters are coupled with the on-chip ±5.5V supplies to deliver true RS-232 levels across a wide range of single supply system voltages.

All ISL4221E and ISL4223E transmitter outputs disable and assume a high impedance state when the device enters the powerdown mode (see [Table 5 on page 14](#)). The outputs can be driven to ±12V when disabled.

The devices ensure a 250kbps data rate for full load conditions (3kΩ and 1000pF), $V_{CC} \geq 3.0V$, with one transmitter operating at full speed. Under more typical conditions of $V_{CC} \geq 3.3V$, $R_L = 3k\Omega$, and $C_L = 250pF$, one transmitter easily operates at 900kbps.

Transmitter inputs float if they remain unconnected and can cause I_{CC} increases. Connect unused inputs to GND for best performance.

4.3 Receivers

The ISL4221E, ISL4223E, and ISL3232E contain standard inverting receivers, and the ISL4221E and ISL4223E receivers tri-state using the \overline{EN} control line. All the receivers convert RS-232 signals to CMOS output levels and accept inputs up to $\pm 25V$ while presenting the required 3k Ω to 7k Ω input impedance (see Figure 6) even if the power is off ($V_{CC} = 0V$). The receivers' Schmitt trigger input stage uses hysteresis to increase noise immunity and decrease errors due to slow input signal transitions.

Receivers driving a powered down UART must be disabled to prevent current flow through and possible damage to the UART's protection diodes (see Figures 7 and 8), which can be accomplished on the ISL4221E and ISL4223E by driving the \overline{EN} input high whenever the UART powers down. Figure 8 also shows that the $\overline{INVALID}$ output can be used to determine when the UART should be powered down. When the RS-232 cable is disconnected, $\overline{INVALID}$ switches low indicating that the UART is no longer needed. Reconnecting the cable drives $\overline{INVALID}$ back high, indicating that the UART should be powered up.



Figure 6. Inverting Receiver Connections



Figure 7. Power Drain Through Powered Down Peripheral



Figure 8. Disabled Receivers Prevent Power Drain

4.4 Low Power Operation

The 3V ISL4221E, ISL4223E, and ISL3232E require a nominal supply current of 0.3mA, even at $V_{CC} = 5.5V$ during normal operation (not in powerdown mode). This supply current is considerably less than the 5mA to 11mA current required by comparable 5V RS-232 devices, which allows you to reduce system power simply by switching to this new family.

4.5 Powerdown Functionality (Excluding ISL3232E)

The already low current requirement drops significantly when the device enters powerdown mode. In powerdown, supply current drops to 150nA because the on-chip charge pump turns off (V+ collapses to V_{CC}, V- collapses to GND) and the transmitter outputs tri-state. Receiver outputs are unaffected by powerdown; see [Table 5](#) for details. This micro-power mode makes the ISL4221E and ISL4223E ideal for battery-powered and portable applications.

Table 5. Powerdown and Enable Logic Truth Table (Excluding ISL3232E)

RS-232 Signal Present at Receiver Input?	$\overline{\text{FORCEOFF}}$ Input	FORCEON Input	$\overline{\text{EN}}$ Input	Transmitter Outputs	Receiver Outputs	$\overline{\text{INVALID}}$ Output	Mode of Operation
No	H	H	L	Active	Active	L	Normal Operation (Auto Powerdown Disabled)
No	H	H	H	Active	High-Z	L	
Yes	H	L	L	Active	Active	H	Normal Operation (Auto Powerdown Enabled)
Yes	H	L	H	Active	High-Z	H	
No	H	L	L	High-Z	Active	L	Powerdown Due to Auto Powerdown Logic
No	H	L	H	High-Z	High-Z	L	
Yes	L	X	L	High-Z	Active	H	Manual Powerdown
Yes	L	X	H	High-Z	High-Z	H	Manual Powerdown w/Rcvr. Disabled
No	L	X	L	High-Z	Active	L	Manual Powerdown
No	L	X	H	High-Z	High-Z	L	Manual Powerdown w/Rcvr. Disabled

4.5.1 Software Controlled (Manual) Powerdown

The ISL4221E and ISL4223E family provide pins that allow you to force the IC into the low power, standby state, and use a two pin approach where the FORCEON and $\overline{\text{FORCEOFF}}$ inputs determine the IC’s mode. For always enabled operation, FORCEON and $\overline{\text{FORCEOFF}}$ are both strapped high. Under logic or software control, only the $\overline{\text{FORCEOFF}}$ input needs to be driven to switch between active and powerdown modes. The FORCEON state is not critical because $\overline{\text{FORCEOFF}}$ overrides FORCEON. However, if strictly manual control over powerdown is needed, you must strap FORCEON high to disable the automatic powerdown circuitry.

Connecting $\overline{\text{FORCEOFF}}$ and FORCEON together disables the automatic powerdown feature, enabling them to function as a manual SHUTDOWN input (see [Figure 9](#)).

The time to recover from automatic powerdown mode is typically 100µs.

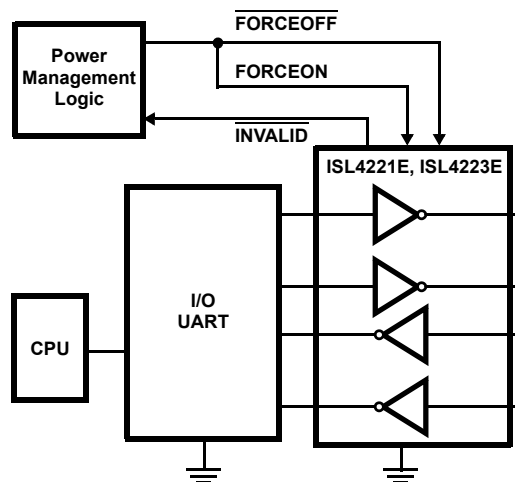


Figure 9. Connections for Manual Powerdown when No Valid Receiver Signals are Present

4.5.2 Automatic Powerdown (Excluding ISL3232E)

Even greater power savings are available by using the automatic powerdown function. When no valid RS-232 voltages (see [Figure 10](#)) are sensed on any receiver input for 30 μ s, the charge pump and transmitters power down, and reduce supply current to 150nA. Invalid receiver levels occur whenever the driving peripheral's outputs are shut off (powered down) or when the RS-232 interface cable is disconnected. The ISL4221E and ISL4223E power back up whenever they detect a valid RS-232 voltage level on any receiver input. This automatic powerdown feature provides additional system power savings without changes to the existing operating system.



Figure 10. Definition of Valid RS-232 Receiver Levels

Automatic powerdown operates when the FORCEON input is low, and the FORCEOFF input is high. Tying FORCEON high disables automatic powerdown, but manual powerdown is always available with the overriding FORCEOFF input. [Table 5 on page 14](#) summarizes the automatic powerdown functionality.

Some applications may need more time to wake up from shutdown. If automatic powerdown is used, the RS-232 device re-enters powerdown if valid receiver levels are not reestablished within 30 μ s of the ISL4221E and ISL4223E powering up. [Figure 11](#) illustrates a circuit that keeps the ISL4221E and ISL4223E from initiating automatic powerdown for 100ms after powering up. The delay gives the slow-to-wake peripheral circuit time to re-establish valid RS-232 output levels.



Figure 11. Circuit to Prevent Auto Powerdown for 100ms After Forced Power-Up

The time to recover from automatic powerdown mode is typically 100 μ s.

4.5.3 INVALID Output (Excluding ISL3232E)

The INVALID output always indicates whether or not a valid RS-232 signal (see [Figure 10](#)) is present at any of the receiver inputs (see [Table 5 on page 14](#)), giving you a way to determine when the interface block should power down. Invalid receiver levels occur whenever the driving peripheral's outputs are shut off (powered down) or when the RS-232 interface cable is disconnected. In the case of a disconnected interface cable where all the receiver inputs are floating (but pulled to GND by the internal receiver pull down resistors), the INVALID logic detects the invalid levels and drives the output low. The power management logic then uses this indicator to powerdown the interface block. Reconnecting the cable restores valid levels at the receiver inputs, INVALID switches high, and the power management logic wakes up the interface block. INVALID can also be used to indicate the DTR or RING INDICATOR signal, as long as the other receiver inputs are floating, or driven to GND (as in the case of a powered down driver).

$\overline{\text{INVALID}}$ switches low after invalid levels have persisted on all of the receiver inputs for more than 30 μs (see [Figure 12](#)). $\overline{\text{INVALID}}$ switches back high 1 μs after detecting a valid RS-232 level on a receiver input. $\overline{\text{INVALID}}$ operates in all modes (forced or automatic powerdown, or forced on), so it is also useful for systems employing manual powerdown circuitry. When automatic powerdown is used, $\overline{\text{INVALID}} = 0$ indicates that the ISL4221E and ISL4223E are in powerdown mode.

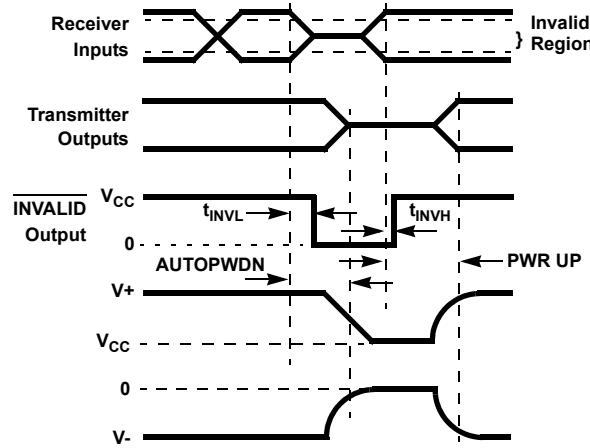


Figure 12. Automatic Powerdown and $\overline{\text{INVALID}}$ Timing Diagrams

4.6 Capacitor Selection

The charge pumps require 0.1 μF , or greater, capacitors for proper operation. Increasing the capacitor values (by a factor of 2) reduces ripple on the transmitter outputs and slightly reduces power consumption.

When using minimum required capacitor values, make sure that capacitor values do not degrade excessively with temperature. If in doubt, use capacitors with a larger nominal value. The capacitor’s Equivalent Series Resistance (ESR) usually rises at low temperatures and it influences the amount of ripple on V+ and V-.

4.7 Power Supply Decoupling

In most circumstances a 0.1 μF bypass capacitor is adequate. In applications that are particularly sensitive to power supply noise, decouple V_{CC} to ground with a capacitor of the same value as the charge-pump capacitor C_1 . Connect the bypass capacitor as close as possible to the IC.

4.8 Transmitter Outputs when Exiting Powerdown

[Figure 13](#) shows the response of two transmitter outputs when exiting powerdown mode. As they activate, the two transmitter outputs properly go to opposite RS-232 levels, with no glitching, ringing, nor undesirable transients. Each transmitter is loaded with 3k Ω in parallel with 2500pF.



Figure 13. Transmitter Outputs When Exiting Powerdown

Note: The transmitters enable only when the magnitude of the supplies exceed approximately 3V.

4.9 Operation Down to 2.7V

ISL4221E, ISL4223E, and ISL3232E transmitter outputs meet RS-562 levels ($\pm 3.7V$), at the full data rate, with V_{CC} as low as 2.7V. RS-562 levels typically ensure interoperability with RS-232 devices.

4.10 High Data Rates

The ISL4221E, ISL4223E, and ISL3232E maintain the RS-232 $\pm 5V$ minimum transmitter output voltages even at high data rates. [Figure 14](#) shows a transmitter loopback test circuit, and [Figure 15](#) shows the loopback test result at 120kbps. For this test, all transmitters were simultaneously driving RS-232 loads in parallel with 1000pF, at 120kbps. [Figure 16](#) shows the loopback results for a single transmitter driving 1000pF and an RS-232 load at 250kbps. The static transmitters were also loaded with an RS-232 receiver.

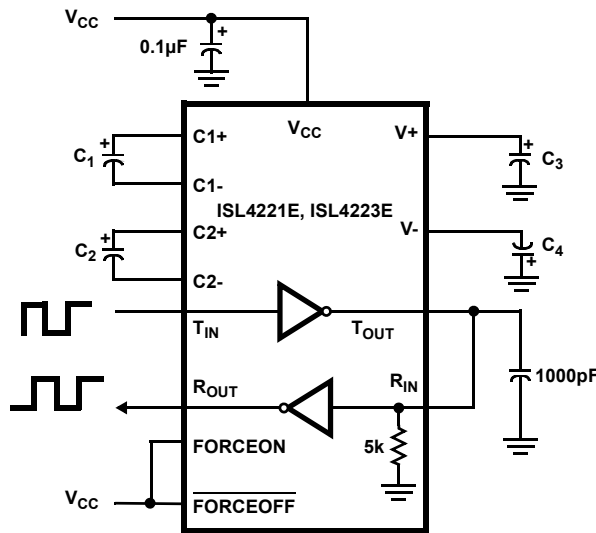


Figure 14. Transmitter Loopback Test Circuit

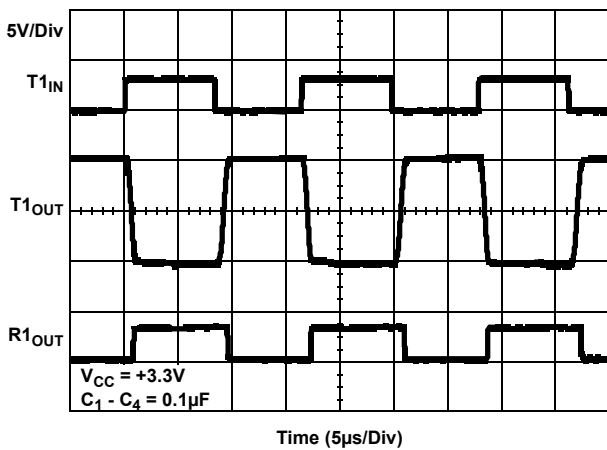


Figure 15. Loopback Test at 120kbps



Figure 16. Loopback Test at 250kbps

4.11 Interconnection with 3V and 5V Logic

The ISL4221E, ISL4223E, and ISL3232E directly interface with 5V CMOS and TTL logic families. Nevertheless, with the ISL4221E, ISL4223E, and ISL3232E at 3.3V, and the logic supply at 5V, AC, HC, and CD4000 outputs can properly drive ISL4221E, ISL4223E, and ISL3232E inputs, but ISL4221E, ISL4223E, and ISL3232E outputs do not reach the minimum V_{IH} for these logic families. See [Table 6](#) for more information.

Table 6. Logic Family Compatibility with Various Supply Voltages

System Power-Supply Voltage (V)	V _{CC} Supply Voltage (V)	Compatibility
3.3	3.3	Compatible with all CMOS families.
5	5	Compatible with all TTL and CMOS logic families.
5	3.3	Compatible with ACT and HCT CMOS, and with TTL. ISL4221E, ISL4223E, and ISL3232E outputs are incompatible with AC, HC, and CD4000 CMOS inputs.

5. ±15kV ESD Protection

All pins on ISL4221E, ISL4223E, and ISL3232E devices include ESD protection structures, but the RS-232 pins (transmitter outputs and receiver inputs) incorporate advanced structures that allow them to survive ESD events up to ±15kV. The RS-232 pins are particularly vulnerable to ESD damage because they typically connect to an exposed port on the exterior of the finished product. Touching the port pins, or connecting a cable, can cause an ESD event that might destroy unprotected ICs. The ESD structures protect the device whether or not it is powered-up, protect without allowing any latchup mechanism to activate, and do not interfere with RS-232 signals as large as ±25V.

5.1 Human Body Model (HBM) Testing

The Human Body Model (HBM) test method emulates the ESD event delivered to an IC during human handling. The tester delivers the charge through a 1.5kΩ current limiting resistor, so the test is less severe than the IEC61000 test, which uses a 330Ω limiting resistor. The HBM method determines an IC's ability to withstand the ESD transients typically present during handling and manufacturing. Due to the random nature of these events, each pin is tested with respect to all other pins. The RS-232 pins on "E" family devices can withstand HBM ESD events to ±15kV.

5.2 IEC61000-4-2 Testing

The IEC61000-4-2 test method applies to finished equipment, rather than to an individual IC. Therefore, the pins most likely to suffer an ESD event are those that are exposed to the outside world (the RS-232 pins in this case), and the IC is tested in its typical application configuration (power applied) rather than testing each pin-to-pin combination. The lower current limiting resistor coupled with the larger charge storage capacitor yields a test that is much more severe than the HBM test. The extra ESD protection built into this device's RS-232 pins allows the design of equipment that meet Level 4 criteria without the need for additional board level protection on the RS-232 port.

5.3 Air-Gap Discharge Test Method

For the air-gap discharge test method, a charged probe tip moves toward the IC pin until the voltage arcs to it. The current waveform delivered to the IC pin depends on factors such as approach speed, humidity, and temperature so it is difficult to obtain repeatable results. The "E" device RS-232 pins withstand ±15kV air-gap discharges.

5.4 Contact Discharge Test Method

During the contact discharge test, the probe contacts the tested pin before the probe tip is energized and eliminates the variables associated with the air-gap discharge. The result is a more repeatable and predictable test, but equipment limits prevent testing devices at voltages higher than ±8kV. All "E" family devices survive ±8kV contact discharges on the RS-232 pins.

6. Die Characteristics

Substrate and QFN Thermal Pad Potential (Powered Up)	GND
Transistor Count	ISL3232E: 296 ISL4221E: 286 ISL4223E: 357
Process	Si Gate CMOS

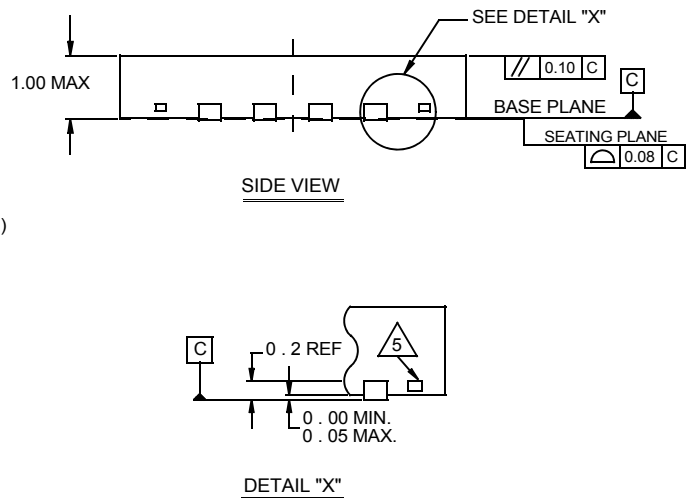
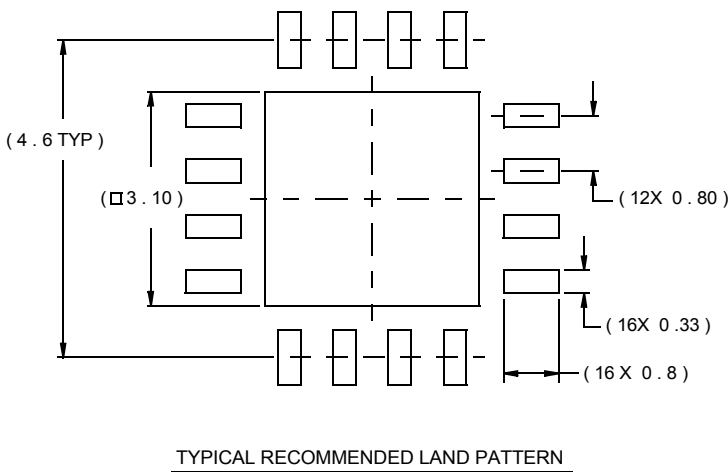
7. Revision History

Rev.	Date	Description
7	May.2.19	Updated to latest formatting. Updated Related Literature section. Updated Ordering information table by adding active tape and reel information, updated notes, adding note 3, and removed retired parts Added "Charge Pump Absolute Maximum Ratings" on page 11. Removed About Intersil section. Added Revision History section. Updated disclaimer.

8. Package Outline Drawings

L16.5x5B
 16 LEAD QUAD FLAT NO-LEAD PLASTIC PACKAGE
 Rev 2, 02/08

For the most recent package outline drawing, see [L16.5x5B](#).



NOTES:

1. Dimensions are in millimeters.
 Dimensions in () for Reference Only.
2. Dimensioning and tolerancing conform to AMSE Y14.5m-1994.
3. Unless otherwise specified, tolerance : Decimal ± 0.05
4. Dimension b applies to the metallized terminal and is measured between 0.15mm and 0.30mm from the terminal tip.
5. Tiebar shown (if present) is a non-functional feature.
6. The configuration of the pin #1 identifier is optional, but must be located within the zone indicated. The pin #1 identifier may be either a mold or mark feature.

For the most recent package outline drawing, see [L20.5x5](#).

L20.5x5
20 Lead Quad Flat No-Lead Plastic Package (QFN)
Micro Lead Frame Plastic Package (MLFP)



SYMBOL	MILLIMETERS			NOTES
	MIN	NOMINAL	MAX	
A	0.80	0.90	1.00	-
A1	-	0.02	0.05	-
A2	-	0.65	1.00	9
A3	0.20 REF			9
b	0.23	0.30	0.38	5, 8
D	5.00 BSC			-
D1	4.75 BSC			9
D2	2.95	3.10	3.25	7, 8
E	5.00 BSC			-
E1	4.75 BSC			9
E2	2.95	3.10	3.25	7, 8
e	0.65 BSC			-
k	0.20	-	-	-
L	0.35	0.60	0.75	8
N	20			2
Nd	5			3
Ne	5			3
P	-	-	0.60	9
θ	-	-	12	9

Rev. 4 11/04

Notes:

1. Dimensioning and tolerancing conform to ASME Y14.5-1994.
2. N is the number of terminals.
3. Nd and Ne refer to the number of terminals on each D and E.
4. All dimensions are in millimeters. Angles are in degrees.
5. Dimension b applies to the metallized terminal and is measured between 0.15mm and 0.30mm from the terminal tip.
6. The configuration of the pin #1 identifier is optional, but must be located within the zone indicated. The pin #1 identifier may be either a mold or mark feature.
7. Dimensions D2 and E2 are for the exposed pads which provide improved electrical and thermal performance.
8. Nominal dimensions are provided to assist with PCB Land Pattern Design efforts, see TB389.
9. Features and dimensions A2, A3, D1, E1, P & θ are present when Anvil singulation method is used and not present for saw singulation.
10. Compliant to JEDEC MO-220VHHC Issue I except for the "b" dimension.

Notice

1. Descriptions of circuits, software and other related information in this document are provided only to illustrate the operation of semiconductor products and application examples. You are fully responsible for the incorporation or any other use of the circuits, software, and information in the design of your product or system. Renesas Electronics disclaims any and all liability for any losses and damages incurred by you or third parties arising from the use of these circuits, software, or information.
2. Renesas Electronics hereby expressly disclaims any warranties against and liability for infringement or any other claims involving patents, copyrights, or other intellectual property rights of third parties, by or arising from the use of Renesas Electronics products or technical information described in this document, including but not limited to, the product data, drawings, charts, programs, algorithms, and application examples.
3. No license, express, implied or otherwise, is granted hereby under any patents, copyrights or other intellectual property rights of Renesas Electronics or others.
4. You shall not alter, modify, copy, or reverse engineer any Renesas Electronics product, whether in whole or in part. Renesas Electronics disclaims any and all liability for any losses or damages incurred by you or third parties arising from such alteration, modification, copying or reverse engineering.
5. Renesas Electronics products are classified according to the following two quality grades: "Standard" and "High Quality". The intended applications for each Renesas Electronics product depends on the product's quality grade, as indicated below.
 - "Standard": Computers; office equipment; communications equipment; test and measurement equipment; audio and visual equipment; home electronic appliances; machine tools; personal electronic equipment; industrial robots; etc.
 - "High Quality": Transportation equipment (automobiles, trains, ships, etc.); traffic control (traffic lights); large-scale communication equipment; key financial terminal systems; safety control equipment; etc.Unless expressly designated as a high reliability product or a product for harsh environments in a Renesas Electronics data sheet or other Renesas Electronics document, Renesas Electronics products are not intended or authorized for use in products or systems that may pose a direct threat to human life or bodily injury (artificial life support devices or systems; surgical implantations; etc.), or may cause serious property damage (space system; undersea repeaters; nuclear power control systems; aircraft control systems; key plant systems; military equipment; etc.). Renesas Electronics disclaims any and all liability for any damages or losses incurred by you or any third parties arising from the use of any Renesas Electronics product that is inconsistent with any Renesas Electronics data sheet, user's manual or other Renesas Electronics document.
6. When using Renesas Electronics products, refer to the latest product information (data sheets, user's manuals, application notes, "General Notes for Handling and Using Semiconductor Devices" in the reliability handbook, etc.), and ensure that usage conditions are within the ranges specified by Renesas Electronics with respect to maximum ratings, operating power supply voltage range, heat dissipation characteristics, installation, etc. Renesas Electronics disclaims any and all liability for any malfunctions, failure or accident arising out of the use of Renesas Electronics products outside of such specified ranges.
7. Although Renesas Electronics endeavors to improve the quality and reliability of Renesas Electronics products, semiconductor products have specific characteristics, such as the occurrence of failure at a certain rate and malfunctions under certain use conditions. Unless designated as a high reliability product or a product for harsh environments in a Renesas Electronics data sheet or other Renesas Electronics document, Renesas Electronics products are not subject to radiation resistance design. You are responsible for implementing safety measures to guard against the possibility of bodily injury, injury or damage caused by fire, and/or danger to the public in the event of a failure or malfunction of Renesas Electronics products, such as safety design for hardware and software, including but not limited to redundancy, fire control and malfunction prevention, appropriate treatment for aging degradation or any other appropriate measures. Because the evaluation of microcomputer software alone is very difficult and impractical, you are responsible for evaluating the safety of the final products or systems manufactured by you.
8. Please contact a Renesas Electronics sales office for details as to environmental matters such as the environmental compatibility of each Renesas Electronics product. You are responsible for carefully and sufficiently investigating applicable laws and regulations that regulate the inclusion or use of controlled substances, including without limitation, the EU RoHS Directive, and using Renesas Electronics products in compliance with all these applicable laws and regulations. Renesas Electronics disclaims any and all liability for damages or losses occurring as a result of your noncompliance with applicable laws and regulations.
9. Renesas Electronics products and technologies shall not be used for or incorporated into any products or systems whose manufacture, use, or sale is prohibited under any applicable domestic or foreign laws or regulations. You shall comply with any applicable export control laws and regulations promulgated and administered by the governments of any countries asserting jurisdiction over the parties or transactions.
10. It is the responsibility of the buyer or distributor of Renesas Electronics products, or any other party who distributes, disposes of, or otherwise sells or transfers the product to a third party, to notify such third party in advance of the contents and conditions set forth in this document.
11. This document shall not be reprinted, reproduced or duplicated in any form, in whole or in part, without prior written consent of Renesas Electronics.
12. Please contact a Renesas Electronics sales office if you have any questions regarding the information contained in this document or Renesas Electronics products.

(Note1) "Renesas Electronics" as used in this document means Renesas Electronics Corporation and also includes its directly or indirectly controlled subsidiaries.

(Note2) "Renesas Electronics product(s)" means any product developed or manufactured by or for Renesas Electronics.

(Rev.4.0-1 November 2017)

Corporate Headquarters

TOYOSU FORESIA, 3-2-24 Toyosu,
Koto-ku, Tokyo 135-0061, Japan
www.renesas.com

Contact Information

For further information on a product, technology, the most up-to-date version of a document, or your nearest sales office, please visit:
www.renesas.com/contact/

Trademarks

Renesas and the Renesas logo are trademarks of Renesas Electronics Corporation. All trademarks and registered trademarks are the property of their respective owners.

Компания «Life Electronics» занимается поставками электронных компонентов импортного и отечественного производства от производителей и со складов крупных дистрибьюторов Европы, Америки и Азии.

С конца 2013 года компания активно расширяет линейку поставок компонентов по направлению коаксиальный кабель, кварцевые генераторы и конденсаторы (керамические, пленочные, электролитические), за счёт заключения дистрибьюторских договоров

Мы предлагаем:

- Конкуренеспособные цены и скидки постоянным клиентам.
- Специальные условия для постоянных клиентов.
- Подбор аналогов.
- Поставку компонентов в любых объемах, удовлетворяющих вашим потребностям.
- Приемлемые сроки поставки, возможна ускоренная поставка.
- Доставку товара в любую точку России и стран СНГ.
- Комплексную поставку.
- Работу по проектам и поставку образцов.
- Формирование склада под заказчика.
- Сертификаты соответствия на поставляемую продукцию (по желанию клиента).
- Тестирование поставляемой продукции.
- Поставку компонентов, требующих военную и космическую приемку.
- Входной контроль качества.
- Наличие сертификата ISO.

В составе нашей компании организован Конструкторский отдел, призванный помогать разработчикам, и инженерам.

Конструкторский отдел помогает осуществить:

- Регистрацию проекта у производителя компонентов.
- Техническую поддержку проекта.
- Защиту от снятия компонента с производства.
- Оценку стоимости проекта по компонентам.
- Изготовление тестовой платы монтаж и пусконаладочные работы.



Тел: +7 (812) 336 43 04 (многоканальный)

Email: org@lifeelectronics.ru