

High-Voltage, 350mA, High-Brightness LED Driver with PWM Dimming and 5V Regulator

General Description

The MAX16803 current regulator operates from a 6.5V to 40V input-voltage range and delivers up to a total of 350mA to one or more strings of high-brightness LEDs (HB LEDs). The output current of the MAX16803 is adjusted by using an external current-sense resistor in series with the LEDs. A dimming input allows wide-range “pulsed” PWM operation. Wave-shaping circuitry reduces EMI. The differential current-sense input increases noise immunity. The MAX16803 is well suited for applications requiring high-voltage input and is able to withstand automotive load-dump events up to 40V. An on-board pass element minimizes external components while providing $\pm 3.5\%$ output-current accuracy. Additional features include a 5V regulated output and short-circuit and thermal protection.

The MAX16803 is available in a thermally enhanced, 5mm x 5mm, 16-pin TQFN package and is specified over the automotive -40°C to $+125^{\circ}\text{C}$ temperature range.

Applications

Automotive Interior: Map, Courtesy, and Cluster Lighting

Automotive Exterior: Rear Combination Lights (RCLs)

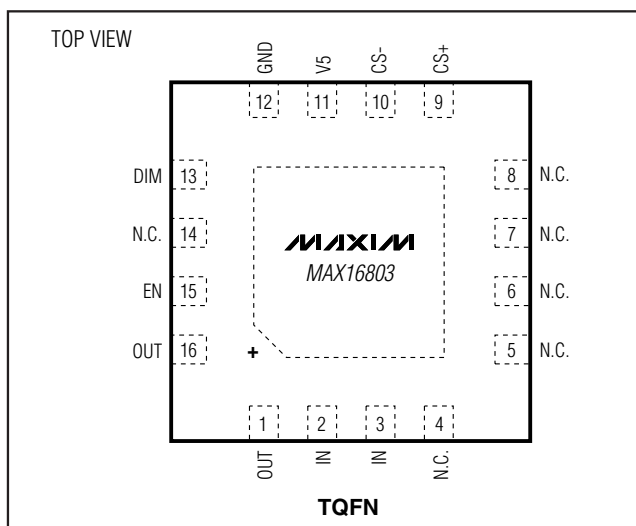
Emergency Vehicle Warning Lights

Navigation and Marine Indicators

General Lighting

Signage, Gasoline Canopies, Beacons

Pin Configuration



Features

- ◆ +6.5V to +40V Operating Range
- ◆ Adjustable LED Current (35mA to 350mA)
- ◆ $\pm 3.5\%$ LED Current Accuracy
- ◆ High-Voltage DIM Pin for Dimming Interface
- ◆ Integrated Pass Element with Low-Dropout Voltage (0.5V typ)
- ◆ +5V Regulated Output with 4mA Source Capability
- ◆ Parallel Operation for LED Current > 350mA
- ◆ Differential LED Current Sense
- ◆ Low Shutdown Supply Current (12 μA typ)
- ◆ Low 204mV Current-Sense Reference Reduces Power Losses
- ◆ Wave-Shaped Edges Reduce Radiated EMI During PWM Dimming
- ◆ Thermal Shutdown
- ◆ Output Short-Circuit Protection
- ◆ Available in Small, Thermally Enhanced, 5mm x 5mm, 16-Pin TQFN Package
- ◆ -40°C to $+125^{\circ}\text{C}$ Operating Temperature Range

Ordering Information

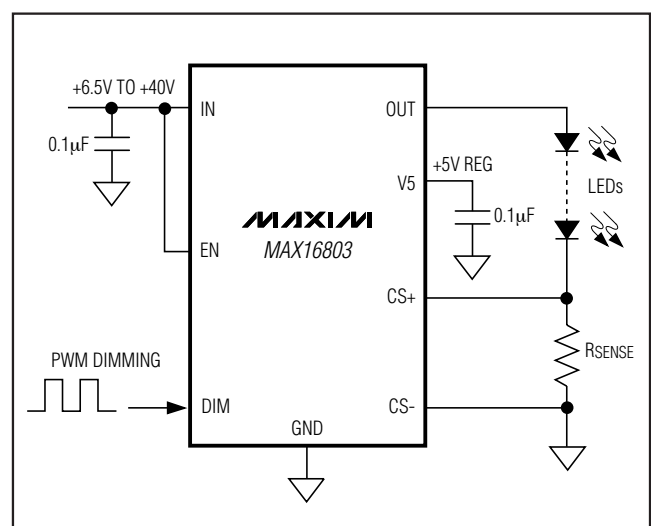
PART	TEMP RANGE	PIN-PACKAGE
MAX16803ATE+	-40°C to $+125^{\circ}\text{C}$	16 TQFN-EP*
MAX16803ATE/V+	-40°C to $+125^{\circ}\text{C}$	16 TQFN-EP*

+Denotes a lead(Pb)-free/RoHS-compliant package.

*EP = Exposed pad.

V denotes an automotive qualified part.

Simplified Diagram



High-Voltage, 350mA, High-Brightness LED Driver with PWM Dimming and 5V Regulator

ABSOLUTE MAXIMUM RATINGS

IN, OUT, DIM, and EN to GND-0.3V to +45V
 CS+, CS-, V5 to GND-0.3V to +6V
 OUT Short Circuited to GND Duration
 (at $V_{IN} = +16V$)60 minutes
 Maximum Current Into Any Pin (except IN and OUT)..... $\pm 20mA$
 Continuous Power Dissipation ($T_A = +70^\circ C$)
 16-Pin TQFN (derate 33.3mW/ $^\circ C$ above $+70^\circ C$)2666.7mW

Operating Junction Temperature Range..... $-40^\circ C$ to $+125^\circ C$
 Junction Temperature..... $+150^\circ C$
 Storage Temperature Range $-65^\circ C$ to $+150^\circ C$
 Lead Temperature (soldering, 10s)..... $+300^\circ C$

Stresses beyond those listed under "Absolute Maximum Ratings" may cause permanent damage to the device. These are stress ratings only, and functional operation of the device at these or any other conditions beyond those indicated in the operational sections of the specifications is not implied. Exposure to absolute maximum rating conditions for extended periods may affect device reliability.

ELECTRICAL CHARACTERISTICS

($V_{IN} = V_{EN} = +12V$, $C_{V5} = 0.1\mu F$ to GND, $I_{V5} = 0$, $V_{CS-} = 0V$, $V_{DIM} = +4V$, connect $R_{SENSE} = 0.58\Omega$ between CS+ and CS- (Note 1). $T_J = -40^\circ C$ to $+125^\circ C$, unless otherwise noted. Typical values are at $T_A = +25^\circ C$.) (Note 1)

PARAMETER	SYMBOL	CONDITIONS	MIN	TYP	MAX	UNITS
Supply Voltage Range	V_{IN}	(Note 2)	6.5		40.0	V
Ground Current	I_G	$I_{LOAD} = 350mA$		1.4	3	mA
Shutdown Supply Current	I_{SHDN}	$V_{EN} \leq 0.6V$		12	40	μA
Guaranteed Output Current	I_{OUT}	$R_{SENSE} = 0.55\Omega$	350			mA
Output Current Accuracy		$35mA < I_{OUT} < 350mA$		± 3.5		%
Dropout Voltage (Note 3)	ΔV_{DO}	$I_{OUT} = 350mA$ (current pulsed), $12V < V_{IN} < 40V$		0.5	1.2	V
		$I_{OUT} = 350mA$ (current pulsed), $6.5V < V_{IN} < 12V$		0.5	1.5	
Output Current Slew Rate		Current rising, DIM rising to 4V		17		mA/ μs
		Current falling, DIM falling to 0.6V		17		
Short-Circuit Current		$V_{OUT} = 0V$, $V_{IN} = 12V$	400	600	800	mA
LOGIC INPUT						
EN Input Current	I_{EN}				100	nA
EN Input Voltage High	V_{IH}		2.8			V
EN Input Voltage Low	V_{IL}				0.6	V
Turn-On Time	t_{ON}	EN rising edge to 90% of OUT		80		μs
CURRENT SENSE (Note 4)						
Regulated R_{SENSE} Voltage	V_{RSNS}	$V_{SENSE} = V_{CS+} - V_{CS-}$	196	203	210	mV
CS- Voltage Range			-0.3		+4.1	V
Input Current (CS+)		$V_{CS+} = 220mV$			+14	μA
Input Current (CS-)		$V_{CS+} = 220mV$	-84			μA
DIM Input Current					1	μA
DIM Input Voltage High	V_{IH}		4			V
DIM Input Voltage Low	V_{IL}				0.6	V
Turn-On Time	t_{ON}	After DIM rising to 4V (Note 5)			52	μs
Turn-Off Time	t_{OFF}	After DIM falling to 0.6V (Note 5)			38	μs

High-Voltage, 350mA, High-Brightness LED Driver with PWM Dimming and 5V Regulator

ELECTRICAL CHARACTERISTICS (continued)

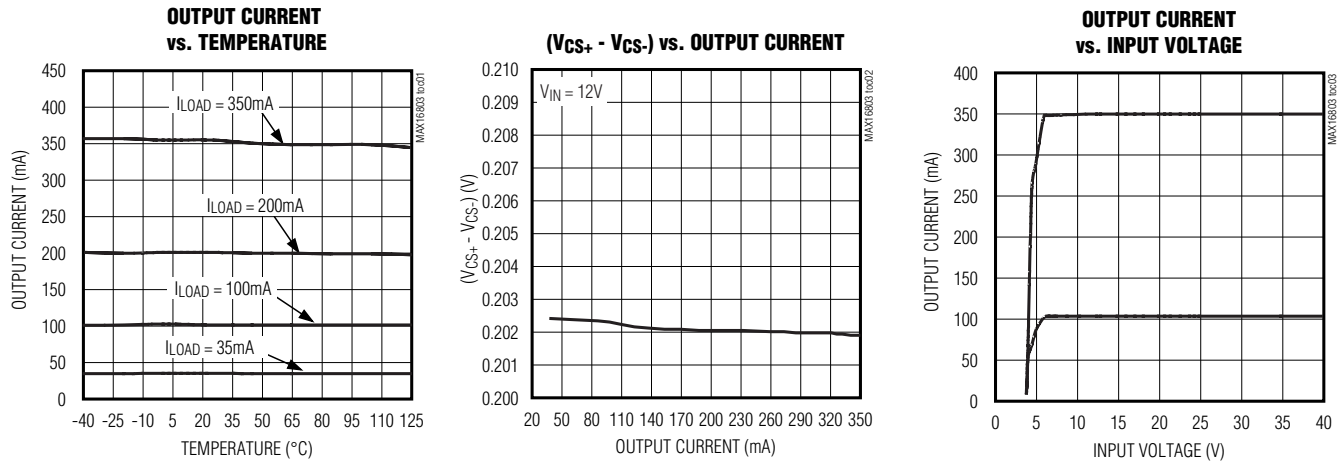
($V_{IN} = V_{EN} = +12V$, $C_{V5} = 0.1\mu F$ to GND, $I_{V5} = 0$, $V_{CS-} = 0V$, $V_{DIM} = +4V$, connect $R_{SENSE} = 0.58\Omega$ between $CS+$ and $CS-$ (Note 1). $T_J = -40^\circ C$ to $+125^\circ C$, unless otherwise noted. Typical values are at $T_A = +25^\circ C$.) (Note 1)

PARAMETER	SYMBOL	CONDITIONS	MIN	TYP	MAX	UNITS
THERMAL OVERLOAD						
Thermal-Shutdown Temperature				+155		$^\circ C$
Thermal-Shutdown Hysteresis				23		$^\circ C$
+5V REGULATOR						
Output Voltage Regulation	V5	(Note 6)	5.0	5.27	5.5	V
V5 Short-Circuit Current		$V5 = 0V$ (Note 7)		16		mA

- Note 1:** All devices 100% production tested at $T_A = +25^\circ C$. Limits over the operating temperature range are guaranteed by design.
- Note 2:** Resistors were added from OUT to $CS+$ to aid with the power dissipation during testing.
- Note 3:** Dropout is measured as follows:
Connect $R_O = 27\Omega$ from OUT to $CS+$. Connect $R_{SENSE} = 0.58\Omega$ from $CS+$ to $CS-$. Set $V_{IN} = +12V$ (record V_{OUT} as V_{OUT1}). Reduce V_{IN} until $V_{OUT} = 0.97 \times V_{OUT1}$ (record as V_{IN2} and V_{OUT2}). $\Delta V_{DO} = V_{IN2} - V_{OUT2}$.
- Note 4:** $I_{V5} = 0mA$.
- Note 5:** t_{ON} time includes the delay and the rise time needed for I_{OUT} to reach 90% of its final value. t_{OFF} time is the time needed for I_{OUT} to drop below 10%. See the *Typical Operating Characteristics*. t_{ON} and t_{OFF} are tested with 13Ω from OUT to $CS+$.
- Note 6:** Current regulation varies with V5 load (see the *Typical Operating Characteristics*).
- Note 7:** Thermal shutdown does not function if the output of the 5V reference is shorted to ground.

Typical Operating Characteristics

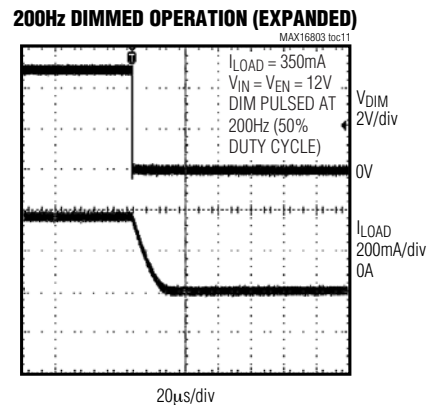
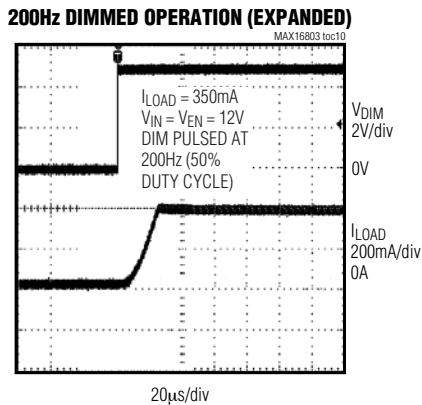
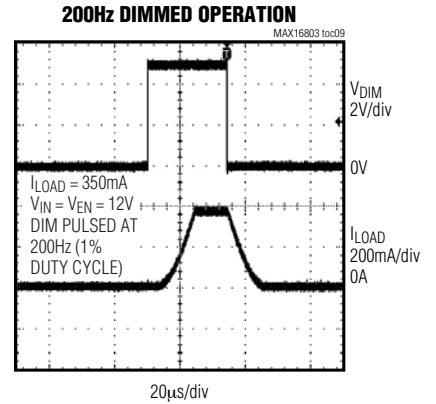
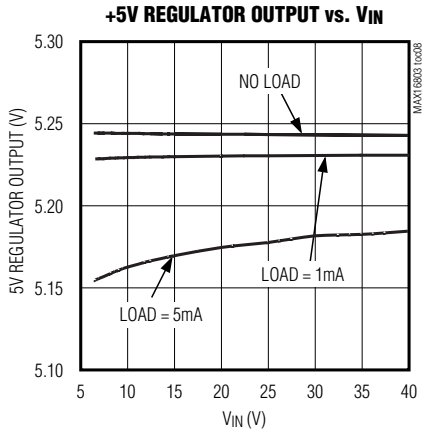
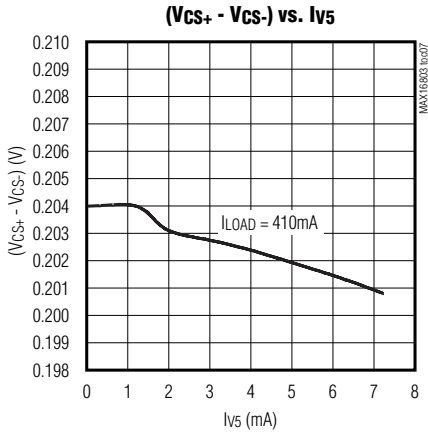
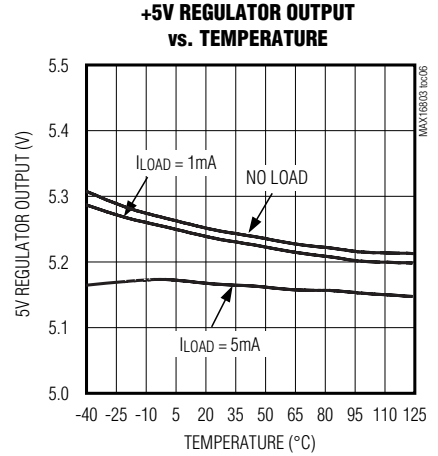
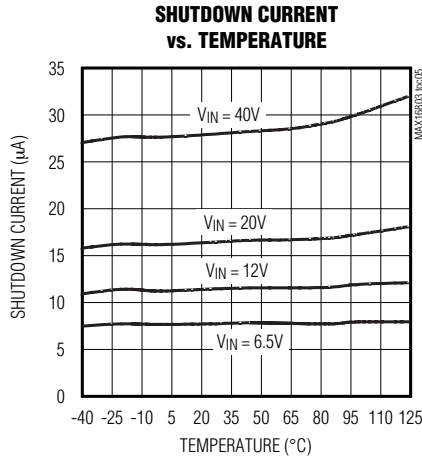
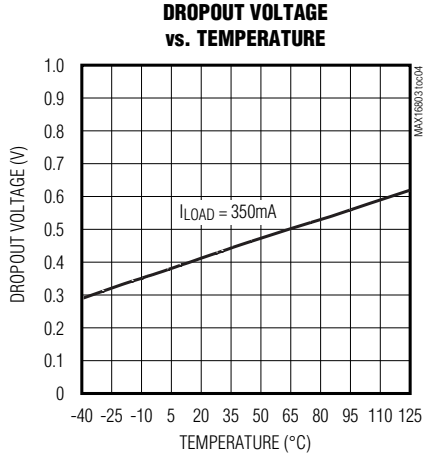
($V_{IN} = V_{EN} = +12V$, $T_A = +25^\circ C$, unless otherwise noted.)



High-Voltage, 350mA, High-Brightness LED Driver with PWM Dimming and 5V Regulator

Typical Operating Characteristics (continued)

($V_{IN} = V_{EN} = +12V$, $T_A = +25^\circ C$, unless otherwise noted.)

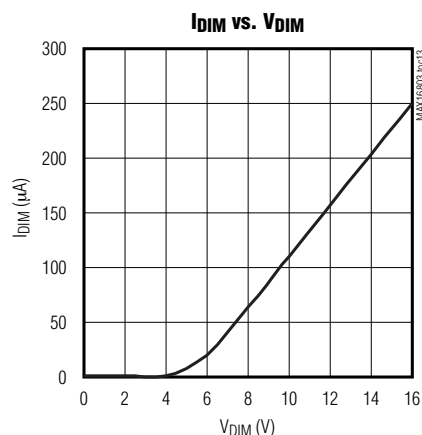
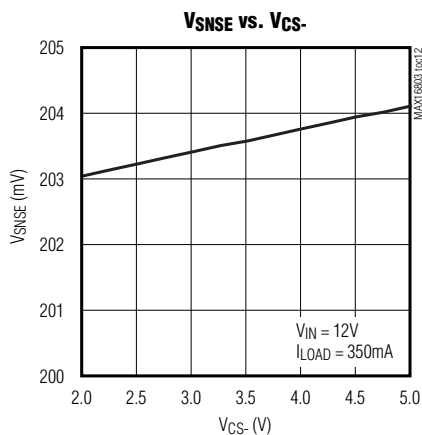


High-Voltage, 350mA, High-Brightness LED Driver with PWM Dimming and 5V Regulator

MAX16803

Typical Operating Characteristics (continued)

($V_{IN} = V_{EN} = +12V$, $T_A = +25^\circ C$, unless otherwise noted.)

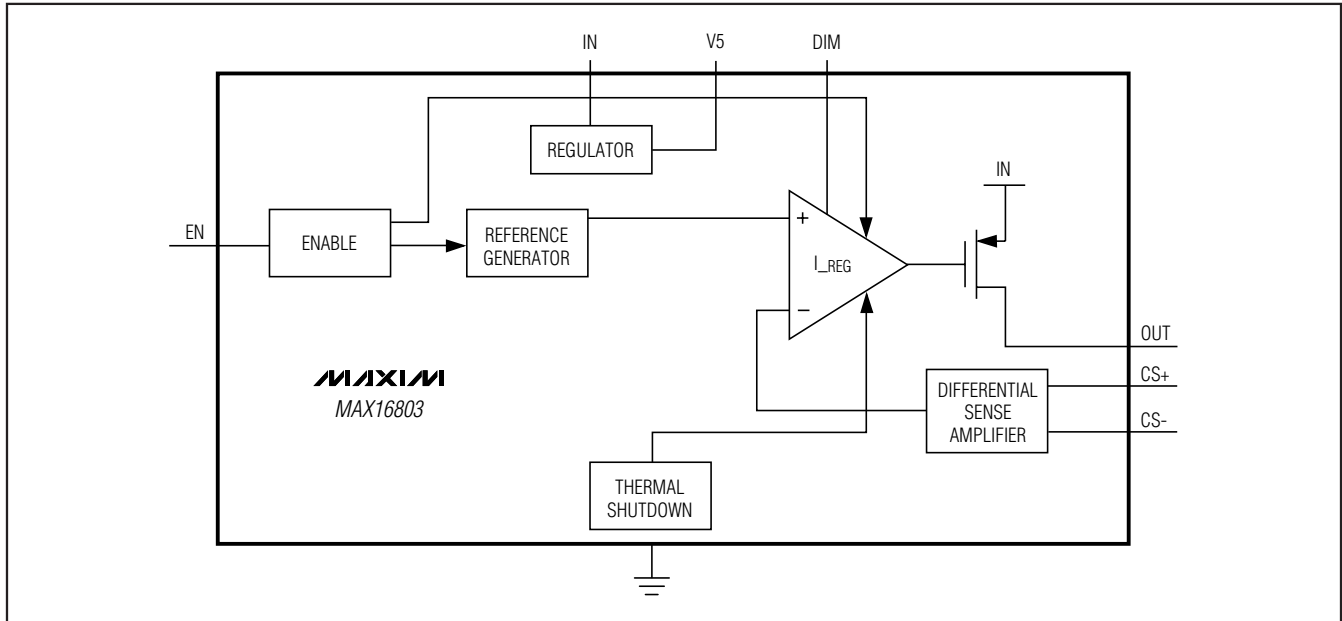


Pin Description

PIN	NAME	FUNCTION
1, 16	OUT	Current-Regulated Output. Connect pin 1 to pin 16.
2, 3	IN	Positive Input Supply. Bypass IN with a 0.1µF (min) capacitor to GND. Connect pin 2 to pin 3.
4–8, 14	N.C.	Not Internally Connected
9	CS+	Positive Input of the Internal Differential Amplifier. Connect the current-sense resistor between CS+ and CS- to program the output current level.
10	CS-	Negative Input of the Internal Differential Amplifier. Connect the current-sense resistor between CS- and CS+ to program the output current level.
11	V5	+5V Regulated Output. Connect a 0.1µF capacitor from V5 to GND.
12	GND	Ground
13	DIM	Pulsed Dimming Input. Drive DIM low to disable the output. Drive DIM high to enable the output. Must not be left unconnected.
15	EN	Enable Input. Drive EN high to enable the output.
—	EP	Exposed Pad. Connect to the ground plane for effective power dissipation. Do not use as the only ground connection.

High-Voltage, 350mA, High-Brightness LED Driver with PWM Dimming and 5V Regulator

Functional Diagram



Detailed Description

The MAX16803 is a high-current regulator capable of providing up to a total of 350mA of current to one or more strings of HB LEDs. A wide operating input voltage range of +6.5V to +40V makes the MAX16803 ideal for automotive applications. A +5V regulated output provides up to 4mA of current to power external circuitry. In addition, the MAX16803 features thermal and output short-circuit protection. The wide operating voltage range helps protect the MAX16803 against large transients such as those found in load-dump situations up to 40V.

The MAX16803 uses a feedback loop to control the output current. The differential voltage across the sense resistor is compared to a fixed reference voltage, and the error is amplified to serve as the drive to the internal power series pass device (see the *Functional Diagram*). The regulation point is factory-set at $(V_{CS+} - V_{CS-}) = 203\text{mV} \pm 3.5\%$. The regulated current is user defined by the value of R_{SENSE} .

The MAX16803 is a current controller internally optimized for driving the impedance range expected from one or more HB LEDs.

+5V Regulator

The MAX16803 includes a fixed +5V output regulator that delivers up to 4mA of load current throughout the +6.5V to +40V input voltage range. Connect a 0.1 μF compensation capacitor from V5 to ground. Shorting V5 to ground disables the thermal shutdown. When EN is low, V5 is off. V5 stays on during PWM dimming.

Thermal Protection

The MAX16803 enters a thermal-shutdown mode in the event of overheating. This typically occurs in overload or output short-circuit conditions. If the junction temperature exceeds $T_J = +155^\circ\text{C}$ (typ), the internal thermal-protection circuitry turns off the series pass device. The MAX16803 recovers from thermal-shutdown mode once the junction temperature drops by 23°C (typ). The part therefore protects itself by thermally cycling in the event of a short-circuit or overload condition.

Applications Information

Programming the LED Current

The MAX16803 uses a sense resistor across CS+ and CS- to set the LED current. The differential sense amplifier connected across R_{SENSE} provides ground-loop immunity and low-frequency noise rejection. The LED current is given by

$$I_{LED} = V_{SENSE} / R_{SENSE}$$

High-Voltage, 350mA, High-Brightness LED Driver with PWM Dimming and 5V Regulator

Input-Voltage Considerations

For proper operation, the minimum input voltage must always be:

$$V_{IN(MIN)} \geq V_{RSENSE(MAX)} + V_{FT(MAX)} + \Delta V_{DO(MAX)}$$

where $V_{FT(MAX)}$ is the total forward voltage of all series connected LEDs. The minimum operating voltage of the device is +6.5V. The device operates below +6.5V; however, output current may not meet the full regulation specification (see the *Typical Operating Characteristics*).

Low-Frequency PWM Dimming at the Output

The MAX16803 provides pulsed or chopped current dimming input (DIM). The other method is to connect DIM to V5 and EN to IN and pulse EN. Both methods generate a regulated-amplitude PWM current (variable duty cycle) that can provide control over the LED brightness (see Figures 1 and 2).

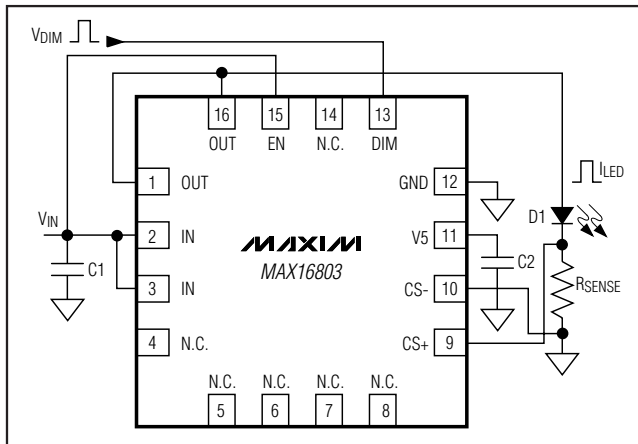


Figure 1. Dimming with EN Connected to V_{IN} at a Constant Voltage and DIM Pulsed

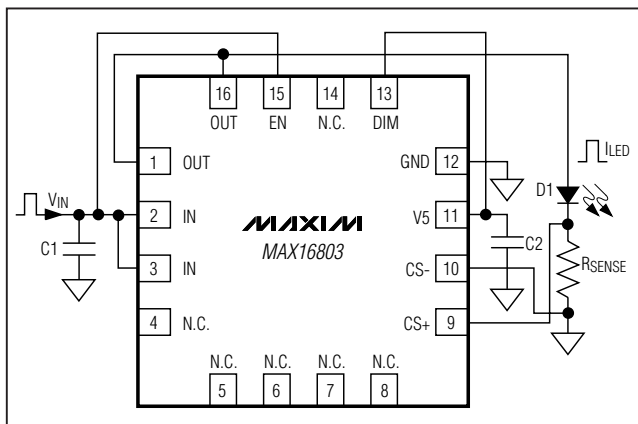


Figure 2. Dimming with DIM Connected to V5, EN Connected to V_{IN}

Paralleling Multiple MAX16803s to Drive One High-Power LED

For applications that require more than 350mA of LED current, two or more MAX16803s can be paralleled (see Figure 3). V_{CS-} should not exceed 4.1V.

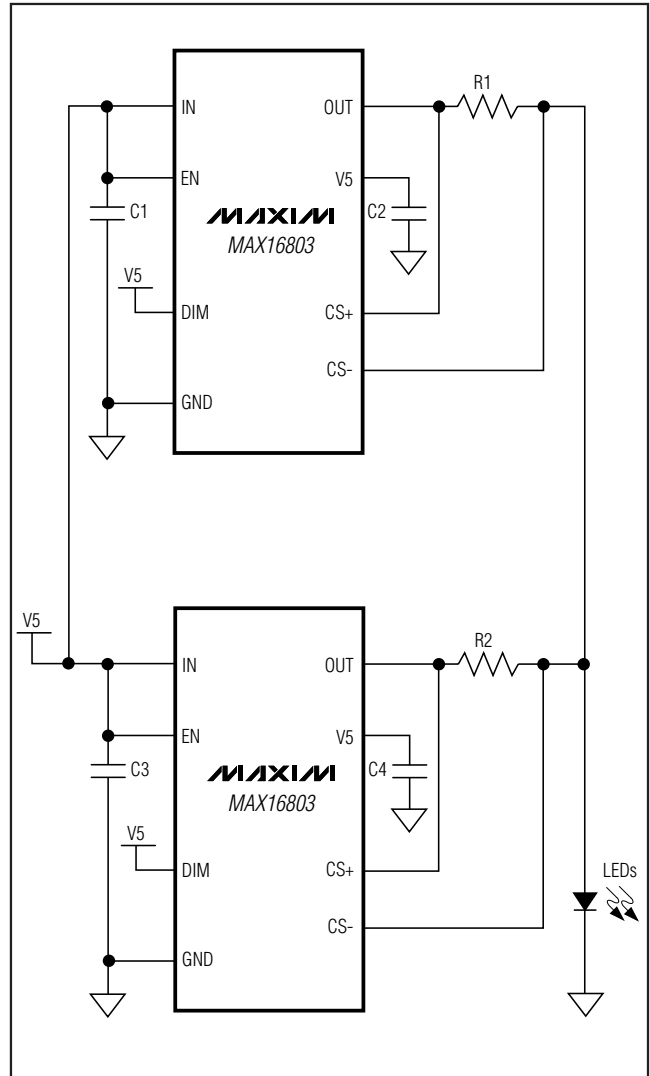


Figure 3. Paralleling MAX16803s

High-Voltage, 350mA, High-Brightness LED Driver with PWM Dimming and 5V Regulator

Two Brightness Levels for TAIL/STOP Lights

Figure 4 shows PWM dimming operation for the MAX16803 with an ICM7555 timer. The ICM7555 provides adjustable duty cycle using two external resistors and a capacitor. In TAIL operation, the output of the ICM7555 feeds into DIM and lights up the LEDs. The LED's brightness depends on the duty cycle of the ICM7555. When V_{STOP} is present, DIM is pulled up to V_{STOP}. The PWM dimming operation is disabled and the LEDs light up to full brightness. See the ICM7555 data sheet for formulas to calculate the dimming frequency and the duty cycle.

LED Current Thermal Foldback

With a minimum number of external components, the MAX16803 provides LED current thermal foldback using a negative temperature coefficient (NTC) thermistor. Figure 5 shows a thermistor connected to V5 and the CS+ of the MAX16803. As the temperature increases, the voltage drop across R2 increases causing the LED current to decrease.

$$I_{LED} = [V_{SENSE} - [R2 / (R2 + RT)] \times V5] / R1$$

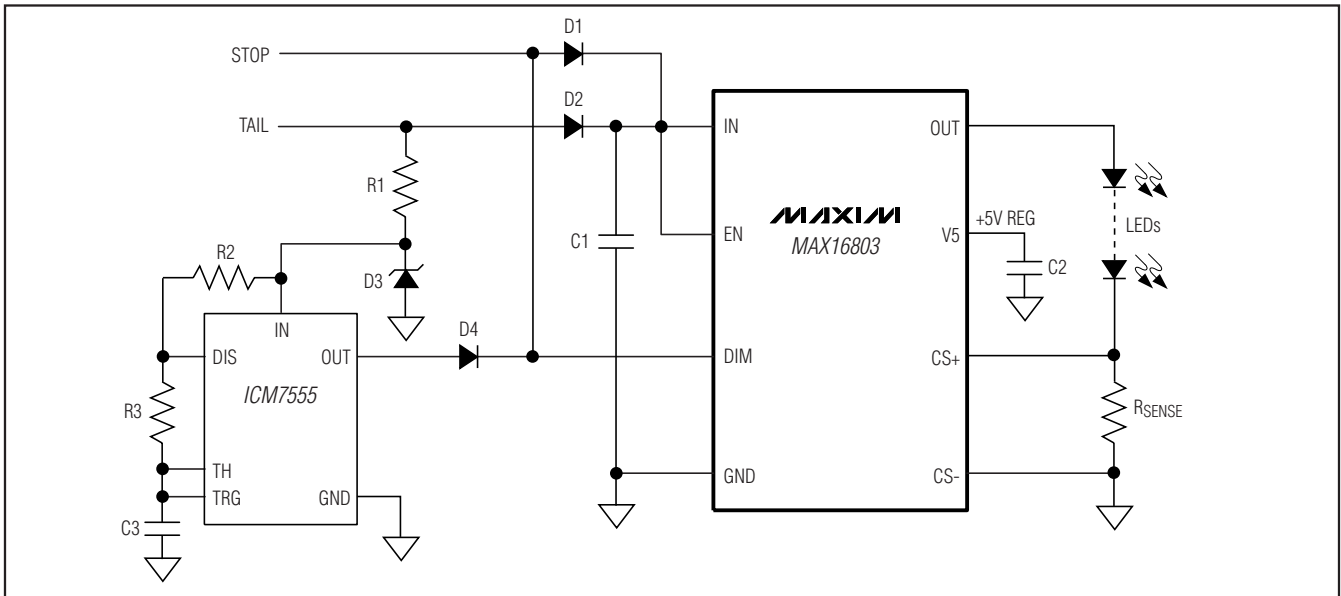


Figure 4. PWM Dimming Operation with ICM7555 Timer

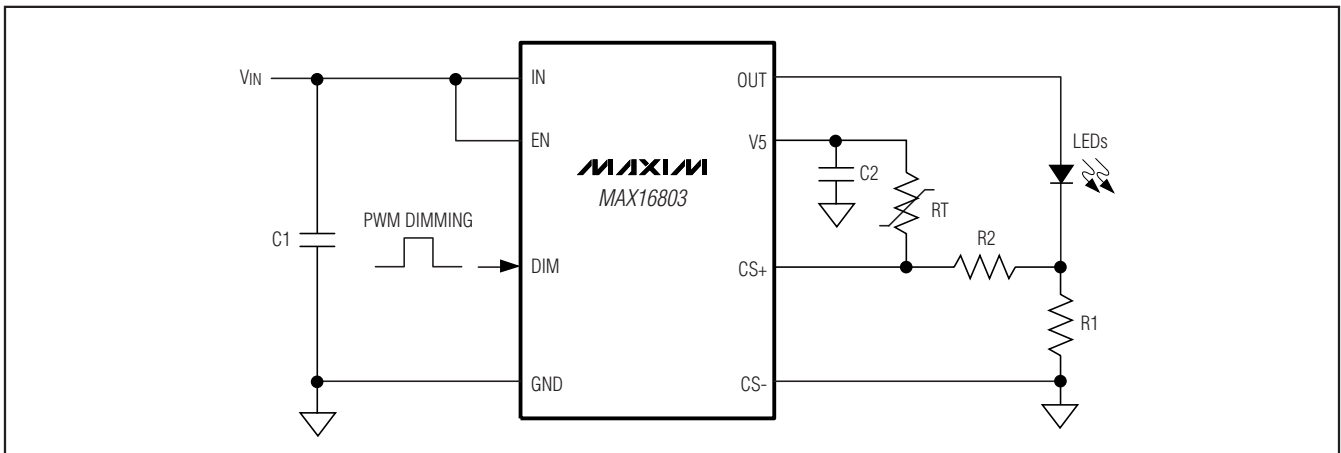


Figure 5. LED Current Thermal Foldback with an NTC Thermistor

High-Voltage, 350mA, High-Brightness LED Driver with PWM Dimming and 5V Regulator

Other Applications

The application circuit in Figure 6 implements a two-level brightness current for TAIL/STOP lights. In TAIL operation, Q1 is off and the R1 sets the output current. In STOP operation, Q1 turns on and the output current is set by a parallel combination of R1 and R2.

Figure 7 shows an application circuit with the MAX16803 using a single BJT to provide high output current. For proper operation:

$$V_{IN(MIN)} > V_{CESAT(MAX)} + V_{FT(MAX)} + V_{RSENSE}$$

where $V_{CESAT(MAX)}$ is the maximum saturation voltage of the external BJT.

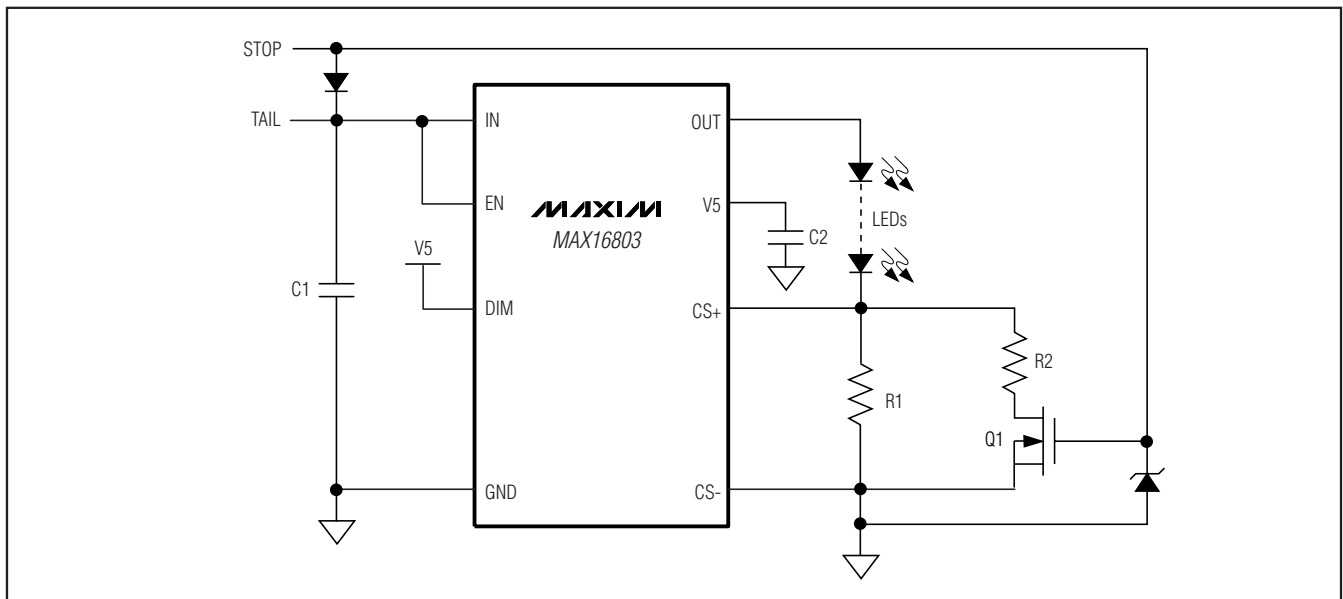


Figure 6. Two Brightness Level with Current Level Switch for Tail/Stop Lights

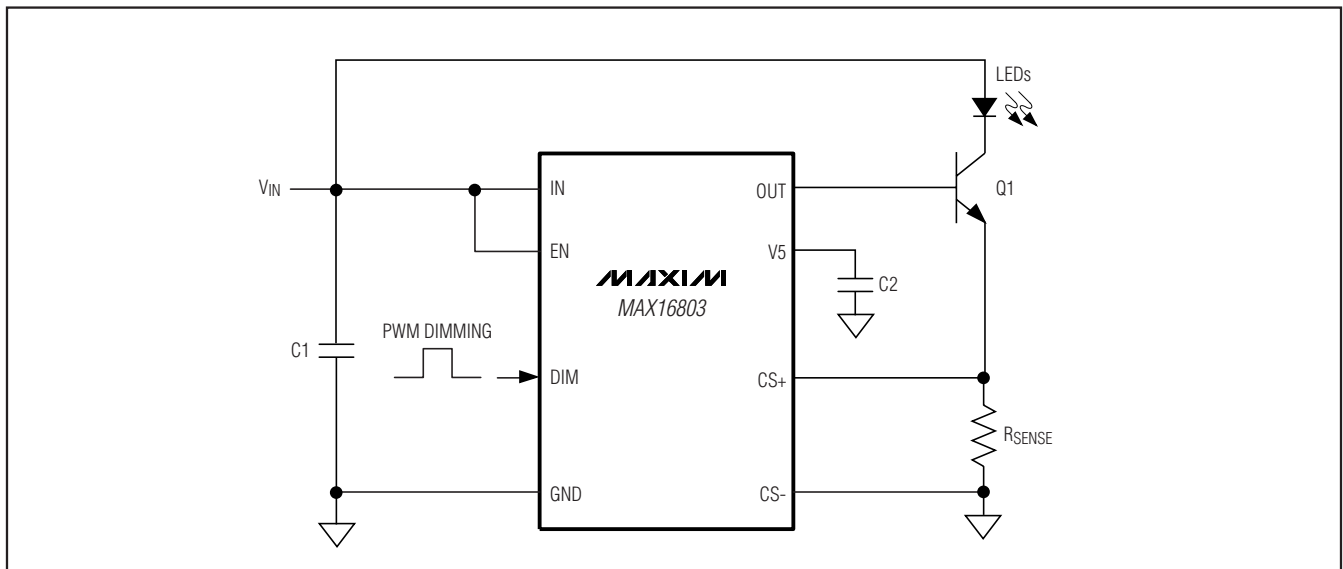


Figure 7. Increased LED Current (Ampere Range) with a Single BJT

High-Voltage, 350mA, High-Brightness LED Driver with PWM Dimming and 5V Regulator

Multichannel HB LED Driver

Figure 8 shows an array of MAX16803s with independent DIM control. The MAX5094C, a current-mode PWM controller, provides the input power to each LED driver pre-regulated voltage to multiple MAX16803 drivers.

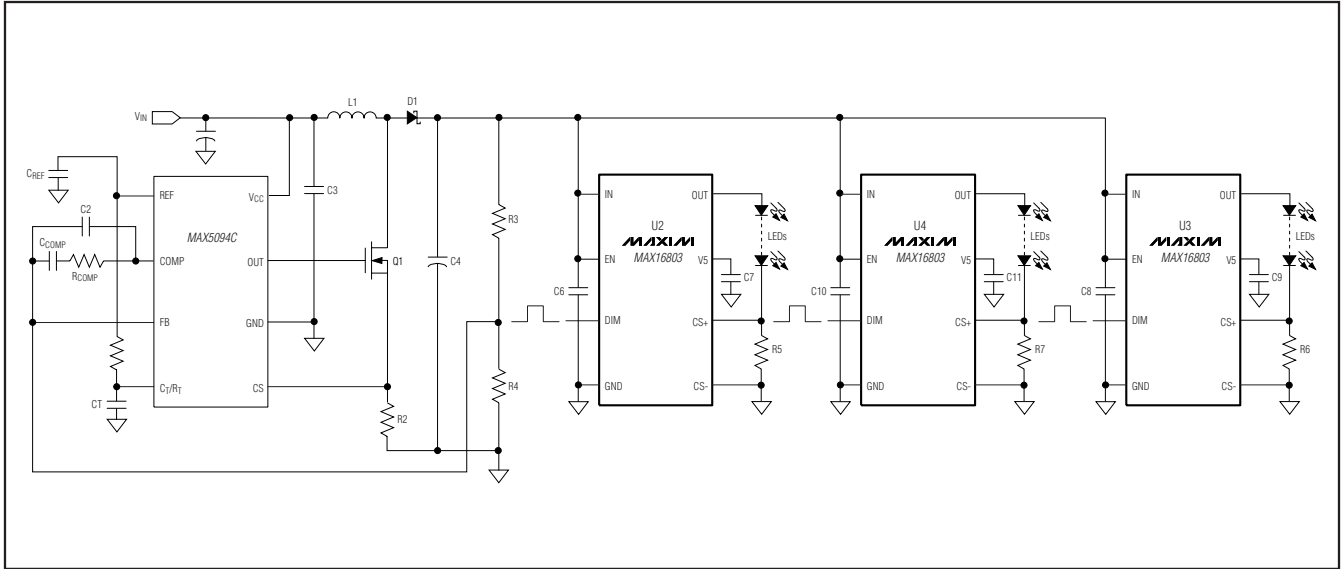
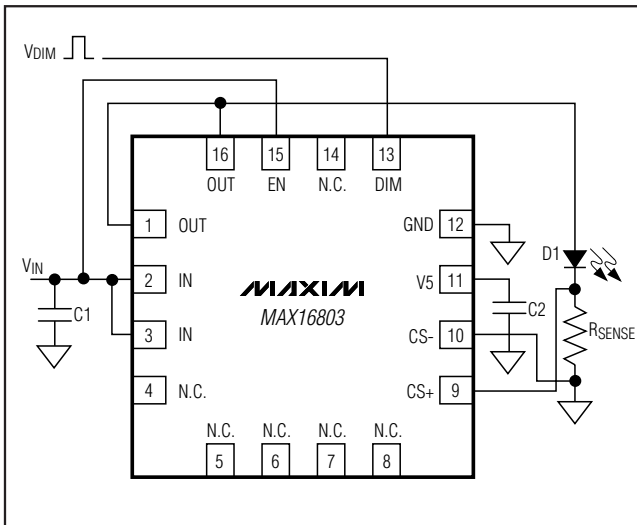


Figure 8. Multichannel HB LED Driver for LCD Backlight

Typical Operating Circuit



Chip Information

PROCESS: BiCMOS

Package Information

For the latest package outline information and land patterns, go to www.maxim-ic.com/packages.

PACKAGE TYPE	PACKAGE CODE	DOCUMENT NO.
16 TQFN-EP	T1655-3	21-0140

High-Voltage, 350mA, High-Brightness LED Driver with PWM Dimming and 5V Regulator

Revision History

REVISION NUMBER	REVISION DATE	DESCRIPTION	PAGES CHANGED
0	5/06	Initial release	—
1	4/09	Updated <i>Ordering Information</i> table and added <i>Package Information</i> table.	1, 10

MAX16803

Maxim cannot assume responsibility for use of any circuitry other than circuitry entirely embodied in a Maxim product. No circuit patent licenses are implied. Maxim reserves the right to change the circuitry and specifications without notice at any time.

Maxim Integrated Products, 120 San Gabriel Drive, Sunnyvale, CA 94086 408-737-7600 _____ 11

Компания «Life Electronics» занимается поставками электронных компонентов импортного и отечественного производства от производителей и со складов крупных дистрибьюторов Европы, Америки и Азии.

С конца 2013 года компания активно расширяет линейку поставок компонентов по направлению коаксиальный кабель, кварцевые генераторы и конденсаторы (керамические, пленочные, электролитические), за счёт заключения дистрибьюторских договоров

Мы предлагаем:

- Конкуренеспособные цены и скидки постоянным клиентам.
- Специальные условия для постоянных клиентов.
- Подбор аналогов.
- Поставку компонентов в любых объемах, удовлетворяющих вашим потребностям.
- Приемлемые сроки поставки, возможна ускоренная поставка.
- Доставку товара в любую точку России и стран СНГ.
- Комплексную поставку.
- Работу по проектам и поставку образцов.
- Формирование склада под заказчика.
- Сертификаты соответствия на поставляемую продукцию (по желанию клиента).
- Тестирование поставляемой продукции.
- Поставку компонентов, требующих военную и космическую приемку.
- Входной контроль качества.
- Наличие сертификата ISO.

В составе нашей компании организован Конструкторский отдел, призванный помогать разработчикам, и инженерам.

Конструкторский отдел помогает осуществить:

- Регистрацию проекта у производителя компонентов.
- Техническую поддержку проекта.
- Защиту от снятия компонента с производства.
- Оценку стоимости проекта по компонентам.
- Изготовление тестовой платы монтаж и пусконаладочные работы.



Тел: +7 (812) 336 43 04 (многоканальный)

Email: org@lifeelectronics.ru