

## Extension module - PLC-V8C/SC-24DC/EM - 2903095

Please be informed that the data shown in this PDF Document is generated from our Online Catalog. Please find the complete data in the user's documentation. Our General Terms of Use for Downloads are valid (<http://phoenixcontact.com/download>)



PLC logic extension logic module with 16 I/Os for plug-in connection to 8 PLC-INTERFACE terminal blocks for extending the basic module (a maximum of two extension modules can be connected to a basic module), screw connection

### Product Features



### Key commercial data

|                                      |           |
|--------------------------------------|-----------|
| Packing unit                         | 1 pc      |
| Weight per Piece (excluding packing) | 140.0 GRM |
| Custom tariff number                 | 85389099  |
| Country of origin                    | Germany   |

### Technical data

#### Note

|                         |   |
|-------------------------|---|
| Utilization restriction | EMC: class A product, see manufacturer's declaration in the download area |
|-------------------------|---|

#### Power supply

|                                |                                      |
|--------------------------------|--------------------------------------|
| Supply voltage                 | 24 V DC                              |
| Supply voltage range           | 19.2 V DC ... 26.4 V DC              |
| Maximum input current at $U_N$ | 65 mA                                |
| Protective circuit             | Protection against polarity reversal |
|                                | Surge protection                     |
| Status display                 | Green LED                            |

#### Input data (digital)

|                          |                              |
|--------------------------|------------------------------|
| Number of inputs         | 8 (2 configurable as analog) |
| Description of the input | EN 61131-2, type 3           |
| Input voltage            | 24 V DC                      |

## Extension module - PLC-V8C/SC-24DC/EM - 2903095

### Technical data

#### Input data (digital)

|                          |             |
|--------------------------|-------------|
| Signal level "0" signal  | < 5 V       |
| Signal level "1" signal  | > 11 V      |
| Input current "0" signal | < 1 mA      |
| Input current "1" signal | typ. 2.5 mA |
| Status display           | Yellow LED  |

#### Input data (analog)

|                     |  |
|---------------------|--|
| Number of inputs    | 2 (IN6 and IN7 are configurable as analog) |
| Input voltage range | 0 V ... 10 V                               |
| Input resistance    | > 3.5 kΩ                                   |

#### Input data (PLC-INTERFACE)

|                             |  |
|-----------------------------|--|
| Number of inputs            | ≤ 8                                    |
| Description of the input    | technical data depends on the PLC used |
| Input voltage               | 19 V DC                                |
| Typical current consumption | 4 mA                                   |
| Input resistance            | < 100 mΩ                               |

#### Output data

|                        |         |
|------------------------|---------|
| Number of outputs      | ≤ 8     |
| Nominal output voltage | 24 V DC |
| Nominal current        | 9 mA    |

#### General data

|                       |                                       |
|-----------------------|---------------------------------------|
| Color                 | green                                 |
| Mounting position     | any                                   |
| Assembly instructions | Can be plugged onto 8 x PLC-INTERFACE |
| Operating mode        | 100% operating factor                 |
| Degree of protection  | IP20                                  |

#### Standards/regulations

|                          |  |
|--------------------------|--|
| Designation              | Air clearances and creepage distances between the power circuits |
| Standards/regulations    | DIN EN 50178   |
| Rated insulation voltage | 50 V   |
| Rated surge voltage      | 0.8 kV   |
| Insulation               | Basic insulation   |
| Pollution degree         | 2  |
| Surge voltage category   | III  |

#### Connection data (supply and digital inputs)

|                 |                     |
|-----------------|---------------------|
| Connection name | COMBICON connection |
|-----------------|---------------------|

## Extension module - PLC-V8C/SC-24DC/EM - 2903095

### Technical data

#### Connection data (supply and digital inputs)

|  |                              |
|--|------------------------------|
| Conductor cross section flexible min.                                      | 0.14 mm <sup>2</sup>         |
| Conductor cross section flexible max.                                      | 1.5 mm <sup>2</sup>          |
| Conductor cross section solid min.   | 0.14 mm <sup>2</sup>         |
| Conductor cross section solid max.   | 1.5 mm <sup>2</sup>          |
| Conductor cross section flexible, with ferrule with plastic sleeve min.    | 0.25 mm <sup>2</sup>         |
| Conductor cross section flexible, with ferrule with plastic sleeve max.    | 0.5 mm <sup>2</sup>          |
| Conductor cross section flexible, with ferrule without plastic sleeve min. | 0.25 mm <sup>2</sup>         |
| Conductor cross section stranded, with ferrule without plastic sleeve max. | 1.5 mm <sup>2</sup>          |
| Min. AWG conductor cross section, stranded                                 | 28                           |
| Max. AWG conductor cross section, stranded                                 | 16                           |
| Conductor cross section AWG min.   | 28                           |
| Conductor cross section AWG max.   | 16                           |
| Screw thread   | M2                           |
| Number of connections  | 1                            |
| Connection method  | Screw connection             |
| Number of positions  | 10                           |
| Stripping length   | 7 mm                         |
| Note   | Device supply and 8 x inputs |
| Torque   | 0.22 Nm ... 0.25 Nm          |

#### Connection data (PLC V8C bus)

|                       |                 |
|-----------------------|-----------------|
| Connection name       | PLC logic - bus |
| Number of connections | 1               |
| Number of positions   | 4               |

#### Ambient conditions

|  |                  |
|--|------------------|
| Ambient temperature (operation)                | -20 °C ... 45 °C |
| Ambient temperature (storage/transport)        | -20 °C ... 70 °C |
| Max. permissible relative humidity (operation) | 95 %             |

#### Dimensions

|        |        |
|--------|--------|
| Width  | 50 mm  |
| Height | 106 mm |
| Depth  | 87 mm  |

### Classifications

eCl@ss

|            |          |
|------------|----------|
| eCl@ss 4.0 | 27371102 |
|------------|----------|

## Extension module - PLC-V8C/SC-24DC/EM - 2903095

### Classifications

#### eCl@ss

|            |          |
|------------|----------|
| eCl@ss 4.1 | 27371102 |
| eCl@ss 5.0 | 27371001 |
| eCl@ss 5.1 | 27371001 |
| eCl@ss 6.0 | 27242608 |
| eCl@ss 7.0 | 27242608 |

#### ETIM

|          |          |
|----------|----------|
| ETIM 2.0 | EC001504 |
| ETIM 3.0 | EC001504 |
| ETIM 4.0 | EC001417 |
| ETIM 5.0 | EC001417 |

#### UNSPSC

|               |          |
|---------------|----------|
| UNSPSC 6.01   | 30211916 |
| UNSPSC 7.0901 | 39121542 |
| UNSPSC 11     | 39121542 |
| UNSPSC 12.01  | 39121421 |
| UNSPSC 13.2   | 39121542 |

### Approvals

#### Approvals

---

#### Approvals

UL Listed / cUL Listed / cULus Listed

---


#### Ex Approvals

---

#### Approvals submitted

---

#### Approval details

|   |
|---|
| UL Listed  |
|---|

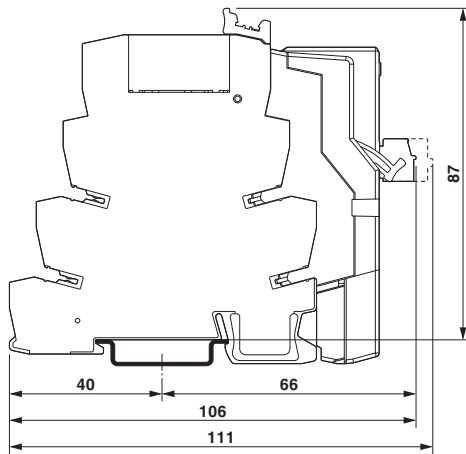
# Extension module - PLC-V8C/SC-24DC/EM - 2903095

## Approvals

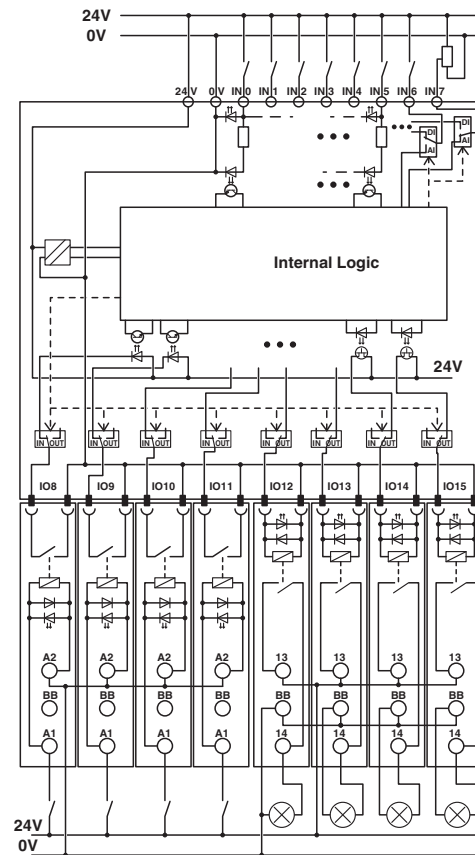


## Drawings

Dimensional drawing

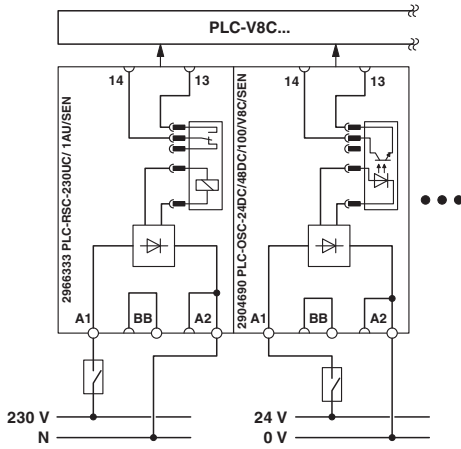


Circuit diagram

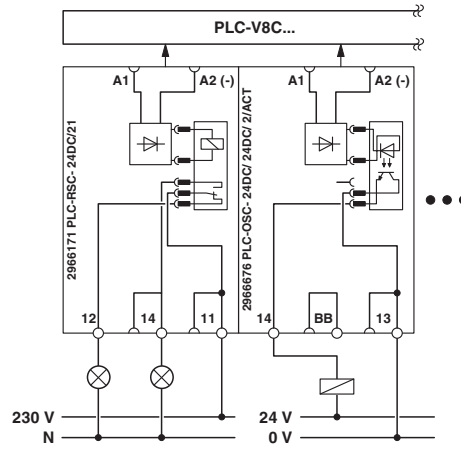


# Extension module - PLC-V8C/SC-24DC/EM - 2903095

Circuit diagram



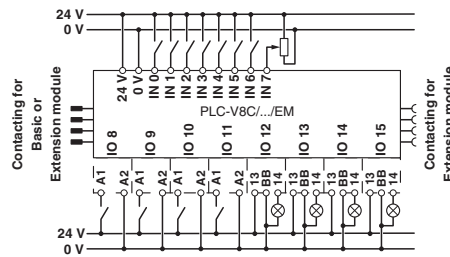
Circuit diagram



Basic circuit diagram: inputs via PLC-INTERFACE with the example of one input terminal block with relay (230 V AC) and one input terminal block with solid-state relay (24 V DC).

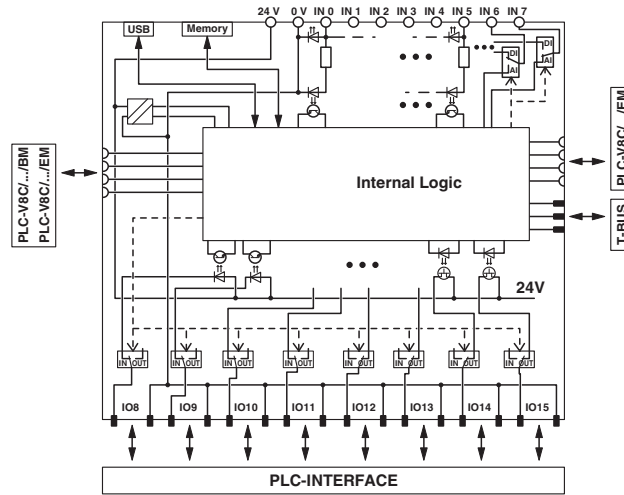
Basic circuit diagram: outputs via PLC-INTERFACE with the example of an output terminal block with relay, 1 PDT, and an output terminal block with solid-state relay.

Connection diagram



# Extension module - PLC-V8C/SC-24DC/EM - 2903095

Circuit diagram



Компания «Life Electronics» занимается поставками электронных компонентов импортного и отечественного производства от производителей и со складов крупных дистрибьюторов Европы, Америки и Азии.

С конца 2013 года компания активно расширяет линейку поставок компонентов по направлению коаксиальный кабель, кварцевые генераторы и конденсаторы (керамические, пленочные, электролитические), за счёт заключения дистрибьюторских договоров

Мы предлагаем:

- Конкурентоспособные цены и скидки постоянным клиентам.
- Специальные условия для постоянных клиентов.
- Подбор аналогов.
- Поставку компонентов в любых объемах, удовлетворяющих вашим потребностям.
- Приемлемые сроки поставки, возможна ускоренная поставка.
- Доставку товара в любую точку России и стран СНГ.
- Комплексную поставку.
- Работу по проектам и поставку образцов.
- Формирование склада под заказчика.
- Сертификаты соответствия на поставляемую продукцию (по желанию клиента).
- Тестирование поставляемой продукции.
- Поставку компонентов, требующих военную и космическую приемку.
- Входной контроль качества.
- Наличие сертификата ISO.

В составе нашей компании организован Конструкторский отдел, призванный помогать разработчикам, и инженерам.

Конструкторский отдел помогает осуществить:

- Регистрацию проекта у производителя компонентов.
- Техническую поддержку проекта.
- Защиту от снятия компонента с производства.
- Оценку стоимости проекта по компонентам.
- Изготовление тестовой платы монтаж и пусконаладочные работы.



Тел: +7 (812) 336 43 04 (многоканальный)  
Email: [org@lifeelectronics.ru](mailto:org@lifeelectronics.ru)