

# PET2000-12-074xA

## AC-DC Front-End Power Supply

PET2000-12-074xA is a 2000 Watt AC to DC, power-factor corrected (PFC) power supply that converts standard AC power into a main output of +12 VDC.

PET2000-12-074xA utilizes full digital control architecture for greater efficiency, control and functionality.

This power supply meets international safety standards and displays the CE-Mark for the European Low Voltage Directive (LVD).



### Key Features & Benefits

- Best-in-class, 80 PLUS Certified “Platinum” Efficiency
- Auto-Selected Input Voltage Ranges: 90 - 140 VAC, 180 - 264 VAC
- AC Input with Power Factor Correction
- 2000 W Continuous Output Power Capability
- Always-On 12 V Standby Output
- Hot-Plug Capable
- Parallel Operation with Active Current Sharing
- Full Digital Controls for Improved Performance
- High Density Design: 42.1 W/in<sup>3</sup>
- Small Form Factor: 265 x 73.5 x 40 mm (10.43 x 2.89 x 1.57 in)
- Power Management Bus Communication Protocol for Control, Programming and Monitoring
- Status LED with Fault Signaling

### Applications

- Networking Switches
- Servers & Routers
- Telecommunications



**bel** POWER  
SOLUTIONS &  
PROTECTION

a bel group

[belfuse.com/power-solutions](http://belfuse.com/power-solutions)

### 1. ORDERING INFORMATION

| PET            | 2000        | -    | 12        | -    | 074   | x                       | A     |  |
|----------------|-------------|------|-----------|------|-------|-------------------------|-------|--|
| Product Family | Power Level | Dash | V1 Output | Dash | Width | Airflow                 | Input | AC Inlet <sup>1</sup>                  |
| PET Front-Ends | 2000 W      |      | 12 V      |      | 74 mm | N: Normal<br>R: Reverse | A: AC | Blank: C14<br>C: C16<br>A: Saf-D-Grid® |

### 2. OVERVIEW

The PET2000-12-074xA AC/DC power supply is a fully DSP controlled, highly efficient front-end power supply. It incorporates resonance-soft-switching technology to reduce component stresses, providing increased system reliability and very high efficiency. With a wide input operational voltage range the PET2000-12-074xA maximizes power availability in demanding server, network, and other high availability applications. The supply is fan cooled and ideally suited for integration with a matching airflow path. The PFC stage is digitally controlled using a state-of-the-art digital signal processing algorithm to guarantee best efficiency and unity power factor over a wide operating range. The DC/DC stage uses soft switching resonant techniques in conjunction with synchronous rectification. An active OR-ing device on the output ensures no reverse load current and renders the supply ideally suited for operation in redundant power systems. The always-on standby output provides power to external power distribution and management controllers. It is protected with an active OR-ing device for maximum reliability. Status information is provided with a front-panel LED. In addition, the power supply can be controlled and the fan speed set via the I2C bus. The I2C bus allows full monitoring of the supply, including input and output voltage, current, power, and inside temperatures. Cooling is managed by a fan controlled by the DSP controller. The fan speed is adjusted automatically depending on the actual power demand and supply temperature and can be overridden through the I2C bus.

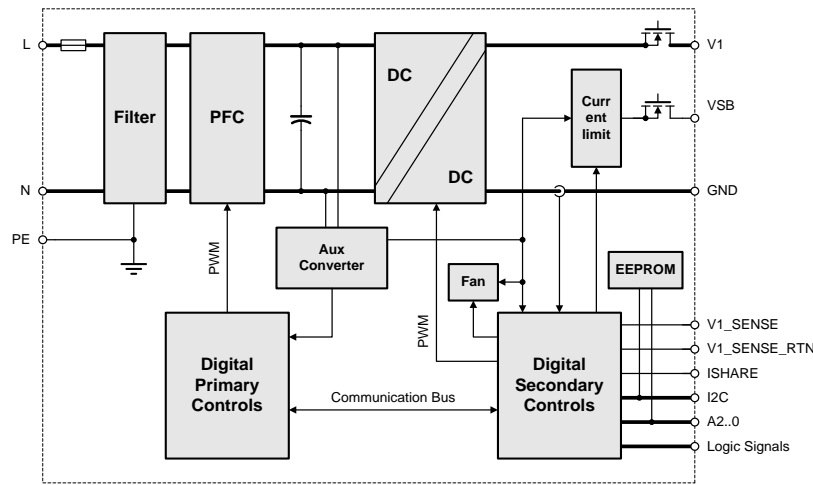


Figure 1. PET2000-12-074xA Block Diagram

### 3. ABSOLUTE MAXIMUM RATINGS

Stresses in excess of the absolute maximum ratings may cause performance degradation, adversely affect long-term reliability and cause permanent damage to the supply.

| PARAMETER                 | CONDITIONS / DESCRIPTION | MIN | MAX | UNITS |
|---------------------------|--------------------------|-----|-----|-------|
| <i>V<sub>i maxc</sub></i> | Maximum Input            |     | 264 | VAC   |

<sup>1</sup> C14 = IEC 60320-C14 type, C16 = IEC 60320-C16 type, Saf-D-Grid® = Anderson Saf-D-Grid®

## 4. INPUT

General Condition:  $T_A = 0 \dots 55 \text{ }^\circ\text{C}$ , unless otherwise noted.

| PARAMETER               | DESCRIPTION / CONDITION             | MIN  | NOM   | MAX   | UNIT |       |
|-------------------------|-------------------------------------|--|-------|-------|------|-------|
| $V_{i\text{nom}}$       | Nominal Input Voltage               | Rated Voltage High Line ( $V_{i\text{nom HL}}$ )                             | 200   | 230   | 240  | VAC   |
|                         |                                     | Rated Voltage Low Line ( $V_{i\text{nom LL}}$ )                              | 100   | 115   | 127  | VAC   |
| $V_i$                   | Input Voltage Ranges                | Normal operating ( $V_{i\text{min HL}}$ to $V_{i\text{max HL}}$ ), High Line | 180   |       | 264  | VAC   |
|                         |                                     | Normal operating ( $V_{i\text{min LL}}$ to $V_{i\text{max LL}}$ ), Low Line  | 90    |       | 140  | VAC   |
| $I_{i\text{max}}$       | Maximum Input Current               | $V_i=100 \text{ VAC}$ , $I_l=83 \text{ A}$ , $I_{SB}=5 \text{ A}$            |       |       | 13   |       |
|                         |                                     | $V_i=200 \text{ VAC}$ , $I_l=167 \text{ A}$ , $I_{SB}=5 \text{ A}$           |       |       | 12   |       |
|                         |                                     | $V_i=200 \text{ VAC}$ , $I_l=145 \text{ A}$ , $I_{SB}=5 \text{ A}$           |       |       | 10   | ARMS  |
|                         |                                     | $V_i=220 \text{ VAC}$ , $I_l=158 \text{ A}$ , $I_{SB}=5 \text{ A}$           |       |       | 10   |       |
|                         |                                     | $V_i=230 \text{ VAC}$ , $I_l=167 \text{ A}$ , $I_{SB}=5 \text{ A}$           |       |       | 10   |       |
| $I_{i\text{inrush}}$    | Inrush Current Limitation           | $V_{i\text{min}}$ to $V_{i\text{max}}$ , $T_{NTC}=25^\circ\text{C}$ , 5 ms   |       |       | 10   | $A_p$ |
| $f_i$                   | Input Frequency                     | 47   | 50/60 | 63    | Hz   |       |
| $PF$                    | Power Factor                        | $V_i=230 \text{ VAC}$ , 10% load   | 0.8   | 0.880 |      | W/VA  |
|                         |                                     | $V_i=230 \text{ VAC}$ , 20% load   | 0.9   | 0.950 |      | W/VA  |
|                         |                                     | $V_i=230 \text{ VAC}$ , 50% load   | 0.9   | 0.997 |      | W/VA  |
|                         |                                     | $V_i=230 \text{ VAC}$ , 100% load  | 0.95  | 0.999 |      | W/VA  |
| $THD$                   | Total Harmonic Distortion           | TBD  |       |       | TBD  | %     |
| $V_{i\text{on}}$        | Turn-on Input Voltage <sup>2</sup>  | Ramping up   |       | 87    | 90   | VAC   |
| $V_{i\text{off}}$       | Turn-off Input Voltage <sup>2</sup> | Ramping down   |       | 82    | 87   | VAC   |
| $\eta$                  | Efficiency <sup>3</sup>             | $V_i=230 \text{ VAC}$ , 10% load   | 90    | 91.6  |      | %     |
|                         |                                     | $V_i=230 \text{ VAC}$ , 20% load   | 91    | 93.8  |      | %     |
|                         |                                     | $V_i=230 \text{ VAC}$ , 50% load   | 94    | 94.4  |      | %     |
|                         |                                     | $V_i=230 \text{ VAC}$ , 100% load  | 91    | 92.8  |      | %     |
| $T_{V1\text{ holdup}}$  | Hold-up Time $V_i$                  | $V_i=230 \text{ VAC}$ , 50% load, $0^\circ$                                  | 18    |       |      | ms    |
|                         |                                     | $V_i=230 \text{ VAC}$ , 100% load, $0^\circ$                                 | 9     |       |      | ms    |
| $T_{VSB\text{ holdup}}$ | Hold-up Time $V_{SB}$               | $V_i=90$ to $264 \text{ VAC}$ , 0 to 100% load                               |       | 70    |      | ms    |

### 4.1 INPUT CONNECTOR

PET2000-12-074NA power supply is available in 3 different input connector configurations. The versions with IEC 60320-C14 and IEC 60320-C16 have a limited current of 10 A for areas outside North America, in addition the IEC 60320-C14 has a limited component temperature of  $70^\circ\text{C}$ . The Anderson Saf-D-Grid® has no limitation with respect to both current and temperature.

The PET2000-12-074NA power supply is available with IEC 60320-C14.

Below table shows the maximum rated operating conditions for the different input connector options. The applied operating condition must remain within these conditions to allow safety compliant operation.

See also [10.3 MAXIMUM OUTPUT POWER VERSUS INLET TEMPERATURE FOR SAFETY COMPLIANCY](#) for detailed derating curves.

<sup>2</sup> The Front-End is provided with a minimum hysteresis of 3 V during turn-on and turn-off within the ranges

<sup>3</sup> Efficiency measured without fan power per EPA server guidelines

| TYPE              | INPUT CONNECTOR      | REGION                   | APPLIED RATED MAINS AC VOLTAGE <sup>4</sup> | MAX I <sup>5</sup>     | MAXIMUM DERATED I <sub>T</sub> AT MAXIMUM T <sub>A</sub> |
|-------------------|----------------------|--------------------------|---|------------------------|--|
| PET2000-12-074RA  | IEC 60320-C14        | North America            | 100 to 127 VAC                              | 83.3 A                 | 50 A at T <sub>A</sub> = 55°C                            |
|                   |                      |                          | 200 to 240 VAC                              | 167 A                  | 100 A at T <sub>A</sub> = 55°C                           |
|                   |                      | Other than North America | 100 to 127 VAC                              | 67 A / 83.3 A for BSMI | 50 A at T <sub>A</sub> = 55°C                            |
|                   |                      |                          | 200 to 220 VAC                              | 145 A                  | 100 A at T <sub>A</sub> = 55°C                           |
|                   |                      |                          | 220 to 230 VAC                              | 158 A                  | 100 A at T <sub>A</sub> = 55°C                           |
|                   |                      |                          | 230 to 240 VAC                              | 167 A                  | 100 A at T <sub>A</sub> = 55°C                           |
| PET2000-12-074NA  | IEC 60320-C14        | North America            | 100 to 127 VAC                              | 83.3 A                 | 50 A at T <sub>A</sub> = 70°C                            |
|                   |                      |                          | 200 to 240 VAC                              | 167 A                  | 100 A at T <sub>A</sub> = 70°C                           |
|                   |                      | Other than North America | 100 to 127 VAC                              | 67 A / 83.3 A for BSMI | 17.5 A at T <sub>A</sub> = 65°C                          |
|                   |                      |                          | 200 to 220 VAC                              | 145 A                  | 32.5 A at T <sub>A</sub> = 65°C                          |
|                   |                      |                          | 220 to 230 VAC                              | 158 A                  | 40 A at T <sub>A</sub> = 65°C                            |
|                   |                      |                          | 230 to 240 VAC                              | 167 A                  | 43 A at T <sub>A</sub> = 65°C                            |
| PET2000-12-074NAC | IEC 60320-C16        | North America            | 100 to 127 VAC                              | 83.3 A                 | 50 A at T <sub>A</sub> = 70°C                            |
|                   |                      |                          | 200 to 240 VAC                              | 167 A                  | 100 A at T <sub>A</sub> = 70°C                           |
|                   |                      | Other than North America | 100 to 127 VAC                              | 67 A / 83.3 A for BSMI | 40 A at T <sub>A</sub> = 70°C                            |
|                   |                      |                          | 200 to 220 VAC                              | 145 A                  | 87 A at T <sub>A</sub> = 70°C                            |
|                   |                      |                          | 220 to 230 VAC                              | 158 A                  | 95 A at T <sub>A</sub> = 70°C                            |
|                   |                      |                          | 230 to 240 VAC                              | 167 A                  | 100 A at T <sub>A</sub> = 70°C                           |
| PET2000-12-074NAA | Anderson Saf-D-Grid® | All                      | 100 to 127 VAC                              | 83.3 A                 | 50 A at T <sub>A</sub> = 70°C                            |
|                   |                      |                          | 200 to 240 VAC                              | 167 A                  | 100 A at T <sub>A</sub> = 70°C                           |

## 4.2 INPUT FUSE

Time-lag 16 A input fuse (5 x 20 mm) in series with the L-line inside the power supply protects against severe defects. The fuse is not accessible from the outside and is therefore not a serviceable part.

## 4.3 INRUSH CURRENT

The AC-DC power supply exhibits an X-capacitance of only 5.9 µF, resulting in a low and short peak current, when the supply is connected to the mains. The internal bulk capacitor will be charged through an NTC which will limit the inrush current.

### NOTE:

Do not repeat plug-in / out operations within a short time, or else the internal in-rush current limiting device (NTC) may not sufficiently cool down and excessive inrush current or component failure(s) may result.

## 4.4 INPUT UNDER-VOLTAGE

If the sinusoidal input voltage stays below the input undervoltage lockout threshold V<sub>i on</sub>, the supply will be inhibited. Once the input voltage returns within the normal operating range, the supply will return to normal operation again.

<sup>4</sup> Nominal grid voltage, does not include typical fluctuations of ±10%; e.g. listed range 230-240 VAC allows operation at 230 VAC -10% to 240 VAC +10%, so 207 ... 264 VAC actual voltage to account for grid fluctuations

<sup>5</sup> Maximum Input current for PET2000-12-074RA at T<sub>A</sub> = 40°C and for PET2000-12-074NAx at T<sub>A</sub> = 55°C

### 4.5 POWER FACTOR CORRECTION

Power factor correction (PFC) is achieved by controlling the input current waveform synchronously with the input voltage. A fully digital controller is implemented giving outstanding PFC results over a wide input voltage and load ranges. The input current will follow the shape of the input voltage. If for instance the input voltage has a trapezoidal waveform, then the current will also show a trapezoidal waveform.

### 4.6 EFFICIENCY

High efficiency (see *Figure 2*) is achieved by using state-of-the-art silicon power devices in conjunction with soft-transition topologies minimizing switching losses and a full digital control scheme. Synchronous rectifiers on the output reduce the losses in the high current output path. The speed of the fan is digitally controlled to keep all components at an optimal operating temperature regardless of the ambient temperature and load conditions.

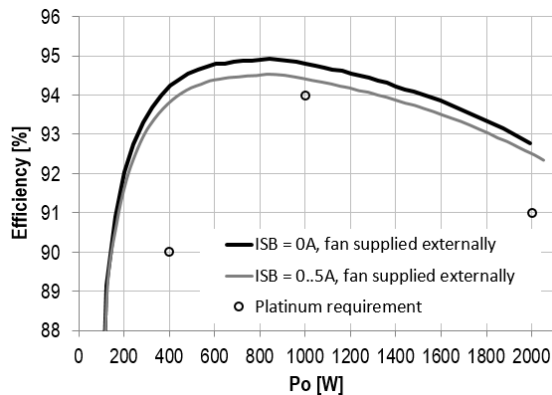


Figure 2. Efficiency vs. Load current (ratio metric loading)

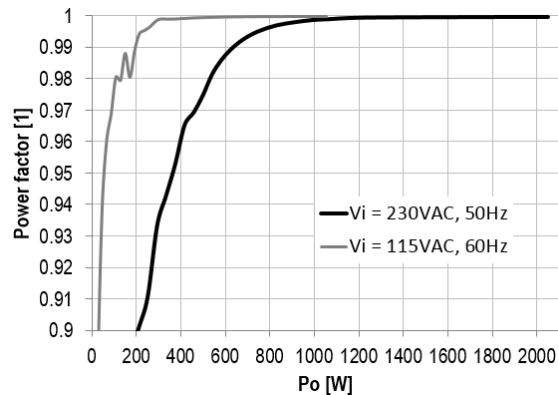


Figure 3. Power factor vs. Load current

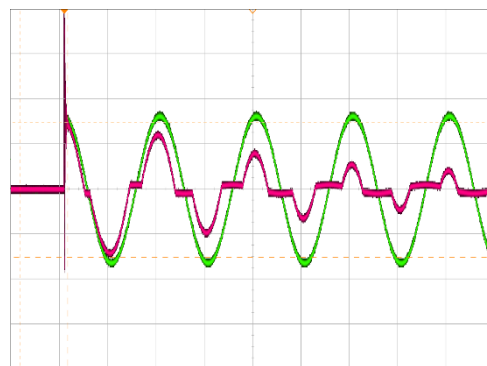


Figure 4. Inrush current,  $V_i = 230Vac, 90^\circ$   
 CH2:  $V_i$  (200V/div), CH3:  $I_i$  (5A/div)

## 5. OUTPUT

### 5.1 MAIN OUTPUT $V_1$

General Condition:  $T_A = 0 \dots 40 \text{ }^\circ\text{C}$  (PET2000-12-074RA),  $T_A = 0 \dots 55 \text{ }^\circ\text{C}$  (PET2000-12-074NA),  $V_i = 230 \text{ VAC}$  unless otherwise noted.

| PARAMETER                | DESCRIPTION / CONDITION            | MIN  | NOM  | MAX  | UNIT                  |                      |
|--------------------------|------------------------------------|--|------|------|-----------------------|----------------------|
| $V_{1 \text{ nom}}$      | Nominal Output Voltage             |  | 12.0 |      | VDC                   |                      |
| $V_{1 \text{ set}}$      | Output Setpoint Accuracy           | -0.5   |      | +0.5 | % $V_{1 \text{ nom}}$ |                      |
| $dV_{1 \text{ tot}}$     | Static Regulation                  | $V_{1 \text{ min LL}}$ to $V_{1 \text{ max HL}}$ , 0 to 100% $I_{1 \text{ nom}}$   |      |      | % $V_{1 \text{ nom}}$ |                      |
| $P_{1 \text{ nom}}$      | Nominal Output Power <sup>6</sup>  | $V_{1 \text{ min HL}}$ to $V_{1 \text{ max HL}}$   | 2000 |      | W                     |                      |
|                          |                                    | $V_{1 \text{ min LL}}$ to $V_{1 \text{ max LL}}$   | 1000 |      | W                     |                      |
| $P_{1 \text{ peak}}$     | Peak Output Power <sup>6</sup>     | $V_{1 \text{ min HL}}$ to $V_{1 \text{ max HL}}$   | 2100 |      | W                     |                      |
|                          |                                    | $V_{1 \text{ min LL}}$ to $V_{1 \text{ max LL}}$   | 1320 |      | W                     |                      |
| $I_{1 \text{ nom}}$      | Output Current                     | $V_{1 \text{ min HL}}$ to $V_{1 \text{ max HL}}$   | 0    | 167  | ADC                   |                      |
| $I_{1 \text{ nom red}}$  |                                    | $V_{1 \text{ min LL}}$ to $V_{1 \text{ max LL}}$   | 0    | 83   | ADC                   |                      |
| $I_{1 \text{ peak}}$     | Peak Output Current <sup>7</sup>   | $V_{1 \text{ min HL}}$ to $V_{1 \text{ max HL}}$   | 0    | 175  | ADC                   |                      |
| $I_{1 \text{ peak red}}$ |                                    | $V_{1 \text{ min LL}}$ to $V_{1 \text{ max LL}}$   | 0    | 110  | ADC                   |                      |
| $V_{1 \text{ pp}}$       | Output Ripple Voltage <sup>8</sup> | $V_{1 \text{ min LL}}$ to $V_{1 \text{ max HL}}$ , 0 to 75% $I_{1 \text{ nom}}$ ,<br>$C_{\text{ext}} = 0 \text{ mF}$   |      | 120  | mVpp                  |                      |
|                          |                                    | $V_{1 \text{ min LL}}$ to $V_{1 \text{ max HL}}$ , 75 to 100% $I_{1 \text{ nom}}$ ,<br>$C_{\text{ext}} = 0 \text{ mF}$   |      | 150  | mVpp                  |                      |
|                          |                                    | $V_{1 \text{ min LL}}$ to $V_{1 \text{ max HL}}$ , 0 to 100% $I_{1 \text{ nom}}$ ,<br>$C_{\text{ext}} \geq 1 \text{ mF/Low ESR}$   |      | 120  | mVpp                  |                      |
| $dV_{1 \text{ load}}$    | Load Regulation                    | 0 to 100% $I_{1 \text{ nom}}$  | -83  | -110 | -138                  | mV                   |
| $dV_{1 \text{ line}}$    | Line Regulation                    | $V_{1 \text{ min HL}}$ to $V_{1 \text{ max HL}}$ , $0.5 \cdot I_{1 \text{ nom}}$   | -24  | 0    | 24                    | mV                   |
| $dV_{1 \text{ temp}}$    | Thermal Drift                      | $0.5 \cdot I_{1 \text{ nom}}$ , $T_A = 0 \dots 55^\circ\text{C}$   |      | -0.4 |                       | mV/ $^\circ\text{C}$ |
| $dI_{1 \text{ share}}$   | Current Sharing                    | Difference between individual $I_i$ ,<br>1 ... 8 power supplies in parallel  | -6   |      | +6                    | ADC                  |
| $V_{1 \text{ SHARE}}$    | Current Share Bus Voltage          | $V_{1 \text{ SHARE}}$ at 167A  |      | 8    |                       | VDC                  |
| $V_{1 \text{ SHARE}}$    | Current Share Bus Voltage          | $I_{1 \text{ peak}}$   |      | 9.14 |                       | VDC                  |
| $dV_{1 \text{ lt}}$      | Load Transient Response            | $\Delta I = 50\% I_{1 \text{ nom}}$ , $I_i = 5 \dots 100\% I_{1 \text{ nom}}$ ,<br>$C_{\text{ext}} = 0 \text{ mF}$   |      | 0.35 | 0.6                   | VDC                  |
| $dV_{1 \text{ it}}$      |                                    | $\Delta I = 10\% I_{1 \text{ nom}}$ , $I_i = 0 \dots 10\% I_{1 \text{ nom}}$ ,<br>$C_{\text{ext}} = 0 \text{ mF}$  |      | 0.35 | 0.6                   | VDC                  |
| $t_{\text{rec}}$         | Recovery Time                      | $dh/dt = 1\text{A}/\mu\text{s}$ , recovery within 1% of $V_{1 \text{ nom}}$  |      | 0.5  | 1                     | ms                   |
| $V_{1 \text{ dyn}}$      | Dynamic Load Regulation            | $\Delta I = 60\% I_{1 \text{ nom}}$ , $I_i = 5 \dots 167 \text{ A}$ ,<br>$f = 50 \dots 5000 \text{ Hz}$ , Duty cycle = 10 ... 90%,<br>$C_{\text{ext}} = 2 \dots 30 \text{ mF}$ | 11.4 |      | 12.6                  | V                    |
| $t_{V1 \text{ rise}}$    | Output Voltage Rise Time           | $V_i = 10 \dots 90\% V_{1 \text{ nom}}$ , $C_{\text{ext}} < 10 \text{ mF}$   | 1    |      | 30                    | ms                   |
| $t_{V1 \text{ ovr sh}}$  | Output Turn-on Overshoot           | 0 to 100% $I_{1 \text{ nom}}$  |      |      | 0.6                   | V                    |
| $dV_{1 \text{ sense}}$   | Remote Sense                       | Compensation for cable drop, 0 to 100% $I_{1 \text{ nom}}$   |      |      | 0.25                  | V                    |
| $C_{V1 \text{ load}}$    | Capacitive Loading                 |  | 0    |      | 30                    | mF                   |

<sup>6</sup> See also chapter [TEMPERATURE AND FAN CONTROL](#)

<sup>7</sup> Peak combined power for all outputs must not exceed 2100 W; maximum of peak power duration is 20 seconds without asserting the SMBAlert signal

<sup>8</sup> Measured with a 10  $\mu\text{F}$  low ESR capacitor in parallel with a 0.1  $\mu\text{F}$  ceramic capacitor at the point of measurement

## 5.2 STANBY OUTPUT $V_{SB}$

General Condition:  $T_A = 0...40\text{ }^\circ\text{C}$  (PET2000-12-074RA),  $T_A = 0...55\text{ }^\circ\text{C}$  (PET2000-12-074NA),  $V_i = 230\text{ VAC}$  unless otherwise noted.

| PARAMETER             | DESCRIPTION / CONDITION            | MIN          | NOM  | MAX          | UNIT                 |
|-----------------------|------------------------------------|--------------|--|--------------|----------------------|
| $V_{SB\ nom}$         | Nominal Output Voltage             |              | 12.1   |              | VDC                  |
| $V_{SB\ set}$         | Output Setpoint Accuracy           | -1           |  | +1           | % $V_{SB\ nom}$      |
| $dV_{SB\ tot}$        | Total Regulation                   | -5           |  | +1           | % $V_{SB\ nom}$      |
| $P_{SB\ nom}$         | Nominal Output Power               |              | PET2000-12-074RA: 36<br>PET2000-12-074NA: 60 |              | W                    |
| $P_{SB\ peak}$        | Peak Output Power <sup>9</sup>     |              | PET2000-12-074RA: 36<br>PET2000-12-074NA: 60 |              | W                    |
| $I_{SB\ nom}$         | Output Current                     |              | PET2000-12-074RA: 0<br>PET2000-12-074NA: 5   | 3            | ADC                  |
| $I_{SB\ peak}$        | Peak Output Current <sup>9</sup>   |              | PET2000-12-074RA: 0<br>PET2000-12-074NA: 5.3 | 3.3          | ADC                  |
| $V_{SB\ pp}$          | Output Ripple Voltage <sup>7</sup> |              |  | 120          | mVpp                 |
| $dV_{SB\ load}$       | Load Regulation                    | -144<br>-290 | -240<br>-430                                 | -330<br>-570 | mV<br>mV             |
| $dV_{SB\ line}$       | Line Regulation                    | -24          | 0  | 24           | mV                   |
| $dV_{SB\ temp}$       | Thermal Drift                      |              | -0.5   |              | mV/ $^\circ\text{C}$ |
| $dI_{SB\ share}$      | Current Sharing                    | -1           |  | +1           | ADC                  |
| $V_{SB\ dyn}$         | Load Transient Response            |              | 0.2  | 0.3          | VDC                  |
| $t_{rec}$             | Recovery Time                      |              | 1  | 2            | ms                   |
| $V_{SB\ dyn}$         | Dynamic Load Regulation            | 11.4         |  | 12.6         | V                    |
| $t_{V_{SB}\ rise}$    | Output Voltage Rise Time           | 1            | 2  | 5            | ms                   |
| $t_{V_{SB}\ ovr\ sh}$ | Output Turn-on Overshoot           |              |  | 0.6          | V                    |
| $C_{V_{SB}\ load}$    | Capacitive Loading                 | 0            |  | 3100         | $\mu\text{F}$        |

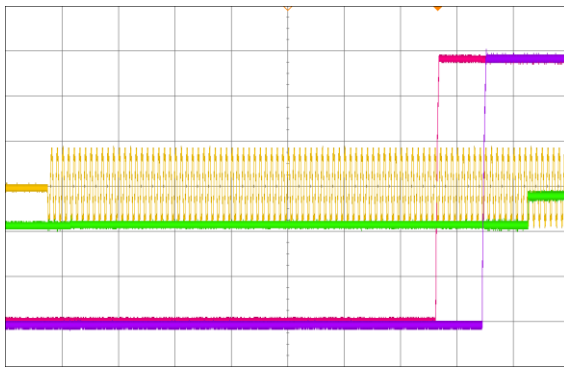


Figure 5. Turn-On AC Line 230VAC, full load (200ms/div)  
 CH1:  $V_{in}$  (400V/div) CH2: PWOK\_H (5V/div)  
 CH3:  $V_1$  (2V/div) CH4:  $V_{SB}$  (2V/div)

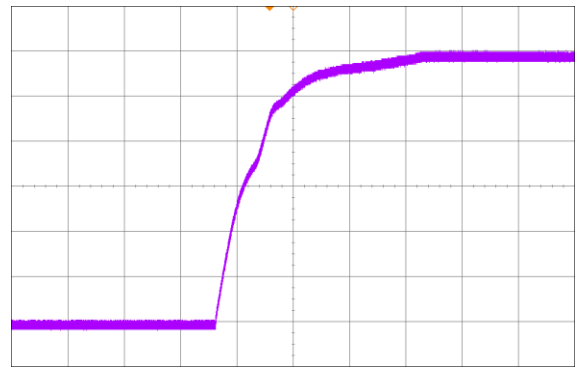


Figure 6. Rise time  $V_1$  at 230VAC, full load (2ms/div)  
 CH3:  $V_1$  (2V/div)

<sup>9</sup> In single power supply configuration

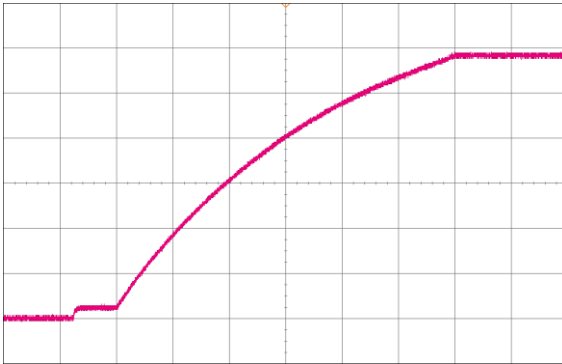


Figure 7. Rise time  $V_{SB}$  at 230VAC, full load (2ms/div)  
CH4:  $V_{SB}$  (2V/div)

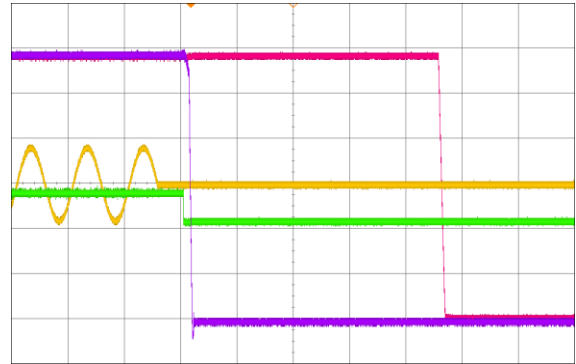


Figure 8. Turn-Off AC Line 230VAC, full load (20ms/div)  
CH1:  $V_{in}$  (400V/div) CH2: PWOK\_H (5V/div)  
CH3:  $V_1$  (2V/div) CH4:  $V_{SB}$  (2V/div)

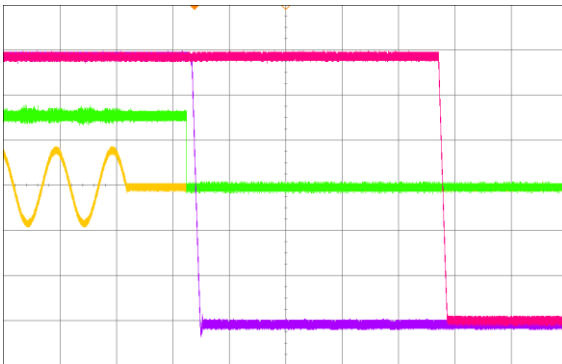


Figure 9. Turn-Off AC Line 230VAC, half load (20ms/div)  
CH1:  $V_{in}$  (400V/div) CH2: PWOK\_H (5V/div)  
CH3:  $V_1$  (2V/div) CH4:  $V_{SB}$  (2V/div)

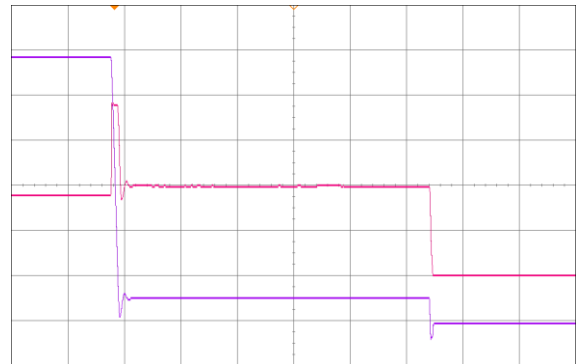


Figure 10. Short circuit on  $V_1$  (10ms/div)  
CH3:  $V_1$  (2V/div) CH4:  $I_1$  (100A/div)

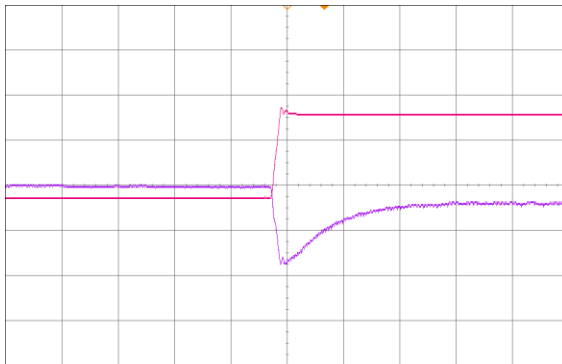


Figure 11. Load transient  $V_1$ , 83 to 167A (500 $\mu$ s/div)  
CH3:  $V_1$  (200mV/div) CH4:  $I_1$  (50A/div)

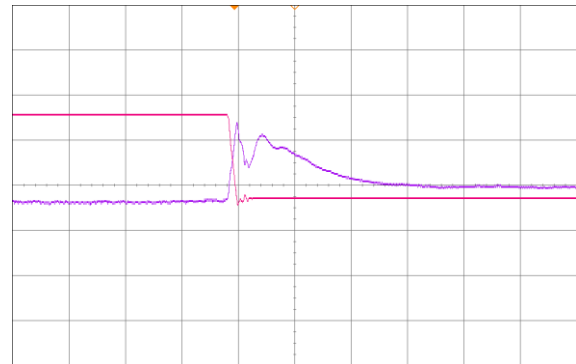


Figure 12. Load transient  $V_1$ , 167 to 83A (500 $\mu$ s/div)  
CH3:  $V_1$  (200mV/div) CH4:  $I_1$  (50A/div)

### 5.3 OUTPUT GROUND / CHASSIS CONNECTION

The output return path serves as power and signal ground. All output voltages and signals are referenced to these pins. To prevent a shift in signal and voltage levels due to ground wiring voltage drop a low impedance ground plane should be used as shown in [Figure 13](#). Alternatively, separated ground signals can be used as shown in

[Figure 14](#). In this case the two ground planes should be connected together at the power supplies ground pins.



**NOTE:**

Within the power supply the output GND pins are connected to the Chassis, which in turn is connected to the Protective Earth terminal on the AC inlet. Therefore, it is not possible to set the potential of the output return (GND) to any other than Protective Earth potential.

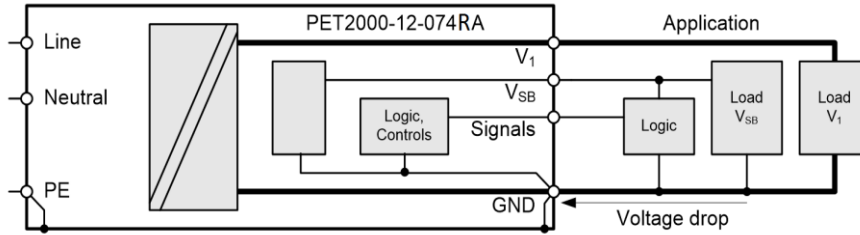


Figure 13. Common low impedance ground plane

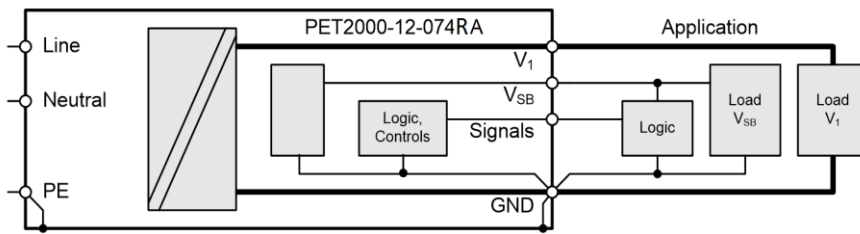


Figure 14. Separated power and signal ground

**6. PROTECTION**

| PARAMETER              | DESCRIPTION / CONDITION   | MIN  | NOM  | MAX  | UNIT |
|------------------------|---|------|------|------|------|
| $F$                    | Input fuse (L)  |      | 16   |      | A    |
| $V_{1\text{OV}}$       | OV Threshold $V_1$  | 13.3 | 13.9 | 14.5 | VDC  |
| $t_{V1\text{OV}}$      | OV Trip Time $V_1$  |      |      | 1    | ms   |
| $V_{SB\text{OV}}$      | OV Threshold $V_{SB}$   | 13.3 | 13.9 | 14.5 | VDC  |
| $t_{VSB\text{OV}}$     | OV Trip Time $V_{SB}$   |      |      | 1    | ms   |
| $I_{1\text{OC Slow}}$  | OC Limit $V_1$  |      |      | 175  | ADC  |
|                        | Over Current Limitation, Latch-off, $V_{1\text{min HL}}$ to $V_{1\text{max HL}}$  | 169  |      |      |      |
|                        | Over Current Limitation, Latch-off, $V_{1\text{min LL}}$ to $V_{1\text{max LL}}$  | 85   |      | 88   | ADC  |
| $t_{V1\text{OC Slow}}$ | OC Trip time $V_1$  | 20   |      |      | s    |
| $I_{V1\text{OC Fast}}$ | Fast OC Limit $V_1$   |      |      | 180  | ADC  |
|                        | Fast Over Current Limit., Latch-off, $V_{1\text{min HL}}$ to $V_{1\text{max HL}}$ | 176  |      |      |      |
|                        | Fast Over Current Limit., Latch-off, $V_{1\text{min LL}}$ to $V_{1\text{max LL}}$ | 110  |      | 115  | ADC  |
| $t_{V1\text{OC Fast}}$ | Fast OC Trip time $V_1$   | 50   | 55   | 60   | ms   |
| $I_{1\text{SC}}$       | Max Short Circuit Current $V_1$   |      |      | 180  | A    |
| $t_{V1\text{SC}}$      | Short Circuit Regulation Time   |      |      | 2    | ms   |
|                        | $V_1 < 3\text{ V}$ , time until $I_1$ is limited to $< I_{1\text{SC}}$            |      |      |      |      |
| $I_{SB\text{OC}}$      | OC Limit $V_{SB}$   | 5.2  |      | 7.5  | A    |
| $t_{VSB\text{OC}}$     | OC Trip time $V_{SB}$   |      |      | 1    | ms   |
|                        | Over Current Limit., time until $I_{SB}$ is limited to $I_{SB\text{OC}}$          |      |      |      |      |
| $T_{SD}$               | Over Temperature  |      |      |      | °C   |
|                        | See chapter 10.2  |      |      |      |      |

## 6.1 OVERVOLTAGE PROTECTION

PET2000-12-074xA front-end provides a fixed threshold overvoltage (OV) protection implemented with a HW comparator for both the main and the standby output. Once an OV condition has been triggered on the main output, the supply will shut down and latch the fault condition. The latch can be unlocked by disconnecting the supply from the AC mains or by toggling the PSON\_L input. The standby output will continuously try to restart with a 1 s interval after OV condition has occurred.

## 6.2 UNDERVOLTAGE DETECTION

Both main and standby outputs are monitored. LED and PWOK\_H pin signal if the output voltage exceeds  $\pm 5\%$  of its nominal voltage.

The main output will latch off if the main output voltage  $V_I$  falls below 10 V (typically in an overload condition) for more than 55 ms. The latch can be unlocked by disconnecting the supply from the AC mains or by toggling the PSON\_L input. If the standby output leaves its regulation bandwidth for more than 2 ms then the main output is disabled to protect the system.

## 6.3 CURRENT LIMITATION

### MAIN OUTPUT

The main output exhibits a substantially rectangular output characteristic controlled by a software feedback loop. If output current exceeds  $I_{V1\ OC\ Fast}$  it will reduce output voltage in order to keep output current at  $I_{V1\ OC\ Fast}$ . If the output voltage drops below  $\sim 10.0$  VDC for more than 55 ms, the output will latch off (standby remains on), see also [Undervoltage Detection](#).

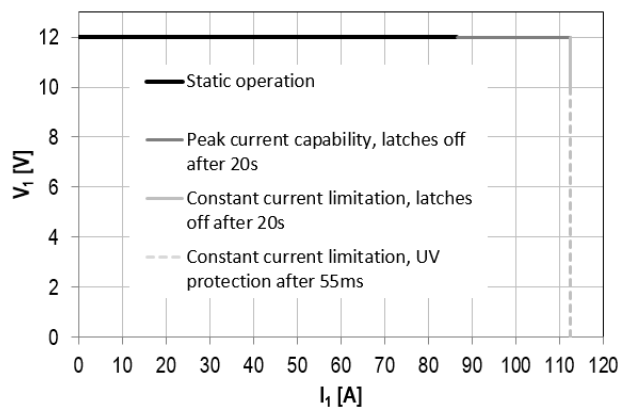


Figure 15. Current Limitation on  $V_I$   
at  $V_I = 90 \dots 140$  VAC

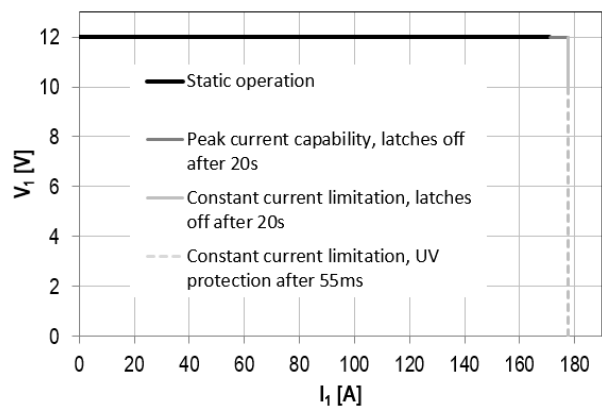


Figure 16. Current Limitation on  $V_I$   
at  $V_I = 180 \dots 264$  VAC

A second SW controlled current limit will latch off the main output if the power supply is operated for long duration in its peak current capability region. This protection trips as soon as the output current exceeds  $I_{I\ OC\ Slow}$  for a duration of more than 20 s. The third current limitation implemented as a fast hardware circuit will immediately switch off the main output if the output current increases beyond the peak current trip point, occurring mainly if a short circuit is applied to the output voltage. The supply will re-start 4 ms later with a soft start, if the short circuit persists ( $V_I < 10.0$  V for  $>55$  ms) the output will latch off; otherwise it continues to operate.

The latch can be unlocked by disconnecting the supply from the AC mains or by toggling the PSON\_L input.

The main output current limitation thresholds for  $I_{I\ OC\ Slow}$  and  $I_{I\ OC\ Fast}$  depend on the actual input voltage range applied to the power supply. In addition, the threshold for  $I_{I\ OC\ Slow}$  is reduced when ambient temperature exceeds  $55^\circ\text{C}$ , see [Figure 38](#) for PET2000-12-074RA and [Figure 46](#) for PET2000-12-074NA.

### STANDBY OUTPUT

The standby output exhibits a substantially rectangular output characteristic down to 0 V (no hiccup mode / latch off).

The current limitation of the standby output is independent of the AC input voltage.

Running in current limitation causes the output voltage to fall, this will trigger under voltage protection and disables the main output, see also [Undervoltage Detection](#).

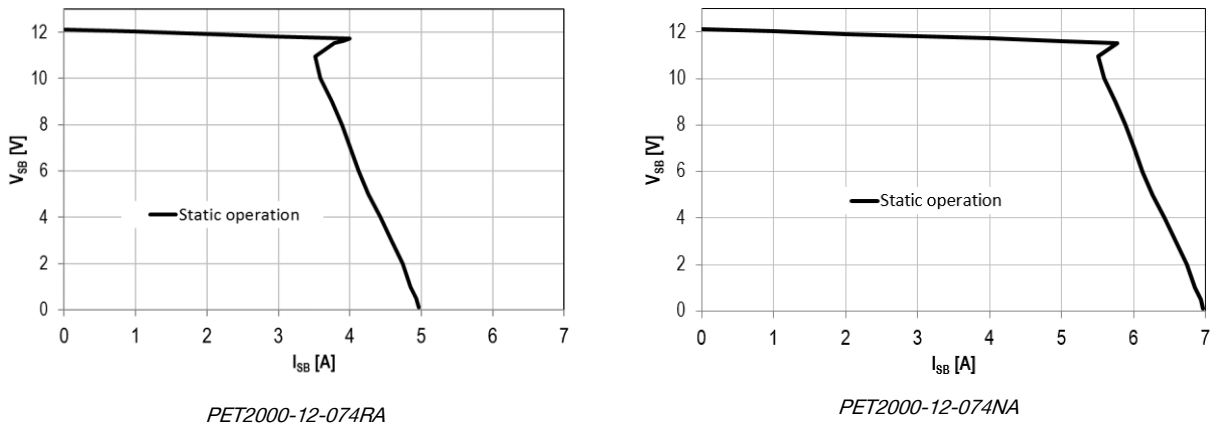


Figure 17. Current Limitation on Vsb

## 7. MONITORING

The power supply operating parameters can be accessed through I<sup>2</sup>C interface. For more details refer to chapter [I2C / POWER MANAGEMENT BUS COMMUNICATION](#) and document URP.00234 (PET Front-End Power Management Bus Communication Manual).

| PARAMETER     | DESCRIPTION / CONDITION  | MIN  | NOM | MAX  | UNIT |
|---------------|--|------|-----|------|------|
| $V_{i\ mon}$  | Input RMS Voltage<br>$V_{i\ min\ LL} \leq V_i \leq V_{i\ max\ HL}$ | -3   |     | +3   | VAC  |
| $I_{i\ mon}$  | $I_i > 6.7\ Arms$  | -3   |     | +3   | %    |
|               | $I_i \leq 6.7\ Arms$   | -0.2 |     | +0.2 | Arms |
| $P_{i\ mon}$  | $P_i > 500\ W$   | -4   |     | +4   | %    |
|               | $50\ W < P_i \leq 500\ W$  | -20  |     | +20  | W    |
| $V_{1\ mon}$  | V1 Voltage   | -0.1 |     | +0.1 | VDC  |
| $I_{1\ mon}$  | $I_1 > 50\ A$  | -1   |     | +1   | %    |
|               | $5\ A < I_1 \leq 50\ A$  | -0.5 |     | +0.5 | ADC  |
| $P_{1\ mon}$  | $P_1 > 1000\ W$  | -1   |     | +1   | %    |
|               | $50\ W < P_1 \leq 1000\ W$   | -10  |     | +10  | W    |
| $V_{SB\ mon}$ | VSB Voltage  | -0.1 |     | +0.1 | VDC  |
| $I_{SB\ mon}$ | VSB Current  | -0.1 |     | +0.1 | ADC  |
| $T_{A\ mon}$  | Inlet Temperature<br>$T_{A\ min} \leq T_A \leq T_{A\ max}$         | -2   |     | +2   | °C   |

## 8. SIGNALING AND CONTROL

### 8.1 ELECTRICAL CHARACTERISTICS

| PARAMETER                      | DESCRIPTION / CONDITION   | MIN   | NOM | MAX  | UNIT |            |
|--------------------------------|---|---|-----|------|------|------------|
| <b>PSON_H / HOTSTANDBYEN_H</b> |   |   |     |      |      |            |
| $V_{IL}$                       | Input Low Level Voltage   | PSON_L: Main output enabled<br>HOTSTANDBYEN_H: Hot Standby mode not allowed |     | -0.2 | 0.8  | V          |
| $V_{IH}$                       | Input High Level Voltage  | PSON_L: Main output disabled<br>HOTSTANDBYEN_H: Hot Standby mode allowed    |     | 2    | 3.5  | V          |
| $I_{IL,H}$                     | Maximum Input Sink or Source Current                              | $V_I = -0.2\text{ V to }+3.5\text{ V}$                                      |     | -1   | 1    | mA         |
| $R_{pull\ up}$                 | Internal Pull up Resistor to internal 3.3 V                       |   |     |      | 10   | k $\Omega$ |
| $R_{LOW}$                      | Maximum external Pull down Resistance to GND to obtain Low Level  |   |     |      | 1    | k $\Omega$ |
| $R_{HIGH}$                     | Minimum external Pull down Resistance to GND to obtain High Level |   |     | 50   |      | k $\Omega$ |
| <b>PWOK_H</b>                  |   |   |     |      |      |            |
| $V_{OL}$                       | Output Low Level Voltage  | $V_I$ or $V_{SB}$ out of regulation, $V_{sink} < 4\text{ mA}$               |     | 0    | 0.4  | V          |
| $V_{OH}$                       | Output High Level Voltage   | $V_I$ and $V_{SB}$ in regulation, $I_{source} < 0.5\text{ mA}$              |     | 2.4  | 3.5  | V          |
| $R_{pull\ up}$                 | Internal Pull up Resistor to internal 3.3 V                       |   |     |      | 1    | k $\Omega$ |
| $I_{OL}$                       | Maximum Sink Current  | $V_O < 0.4\text{ V}$  |     |      | 4    | mA         |

### 8.2 SENSE INPUTS

The main output has sense lines implemented to compensate for voltage drop on load wires in both positive and negative path. The maximum allowed voltage drop is 200 mV on the positive rail and 50 mV on the GND rail.

With open sense inputs the main output voltage will rise by 270 mV. Therefore, if not used, these inputs should be connected to the power output and GND at the power supply connector. The sense inputs are protected against short circuit. In this case the power supply will shut down.

### 8.3 CURRENT SHARE

The PET front-ends have an active current share scheme implemented for  $V_I$ . All the ISHARE current share pins need to be interconnected in order to activate the sharing function. If a supply has an internal fault or is not turned on, it will disconnect its ISHARE pin from the share bus. This will prevent dragging the output down (or up) in such cases.

The current share function uses an analog bus to transmit and receive current share information. The controller implements a Master/Slave current share function. The power supply providing the largest current among the group is automatically the Master. The other supplies will operate as Slaves and increase their output current to a value close to the Master by slightly increasing their output voltage. The voltage increase is limited to +250 mV.

The standby output uses a passive current share method (droop output voltage characteristic).

### 8.4 PSON\_L INPUT

The PSON\_L is an internally pulled-up (3.3 V) input signal to enable/disable the main output  $V_I$  of the front-end. With low level input the main output is enabled. This active-low pin is also used to clear any latched fault condition. The PSON\_L can be either controlled by an open collector device or by a voltage source.

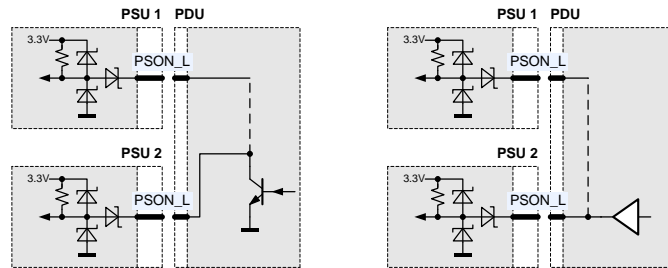


Figure 18. PSON\_L connection

### 8.5 PWOK\_H OUTPUT

The PWOK\_H is an open drain output with an internal pull-up to 3.3 V indicating whether both  $V_{SB}$  and  $V_I$  outputs are within regulation. This pin is active-high.

An external pull down resistor ensures low level when there is no power supply seated. When combining PWOK\_H outputs of several power supplies, circuits as shown in Figure 19 should be used.

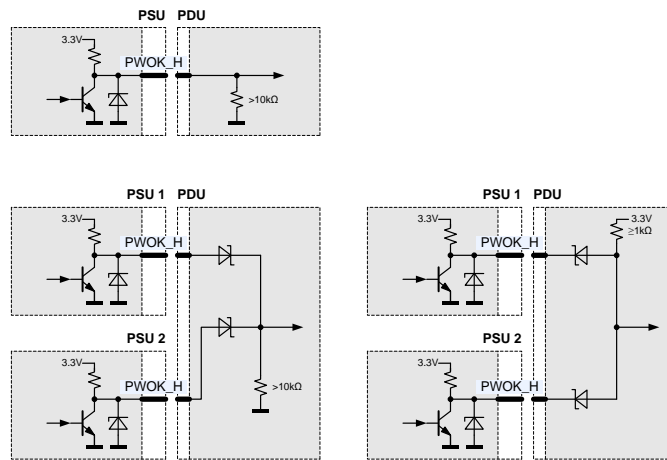


Figure 19. PWOK\_H connection

### 8.6 HOT-STANDBY IN-/OUTPUT

The hot-standby operation is an operating mode allowing to further increase efficiency at light load conditions in a redundant power supply system. Under specific conditions one of the power supplies is allowed to disable its DC/DC stage. This will save the power losses associated with this power supply and at the same time the other power supply will operate in a load range having a better efficiency. In order to enable the hot standby operation, the HOTSTANDBYEN\_H and the ISHARE pins need to be interconnected between the power supplies. A power supply will only be allowed to enter the hot-standby mode, when the HOTSTANDBYEN\_H pin is high, the load current is low, see Figure 20, and the supply was allowed to enter the hot-standby mode by the system controller via the appropriate I<sup>2</sup>C command (by default disabled). The system controller needs to ensure that only one of the power supplies is allowed to enter the hot-standby mode.

If a power supply is in a fault condition, it will pull low its active-high HOTSTANDBYEN\_H pin which indicates to the other power supply that it is not allowed to enter the hot-standby mode or that it needs to return to normal operation should it already have been in the hot-standby mode.

**NOTE:**

The system controller needs to ensure that only one of the power supplies is allowed to enter the hot-standby mode.

Figure 21 shows the achievable power loss savings when using the hot-standby mode operation. A total power loss reduction of approx. 10 W is achievable.

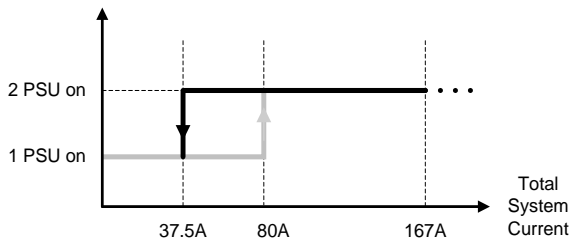


Figure 20. Hot-standby enable/disable current thresholds

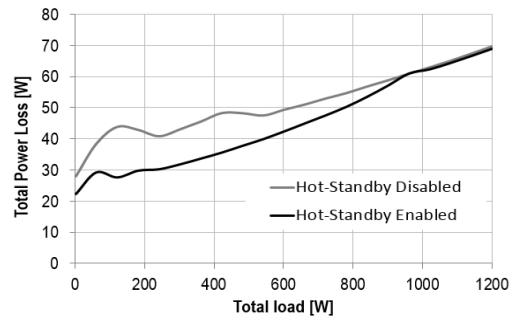


Figure 21. PSU power losses with/without hot-standby mode

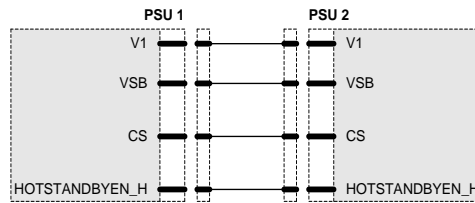


Figure 22. Recommended hot-standby configuration

### 8.7 PRESENT\_L OUTPUT

The PRESENT\_L pin is wired through a 100 Ohms resistor to internal GND within the power supply. This pin does indicate that there is a power supply present in this system slot. An external pull-up resistor has to be added within the application. Current into PRESENT\_L should not exceed 5 mA to guarantee a low level voltage if power supply is seated.

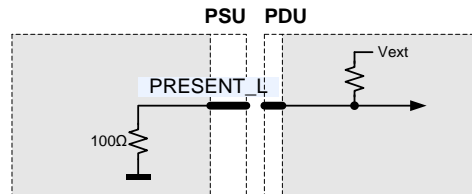


Figure 23. PRESENT\_L connection

### 8.8 SIGNAL TIMING

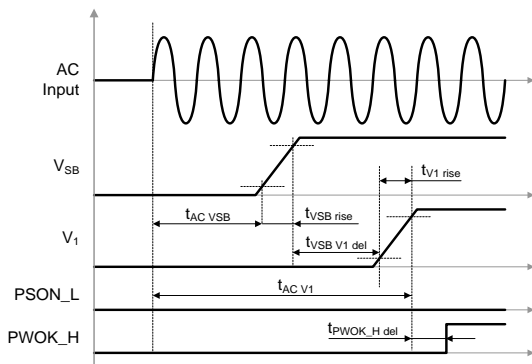


Figure 24. AC turn-on timing

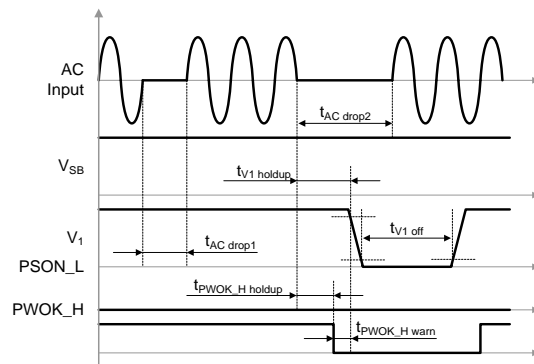


Figure 25. AC short dips

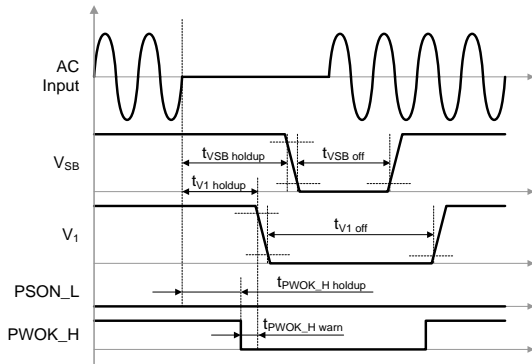


Figure 26. AC long dips

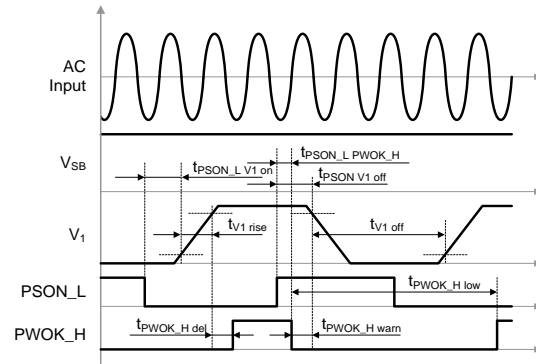


Figure 27. PSON\_L turn-on/off timing

| PARAMETER           | DESCRIPTION / CONDITION  | MIN                                   | NOM | MAX             | UNIT |    |    |
|---------------------|--|---------------------------------------|-----|-----------------|------|----|----|
| $t_{AC VSB}$        | AC Line to 90% $V_{SB}$  |                                       |     | 1.5             | s    |    |    |
| $t_{AC V1}$         | AC Line to 90% $V_1$   |                                       | 1.5 | 4 <sup>10</sup> | s    |    |    |
| $t_{VSB V1 del}$    | $V_{SB}$ to $V_1$ delay  | 50                                    | 150 | 1000            | ms   |    |    |
| $t_{V1 rise}$       | $V_1$ rise time  | See chapter <a href="#">OUTPUT</a>    |     |                 |      |    |    |
| $t_{VSB rise}$      | $V_{SB}$ rise time   | See chapter <a href="#">OUTPUT</a>    |     |                 |      |    |    |
| $t_{AC drop1}$      | AC drop without $V_1$ leaving regulation                             | $0.5 \cdot I_{1 nom}, I_{SB nom}$     |     | 17              | ms   |    |    |
|                     |  | $0.7 \cdot I_{1 nom}, I_{SB nom}$     |     | 13              | ms   |    |    |
|                     |  | $I_{1 nom}, I_{SB nom}$               |     | 5               | ms   |    |    |
| $t_{AC drop2}$      | AC drop without $V_{SB}$ leaving regulation                          | $I_{1 nom}, I_{SB nom}$               |     | 70              | ms   |    |    |
| $t_{V1 holdup}$     | Loss of AC to $V_1$ leaving regulation                               | See chapter <a href="#">INPUT</a>     |     |                 |      |    |    |
| $t_{VSB holdup}$    | Loss of AC to $V_{SB}$ leaving regulation                            | See chapter <a href="#">INPUT</a>     |     |                 |      |    |    |
| $t_{PWOK_H del}$    | Outputs in regulation to PWOK_H asserted                             | 100                                   | 150 | 200             | ms   |    |    |
| $t_{PWOK_H warn}$   | Warning time from de-assertion of PWOK_H to $V_1$ leaving regulation | 0.15                                  |     |                 | ms   |    |    |
| $t_{PWOK_H holdup}$ | Loss of AC to PWOK_H de-asserted                                     | $V_{1 nom HL}, I_{1 nom}, I_{SB nom}$ |     | 10              | ms   |    |    |
| $t_{PWOK_H low}$    | Time PWOK_H is kept low after being de-asserted                      | 100                                   |     |                 | ms   |    |    |
| $t_{PSON_L V1 on}$  | Delay PSON_L active to $V_1$ in regulation                           | $C_{ext} = 0$ mF                      |     | 5               | 10   | 20 | ms |
| $t_{PSON_L V1 off}$ | Delay PSON_L de-asserted to $V_1$ disabled                           | 2                                     | 3   | 4               | ms   |    |    |
| $t_{PSON_L PWOK_H}$ | Delay PSON_L de-asserted to PWOK_H de-asserted                       |                                       | 1   | 2               | ms   |    |    |
| $t_{V1 off}$        | Time $V_1$ is kept off after leaving regulation                      |                                       | 1   |                 | s    |    |    |
| $t_{VSB off}$       | Time $V_{SB}$ is kept off after leaving regulation                   |                                       | 1   |                 | s    |    |    |

<sup>10</sup> At repeated ON-OFF cycles the start-up times may increase by 1s

## 8.9 LED INDICATOR

The front-end has one front LED showing the status of the supply. The LED is bi-colored: green and amber, and indicates AC and DC power presence and warning or fault conditions. [Table 1](#) lists the different LED status.

| OPERATING CONDITION <sup>11</sup>   | LED SIGNALING       |
|---|---------------------|
| No AC or AC Line in UV condition, $V_{SB}$ not present from paralleled power supplies   | Off                 |
| PSON_L High<br>Hot-Standby Mode   | Blinking Green 1 Hz |
| No AC or AC Line in UV condition, $V_{SB}$ present from paralleled power supplies<br>$V_i$ or $V_{SB}$ out of regulation<br>Over temperature shutdown<br>Output over voltage shutdown ( $V_i$ or $V_{SB}$ )<br>Output over current shutdown ( $V_i$ or $V_{SB}$ )<br>Fan error (>15%) | Solid Amber         |
| Over temperature warning<br>Minor fan regulation error (>5%, <15%)  | Blinking Amber 1 Hz |
| Firmware boot loading in process  | Blinking Green 2 Hz |
| Outputs $V_i$ and $V_{SB}$ in regulation  | Solid Green         |

Table 1. LED Status

## 9. I<sup>2</sup>C / POWER MANAGEMENT BUS COMMUNICATION

The PET front-end is a communication Slave device only; it never initiates messages on the I<sup>2</sup>C / SMBus by itself. The communication bus voltage and timing is defined in [Table 2](#) and further characterized through:

- The SDA/SCL IOs use 3.3 V logic levels
- External pull-up resistors on SDA/SCL required for correct signal edges
- Full SMBus clock speed of 100 kbps
- Clock stretching limited to 1 ms
- SCL low time-out of >25 ms with recovery within 10 ms
- Recognizes any time Start/Stop bus conditions

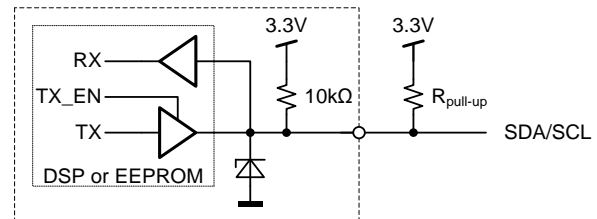


Figure 28. Physical layer of communication interface

Communication to the DSP or the EEPROM will be possible as long as the input AC voltage is provided. If no AC is present, communication to the unit is possible as long as it is connected to a life  $V_{SB}$  output (provided e.g. by the redundant unit). If only  $V_i$  is provided, communication is not possible.

<sup>11</sup> The order of the criteria in the table corresponds to the testing precedence in the controller



| PARAMETER        | DESCRIPTION  | CONDITION                               | MIN           | MAX                      | UNIT          |
|------------------|--|---|---------------|--------------------------|---------------|
| <b>SCL / SDA</b> |  |   |               |                          |               |
| $V_L$            | Input low voltage                                  |   | -0.5          | 1.0                      | V             |
| $V_H$            | Input high voltage                                 |   | 2.3           | 3.5                      | V             |
| $V_{Hys}$        | Input hysteresis                                   |   | 0.15          |                          | V             |
| $V_{OL}$         | Output low voltage                                 | 3 mA sink current                       | 0             | 0.4                      | V             |
| $t_r$            | Rise time for SDA and SCL                          |   | $20+0.1C_b^1$ | 300                      | ns            |
| $t_{of}$         | Output fall time $V_{IHmin} \rightarrow V_{ILmax}$ | $10\text{ pF} < C_b^1 < 400\text{ pF}$  | $20+0.1C_b^1$ | 250                      | ns            |
| $I_i$            | Input current SCL/SDA                              | $0.1\text{ VDD} < V_i < 0.9\text{ VDD}$ | -10           | 10                       | $\mu\text{A}$ |
| $C_i$            | Internal Capacitance for each SCL/SDA              |   |               | 50                       | pF            |
| $f_{SCL}$        | SCL clock frequency                                |   | 0             | 100                      | kHz           |
| $R_{pull-up}$    | External pull-up resistor                          | $f_{SCL} \leq 100\text{ kHz}$           |               | $1000\text{ ns} / C_b^1$ | $\Omega$      |
| $t_{HDSTA}$      | Hold time (repeated) START                         | $f_{SCL} \leq 100\text{ kHz}$           | 4.0           |                          | $\mu\text{s}$ |
| $t_{LOW}$        | Low period of the SCL clock                        | $f_{SCL} \leq 100\text{ kHz}$           | 4.7           |                          | $\mu\text{s}$ |
| $t_{HIGH}$       | High period of the SCL clock                       | $f_{SCL} \leq 100\text{ kHz}$           | 4.0           |                          | $\mu\text{s}$ |
| $t_{SUSTA}$      | Setup time for a repeated START                    | $f_{SCL} \leq 100\text{ kHz}$           | 4.7           |                          | $\mu\text{s}$ |
| $t_{HDDAT}$      | Data hold time                                     | $f_{SCL} \leq 100\text{ kHz}$           | 0             | 3.45                     | $\mu\text{s}$ |
| $t_{SUDAT}$      | Data setup time                                    | $f_{SCL} \leq 100\text{ kHz}$           | 250           |                          | ns            |
| $t_{SUSTO}$      | Setup time for STOP condition                      | $f_{SCL} \leq 100\text{ kHz}$           | 4.0           |                          | $\mu\text{s}$ |
| $t_{BUF}$        | Bus free time between STOP and START               | $f_{SCL} \leq 100\text{ kHz}$           | 5             |                          | ms            |

<sup>1</sup>  $C_b$  = Capacitance of bus line in pF, typically in the range of 10...400 pF

Table 2. I<sup>2</sup>C / SMBus Specification

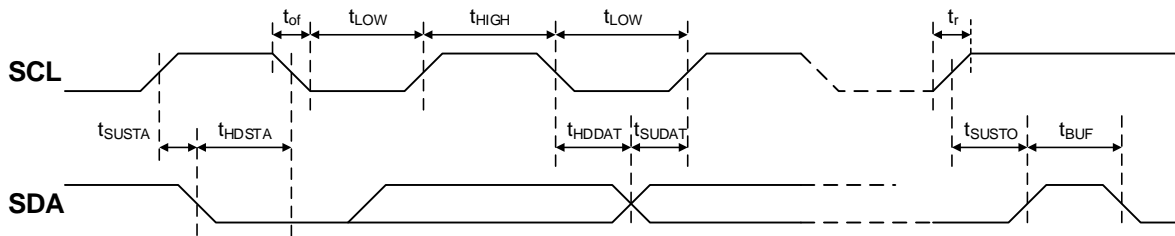


Figure 29. I<sup>2</sup>C / SMBus Timing

**ADDRESS SELECTION**

The address for I<sup>2</sup>C communication can be configured by pulling address input pins A2, A1 and A0 either to GND (Logic Low) or leave them open (Logic High). An internal pull up resistor will cause the A2 / A1 / A0 pin to be in High Level if left open. A fixed addressing offset exists between the Controller and the EEPROM.



|                   |                     |                 |
|-------------------|---------------------|-----------------|
| Asia-Pacific      | Europe, Middle East | North America   |
| +86 755 298 85888 | +353 61 225 977     | +1 408 785 5200 |

| A2 | A1 | A0 | I2C Address <sup>12</sup> |        |
|----|----|----|---------------------------|--------|
|    |    |    | Controller                | EEPROM |
| 0  | 0  | 0  | 0xB0                      | 0xA0   |
| 0  | 0  | 1  | 0xB2                      | 0xA2   |
| 0  | 1  | 0  | 0xB4                      | 0xA4   |
| 0  | 1  | 1  | 0xB6                      | 0xA6   |
| 1  | 0  | 0  | 0xB8                      | 0xA8   |
| 1  | 0  | 1  | 0xBA                      | 0xAA   |
| 1  | 1  | 0  | 0xBC                      | 0xAC   |
| 1  | 1  | 1  | 0xBE                      | 0xAE   |

Table 3. Address and protocol encoding

### 9.1 SMBALERT\_L OUTPUT

The SMBALERT\_L signal indicates that the power supply is experiencing a problem that the system agent should investigate. This is a logical OR of the Shutdown and Warning events. It is asserted (pulled Low) at Shutdown or Warning events such as reaching temperature warning/shutdown threshold of critical component, general failure, over-current, over-voltage, under-voltage or low-speed of a failed fan. This signal may also indicate the power supply is operating in an environment exceeding the specified limits.

The SMBAlert signal is asserted simultaneously with the LED turning to solid amber or blinking amber.

| PARAMETER          | DESCRIPTION / CONDITION                     | MIN  | NOM | MAX  | UNIT          |
|--------------------|---|--|-----|------|---------------|
| <b>SMB_ALERT_L</b> |   |  |     |      |               |
| $V_{ext}$          | Maximum External Pull up Voltage            |  |     | 12   | V             |
| $I_{OH}$           | Maximum High Level Leakage Current          | No Failure or Warning condition, $V_O = 12\text{ V}$   |     | 10   | $\mu\text{A}$ |
| $V_{OL}$           | Output Low Level Voltage                    | Failure or Warning condition, $I_{sink} < 4\text{ mA}$ |     | 0.4  | V             |
| $R_{pull\ up}$     | Internal Pull up Resistor to internal 3.3 V |  |     | None |               |
| $I_{OL}$           | Maximum Sink Current                        | $V_O < 0.4\text{ V}$                                   |     | 4    | mA            |

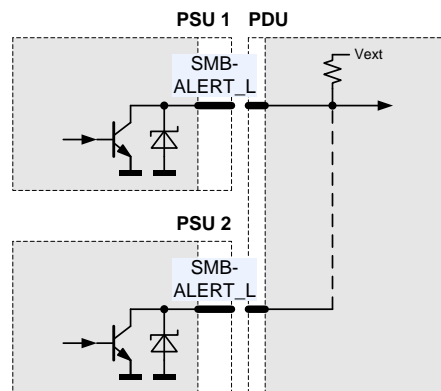


Figure 30. SMBALERT\_L connection

<sup>12</sup> The LSB of the address byte is the R/W bit

### 9.2 CONTROLLER AND EEPROM ACCESS

The controller and the EEPROM in the power supply share the same I<sup>2</sup>C bus physical layer (see *Figure 31*) and can be accessed under different addresses, see ADDRESS SELECTION.

The SDA/SCL lines are connected directly to the controller and EEPROM which are supplied by internal 3.3 V.

The EEPROM provides 256 bytes of user memory. None of the bytes are used for the operation of the power supply.

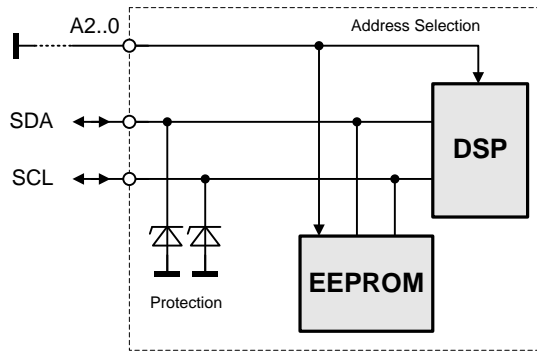


Figure 31. I<sup>2</sup>C Bus to DSP and EEPROM

### 9.3 EEPROM PROTOCOL

The EEPROM follows the industry communication protocols used for this type of device. Even though page write / read commands are defined, it is recommended to use the single byte write / read commands.

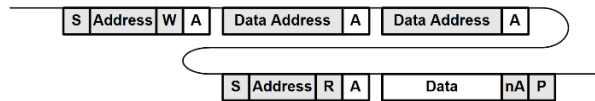
#### WRITE

The write command follows the “SMBus 1.1 Write Byte Protocol”. After the device address with the write bit cleared, the Two Byte Data Address is sent followed by the data byte and the STOP condition. A new START condition on the bus should only occur after 5ms of the last STOP condition to allow the EEPROM to write the data into its memory.



#### READ

The read command follows the “SMBus 1.1 Read Byte Protocol”. After the device address with the write bit cleared the two byte data address is sent followed by a repeated start, the device address and the read bit set. The EEPROM will respond with the data byte at the specified location.



### 9.4 POWER MANAGEMENT BUS PROTOCOL

The Power Management Bus is an open standard protocol that defines means of communicating with power conversion and other devices. For more information, please see the System Management Interface Forum web site at: [www.powerSIG.org](http://www.powerSIG.org).

Power Management Bus command codes are not register addresses. They describe a specific command to be executed. PET2000-12-074xA supply supports the following basic command structures:

- Clock stretching limited to 1 ms
- SCL low time-out of >25 ms with recovery within 10 ms
- Recognized any time Start/Stop bus conditions



a bel group

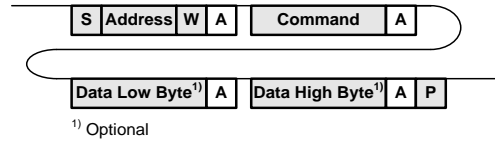
Asia-Pacific  
+86 755 298 85888

Europe, Middle East  
+353 61 225 977

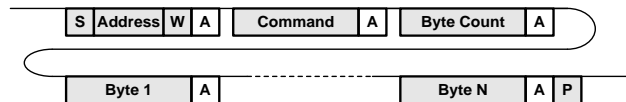
North America  
+1 408 785 5200

**WRITE**

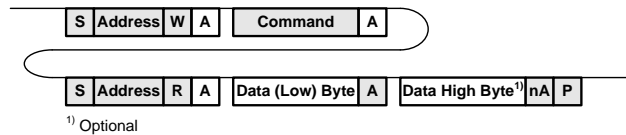
The write protocol is the SMBus 1.1 Write Byte/Word protocol. Note that the write protocol may end after the command byte or after the first data byte (Byte command) or then after sending 2 data bytes (Word command).



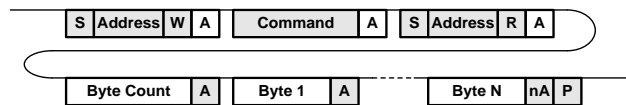
In addition, Block write commands are supported with a total maximum length of 255 bytes. See PET2000-12-074xA Power Management Bus Communication Manual URP.00234 for further information.

**READ**

The read protocol is the SMBus 1.1 Read Byte/Word protocol. Note that the read protocol may request a single byte or word.



In addition, Block read commands are supported with a total maximum length of 255 bytes. See PET2000-12-074xA Power Management Bus Communication Manual URP.00234 for further information.

**9.5 GRAPHICAL USER INTERFACE**

Bel Power Solutions provides with its "I<sup>2</sup>C Utility" a Windows® XP/Vista/Win7 compatible graphical user interface allowing the programming and monitoring of the PET2000-12-074xA Front-End.

The utility can be downloaded on: [belfuse.com/power-solutions](http://belfuse.com/power-solutions) and supports both the PSMI and Power Management Bus protocols.

The GUI allows automatic discovery of the units connected to the communication bus and will show them in the navigation tree. In the monitoring view the power supply can be controlled and monitored.

If the GUI is used in conjunction with the YTM.00046 Evaluation Board it is also possible to control the PSON\_L pin of the power supply. Refer to BCG.00809 for YTM.00046 connection and GUI configuration.

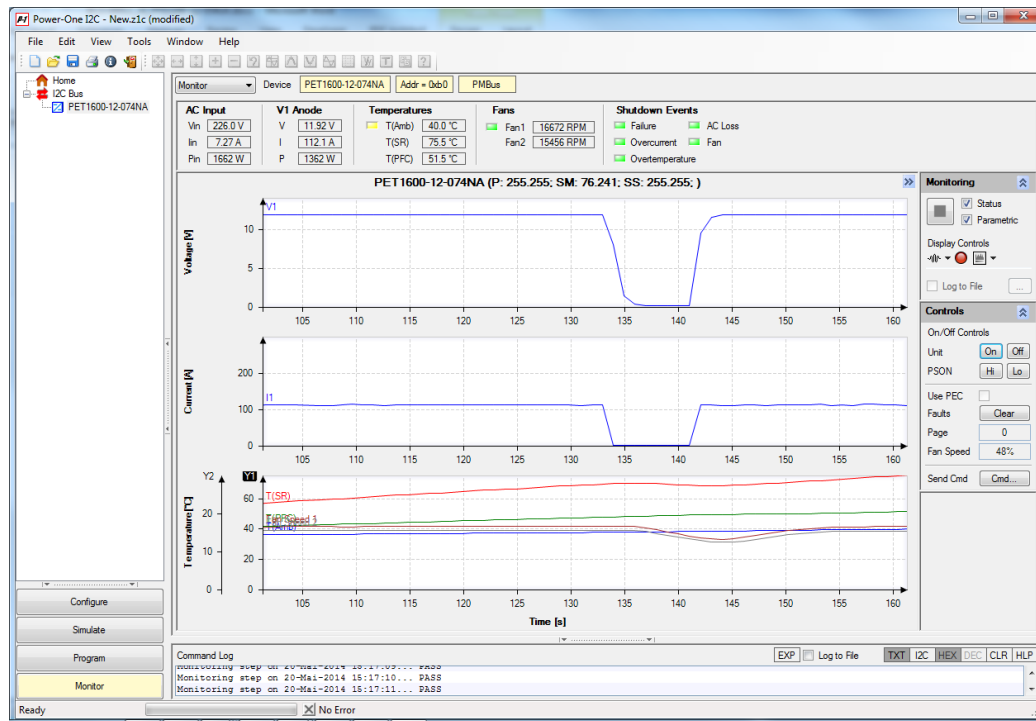


Figure 32. Monitoring dialog of the PC Utility

## 10. TEMPERATURE AND FAN CONTROL

### 10.1 FAN CONTROL

To achieve best cooling results sufficient airflow through the supply must be ensured. Do not block or obstruct the airflow at the rear of the supply by placing large objects directly at the output connector. The PET2000-12-074RA is provided with a front to rear airflow, which means the air enters on the AC-inlet side of the supply and leaves at the DC-output, while the PET2000-12-074NA is provided with a rear to front airflow, which means the air enters through the DC-output of the supply and leaves at the AC-inlet side, as shown in [Figure 33](#).

The PET2000-12-074xA supply has been designed for horizontal operation.

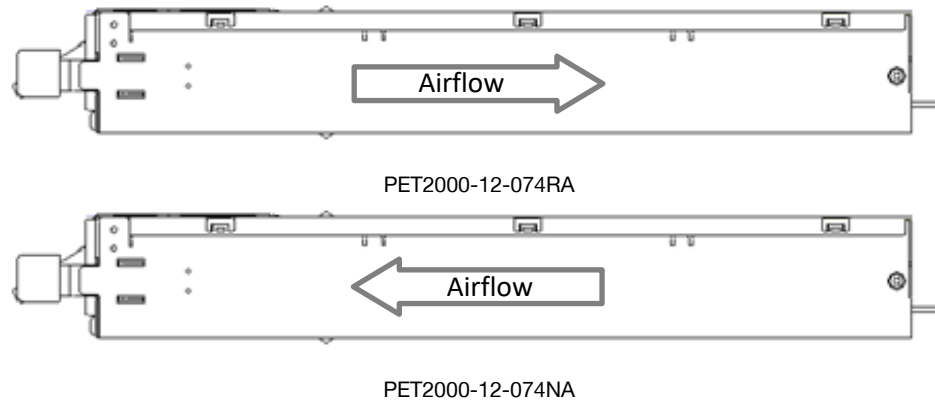


Figure 33. Airflow direction

The fan inside the supply is controlled by a microprocessor. The rpm of the fan is adjusted to ensure optimal supply cooling and is a function of output power. Three different curves are selected based on input voltage and inlet temperature. With standby output loaded the fan speed minimum is limited to ensure enough cooling of circuits providing standby power. [Figure 34](#) illustrates the programmed fan curves.

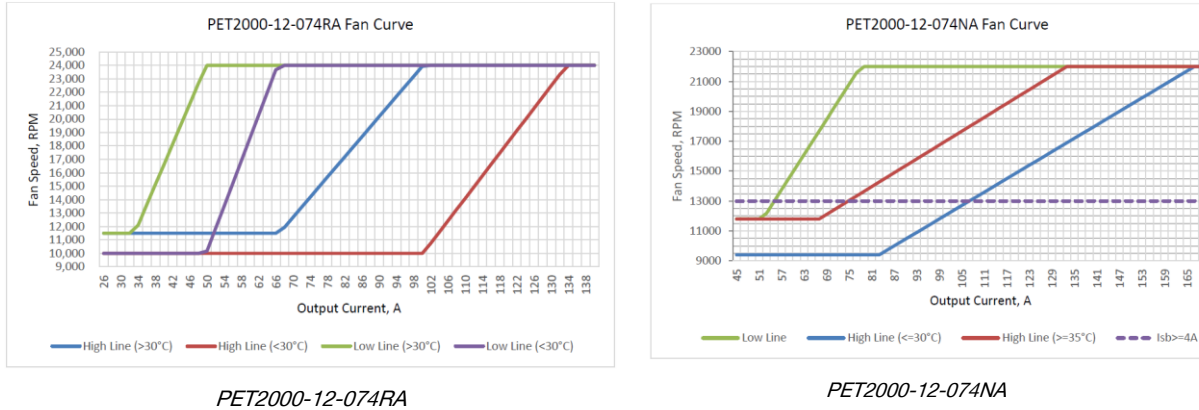


Figure 34. Fan speed vs. main output load

## 10.2 TEMPERATURE MONITOR AND OVER TEMPERATURE PROTECTION

PET2000-12-074xA provides access via I<sup>2</sup>C to the measured temperatures of in total 6 sensors within the power supply, see [Table 4](#). The microprocessor is monitoring these temperatures and if warning threshold of one of these sensors is reached it will set fan to maximum speed. If temperatures continue to rise above shut down threshold the main output  $V_o$  (or  $V_{SB}$  if auxiliary converter is affected) will be disabled. At the same time the warning or fault condition is signaled accordingly through LED, PWOK\_H and SMBALERT\_L.

| TEMPERATURE SENSOR      | DESCRIPTION / CONDITION                                 | POWER MANAGEMENT BUS REGISTER | WARNING THRESHOLD | SHUTDOWN THRESHOLD |
|-------------------------|---|-------------------------------|-------------------|--------------------|
| <b>PET2000-12-074RA</b> |   |                               |                   |                    |
| Inlet Air Temperature   | Sensor located on control board close to DC end of PSU  | 8Dh                           | 61°C              | 63°C               |
| Synchronous Rectifier   | Sensor located on secondary side of DC/DC stage         | 8Eh                           | 105°C             | 110°C              |
| Primary Heat Sink       | Sensor located on primary heat sink                     | 8Fh                           | 96°C              | 101°C              |
| Output ORing Element    | Sensor located close to output                          | D2h                           | 105°C             | 110°C              |
| Auxiliary Converter     | Sensor located on secondary side on auxiliary rectifier | D3h                           | 95°C              | 100°C              |
| Outlet Ambient          | Sensor located near output connector                    | D4h                           | 85°C              | 90°C               |
| <b>PET2000-12-074NA</b> |   |                               |                   |                    |
| Inlet Air Temperature   | Sensor located on control board close to DC end of PSU  | 8Dh                           | 75°C              | 78°C               |
| Synchronous Rectifier   | Sensor located on secondary side of DC/DC stage         | 8Eh                           | 95°C              | 100°C              |
| Primary Heat Sink       | Sensor located on primary heat sink                     | 8Fh                           | 87°C              | 92°C               |
| Output ORing Element    | Sensor located close to output                          | D2h                           | 100°C             | 105°C              |
| Auxiliary Converter     | Sensor located on secondary side on auxiliary rectifier | D3h                           | 80°C              | 85°C               |
| Bridge Rectifier        | Sensor located on heat sink for AC rectifier            | D4h                           | 86°C              | 91°C               |

Table 4. Temperature sensor location and thresholds

**10.3 MAXIMUM OUTPUT POWER VERSUS INLET TEMPERATURE FOR SAFETY COMPLIANCY**

For safety compliant operation the power supply must not exceed specified operating conditions specified herein. These operating conditions ensure the input AC connector is operated within its ratings.

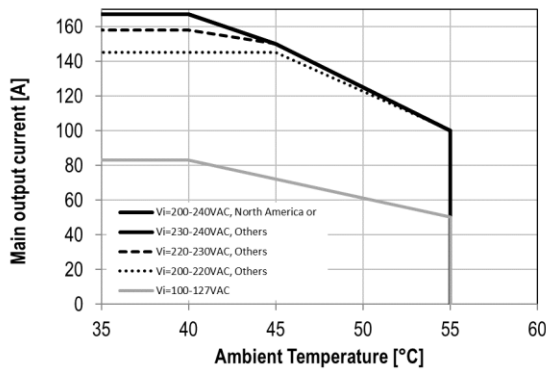
The different input AC connectors and regional usage is not considered in this implementation of current limitation. Therefore, it is under the responsibility of the user to ensure safety compliant operation.

**10.3.1 PET2000-12-074RA**

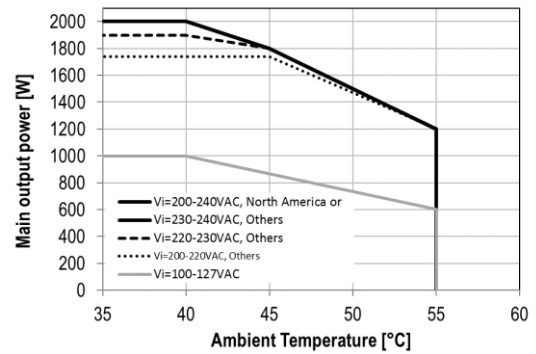
Between 0°C and 40°C power supply inlet temperature the maximum allowed output power is only depending on AC input connector type chosen, regional usage and the applied nominal input AC voltage. Above 40°C the maximum output power is further reduced with rising temperature. *Figure 35* to *Figure 38* illustrate these maximum current and power levels.

The mentioned power levels are related to main output power only, in addition the standby output can be operated up to 5 A with derating to 3 A as shown in *Figure 37*.

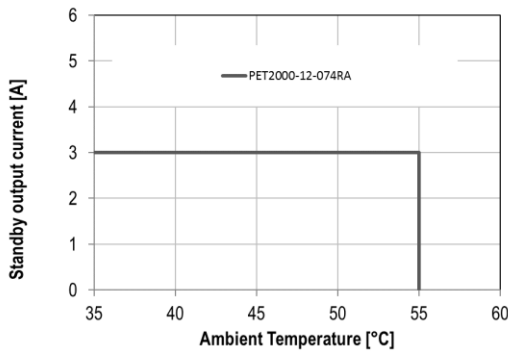
Above 55°C the power supply is adjusting the current limit level  $I_{I OC Slow}$  depending on input voltage range (100-127 VAC or 200-240 VAC) and inlet temperature, as shown in *Figure 38* to protect the power supply from excessive component temperatures.



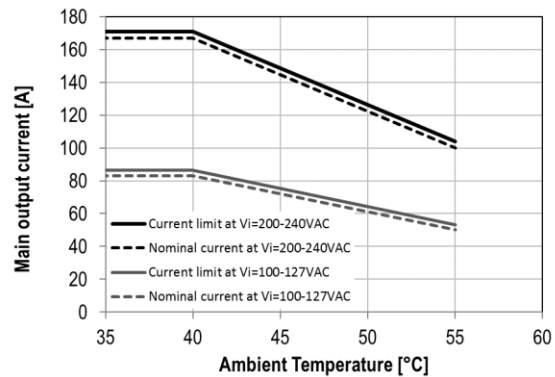
*Figure 35. Maximum  $I_1$  PET2000-12-074RA (IEC 60320-C14)*



*Figure 36. Maximum  $P_1$  PET2000-12-074RA (IEC 60320-C14)*



*Figure 37. Maximum ISB*



*Figure 38. Current limitation vs temperature*

10.3.2 PET2000-12-074NA

Between 0°C and 55°C power supply inlet temperature the maximum allowed output power is only depending on AC input connector type chosen, regional usage and the applied nominal input AC voltage. Above 55°C the maximum output power is further reduced with rising temperature. Figure 39 to Figure 44 illustrate these maximum current and power levels.

The mentioned power levels are related to main output power only, in addition the standby output can be operated up to 5 A with derating to 3 A as shown in Figure 45.

Above 55°C the power supply is adjusting the current limit level  $I_{1 OC Slow}$  depending on input voltage range (100-127 VAC or 200-240 VAC) and inlet temperature, as shown in Figure 46.

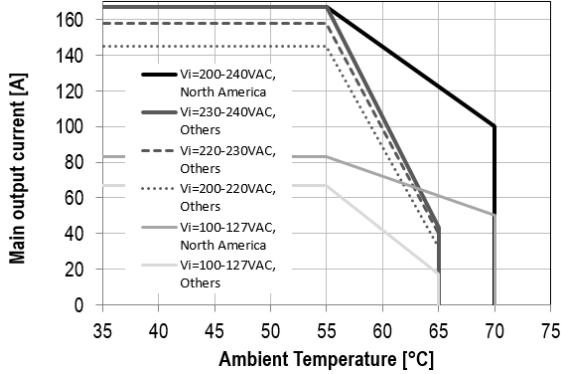


Figure 39. Maximum  $I_1$  PET2000-12-074NA (IEC 60320-C14)

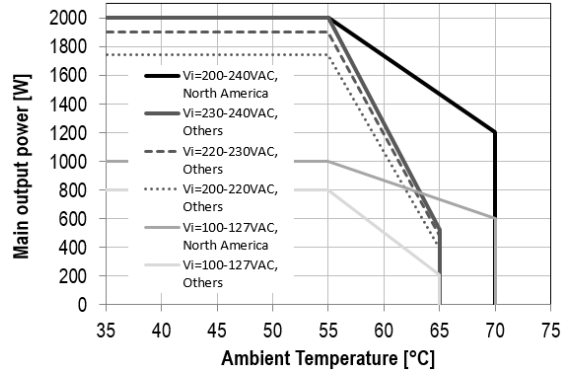


Figure 40. Maximum  $P_1$  PET2000-12-074NA (IEC 60320-C14)

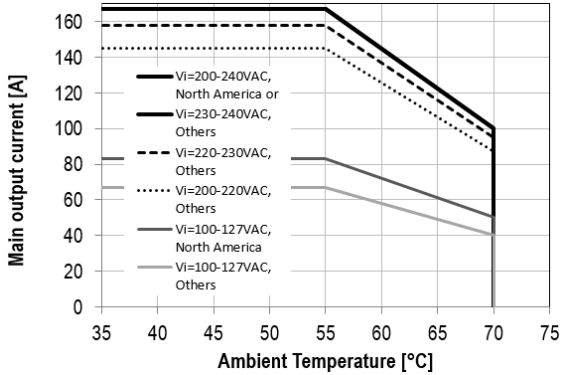


Figure 41. Maximum  $I_1$  PET2000-12-074NAC (IEC 60320-C16)

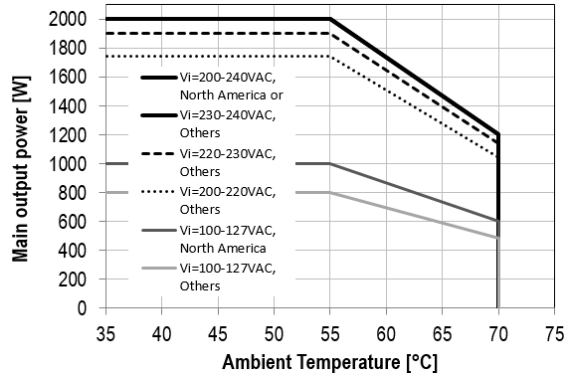


Figure 42. Maximum  $P_1$  PET2000-12-074NAC (IEC 60320-C16)

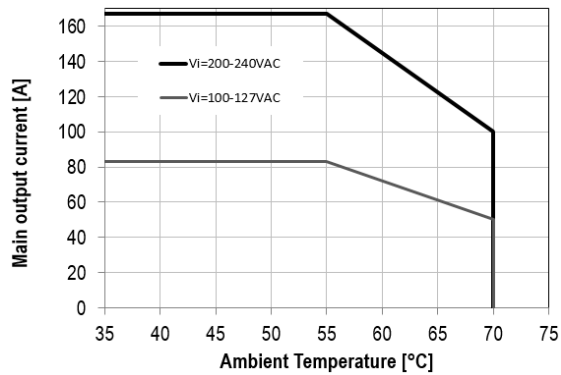


Figure 43. Maximum  $I_1$  PET2000-12-074NAA (Anderson Saf-D-Grid®)

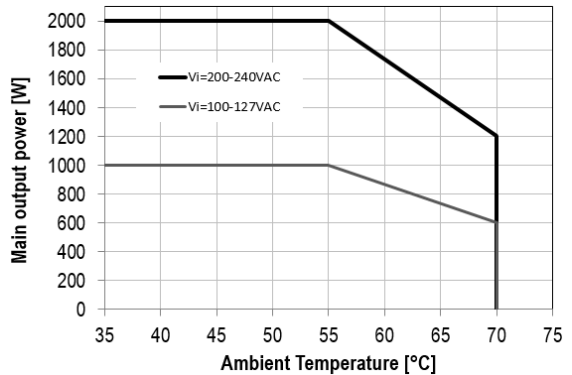


Figure 44. Maximum  $P_1$  PET2000-12-074NAA (Anderson Saf-D-Grid®)



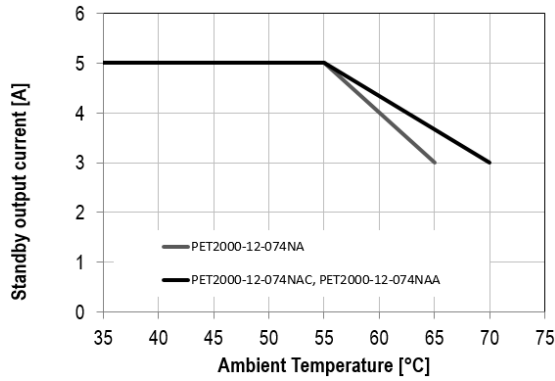


Figure 45. Maximum ISB

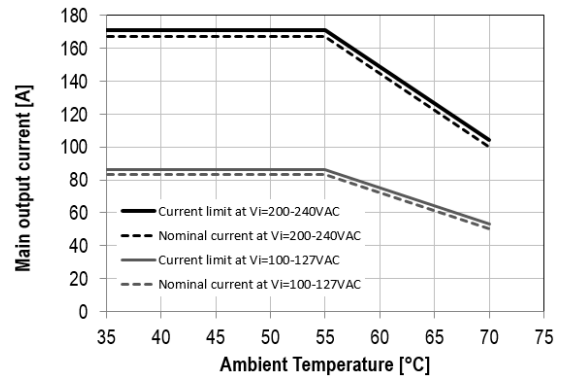


Figure 46. Current limitation vs temperature

## 11. ELECTROMAGNETIC COMPATIBILITY

### 11.1 IMMUNITY

| PARAMETER                       | DESCRIPTION / CONDITION  | CRITERION  |
|---------------------------------|--|--|
| ESD Contact Discharge           | IEC / EN 61000-4-2, ±8 kV, 25+25 discharges per test point (metallic case, LED, connector body)  | A  |
| ESD Air Discharge               | IEC / EN 61000-4-2, ±15 kV, 25+25 discharges per test point (non-metallic user accessible surfaces)  | A  |
| Radiated Electromagnetics Filed | IEC / EN 61000-4-3, 10 V/m, 1 kHz/80% Amplitude Modulation, 1µs Pulse Modulation, 10 kHz ... 2 GHz   | A  |
| Burst                           | IEC / EN 61000-4-4, Level 3<br>AC port ±2 kV, 1 minute   | A  |
| Surge                           | IEC / EN 61000-4-5, Level 3<br>Line to Earth: ±2 kV<br>Line to Line: ±1 kV   | A  |
| RF Conducted Immunity           | IEC / EN 61000-4-6, Level 3, 10 Vrms, CW, 0.1 ... 80 MHz   | A  |
| Voltage Dips and Interruptions  | IEC / EN 61000-4-11<br>Vi 230VAC / 50 Hz, 90% load, Phase 0°, Dip 100% , duration 10 ms<br>Vi 200VAC / 50 Hz, 70% load, Phase 0°, Dip 30% , duration 500 ms<br>Vi 200VAC / 50 Hz, 100% load, Phase 0°, Dip 20% , duration 10 s | Vi: A, V <sub>SE</sub> : A<br>Vi: A, V <sub>SE</sub> : A<br>Vi: A, V <sub>SE</sub> : A |

### 11.2 EMISSION

| PARAMETER          | DESCRIPTION / CONDITION  | CRITERION              |
|--------------------|--|------------------------|
| Conducted Emission | EN 55022 / CISPR 22: 0.15 ... 30 MHz, QP and AVG, single power supply          | Class A<br>6 dB margin |
|                    | EN 55022 / CISPR 22: 0.15 ... 30 MHz, QP and AVG, 2 power supplies in a system | Class A                |
| Radiated Emission  | EN 55022 / CISPR 22: 30 MHz ... 1 GHz, QP, single power supply                 | Class A<br>6 dB margin |
|                    | EN 55022 / CISPR 22: 30 MHz ... 1 GHz, QP, 2 power supplies in a system        | Class A                |
| Harmonic Emissions | IEC 61000-3-2, Vi = 115 VAC / 60 Hz & 230 VAC / 50 Hz, 100% Load               | Class A                |
| AC Flicker         | IEC 61000-3-3, Vi = 230 VAC / 50Hz, 100% Load                                  | Pass                   |
| Acoustical Noise   | Distance at bystander position, 25°C, 50% Load                                 | 65 dBA                 |

## 12. SAFETY / APPROVALS

Maximum electric strength testing is performed in the factory according to IEC/EN 60950, and UL 60950. Input-to-output electric strength tests should not be repeated in the field. Bel Power Solutions will not honor any warranty claims resulting from electric strength field tests.

| PARAMETER                | DESCRIPTION / CONDITION  | NOTES   |
|--------------------------|--|---|
| Agency Approvals         | Approved to latest edition of the following standards:<br>UL/CSA60950-1, IEC60950-1 and EN60950-1.<br>NEMKO NO86275, EAC NO 0230738, COC | Approved  |
| Grade of Insulation      | Input (L/N) to chassis (PE)<br>Input (L/N) to output<br>Output to chassis  | Basic<br>Reinforced<br>None (Direct connection) |
| Creepage / Clearance     | Primary (L/N) to chassis (PE)<br>Primary to secondary  |   |
| Electrical Strength Test | Input to chassis<br>Input to output (tested by manufacturer only)  | Min. 2121 VDC<br>4242 VDC                       |

## 13. ENVIRONMENTAL

| PARAMETER                              | DESCRIPTION / CONDITION                                | MIN | NOM | MAX         | UNIT               |
|--|--|-----|-----|-------------|--------------------|
| $T_A$ Ambient Temperature              | Up to 1'000 m ASL                                      | 0   |     | +40<br>+55* | °C                 |
|  | Linear derating from 1'000 to 3'048 m ASL              |     |     | +35<br>+45* | °C                 |
| $T_{A\ ext}$ Extended Temp. Range      | Reduced output power <sup>13</sup> , up to 1'000 m ASL |     |     | +55<br>+70* | °C                 |
|  | Linear derating from 1'000 to 3'048 m ASL              |     |     | +50<br>+60* |                    |
| $T_S$ Storage Temperature              | Non-operational  | -20 |     | +70         | °C                 |
|  | Operational, above Sea Level                           | -   |     | 3'048       | m                  |
| Altitude                               | Operational, above Sea Level                           | -   |     | 3'048       | m                  |
|  | Non-operational, above Sea Level                       | -   |     | 10'600      | m                  |
| Shock, operational                     | Half sine, 11ms, 10 shocks per direction,              |     |     | 1           | g peak             |
| Shock, non-operational                 | 6 directions   |     |     | 30          | g peak             |
| Vibration, sinusoidal, operational     | IEC/EN 60068-2-6, sweep 5 to 500 to 5 Hz,              |     |     | 1           | g peak             |
| Vibration, sinusoidal, non-operational | 1 octave/min, 5 sweep per axis                         |     |     | 4           | g peak             |
| Vibration, random, non-operational     | IEC/EN 60068-2-64, 5 to 500 Hz,<br>1 hour per axis     |     |     | 0.025       | g <sup>2</sup> /Hz |

\* Max temperature values for PET2000-12-074NA model.

## 14. RELIABILITY

| PARAMETER                   | DESCRIPTION / CONDITION   | MIN | NOM | MAX | UNIT |
|-----------------------------|---|-----|-----|-----|------|
| $MTBF$ Mean time to failure | $T_A = 25^\circ\text{C}$ , according Telcordia SR-332, issue 3, GB,<br>confidence level = 90% | 860 |     |     | kh   |

## 15. MECHANICAL

| PARAMETER  | DESCRIPTION / CONDITION | MIN | NOM   | MAX | UNIT |
|------------|-------------------------|-----|-------|-----|------|
| Dimensions | Width                   |     | 73.5  |     | mm   |
|            | Height                  |     | 40.0  |     | mm   |
|            | Depth                   |     | 265.0 |     | mm   |
| $m$ Weight |                         |     | 1.1   |     | kg   |

<sup>13</sup> See chapter 10.3

15.1 OUTLINE PET2000-12-074xA, PET2000-12-074xAC

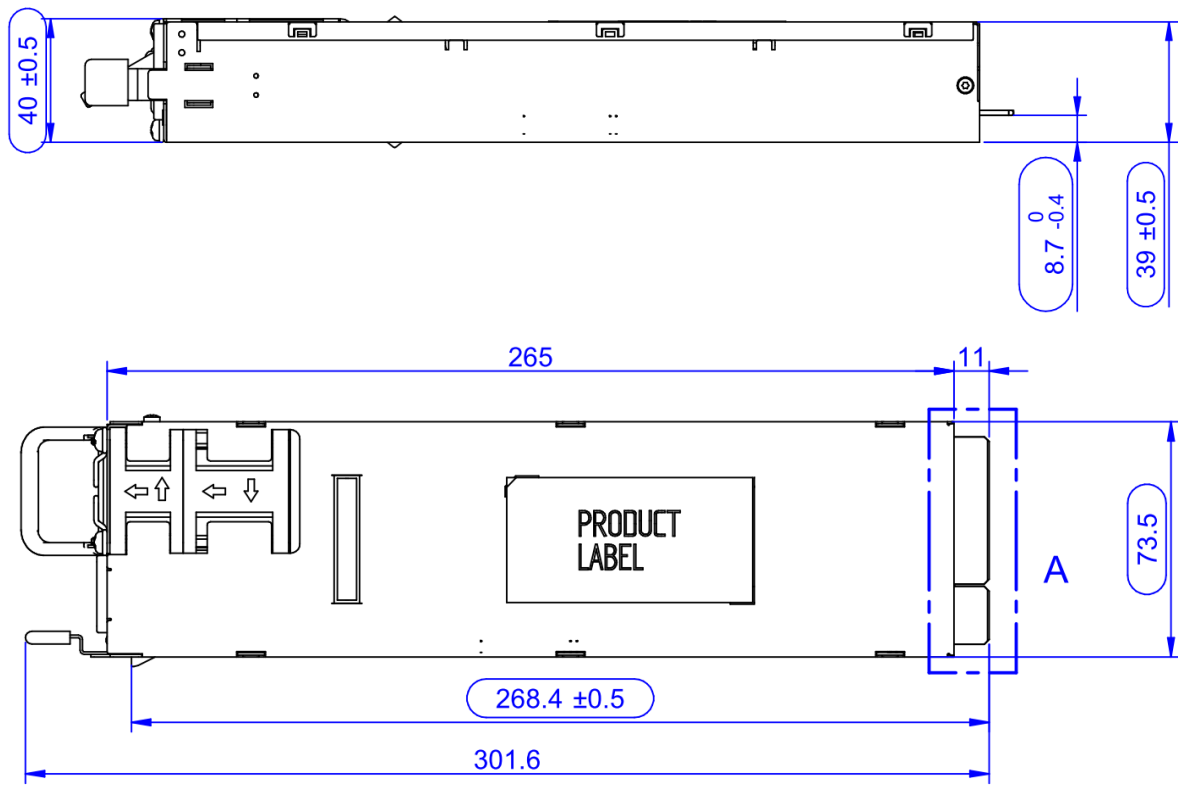


Figure 47. Top and side view

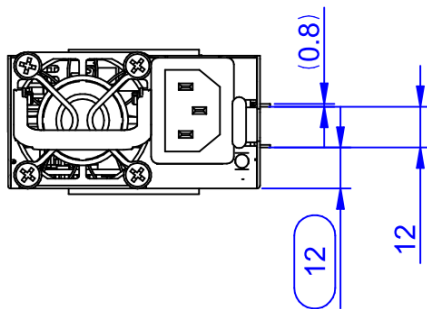


Figure 48. Front view

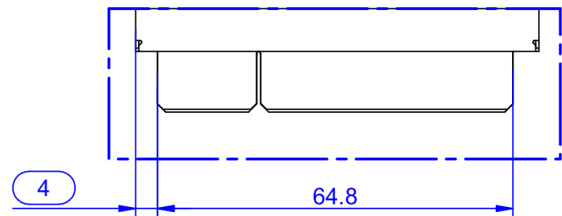


Figure 49. Rear view

15.2 OUTLINE PET2000-12-074NAA

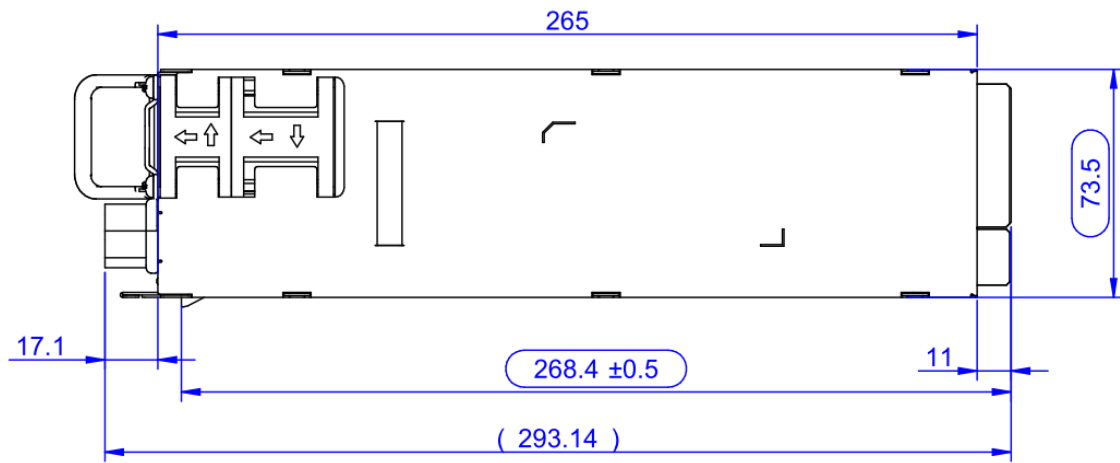
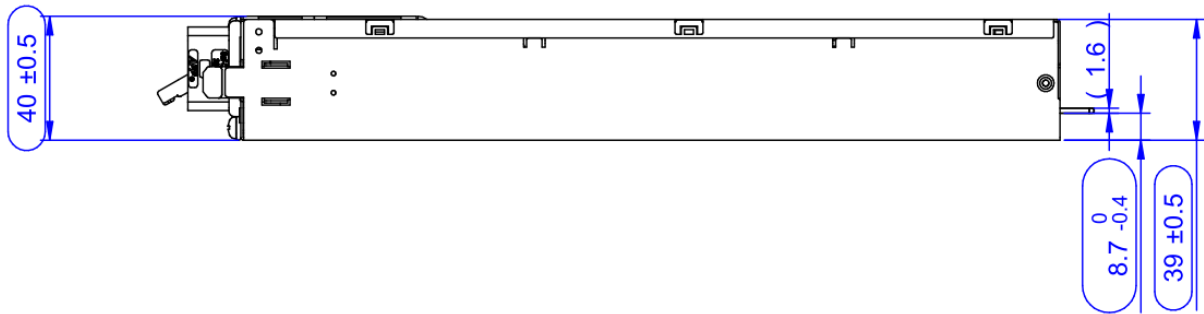


Figure 50. Top and side view

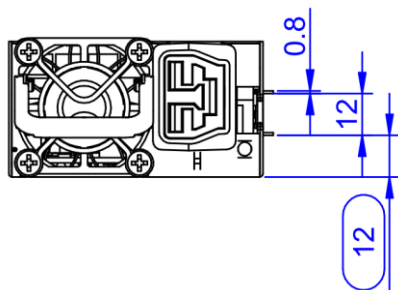


Figure 51. Front view

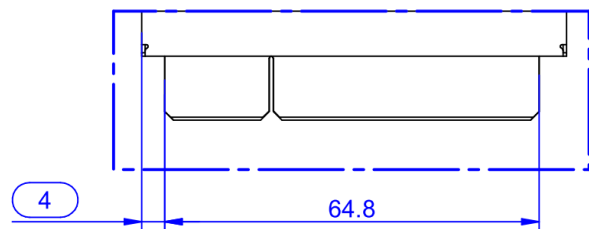


Figure 52. Detail A

### 15.3 OPTION OF ADDING KEYING SCREW

A thread added to the side of the PET2000-12-074xA allows the user to add a screw to prevent the PET2000-12-074xA from being inserted into systems using other card edge connector types with the same power supply width and height. In such case, systems using PET2000-12-074xA must have a slot of  $\varnothing 6$  mm x 14 mm implemented to allow PET2000-12-074xA to be inserted. The maximum size of the screw head is  $\varnothing 6$  mm and height 2.12 mm.

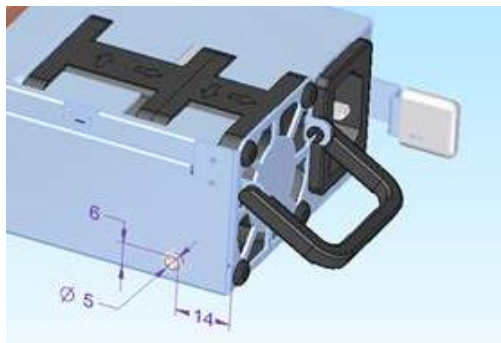


Figure 53. Polarizing screw

### 15.4 OUTPUT CONNECTOR PIN LOCATIONS

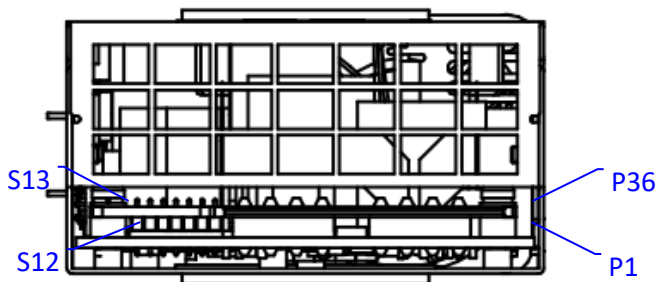


Figure 54. Rear view

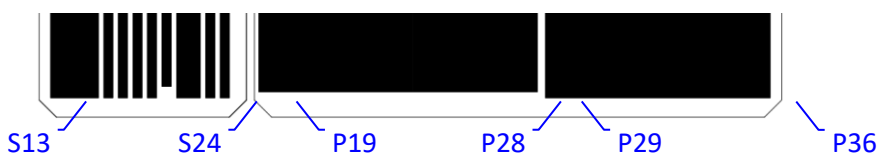


Figure 55. Card edge PCB top view

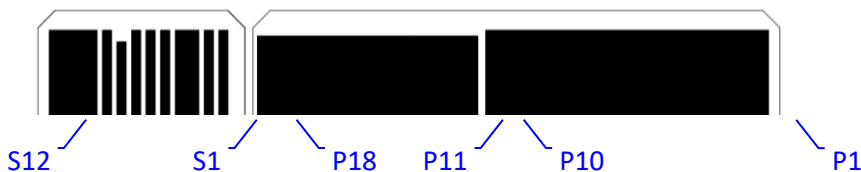


Figure 56. Card edge PCB bottom view

### 16. CONNECTORS

| PARAMETER               | DESCRIPTION / CONDITION  | MIN | NOM | MAX | UNIT |
|-------------------------|--|-----|-----|-----|------|
| AC inlet                | PET2000-12-074xA : IEC 60320-C14<br>PET2000-12-074xAC : IEC 60320-C16<br>PET2000-12-074NAA: Anderson Saf-D-Grid®, P/N 2006G1 |     |     |     |      |
| AC cord requirement     | Wire size  | 16  |     |     | AWG  |
| Output connector        | 36 Power- + 24 Signal-Pins PCB card edge<br>Manufacturer: FCI Electronics  |     |     |     |      |
| Mating output connector | Manufacturer P/N: 10130248-005LF (see <i>Figure 59</i> for option x)<br>Bel Power Solutions P/N: ZES.00678                   |     |     |     |      |

#### 16.1 MATING OUTPUT CONNECTOR SPECIFICATION

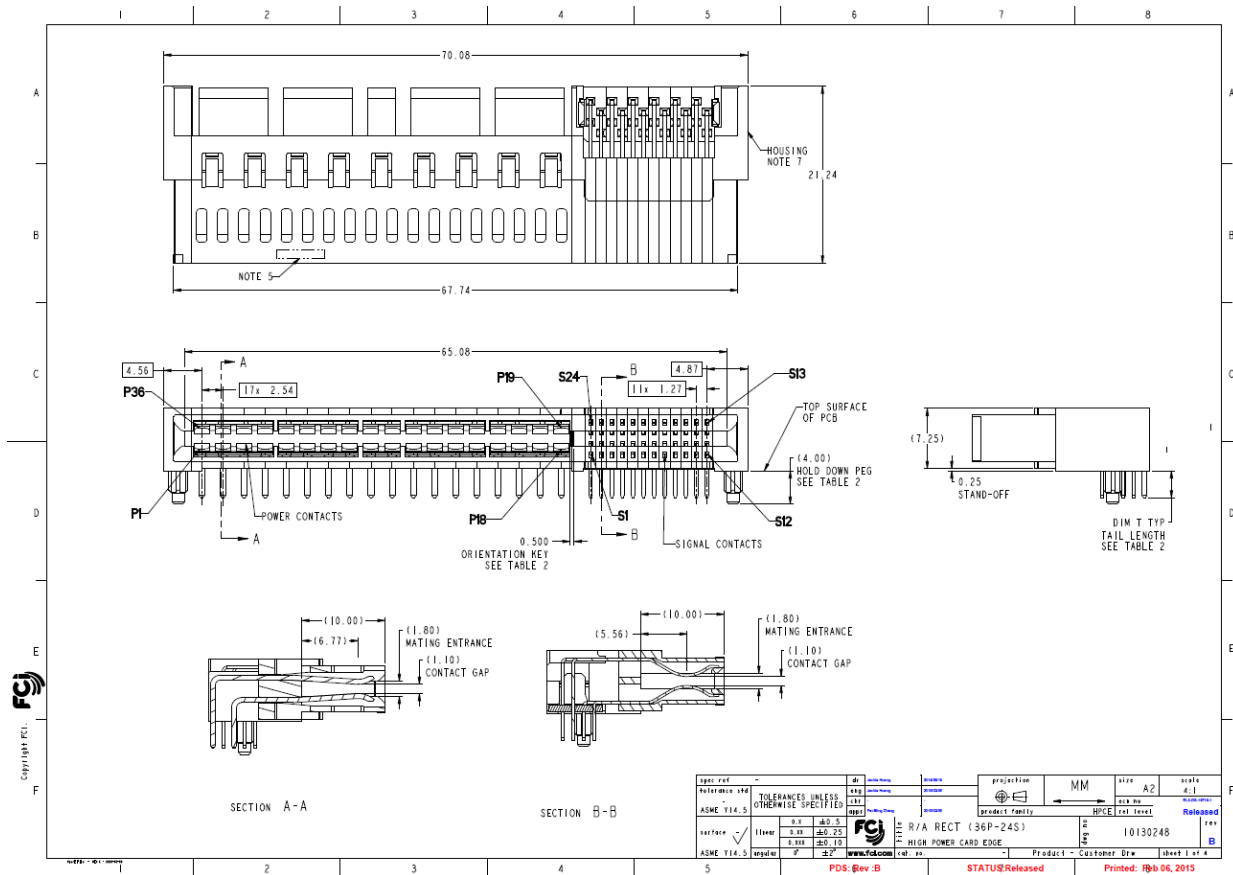


Figure 57. Mating connector drawing page 1

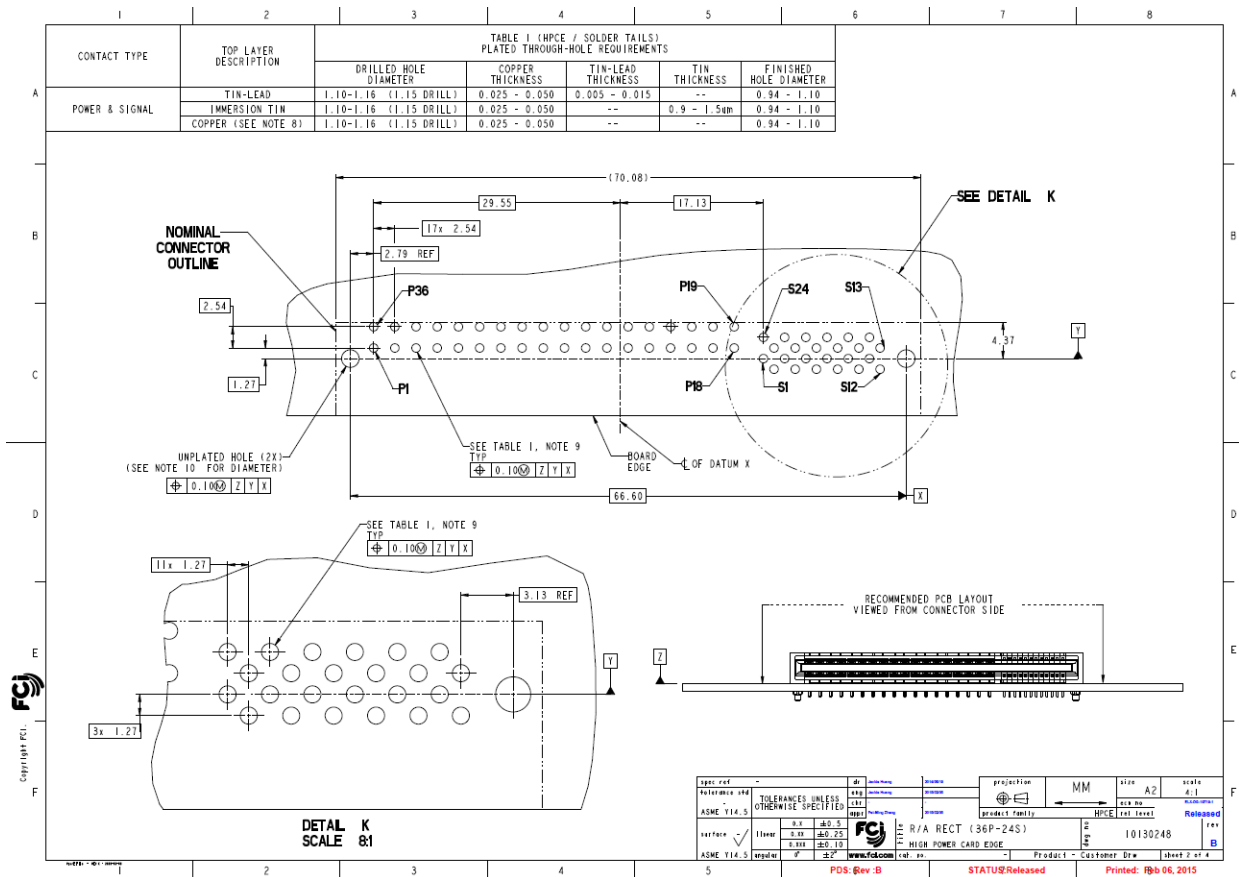


Figure 58. Mating connector drawing page 2

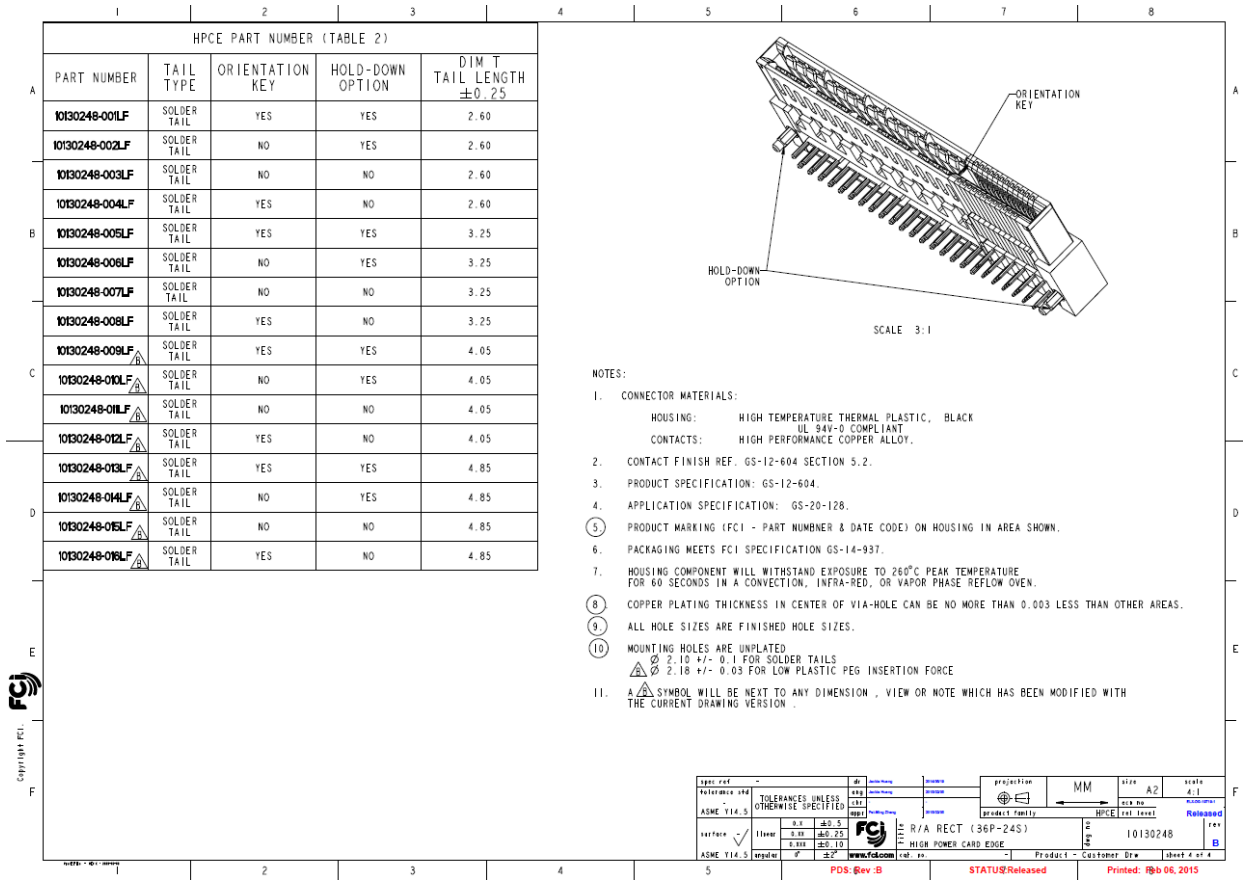


Figure 59. Mating connector drawing page 3





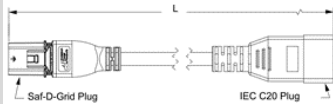
**16.2 MATING OUTPUT CONNECTOR SPECIFICATION**

| PIN       | SIGNAL NAME    | DESCRIPTION                                    | MATING SEQUENCE <sup>14</sup> |
|-----------|----------------|--|-------------------------------|
| P1 ~ P10  | GND            | Power and signal ground (return)               | 1                             |
| P29 ~ P36 | GND            |  |                               |
| P11 ~ P18 | V1             | +12 VDC main output                            | 2                             |
| P19 ~ P28 | V1             |  |                               |
| S1        | A0             | I <sup>2</sup> C address selection input       | 2                             |
| S2        | A1             |  |                               |
| S3, S4    | VSB            | +12 V Standby positive output (as pins S3, S4) | 2                             |
| S5        | HOTSTANDBYEN_H | Hot standby enable signal, active-high         | 2                             |
| S6        | ISHARE         | Analog current share bus                       | 2                             |
| S7        | Reserved       | For future use, do not connect                 | 2                             |
| S8        | PRESENT_L      | Power supply seated, active-low                | 3                             |
| S9        | A2             | I <sup>2</sup> C address selection input       | 2                             |
| S10 ~ S15 | GND            | Power and signal ground (return)               | 2                             |
| S16       | PWOK_H         | Power OK signal output, active-high            | 2                             |
| S17       | V1_SENSE       | Main output positive sense                     | 2                             |
| S18       | V1_SENSE_R     | Main output negative sense                     | 2                             |
| S19       | SMB_ALERT_L    | SMB Alert signal output, active-low            | 2                             |
| S20       | PSON_L         | Power supply on input, active-low              | 3                             |
| S21, S22  | VSB            | +12 V Standby positive output (as pins S3, S4) | 2                             |
| S23       | SCL            | I <sup>2</sup> C clock signal line             | 2                             |
| S24       | SDA            | I <sup>2</sup> C data signal line              | 2                             |

*Table 5. Output connector pin assignment*

<sup>14</sup> 1 = First, 3 = Last, given by different card edge finger pin lengths and mating connector pin arrangement

**17. ACCESSORIES**

| ITEM  | DESCRIPTION  | ORDERING PART NUMBER | SOURCE   |
|---|--|----------------------|--|
|  | <b>I²C Utility</b><br>Windows XP/Vista/7 compatible GUI to program, control and monitor Front-End power supplies (and other I²C units)                   | ZS-00130             | <a href="http://belfuse.com/power-solutions">belfuse.com/power-solutions</a> |
|  | <b>Evaluation Board</b><br>Connector board to operate PET2000-12-074xA. Includes an on-board USB to I²C converter (use I²C Utility as desktop software). | YTM.00046            | <a href="http://belfuse.com/power-solutions">belfuse.com/power-solutions</a> |
|  | <b>AC cable for PET2000-12-074NAA</b><br>Anderson Saf-D-Grid® receptacle to IEC 60320-C20 plug, 14 AWG, 2 m, Anderson P/N 2052KH2                        | TBD                  |  |

**18. REVISION HISTORY**

| DATE        | REVISION | DESCRIPTION OF CHANGE                             | ECO/MCO REFERENCE NO. |
|-------------|----------|---|-----------------------|
| 2019-Jun-19 | AL       | Page 4: Max. Output currents updated in the table | C94036                |

**For more information on these products consult: [tech.support@psbel.com](mailto:tech.support@psbel.com)**

**NUCLEAR AND MEDICAL APPLICATIONS** - Products are not designed or intended for use as critical components in life support systems, equipment used in hazardous environments, or nuclear control systems.  
**TECHNICAL REVISIONS** - The appearance of products, including safety agency certifications pictured on labels, may change depending on the date manufactured. Specifications are subject to change without notice.

Компания «Life Electronics» занимается поставками электронных компонентов импортного и отечественного производства от производителей и со складов крупных дистрибьюторов Европы, Америки и Азии.

С конца 2013 года компания активно расширяет линейку поставок компонентов по направлению коаксиальный кабель, кварцевые генераторы и конденсаторы (керамические, пленочные, электролитические), за счёт заключения дистрибьюторских договоров

Мы предлагаем:

- Конкуренспособные цены и скидки постоянным клиентам.
- Специальные условия для постоянных клиентов.
- Подбор аналогов.
- Поставку компонентов в любых объемах, удовлетворяющих вашим потребностям.
- Приемлемые сроки поставки, возможна ускоренная поставка.
- Доставку товара в любую точку России и стран СНГ.
- Комплексную поставку.
- Работу по проектам и поставку образцов.
- Формирование склада под заказчика.
- Сертификаты соответствия на поставляемую продукцию (по желанию клиента).
- Тестирование поставляемой продукции.
- Поставку компонентов, требующих военную и космическую приемку.
- Входной контроль качества.
- Наличие сертификата ISO.

В составе нашей компании организован Конструкторский отдел, призванный помогать разработчикам, и инженерам.

Конструкторский отдел помогает осуществить:

- Регистрацию проекта у производителя компонентов.
- Техническую поддержку проекта.
- Защиту от снятия компонента с производства.
- Оценку стоимости проекта по компонентам.
- Изготовление тестовой платы монтаж и пусконаладочные работы.



Тел: +7 (812) 336 43 04 (многоканальный)

Email: [org@lifeelectronics.ru](mailto:org@lifeelectronics.ru)