

Helping Customers Innovate, Improve & Grow



Features

- EFC Standard
- Small Size
- 100% RoHS Compliant
- Low Profile
- Frequency range of 6.4 - 52 MHz
- Standard Frequencies: 10, 12.8, 16.384, 19.44, 20, 20.48 MHz

Applications

- PCS Base Stations
- Land Mobile Radio
- Cellular Telephony
- Radio in the Local Loop

Previous Vectron Model Numbers - C2260

Performance Specifications

Frequency Stabilities ¹						
Parameter	Min	Typical	Max	Units	Condition	
vs. operating temperature range (referenced to +25°C)	-1.5		+1.5	ppm	-40 to +85°C	Options ⁵
	-1.0		+1.0	ppm	-40 to +85°C	
	-2.5		+2.5	ppm	-20 to +70°C	
	-1.0		+1.0	ppm	-20 to +70°C	
	-1.0		+1.0	ppm	0 to +50°C	
	-0.5		+0.5	ppm	0 to +50°C	
Initial tolerance	-2.5		+2.5	ppm	at time of shipment, nominal EFC	
vs. supply voltage change	-0.5		+0.5	ppm	V _S ±5%	
vs. load change	-0.2		+0.2	ppm	Load ±10%	
vs. aging / 1 Year	-1.0		+1.0	ppm	after 30 days of operation	
Frequency Stabilities ¹ (Stratum 3 TCXO) <32MHz						
vs. operating temperature range (referenced to +25°C)	-0.80		+0.80	ppm	-20 to +70°C	Options ⁵
	-0.28		+0.28	ppm	0 to +50°C	
	-0.28		+0.28	ppm	-20 to +70°C	
	-0.80		+0.80	ppm	-40 to +85°C	
	-0.28		+0.28	ppm	-30 to +85°C	
	-0.28		+0.28	ppm	-40 to +85°C	
Initial tolerance	-1.0		+1.0	ppm	at time of shipment, nominal EFC	
vs. supply voltage change	-0.2		+0.2	ppm	V _S ±5% static	
vs. load change	-0.1		+0.1	ppm	Load ±5% static	
vs. aging / 20 Years	-2.5		+2.5	ppm	Note:*Stratum 3 per GR-1244-CORE:	
Overall tolerance	-4.6		+4.6	ppm	<±4.6ppm for all causes and 20 years aging, holdover: <±0.37ppm over 24 hours	

Performance Specifications

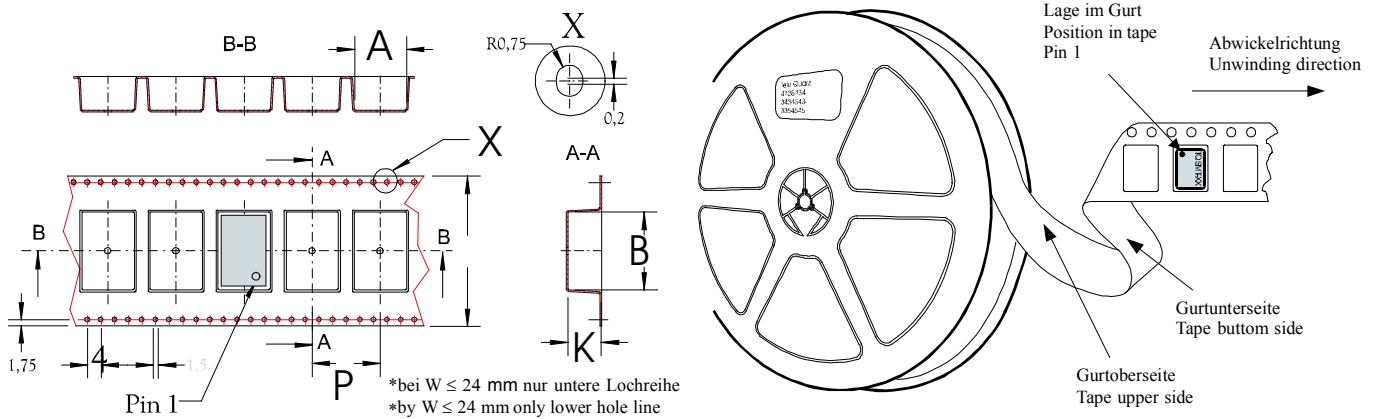
Frequency Stabilities ¹						
Parameter	Min	Typical	Max	Units	Condition	
vs. operating temperature range (referenced to +25°C) For 10, 12.8, 16.384, 20.26 MHz	-0.15		+0.15	ppm	0 to +50°C	
Initial tolerance	-1.0		+1.0	ppm	at time of shipment, nominal EFC V _s ±5% Load ±10% Note:*Stratum 3 per GR-1244-CORE: <±4.6ppm for all causes and 20 years aging, holdover: <±0.37ppm over 24 hours	
vs. supply voltage change	-0.2		+0.2	ppm		
vs. load change	-0.1		+0.1	ppm		
vs. aging / 20 Years	-2.5		+2.5	ppm		
Overall tolerance	-4.6		+4.6	ppm		

Supply Voltage (Vs)						
Parameter	Min	Typical	Max	Units	Condition	
Supply voltage (standard)	3.135	3.3	3.465	VDC		
Current consumption			6	mA	steady state @ +25°C	
RF Output (Clipped Sinewave)						
Load R	9	10	11	kΩ		
C	9	10	11	pF		
Output Power	0.7			V _{pp}	@ 10kΩ 10pF	
RF Output (HCMOS)						
Load	13.5	15	16.5	pF		
Signal Level (Vol)			0.3	VDC	with Vs=3.3V and 15pF Load	
Signal Level (Voh)	3.0			VDC	with Vs=3.3V and 15pF Load	
Rise and Fall time			5	ns		
Duty Cycle	40	50	60	%	@ (Voh-Vol)/2	
Frequency Tuning (EFC)						
Tuning Range	Fixed TCXO; No adjust				Option ⁵	
Tuning Range for Stability: 807, 287, 157 / Stratum 3 Version	±5.0	±14.0	±20.0	ppm		
Tuning Range	±8.0	±14.0	±20.0	ppm		
Linearity	10%					
Tuning Slope	Positive					
Control Voltage Range	0.3	1.65	3.0	VDC	with Vs=3.3V	
Freq. control input impedance	10			kΩ		
Enable (instead of EFC)	True table Pin 1 High Open Low		RF_out Pin 3 Data Data High Tristate			
Additional Parameters						
Phase Noise ³		-65 -95 -120 -145 -152		dBc/Hz dBc/Hz dBc/Hz dBc/Hz dBc/Hz	1 Hz 10 Hz 100 Hz 1 kHz 10 kHz	@ 10MHz
Weight				8.0 g		
Processing & Packing	Handling & Processing Note					
Reflow Profile	IPC / JEDEC J-STD-020 (latest version)					
Absolute Maximum Ratings						
Supply voltage (Vs)			6.0	V		
Control Voltage	0		Vs	V		
Operable Temperature Range	-40		+85	°C		
Storage Temperature Range	-55		+125	°C		

Cross Reference List

Vectron Part	Frequency (MHz)	Temp Range (°C)	Temp Stability (ppm)	Holdover Stability (ppm)	Overall Stability (ppm)	Supply (V)	
C2260A1-0028	12.8	-20 to +70	±0.28	±0.37	±4.6	3.3	Semtech
C2260A1-0032	12.8	-40 to +85	±0.28	±0.37	±4.6	3.3	Semtech
C2260A1-0029	12.8	-40 to +85		±4.60	±20	3.3	Semtech
C2260A1-0021	20	-20 to +70	±0.28		±4.6	3.3	Zarlink
C2260A1-0009	20	-20 to +80	±0.28		±4.6	3.3	Zarlink
C2260A1-0015	20	-40 to +85		±4.6	±20	3.3	Zarlink

Standard Shipping Method

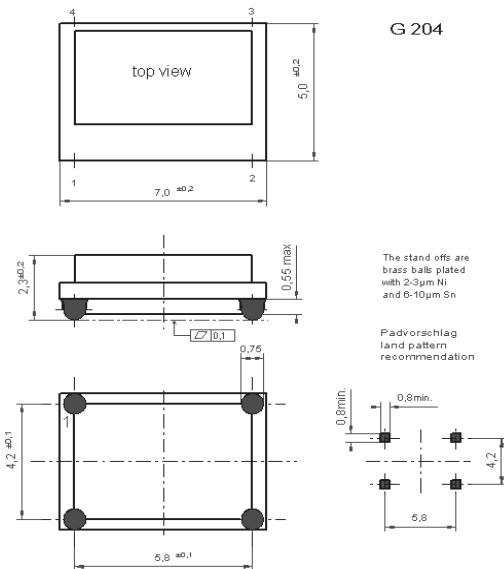


Enclosure Type	Tape Width W (mm)	Quantity per meter	Quantity per reel	Dimension P
G204/G211	12	150.	750.	8

Outline Drawing / Enclosure

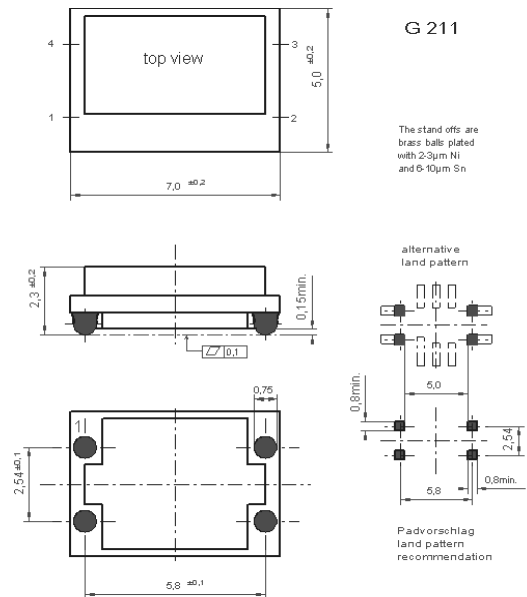
Package Codes: 700

Type	Height "H"	Pin Length "L"
G204	2.5	NA



Package Codes: 701

Type	Height "H"
G211	2.5



Pin Connections

1	Voltage Control (Vc) / Enable / N.C
2	Ground (Case)
3	RF Output
4	Supply Voltage Input (Vs)

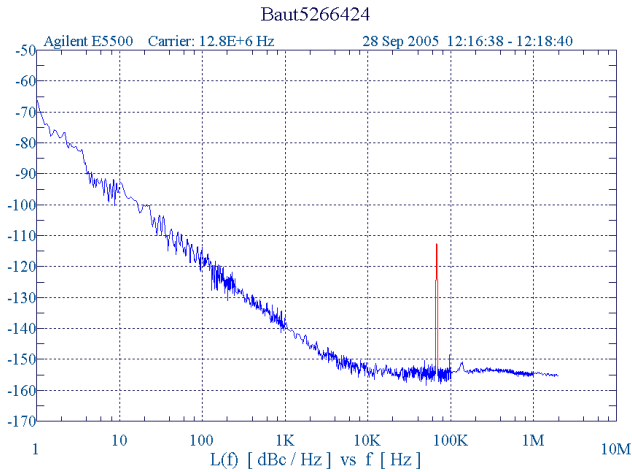
Marking

TX-700
Frequency
● AYYWW

Typical Performance

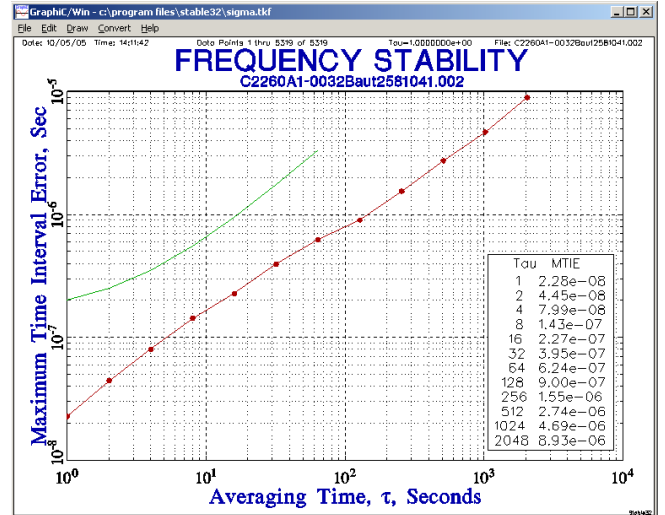
Phase Noise

C2260 @ 12.8 MHz

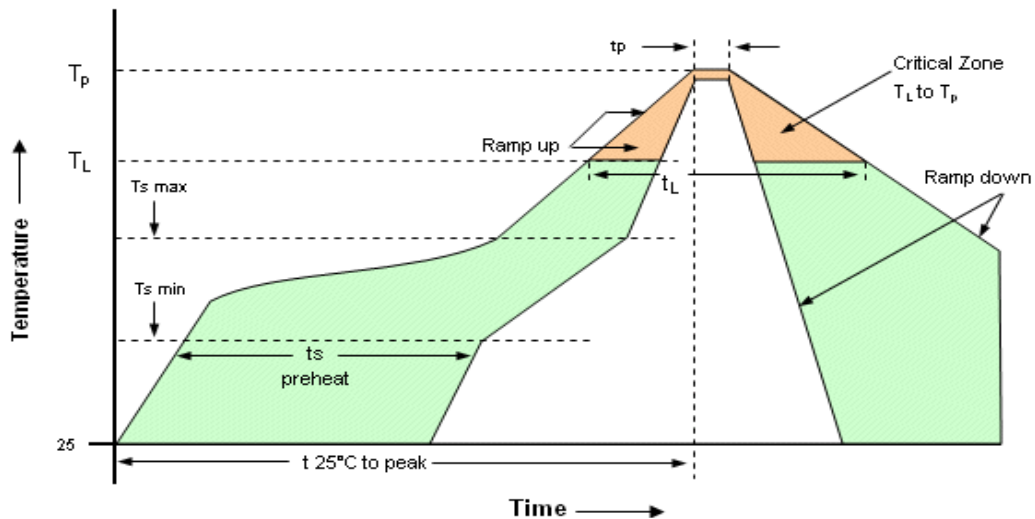


MTIE according-1244-CORE:

C2260 @ 12.8 MHz



Recommended Reflow Profile

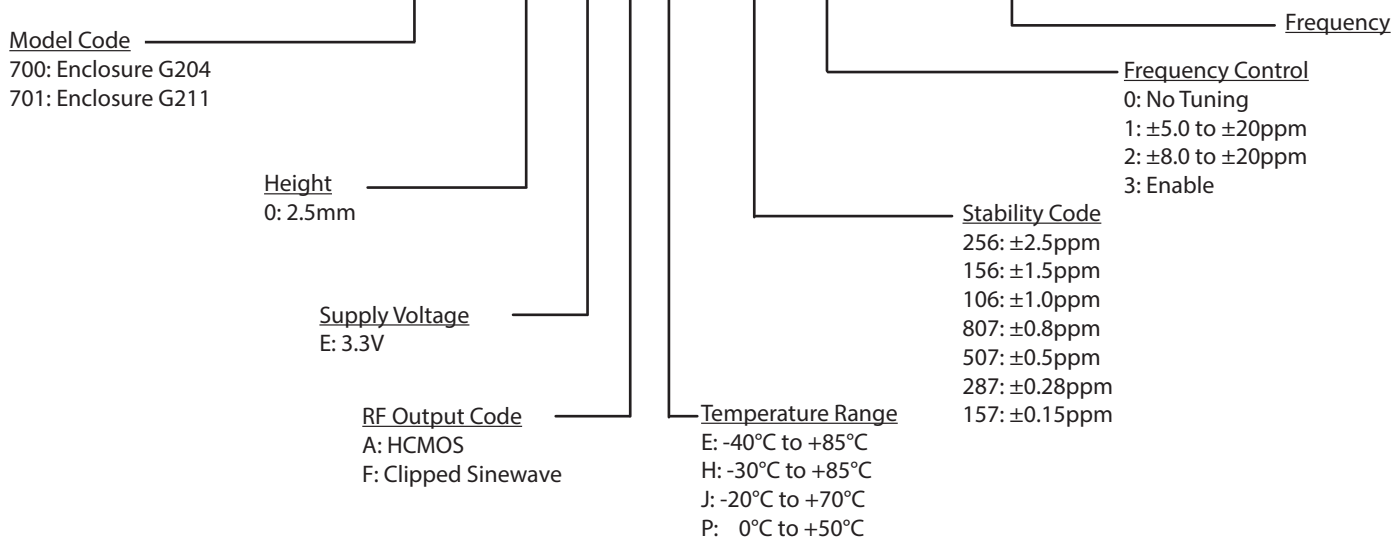


Profile Feature	Pb-Free Assembly/ Sn-Pb Assembly	Profile Feature	Pb-Free Assembly/ Sn-Pb Assembly
Average ramp-up rate (T_L to T_p)	3°C/second max.	Time 25°C to Peak Temperature	8 minutes max.
Preheat -Temperature Min T_{smin} -Temperature Max T_{smax} -Time (min to max) t_s	150°C 200°C 60-180 seconds	Time maintained above -Temperature (T_L) -Time (t_L)	217°C 60-150 seconds
T_{smax} to T_L -Ramp-up Rate	3°C/second max		
Time maintained above -Temperature (T_L) -Time (t_L)	217°C 60-150 seconds	Time within 5°C of actual Peak Temperature (t_p)	20-40 seconds
Peak Temperature (T_p)	max 260°C	Ramp-down Rate	6°C/ second max

Note: All temperatures refer to topside of the package, measured on the package body surface. SMD oscillators must be on the top side of the PCB during the reflow process.

Ordering Information

TX-70X 0 - E A J - 256 0 - 10M0000000



Notes:

1. Contact factory for improved stabilities or additional product options. Not all options and codes are available at all frequencies.
2. Unless other stated all values are valid after warm-up time and refer to typical conditions for supply voltage, frequency control voltage, load, temperature (25°C).
3. Phase noise degrades with increasing output frequency.
4. Subject to technical modification.
5. Contact factory for availability.

For Additional Information, Please Contact

USA:

Vectron International
267 Lowell Road, Suite 102
Hudson, NH 03051
Tel: 1.888.328.7661
Fax: 1.888.329.8328

Europe:

Vectron International
Landstrasse, D-74924
Neckarbischofsheim, Germany
Tel: +49 (0) 7268.801.100
Fax: +49 (0) 7268.801.281

Asia:

Vectron International
68 Yin Cheng Road(C), 22nd Floor
One LuJiaZui
Pudong, Shanghai 200120, China
Tel: +86 21 6194 6886
Fax: +86 21 6194 6699

Disclaimer

Vectron International reserves the right to make changes to the product(s) and or information contained herein without notice. No liability is assumed as a result of their use or application. No rights under any patent accompany the sale of any such product(s) or information.

Компания «Life Electronics» занимается поставками электронных компонентов импортного и отечественного производства от производителей и со складов крупных дистрибьюторов Европы, Америки и Азии.

С конца 2013 года компания активно расширяет линейку поставок компонентов по направлению коаксиальный кабель, кварцевые генераторы и конденсаторы (керамические, пленочные, электролитические), за счёт заключения дистрибьюторских договоров

Мы предлагаем:

- Конкуренспособные цены и скидки постоянным клиентам.
- Специальные условия для постоянных клиентов.
- Подбор аналогов.
- Поставку компонентов в любых объемах, удовлетворяющих вашим потребностям.
- Приемлемые сроки поставки, возможна ускоренная поставка.
- Доставку товара в любую точку России и стран СНГ.
- Комплексную поставку.
- Работу по проектам и поставку образцов.
- Формирование склада под заказчика.
- Сертификаты соответствия на поставляемую продукцию (по желанию клиента).
- Тестирование поставляемой продукции.
- Поставку компонентов, требующих военную и космическую приемку.
- Входной контроль качества.
- Наличие сертификата ISO.

В составе нашей компании организован Конструкторский отдел, призванный помогать разработчикам, и инженерам.

Конструкторский отдел помогает осуществить:

- Регистрацию проекта у производителя компонентов.
- Техническую поддержку проекта.
- Защиту от снятия компонента с производства.
- Оценку стоимости проекта по компонентам.
- Изготовление тестовой платы монтаж и пусконаладочные работы.



Тел: +7 (812) 336 43 04 (многоканальный)

Email: org@lifeelectronics.ru