

Features

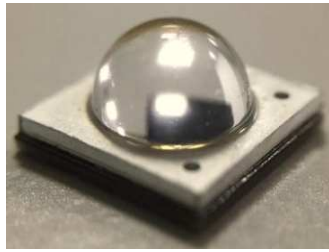
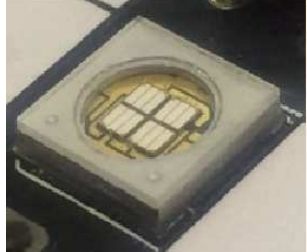
- 6868 UV LED
- ALN substrate with anti-UV Glasses Lens
- ROHS and REACH Compliant
- MSL 4 qualified according to J-STD 020
- ESD 8KV

Applications

- UV Curing
- Medical applications
- Counterfeit Detection
- Purification

Description

The IN-C68QA(X)TM UV series is a high-power(10W) UV LED with Good Thermal Dissipation and High Efficiency. It is a SMD type LED which can be used in various applications.

	
IN-C68QABTM	IN-C68QACTM
60D	120D
6.8*6.8*3.7mm	6.8*6.8*1.5mm

Recommended Solder Pattern

(Suggest Stencil t=0.12 mm)



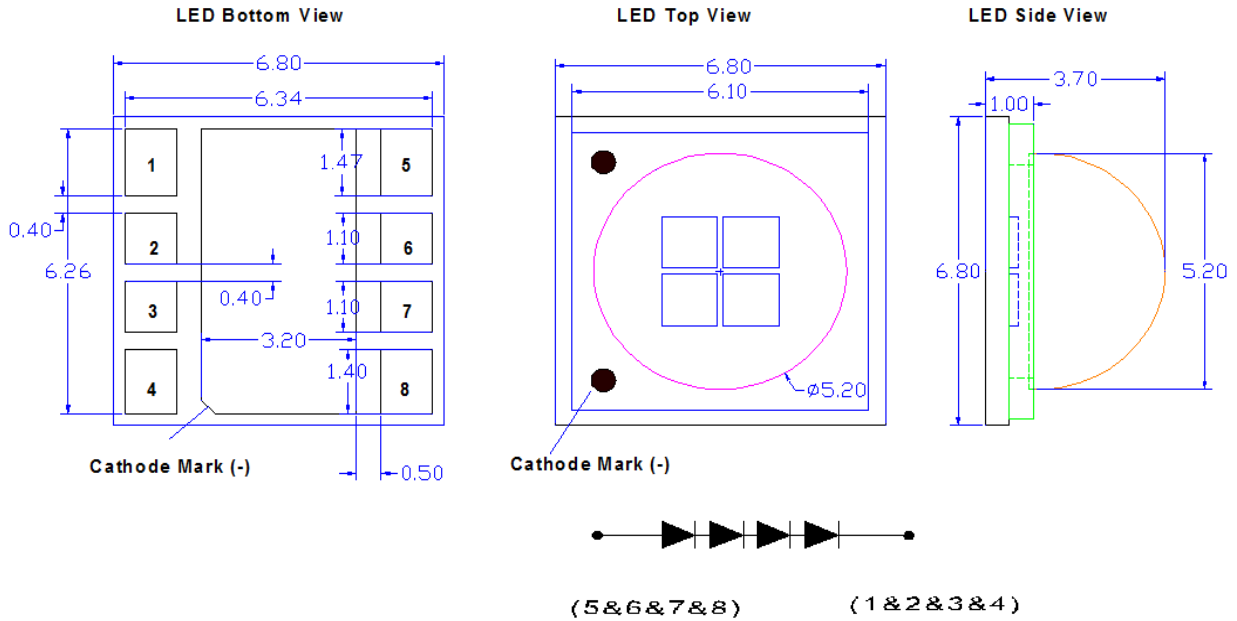
Figure 1. IN-C68QABTM / IN-C68QACTM Recommended Solder Pattern

Note:

- * All dimensions are in millimeters.
- * Tolerance is ± 0.13 mm unless other specified.

Package Dimensions

60D



120D

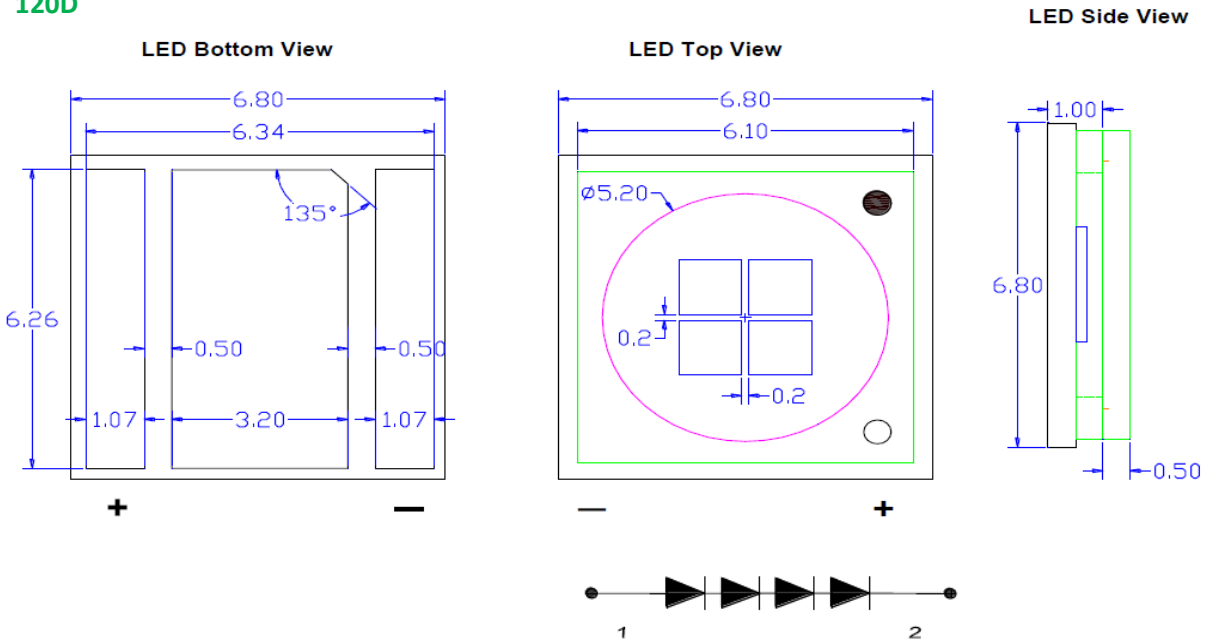


Figure 2. IN-C68QAB™ / IN-C68QACTM Package Dimension

Note:

All dimensions are in millimeters.
 Tolerance is $\pm 0.13\text{mm}$ unless other specified.

Absolute Maximum Rating at 25°C

Characteristics	Symbol	Min.	Typical	Max.	Unit
DC Forward Current ¹	I_F	---	500	1000	mA
Pulse Current (@1/10 duty) ²	I_P	---	---	1200	mA
Forward Voltage	V_F	12.0	14.0	16.8	V
Reverse Voltage	V_R	---	-20	---	V
Leakage Current (5V)	I_R	---	---	10	μ A
Junction Temperature ³	T_j	---	85	---	°C
Operating Temperature Range	T_{opr}	-40	-	80	°C
Storage Temperature Range	T_{stg}	-40	---	80	°C
Soldering Temperature	T_{sol}	---	---	260	°C
Thermal Resistance Junction / Solder Point	R_{th}	---	2.0	---	°C/W
Viewing Angle ⁴	$2\theta_{1/2}$	---	60/120	---	Deg
Electrostatic Discharge (HBM)	ESD	---	8	---	KV

Notes:

1. When operating at other than ambient temperature, maximum allowable current depends on derating curves.
2. Pulse width = 0.01s & duty factor = 1/10.
3. When operating at maximum allowable current, T_j must be below 85 °C.
4. Viewing angle tolerance is $\pm 10^\circ$.

Electrical Characteristics $T_A = 25^\circ\text{C}$ (Note 1)

Product	$V_F(\text{V})@700\text{mA}$			Viewing Angle	$I_R(\mu\text{A})@V_R=5\text{V}$
	min	typ	max	$2\theta_{1/2}$	max
IN-C68QABTM UV Series IN-C68QACTM UV Series	12.0	---	16.8	60/120	10

Notes:

1. Performance guaranteed only under conditions listed in above tables.

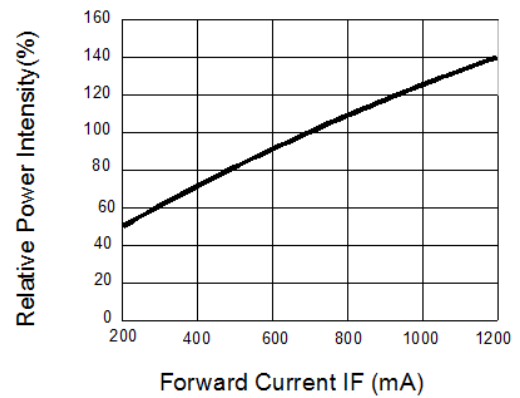
ESD Precaution
ATTENTION: Electrostatic Discharge (ESD) protection

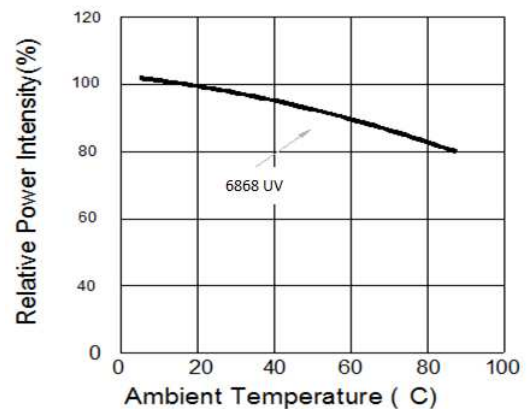

The symbol above denotes that ESD precaution is needed. ESD protection for GaP and AlGaAs based chips is necessary even though they are relatively safe in the presence of low static-electric discharge. Parts built with AlInGaP, GaN, or/and InGaN based chips are STATIC SENSITIVE devices. ESD precaution must be taken during design and assembly. If manual work or processing is needed, please ensure the device is adequately protected from ESD during the process.

Please be advised that normal static precautions should be taken in the handling and assembly of this device to prevent damage or degradation which may be induced by electrostatic discharge (ESD).

Electronic-Optical Characteristics
Relative Spectral Power Distribution

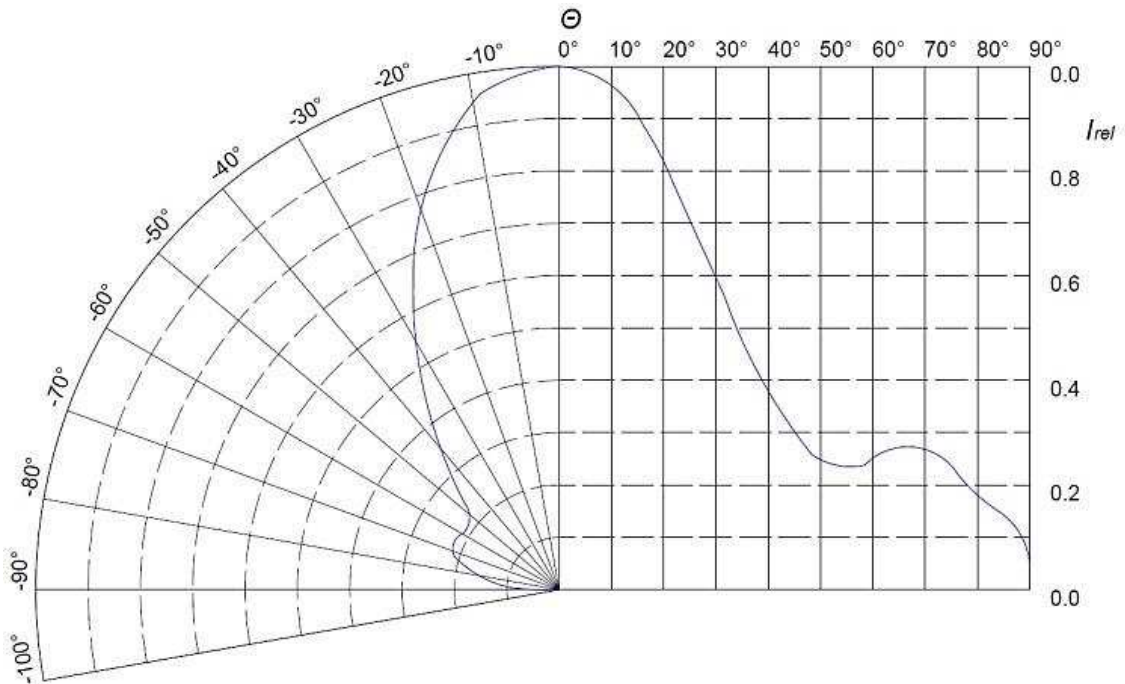
Forward Current vs. Forward Voltage (Ta=25°C)

Relative Radiant Flux vs. Forward Current (Ta=25°C)

Forward Current vs. Ambient Temperature

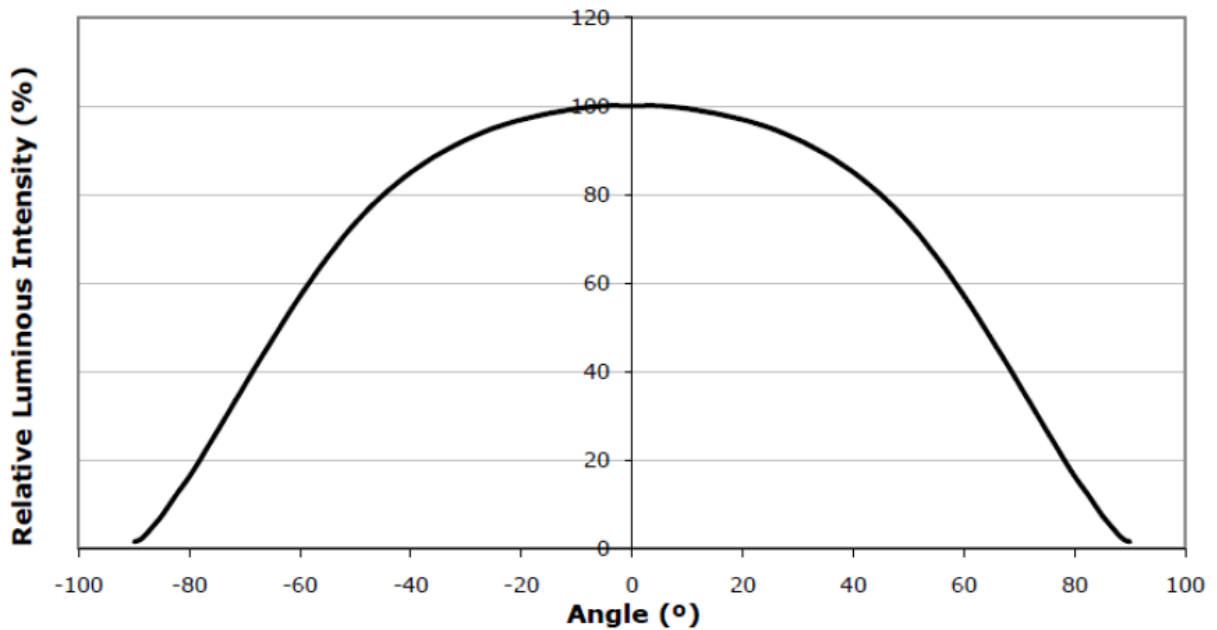
Radiant Power vs. Ambient Temperature

Notes:

Viewing angle(2θ1/2) ± 10°

Typical Spatial Distribution(60D)



Typical Spatial Distribution(120D)



Ordering Information

Product	Emission Color	Viewing Angle	Orderable Part Number
IN-C68QA(X)TM	U2:365~370nm	60°	IN-C68QABTMU2
		120°	IN-C68QACTMU2
	U4:380~390nm	60°	IN-C68QABTMU4
		120°	IN-C68QACTMU4
	U5:390~400nm	60°	IN-C68QABTMU5
		120°	IN-C68QACTMU5

Label Specifications



Inolux P/N:

I	N	-	C	6	8	Q	A	X	T	M		X	-	X	X	X	X	
			Material	Package		Die Qty.	Circuit	View Angle	Orientation	Current	Lens	Color		Customized Stamp-off				
Inolux	SMD		C = Ceramic Type	<ul style="list-style-type: none"> Package, 68 = 6.8 x 6.8 mm Q: 4 chips A: 4 series View Angle, B: 60 Deg C: 120 Deg 					T = Top Mount	M = 700mA	(Blank) = Clear	U2 = 365-370nm U4 = 380-390nm U5 = 390-400nm						

Lot No.:

Z	2	0	1	7	01	24	001
Internal Tracker	Year (2017, 2018,)				Month	Date	Serial

Peak Wavelength Binning

Peak Wavelength			unit: nm@700mA
Bin Code		Min	Max
U2	R1	365	370
U4	SA	380	385
	SB	385	390
U5	TA	390	395
	TB	395	400

Notes:

1. Binning current is 700mA
2. Wavelength tolerance ± 2 nm

Voltage Binning

Voltage		unit: V@700mA	
Peak Wavelength	Bin Code	Min	Max
U2: 365~400nm	C0	12.0	12.8
	C1	12.8	13.6
	C2	13.6	14.4
	C3	14.4	15.2
	C4	15.2	16.0
	C5	16.0	16.8

Notes:

1. Binning current is 700mA
2. Voltage tolerance ± 0.8 V

Radiant flux (Power) binning

	Radiant flux (Power) unit: mw@700mA		
Peak Wavelength	Bin Code	Min	Max
U2: 365~370nm	P35	3,000	3,500
	P40	3,500	4,000
	P45	4,000	4,500
	P50	4,500	5,000
U4: 380~390nm	P50	4,500	5,000
	P55	5,000	5,500
	P60	5,500	6,000
	P65	6,000	6,500
U5: 390~400nm	P50	4,500	5,000
	P55	5,000	5,500
	P60	5,500	6,000
	P65	6,000	6,500

Notes:

1. Tolerance of Forward voltage (VF) $\pm 0.8V$
2. Tolerance of Radiometric Power (Po) $\pm 10\%$
3. Tolerance of Wavelength $\pm 2nm$

Thermal Design

Thermal design of the end product is important. The thermal resistance between the junction and the solder point ($R_{\theta J-S}$) and the end product should be designed to minimize the thermal resistance from the solder point to ambient in order to optimize the emitter life and optical characteristics. The maximum operation current is determined by the plot of Allowable Forward Current vs. Ambient Temperature.



The junction temperature can be correlated to the thermal resistance between the junction and ambient (R_{ja}) by the following equation.

$$T_j = T_a + R_{ja} * W$$

T_j = LED junction temperature

T_a = Ambient temperature

R_{ja} = Thermal resistance between the junction and ambient

W = Input power ($I_F * V_F$)

Reflow Soldering

The LEDs can be soldered using the parameter listed below. As a general guideline, the users are suggested to follow the recommended soldering profile provided by the manufacturer of the solder paste. Although the recommended soldering conditions are specified in the list, reflow soldering at the lowest possible temperature is preferred for the LEDs.

Suggested lead-free soldering profile:

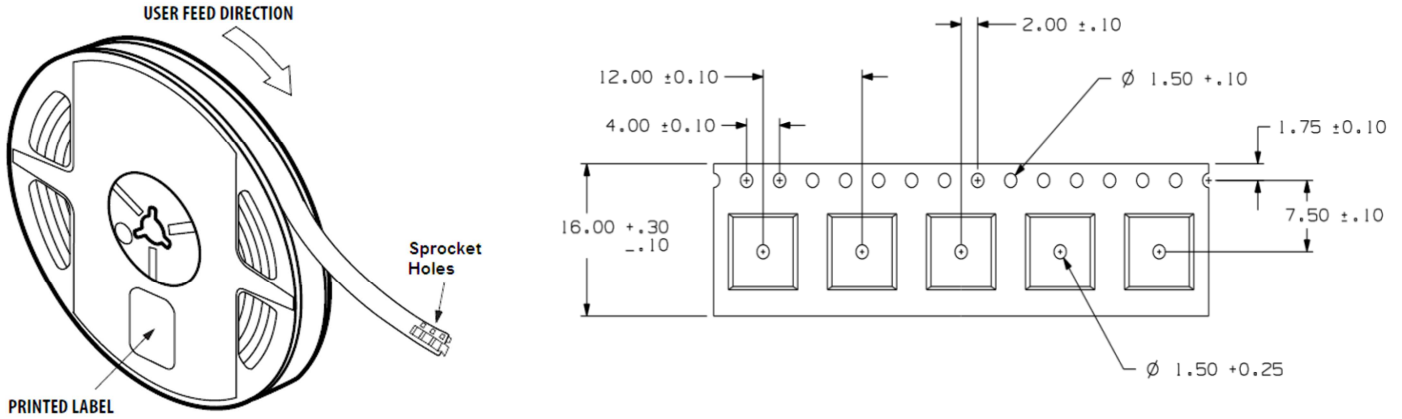


Notes:

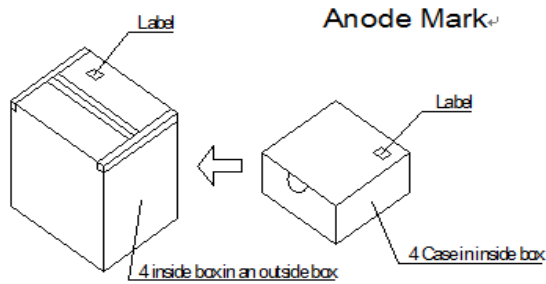
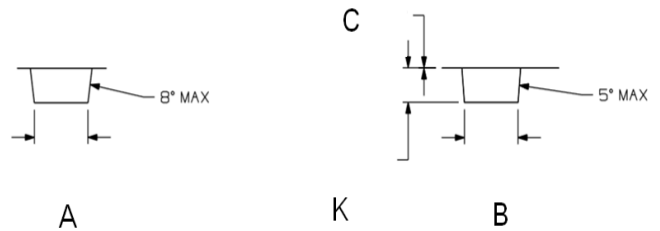
1. The recommended reflow temperature is 240°C(±5°C). The maximum soldering temperature should be limited to 260°C.
2. Do not stress the silicone resin while it is exposed to high temperature.
3. The number of reflow process should not exceed 3 times.

Packing

The carrier tape conforms to EIA-481D.



Item	Dimension	Tolerance	Unit
A	7.35	±0.10	mm
B	7.25	±0.10	mm
C	0.33	±0.02	mm
D	4.35	±0.10	mm



Notes:

1. Each Reel (minimum number of pieces is 100 and maximum is 350 packed in a moisture-proof bag along with 2 packs of desiccant and a humidity indicator card.
2. A maximum of 5 moisture-proof bags are packed in an inner box (size: 240mm x 200mm x 105mm ± 5mm).
3. A maximum of 4 inner boxes are put in an outer box (size: 410mm x 255mm x 230mm ± 5mm).
4. Part No., Lot No., quantity should be indicated on the label of the moisture-proof bag and the cardboard box.

Precautions

1. Recommendation for using LEDs

1.1 The lens of LEDs should not be exposed to dust or debris. Excessive dust and debris may cause a drastic decrease in the luminosity.

1.2 Avoid mechanical stress on LED lens.

1.3 Do not touch the LED lens surface. It would affect the optical performance of the LED due to the LED lens' damage.

1.4 Pick & place tools are recommended for the remove of LEDs from the factory tape & reel packaging.

2. Pick & place nozzle

The pickup tool was recommended and shown as below:



3. Lens handling

Please follow the guideline to pick LEDs:

3.1 Use tweezers to pick LEDs.

3.2 Do not touch the lens by using tweezers.

3.3 Do not touch lens with fingers.

3.4 Do not apply more than 4N of force (400g) directly onto the lens.

4. Lens cleaning

In the case which a small amount of dirt and dust particles remain on the lens surface, a suitable cleaning solution can be applied.

4.1 Try gently wiping with a dust-free cloth.

4.2 If needed, use a dust-free cloth and isopropyl alcohol to gently remove the dirt from the lens surface.

4.3 Do not use other solvents as they may react with the LED assembly.

4.4 Do not use ultrasonic cleaning which will damage the LEDs.

Test Items and Results of Reliability

Test Item	Test Conditions	Duration/ Cycle	Number of Damage	Reference
Thermal Shock	-40°C 30min ↑↓5min 125 °C 30min	100 cycles	0/22	AECQ101
High Temperature Storage	Ta=100°C	1000 hrs	0/22	EIAJ ED-4701 200 201
Humidity Heat Storage	Ta=85°C RH=85%	1000 hrs	0/22	EIAJ ED-4701 100 103
Low Temperature Storage	Ta=-40°C	1000 hrs	0/22	EIAJ ED-4701 200 202
Life Test	Ta=25°C If=500mA	1000 hrs	0/22	Tested with IN standard
High Humidity Heat Life Test	85°C RH=85% If=500mA	1000 hrs	0/22	Tested with IN standard
High Temperature Life Test	Ta=85°C	1000 hrs	0/22	Tested with IN standard
ESD(HBM)	8KV at 1.5kΩ;100pf	3 Times	0/22	MIL-STD-883

Criteria for Judging the Damage				
Item	Symbol	Condition	Criteria for Judgment	
			Min	Max
Forward Voltage	VF	If=500mA	LSL ×0.9	USL ×1.1
Reverse Current	IR	VR =5V	-	100μA
Luminous Intensity	Iv	If=500mA	LSL ×0.7	USL ×1.2

Notes:

1. USL: Upper specification level
2. LSL: Lower specification level

Revision History

Changes since last revision	Page	Version No.	Revision Date
Initial Release		1.0	06-28-2018

DISCLAIMER

INOLUX reserves the right to make changes without further notice to any products herein to improve reliability, function or design. INOLUX does not assume any liability arising out of the application or use of any product or circuit described herein; neither does it convey any license under its patent rights, nor the rights of others.

LIFE SUPPORT POLICY

INOLUX's products are not authorized for use as critical components in life support devices or systems without the express written approval of the President of INOLUX or INOLUX CORPORATION. As used herein:

1. Life support devices or systems are devices or systems which, (a) are intended for surgical implant into the body, or (b) support or sustain life, and (c) whose failure to perform when properly used in accordance with instructions for use provided in the labeling, can be reasonably expected to result in a significant injury of the user.
2. A critical component in any component of a life support device or system whose failure to perform can be reasonably expected to cause the failure of the life support device or system, or to affect its safety or effectiveness.

Компания «Life Electronics» занимается поставками электронных компонентов импортного и отечественного производства от производителей и со складов крупных дистрибьюторов Европы, Америки и Азии.

С конца 2013 года компания активно расширяет линейку поставок компонентов по направлению коаксиальный кабель, кварцевые генераторы и конденсаторы (керамические, пленочные, электролитические), за счёт заключения дистрибьюторских договоров

Мы предлагаем:

- Конкурентоспособные цены и скидки постоянным клиентам.
- Специальные условия для постоянных клиентов.
- Подбор аналогов.
- Поставку компонентов в любых объемах, удовлетворяющих вашим потребностям.
- Приемлемые сроки поставки, возможна ускоренная поставка.
- Доставку товара в любую точку России и стран СНГ.
- Комплексную поставку.
- Работу по проектам и поставку образцов.
- Формирование склада под заказчика.
- Сертификаты соответствия на поставляемую продукцию (по желанию клиента).
- Тестирование поставляемой продукции.
- Поставку компонентов, требующих военную и космическую приемку.
- Входной контроль качества.
- Наличие сертификата ISO.

В составе нашей компании организован Конструкторский отдел, призванный помогать разработчикам, и инженерам.

Конструкторский отдел помогает осуществить:

- Регистрацию проекта у производителя компонентов.
- Техническую поддержку проекта.
- Защиту от снятия компонента с производства.
- Оценку стоимости проекта по компонентам.
- Изготовление тестовой платы монтаж и пусконаладочные работы.



Тел: +7 (812) 336 43 04 (многоканальный)

Email: org@lifeelectronics.ru