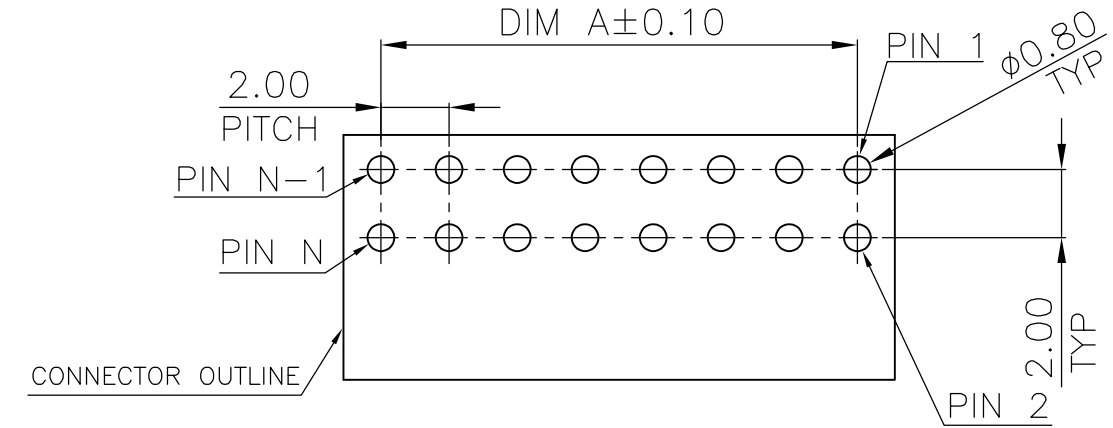
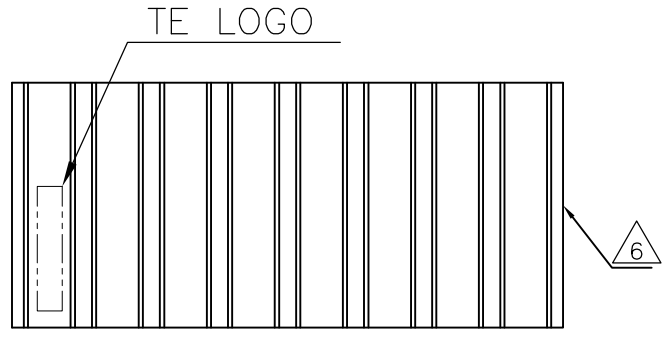
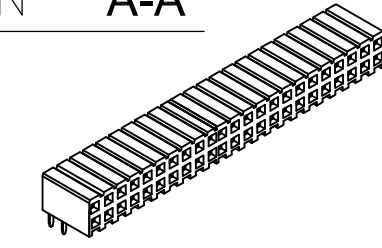
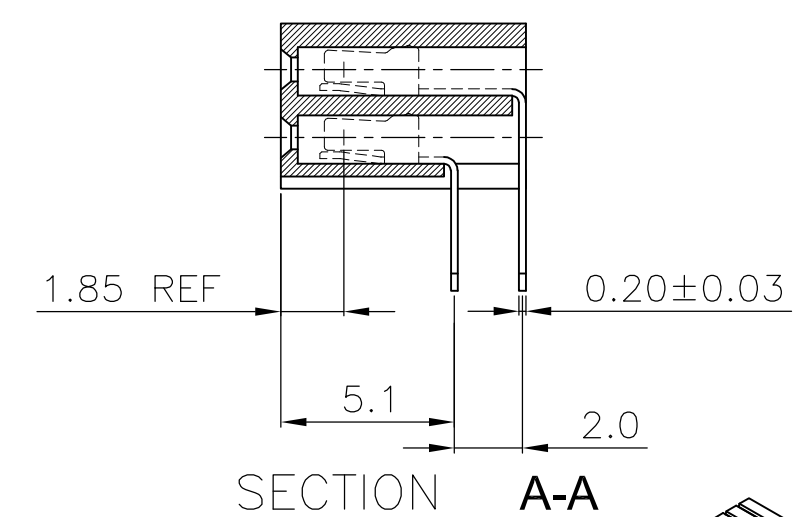
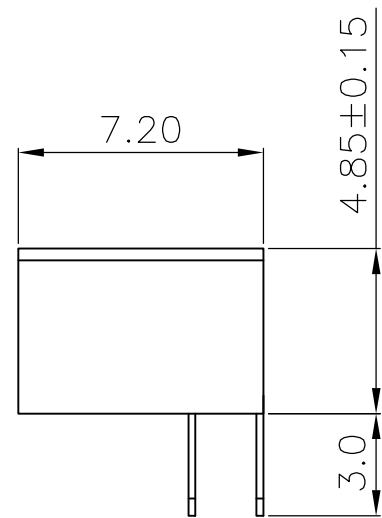
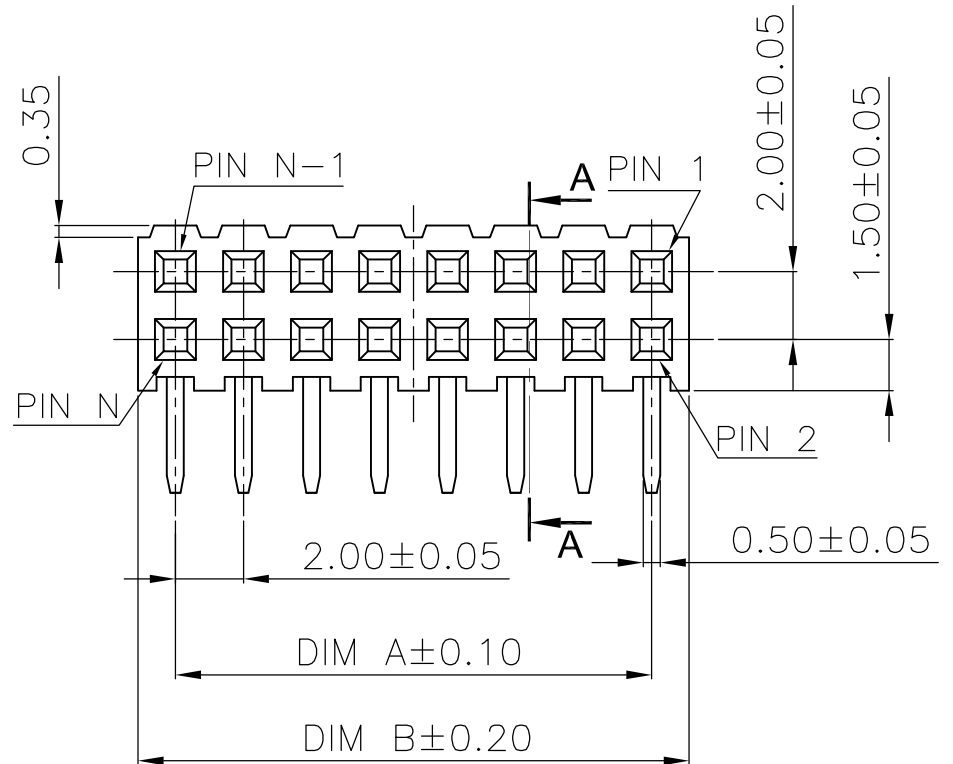


THIS DRAWING IS UNPUBLISHED  
 © COPYRIGHT - By - ALL RIGHTS RESERVED.

|     |      |           |     |                             |           |     |      |
|-----|------|-----------|-----|-----------------------------|-----------|-----|------|
| LOC | DIST | REVISIONS |     |                             |           |     |      |
| IR  | -    | P         | LTR | DESCRIPTION                 | DATE      | DWN | APVD |
|     |      |           | D4  | P/N 1-1734531-0 REACTIVATED | 13JAN2014 | KJK | JKS  |



5 RECOMMENDED PCB LAYOUT  
 TOLERANCE ± 0.05 (TOP VIEW)



|          |            |       |                 |             |           |
|----------|------------|-------|-----------------|-------------|-----------|
| OBSOLETE | 78.00      | 80.20 | 80              | 8-          | -0        |
|          | 76.00      | 78.20 | 78              | 7-          | -8        |
|          | 74.00      | 76.20 | 76              | 7-          | -6        |
|          | 72.00      | 74.20 | 74              | 7-          | -4        |
|          | 70.00      | 72.20 | 72              | 7-          | -2        |
|          | 68.00      | 70.20 | 70              | 7-          | -0        |
|          | 66.00      | 68.20 | 68              | 6-          | -8        |
|          | 64.00      | 66.20 | 66              | 6-          | -6        |
|          | 62.00      | 64.20 | 64              | 6-          | -4        |
|          | 60.00      | 62.20 | 62              | 6-          | -2        |
|          | 58.00      | 60.20 | 60              | 6-          | -0        |
|          | 56.00      | 58.20 | 58              | 5-          | -8        |
|          | 54.00      | 56.20 | 56              | 5-          | -6        |
|          | 52.00      | 54.20 | 54              | 5-          | -4        |
| OBSOLETE | 50.00      | 52.20 | 52              | 5-          | -2        |
|          | 48.00      | 50.20 | 50              | 5-          | -0        |
|          | 46.00      | 48.20 | 48              | 4-          | -8        |
|          | 44.00      | 46.20 | 46              | 4-          | -6        |
|          | 42.00      | 44.20 | 44              | 4-          | -4        |
|          | 40.00      | 42.20 | 42              | 4-          | -2        |
|          | 38.00      | 40.20 | 40              | 4-          | -0        |
|          | 36.00      | 38.20 | 38              | 3-          | -8        |
| OBSOLETE | 34.00      | 36.20 | 36              | 3-          | -6        |
|          | 32.00      | 34.20 | 34              | 3-          | -4        |
|          | 30.00      | 32.20 | 32              | 3-          | -2        |
|          | 28.00      | 30.20 | 30              | 3-          | -0        |
| OBSOLETE | 26.00      | 28.20 | 28              | 2-          | -8        |
|          | 24.00      | 26.20 | 26              | 2-          | -6        |
|          | 22.00      | 24.20 | 24              | 2-          | -4        |
|          | 20.00      | 22.20 | 22              | 2-          | -2        |
|          | 18.00      | 20.20 | 20              | 2-          | -0        |
|          | 16.00      | 18.20 | 18              | 1-          | -8        |
|          | 14.00      | 16.20 | 16              | 1-          | -6        |
|          | 12.00      | 14.20 | 14              | 1-          | -4        |
|          | 10.00      | 12.20 | 12              | 1-          | -2        |
|          | 8.00       | 10.20 | 10              | 1-          | -0        |
| OBSOLETE | 6.00       | 8.20  | 8               |             | 1734531-8 |
|          | 4.00       | 6.20  | 6               |             | 1734531-6 |
|          | 2.00       | 4.20  | 4               |             | 1734531-4 |
|          | DIM A      | DIM B | POSITION NUMBER | PART NUMBER |           |
|          | DIMENSIONS |       |                 |             |           |

NOTE :

1 MATERIAL :  
 HOUSING : THERMOPLASTIC, UL94V-0, BLACK COLOR  
 CONTACT : PHOSPHOR BRONZE, THICKNESS=0.20mm.

2 FINISH :  
 CONTACT: 0.254mm [10m"] MIN. GOLD PLATED ON CONTACT AREA  
 2.54mm [100m"] MIN. BRIGHT TIN PLATED ON SOLDER TAIL,  
 1.27mm [50m"] MIN. NICKEL UNDERPLATED OVER ALL

3 APPLICATION :  
 SOLDER TAIL LENGTH 2.6 FOR PCB THICKNESS 1.6±0.1

4 WAVE SOLDER CAPABLE TO 265°C PER TE SPEC 109-202, CONDITION B

5 NO CUMULATIVE TOLERANCE

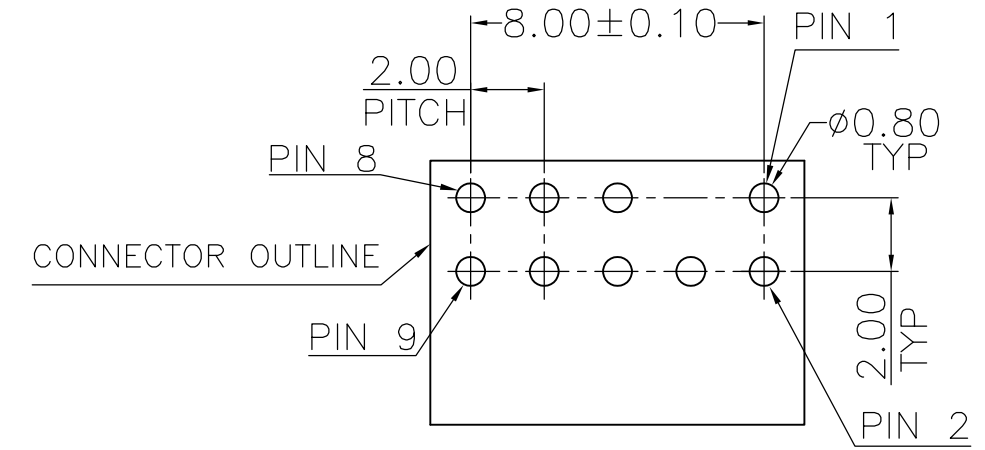
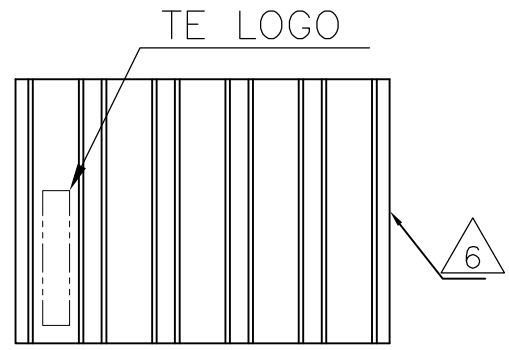
6 DATECODE: YY WW D \*  
 ASS'Y LINE NO.  
 DAY  
 WEEK CODE  
 YEAR

7 QUALIFICATION TEST REPORT: 501-57197

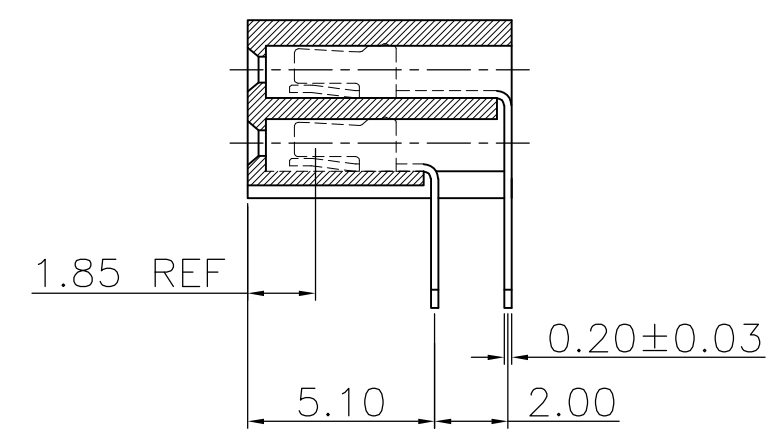
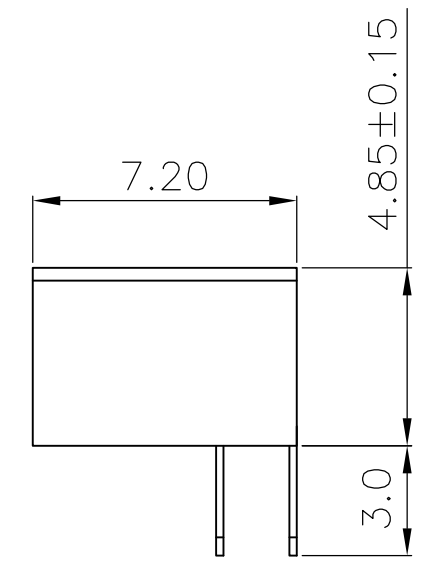
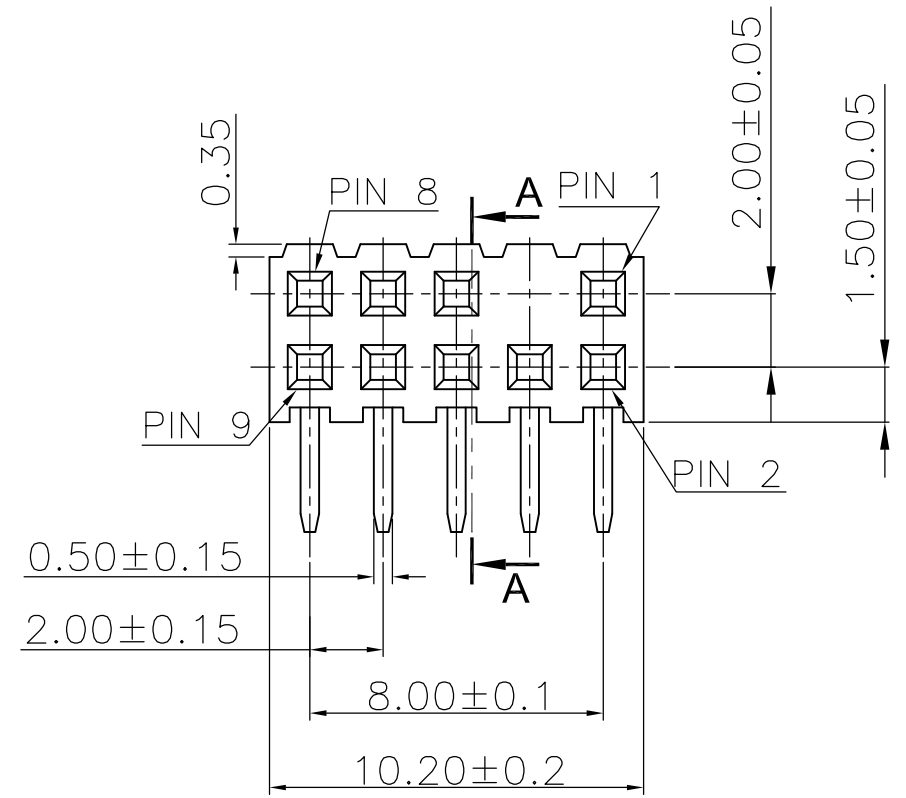
|   |  |                  |           |  |           |
|---|--|------------------|-----------|--|-----------|
| THIS DRAWING IS A CONTROLLED DOCUMENT.  |  | DWN              | 05JUL2005 | TE Connectivity<br>AMPMODU 2.0mm PITCH, RCPT CONN.,<br>RIGHT-ANGLE, MOUNT TYPE |           |
| DIMENSIONS: mm  |  | CHK              | 05JUL2005 |  |           |
| TOLERANCES UNLESS OTHERWISE SPECIFIED:  |  | APVD             | 05JUL2005 |  |           |
| 0 PLC ± 0.5<br>1 PLC ± 0.2<br>2 PLC ± 0.1<br>3 PLC ± 0.05<br>4 PLC ± -<br>ANGLES ± 3° |  | NAME             |           |  |           |
| MATERIAL  |  | PRODUCT SPEC     | 108-57197 | SIZE   | A3        |
| FINISH  |  | APPLICATION SPEC |           | CAGE CODE  | 00779     |
| 1   |  | WEIGHT           | -         | DRAWING NO   | C-1734531 |
| 2   |  | CUSTOMER DRAWING |           | RESTRICTED TO  | -         |
|   |  | SCALE            | 1:1       | SHEET  | 1 OF 3    |
|   |  | REV              | D4        |  |           |

THIS DRAWING IS UNPUBLISHED  
 RELEASED FOR PUBLICATION  
 © COPYRIGHT - By - ALL RIGHTS RESERVED.

| LOC | DIST | REVISIONS |     |             |      |     |      |
|-----|------|-----------|-----|-------------|------|-----|------|
|     |      | P         | LTR | DESCRIPTION | DATE | DWN | APVD |
| IR  | -    | -         | -   | SEE SHEET 1 | -    | -   | -    |



△ 5 RECOMMENDED PCB LAYOUT  
 TOLERANCE ± 0.05 (TOP VIEW)



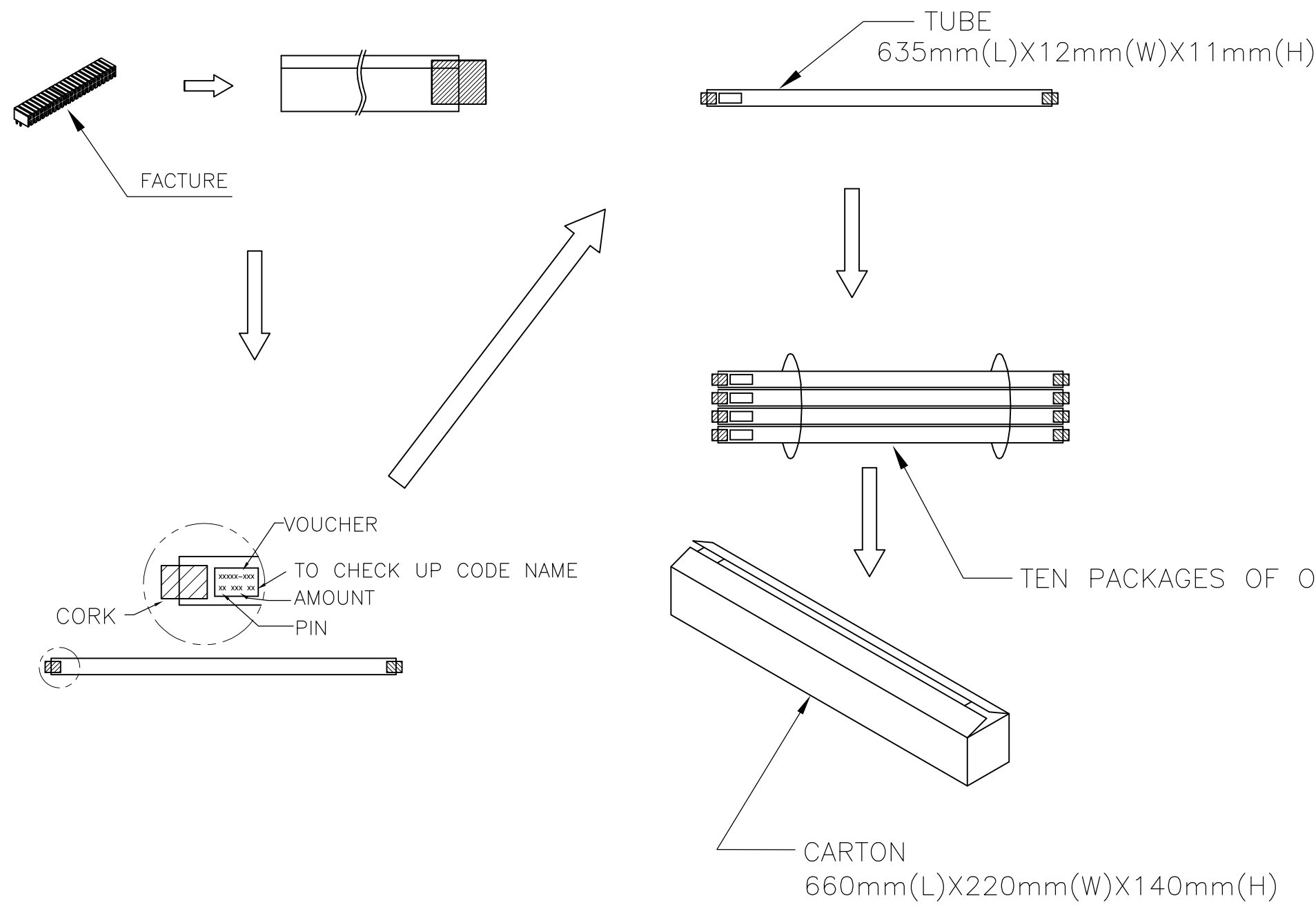
SECTION A-A

|                 |             |
|-----------------|-------------|
| 9               | 1734531-9   |
| POSITION NUMBER | PART NUMBER |

|   |             |                  |             |           |  |       |        |              |       |            |           |               |   |
|---|-------------|------------------|-------------|-----------|--|-------|--------|--------------|-------|------------|-----------|---------------|---|
| THIS DRAWING IS A CONTROLLED DOCUMENT.  |             | DWN              | O.HU        | 05JUL2005 | TE Connectivity<br>AMPMODU 2.0mm PITCH, RCPT CONN.,<br>RIGHT-ANGLE, MOUNT TYPE |       |        |              |       |            |           |               |   |
| DIMENSIONS: mm  |             | CHK              | S.HOU       | 05JUL2005 |  |       |        | NAME         |       |            |           |               |   |
| TOLERANCES UNLESS OTHERWISE SPECIFIED:  |             | APVD             | W.J.KE      | 05JUL2005 |  |       |        | PRODUCT SPEC |       |            |           |               |   |
| 0 PLC ± 0.5<br>1 PLC ± 0.2<br>2 PLC ± 0.1<br>3 PLC ± 0.05<br>4 PLC ± -<br>ANGLES ± 3° |             | APPLICATION SPEC |             | 108-57197 |  |       |        |              |       |            |           |               |   |
| MATERIAL  | SEE SHEET 1 | FINISH           | SEE SHEET 1 | WEIGHT    | -  | SIZE  | A3     | CAGE CODE    | 00779 | DRAWING NO | C=1734531 | RESTRICTED TO | - |
| CUSTOMER DRAWING  |             |                  |             | SCALE     | 1:1  | SHEET | 2 OF 3 | REV          | D4    |            |           |               |   |

THIS DRAWING IS UNPUBLISHED  
 © COPYRIGHT - By - ALL RIGHTS RESERVED.

| LOC | DIST | REVISIONS   |      |     |      |
|-----|------|-------------|------|-----|------|
| P   | LTR  | DESCRIPTION | DATE | DWN | APVD |
|     | -    | SEE SHEET 1 | -    | -   | -    |



| OBSOLETE | 1050            | 150          | 7                  | 80          | 8 | -0        |
|----------|-----------------|--------------|--------------------|-------------|---|-----------|
|          | 1050            | 150          | 7                  | 78          | 7 | -8        |
|          | 1050            | 150          | 7                  | 76          | 7 | -6        |
|          | 1200            | 150          | 8                  | 74          | 7 | -4        |
|          | 1200            | 150          | 8                  | 72          | 7 | -2        |
|          | 1200            | 150          | 8                  | 70          | 7 | -0        |
|          | 1200            | 150          | 8                  | 68          | 6 | -8        |
|          | 1350            | 150          | 9                  | 66          | 6 | -6        |
|          | 1350            | 150          | 9                  | 64          | 6 | -4        |
|          | 1350            | 150          | 9                  | 62          | 6 | -2        |
|          | 1500            | 150          | 10                 | 60          | 6 | -0        |
|          | 1500            | 150          | 10                 | 58          | 5 | -8        |
|          | 1500            | 150          | 10                 | 56          | 5 | -6        |
|          | 1650            | 150          | 11                 | 54          | 5 | -4        |
| OBSOLETE | 1650            | 150          | 11                 | 52          | 5 | -2        |
|          | 1800            | 150          | 12                 | 50          | 5 | -0        |
|          | 1800            | 150          | 12                 | 48          | 4 | -8        |
|          | 1950            | 150          | 13                 | 46          | 4 | -6        |
|          | 1950            | 150          | 13                 | 44          | 4 | -4        |
|          | 2100            | 150          | 14                 | 42          | 4 | -2        |
|          | 2100            | 150          | 14                 | 40          | 4 | -0        |
|          | 2250            | 150          | 15                 | 38          | 3 | -8        |
| OBSOLETE | 2400            | 150          | 16                 | 36          | 3 | -6        |
|          | 2550            | 150          | 17                 | 34          | 3 | -4        |
|          | 2700            | 150          | 18                 | 32          | 3 | -2        |
|          | 2850            | 150          | 19                 | 30          | 3 | -0        |
|          | 3150            | 150          | 21                 | 28          | 2 | -8        |
| OBSOLETE | 3300            | 150          | 22                 | 26          | 2 | -6        |
|          | 3600            | 150          | 24                 | 24          | 2 | -4        |
|          | 3900            | 150          | 26                 | 22          | 2 | -2        |
|          | 4350            | 150          | 29                 | 20          | 2 | -0        |
|          | 4800            | 150          | 32                 | 18          | 1 | -8        |
|          | 5400            | 150          | 36                 | 16          | 1 | -6        |
|          | 6150            | 150          | 41                 | 14          | 1 | -4        |
|          | 7200            | 150          | 48                 | 12          | 1 | -2        |
|          | 8550            | 150          | 57                 | 10          | 1 | -0        |
|          | 8550            | 150          | 57                 | 9           |   | 1734531-9 |
| OBSOLETE | 10650           | 150          | 72                 | 8           |   | 1734531-8 |
|          | 14400           | 150          | 96                 | 6           |   | 1734531-6 |
|          | 21600           | 150          | 144                | 4           |   | 1734531-4 |
| QTY      | TUBE/<br>CARTON | PCS/<br>TUBE | POSITION<br>NUMBER | PART NUMBER |   |           |

|   |                       |                           |             |  |                    |                         |                    |
|---|-----------------------|---------------------------|-------------|--|--------------------|-------------------------|--------------------|
| THIS DRAWING IS A CONTROLLED DOCUMENT.  |                       | DWN<br>O.HU               | 05JUL2005   | TE Connectivity<br>NAME<br>AMPMODU 2.0mm PITCH, RCPT CONN.,<br>RIGHT-ANGLE, MOUNT TYPE |                    |                         |                    |
| DIMENSIONS:<br>mm   |                       | CHK<br>S.HOU              | 05JUL2005   |  |                    |                         |                    |
| TOLERANCES UNLESS OTHERWISE SPECIFIED:  |                       | APVD<br>W.J.KE            | 05JUL2005   |  |                    |                         |                    |
| 0 PLC ± 0.5<br>1 PLC ± 0.2<br>2 PLC ± 0.1<br>3 PLC ± 0.05<br>4 PLC ± -<br>ANGLES ± 3° |                       | PRODUCT SPEC<br>108-57197 |             |  |                    |                         |                    |
| MATERIAL<br>SEE SHEET 1   | FINISH<br>SEE SHEET 1 | APPLICATION SPEC<br>-     | WEIGHT<br>- | SIZE<br>A3   | CAGE CODE<br>00779 | DRAWING NO<br>C-1734531 | RESTRICTED TO<br>- |
| CUSTOMER DRAWING  |                       |                           |             | SCALE<br>1:1   | SHEET<br>3 OF 3    | REV<br>D4               |                    |

Компания «Life Electronics» занимается поставками электронных компонентов импортного и отечественного производства от производителей и со складов крупных дистрибьюторов Европы, Америки и Азии.

С конца 2013 года компания активно расширяет линейку поставок компонентов по направлению коаксиальный кабель, кварцевые генераторы и конденсаторы (керамические, пленочные, электролитические), за счёт заключения дистрибьюторских договоров

Мы предлагаем:

- Конкурентоспособные цены и скидки постоянным клиентам.
- Специальные условия для постоянных клиентов.
- Подбор аналогов.
- Поставку компонентов в любых объемах, удовлетворяющих вашим потребностям.
- Приемлемые сроки поставки, возможна ускоренная поставка.
- Доставку товара в любую точку России и стран СНГ.
- Комплексную поставку.
- Работу по проектам и поставку образцов.
- Формирование склада под заказчика.
- Сертификаты соответствия на поставляемую продукцию (по желанию клиента).
- Тестирование поставляемой продукции.
- Поставку компонентов, требующих военную и космическую приемку.
- Входной контроль качества.
- Наличие сертификата ISO.

В составе нашей компании организован Конструкторский отдел, призванный помогать разработчикам, и инженерам.

Конструкторский отдел помогает осуществить:

- Регистрацию проекта у производителя компонентов.
- Техническую поддержку проекта.
- Защиту от снятия компонента с производства.
- Оценку стоимости проекта по компонентам.
- Изготовление тестовой платы монтаж и пусконаладочные работы.



Тел: +7 (812) 336 43 04 (многоканальный)  
Email: [org@lifeelectronics.ru](mailto:org@lifeelectronics.ru)