



Is Now Part of



**ON Semiconductor®**

To learn more about ON Semiconductor, please visit our website at  
[www.onsemi.com](http://www.onsemi.com)

Please note: As part of the Fairchild Semiconductor integration, some of the Fairchild orderable part numbers will need to change in order to meet ON Semiconductor's system requirements. Since the ON Semiconductor product management systems do not have the ability to manage part nomenclature that utilizes an underscore (\_), the underscore (\_) in the Fairchild part numbers will be changed to a dash (-). This document may contain device numbers with an underscore (\_). Please check the ON Semiconductor website to verify the updated device numbers. The most current and up-to-date ordering information can be found at [www.onsemi.com](http://www.onsemi.com). Please email any questions regarding the system integration to [Fairchild\\_questions@onsemi.com](mailto:Fairchild_questions@onsemi.com).

ON Semiconductor and the ON Semiconductor logo are trademarks of Semiconductor Components Industries, LLC dba ON Semiconductor or its subsidiaries in the United States and/or other countries. ON Semiconductor owns the rights to a number of patents, trademarks, copyrights, trade secrets, and other intellectual property. A listing of ON Semiconductor's product/patent coverage may be accessed at [www.onsemi.com/site/pdf/Patent-Marking.pdf](http://www.onsemi.com/site/pdf/Patent-Marking.pdf). ON Semiconductor reserves the right to make changes without further notice to any products herein. ON Semiconductor makes no warranty, representation or guarantee regarding the suitability of its products for any particular purpose, nor does ON Semiconductor assume any liability arising out of the application or use of any product or circuit, and specifically disclaims any and all liability, including without limitation special, consequential or incidental damages. Buyer is responsible for its products and applications using ON Semiconductor products, including compliance with all laws, regulations and safety requirements or standards, regardless of any support or applications information provided by ON Semiconductor. "Typical" parameters which may be provided in ON Semiconductor data sheets and/or specifications can and do vary in different applications and actual performance may vary over time. All operating parameters, including "Typicals" must be validated for each customer application by customer's technical experts. ON Semiconductor does not convey any license under its patent rights nor the rights of others. ON Semiconductor products are not designed, intended, or authorized for use as a critical component in life support systems or any FDA Class 3 medical devices or medical devices with a same or similar classification in a foreign jurisdiction or any devices intended for implantation in the human body. Should Buyer purchase or use ON Semiconductor products for any such unintended or unauthorized application, Buyer shall indemnify and hold ON Semiconductor and its officers, employees, subsidiaries, affiliates, and distributors harmless against all claims, costs, damages, and expenses, and reasonable attorney fees arising out of, directly or indirectly, any claim of personal injury or death associated with such unintended or unauthorized use, even if such claim alleges that ON Semiconductor was negligent regarding the design or manufacture of the part. ON Semiconductor is an Equal Opportunity/Affirmative Action Employer. This literature is subject to all applicable copyright laws and is not for resale in any manner.

## FSA2457 — Dual DPDT, 5Ω Analog Data Switch

### Features

- Low On Capacitance for Data Path: 12pF Typical
- Low On Resistance for Data Path: 5Ω Typical
- Low Power Quiescent Consumption: 1μA Maximum
- Wide -3db Bandwidth: > 160MHz
- Packaged in Green 16-Lead UMLP (1.8 x 2.6mm)
- 4kV JEDEC: JESD22-A114 HBM
- 2kV JEDEC: JESD22-C101 CDM

### Applications

- Cell Phone, PDA, Digital Camera, Portable GPS
- LCD Monitor, TV, Set-Top Box

### IMPORTANT NOTE:

For additional information, please contact [analogswitch@fairchildsemi.com](mailto:analogswitch@fairchildsemi.com).


### Description

The FSA2457 is a bi-directional, low-power, dual double-pole double-throw (4PDT) analog switch targeted at dual 1-bit SIM/SD/MMC card and/or GPS signal multiplexing. It is optimized for switching the WLAN-SIM data and control signals at 52Mbps.

The FSA2457 is compatible with the requirements of 1-bit SIM/SD/MMC cards and is ideal for interfacing to GPS baseband processors. The FSA2457 features a low on capacitance ( $C_{ON}$ ) of 12pF to ensure high-speed data transfer.

The FSA2457 contains special circuitry that minimizes current consumption even when the control voltage applied to the SEL pin is lower than the supply voltage ( $V_{CC}$ ). This feature is especially valuable in ultra-portable applications, such as cell phones; allowing direct interface with the general-purpose I/Os of the baseband processor. Other applications include switching and connector sharing in portable cell phones, PDAs, digital cameras, printers, and portable GPS systems.

### Ordering Information

Part Number	Top Mark	 Eco Status	Operating Temperature Range	Package
FSA2457UMX	GD	Green	-40 to +85°C	16-Lead, Quad, Ultrathin Molded Leadless Package (UMLP), 1.8 x 2.6mm

 For Fairchild's definition of Eco Status, please visit: [http://www.fairchildsemi.com/company/green/rohs\\_green.html](http://www.fairchildsemi.com/company/green/rohs_green.html).

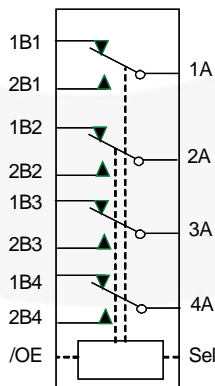


Figure 1. Analog Symbol

## Pin Configuration

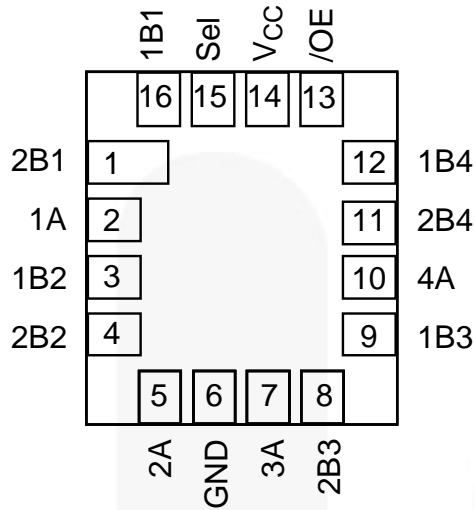


Figure 2. Pad Assignment UMLP16 (Top Through View)

## Pin Definitions

Pin	Description
1Bn, 2Bn	Multiplexed Data Source Inputs
nA	Common Data Ports
Sel	Switch Select
/OE	Output Enable (Active LOW)

## Truth Table

Sel	/OE	Function
Logic LOW	Logic LOW	1B1 = 1A, 1B2 = 2A, 1B3 = 3A, 1B4 = 4A
Logic HIGH	Logic LOW	2B1 = 1A, 2B2 = 2A, 2B3 = 3A, 2B4 = 4A
X	Logic HIGH	Data Ports Disconnected

## Absolute Maximum Ratings

Stresses exceeding the absolute maximum ratings may damage the device. The device may not function or be operable above the recommended operating conditions and stressing the parts to these levels is not recommended. In addition, extended exposure to stresses above the recommended operating conditions may affect device reliability. The absolute maximum ratings are stress ratings only.

Symbol	Parameter	Min.	Max.	Unit
$V_{CC}$	Supply Voltage	-0.5	+4.6	V
$V_{CNTRL}$	DC Input Voltage (Sel, /OE) <sup>(1)</sup>	-0.5	+4.6	V
$V_{SW}$	DC Switch I/O Voltage <sup>(1)</sup> 1Bn, 2Bn, nA	-0.5	$V_{CC} + 0.5$	V
$I_{IK}$	DC Input Diode Current	-50		mA
$I_{OUT}$	DC Output Current – $V_{SW}$		128	mA
$T_{STG}$	Storage Temperature	-65	+150	°C
MSL	Moisture Sensitivity Level (JEDEC J-STD-020A)		1	Level
ESD	Human Body Model, JEDEC: JESD22-A114	All Pins	4	kV
		I/O to GND	8	
	Charged Device Model, JEDEC: JESD22-C101	2		

**Note:**

- The input and output negative ratings may be exceeded if the input and output diode current ratings are observed.

## Recommended Operating Conditions

The Recommended Operating Conditions table defines the conditions for actual device operation. Recommended operating conditions are specified to ensure optimal performance to the datasheet specifications. Fairchild does not recommend exceeding them or designing to Absolute Maximum Ratings.

Symbol	Parameter	Min.	Max.	Unit
$V_{CC}$	Supply Voltage	2.7	3.6	V
$V_{CNTRL}$	Control Input Voltage (Sel, /OE) <sup>(2)</sup>	0	$V_{CC}$	V
$V_{SW}$	Switch I/O Voltage 1Bn, 2Bn, nA	-0.5	$V_{CC}$	V
$I_{OUT}$	DC Output Current 1Bn, 2Bn, nA		25	mA
$T_A$	Operating Temperature	-40	85	°C

**Note:**

- The control input must be held HIGH or LOW; it must not float.

## DC Electrical Characteristics

All typical values are at 25°C, 3.3V  $V_{CC}$  unless otherwise specified.

Symbol	Parameter	Conditions	$V_{CC}$ (V)	$T_A = -40^{\circ}\text{C to }+85^{\circ}\text{C}$			Units
				Min.	Typ.	Max.	
$V_{IK}$	Clamp Diode Voltage	$I_{IN} = -18\text{mA}$	2.7			-1.2	V
$V_{IH}$	Input Voltage High		2.7 to 3.0	1.8			V
			3.3 to 3.6	2.0			
$V_{IL}$	Input Voltage Low		2.7 to 3.6			0.8	V
$I_{IN}$	Control Input Leakage (Sel)	$V_{SW} = 0$ to $V_{CC}$	3.6	-1		1	$\mu\text{A}$
$I_{nc(off)},$ $I_{no(off)}$	Off State Leakage	1Bn, 2Bn = 0V or $V_{CC}$ Figure 4	3.6	-1		1	$\mu\text{A}$
$R_{ON}$	Data Path Switch On Resistance <sup>(3)</sup>	$V_{SW} = 0, 2.0\text{V}, I_{ON} = -20\text{mA}$ Figure 3, Figure 12	2.7		5.0	7.0	$\Omega$
$\Delta R_{ON}$	Data Path Delta On Resistance <sup>(4)</sup>	$V_{SW} = 0\text{V}, I_{ON} = -20\text{mA}$	2.7		0.3		$\Omega$
$I_{CC}$	Quiescent Supply Current	$V_{CNTRL} = 0$ or $V_{CC}, I_{OUT} = 0$	3.6			1.0	$\mu\text{A}$

### Notes:

- Measured by the voltage drop between nB0, 1Bn and relative common port pins at the indicated current through the switch. On resistance is determined by the lower voltage on the relative ports.
- Guaranteed by characterization.

## AC Electrical Characteristics

All typical value are for  $V_{CC} = 3.3V$  at  $25^{\circ}C$  unless otherwise specified.

Symbol	Parameter	Conditions	$V_{CC}$ (V)	$T_A = -40^{\circ}C$ to $+85^{\circ}C$			Units
				Min.	Typ.	Max.	
$t_{ON}$	Turn-On Time Sel or /OE to Output (nA)	$R_L = 50\Omega$ , $C_L = 30pF$ $V_{SW} = 1.5V$ Figure 5, Figure 6	2.7 to 3.6			7.0	ns
$t_{OFF}$	Turn-Off Time Sel or /OE to Output (nA)	$R_L = 50\Omega$ , $C_L = 30pF$ $V_{SW} = 1.5V$ Figure 5, Figure 6	2.7 to 3.6			4.0	ns
$O_{IRR}$	Off Isolation <sup>(5)</sup> (nA)	$R_L = 50\Omega$ , $f = 25MHz$ , $C_L = 30pF$ Figure 9, Figure 13	2.7 to 3.6		-45		dB
Xtalk	Non-Adjacent Channel Crosstalk <sup>(5)</sup> (nA)	$R_L = 50\Omega$ , $f = 25MHz$ , $C_L = 30pF$ Figure 7	2.7 to 3.6		-54		dB
BW	-3db Bandwidth <sup>(5)</sup> (nA)	$R_L = 50\Omega$ , $C_L = 30pF$ Figure 8, Figure 14	2.7 to 3.6		>160		MHz

**Note:**

5. Guaranteed by characterization.

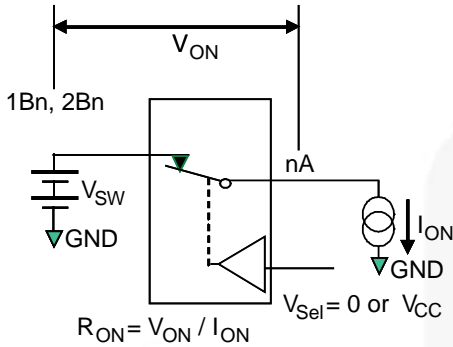
## Capacitance

Symbol	Parameter	Conditions	$T_A = -40^{\circ}C$ to $+85^{\circ}C$			Units
			Min.	Typ.	Max.	
$C_{IN}$	Control Pin Input Capacitance	$V_{CC} = 0V$		1.8		pF
$C_{ON}$	On Capacitance <sup>(6)</sup> (nA)	$V_{CC} = 3.3V$ , $f = 1MHz$ Figure 10		12.0		pF
$C_{OFF}$	Off Capacitance <sup>(6)</sup> (nA)	$V_{CC} = 3.3V$ Figure 9		6.0		pF

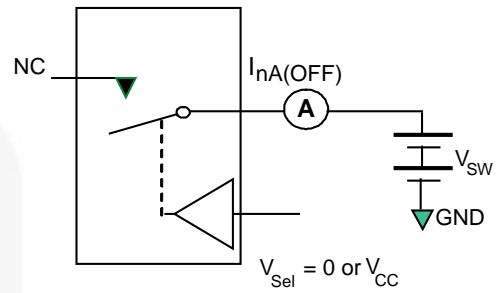
**Note:**

6. Guaranteed by characterization.

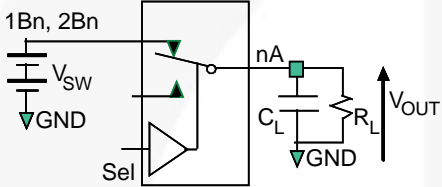
**Test Diagrams**



**Figure 3. On Resistance**

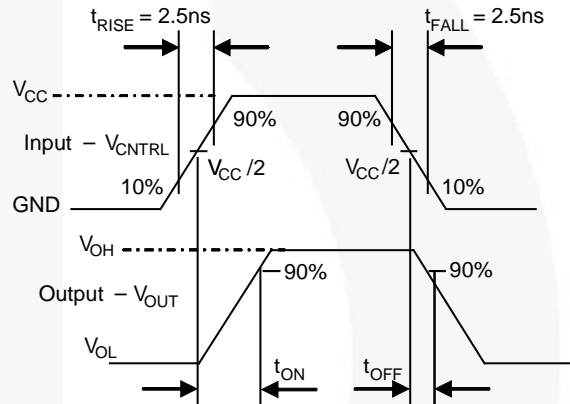


**Figure 4. Off Leakage**

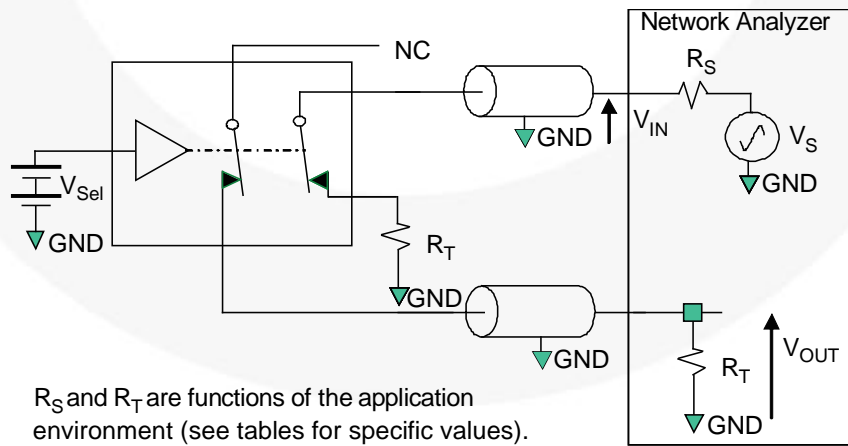


$R_L$  and  $C_L$  are functions of the application environment (see tables for specific values).  $C_L$  includes test fixture and stray capacitance.

**Figure 5. AC Test Circuit Load**



**Figure 6. Turn-On / Turn-Off Waveforms**

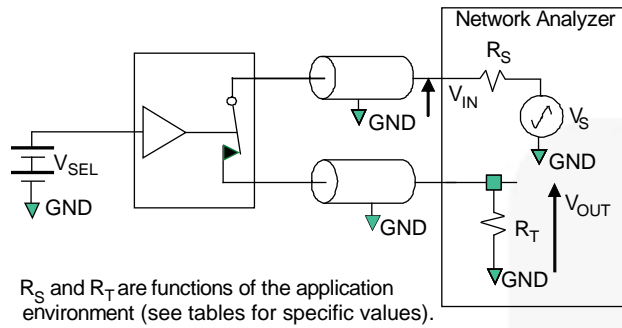


$R_S$  and  $R_T$  are functions of the application environment (see tables for specific values).

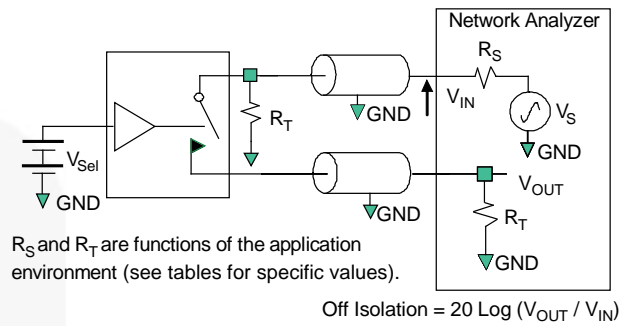
$$\text{Crosstalk} = 20 \text{ Log} (V_{\text{OUT}} / V_{\text{IN}})$$

**Figure 7. Non-Adjacent Channel-to-Channel Crosstalk**

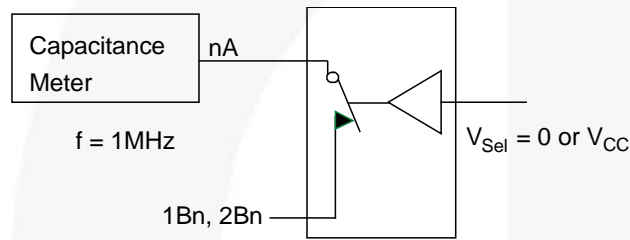
**Test Diagrams (Continued)**



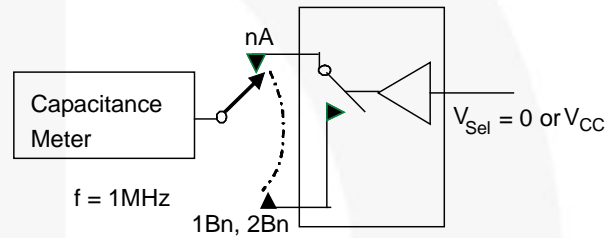
**Figure 8. Bandwidth**



**Figure 9. Channel Off Isolation**



**Figure 10. Channel On Capacitance**



**Figure 11. Channel Off Capacitance**



Typical Performance Characteristics

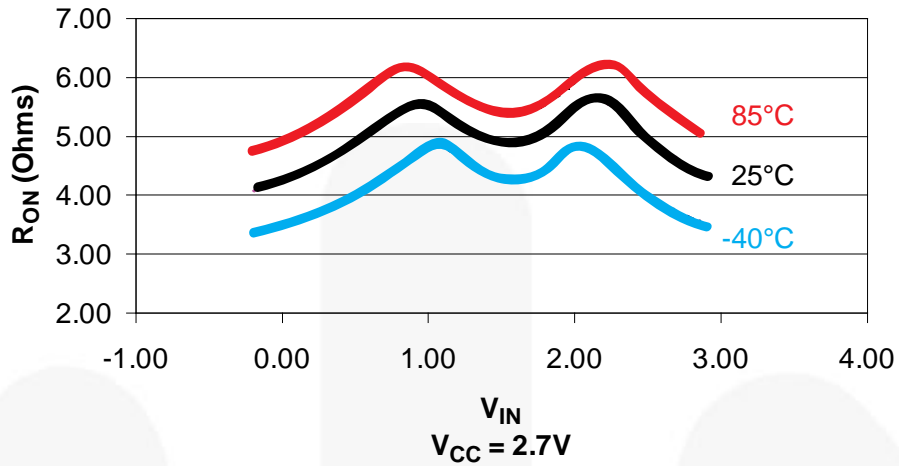


Figure 12.  $R_{ON}$

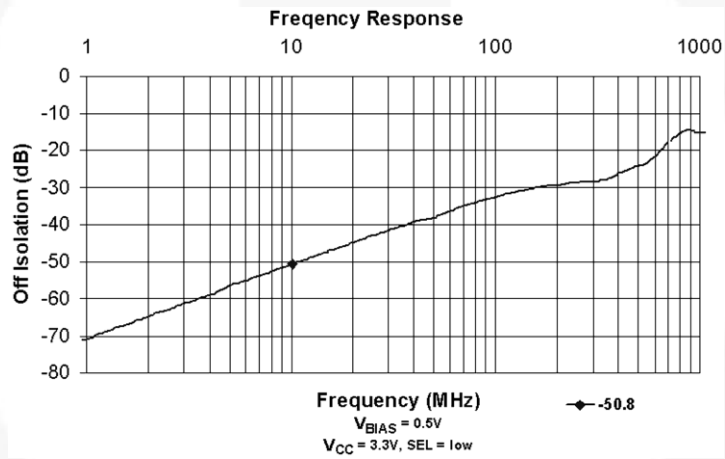


Figure 13. Off Isolation

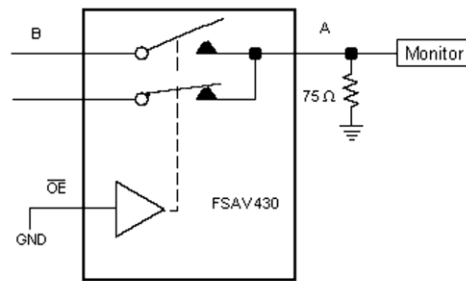
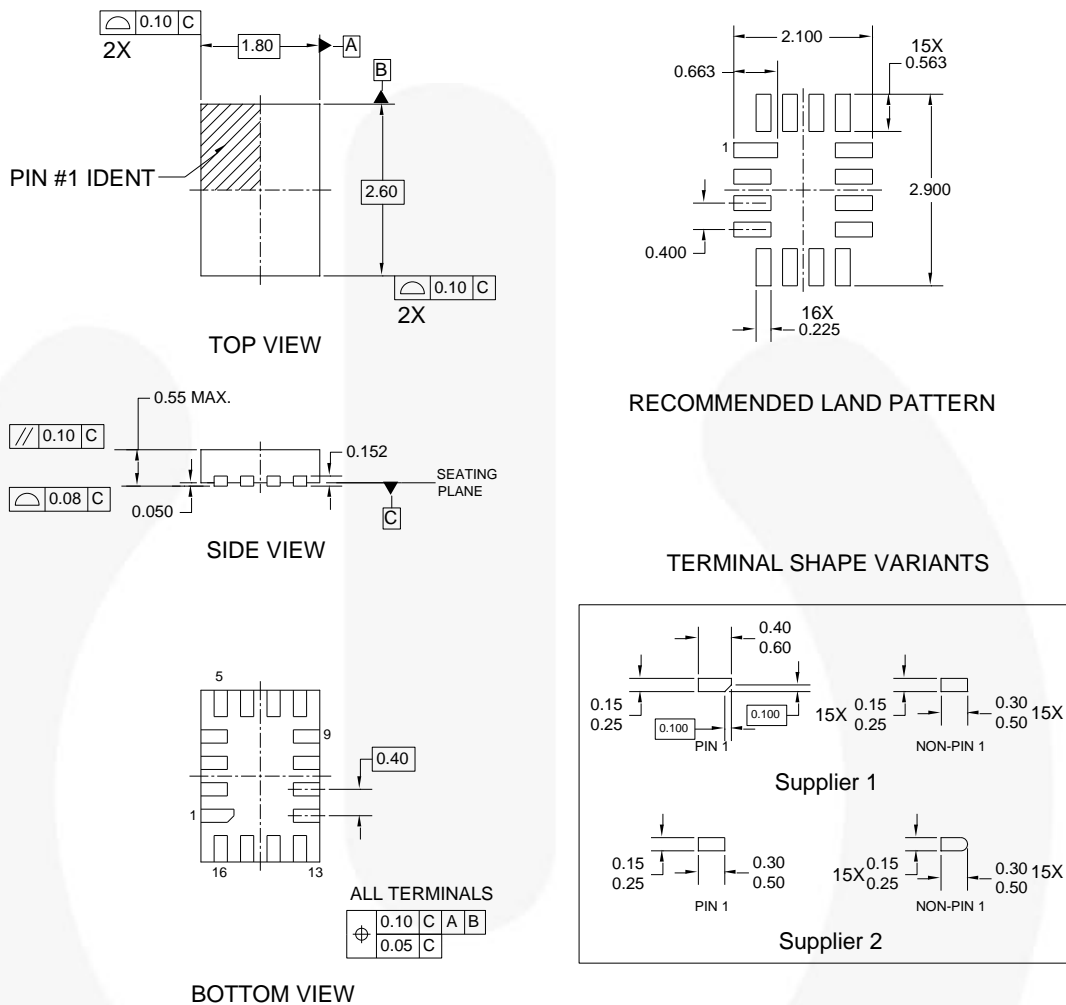


Figure 14. Bandwidth

## Physical Dimensions



### NOTES:

- A. THIS PACKAGE IS NOT CURRENTLY REGISTERED WITH ANY STANDARDS COMMITTEE
- B. DIMENSIONS ARE IN MILLIMETERS.
- C. DIMENSIONS AND TOLERANCES PER ASME Y14.5M, 1994
- D. TERMINAL SHAPE MAY VARY ACCORDING TO PACKAGE SUPPLIER, SEE TERMINAL SHAPE VARIANTS
- E. LAND PATTERN IS A MINIMAL TOE DESIGN
- F. DRAWING FILE NAME : UMLP16AREV3



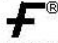

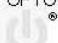

**Figure 15. 16-Lead Ultrathin Molded Leadless Package (UMLP)**

Package drawings are provided as a service to customers considering Fairchild components. Drawings may change in any manner without notice. Please note the revision and/or date on the drawing and contact a Fairchild Semiconductor representative to verify or obtain the most recent revision. Package specifications do not expand the terms of Fairchild's worldwide terms and conditions, specifically the warranty therein, which covers Fairchild products.

Always visit Fairchild Semiconductor's online packaging area for the most recent package drawings:  
<http://www.fairchildsemi.com/packaging/>

**TRADEMARKS**

The following includes registered and unregistered trademarks and service marks, owned by Fairchild Semiconductor and/or its global subsidiaries, and is not intended to be an exhaustive list of all such trademarks.

- |                                                                                     |                                                                                     |                                                                                     |                                                                                       |
|-------------------------------------------------------------------------------------|-------------------------------------------------------------------------------------|-------------------------------------------------------------------------------------|---------------------------------------------------------------------------------------|
| AccuPower™                                                                          | FPS™                                                                                | PowerTrench®                                                                        | The Power Franchise®                                                                  |
| Auto-SPM™                                                                           | F-PFST™                                                                             | PowerXS™                                                                            | <b>the power franchise</b>                                                            |
| Build it Now™                                                                       | FRFET®                                                                              | Programmable Active Droop™                                                          | TinyBoost™                                                                            |
| CorePLUS™                                                                           | Global Power Resource™                                                              | QFET®                                                                               | TinyBuck™                                                                             |
| CorePOWER™                                                                          | Green FPS™                                                                          | QS™                                                                                 | TinyCalc™                                                                             |
| CROSSVOL7™                                                                          | Green FPS™ e-Series™                                                                | Quiet Series™                                                                       | TinyLogic®                                                                            |
| CTL™                                                                                | Gmax™                                                                               | RapidConfigure™                                                                     | TINYOPTO™                                                                             |
| Current Transfer Logic™                                                             | GTO™                                                                                |  ™ | TinyPower™                                                                            |
| EcoSPARK®                                                                           | IntelliMAX™                                                                         | Saving our world, 1mW/W/kW at a time™                                               | TinyPWM™                                                                              |
| EfficientMax™                                                                       | ISOPLANAR™                                                                          | SignalWise™                                                                         | TinyWire™                                                                             |
| EZSWITCH™                                                                           | MegaBuck™                                                                           | SmartMax™                                                                           | TriFault Detect™                                                                      |
|  ™ | MICROCOUPLER™                                                                       | SMART START™                                                                        | TRUECURRENT™                                                                          |
|  ™ | MicroFET™                                                                           | SPM®                                                                                | μSerDes™                                                                              |
| Fairchild®                                                                          | MicroPak™                                                                           | STEALTH™                                                                            |  ™ |
| Fairchild Semiconductor®                                                            | MillerDrive™                                                                        | SuperFET™                                                                           | UHC®                                                                                  |
| FACT Quiet Series™                                                                  | MotionMax™                                                                          | SuperSOT™-3                                                                         | Ultra FRFET™                                                                          |
| FACT®                                                                               | Motion-SPM™                                                                         | SuperSOT™-8                                                                         | UniFET™                                                                               |
| FAST®                                                                               | OPTOLOGIC®                                                                          | SupreMOS™                                                                           | VCX™                                                                                  |
| FastvCore™                                                                          | OPTOPLANAR®                                                                         | SyncFET™                                                                            | VisualMax™                                                                            |
| FETBench™                                                                           |  ™ | Sync-Lock™                                                                          | XS™                                                                                   |
| FlashWriter®                                                                        | PDP SPM™                                                                            |  ™ |                                                                                       |
|                                                                                     | Power-SPM™                                                                          |                                                                                     |                                                                                       |

\* Trademarks of System General Corporation, used under license by Fairchild Semiconductor.

**DISCLAIMER**

FAIRCHILD SEMICONDUCTOR RESERVES THE RIGHT TO MAKE CHANGES WITHOUT FURTHER NOTICE TO ANY PRODUCTS HEREIN TO IMPROVE RELIABILITY, FUNCTION, OR DESIGN. FAIRCHILD DOES NOT ASSUME ANY LIABILITY ARISING OUT OF THE APPLICATION OR USE OF ANY PRODUCT OR CIRCUIT DESCRIBED HEREIN; NEITHER DOES IT CONVEY ANY LICENSE UNDER ITS PATENT RIGHTS, NOR THE RIGHTS OF OTHERS. THESE SPECIFICATIONS DO NOT EXPAND THE TERMS OF FAIRCHILD'S WORLDWIDE TERMS AND CONDITIONS, SPECIFICALLY THE WARRANTY THEREIN, WHICH COVERS THESE PRODUCTS.

**LIFE SUPPORT POLICY**

FAIRCHILD'S PRODUCTS ARE NOT AUTHORIZED FOR USE AS CRITICAL COMPONENTS IN LIFE SUPPORT DEVICES OR SYSTEMS WITHOUT THE EXPRESS WRITTEN APPROVAL OF FAIRCHILD SEMICONDUCTOR CORPORATION.

As used herein:

1. Life support devices or systems are devices or systems which, (a) are intended for surgical implant into the body or (b) support or sustain life, and (c) whose failure to perform when properly used in accordance with instructions for use provided in the labeling, can be reasonably expected to result in a significant injury of the user.
2. A critical component in any component of a life support device, or system whose failure to perform can be reasonably expected to cause the failure of the life support device or system, or to affect its safety or effectiveness.

**ANTI-COUNTERFEITING POLICY**

Fairchild Semiconductor Corporation's Anti-Counterfeiting Policy. Fairchild's Anti-Counterfeiting Policy is also stated on our external website, [www.fairchildsemi.com](http://www.fairchildsemi.com), under Sales Support.

Counterfeiting of semiconductor parts is a growing problem in the industry. All manufacturers of semiconductor products are experiencing counterfeiting of their parts. Customers who inadvertently purchase counterfeit parts experience many problems such as loss of brand reputation, substandard performance, failed applications, and increased cost of production and manufacturing delays. Fairchild is taking strong measures to protect ourselves and our customers from the proliferation of counterfeit parts. Fairchild strongly encourages customers to purchase Fairchild parts either directly from Fairchild or from Authorized Fairchild Distributors who are listed by country on our web page cited above. Products customers buy either from Fairchild directly or from Authorized Fairchild Distributors are genuine parts, have full traceability, meet Fairchild's quality standards for handling and storage and provide access to Fairchild's full range of up-to-date technical and product information. Fairchild and our Authorized Distributors will stand behind all warranties and will appropriately address any warranty issues that may arise. Fairchild will not provide any warranty coverage or other assistance for parts bought from Unauthorized Sources. Fairchild is committed to combat this global problem and encourage our customers to do their part in stopping this practice by buying direct or from authorized distributors.

**PRODUCT STATUS DEFINITIONS**

**Definition of Terms**

Datasheet Identification	Product Status	Definition
Advance Information	Formative / In Design	Datasheet contains the design specifications for product development. Specifications may change in any manner without notice.
Preliminary	First Production	Datasheet contains preliminary data; supplementary data will be published at a later date. Fairchild Semiconductor reserves the right to make changes at any time without notice to improve design.
No Identification Needed	Full Production	Datasheet contains final specifications. Fairchild Semiconductor reserves the right to make changes at any time without notice to improve the design.
Obsolete	Not In Production	Datasheet contains specifications on a product that is discontinued by Fairchild Semiconductor. The datasheet is for reference information only.

Rev. 142

ON Semiconductor and  are trademarks of Semiconductor Components Industries, LLC dba ON Semiconductor or its subsidiaries in the United States and/or other countries. ON Semiconductor owns the rights to a number of patents, trademarks, copyrights, trade secrets, and other intellectual property. A listing of ON Semiconductor's product/patent coverage may be accessed at [www.onsemi.com/site/pdf/Patent-Marking.pdf](http://www.onsemi.com/site/pdf/Patent-Marking.pdf). ON Semiconductor reserves the right to make changes without further notice to any products herein. ON Semiconductor makes no warranty, representation or guarantee regarding the suitability of its products for any particular purpose, nor does ON Semiconductor assume any liability arising out of the application or use of any product or circuit, and specifically disclaims any and all liability, including without limitation special, consequential or incidental damages. Buyer is responsible for its products and applications using ON Semiconductor products, including compliance with all laws, regulations and safety requirements or standards, regardless of any support or applications information provided by ON Semiconductor. "Typical" parameters which may be provided in ON Semiconductor data sheets and/or specifications can and do vary in different applications and actual performance may vary over time. All operating parameters, including "Typicals" must be validated for each customer application by customer's technical experts. ON Semiconductor does not convey any license under its patent rights nor the rights of others. ON Semiconductor products are not designed, intended, or authorized for use as a critical component in life support systems or any FDA Class 3 medical devices or medical devices with a same or similar classification in a foreign jurisdiction or any devices intended for implantation in the human body. Should Buyer purchase or use ON Semiconductor products for any such unintended or unauthorized application, Buyer shall indemnify and hold ON Semiconductor and its officers, employees, subsidiaries, affiliates, and distributors harmless against all claims, costs, damages, and expenses, and reasonable attorney fees arising out of, directly or indirectly, any claim of personal injury or death associated with such unintended or unauthorized use, even if such claim alleges that ON Semiconductor was negligent regarding the design or manufacture of the part. ON Semiconductor is an Equal Opportunity/Affirmative Action Employer. This literature is subject to all applicable copyright laws and is not for resale in any manner.

## PUBLICATION ORDERING INFORMATION

### LITERATURE FULFILLMENT:

Literature Distribution Center for ON Semiconductor  
19521 E. 32nd Pkwy, Aurora, Colorado 80011 USA  
**Phone:** 303-675-2175 or 800-344-3860 Toll Free USA/Canada  
**Fax:** 303-675-2176 or 800-344-3867 Toll Free USA/Canada  
**Email:** [orderlit@onsemi.com](mailto:orderlit@onsemi.com)

**N. American Technical Support:** 800-282-9855 Toll Free  
USA/Canada  
**Europe, Middle East and Africa Technical Support:**  
Phone: 421 33 790 2910  
**Japan Customer Focus Center**  
Phone: 81-3-5817-1050

**ON Semiconductor Website:** [www.onsemi.com](http://www.onsemi.com)  
**Order Literature:** <http://www.onsemi.com/orderlit>  
For additional information, please contact your local  
Sales Representative

# Mouser Electronics

Authorized Distributor

Click to View Pricing, Inventory, Delivery & Lifecycle Information:

[ON Semiconductor:](#)

[FSA2457UMX](#)

Компания «Life Electronics» занимается поставками электронных компонентов импортного и отечественного производства от производителей и со складов крупных дистрибьюторов Европы, Америки и Азии.

С конца 2013 года компания активно расширяет линейку поставок компонентов по направлению коаксиальный кабель, кварцевые генераторы и конденсаторы (керамические, пленочные, электролитические), за счёт заключения дистрибьюторских договоров

Мы предлагаем:

- Конкурентоспособные цены и скидки постоянным клиентам.
- Специальные условия для постоянных клиентов.
- Подбор аналогов.
- Поставку компонентов в любых объемах, удовлетворяющих вашим потребностям.
- Приемлемые сроки поставки, возможна ускоренная поставка.
- Доставку товара в любую точку России и стран СНГ.
- Комплексную поставку.
- Работу по проектам и поставку образцов.
- Формирование склада под заказчика.
- Сертификаты соответствия на поставляемую продукцию (по желанию клиента).
- Тестирование поставляемой продукции.
- Поставку компонентов, требующих военную и космическую приемку.
- Входной контроль качества.
- Наличие сертификата ISO.

В составе нашей компании организован Конструкторский отдел, призванный помогать разработчикам, и инженерам.

Конструкторский отдел помогает осуществить:

- Регистрацию проекта у производителя компонентов.
- Техническую поддержку проекта.
- Защиту от снятия компонента с производства.
- Оценку стоимости проекта по компонентам.
- Изготовление тестовой платы монтаж и пусконаладочные работы.



Тел: +7 (812) 336 43 04 (многоканальный)

Email: [org@lifeelectronics.ru](mailto:org@lifeelectronics.ru)