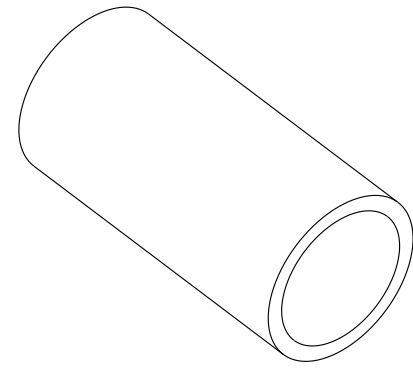
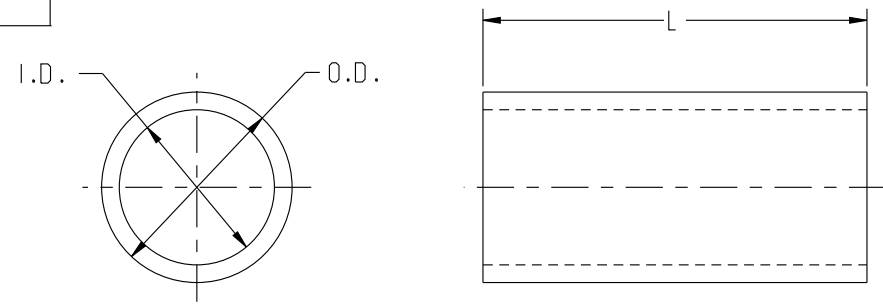


DWG. NO.  
SA25594



NOTE:

1. MATERIALS: AS NOTED.
  2. PLATING: TIN PLATED.
  3. SURFACE TREATMENT : IRIDITE OVER CADMIUM PLATE.
- \* THESE SIZES NOT IRIDITED.

SCALE 8:1

THIS DRAWING IS A CONTROLLED DOCUMENT FOR SOURIAU USA, INC. IT IS SUBJECT TO CHANGE WITHOUT NOTIFICATION. CONTACT THE DOCUMENT CONTROL CENTER FOR THE LATEST REVISION.

THE INFORMATION CONTAINED IN THIS DRAWING IS CONFIDENTIAL AND MAY NOT BE DISCLOSED WITHOUT WRITTEN CONSENT FROM SOURIAU USA, INC.

| OUTER HYRING |        |                     |      |                                |                  |                         |                    |                  |
|--------------|--------|---------------------|------|--------------------------------|------------------|-------------------------|--------------------|------------------|
| L=.25        |        | DIAMETER (IN INCH.) |      | INSTALLATION TOOLS             |                  |                         |                    |                  |
| CAT. NO.     | COLOR  | I.D.                | O.D. | RATCHET HYTOOLS                |                  | HYTOOLS                 | HYPRESSES          |                  |
|              |        |                     |      | MR8PV TYPE INCLUDES DIE        | M8ND DIE SET NO. | Y10R Y10C-1 DIE SET NO. | Y10NCP DIE SET NO. | Y8ND DIE SET NO. |
| YOC 70       | *TIN   | .101                | .124 | MR8PV-14S                      |                  | R7VST                   |                    |                  |
| YOC 80       | BLUE   | .125                | .156 | MR8PV-S                        | N8VST            | R8VST                   | N8VST              |                  |
| YOC 90       | PURPLE | .149                | .179 | MR8PV-S, MR8PV-1S              | N10VST           | R14VST-5                | N10VST             |                  |
| YOC 100      | YELLOW | .156                | .196 | MR8PV-S, MR8PV-1S              | N10VST           | R14VST-5                | N10VST             |                  |
| YOC 110      | BLUE   | .180                | .204 | MR8PV-S, MR8PV-1S              | N10VST           | R14VST-5                | N10VST             |                  |
| YOC 112      | BLUE   | .175                | .215 | MR8PV-S, MR8PV-1S              | N12VST           | R14VST-5                | N12VST             |                  |
| YOC 120      | ORANGE | .187                | .227 | MR8PV-S, MR8PV-1S              | N12VST           | R14VST-5                | N12VST             |                  |
| YOC 128      | *TIN   | .199                | .235 | MR8PV-S, MR8PV-1S              | N12VST           | R14VST-5                | N12VST             |                  |
| YOC 130      | YELLOW | .207                | .243 | MR8PV-S, MR8PV-1S<br>MR8PV-10S | N12VST<br>N13VST | R14VST-5<br>R14VST-3    | N12VST<br>N13VST   |                  |
| YOC 140      | GREEN  | .219                | .250 | MR8PV-1S<br>MR8PV-11S          | N14VST           | R14VST-5                | N14VST             |                  |
| YOC 150      | ORANGE | .235                | .266 | MR8PV-2                        | N16VT            | R18VT-3                 | N16VT              |                  |
| YOC 160      | YELLOW | .261                | .297 | MR8PV-2                        | N16VT            | R18VT-3                 | N16VT              |                  |
| YOC 180      | PURPLE | .281                | .331 | MR8PV-2                        |                  | R18VT-3                 |                    |                  |
| YOC 190      | GREEN  | .300                | .335 | MR8PV-2                        |                  | R18VT-3                 |                    |                  |
| YOC 200      | YELLOW | .312                | .362 | MR8PV-3                        |                  | R20VT                   |                    |                  |
| YOC 220      | ORANGE | .344                | .394 | MR8PV-4<br>MR8PV-11S           |                  | R22VT                   |                    |                  |
| YOC 240      | BLUE   | .375                | .406 | MR8PV-7                        |                  | R24VT                   |                    |                  |
| YOC 250      | RED    | .405                | .453 | MR8PV-6                        |                  | R25VT                   |                    |                  |
| YOC 320G1    | PURPLE | .500                | .550 |                                |                  | R29VT                   |                    |                  |
| YOC 371G1    | *TIN   | .580                | .620 |                                |                  | R32VT                   |                    |                  |
| YOC 370      | *TIN   | .705                | .755 | MD5-36                         |                  |                         |                    |                  |

| INNER HYRING |        |                     |      |
|--------------|--------|---------------------|------|
| L=.31        |        | DIAMETER (IN INCH.) |      |
| CAT. NO.     | COLOR  | I.D.                | O.D. |
| YIC046       | *TIN   | .046                | .070 |
| YIC058       | YELLOW | .058                | .083 |
| YIC063       | RED    | .063                | .088 |
| YIC071       | GREEN  | .071                | .096 |
| YIC080       | BLUE   | .080                | .104 |
| YIC090       | ORANGE | .090                | .114 |
| YIC101       | YELLOW | .101                | .124 |
| YIC109       | RED    | .109                | .131 |
| YIC115       | *TIN   | .115                | .146 |
| YIC124       | GREEN  | .124                | .145 |
| YIC125       | YELLOW | .125                | .156 |
| YIC134       | ORANGE | .134                | .156 |
| YIC150       | BLUE   | .150                | .181 |
| YIC156       | RED    | .166                | .191 |
| YIC180       | GREEN  | .180                | .204 |
| YIC194       | BLUE   | .194                | .255 |
| YIC219       | *TIN   | .219                | .243 |
| YIC261       | BLUE   | .261                | .297 |
| YIC297       | RED    | .297                | .337 |
| YIC375G1     | *TIN   | .375                | .423 |
| YIC472G1     | *TIN   | .472                | .516 |
| YIC495G1     | *TIN   | .495                | .535 |
| YIC340       | *TIN   | .340                | .390 |



PROPER SELECTION OF HYRINGS:

OUTER FERRULES MAY BE USED IN COMBINATION WITH ANY INNER FERRULES, DEPENDING ON THE SIZE OF THE CONDUCTOR, THE THICKNESS OF THE SHIELD AND THE SIZE OF THE GROUND TAP. HOWEVER, DUE TO VARIATION IN INSULATION DIAMETER AND BRAID CONSTRUCTION, THE RECOMMENDED BASIS FOR SIZE SELECTION FOR SHIELDED CABLE IS A FACTORY-INSTALLED, SAMPLE CONNECTION MADE ON ACTUAL WIRE TO BE USED. IF IT IS NOT CONVENIENT TO FORWARD WIRE SAMPLES, SIZES CAN BE DETERMINED AS FOLLOWS:

DETERMINE O.D. OF INNER INSULATION. SELECT INNER HYRING FROM CHART ABOVE HAVING I.D. A MINIMUM OF .005 GREATER THAN THIS DIAMETER. TO THE O.D. OF THIS FERRULE ADD .025 (FOR SINGLE BRAID) PLUS .040 FOR WIRE TAP (UPTO #18), IF USED, AND SELECT OUTER FERRULE HAVING I.D. ATLEAST EQUAL TO THIS FIGURE. THE PROPER CRIMPING TOOL FOR EACH OUTER HYRING IS LISTED ON TABLE.

SUPERSEDES: SA-25594-16

|     |                       |                 |                 |
|-----|-----------------------|-----------------|-----------------|
| W   | REVISED PER ECN 11866 | CJM<br>12-12-12 | SDH<br>12-12-12 |
| REV | DESCRIPTION           | BY<br>DATE      | CHKD<br>DATE    |


DRAWING TITLE  
**COLORED FERRULES**

CAT NO. **YIC & YOC \_\_\_\_\_ (SEE TABLE)**

CAGE NO: 09922      SIZE: B

CUSTOMER

INTERPRET THIS DRAWING IN ACCORDANCE WITH ASME Y14.5M-1994.



**SOURIAU**  
Connection Technology

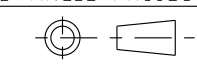
www.souriau.com

APPROVAL

|                |     |          |
|----------------|-----|----------|
| DRAWN:         | NVM | 11-14-11 |
| CHKD :         | SDH | 11-14-11 |
| DSGN :         | XXX | mm-dd-yy |
| MFG :          | DH  | 11-14-11 |
| QC :           | BB  | 11-14-11 |
| DRAWING SCALE: |     | 8:1      |
| DRAWING NO.    |     | REV      |
| SA25594        |     | W        |
| 1 OF 1         |     |          |

LINEAR MEASURE: INCH INCH [mm]

THIRD ANGLE PROJECTION



TOLERANCES UNLESS OTHERWISE SPECIFIED

| No. OF PLACES | INCH [mm]   |
|---------------|-------------|
| ONE PLACE     | ±.1 [±3]    |
| TWO PLACES    | ±0.02 [±.5] |
| THREE PLACES  | ±0.005      |

ANGLES ±1°

Компания «Life Electronics» занимается поставками электронных компонентов импортного и отечественного производства от производителей и со складов крупных дистрибьюторов Европы, Америки и Азии.

С конца 2013 года компания активно расширяет линейку поставок компонентов по направлению коаксиальный кабель, кварцевые генераторы и конденсаторы (керамические, пленочные, электролитические), за счёт заключения дистрибьюторских договоров

Мы предлагаем:

- Конкурентоспособные цены и скидки постоянным клиентам.
- Специальные условия для постоянных клиентов.
- Подбор аналогов.
- Поставку компонентов в любых объемах, удовлетворяющих вашим потребностям.
- Приемлемые сроки поставки, возможна ускоренная поставка.
- Доставку товара в любую точку России и стран СНГ.
- Комплексную поставку.
- Работу по проектам и поставку образцов.
- Формирование склада под заказчика.
- Сертификаты соответствия на поставляемую продукцию (по желанию клиента).
- Тестирование поставляемой продукции.
- Поставку компонентов, требующих военную и космическую приемку.
- Входной контроль качества.
- Наличие сертификата ISO.

В составе нашей компании организован Конструкторский отдел, призванный помогать разработчикам, и инженерам.

Конструкторский отдел помогает осуществить:

- Регистрацию проекта у производителя компонентов.
- Техническую поддержку проекта.
- Защиту от снятия компонента с производства.
- Оценку стоимости проекта по компонентам.
- Изготовление тестовой платы монтаж и пусконаладочные работы.



Тел: +7 (812) 336 43 04 (многоканальный)

Email: [org@lifeelectronics.ru](mailto:org@lifeelectronics.ru)