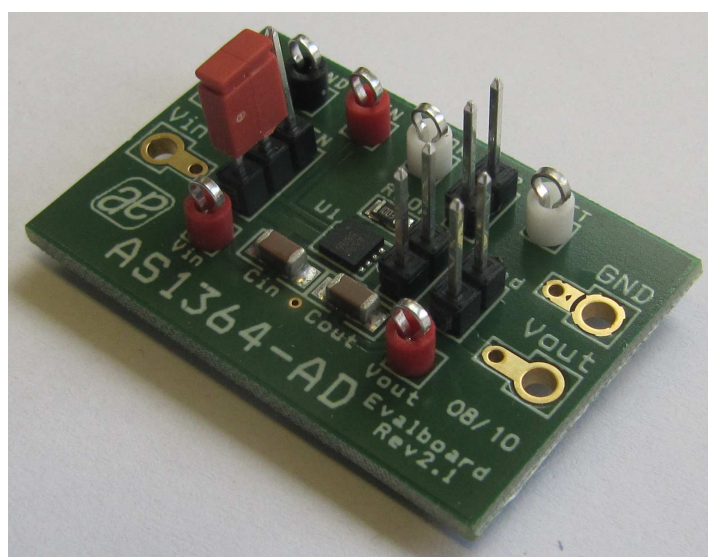
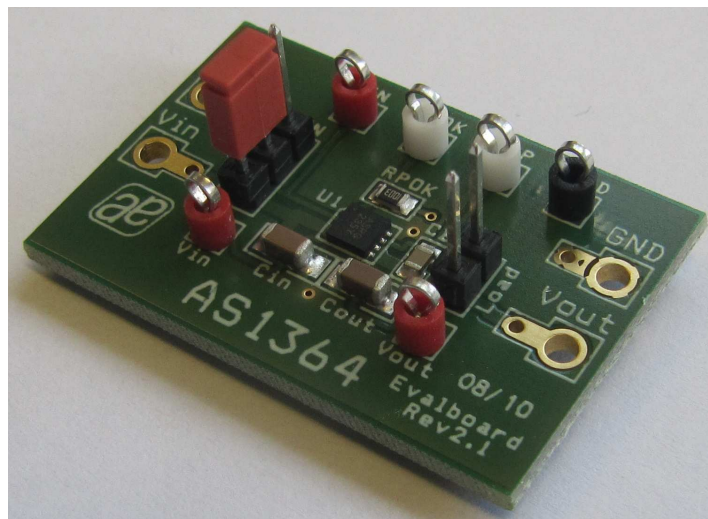


Demo Board Manual

AS1364

1A, Low-Dropout Linear Voltage Regulator

www.austriamicrosystems.com/LDO/AS1364



General Description

Board Description

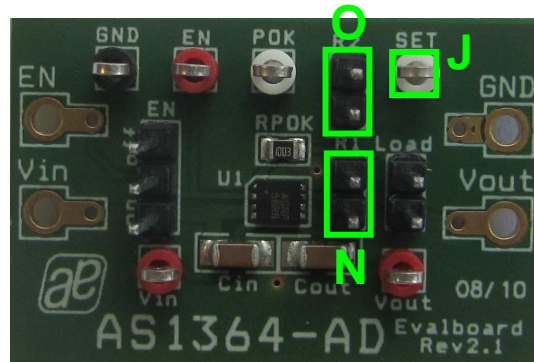
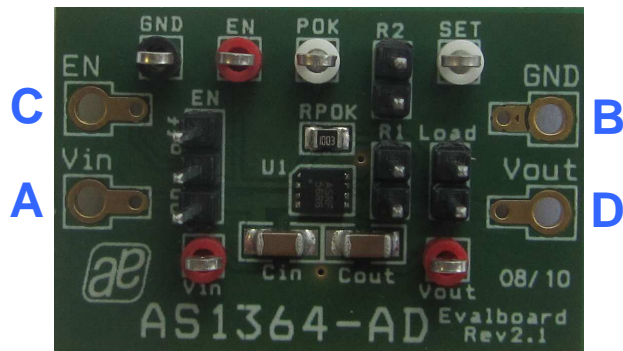
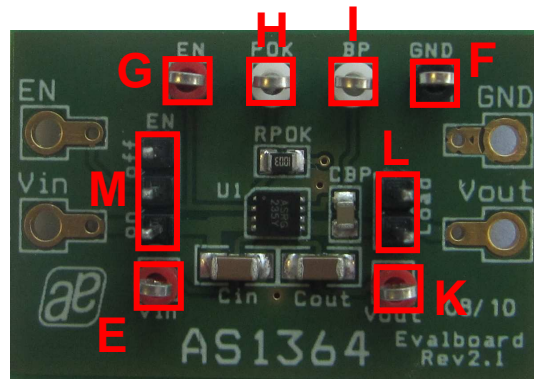
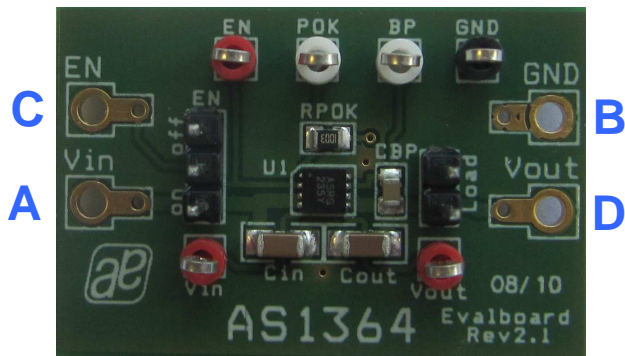


Figure 1: Board Description - Connectors

Figure 2: Board Description – Measurement Points

Connector Description

Label	Name	Description	Info
A	VIN	Supply Voltage	Supply voltage range from 2.0V to 5.5V
B	GND	Ground	
C	EN	Active High Enable Input	Set the digital input "high" for normal operation. For shutdown, set "low"
D	VOUT	Output Voltage	Output voltage range from 1.2V to 4.5V (fixed) Output voltage range from 1.2V to 5.3V (adjustable)

Measurement Point Description

Label	Name	Description	Info
E	VIN	Supply Voltage	Measurement Points
F	GND	Ground	
G	EN	Active High Enable Input	
H	POK	Open Drain POK Output	
I	BP	BP (fixed Vout version)	
J	SET	SET (adjustable Vout version)	
K	VOUT	Output Voltage	
L	Load	External load	
M	EN	Enable	<input type="checkbox"/> ON: The AS1364 is enabled <input type="checkbox"/> OFF: The AS1364 is disabled <input type="checkbox"/> No Jumper: Connect a valid enable signal via external connector "C".
N	R1	Resistor divider for adjustable Vout version	R1 between Vout and SET R2 between SET and GND
O	R2		

Getting Started

The AS1364 Demoboard is designed to work with the AS1364 fixed output voltage version.
The AS1364 fixed Vout version is available with 1.5V, 1.8V, 3.0V, 3.3V and 4.5V.

The AS1364-AD Demoboard is designed to work with the AS1364 adjustable output voltage version.
The AS1364-AD adjustable Vout version has a valid Vout range from 1.2V to 5.3V. This Vout is adjustable via the resistor divider R1/R2. A value for R2 in the range of 25kΩ to 100kΩ should be sufficient.
To use the factory preset Vout of 3.3V connect SET directly to GND (R1 = open; R2 = 0Ω).

Bill of Materials

Ref.	Function	Value	Description	Manufacturer	Mfg. Order Nr.
Cin	Input Capacitor	4.7μF	1206 / X7R / 16V	diverse	
Cout	Output Capacitor	4.7μF	1206 / X7R / 16V	diverse	
CBP*	Bypass Capacitor	10nF	0805/X7R	diverse	
RPOK	POK pull-up resistor	100kΩ	0805	diverse	
U1	LDO	ASRx	8pin TDFN 3x3	Austriamicrosystems AG	AS1364-BTDT-xx

*) only for fixed Vout version

Layout of Demo Board

Board schematics and layout

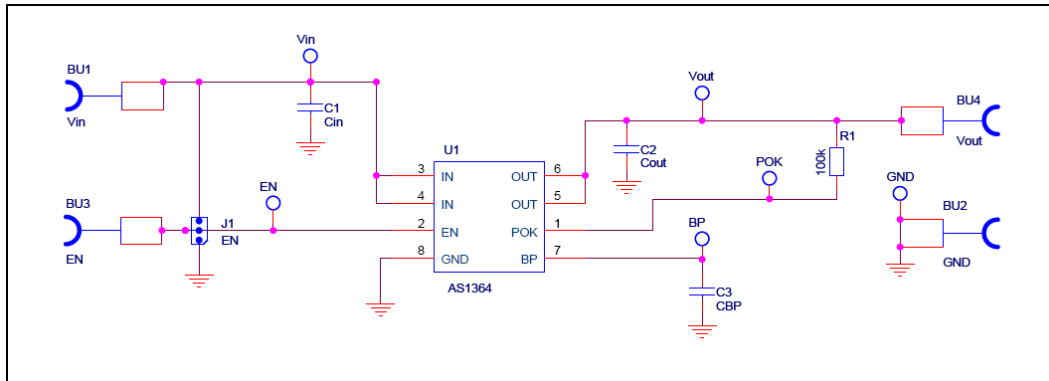


Figure 3: Schematics (fixed Vout)

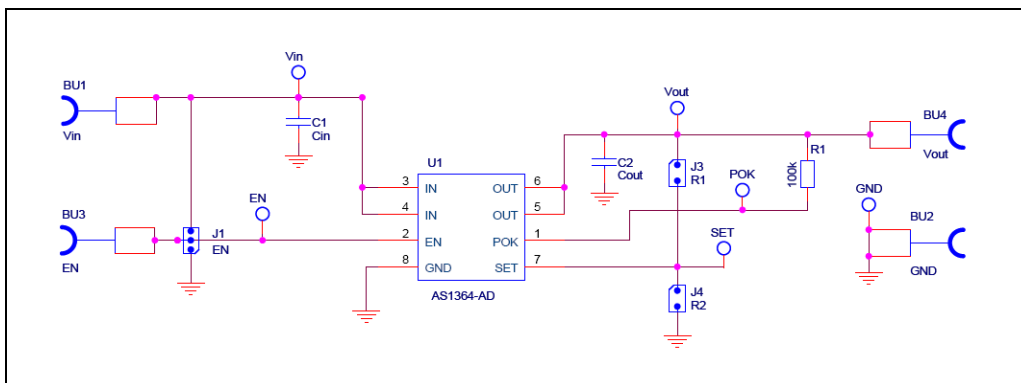


Figure 4: Schematics (adjustable Vout)

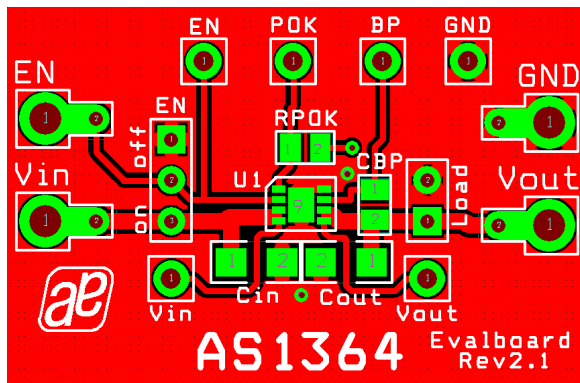


Figure 5: Top + Bottom Layer (fixed Vout)

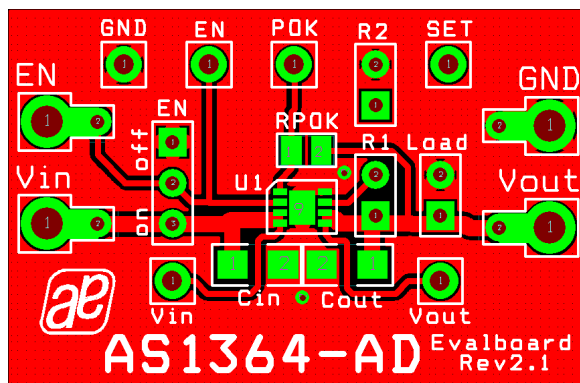


Figure 6: Top + Bottom Layer (adjustable Vout)

Copyright

Copyright © 1997-2010, austriamicrosystems AG, Tobelbaderstraße 30, 8141 Unterpremstätten - Graz, Austria - Europe. Trademarks Registered ®. All rights reserved. The material herein may not be reproduced, adapted, merged, translated, stored, or used without the prior written consent of the copyright owner.

All products and companies mentioned are trademarks or registered trademarks of their respective companies.

Disclaimer

Devices sold by austriamicrosystems AG are covered by the warranty and patent indemnification provisions appearing in its Term of Sale. austriamicrosystems AG makes no warranty, express, statutory, implied, or by description regarding the information set forth herein or regarding the freedom of the described devices from patent infringement. Austriamicrosystems AG reserves the right to change specifications and prices at any time and without notice. Therefore, prior to designing this product into a system, it is necessary to check with austriamicrosystems AG for current information.

This product is intended for use in normal commercial applications. Applications requiring extended temperature range, unusual environmental requirements, or high reliability applications, such as military, medical life-support or life-sustaining equipment are specifically not recommended without additional processing by austriamicrosystems AG for each application. For shipments of less than 100 parts the manufacturing flow might show deviations from the standard production flow, such as test flow or test location.

The information furnished here by austriamicrosystems AG is believed to be correct and accurate. However, austriamicrosystems AG shall not be liable to recipient or any third party for any damages, including but not limited to personal injury, property damage, loss of profits, loss of use, interruption of business or indirect, special, incidental or consequential damages, of any kind, in connection with or arising out of the furnishing, performance or use of the technical data herein. No obligation or liability to recipient or any third party shall arise or flow out of austriamicrosystems AG rendering of technical or other services.



Contact Information

Headquarters

austriamicrosystems AG
Tobelbaderstraße 30
A-8141 Unterpremstätten - Graz, Austria
T. +43 (0) 3136 500 0
F. +43 (0) 3136 5692

For Sales Offices, Distributors and Representatives, please visit:
<http://www.austriamicrosystems.com/contact>

Компания «Life Electronics» занимается поставками электронных компонентов импортного и отечественного производства от производителей и со складов крупных дистрибьюторов Европы, Америки и Азии.

С конца 2013 года компания активно расширяет линейку поставок компонентов по направлению коаксиальный кабель, кварцевые генераторы и конденсаторы (керамические, пленочные, электролитические), за счёт заключения дистрибьюторских договоров

Мы предлагаем:

- Конкурентоспособные цены и скидки постоянным клиентам.
- Специальные условия для постоянных клиентов.
- Подбор аналогов.
- Поставку компонентов в любых объемах, удовлетворяющих вашим потребностям.
- Приемлемые сроки поставки, возможна ускоренная поставка.
- Доставку товара в любую точку России и стран СНГ.
- Комплексную поставку.
- Работу по проектам и поставку образцов.
- Формирование склада под заказчика.
- Сертификаты соответствия на поставляемую продукцию (по желанию клиента).
- Тестирование поставляемой продукции.
- Поставку компонентов, требующих военную и космическую приемку.
- Входной контроль качества.
- Наличие сертификата ISO.

В составе нашей компании организован Конструкторский отдел, призванный помогать разработчикам, и инженерам.

Конструкторский отдел помогает осуществить:

- Регистрацию проекта у производителя компонентов.
- Техническую поддержку проекта.
- Защиту от снятия компонента с производства.
- Оценку стоимости проекта по компонентам.
- Изготовление тестовой платы монтаж и пусконаладочные работы.



Тел: +7 (812) 336 43 04 (многоканальный)

Email: org@lifeelectronics.ru