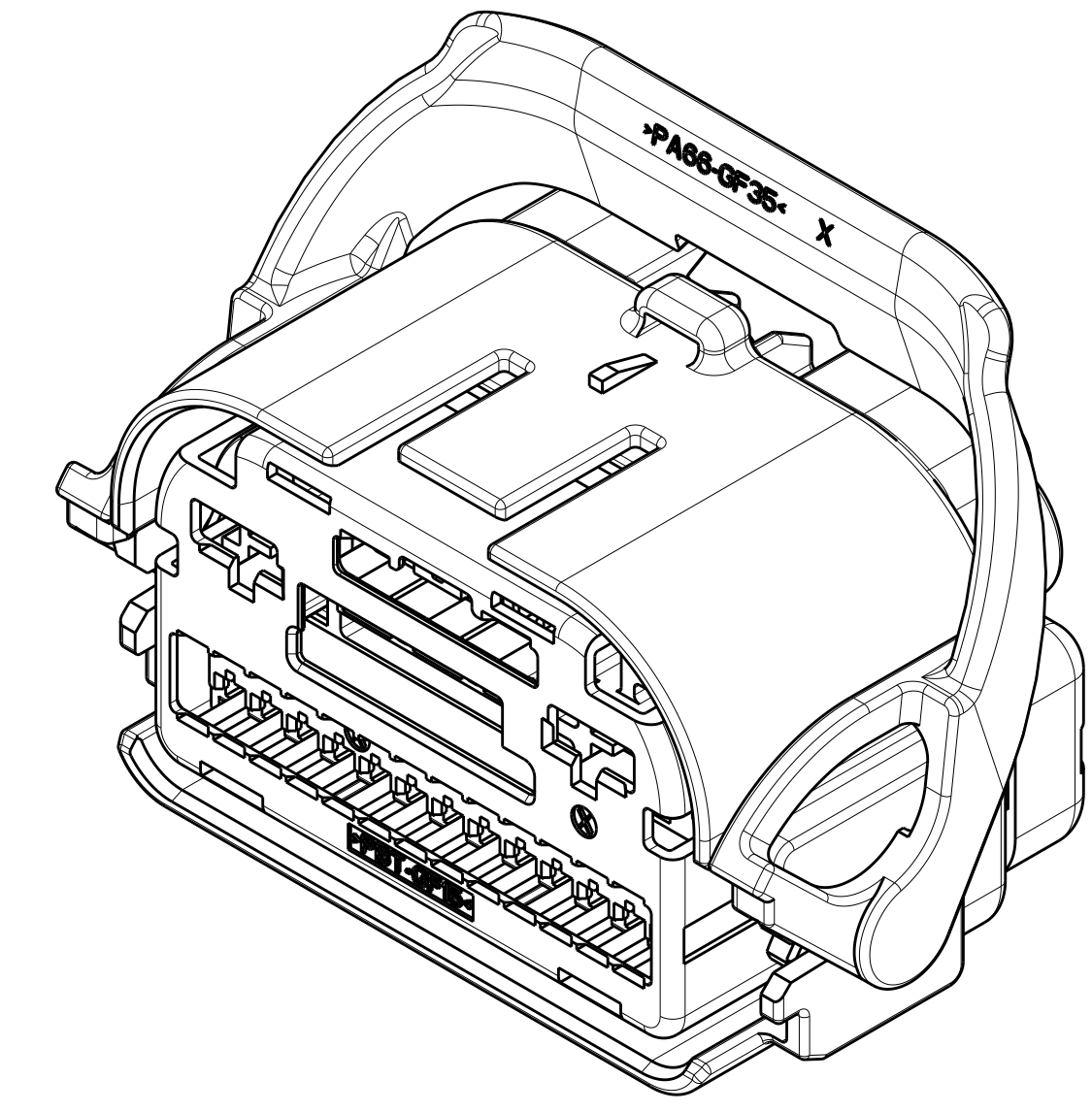


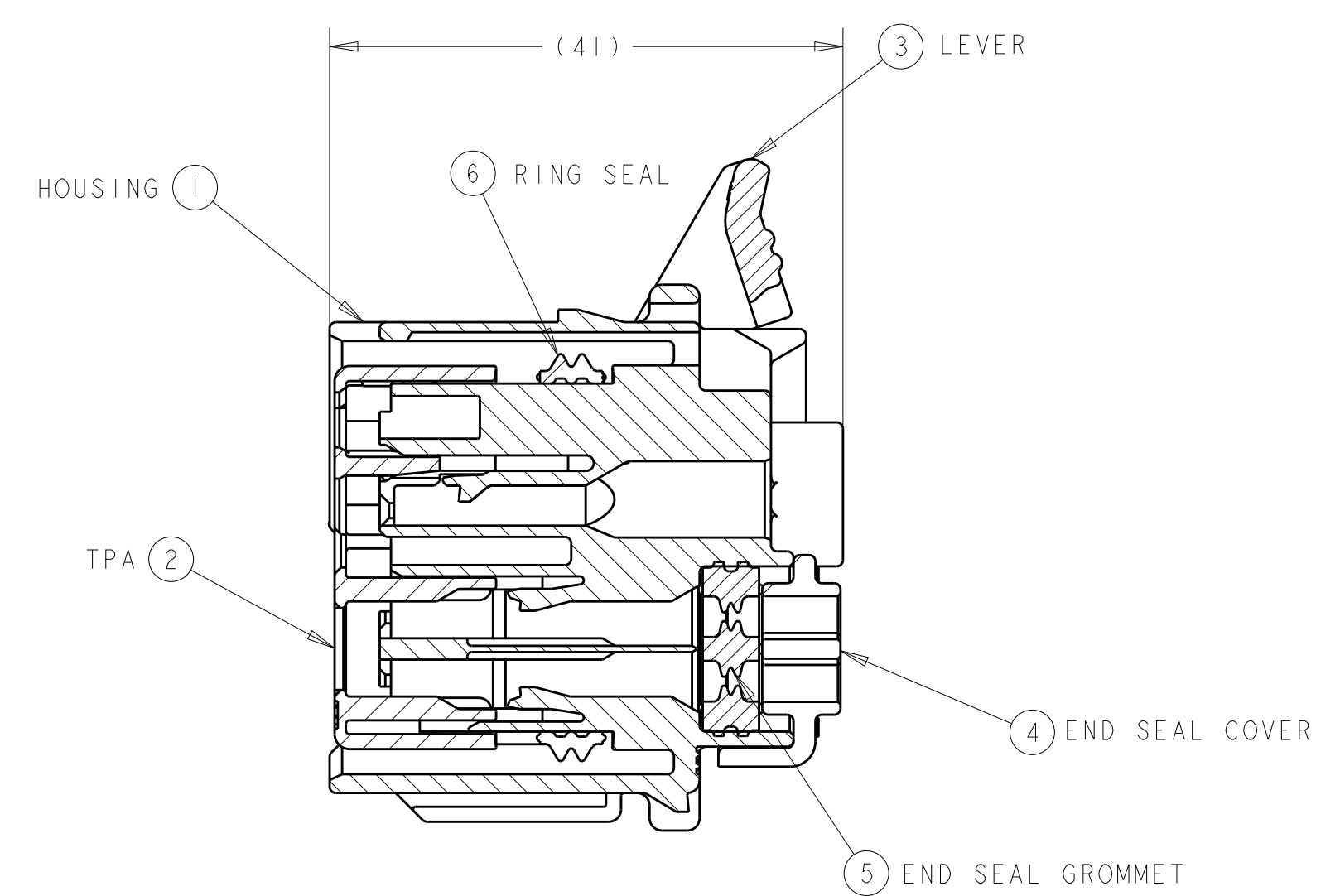
LIST OF PARTS

| QTY REQUIRED | | | ITEM | DESCRIPTION | COLOR | MATERIAL SPECIFICATION | RECYCLING CODE | WEIGHT (GRAM) |
|--------------|---------|---------|------|----------------------------|---------|------------------------|----------------|---------------|
| INDEX C | INDEX B | INDEX A | | | | | | |
| - | - | 1 | 1 | HOUSING, KEYING OPTION "A" | BLACK | 30% GF PBT | >PBT-GF30< | TBD |
| - | 1 | - | | HOUSING, KEYING OPTION "B" | GRAY | 30% GF PBT | >PBT-GF30< | TBD |
| 1 | - | - | | HOUSING, KEYING OPTION "C" | NATURAL | 30% GF PBT | >PBT-GF30< | TBD |
| 1 | 1 | 1 | 2 | TPA | RED | 15% GF PBT | >PBT-GF15< | TBD |
| 1 | 1 | 1 | 3 | LEVER | GRAY | 33% GF NYLON | >PA66-GF33< | TBD |
| 1 | 1 | 1 | 4 | END SEAL COVER | BLACK | 15% GF PBT | >PBT-GF15< | TBD |
| 1 | 1 | 1 | 5 | END SEAL GROMMET | LT BLUE | SILICON | >VMO< | TBD |
| 1 | 1 | 1 | 6 | RING SEAL | BLUE | SILICON | >VMO< | TBD |

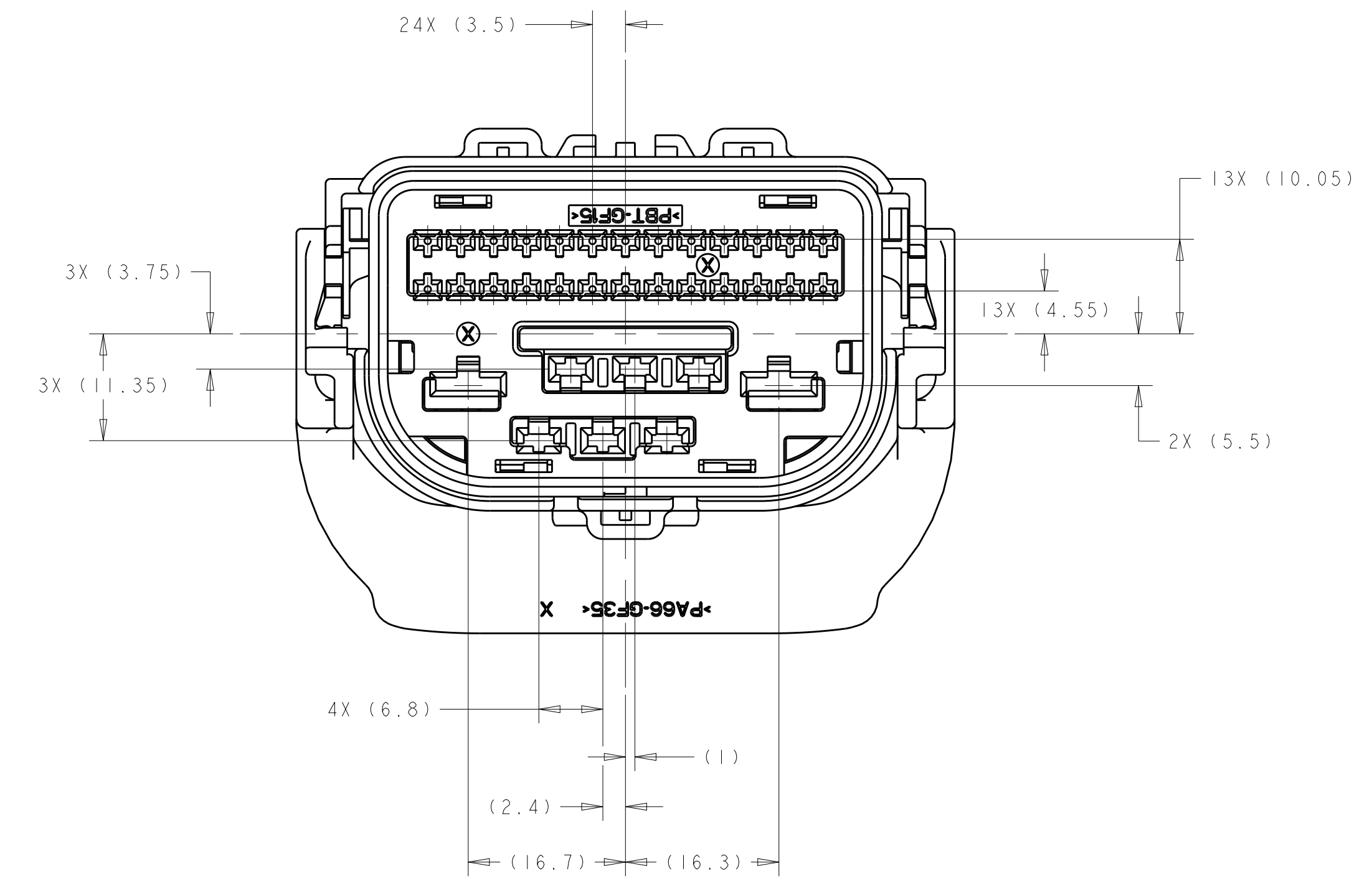
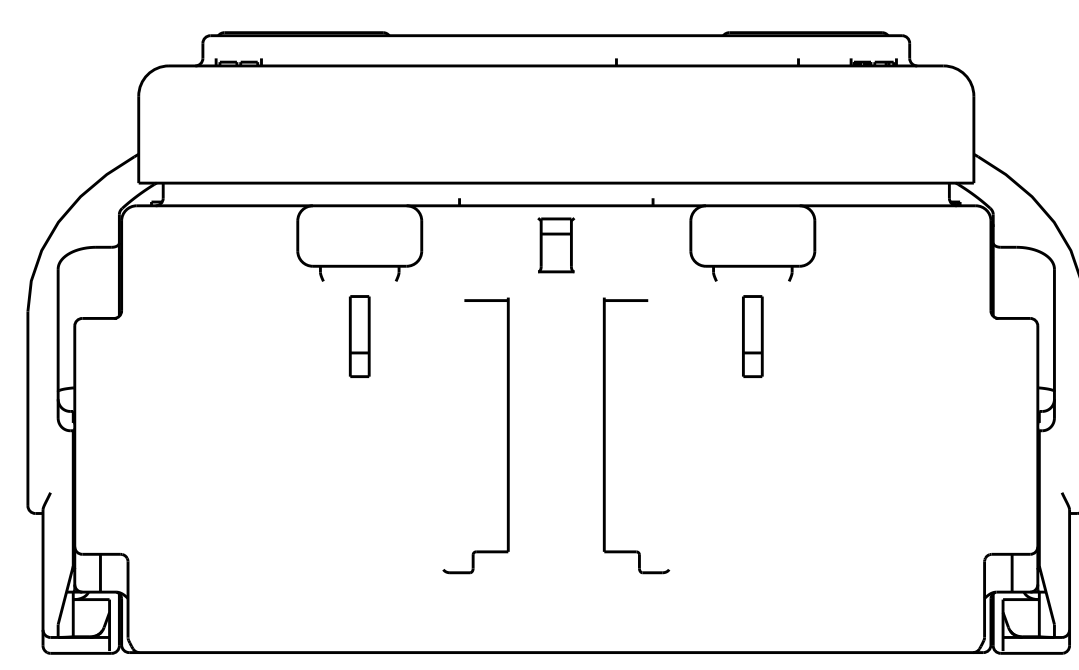
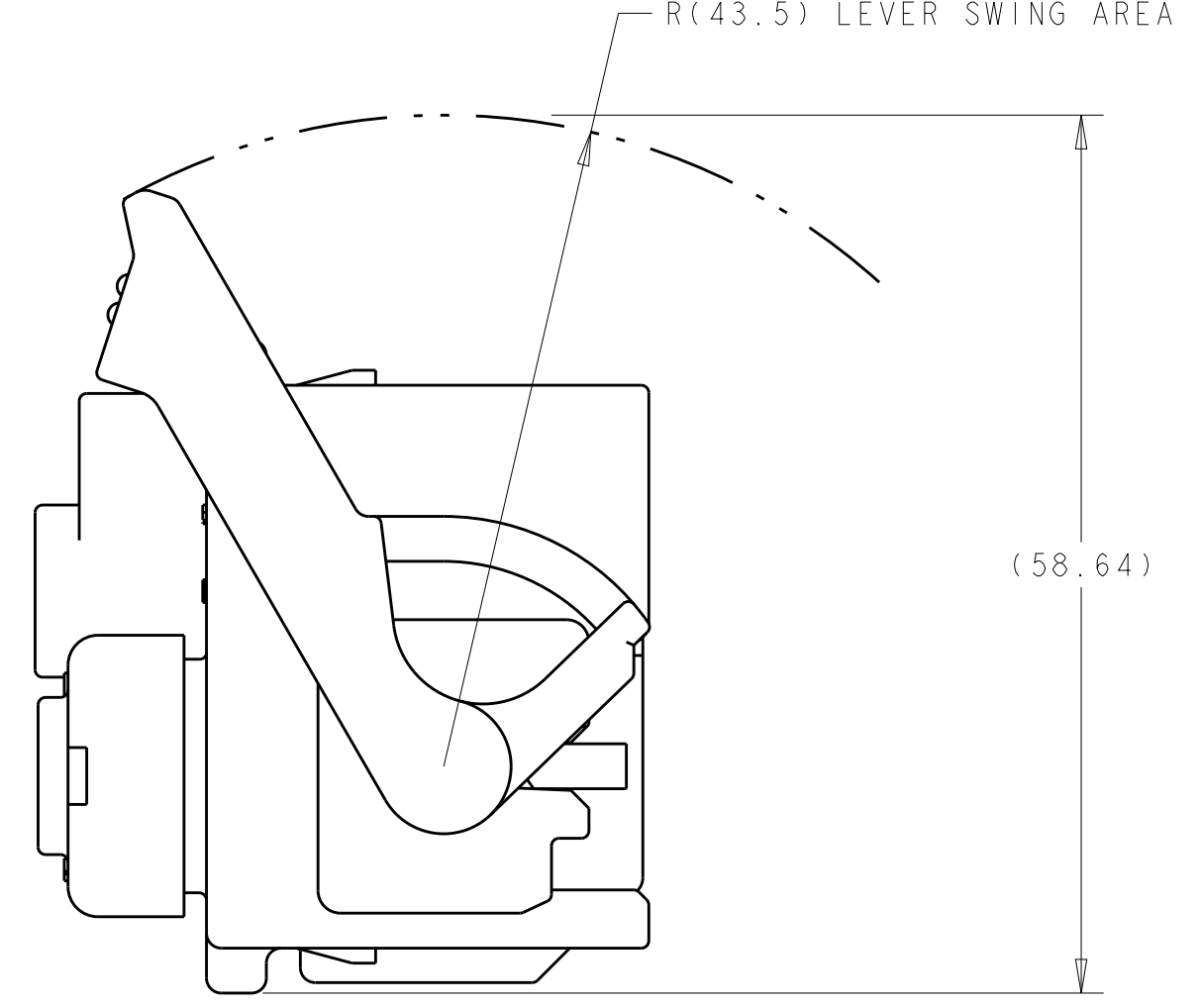
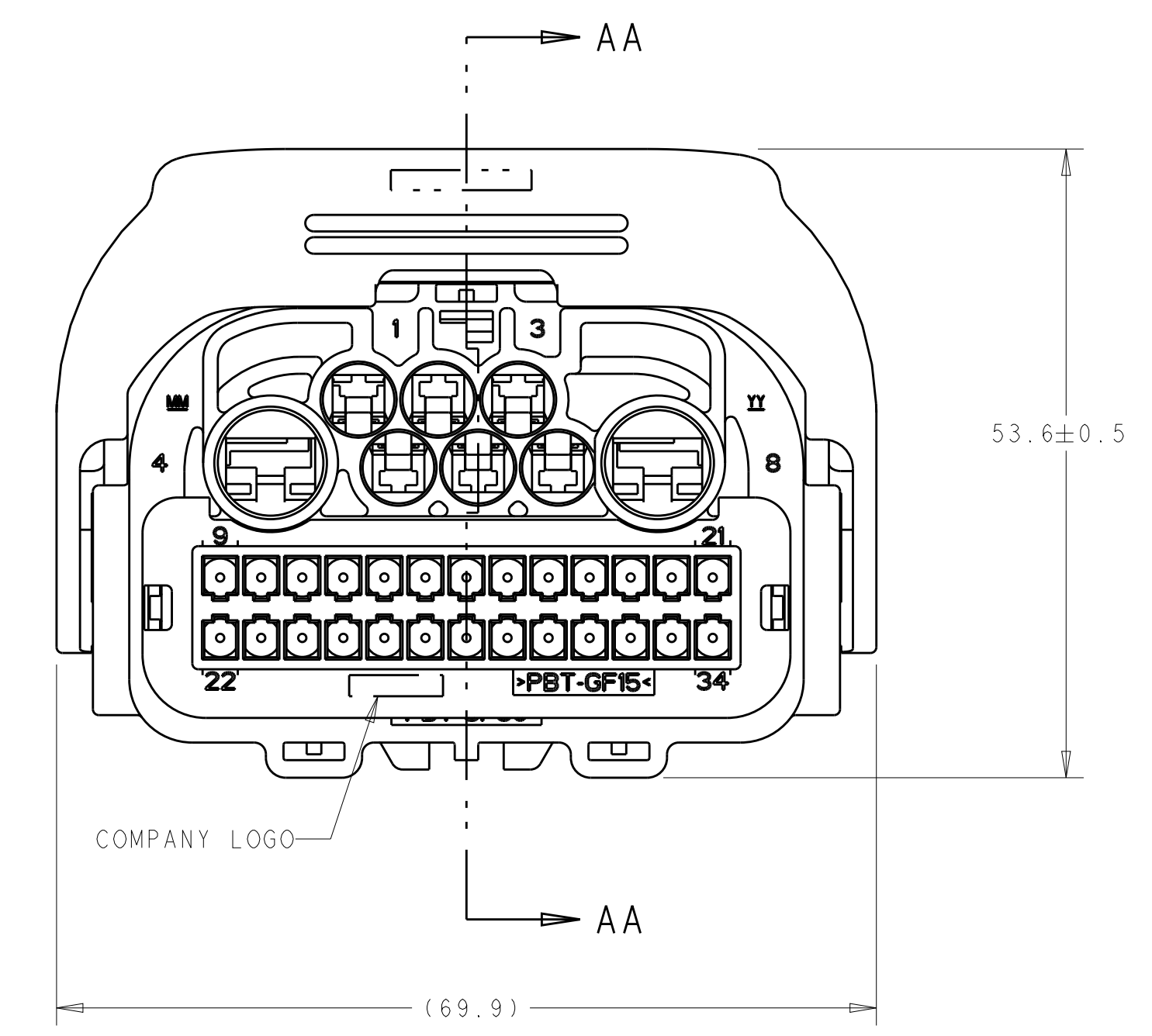
| REVISIONS | | | | |
|-----------|-----|---------------------------|-----------|--------|
| # | LTN | DESCRIPTION | DATE | APPD |
| B26 | | REVISED PER ECO-18-006343 | 23JAN2018 | JMS HC |
| B27 | | REVISED PER ECO-18-009916 | 26JAN2018 | JMS HC |
| B28 | | REVISED PER ECO-18-010529 | 16JUL2018 | JMS HC |
| B29 | | REVISED PER ECO-18-015009 | 24SEP2018 | JMS HC |



- PART MUST CONFORM TO THE USCAR-2 SPECIFICATION, DATED 07/DEC/00 (REVISION 3).
 - 0.2mm MAXIMUM RADIUS PERMISSIBLE ON EDGES AND FILLETS SHOWN AS SHARP FOR PLASTIC PARTS.
 - PRODUCTION DATE CODE AND PINOUT ID CODE MUST BE LEGIBLE AND PERMANENTLY APPLIED WHEREVER PACKAGE SIZE PERMITS OR OTHER AGREEMENTS ARE MADE.
 - MATES WITH ASSEMBLY SHOWN ON DRAWING 1438842.
- SEE TE INSTRUCTION SHEET 408-8911 FOR PROPER POSITIONING OF TPA AND TE INSTRUCTION SHEET 408-8832 FOR APPLICATION USE OF CONNECTOR SYSTEM.
- TERMINAL CAVITIES 9-34 ARE RESTRICTED TO WIRE OD RANGE OF 1.20 - 2.34mm.



SECTION AA-AA
 TPA AND LEVER SHOWN IN PRE-SEATED POSITION



| APPLICABLE COMPONENTS (FOR REFERENCE ONLY) | | | | APPLICABLE WIRE SIZES (FOR REFERENCE ONLY)† | COMPONENT MATING PART NUMBER |
|--|---------------|----------|----------------------|---|------------------------------|
| DESCRIPTION | COLOR/PLATING | SUPPLIER | SUPPLIER PART NUMBER | | |
| TERMINAL - FEMALE 1.5mm | TIN | MOLEX | 33012-2001 | 18 AWG OR METRIC EQUIVALENT | 33000-0002 |
| TERMINAL - FEMALE 1.5mm | TIN | MOLEX | 33012-2002 | 18-20 AWG OR METRIC EQUIVALENT | 33000-0002 |
| TERMINAL - FEMALE 1.5mm | TIN | MOLEX | 33012-2003 | 22 AWG OR METRIC EQUIVALENT | 33000-0003 |
| TERMINAL - FEMALE 2.8mm | TIN | TE | 1326032-2 | 20 AWG OR METRIC EQUIVALENT | 1326031-2 |
| TERMINAL - FEMALE 2.8mm | TIN | TE | 1326032-3 | 18 AWG OR METRIC EQUIVALENT | 1326031-3 |
| TERMINAL - FEMALE 2.8mm | TIN | TE | 1326032-4 | 16 AWG OR METRIC EQUIVALENT | 1326031-4 |
| TERMINAL - FEMALE 2.8mm | TIN | TE | 1326032-5 | 14 AWG OR METRIC EQUIVALENT | 1326031-5 |
| TERMINAL - FEMALE 2.8mm | TIN | TE | 1326032-6 | 12 AWG OR METRIC EQUIVALENT | 1-1326031-1 |
| CABLE SEAL - 2.8mm | GREEN | YAZAKI | 7158-3111-60 | 1.2-1.9mm WIRE O.D. | N/A |
| CABLE SEAL - 2.8mm | YELLOW | YAZAKI | 7158-3112-70 | 1.8-2.3mm WIRE O.D. | N/A |
| CABLE SEAL - 2.8mm | WHITE | YAZAKI | 7158-3113-40 | 2.1-3.0mm WIRE O.D. | N/A |
| CABLE SEAL - 2.8mm | LT GRAY | YAZAKI | 7158-3110-40 | 3.1-3.3mm WIRE O.D. | N/A |
| TERMINAL - FEMALE 6.3mm | TIN | YAZAKI | 7116-4140-02 | 20-16 AWG OR METRIC EQUIVALENT | 7114-4140-02 |
| TERMINAL - FEMALE 6.3mm | TIN | YAZAKI | 7116-4141-02 | 14 AWG OR METRIC EQUIVALENT | 7114-4141-02 |
| TERMINAL - FEMALE 6.3mm | TIN | YAZAKI | 7116-4142-02 | 12 AWG OR METRIC EQUIVALENT | 7114-4142-02 |
| TERMINAL - FEMALE 6.3mm | TIN | YAZAKI | 7116-4143-02 | 10 AWG OR METRIC EQUIVALENT | 7114-4143-02 |
| CABLE SEAL - 6.3mm | RED | YAZAKI | 7158-3081-50 | 1.4-2.3mm WIRE O.D. | N/A |
| CABLE SEAL - 6.3mm | BLUE | YAZAKI | 7158-3082-90 | 2.1-3.0mm WIRE O.D. | N/A |
| CABLE SEAL - 6.3mm | BLACK | YAZAKI | 7158-3083 | 3.0-3.8mm WIRE O.D. | N/A |
| CABLE SEAL - 6.3mm | LT GRAY | YAZAKI | 7158-3084-40 | 3.8-4.05mm WIRE O.D. | N/A |
| ANTI-ROTATION CLIP | NATURAL | TRW | PC47597-1 | N/A | N/A |
| SINGLE TREE CLIP | NATURAL | TRW | PC47688-1 | N/A | N/A |
| CAVITY PLUG - 2.8mm | BLUE | YAZAKI | 7158-3114-90 | N/A | N/A |
| CAVITY PLUG - 6.3mm | GREEN | YAZAKI | 7158-3080-60 | N/A | N/A |

NOTE: SEE SUPPLIER DRAWINGS FOR LATEST INFORMATION AND CRIMP SPECIFICATIONS.

THIS DRAWING IS A CONTROLLED DOCUMENT. DATE: 19OCT2004
 DIMENSIONS: (MM)
 DIMENSIONS IN INCHES OR FRACTIONS OF INCHES: (INCHES)
 DIMENSIONS IN MILLIMETERS OR FRACTIONS OF MILLIMETERS: (MILLIMETERS)
 DIMENSIONS IN CENTIMETERS OR FRACTIONS OF CENTIMETERS: (CENTIMETERS)
 DIMENSIONS IN METERS OR FRACTIONS OF METERS: (METERS)
 DIMENSIONS IN KILOMETERS OR FRACTIONS OF KILOMETERS: (KILOMETERS)
 DIMENSIONS IN MILES OR FRACTIONS OF MILES: (MILES)
 DIMENSIONS IN FEET OR FRACTIONS OF FEET: (FEET)
 DIMENSIONS IN YARDS OR FRACTIONS OF YARDS: (YARDS)
 DIMENSIONS IN METERS OR FRACTIONS OF METERS: (METERS)
 DIMENSIONS IN KILOMETERS OR FRACTIONS OF KILOMETERS: (KILOMETERS)
 DIMENSIONS IN MILES OR FRACTIONS OF MILES: (MILES)
 DIMENSIONS IN FEET OR FRACTIONS OF FEET: (FEET)
 DIMENSIONS IN YARDS OR FRACTIONS OF YARDS: (YARDS)

TE Connectivity
 PLUG ASSEMBLY, 34 WAY, SEALED, INLINE HYBRID, FEMALE
 SCALE: 2:1
 SHEET 1 OF 4
 REV: 629

| REVISIONS | | | |
|-----------|------|-------------|----------|
| # | DATE | DESCRIPTION | APPROVED |
| - | | SEE SHEET 1 | |
| | | | |
| | | | |

CIRCUITS 1 THRU 8
 REMAIN OPEN

| TE P/N | PINOUT ID CODE | INDEX (KEY) | COLOR | 1 | 2 | 3 | 4 | 5 | 6 | 7 | 8 | 9 | 10 | 11 | 12 | 13 | 14 | 15 | 16 | 17 | 18 | 19 | 20 | 21 | 22 | 23 | 24 | 25 | 26 | 27 | 28 | 29 | 30 | 31 | 32 | 33 | 34 | | |
|-------------|----------------|-------------|-------|---|---|---|---|---|---|---|---|---|----|----|----|----|----|----|----|----|----|----|----|----|----|----|----|----|----|----|----|----|----|----|----|----|----|--|--|
| 7-2203654-9 | AGT | A | BLACK | | | | | | | | | | | | | | | | | | | | | | | | | | | | | | | | | | | | |
| 7-2203654-8 | AGS | B | GRAY | | | | | | | | | | | | | | | | | | | | | | | | | | | | | | | | | | | | |
| 7-2203654-7 | AGR | A | BLACK | | | | | | | | | | | | | | | | | | | | | | | | | | | | | | | | | | | | |
| 7-2203654-6 | AGQ | B | GRAY | | | | | | | | | | | | | | | | | | | | | | | | | | | | | | | | | | | | |
| 7-2203654-5 | AGP | B | GRAY | | | | | | | | | | | | | | | | | | | | | | | | | | | | | | | | | | | | |
| 7-2203654-4 | AGO | A | BLACK | | | | | | | | | | | | | | | | | | | | | | | | | | | | | | | | | | | | |
| 7-2203654-3 | AGN | A | BLACK | | | | | | | | | | | | | | | | | | | | | | | | | | | | | | | | | | | | |
| 7-2203654-2 | AGM | B | GRAY | | | | | | | | | | | | | | | | | | | | | | | | | | | | | | | | | | | | |
| 7-2203654-1 | AGL | A | BLACK | | | | | | | | | | | | | | | | | | | | | | | | | | | | | | | | | | | | |
| 7-2203654-0 | AGK | B | GRAY | | | | | | | | | | | | | | | | | | | | | | | | | | | | | | | | | | | | |
| 6-2203654-9 | AGJ | B | GRAY | | | | | | | | | | | | | | | | | | | | | | | | | | | | | | | | | | | | |
| 6-2203654-8 | AGI | A | BLACK | | | | | | | | | | | | | | | | | | | | | | | | | | | | | | | | | | | | |
| 6-2203654-7 | AGH | A | BLACK | | | | | | | | | | | | | | | | | | | | | | | | | | | | | | | | | | | | |
| 6-2203654-6 | AGG | A | BLACK | | | | | | | | | | | | | | | | | | | | | | | | | | | | | | | | | | | | |
| 6-2203654-5 | AGF | A | BLACK | | | | | | | | | | | | | | | | | | | | | | | | | | | | | | | | | | | | |
| 6-2203654-4 | AGE | A | BLACK | | | | | | | | | | | | | | | | | | | | | | | | | | | | | | | | | | | | |
| 6-2203654-3 | AGD | A | BLACK | | | | | | | | | | | | | | | | | | | | | | | | | | | | | | | | | | | | |
| 6-2203654-2 | AGC | A | BLACK | | | | | | | | | | | | | | | | | | | | | | | | | | | | | | | | | | | | |
| 6-2203654-1 | AGB | A | BLACK | | | | | | | | | | | | | | | | | | | | | | | | | | | | | | | | | | | | |
| 6-2203654-0 | AGA | A | BLACK | | | | | | | | | | | | | | | | | | | | | | | | | | | | | | | | | | | | |
| 5-2203654-9 | AFZ | A | BLACK | | | | | | | | | | | | | | | | | | | | | | | | | | | | | | | | | | | | |
| 5-2203654-8 | AFY | A | BLACK | | | | | | | | | | | | | | | | | | | | | | | | | | | | | | | | | | | | |
| 5-2203654-7 | AFX | A | BLACK | | | | | | | | | | | | | | | | | | | | | | | | | | | | | | | | | | | | |
| 5-2203654-6 | AFW | A | BLACK | | | | | | | | | | | | | | | | | | | | | | | | | | | | | | | | | | | | |

BLOCKED CAVITIES INDICATED BY A NUMERIC SYMBOL IN THAT CIRCUIT LOCATION

THIS DRAWING IS A CONTROLLED DOCUMENT. DATE: 12/20/2014. DWG NO: 190CT2004. REV: 1.0. DRUMMOND, CH, TE CONNECTIVITY. 34 WAY, SEALED, INLINE HYBRID, FEMALE. SIZE: A0. CASE CODE: 00779. DRAWING NO: 1438841. SCALE: 2:1. SHEET: 4 OF 4. REVISIONS: SEE SHEET 1.

Компания «Life Electronics» занимается поставками электронных компонентов импортного и отечественного производства от производителей и со складов крупных дистрибьюторов Европы, Америки и Азии.

С конца 2013 года компания активно расширяет линейку поставок компонентов по направлению коаксиальный кабель, кварцевые генераторы и конденсаторы (керамические, пленочные, электролитические), за счёт заключения дистрибьюторских договоров

Мы предлагаем:

- Конкурентоспособные цены и скидки постоянным клиентам.
- Специальные условия для постоянных клиентов.
- Подбор аналогов.
- Поставку компонентов в любых объемах, удовлетворяющих вашим потребностям.
- Приемлемые сроки поставки, возможна ускоренная поставка.
- Доставку товара в любую точку России и стран СНГ.
- Комплексную поставку.
- Работу по проектам и поставку образцов.
- Формирование склада под заказчика.
- Сертификаты соответствия на поставляемую продукцию (по желанию клиента).
- Тестирование поставляемой продукции.
- Поставку компонентов, требующих военную и космическую приемку.
- Входной контроль качества.
- Наличие сертификата ISO.

В составе нашей компании организован Конструкторский отдел, призванный помогать разработчикам, и инженерам.

Конструкторский отдел помогает осуществить:

- Регистрацию проекта у производителя компонентов.
- Техническую поддержку проекта.
- Защиту от снятия компонента с производства.
- Оценку стоимости проекта по компонентам.
- Изготовление тестовой платы монтаж и пусконаладочные работы.



Тел: +7 (812) 336 43 04 (многоканальный)
Email: org@lifeelectronics.ru