

Power Supply Unit, Primary Switched, Narrow Design MINI-PS-100-240AC/24DC/C2LPS

MINI POWER provides:

- **Extra narrow** design with widths of 22.5 mm, 45 mm, and 67.5 mm (0.886, 1.772, and 2.657 in.)
- **Global use** due to a wide-range input
- **A high level of operational safety** in complex global networks
- **Reliable startup** of heavy loads due to POWER BOOST

The reliability of a power supply unit determines the availability of individual components in a system and whether complex systems can function safely.

The globalization of markets increases the demands placed on the power supply unit. A wide-range input and a high level of availability are required. These requirements are met by MINI POWER.



1. Short Description

MINI POWER is the extra narrow power supply unit, which is available in widths of 22.5 mm, 45 mm, and 67.5 mm (0.886, 1.772, and 2.657 in.).

In addition to a 24 V version with output currents of 1 A, 2 A, and 4 A, special voltages are also available with 5 V/3 A, +/-15 V/1 A, and 10 - 15 V/2 A for connection to single-phase AC networks or to two external conductors in three-phase networks with nominal voltages of 100 - 240 V AC. Two DC/DC converters convert low direct voltages into an adjustable and regulated 24 V output voltage.

With the DIN rail bus connector, the MINI-SYS-PS can be connected in parallel to supply other modules in the same system with a regulated 24 V DC voltage.

Reliable startup of heavy loads is ensured by a power reserve of up to 100% – the POWER BOOST.

The high level of operational safety is also ensured in complex global networks. MINI POWER also operates in applications where static voltage dips or transient power supply failures.

Powerful capacitors ensure mains buffering of more than 20 ms at full load.



2. Area of Application

MINI POWER can be used globally due to the consistent provision of a wide-range input.

In this way, your entire system can be tested at any production location in the world and can be delivered to any location in the world without faulty switching of the input voltage. This reduces storage costs and logistical effort.

An international approval package including UL 60950 for IT equipment and UL 508 for industrial control equipment enables the device to be used globally.

Power Supply Unit, Primary Switched, Narrow Design – MINI-PS-100-240AC/24DC/C2LPS

General Data	
Insulation voltage:	Input/output 3 kV AC (type test)/3 kV AC (routine test)
Approval package	
Electrical equipment of machines	EN 60 204 (Surge Voltage Category III)
Safety transformers for switched-mode power supply units	EN 61 558-2-17
Electrical safety (of IT equipment)	EN 60950/VDE 0805
Industrial control equipment	UL/C-UL Recognized UL 60 950 
Limitation of output power	UL/C-UL Listed UL 508  LISTED
Electronic equipment for use in electrical power installations	NEC Class 2
Safety extra-low voltage	
Safe isolation	EN 50 178/VDE 0160
Protection against electric shock, basic requirements for safe isolation in electrical equipment	PELV (EN 60 204)
Limitation of harmonic line currents	SELV (EN 60 950)
	VDE 0100-410
	DIN VDE 0106-101
	According to EN 61000-3-2
Mounting position	On horizontal NS 35 DIN rail according to EN 50022
Can be mounted with spacing	With spacing of ≥ 5 cm (1.969 in.)
	0 cm (0 in.)
Degree of protection	IP20
Class of protection	II, (in closed control cabinets)
MTBF	> 500,000 h according to IEC 1709 (SN 29 500)
Housing version	Polyamide PA, color green
Weight	0.4 kg, approximately
Dimensions (W x H x D)	67.5 x 99 x 114.5 mm (2.657 x 3.898 x 4.508 in.)
Climatic Data	
Ambient temperature	Operation Storage
	-25°C to +70°C [-13°F to +158°F] (> +60°C [+140°F] derating)
	-40°C to +85°C (-40°F to +185°F)
Humidity	Up to 95% at +25°C (+77°F), no condensation
Vibration	< 15 Hz, amplitude ±2.5 mm/15 Hz - 150 Hz, 2.3 g
Shock	30 g all space directions
Pollution degree	2 (according to EN 50 178)
Climatic category	3K3 (according to EN 60 721)



Conformance With EMC Directive 89/336/EEC and Low Voltage Directive 73/23/EEC

EMC (Electromagnetic Compatibility) Noise Immunity According to EN 61000-6-2:

Test	Standard	Configuration
Electrostatic discharge (ESD)	EN 61000-4-2 ³⁾	Housing Contact discharge: Air discharge:
Electromagnetic HF field	EN 61000-4-3 ²⁾	Housing Frequency: Field strength:
Fast transients (burst)	EN 61000-4-4 ³⁾	Input: Output: Signal:
Surge current loads (surge)	EN 61000-4-5 ³⁾	Input: Output:
Conducted interference	EN 61000-4-6 ²⁾	I/O/S: Frequency: U ₀ :
Voltage dips	EN 61000-4-11 ³⁾	Input:

Requirements EN 61 000-6-2 MINI-PS-100-240AC/24DC/C2LPS

Test	Standard	Configuration
Electrostatic discharge (ESD)	EN 61000-4-2 ³⁾	> Level 3 4 kV 8 kV
Electromagnetic HF field	EN 61000-4-3 ²⁾	Level 3 80 - 2000 MHz 10 V/m
Fast transients (burst)	EN 61000-4-4 ³⁾	2 kV asymmetrical ⁵⁾ 2 kV asymmetrical ⁵⁾ 1 kV asymmetrical ⁵⁾
Surge current loads (surge)	EN 61000-4-5 ³⁾	4 kV (Level 4) 2 kV (Level 4) 0.5 kV (Level 1) 0.5 kV (Level 1) 0.5 kV (Level 1)
Conducted interference	EN 61000-4-6 ²⁾	Level 3 0.15 - 80 MHz 10 V
Voltage dips	EN 61000-4-11 ³⁾	30% reduction of the input voltage for 0.5 periods See Input Data: Mains buffering >20 ms

Noise Emission According to EN 50081-2:

Radio interference voltage	EN 55011
Radio interference emission	EN 55011

EN 55011 corresponds to CISPR11/EN 55022 corresponds to CISPR22
EN 61000 corresponds to IEC 1000

- 2) Criterion A: Normal operating characteristics within the specified limits.
3) Criterion B: Temporary adverse effects on the operating characteristics, which the device corrects automatically.

Class A ⁶⁾	EN 55011 (EN 55022) Class B ⁷⁾
Class A ⁶⁾	EN 55011 (EN 55022) Class B ⁷⁾

- 4) symmetrical: Cable to cable
5) asymmetrical: Cable to ground
6) Class A: Industrial applications
7) Class B: Industrial and domestic applications

4. Device View, Connections, and Control Elements

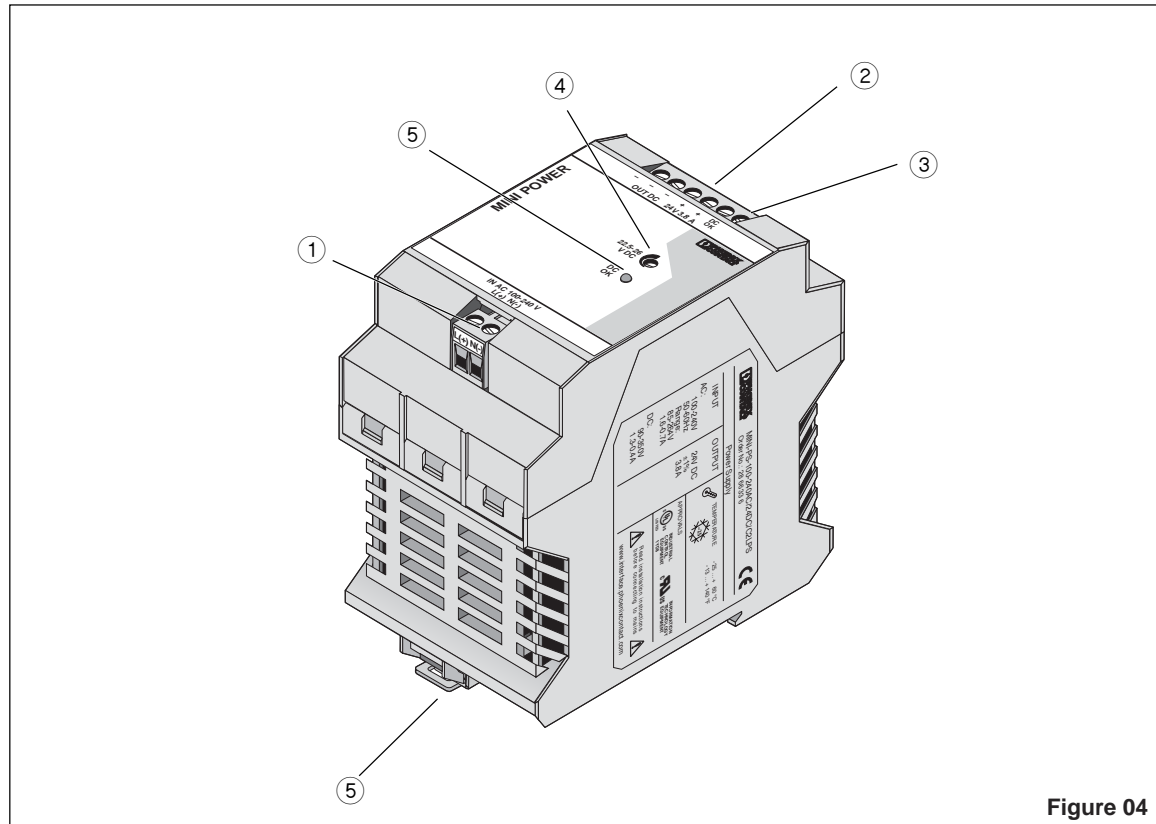


Figure 04

- ① **AC input:**
85 - 264 V AC input voltage
Frequency 45 - 65 Hz
(0.2 mm² to 2.5 mm² solid)
(0.2 mm² to 2.5 mm² stranded) (25 - 14 AWG)
Internal fuse T3.15 AL 250 V
Recommended fuse
6 A or 10 A LS/characteristic B
- ② **DC output:**
24 V DC output voltage (default),
can be set from 22.5 - 26 V DC using
potentiometer ④ (0.2 mm² to 2.5 mm² solid)
(0.2 mm² to 2.5 mm² stranded) (25 - 14 AWG)
The device is idling-proof and short-circuit-proof.
- ③ **DC OK output active**
- ④ **Potentiometer 22.5 - 26 V DC**
- ⑤ **DC OK LED**
- ⑥ **Universal latching foot for EN DIN rails**

5. Safety Notes and Warning Instructions

To ensure that the device can be operated safely and all functions can be used, please read these instructions carefully.



Caution: Never carry out work when the power is turned on, this is highly dangerous.

Installation and startup must only be carried out by qualified personnel. The relevant country-specific regulations (e.g., VDE, DIN) must also be observed.

Before startup it is particularly important to ensure that:

- The mains has been connected correctly and protection is provided against electric shock.
- The device can be switched off outside the power supply according to EN 60950 regulations (e.g., by the line protection on the primary side).
- All supply lines have sufficient fuse protection and are the correct size.
- All output cables are the correct size for the maximum device output current or have separate fuse protection.
- Sufficient convection is ensured.

MINI POWER is a built-in device. After installation the terminal area must be covered to provide sufficient protection against unauthorized access to live parts. This is ensured by installing the device in the control cabinet or distributor box.

The device contains dangerous live elements and high levels of stored energy.

6. Installation

6.1. Mounting

The power supply unit can be snapped onto all DIN rails according to EN 60715. The device must be mounted horizontally (input terminal blocks facing downwards).

Installation Dimensions



To ensure sufficient convection, a minimum spacing of 5 cm (1.969 in.) to other modules is required above and below the device.

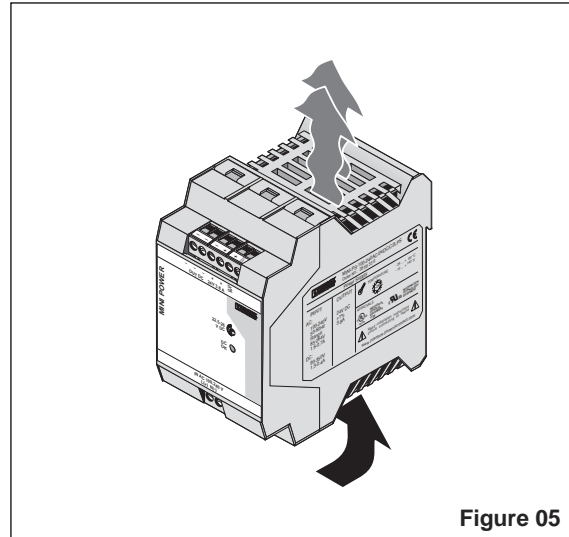


Figure 05

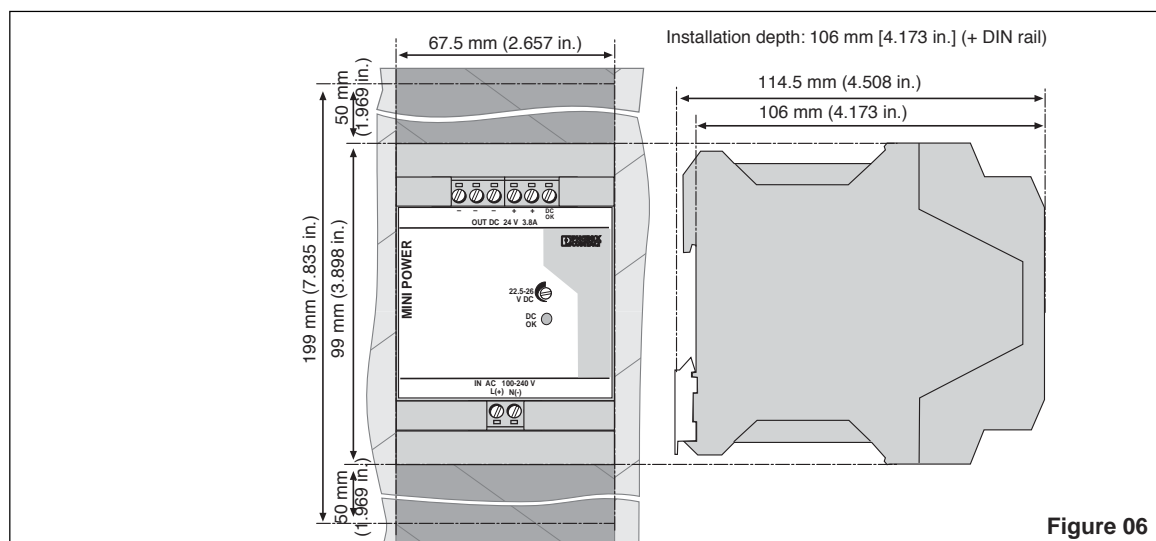


Figure 06

Mounting:

Place the module with the DIN rail guideway on the **top edge** of the DIN rail and then snap it **downwards**.

Removal:

Release the snap-on catch using a screwdriver and then detach the module from the **bottom edge** of the DIN rail.

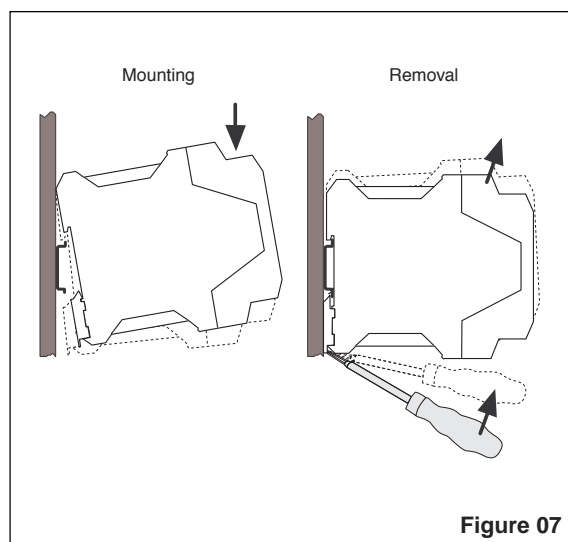


Figure 07

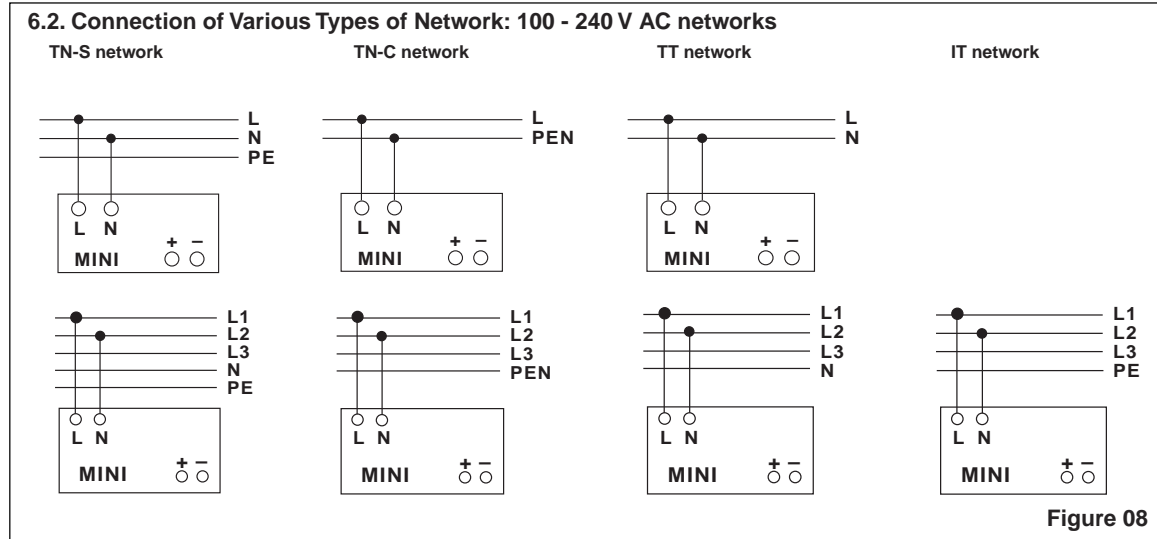


Figure 08

Connecting Cable:

The device is equipped with COMBICON connectors. This reliable user-friendly connection method enables quick device connection and visible isolation of the electrical connection, if required. **Only operate connectors when the power is switched off.**

The following cable cross sections can be connected:

	Solid [mm ²]	Stranded [mm ²]	AWG	Torque	
				[Nm]	[lb in]
① Input:	0.2 - 2.5	0.2 - 2.5	25 - 14	0.5 - 0.6	4.4 - 5.3
② Output:	0.2 - 2.5	0.2 - 2.5	25 - 14	0.5 - 0.6	4.4 - 5.3
③ Signal:	0.2 - 2.5	0.2 - 2.5	25 - 14	0.5 - 0.6	4.4 - 5.3

For reliable and safe-to-touch connections: Strip 7 mm (0.28 in.) from the connector ends.

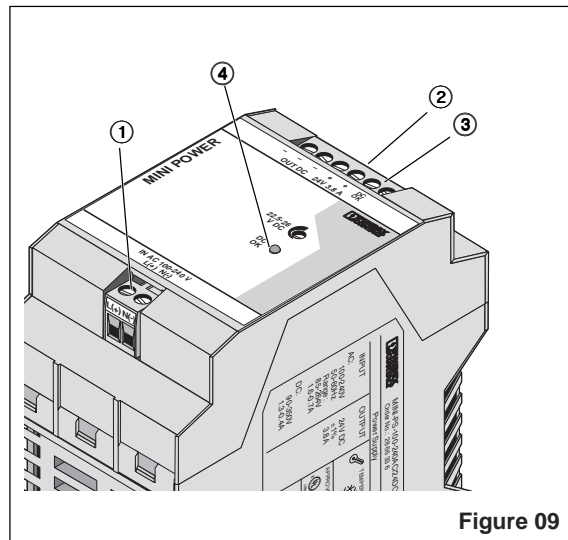
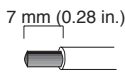


Figure 09

6.3. Input (①, Figure 9)

The 100 - 240 V AC connection is made using the L and N screw connections. The device can be connected to single-phase AC networks or to two external conductors for three-phase networks (TN, TT or IT network according to VDE 0100 T300/IEC364-3) with nominal voltages of 100 - 240 V AC.

Protecting the Primary Side

The device must be installed according to the specifications of EN 60 950. It must be possible to switch off the device using a suitable disconnecting device outside the power supply.

Note that an all-pole disconnecting device must be provided for two-phase operation using two external conductors for a three-phase network.

For this, line protection on the primary side, for example, is suitable.

Further device protection is not required, as an internal fuse is present.

Recommended Fuse:

6 A or 10 A circuit breaker, characteristic B (or equivalent).

A suitable fuse should be provided for DC applications.

If the internal fuse is blown, this is most probably due to a device fault. In this case, the device should be checked in the factory.

6.4. Output (②, Figure 9)

The power supply unit meets the requirements of NEC Class 2. The 24 V DC connection is made using the "+" and "-" screw connections on the screw connection ②. The output voltage set upon delivery is 24 V DC.

The output voltage can be adjusted from 22.5 to 26 V DC on the potentiometer ④.

Protecting the Secondary Side:

The device is electronically short-circuit-proof and idling-proof. In the event of an error, the output voltage is limited to a maximum of 35 V DC.

It should be ensured that all output cables are the correct size for the maximum output current or have separate fuse protection.

The cable cross sections in the secondary circuit should be large enough to keep the voltage drops on the cables as low as possible.

Active Signal Output (③, Figure 10)

The 24 V DC signal is between the "DC OK" and "-" connection terminal blocks and can be loaded with 20 mA maximum. This signal output indicates that the output voltage has fallen below 21.5 V DC when "active high" changes to "low".

The DC OK signal is isolated from the power output. This ensures that a separate supply does not enter from devices connected in parallel.

The 24 V DC signal can be connected directly to a logic input for evaluation.

DC OK LED

The green DC OK LED enables local function evaluation in the control cabinet.

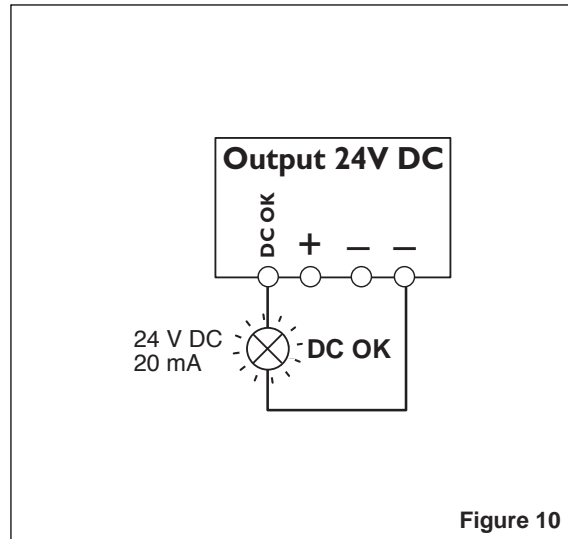


Figure 10

	Status 1	Status 2
Green "DC OK" LED ⑤	ON	OFF
Active DC OK switching output ③	U = +24 V (with reference to "-")	U = 0 V (with reference to "-")
Meaning	Normal operation of the power supply unit U _{OUT} > 21.5 V	U _{OUT} ≤ 21.5 V DC • Secondary load short circuit or overload • No mains voltage or device fault

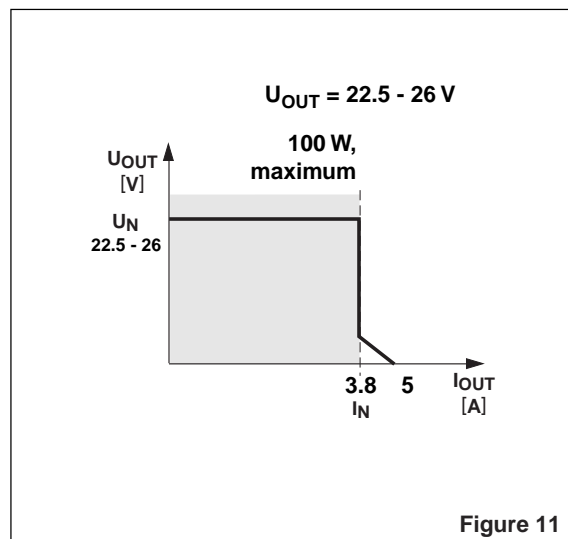


Figure 11

Connected fuses are reliably tripped. The selectivity in your system configuration is ensured at all times.

7. Installation

7.1. Output Characteristic Curve

The device can supply a nominal output current of 3.8 A up to an ambient temperature of 60°C (140°F).

In the event of heavier loads the working point demonstrates the U/I characteristic curve shown in Figure 11.

On an overload or short circuit, the entire output current I_{BOOST} is provided permanently at a reduced output voltage.

Once the overload or short circuit has been removed, the entire set secondary voltage is available again.

The U/I characteristic curve ensures that both heavy capacitive loads and devices with DC/DC converters can be supplied by MINI POWER in the input circuit without any problems.

7.2. Temperature Response

The device can supply a nominal output current of 3.8 A up to an ambient temperature of 60°C (140°F). At ambient temperatures above +60°C (+140°F), the output power must be reduced by 2.5% per Kelvin temperature rise. At ambient temperatures above +70°C (+158°F) or in the event of a thermal overload, the device reduces the output power to protect itself and returns to normal operation once it has cooled down.

7.3. Parallel Operation

Devices of the same type can be connected in parallel to increase both redundancy and power. The default setting does not have to be adjusted.

If the output voltage is adjusted, an even current distribution can be ensured by precisely setting all power supply units that are operated in parallel to the same output voltage.

To ensure symmetrical current distribution we recommend that all cable connections from the power supply unit to the DIN rail are the same length and have the same cross section.

Depending on the system, for parallel connection of more than two power supply units a protective circuit should be installed at each individual device output (e.g., decoupling diode or DC fuse). This prevents high return currents in the event of a secondary device fault.

7.4. Redundancy Operation

Redundant connections are designed for supplying systems, which place particularly high requirements on operational safety. If a fault occurs in the primary circuit of the first power supply unit, the second device automatically takes over the complete power supply without interruption, and vice versa.

For this purpose, the power supply units to be connected in parallel must be large enough that the total current requirements of all loads can be fully met by one power supply unit. External decoupling diodes are required for 100% redundancy.

7.5. Increasing Power

The output current can be increased to $n \times I_N$ where n is the number of devices connected in parallel.

Parallel connection for increasing power is used when extending existing systems. A parallel connection is recommended if the power supply unit does not cover the current consumption of the most powerful load. Otherwise, the loads should be divided over independent individual devices.

A maximum of five devices can be connected in parallel.

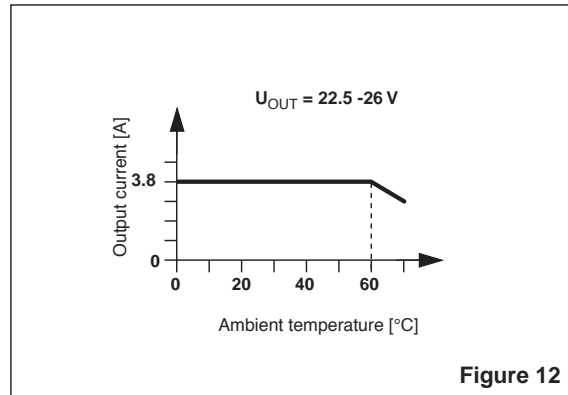


Figure 12

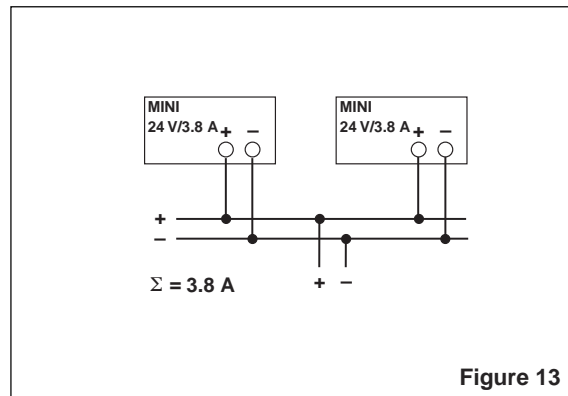


Figure 13

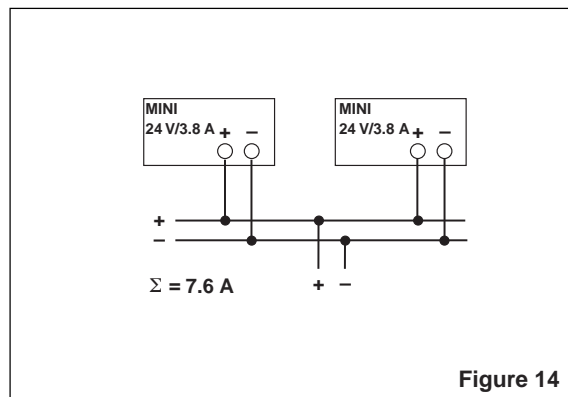


Figure 14

Компания «Life Electronics» занимается поставками электронных компонентов импортного и отечественного производства от производителей и со складов крупных дистрибьюторов Европы, Америки и Азии.

С конца 2013 года компания активно расширяет линейку поставок компонентов по направлению коаксиальный кабель, кварцевые генераторы и конденсаторы (керамические, пленочные, электролитические), за счёт заключения дистрибьюторских договоров

Мы предлагаем:

- Конкурентоспособные цены и скидки постоянным клиентам.
- Специальные условия для постоянных клиентов.
- Подбор аналогов.
- Поставку компонентов в любых объемах, удовлетворяющих вашим потребностям.
- Приемлемые сроки поставки, возможна ускоренная поставка.
- Доставку товара в любую точку России и стран СНГ.
- Комплексную поставку.
- Работу по проектам и поставку образцов.
- Формирование склада под заказчика.
- Сертификаты соответствия на поставляемую продукцию (по желанию клиента).
- Тестирование поставляемой продукции.
- Поставку компонентов, требующих военную и космическую приемку.
- Входной контроль качества.
- Наличие сертификата ISO.

В составе нашей компании организован Конструкторский отдел, призванный помогать разработчикам, и инженерам.

Конструкторский отдел помогает осуществить:

- Регистрацию проекта у производителя компонентов.
- Техническую поддержку проекта.
- Защиту от снятия компонента с производства.
- Оценку стоимости проекта по компонентам.
- Изготовление тестовой платы монтаж и пусконаладочные работы.



Тел: +7 (812) 336 43 04 (многоканальный)

Email: org@lifeelectronics.ru