

## Complementary power Darlington transistors

### Features

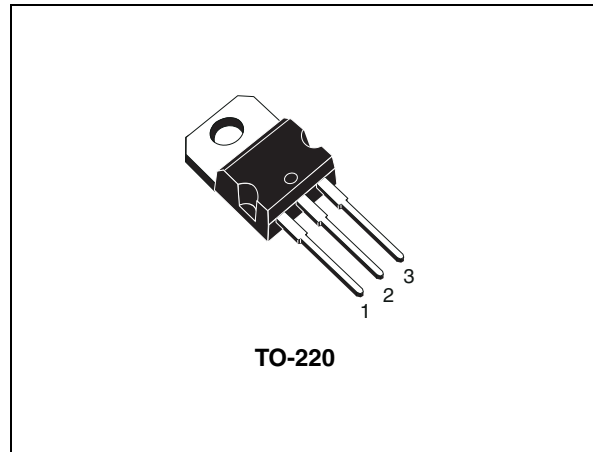
- Good  $h_{FE}$  linearity
- High  $f_T$  frequency
- Monolithic Darlington configuration with integrated antiparallel collector-emitter diode

### Application

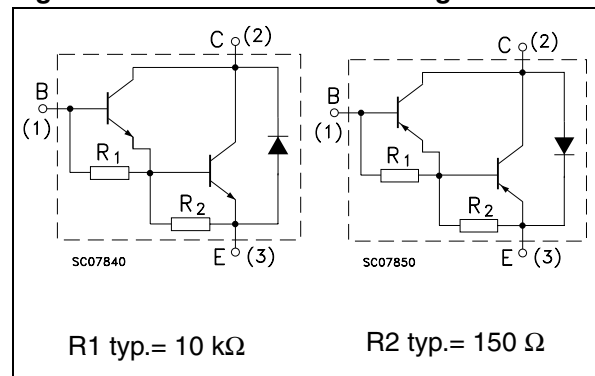
- Audio amplifiers
- Linear and switching industrial equipment

### Description

The devices are manufactured in planar base island technology with monolithic Darlington configuration.



**Figure 1. Internal schematic diagram**



**Table 1. Device summary**

| Order code | Marking | Package | Packaging |
|------------|---------|---------|-----------|
| BDX53B     | BDX53B  | TO-220  | Tube      |
| BDX53C     | BDX53C  |         |           |
| BDX54B     | BDX54B  |         |           |
| BDX54C     | BDX54C  |         |           |

# 1 Electrical ratings

**Table 2. Absolute maximum ratings**

| Symbol    | Parameter                                     | Value      |        |                  | Unit |
|-----------|---|------------|--------|------------------|------|
|           |   | NPN        | BDX53B | BDX53C           |      |
|           |   | PNP        | BDX54B | BDX54C           |      |
| $V_{CBO}$ | Collector-base voltage ( $I_E = 0$ )          | 80         | 100    | V                |      |
| $V_{CEO}$ | Collector-emitter voltage ( $I_B = 0$ )       | 80         | 100    | V                |      |
| $V_{EBO}$ | Emitter-base voltage ( $I_C = 0$ )            | 5          |        | V                |      |
| $I_C$     | Collector current                             | 8          |        | A                |      |
| $I_{CM}$  | Collector peak current (repetitive)           | 12         |        | A                |      |
| $I_B$     | Base current                                  | 0.2        |        | mA               |      |
| $P_{TOT}$ | Total dissipation at $T_C = 25^\circ\text{C}$ | 60         |        | W                |      |
| $T_{stg}$ | Storage temperature                           | -65 to 150 |        | $^\circ\text{C}$ |      |
| $T_J$     | Max. operating junction temperature           | 150        |        | $^\circ\text{C}$ |      |

*Note:* For PNP types voltage and current values are negative.

## 2 Electrical characteristics

( $T_{CASE}=25^{\circ}C$  unless otherwise specified)

**Table 3. Electrical characteristics**

| Symbol              | Parameter  | Test conditions   | Min.      | Typ. | Max. | Unit   |
|---------------------|--|---|-----------|------|------|--------|
| $V_{CE(sus)}^{(1)}$ | Collector-emitter sustaining voltage ( $I_B = 0$ ) | $I_C = 100\text{ mA}$<br>for BDX53B - BDX54B<br>for BDX53C - BDX54C | 80<br>100 |      |      | V<br>V |
| $I_{CBO}$           | Collector cut-off current ( $I_E = 0$ )            | $V_{CB} = 80\text{ V}$<br>for BDX53B - BDX54B                       |           |      | 0.2  | mA     |
|                     |  | $V_{CB} = 100\text{ V}$<br>for BDX53C - BDX54C                      |           |      | 0.2  | mA     |
| $I_{CEO}$           | Collector cut-off current ( $I_B = 0$ )            | $V_{CE} = 40\text{ V}$<br>for BDX53B - BDX54B                       |           |      | 0.5  | mA     |
|                     |  | $V_{CE} = 50\text{ V}$<br>for BDX53C - BDX54C                       |           |      | 0.5  | mA     |
| $I_{EBO}$           | Emitter cut-off current ( $I_C = 0$ )              | $V_{EB} = 5\text{ V}$   |           |      | 2    | mA     |
| $V_{CE(sat)}^{(1)}$ | Collector-emitter saturation voltage               | $I_C = 3\text{ A}; I_B = 12\text{ mA}$                              |           |      | 2    | V      |
| $V_{BE(sat)}^{(1)}$ | Base-emitter saturation voltage                    | $I_C = 3\text{ A}; I_B = 12\text{ mA}$                              |           |      | 2.5  | V      |
| $h_{FE}^{(1)}$      | DC current gain                                    | $I_C = 3\text{ A}; V_{CE} = 3\text{ V}$                             | 750       |      |      |        |
| $V_F^{(1)}$         | Diode forward voltage                              | $I_F = 3\text{ A};$   |           | 1.8  | 2.5  | V      |
|                     |  | $I_F = 8\text{ A};$   |           | 2.5  |      | V      |

1. Pulsed: pulse duration = 300  $\mu$ s, duty cycle 1.5%

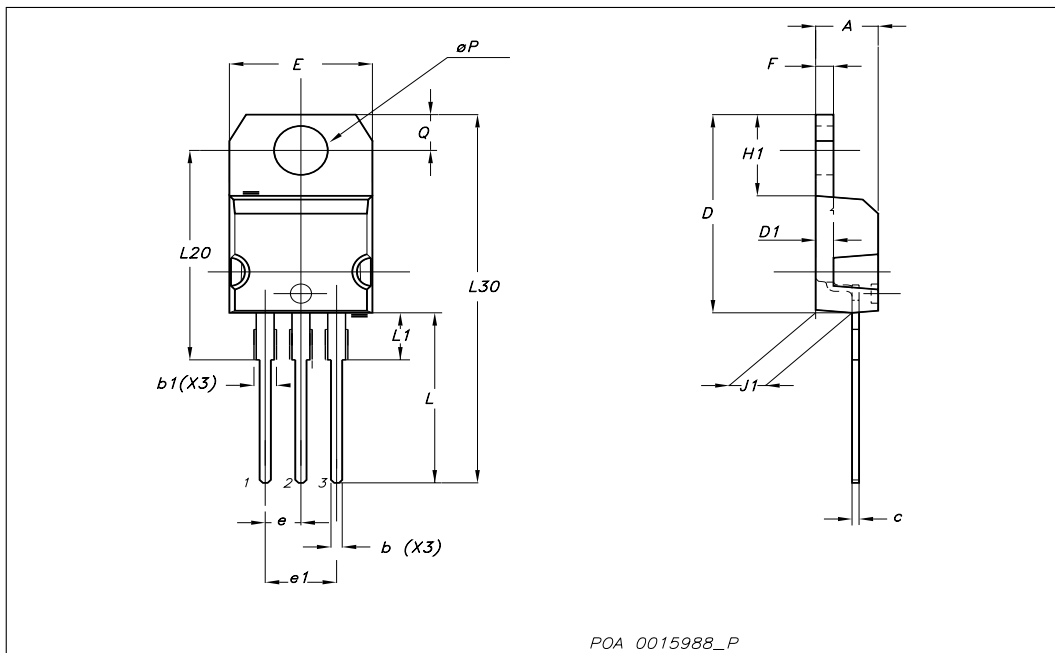
**Note:** For PNP types voltage and current values are negative.

### 3 Package mechanical data

In order to meet environmental requirements, ST offers these devices in ECOPACK® packages. These packages have a Lead-free second level interconnect. The category of second level interconnect is marked on the package and on the inner box label, in compliance with JEDEC Standard JESD97. The maximum ratings related to soldering conditions are also marked on the inner box label. ECOPACK is an ST trademark. ECOPACK specifications are available at: [www.st.com](http://www.st.com)

TO-220 mechanical data

| Dim | mm    |       |       | inch  |       |       |
|-----|-------|-------|-------|-------|-------|-------|
|     | Min   | Typ   | Max   | Min   | Typ   | Max   |
| A   | 4.40  |       | 4.60  | 0.173 |       | 0.181 |
| b   | 0.61  |       | 0.88  | 0.024 |       | 0.034 |
| b1  | 1.14  |       | 1.70  | 0.044 |       | 0.066 |
| c   | 0.49  |       | 0.70  | 0.019 |       | 0.027 |
| D   | 15.25 |       | 15.75 | 0.6   |       | 0.62  |
| D1  |       | 1.27  |       |       | 0.050 |       |
| E   | 10    |       | 10.40 | 0.393 |       | 0.409 |
| e   | 2.40  |       | 2.70  | 0.094 |       | 0.106 |
| e1  | 4.95  |       | 5.15  | 0.194 |       | 0.202 |
| F   | 1.23  |       | 1.32  | 0.048 |       | 0.051 |
| H1  | 6.20  |       | 6.60  | 0.244 |       | 0.256 |
| J1  | 2.40  |       | 2.72  | 0.094 |       | 0.107 |
| L   | 13    |       | 14    | 0.511 |       | 0.551 |
| L1  | 3.50  |       | 3.93  | 0.137 |       | 0.154 |
| L20 |       | 16.40 |       |       | 0.645 |       |
| L30 |       | 28.90 |       |       | 1.137 |       |
| ∅P  | 3.75  |       | 3.85  | 0.147 |       | 0.151 |
| Q   | 2.65  |       | 2.95  | 0.104 |       | 0.116 |



## 4 Revision history

**Table 4. Document revision history**

| Date        | Revision | Changes  |
|-------------|----------|--|
| 09-Sep-2004 | 3        |  |
| 23-Oct-2007 | 4        | Technology change from epibase to planar (PCN APM-PWR/07/2417 and APM-PWR/07/2615) |

**Please Read Carefully:**

Information in this document is provided solely in connection with ST products. STMicroelectronics NV and its subsidiaries ("ST") reserve the right to make changes, corrections, modifications or improvements, to this document, and the products and services described herein at any time, without notice.

All ST products are sold pursuant to ST's terms and conditions of sale.

Purchasers are solely responsible for the choice, selection and use of the ST products and services described herein, and ST assumes no liability whatsoever relating to the choice, selection or use of the ST products and services described herein.

No license, express or implied, by estoppel or otherwise, to any intellectual property rights is granted under this document. If any part of this document refers to any third party products or services it shall not be deemed a license grant by ST for the use of such third party products or services, or any intellectual property contained therein or considered as a warranty covering the use in any manner whatsoever of such third party products or services or any intellectual property contained therein.

**UNLESS OTHERWISE SET FORTH IN ST'S TERMS AND CONDITIONS OF SALE ST DISCLAIMS ANY EXPRESS OR IMPLIED WARRANTY WITH RESPECT TO THE USE AND/OR SALE OF ST PRODUCTS INCLUDING WITHOUT LIMITATION IMPLIED WARRANTIES OF MERCHANTABILITY, FITNESS FOR A PARTICULAR PURPOSE (AND THEIR EQUIVALENTS UNDER THE LAWS OF ANY JURISDICTION), OR INFRINGEMENT OF ANY PATENT, COPYRIGHT OR OTHER INTELLECTUAL PROPERTY RIGHT.**

**UNLESS EXPRESSLY APPROVED IN WRITING BY AN AUTHORIZED ST REPRESENTATIVE, ST PRODUCTS ARE NOT RECOMMENDED, AUTHORIZED OR WARRANTED FOR USE IN MILITARY, AIR CRAFT, SPACE, LIFE SAVING, OR LIFE SUSTAINING APPLICATIONS, NOR IN PRODUCTS OR SYSTEMS WHERE FAILURE OR MALFUNCTION MAY RESULT IN PERSONAL INJURY, DEATH, OR SEVERE PROPERTY OR ENVIRONMENTAL DAMAGE. ST PRODUCTS WHICH ARE NOT SPECIFIED AS "AUTOMOTIVE GRADE" MAY ONLY BE USED IN AUTOMOTIVE APPLICATIONS AT USER'S OWN RISK.**

Resale of ST products with provisions different from the statements and/or technical features set forth in this document shall immediately void any warranty granted by ST for the ST product or service described herein and shall not create or extend in any manner whatsoever, any liability of ST.

ST and the ST logo are trademarks or registered trademarks of ST in various countries.

Information in this document supersedes and replaces all information previously supplied.

The ST logo is a registered trademark of STMicroelectronics. All other names are the property of their respective owners.

© 2007 STMicroelectronics - All rights reserved

STMicroelectronics group of companies

Australia - Belgium - Brazil - Canada - China - Czech Republic - Finland - France - Germany - Hong Kong - India - Israel - Italy - Japan - Malaysia - Malta - Morocco - Singapore - Spain - Sweden - Switzerland - United Kingdom - United States of America

[www.st.com](http://www.st.com)

Компания «Life Electronics» занимается поставками электронных компонентов импортного и отечественного производства от производителей и со складов крупных дистрибьюторов Европы, Америки и Азии.

С конца 2013 года компания активно расширяет линейку поставок компонентов по направлению коаксиальный кабель, кварцевые генераторы и конденсаторы (керамические, пленочные, электролитические), за счёт заключения дистрибьюторских договоров

Мы предлагаем:

- Конкуренспособные цены и скидки постоянным клиентам.
- Специальные условия для постоянных клиентов.
- Подбор аналогов.
- Поставку компонентов в любых объемах, удовлетворяющих вашим потребностям.
- Приемлемые сроки поставки, возможна ускоренная поставка.
- Доставку товара в любую точку России и стран СНГ.
- Комплексную поставку.
- Работу по проектам и поставку образцов.
- Формирование склада под заказчика.
- Сертификаты соответствия на поставляемую продукцию (по желанию клиента).
- Тестирование поставляемой продукции.
- Поставку компонентов, требующих военную и космическую приемку.
- Входной контроль качества.
- Наличие сертификата ISO.

В составе нашей компании организован Конструкторский отдел, призванный помогать разработчикам, и инженерам.

Конструкторский отдел помогает осуществить:

- Регистрацию проекта у производителя компонентов.
- Техническую поддержку проекта.
- Защиту от снятия компонента с производства.
- Оценку стоимости проекта по компонентам.
- Изготовление тестовой платы монтаж и пусконаладочные работы.



Тел: +7 (812) 336 43 04 (многоканальный)  
Email: [org@lifeelectronics.ru](mailto:org@lifeelectronics.ru)