



MICROCHIP

MCP19035
600 kHz High-Voltage
Synchronous Buck Controller
Reference Design
User's Guide

Note the following details of the code protection feature on Microchip devices:

- Microchip products meet the specification contained in their particular Microchip Data Sheet.
- Microchip believes that its family of products is one of the most secure families of its kind on the market today, when used in the intended manner and under normal conditions.
- There are dishonest and possibly illegal methods used to breach the code protection feature. All of these methods, to our knowledge, require using the Microchip products in a manner outside the operating specifications contained in Microchip's Data Sheets. Most likely, the person doing so is engaged in theft of intellectual property.
- Microchip is willing to work with the customer who is concerned about the integrity of their code.
- Neither Microchip nor any other semiconductor manufacturer can guarantee the security of their code. Code protection does not mean that we are guaranteeing the product as "unbreakable."

Code protection is constantly evolving. We at Microchip are committed to continuously improving the code protection features of our products. Attempts to break Microchip's code protection feature may be a violation of the Digital Millennium Copyright Act. If such acts allow unauthorized access to your software or other copyrighted work, you may have a right to sue for relief under that Act.

Information contained in this publication regarding device applications and the like is provided only for your convenience and may be superseded by updates. It is your responsibility to ensure that your application meets with your specifications. MICROCHIP MAKES NO REPRESENTATIONS OR WARRANTIES OF ANY KIND WHETHER EXPRESS OR IMPLIED, WRITTEN OR ORAL, STATUTORY OR OTHERWISE, RELATED TO THE INFORMATION, INCLUDING BUT NOT LIMITED TO ITS CONDITION, QUALITY, PERFORMANCE, MERCHANTABILITY OR FITNESS FOR PURPOSE. Microchip disclaims all liability arising from this information and its use. Use of Microchip devices in life support and/or safety applications is entirely at the buyer's risk, and the buyer agrees to defend, indemnify and hold harmless Microchip from any and all damages, claims, suits, or expenses resulting from such use. No licenses are conveyed, implicitly or otherwise, under any Microchip intellectual property rights.

Trademarks

The Microchip name and logo, the Microchip logo, dsPIC, FlashFlex, flexPWR, JukeBlox, KEELOQ, KEELOQ logo, Kleer, LANCheck, MediaLB, MOST, MOST logo, MPLAB, OptoLyzer, PIC, PICSTART, PIC³² logo, RightTouch, SpyNIC, SST, SST Logo, SuperFlash and UNI/O are registered trademarks of Microchip Technology Incorporated in the U.S.A. and other countries.

The Embedded Control Solutions Company and mTouch are registered trademarks of Microchip Technology Incorporated in the U.S.A.

Analog-for-the-Digital Age, BodyCom, chipKIT, chipKIT logo, CodeGuard, dsPICDEM, dsPICDEM.net, ECAN, In-Circuit Serial Programming, ICSP, Inter-Chip Connectivity, KleerNet, KleerNet logo, MiWi, MPASM, MPF, MPLAB Certified logo, MPLIB, MPLINK, MultiTRAK, NetDetach, Omniscient Code Generation, PICDEM, PICDEM.net, PICkit, PICtail, RightTouch logo, REAL ICE, SQI, Serial Quad I/O, Total Endurance, TSHARC, USBCheck, VariSense, ViewSpan, WiperLock, Wireless DNA, and ZENA are trademarks of Microchip Technology Incorporated in the U.S.A. and other countries.

SQTP is a service mark of Microchip Technology Incorporated in the U.S.A.

Silicon Storage Technology is a registered trademark of Microchip Technology Inc. in other countries.

GestIC is a registered trademarks of Microchip Technology Germany II GmbH & Co. KG, a subsidiary of Microchip Technology Inc., in other countries.

All other trademarks mentioned herein are property of their respective companies.

© 2014, Microchip Technology Incorporated, Printed in the U.S.A., All Rights Reserved.

ISBN: 978-1-63276-379-2

QUALITY MANAGEMENT SYSTEM
CERTIFIED BY DNV
== ISO/TS 16949 ==

Microchip received ISO/TS-16949:2009 certification for its worldwide headquarters, design and wafer fabrication facilities in Chandler and Tempe, Arizona; Gresham, Oregon and design centers in California and India. The Company's quality system processes and procedures are for its PIC[®] MCUs and dsPIC[®] DSCs, KEELOQ[®] code hopping devices, Serial EEPROMs, microperipherals, nonvolatile memory and analog products. In addition, Microchip's quality system for the design and manufacture of development systems is ISO 9001:2000 certified.

**Object of Declaration: MCP19035 600 kHz High-Voltage Synchronous Buck Controller
Reference Design User's Guide**

EU Declaration of Conformity

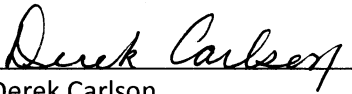
This declaration of conformity is issued by the manufacturer.

The development/evaluation tool is designed to be used for research and development in a laboratory environment. This development/evaluation tool is not a Finished Appliance, nor is it intended for incorporation into Finished Appliances that are made commercially available as single functional units to end users under EU EMC Directive 2004/108/EC and as supported by the European Commission's Guide for the EMC Directive 2004/108/EC (8th February 2010).

This development/evaluation tool complies with EU RoHS2 Directive 2011/65/EU.

For information regarding the exclusive, limited warranties applicable to Microchip products, please see Microchip's standard terms and conditions of sale, which are printed on our sales documentation and available at www.microchip.com.

Signed for and on behalf of Microchip Technology Inc. at Chandler, Arizona, USA



Derek Carlson

VP Development Tools

16-July-2013

Date



MCP19035 600 kHz HIGH-VOLTAGE SYNCHRONOUS BUCK CONTROLLER REFERENCE DESIGN USER'S GUIDE

Table of Contents

Preface	5
Introduction.....	5
Document Layout	5
Conventions Used in this Guide	6
Recommended Reading.....	7
The Microchip Web Site	7
Customer Support	7
Document Revision History	7
Chapter 1. Product Overview	
1.1 Introduction	8
1.2 MCP19035 Short Overview	8
1.3 What Is the MCP19035 600 kHz High-Voltage Synchronous Buck Controller Reference Design?	9
1.4 What the MCP19035 600 kHz High-Voltage Synchronous Buck Controller Reference Design Kit Contains	9
Chapter 2. Installation and Operation	
2.1 Introduction	10
2.2 Getting Started	10
Appendix A. Schematic and Layouts	
A.1 Introduction	13
A.2 Board – Schematic	14
A.3 Board – Top Silk	15
A.4 Board – Top Silk And Copper	16
A.5 Board – Bottom Copper	17
A.6 Board – Bottom Copper and Silk	18
Appendix B. Bill of Materials (BOM)	
Appendix C. Typical Performance Data, Curves and Waveforms	
C.1 Introduction	20
Worldwide Sales and Service	24



MCP19035 600 kHz HIGH-VOLTAGE SYNCHRONOUS BUCK CONTROLLER REFERENCE DESIGN USER'S GUIDE

Preface

NOTICE TO CUSTOMERS

All documentation becomes dated, and this manual is no exception. Microchip tools and documentation are constantly evolving to meet customer needs, so some actual dialogs and/or tool descriptions may differ from those in this document. Please refer to our web site (www.microchip.com) to obtain the latest documentation available.

Documents are identified with a "DS" number. This number is located on the bottom of each page, in front of the page number. The numbering convention for the DS number is "DSXXXXXXXXA", where "XXXXXXXX" is the document number and "A" is the revision level of the document.

For the most up-to-date information on development tools, see the MPLAB® IDE online help. Select the Help menu, and then Topics to open a list of available online help files.

INTRODUCTION

This chapter contains general information that will be useful to know before using the MCP19035 600 kHz High-Voltage Synchronous Buck Controller Reference Design. Items discussed in this chapter include:

- Document Layout
- Conventions Used in this Guide
- Recommended Reading
- The Microchip Web Site
- Customer Support
- Document Revision History

DOCUMENT LAYOUT

This document describes how to use the MCP19035 600 kHz High-Voltage Synchronous Buck Controller Reference Design as a development tool to emulate and debug firmware on a target board. The manual layout is as follows:

- **Chapter 1. "Product Overview"** – Important information about the MCP19035 600 kHz High-Voltage Synchronous Buck Controller Reference Design.
- **Chapter 2. "Installation and Operation"** – Includes instructions on how to get started with the MCP19035 600 kHz High-Voltage Synchronous Buck Controller Reference Design and a description of the user's guide.
- **Appendix A. "Schematic and Layouts"** – Shows the schematic and layout diagrams for the MCP19035 600 kHz High-Voltage Synchronous Buck Controller Reference Design.
- **Appendix B. "Bill of Materials (BOM)"** – Lists the parts used to build the MCP19035 600 kHz High-Voltage Synchronous Buck Controller Reference Design.
- **Appendix C. "Typical Performance Data, Curves and Waveforms"** – Lists the typical performance data, curves and waveforms.

CONVENTIONS USED IN THIS GUIDE

This manual uses the following documentation conventions:

DOCUMENTATION CONVENTIONS

Description	Represents	Examples
Arial font:		
Italic characters	Referenced books	<i>MPLAB[®] IDE User's Guide</i>
	Emphasized text	...is the <i>only</i> compiler...
Initial caps	A window	the Output window
	A dialog	the Settings dialog
	A menu selection	select Enable Programmer
Quotes	A field name in a window or dialog	"Save project before build"
Underlined, italic text with right angle bracket	A menu path	<u><i>File>Save</i></u>
Bold characters	A dialog button	Click OK
	A tab	Click the Power tab
N'Rnnnn	A number in verilog format, where N is the total number of digits, R is the radix and n is a digit.	4'b0010, 2'hF1
Text in angle brackets < >	A key on the keyboard	Press <Enter>, <F1>
Courier New font:		
Plain Courier New	Sample source code	#define START
	Filenames	autoexec.bat
	File paths	c:\mcc18\h
	Keywords	_asm, _endasm, static
	Command-line options	-Opa+, -Opa-
	Bit values	0, 1
	Constants	0xFF, 'A'
Italic Courier New	A variable argument	<i>file.o</i> , where <i>file</i> can be any valid filename
Square brackets []	Optional arguments	mcc18 [options] <i>file</i> [options]
Curly brackets and pipe character: { }	Choice of mutually exclusive arguments; an OR selection	errorlevel {0 1}
Ellipses...	Replaces repeated text	var_name [, var_name...]
	Represents code supplied by user	void main (void) { ... }

RECOMMENDED READING

This user's guide describes how to use the MCP19035 600 kHz High-Voltage Synchronous Buck Controller Reference Design. Other useful documents are listed below. The following Microchip documents are available and recommended as supplemental reference resources.

- **MCP19035 Data Sheet – “High-Speed Synchronous Buck Controller” (DS22326)**
- **AN1452 – “Using the MCP19035 Synchronous Buck Converter Design Tool” (DS01452)**
- **MCP19035 Excel-based Design Analyzer**

THE MICROCHIP WEB SITE

Microchip provides online support via our web site at www.microchip.com. This web site is used as a means to make files and information easily available to customers. Accessible by using your favorite Internet browser, the web site contains the following information:

- **Product Support** – Data sheets and errata, application notes and sample programs, design resources, user's guides and hardware support documents, latest software releases and archived software
- **General Technical Support** – Frequently Asked Questions (FAQs), technical support requests, online discussion groups, Microchip consultant program member listing
- **Business of Microchip** – Product selector and ordering guides, latest Microchip press releases, listing of seminars and events, listings of Microchip sales offices, distributors and factory representatives

CUSTOMER SUPPORT

Users of Microchip products can receive assistance through several channels:

- Distributor or Representative
- Local Sales Office
- Field Application Engineer (FAE)
- Technical Support

Customers should contact their distributor, representative or field application engineer (FAE) for support. Local sales offices are also available to help customers. A listing of sales offices and locations is included in the back of this document.

Technical support is available through the web site at:
<http://www.microchip.com/support>.

DOCUMENT REVISION HISTORY

Revision A (July 2014)

- Initial Release of this Document.



MCP19035 600 kHz HIGH-VOLTAGE SYNCHRONOUS BUCK CONTROLLER REFERENCE DESIGN USER'S GUIDE

Chapter 1. Product Overview

1.1 INTRODUCTION

This chapter provides an overview of the MCP19035 600 kHz High-Voltage Synchronous Buck Controller Reference Design and covers the following topics:

- MCP19035 Short Overview
- What Is the MCP19035 600 kHz High-Voltage Synchronous Buck Controller Reference Design?
- What the MCP19035 600 kHz High-Voltage Synchronous Buck Controller Reference Design Kit Contains

1.2 MCP19035 SHORT OVERVIEW

The MCP19035 is a highly-featured, highly-integrated, synchronous buck controller in a space-saving 10-pin DFN 3x3 package that operates from input voltage sources up to 30V. Integrated features include high and low-side MOSFET drivers, fixed-frequency voltage mode control, internal oscillator and reference voltage generator, overcurrent protection circuit for both sides, Power Good circuit and overtemperature protection. A minimal number of external components are necessary to develop a complete, high-performance Synchronous Buck Converter power supply.

The MCP19035 Synchronous Buck Controller is intended to be used for applications requiring medium to high-output currents (up to 20A) and input voltages up to 30V.

Typical applications includes:

- Medium currents Point-of-Load converters
- FPGA/DSP power supplies
- USB power ports
- Digital Set-Top boxes
- Industrial 24V rail converters
- High-power LED drivers

The internal linear voltage regulator (LDO) allows low current loads (i.e., PIC[®] microcontrollers) to be powered directly from the controller without any additional components.

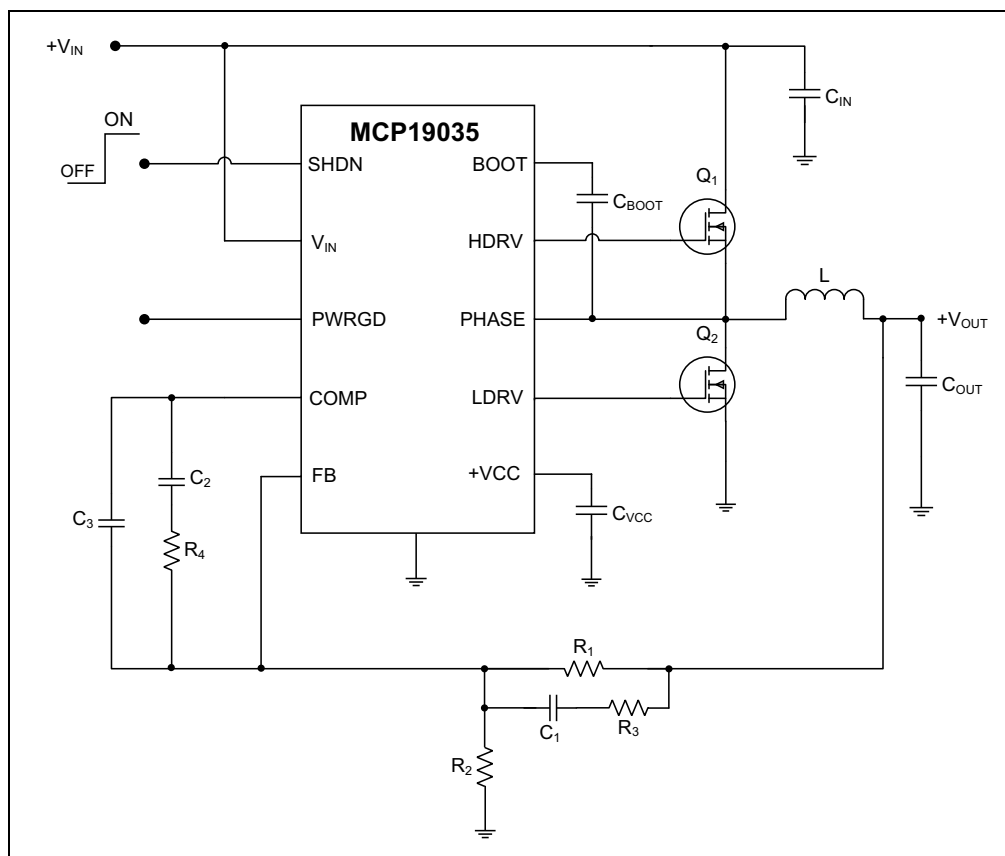


FIGURE 1-1: MCP19035 – Typical Application.

1.3 WHAT IS THE MCP19035 600 kHz HIGH-VOLTAGE SYNCHRONOUS BUCK CONTROLLER REFERENCE DESIGN?

The MCP19035 600 kHz Synchronous Buck Converter Controller is a compact, highly efficient, step-down voltage converter that will convert the input voltage rail (typically 24V) to 5V regulated output voltage. The maximum output current for this step-down converter is 5A. The board demonstrates the capabilities of the MCP19035 600 kHz Synchronous Buck Converter Controller in a typical high-voltage input step-down application. Test points for various signals are provided for measuring different parameters of the converter. The reference design can be modified to support output voltages from 3.3V to 5V by changing a single resistor.

1.4 WHAT THE MCP19035 600 kHz HIGH-VOLTAGE SYNCHRONOUS BUCK CONTROLLER REFERENCE DESIGN KIT CONTAINS

The MCP19035 600 kHz High-Voltage Synchronous Buck Controller Reference Design kit includes:

- MCP19035 600 kHz High-Voltage Synchronous Buck Controller Reference Design (ARD00514)
- Important Information Sheet



MCP19035 600 kHz HIGH-VOLTAGE SYNCHRONOUS BUCK CONTROLLER REFERENCE DESIGN USER'S GUIDE

Chapter 2. Installation and Operation

2.1 INTRODUCTION

The MCP19035 600 kHz High-Voltage Synchronous Buck Controller Reference Design was developed to provide a compact, low-cost and highly efficient step-down conversion for low to medium output currents.

2.1.1 MCP19035 600 kHz High-Voltage Synchronous Buck Controller Reference Design Features

The MCP19035 600 kHz High-Voltage Synchronous Buck Controller Reference Design has the following key features:

- Input Voltage Range: 8V to 26V
- Output Voltage: 5V (can be adjusted by changing one resistor between 3.3V and 5V)
- Maximum output current: 5A
- 93% typical efficiency at 5V/5A output and 24V input
- 600 kHz fixed switching frequency
- Overcurrent protection for high and low-side MOSFETs
- Power Good (PGOOD) output for monitoring the output voltage quality
- Shutdown input for placing the converter in low-power Standby mode
- Undervoltage Lockout (UVLO) with 4.5V and 3.9V typical thresholds

2.2 GETTING STARTED

The MCP19035 600 kHz High-Voltage Synchronous Buck Controller Reference Design is fully assembled and tested to evaluate and demonstrate the MCP19035 capabilities.

2.2.1 Instruments and Tools Required

- Adjustable DC power supply with 0V-30V/5A_{DC} range output capability
- Electronic load with at least 5A current capability and load stepping capability
- Digital oscilloscope with a minimum bandwidth of 50 MHz
- Digital voltmeter/ammeter
- Optionally, a network analyzer/Bode plot analyzer for loop analysis
- Wires for connections; these wires must sustain high currents (5A for the connection between adjustable DC power supply and board, 5A for the connection between board and the electronic load)

2.2.2 Setup Procedure

To power up the MCP19035 600 kHz High-Voltage Synchronous Buck Controller Reference Design, the following steps must be completed:

1. Connect the electronic load to J2 connector of the reference design; the “positive” (+) and “negative” (-) connector pins are marked on the board silk-screen.
2. Connect the adjustable DC power supply to J1 connector of the reference design; the “positive” (+) and “negative” (-) connector pins are marked on the board silkscreen.
3. The DC voltage supplied by the adjustable DC power supply must be 24V.

2.2.3 Board Testing

The typical testing setup is depicted in [Figure 2-1](#). [Table 2-1](#) shows all the available test points on the board.

The user can connect various instruments at the listed test points to evaluate the parameters of the converter. The typical performance data, curves and waveforms are presented in [Appendix C. “Typical Performance Data, Curves and Waveforms”](#).

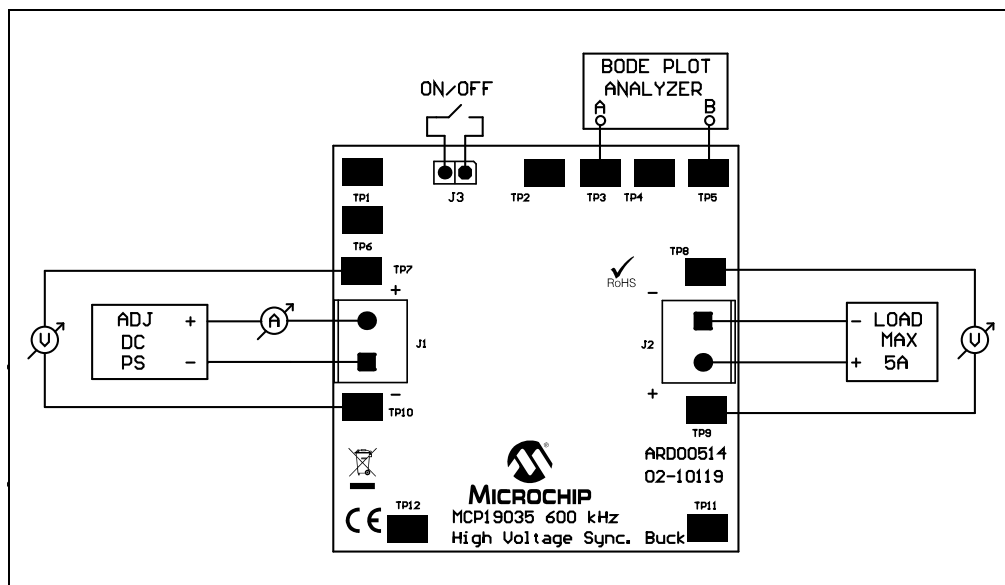


FIGURE 2-1: Typical Test Setup.

TABLE 2-1: TEST POINTS DESCRIPTION

Test Point	Label	Description
TP2, TP4, TP6, TP8, TP10, TP11, TP12	GND	Power GND
TP7	V_{IN}	Input voltage
TP1	PGOOD	Power Good output
TP9	V_{OUT}	Output voltage
TP3, TP5	CH A, CH B	Signal injection points for loop measurement

2.2.4 Adjusting the Output Voltage

The output voltage can be modified by changing the value of R12 from the feedback divider. The output voltage is set according to [Equation 2-1](#).

EQUATION 2-1: EQUATION OUTPUT VOLTAGE

$$V_{OUT} = V_{REF} \times \frac{R10 + R12}{R12}$$

Where:

$$V_{REF} = 0.6V$$

$$R10 = 20\text{ k}\Omega$$

Do not modify the value of the R10 resistor (20 kΩ) because this will affect the loop compensation of the system.

Some parameters like efficiency, the overcurrent protection thresholds and the input and output voltage ripples can be affected by the modification of the output voltage. Do not exceed 6V for the output voltage or permanent damage of the board can occur.

[Table 2-2](#) shows the standard values of R12 resistor for some usual output voltages.

TABLE 2-2: OUTPUT VOLTAGE VERSUS R12 VALUE

V _{OUT} (V)	R12(kΩ)
3.3	4.42
5	2.74



MCP19035 600 kHz HIGH-VOLTAGE SYNCHRONOUS BUCK CONTROLLER REFERENCE DESIGN USER'S GUIDE

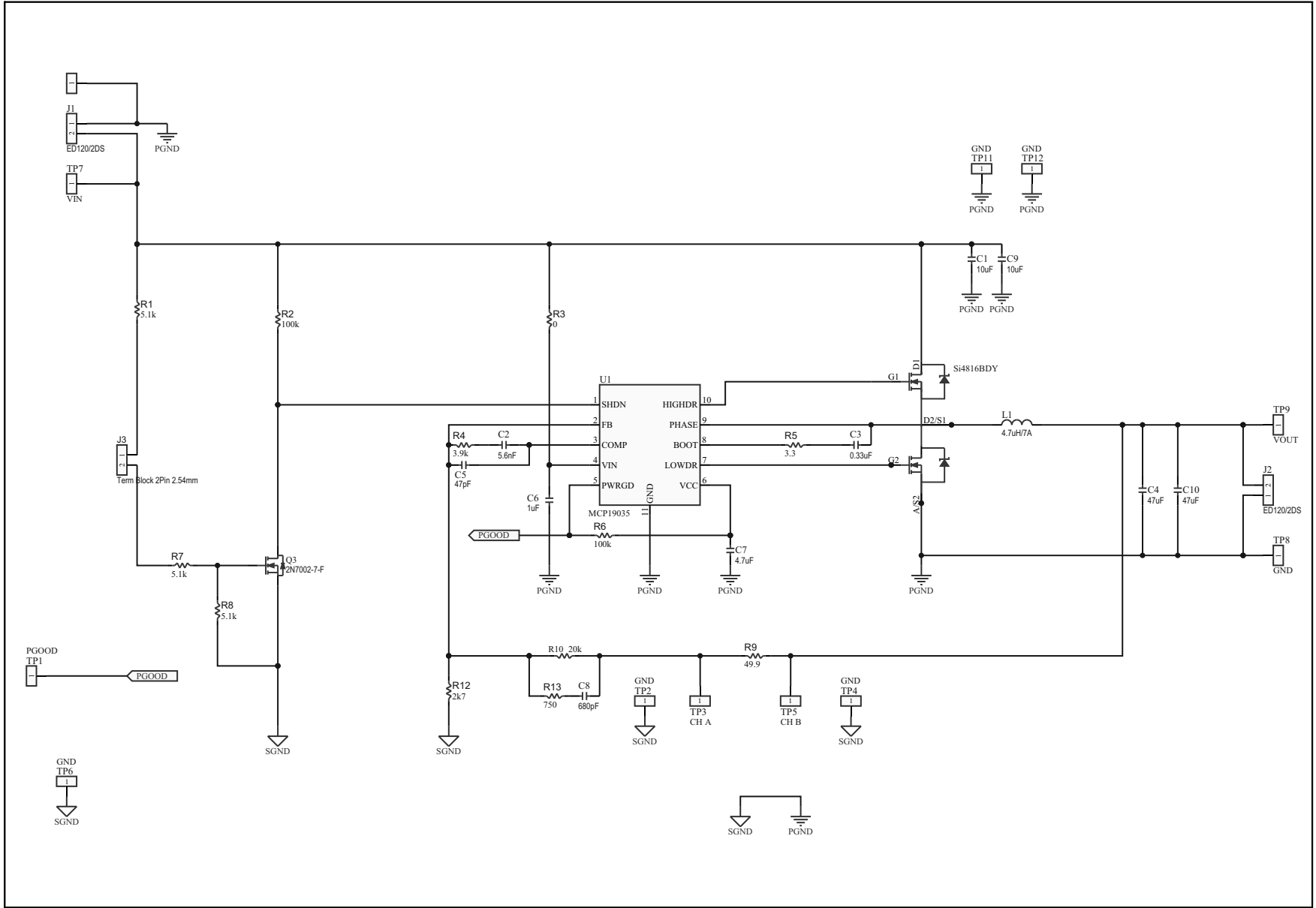
Appendix A. Schematic and Layouts

A.1 INTRODUCTION

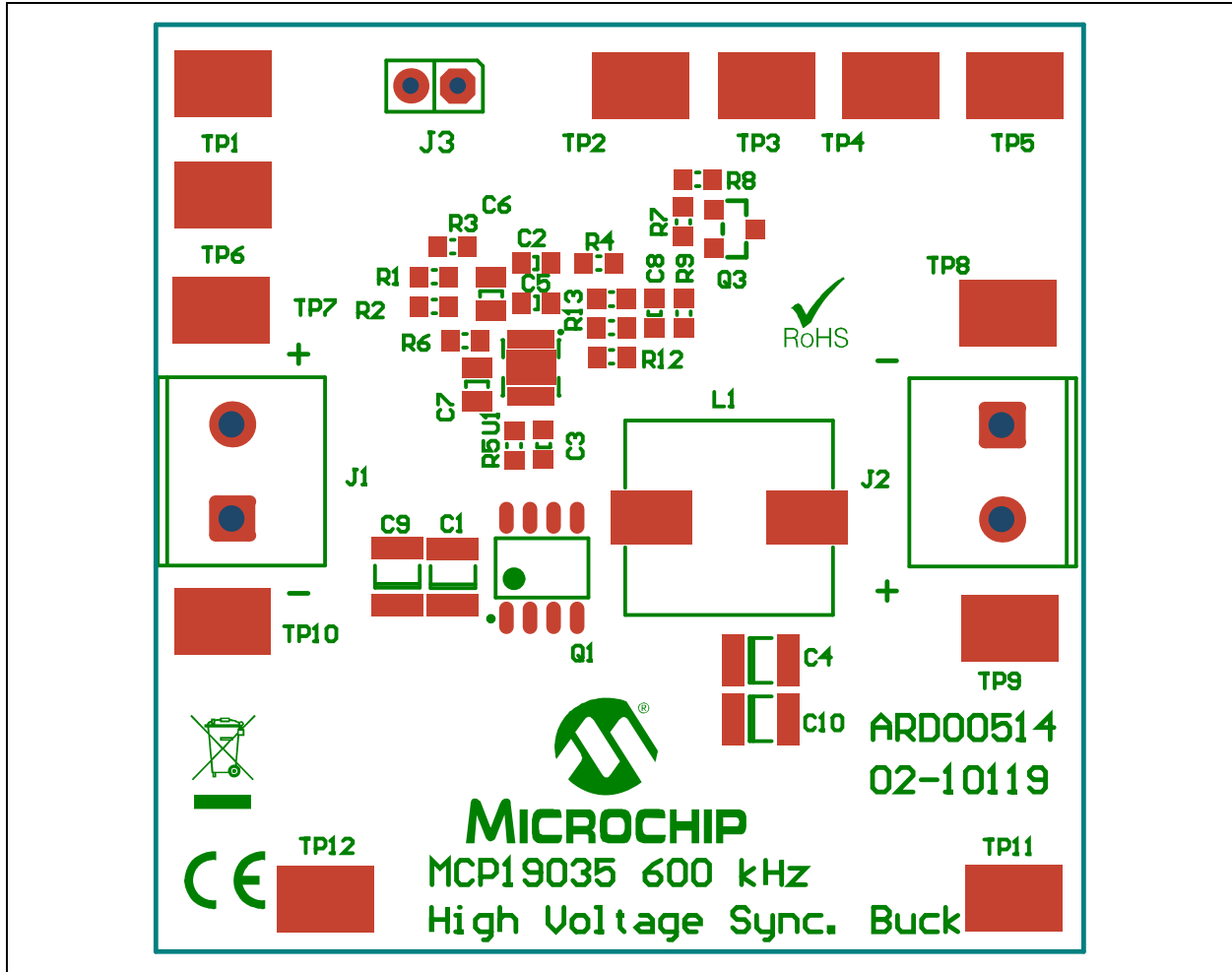
This appendix contains the following schematics and layouts for the MCP19035 600 kHz High Voltage Synchronous Buck Controller Reference Design:

- Board – Schematic
- Board – Top Silk
- Board – Top Silk And Copper
- Board – Bottom Copper
- Board – Bottom Copper and Silk

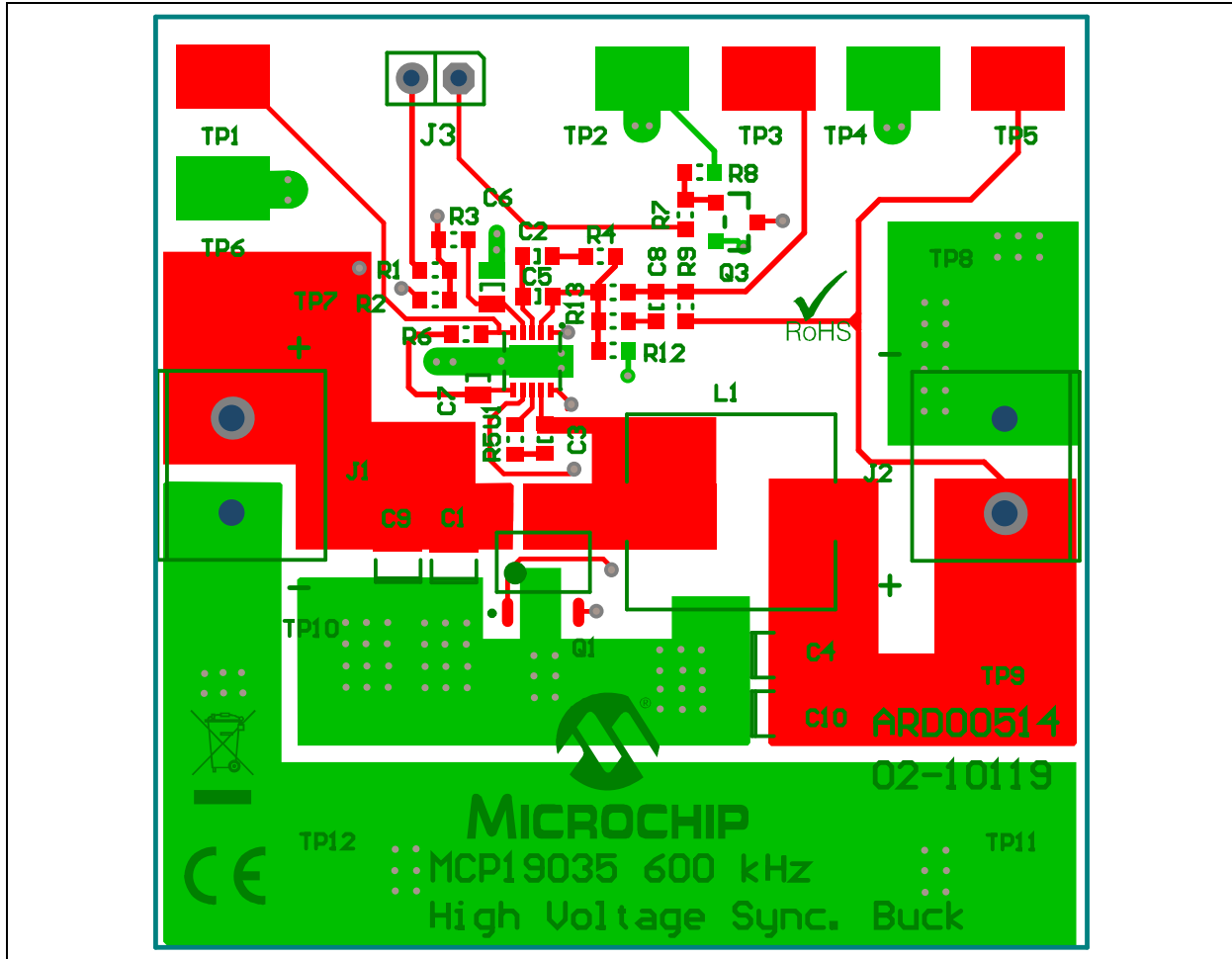
A.2 BOARD – SCHEMATIC



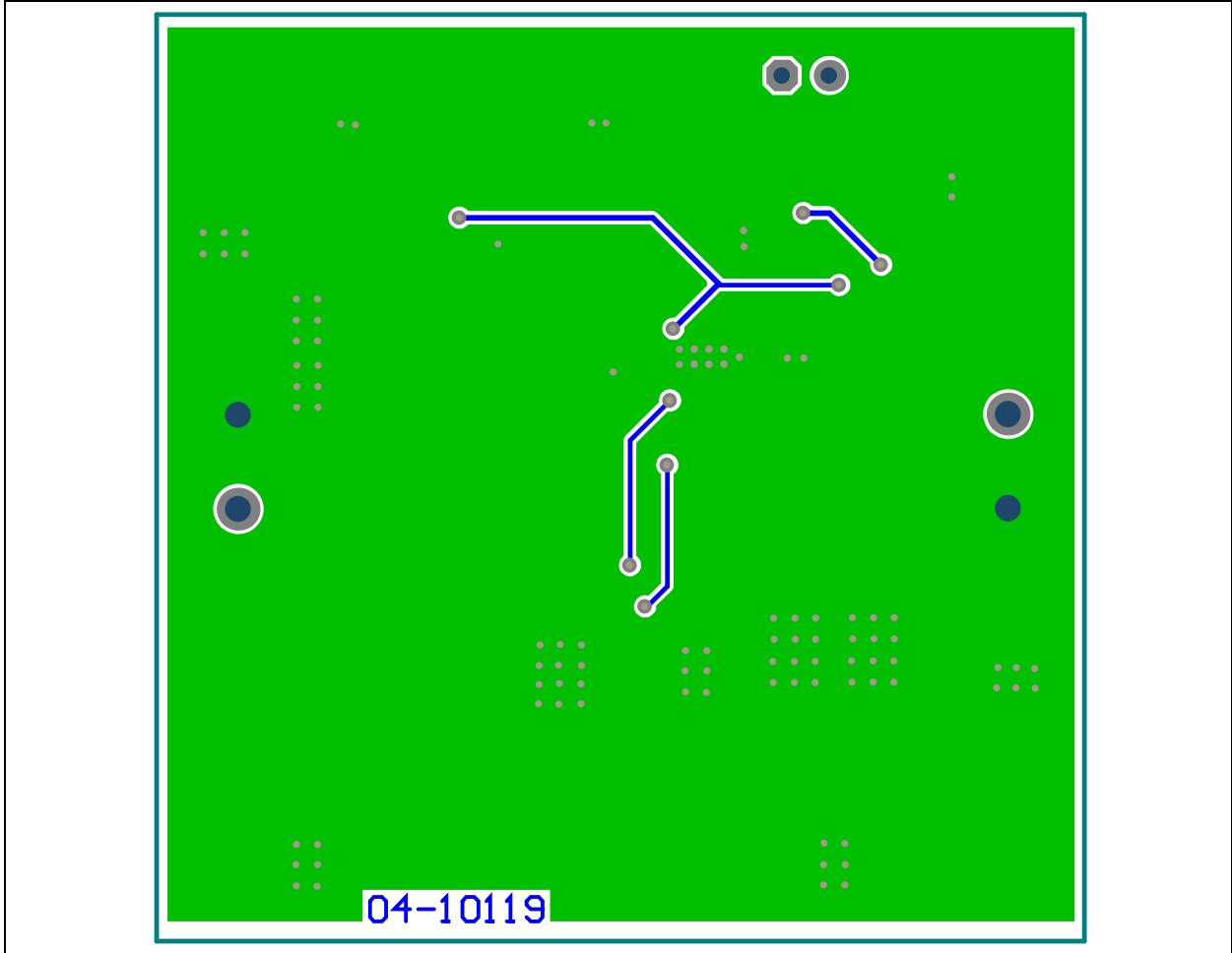
A.3 BOARD – TOP SILK



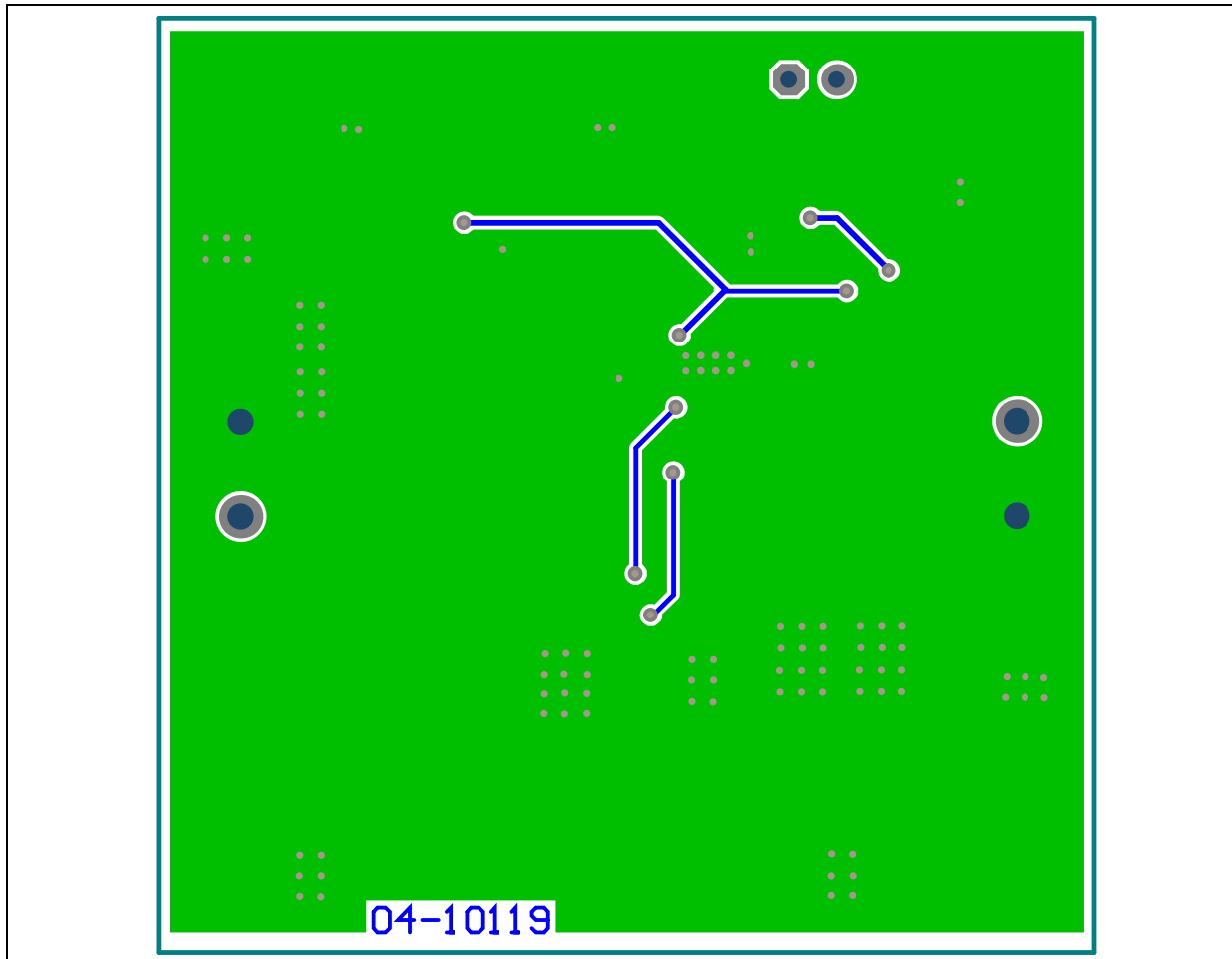
A.4 BOARD – TOP SILK AND COPPER



A.5 BOARD – BOTTOM COPPER



A.6 BOARD – BOTTOM COPPER AND SILK





MCP19035 600 kHz HIGH-VOLTAGE SYNCHRONOUS BUCK CONTROLLER REFERENCE DESIGN USER'S GUIDE

Appendix B. Bill of Materials (BOM)

TABLE B-1: BILL OF MATERIALS (BOM)

Qty.	Reference	Description	Manufacturer	Part Number
2	C1, C9	Cap. ceramic 10 UF 35V 20% X7R 1210	Taiyo Yuden Co., Ltd.	GMK325AB7106MM-T
1	C2	Cap. ceramic 5600 PF 25V 5% NP0 0603	TDK Corporation	C1608C0G1E562J080AA
1	C3	Cap. ceramic 0.33 UF 16V 10% X7R 0603	Murata Americas	GRM188R71C334KA01D
2	C4, C10	Cap. ceramic 47 UF 10V 20% X7R 1210	Taiyo Yuden Co., Ltd.	LMK325B7476MM-TR
1	C5	Cap. ceramic 47 PF 50V 5% NP0 0603	AVX Corporation	C1608C0G1H470J080AA
1	C6	Cap. ceramic 1 UF 35V 10% X7R 0805	TDK Corporation	CGA4J3X7R1V105K
1	C7	Cap. ceramic 4.7 UF 35V 10% X7R 0805	TDK Corporation	C2012X7R1V475K125AC
1	C8	Cap. ceramic 680 PF 50V 5% NP0 0603	TDK Corporation	C1608C0G1H681J080AA
2	J1, J2	Terminal Block 5.08 MM vert. 2 POS	On-Shore Technology, Inc.	ED120/2DS
1	J3	Conn. header vert. 100" gold	TE Connectivity, Ltd.	5-146868-1
1	L1	Inductor power 4.7 UH 8.5A SMD	Würth® Elektronik Group	74477004
0	PCB	MCP19035 600 kHz High-Voltage Synchronous Buck Controller Reference Design Printed Circuit Board	-	104-00514
1	Q1	Dual N-Channel 30-V (D-S) MOSFET with Schottky Diode	Vishay	SI4816BDY-T1-E3
1	Q3	MOSFET N-Channel 60V 115 MA SOT-23-3	Diodes® Incorporated	2N7002-7-F
3	R1, R7, R8	Res. 5.1k Ohm 1/10W 1% 0603 SMD	Panasonic® – ECG	ERJ-3EKF5101V
2	R2, R6	Res. 100k Ohm 1/10W 1% 0603 SMD	Panasonic – ECG	ERJ-3EKF1003V
1	R3	Res. 0 Ohm 1/10W 0603 SMD	Panasonic – ECG	ERJ-3GEY0R00V
1	R4	Res. 3.9K Ohm 1/10W 5% 0603 SMD	Panasonic – ECG	ERJ-3GEYJ392V
1	R5	Res. 3.3 Ohm 1/10W 1% 0603	Panasonic – ECG	ERJ-3RQF3R3V
1	R9	Res. 49.9 Ohm .25W 1% 0603 SMD	Vishay/Dale	CRCW060349R9FKEAHP
1	R10	Res. 20k Ohm 1/10W 1% 0603 SMD	Panasonic – ECG	ERJ-3EKF2002V
1	R12	Res. 2.70K Ohm 1/10W 1% 0603 SMD	Panasonic – ECG	ERJ-3EKF2701V
1	R13	Res. 750 Ohm 1/10W 1% 0603 SMD	Vishay/Dale	CRCW0603750RFKEA
12	TP1 - TP12	PC test point compact SMT	Keystone Electronics Corp.	5016
1	U1	High-Speed Synchronous Buck Controller	Microchip Technology Inc.	MCP19035-BAAAE/MF

Note 1: The components listed in this Bill of Materials are representative of the PCB assembly. The released BOM used in manufacturing uses all RoHS-compliant components.

Appendix C. Typical Performance Data, Curves and Waveforms

C.1 INTRODUCTION

This chapter shows some of the typical performance parameters and curves of the MCP19035 600 kHz High-Voltage Synchronous Buck Controller Reference Design.

TABLE C-1: CONVERTER PARAMETERS

Parameter	Value	Comments
Input Voltage Range (V)	8 - 26	
Output Voltage (V)	5	±2.5% Tolerance
Maximum Output Current (A)	5	Steady state output current
Output Voltage Ripple (mV)	< 50	$V_{IN} = 24V, I_{OUT} = 4A$
Input Voltage Ripple (mV)	< 200	$V_{IN} = 24V, I_{OUT} = 4A$
Output Voltage Overshoot during Step Load (mV)	< 200	Step Load 1A to 4A
Switching Frequency (kHz)	550 - 650	Typical 600 kHz

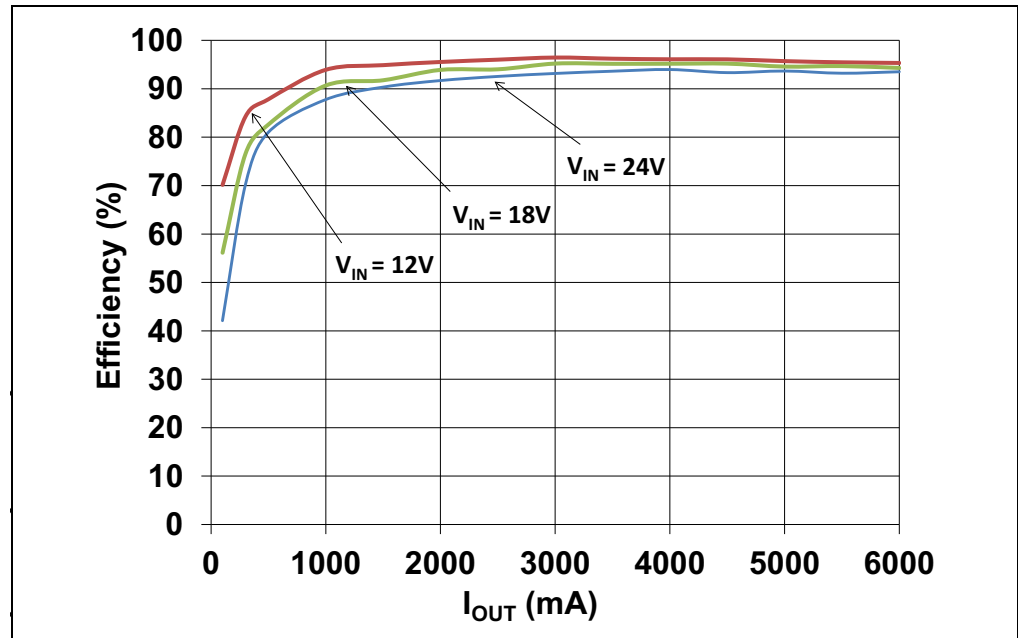


FIGURE C-1: Efficiency.

Typical Performance Data, Curves and Waveforms

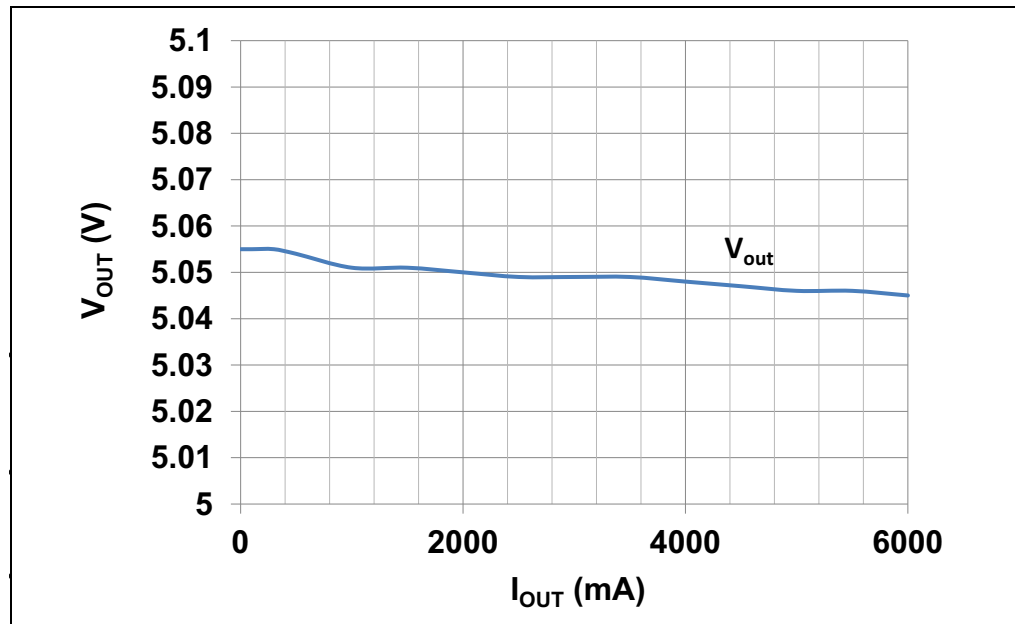


FIGURE C-2: Load Regulation ($V_{IN} = 24V$).

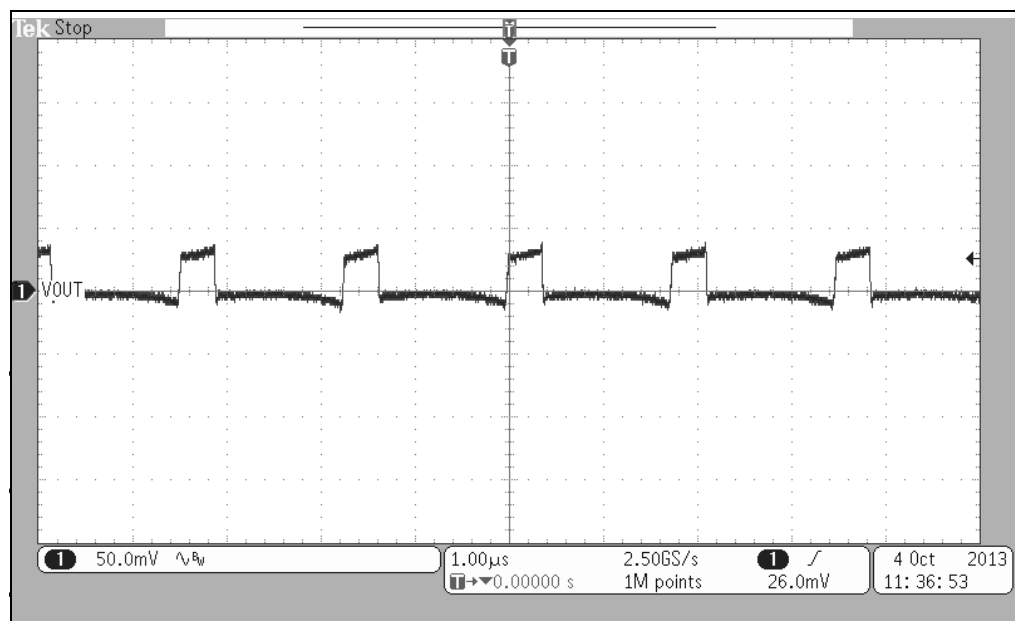


FIGURE C-3: Output Voltage Ripple/Noise ($V_{IN} = 24V$, $I_{OUT} = 4A$, $BW = 20$ MHz).

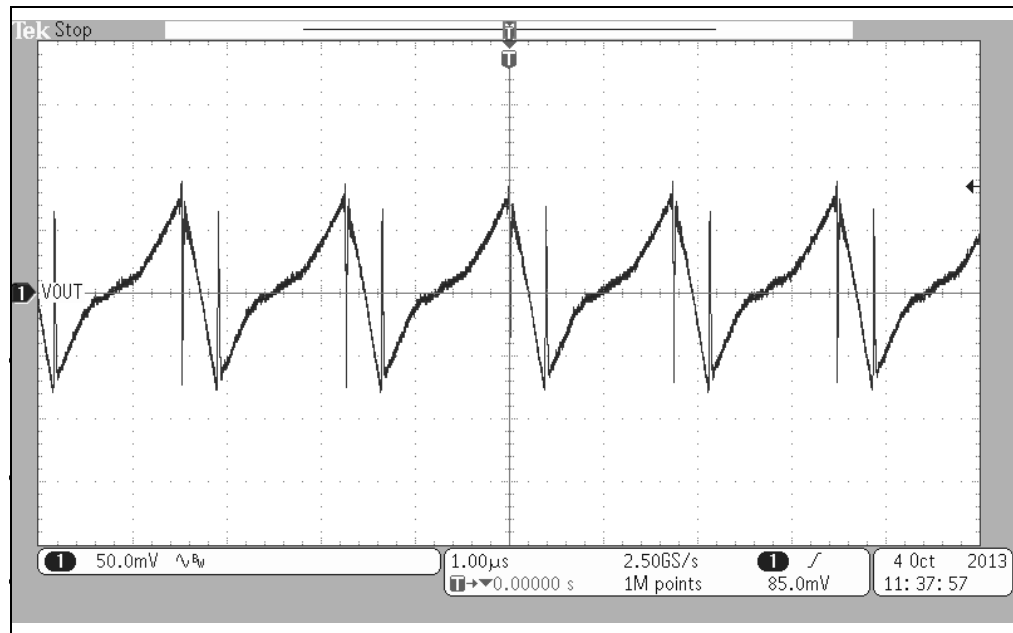


FIGURE C-4: Input Voltage Ripple/Noise ($V_{IN} = 24V$, $I_{OUT} = 4A$, $BW = 20\text{ MHz}$).



FIGURE C-5: Step Load ($V_{IN} = 24V$).

Typical Performance Data, Curves and Waveforms

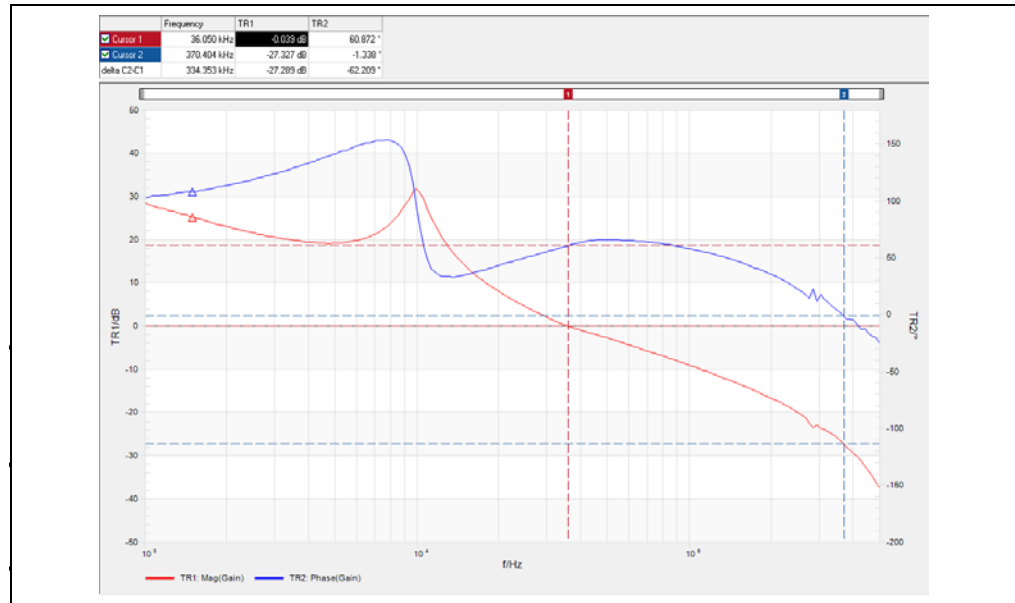


FIGURE C-6: Bode Plots ($V_{IN} = 24V$, $V_{OUT} = 5V$; $I_{OUT} = 5A$).



MICROCHIP

Worldwide Sales and Service

AMERICAS

Corporate Office
2355 West Chandler Blvd.
Chandler, AZ 85224-6199
Tel: 480-792-7200
Fax: 480-792-7277
Technical Support:
<http://www.microchip.com/support>
Web Address:
www.microchip.com

Atlanta
Duluth, GA
Tel: 678-957-9614
Fax: 678-957-1455

Austin, TX
Tel: 512-257-3370

Boston
Westborough, MA
Tel: 774-760-0087
Fax: 774-760-0088

Chicago
Itasca, IL
Tel: 630-285-0071
Fax: 630-285-0075

Cleveland
Independence, OH
Tel: 216-447-0464
Fax: 216-447-0643

Dallas
Addison, TX
Tel: 972-818-7423
Fax: 972-818-2924

Detroit
Novi, MI
Tel: 248-848-4000

Houston, TX
Tel: 281-894-5983

Indianapolis
Noblesville, IN
Tel: 317-773-8323
Fax: 317-773-5453

Los Angeles
Mission Viejo, CA
Tel: 949-462-9523
Fax: 949-462-9608

New York, NY
Tel: 631-435-6000

San Jose, CA
Tel: 408-735-9110

Canada - Toronto
Tel: 905-673-0699
Fax: 905-673-6509

ASIA/PACIFIC

Asia Pacific Office
Suites 3707-14, 37th Floor
Tower 6, The Gateway
Harbour City, Kowloon
Hong Kong
Tel: 852-2943-5100
Fax: 852-2401-3431

Australia - Sydney
Tel: 61-2-9868-6733
Fax: 61-2-9868-6755

China - Beijing
Tel: 86-10-8569-7000
Fax: 86-10-8528-2104

China - Chengdu
Tel: 86-28-8665-5511
Fax: 86-28-8665-7889

China - Chongqing
Tel: 86-23-8980-9588
Fax: 86-23-8980-9500

China - Hangzhou
Tel: 86-571-8792-8115
Fax: 86-571-8792-8116

China - Hong Kong SAR
Tel: 852-2943-5100
Fax: 852-2401-3431

China - Nanjing
Tel: 86-25-8473-2460
Fax: 86-25-8473-2470

China - Qingdao
Tel: 86-532-8502-7355
Fax: 86-532-8502-7205

China - Shanghai
Tel: 86-21-5407-5533
Fax: 86-21-5407-5066

China - Shenyang
Tel: 86-24-2334-2829
Fax: 86-24-2334-2393

China - Shenzhen
Tel: 86-755-8864-2200
Fax: 86-755-8203-1760

China - Wuhan
Tel: 86-27-5980-5300
Fax: 86-27-5980-5118

China - Xian
Tel: 86-29-8833-7252
Fax: 86-29-8833-7256

China - Xiamen
Tel: 86-592-2388138
Fax: 86-592-2388130

China - Zhuhai
Tel: 86-756-3210040
Fax: 86-756-3210049

ASIA/PACIFIC

India - Bangalore
Tel: 91-80-3090-4444
Fax: 91-80-3090-4123

India - New Delhi
Tel: 91-11-4160-8631
Fax: 91-11-4160-8632

India - Pune
Tel: 91-20-3019-1500

Japan - Osaka
Tel: 81-6-6152-7160
Fax: 81-6-6152-9310

Japan - Tokyo
Tel: 81-3-6880-3770
Fax: 81-3-6880-3771

Korea - Daegu
Tel: 82-53-744-4301
Fax: 82-53-744-4302

Korea - Seoul
Tel: 82-2-554-7200
Fax: 82-2-558-5932 or
82-2-558-5934

Malaysia - Kuala Lumpur
Tel: 60-3-6201-9857
Fax: 60-3-6201-9859

Malaysia - Penang
Tel: 60-4-227-8870
Fax: 60-4-227-4068

Philippines - Manila
Tel: 63-2-634-9065
Fax: 63-2-634-9069

Singapore
Tel: 65-6334-8870
Fax: 65-6334-8850

Taiwan - Hsin Chu
Tel: 886-3-5778-366
Fax: 886-3-5770-955

Taiwan - Kaohsiung
Tel: 886-7-213-7830

Taiwan - Taipei
Tel: 886-2-2508-8600
Fax: 886-2-2508-0102

Thailand - Bangkok
Tel: 66-2-694-1351
Fax: 66-2-694-1350

EUROPE

Austria - Wels
Tel: 43-7242-2244-39
Fax: 43-7242-2244-393

Denmark - Copenhagen
Tel: 45-4450-2828
Fax: 45-4485-2829

France - Paris
Tel: 33-1-69-53-63-20
Fax: 33-1-69-30-90-79

Germany - Dusseldorf
Tel: 49-2129-3766400

Germany - Munich
Tel: 49-89-627-144-0
Fax: 49-89-627-144-44

Germany - Pforzheim
Tel: 49-7231-424750

Italy - Milan
Tel: 39-0331-742611
Fax: 39-0331-466781

Italy - Venice
Tel: 39-049-7625286

Netherlands - Drunen
Tel: 31-416-690399
Fax: 31-416-690340

Poland - Warsaw
Tel: 48-22-3325737

Spain - Madrid
Tel: 34-91-708-08-90
Fax: 34-91-708-08-91

Sweden - Stockholm
Tel: 46-8-5090-4654

UK - Wokingham
Tel: 44-118-921-5800
Fax: 44-118-921-5820

03/25/14

Компания «Life Electronics» занимается поставками электронных компонентов импортного и отечественного производства от производителей и со складов крупных дистрибьюторов Европы, Америки и Азии.

С конца 2013 года компания активно расширяет линейку поставок компонентов по направлению коаксиальный кабель, кварцевые генераторы и конденсаторы (керамические, пленочные, электролитические), за счёт заключения дистрибьюторских договоров

Мы предлагаем:

- Конкуренспособные цены и скидки постоянным клиентам.
- Специальные условия для постоянных клиентов.
- Подбор аналогов.
- Поставку компонентов в любых объемах, удовлетворяющих вашим потребностям.
- Приемлемые сроки поставки, возможна ускоренная поставка.
- Доставку товара в любую точку России и стран СНГ.
- Комплексную поставку.
- Работу по проектам и поставку образцов.
- Формирование склада под заказчика.
- Сертификаты соответствия на поставляемую продукцию (по желанию клиента).
- Тестирование поставляемой продукции.
- Поставку компонентов, требующих военную и космическую приемку.
- Входной контроль качества.
- Наличие сертификата ISO.

В составе нашей компании организован Конструкторский отдел, призванный помогать разработчикам, и инженерам.

Конструкторский отдел помогает осуществить:

- Регистрацию проекта у производителя компонентов.
- Техническую поддержку проекта.
- Защиту от снятия компонента с производства.
- Оценку стоимости проекта по компонентам.
- Изготовление тестовой платы монтаж и пусконаладочные работы.



Тел: +7 (812) 336 43 04 (многоканальный)
Email: org@lifeelectronics.ru