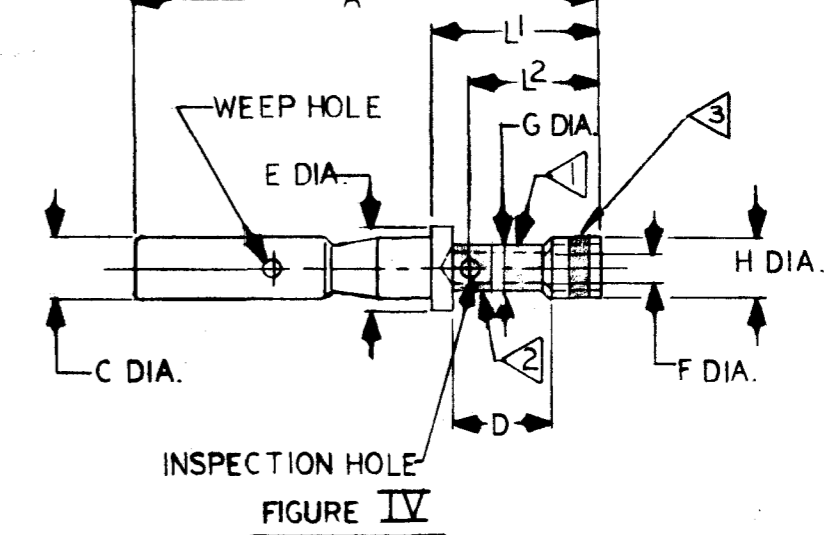
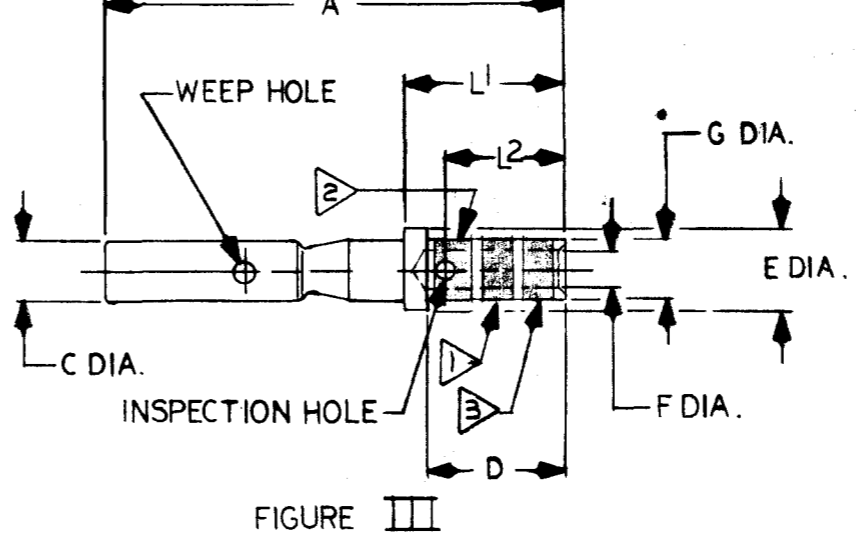
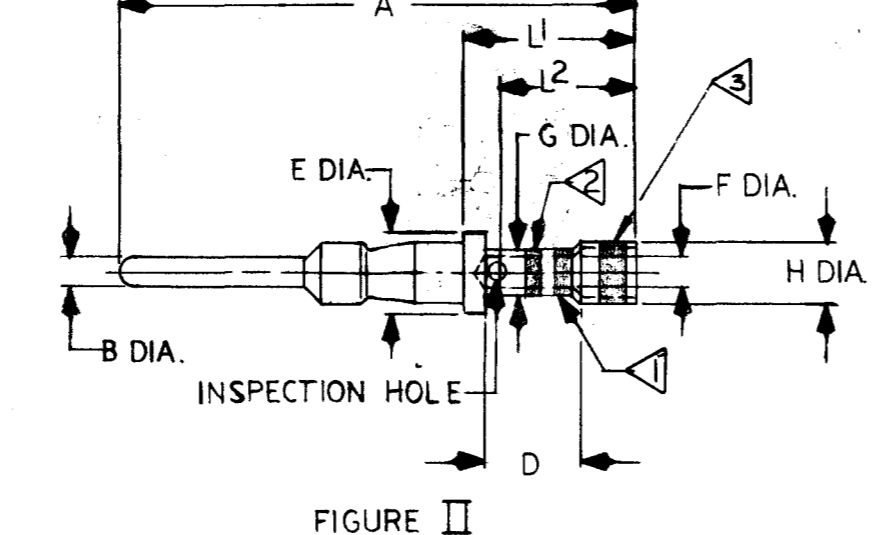
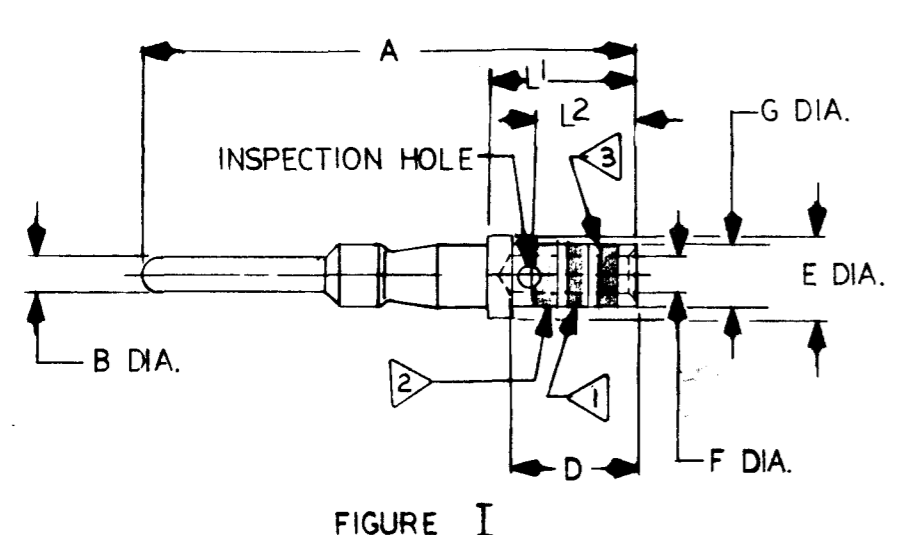
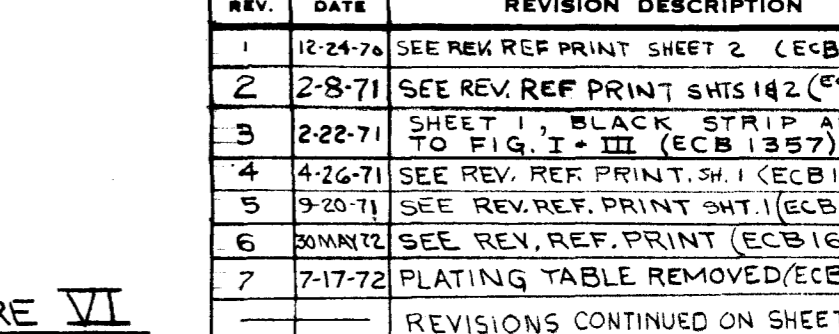
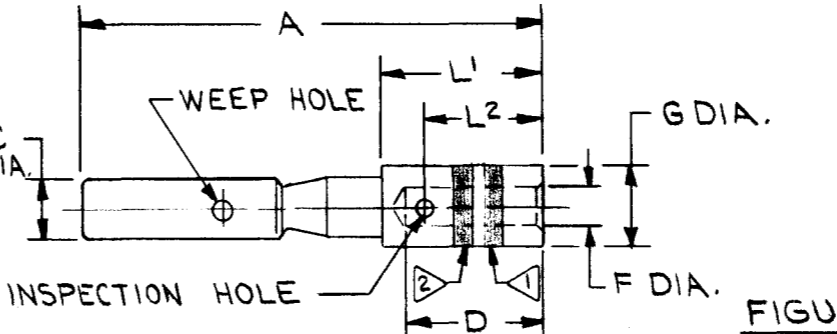
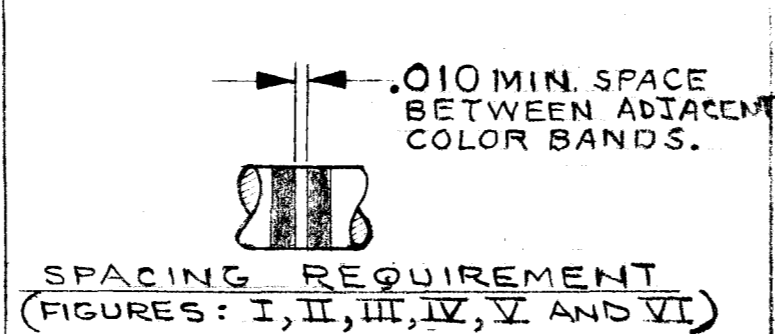
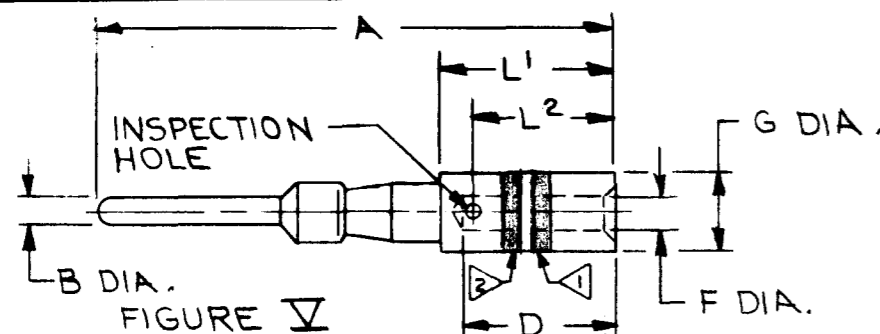


SD71175

| REV. | DATE     | REVISION DESCRIPTION                                  | BY     | C.K.D. |
|------|----------|---|--------|--------|
| 1    | 12-24-76 | SEE REV REF PRINT SHEET 2 (ECB1291)                   | RWD    | RWB    |
| 2    | 2-8-71   | SEE REV REF PRINT SHTS 142 (ECB 1324)                 | PJR    | RWB    |
| 3    | 2-22-71  | SHEET 1, BLACK STRIP ADDED TO FIG. I - III (ECB 1357) | PJB    | RWB    |
| 4    | 4-26-71  | SEE REV. REF. PRINT. SH. 1 (ECB1399)                  | RWD    | RWB    |
| 5    | 9-20-71  | SEE REV. REF. PRINT SH. 1 (ECB1496)                   | P.G.P. | RWB    |
| 6    | 30MAY72  | SEE REV. REF. PRINT (ECB1695)                         | POP    | RWB    |
| 7    | 7-17-72  | PLATING TABLE REMOVED (ECB 1703)                      | RWD    | RWB    |



| DOUGLAS CONTACT CATALOG NO. | PIN OR SOCKET | MATING END |            | WIRE BARREL |            |           |       | TOOLING    |           |            |         |              | FIG.                      | A         | B DIA. | C DIA. | D STRIP LENGTH | E DIA.  | F DIA.  | G DIA.  | H DIA.  | WEIGHT LBS./M. | BURNDY CATALOG NUMBER | L1 ±.002    | L2 ±.005    |                |                 |
|-----------------------------|---------------|------------|------------|-------------|------------|-----------|-------|------------|-----------|------------|---------|--------------|---------------------------|-----------|--------|--------|----------------|---------|---------|---------|---------|----------------|-----------------------|-------------|-------------|----------------|-----------------|
|                             |               | SIZE       | COLOR CODE | SIZE        | COLOR CODE | CONDUCTOR |       | INSULATION |           | CRIMP TOOL | DIE SET | STOP BUSHING |                           |           |        |        |                |         |         |         |         |                |                       |             |             | INSERTION TOOL | EXTRACTION TOOL |
|                             |               |            |            |             |            | MIN.      | MAX.  | MIN. DIA.  | MAX. DIA. |            |         |              |                           |           |        |        |                |         |         |         |         |                |                       |             |             |                |                 |
| LRM27-5DES                  | P             | 12         | YELLOW     | 12          | YELLOW     | (#14)     | (#12) | .112       | .146      |            | S-8     | SL-4         | RTM12-5                   | RX12-7    | I      | .905   | .094           |         | 9/32    | 202/198 | 102/098 | 153/147        |                       | 3.4         | LRM27-5DES  | 296            | 220             |
| LRC127-5DES                 | S             |            |            |             |            |           |       |            |           |            |         |              |                           | III       | .844   |        | 161/158        | 9/32    | 202/198 | 102/098 | 153/147 |                | 3.5                   | LRC127-5DES | 296         | 220            |                 |
| LRM16M-5DES                 | P             | 16         | BLUE       | 16          | BLUE       | (#20)     | (#16) |            |           |            | S-7     | SL-2         | RTM16-2V2                 | RX16-7V1  | I      | .905   | .0625          |         | 9/32    | 148/144 | 068/066 | 108/101        |                       | 1.6         | LRM16M-5DES | 296            | 220             |
| LRC16M-5DES                 | S             |            |            |             |            |           |       |            |           |            |         |              |                           | III       | .844   |        | 113/110        | 9/32    | 148/144 | 068/066 | 108/101 |                | 1.7                   | LRC16M-5DES | 296         | 220            |                 |
| LRM16M-6DES                 | P             | 16         | BLUE       | 16          | BLUE       | (#20)     | (#16) | .074       | .110      |            | S-7     | SL-2         | RTM16-2V2                 | RX16-8    | I      | 1.093  | .0625          |         | 9/32    | 148/144 | 068/066 | 108/101        |                       | 2.1         | LRM16M-6DES | 296            | 220             |
| LRC16M-6DES                 | S             |            |            |             |            |           |       |            |           |            |         |              |                           | III       | 1.091  |        | 113/110        | 9/32    | 148/144 | 068/066 | 108/101 |                | 2.2                   | LRC16M-6DES | 296         | 220            |                 |
| LRM16W-2DES                 | P             | 20         | RED        | 16          | BLUE       | (#20)     | (#16) |            |           |            | S-7     | SL-44        | RTM16-2                   | RX20-24V3 | V      | .905   | .040           |         | 9/32    |         | 068/066 | 105/101        |                       | .9          | LRM16W-2DES | 296            | 220             |
| LRC16W-2DES                 | S             |            |            |             |            |           |       |            |           |            |         |              |                           | VI        | .844   |        | 078/076        | 9/32    |         | 068/066 | 105/101 |                | 1.0                   | LRC16W-2DES | 296         | 220            |                 |
| LRM20M-1DES                 | P             | 16         | BLUE       | 20          | RED        | (#24)     | (#20) |            |           |            | S-6A    | SL-64        | RTM20-5<br>OR<br>RTM20-14 | RX16-8    | II     | .915   | .0625          |         | 7/32    | 148/144 | 050/048 | 078/076        | .105                  | 1.5         | LRM20M-1DES | 306            | 246             |
| LRC20M-1DES                 | S             |            |            |             |            |           |       |            |           |            |         |              |                           | IV        | .854   |        | 113/110        | 7/32    | 148/144 | 050/048 | 078/076 | .105           | 1.6                   | LRC20M-1DES | 306         | 246            |                 |
| LRM20M-2DES                 | P             | 16         | BLUE       | 20          | RED        | (#24)     | (#20) |            |           |            | S-6A    | SL-64        | RTM20-5<br>OR<br>RTM20-14 | RX16-8    | II     | 1.103  | .0625          |         | 7/32    | 148/144 | 050/048 | 078/076        | .105                  | 2.0         | LRM20M-2DES | 306            | 246             |
| LRC20M-2DES                 | S             |            |            |             |            |           |       |            |           |            |         |              |                           | IV        | 1.101  |        | 113/110        | 7/32    | 148/144 | 050/048 | 078/076 | .105           | 2.1                   | LRC20M-2DES | 306         | 246            |                 |
| LRM20W-5DES                 | P             | 20         | RED        | 20          | RED        | (#24)     | (#20) |            | .090      |            | M10S-1  |              | RTM20-5<br>OR<br>RTM20-14 | RX20-24V3 | II     | .915   | .040           |         | 7/32    | 103/100 | 050/048 | 078/076        | .105                  | .8          | LRM20W-5DES | 306            | 246             |
| LRC20W-5DES                 | S             |            |            |             |            |           |       |            | .039      |            |         |              | RTM20-5<br>OR<br>RTM20-14 | RX20-24V3 | IV     | .854   |                | 078/076 | 7/32    | 103/106 | 050/048 | 078/076        | .105                  | .9          | LRC20W-5DES | 306            | 246             |
| LRM22M-1DES                 | P             | 16         | BLUE       | 22          | GREEN      | (#24)     | (#22) |            |           |            | S-6A    | SL-64        | RTM16-2                   | RX16-7    | II     | .915   | .0625          |         | 7/32    | 148/144 | 038/036 | 066/064        | .105                  | 1.7         | LRM22M-1DES | 306            | 246             |
| LRC22M-1DES                 | S             |            |            |             |            |           |       |            |           |            |         |              | RTM16-2                   | RX16-8    | IV     | .854   |                | 113/110 | 7/32    | 148/144 | 038/036 | 066/064        | .105                  | 1.8         | LRC22M-1DES | 306            | 246             |
| LRM22M-2DES                 | P             | 16         | BLUE       | 22          | GREEN      | (#24)     | (#22) |            | .080      |            | S-6A    | SL-64        | RTM16-2                   | RX16-8    | II     | 1.103  | .0625          |         | 7/32    | 148/144 | 038/036 | 066/064        | .105                  | 1.8         | LRM22M-2DES | 306            | 246             |
| LRC22M-2DES                 | S             |            |            |             |            |           |       |            |           |            |         |              | RTM16-2                   | RX16-8    | IV     | 1.101  |                | 113/110 | 7/32    | 148/144 | 038/036 | 066/064        | .105                  | 2.2         | LRC22M-2DES | 306            | 246             |

| PLATING TABLE |                  |
|---------------|------------------|
| SUFFIX        | PLATING          |
| DES           | GOLD OVER COPPER |

**NOTES:**

▲▲▲ DENOTES WIRE BARREL.  
 ▲▲ DENOTES MATING END.  
 BLACK DENOTES 5015 TYPE CONTACT AND IS ONLY APPLICABLE IF 3 APPEARS TO LEFT OF CATALOG NUMBER.

▲ TO ORDER REEL MOUNTED CONTACTS, PRECEDE CONTACT CATALOG NO. WITH "C" - EXAMPLE - CLRC16M-5DES INDICATES LRC16M-5DES CONTACTS MOUNTED IN REELED CARRY STRIP FOR BANDOMATIC ASSEMBLY. REF. ASTM B33-63 AIRCRAFT WIRE ONLY.

▲ FOR NEW CONTACTS REPLACING SUPERSED CONTACTS SEE DWG. SDW1119

IDENTIFICATION STRIPES IN ACCORDANCE WITH:  
 MIL-C-23216  
 MS 3190  
 MS 3192C  
 MS 3193B

MATERIAL: BRASS

FSCM NO. 09922

BANTAM PIN AND SOCKET CONTACTS

CAT. NO. LRM/LRC (TABLE)

SCALE

DRAWN: RJR2 10-29-70

CHECKED: [Signature] 11-6-70

DES. APPROV. 11-13-70 C.B.

PROD. APPROV. [Signature] 11/3/70

**BURNDY**  
 NORWALK, CONN. 06852

DRAWING NO. **SD71175**

REV. **13**

SHEET 1 OF 2

SD7117S

| REV. | DATE     | REVISION DESCRIPTION  | BY  | C'K'D. |
|------|----------|---|-----|--------|
| 12   | 11-21-83 | SHT. 1, NOTE 3, ADDED AND IS ONLY APPLICABLE IF B APPEARS TO LEFT OF CAT. NO. (DC11095) | DA  | C.B.   |
| 13   | 3/24/79  | REMOVED BR FROM DRAWING # MATERIAL: BRASS PER ECN #328                                  | DAF | SAF    |

| REV.                             | DATE    | REVISION DESCRIPTION   | BY   | C'K'D. |
|----------------------------------|---------|--|------|--------|
| REVISIONS CONTINUED FROM SHEET 1 |         |  |      |        |
| 8                                | 3-23-74 | SHEET 2, NOTE 'A' WAS NOTE '4' NOTE 'B' ADDED (ECB1968 \$ADD.)   | D.L. | P.J.B. |
| 9                                | 4-29-81 | SHTS 1 & 2, SEE REV. REF. (ECC4269) PRINT.   | L.H. | SFP    |
| 10                               | 9-15-81 | SHTS. 1 & 2 SEE REV. REF. (QC10,666) PRINTS  | L.H. | SFP    |
| 11                               | 9/9/83  | ADDED NOTE 6, SUPERSEDED CAT. NO'S. LRM1223DES, LRC1223DES, LRM16M23DES, LRC16M23DES, LRM20W23DES, LRC20W23DES PER ECW1395 | S.E. | CEB    |

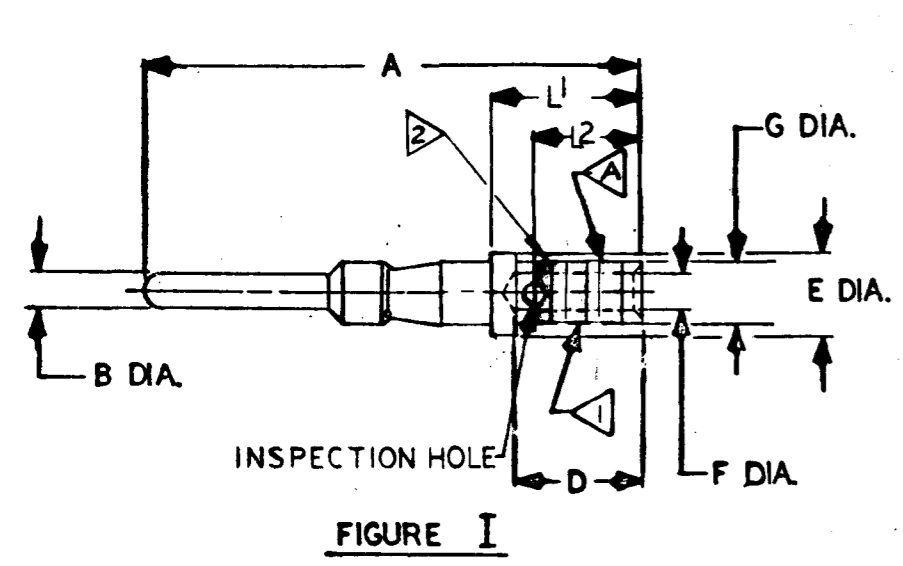


FIGURE I

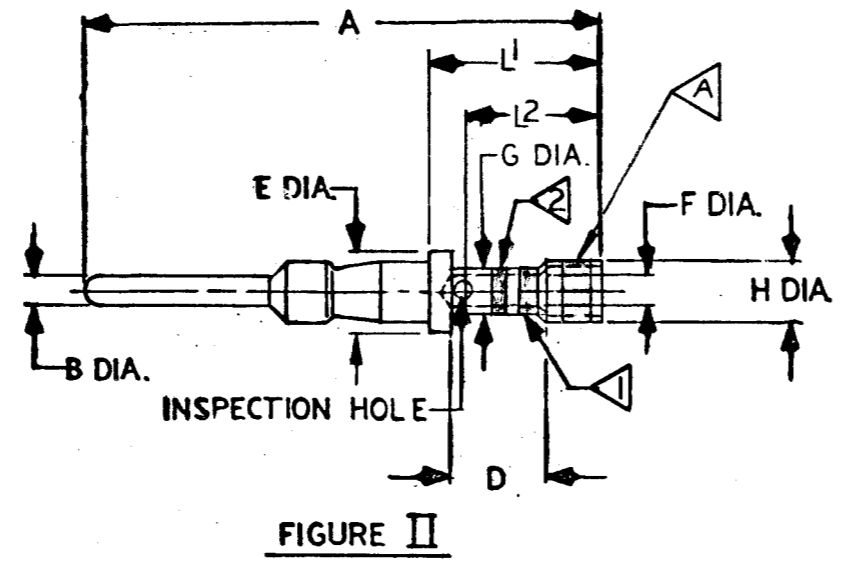


FIGURE II

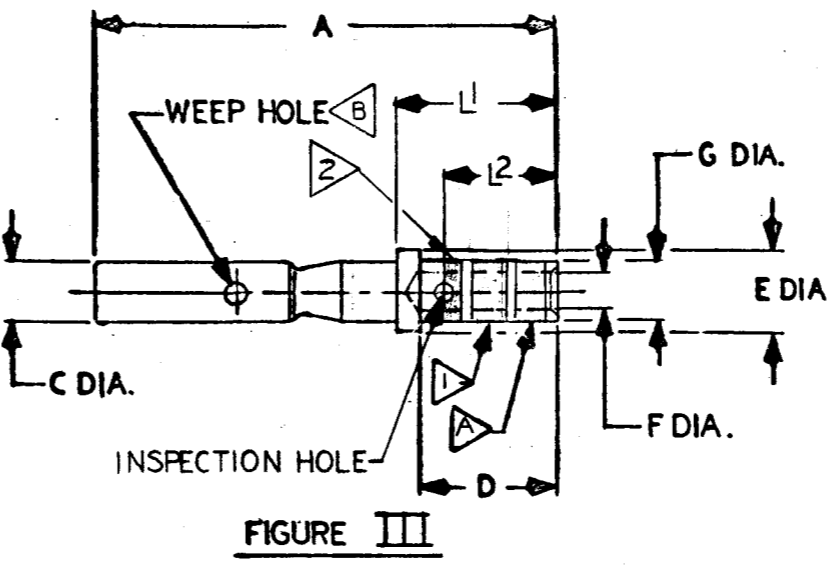


FIGURE III

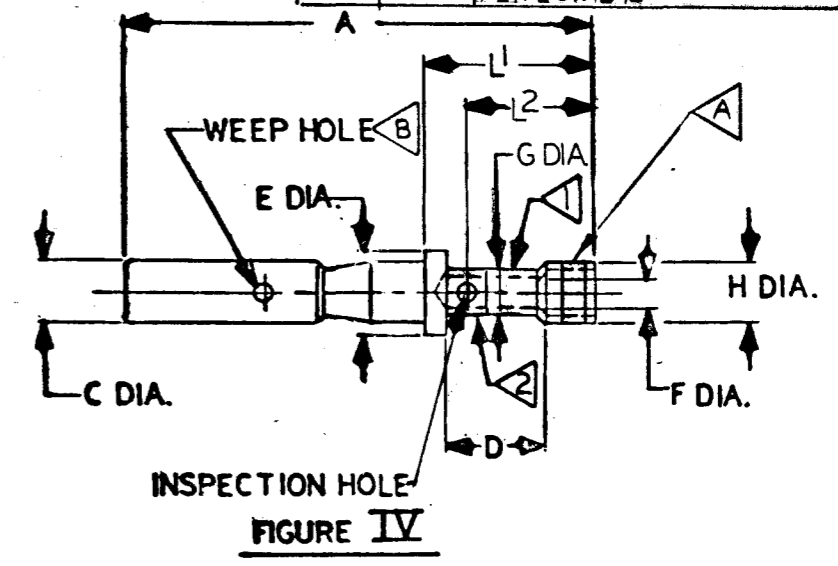


FIGURE IV

| CONTACT CATALOG NO. | PIN OR SOCKET | MATING END   |            | WIRE BARREL |            |      | TOOLING |  |            |         |              | FIG.    | A ±.010   | B DIA. ±.001 | C DIA.    | D STRIP LENGTH | E DIA. | F DIA. ±.001 | G DIA. | H DIA. ±.001 | MATERIAL | WEIGHT LBS/M | FINISH | L1 ±.002 | L2 ±.005 |                |                 |      |
|---------------------|---------------|--------------|------------|-------------|------------|------|---------|--|------------|---------|--------------|---------|-----------|--------------|-----------|----------------|--------|--------------|--------|--------------|----------|--------------|--------|----------|----------|----------------|-----------------|------|
|                     |               | SIZE         | COLOR CODE | SIZE        | COLOR CODE | MIN. | MAX.    | PER  | CRIMP TOOL | DIE SET | STOP BUSHING |         |           |              |           |                |        |              |        |              |          |              |        |          |          | INSERTION TOOL | EXTRACTION TOOL |      |
|                     |               | ACCOMMODATES |            |             |            |      |         |  |            |         |              |         |           |              |           |                |        |              |        |              |          |              |        |          |          |                |                 |      |
| LRM16M-9            | P             | 16           | BLUE       | 16          | BLUE       | .038 | .057    | REGULAR GRADE THERMOCOUPLE WIRE PER MIL-W-5846 TYPE I, CLASS D,E |            |         |              |         | I         | .905         | .0625     |                | 9/32   |              | .067   |              |          |              |        |          | .296     | .220           |                 |      |
| LRC16M-9            | S             | 16           | BLUE       | 16          | BLUE       | #20  | #16     |  |            |         |              | III     | .844      |              | .113/.110 |                | 9/32   |              | .067   |              |          |              |        |          |          | .296           | .220            |      |
| LRM16M-10           | P             | 16           | BLUE       | 16          | BLUE       | .038 | .057    | THERMOCOUPLE WIRE PER MIL-W-5845 TYPE I, CLASS D,E               |            |         |              |         | I         | .905         | .0625     |                | 9/32   |              | .067   |              |          |              |        |          |          | .296           | .220            |      |
| LRC16M-10           | S             | 16           | BLUE       | 16          | BLUE       | #20  | #16     |  |            |         |              | III     | .844      |              | .113/.110 |                | 9/32   |              | .067   |              |          |              |        |          |          | .296           | .220            |      |
| LRM16M-11           | P             | 16           | BLUE       | 16          | BLUE       | .038 | .057    | THERMOCOUPLE WIRE PER MIL-W-5845 TYPE I, CLASS D,E               |            | S7      | SL2          | RTM16-2 | RX16-7    | I            | .905      | .0625          |        | 9/32         |        | .067         |          |              |        |          |          |                | .296            | .220 |
| LRC16M-11           | S             | 16           | BLUE       | 16          | BLUE       | #20  | #16     |  |            |         |              | III     | .844      |              | .113/.110 |                | 9/32   |              | .067   |              |          |              |        |          |          | .296           | .220            |      |
| LRM16M-12           | P             | 16           | BLUE       | 16          | BLUE       | .038 | .057    | THERMOCOUPLE WIRE PER MIL-W-5845 TYPE I, CLASS D,E               |            |         |              |         | I         | .905         | .0625     |                | 9/32   |              | .067   |              |          |              |        |          |          | .296           | .220            |      |
| LRC16M-12           | S             | 16           | BLUE       | 16          | BLUE       | #20  | #16     |  |            |         |              | III     | .844      |              | .113/.110 |                | 9/32   |              | .067   |              |          |              |        |          |          | .296           | .220            |      |
| LRM20W-9            | P             | 20           | RED        | 20          | RED        | .024 | .038    | REGULAR GRADE THERMOCOUPLE WIRE PER MIL-W-5846 TYPE I, CLASS D,E |            |         |              |         | II        | .915         | .040      |                | 7/32   |              | .049   |              |          |              |        |          |          | .306           | .246            |      |
| LRC20W-9            | S             | 20           | RED        | 20          | RED        | #24  | #20     |  |            |         |              | IV      | .854      |              | .078/.076 |                | 7/32   |              | .049   |              |          |              |        |          |          | .306           | .246            |      |
| LRM20W-10           | P             | 20           | RED        | 20          | RED        | .024 | .038    | THERMOCOUPLE WIRE PER MIL-W-5845 TYPE I, CLASS D,E               |            | S6A     | SL-3A        | RTM20-5 | RX20-24V3 | II           | .915      | .040           |        | 7/32         |        | .049         |          |              |        |          |          |                | .306            | .246 |
| LRC20W-10           | S             | 20           | RED        | 20          | RED        | #24  | #20     |  |            |         |              | IV      | .854      |              | .078/.076 |                | 7/32   |              | .049   |              |          |              |        |          |          | .306           | .246            |      |
| LRM20W-11           | P             | 20           | RED        | 20          | RED        | .024 | .038    | THERMOCOUPLE WIRE PER MIL-W-5845 TYPE I, CLASS D,E               |            |         |              |         | II        | .915         | .040      |                | 7/32   |              | .049   |              |          |              |        |          |          | .306           | .246            |      |
| LRC20W-11           | S             | 20           | RED        | 20          | RED        | #24  | #20     |  |            |         |              | IV      | .854      |              | .078/.076 |                | 7/32   |              | .049   |              |          |              |        |          |          | .306           | .246            |      |
| LRM20W-12           | P             | 20           | RED        | 20          | RED        | .024 | .038    | THERMOCOUPLE WIRE PER MIL-W-5845 TYPE I, CLASS D,E               |            |         |              |         | II        | .915         | .040      |                | 7/32   |              | .049   |              |          |              |        |          |          | .306           | .246            |      |
| LRC20W-12           | S             | 20           | RED        | 20          | RED        | #24  | #20     |  |            |         |              | IV      | .854      |              | .078/.076 |                | 7/32   |              | .049   |              |          |              |        |          |          | .306           | .246            |      |

NOTES:  
 ▲ GREEN DENOTES ALUMEL  
 ▲ WHITE DENOTES CHROMEL  
 ▲ YELLOW DENOTES CONSTANTAN  
 ▲ BLACK DENOTES IRON  
 THERMOCOUPLE CONTACTS ONLY

▲ WEEP HOLE ON LRC16M-11 AND LRC20W-11 ONLY.

▲ CONSULT FACTORY FOR AVAILABILITY.

FSCM NO. 09922

THERMOCOUPLE CONTACTS  
 BANTAM PIN AND SOCKET CONTACTS

CAT. NO. LRM/LRC (TABLE) SCALE

DRAWN RJR2 10-29-70 CHECKED RWB 11-6-70  
 DES. APPROV. 11-13-70 C.B.  
 PROD. APPROV. 11-13-70

**BURNDY**  
 NORWALK, CONN. 06852

DRAWING NO. REV.  
**SD7117S13**

SHEET 2 OF 2  
 DOB-1069

Компания «Life Electronics» занимается поставками электронных компонентов импортного и отечественного производства от производителей и со складов крупных дистрибьюторов Европы, Америки и Азии.

С конца 2013 года компания активно расширяет линейку поставок компонентов по направлению коаксиальный кабель, кварцевые генераторы и конденсаторы (керамические, пленочные, электролитические), за счёт заключения дистрибьюторских договоров

Мы предлагаем:

- Конкурентоспособные цены и скидки постоянным клиентам.
- Специальные условия для постоянных клиентов.
- Подбор аналогов.
- Поставку компонентов в любых объемах, удовлетворяющих вашим потребностям.
- Приемлемые сроки поставки, возможна ускоренная поставка.
- Доставку товара в любую точку России и стран СНГ.
- Комплексную поставку.
- Работу по проектам и поставку образцов.
- Формирование склада под заказчика.
- Сертификаты соответствия на поставляемую продукцию (по желанию клиента).
- Тестирование поставляемой продукции.
- Поставку компонентов, требующих военную и космическую приемку.
- Входной контроль качества.
- Наличие сертификата ISO.

В составе нашей компании организован Конструкторский отдел, призванный помогать разработчикам, и инженерам.

Конструкторский отдел помогает осуществить:

- Регистрацию проекта у производителя компонентов.
- Техническую поддержку проекта.
- Защиту от снятия компонента с производства.
- Оценку стоимости проекта по компонентам.
- Изготовление тестовой платы монтаж и пусконаладочные работы.



Тел: +7 (812) 336 43 04 (многоканальный)

Email: [org@lifeelectronics.ru](mailto:org@lifeelectronics.ru)