

GENERAL DESCRIPTION

The XRT73L02M is a two-channel fully integrated Line Interface Unit (LIU) for E3/DS3/STS-1 applications. It incorporates independent Receivers, Transmitters in a single 100 pin TQFP package.

The XRT73L02M can be configured to operate in either E3 (34.368 MHz), DS3 (44.736 MHz) or STS-1 (51.84 MHz) modes. The transmitter can be turned off or tri-stated for redundancy support and for conserving power.

The XRT73L02M's differential receiver provides high noise interference margin and is able to receive the data over 1000 feet of cable or with up to 12 dB of cable attenuation.

The XRT73L02M provides both Serial Microprocessor Interface as well as Hardware mode for programming and control.

The XRT73L02M supports local, remote and digital loop-backs. The XRT73L02M also contains an on-board Pseudo Random Binary Sequence (PRBS) generator and detector with the ability to insert and detect single bit error.

FEATURES

RECEIVER:

- On chip Clock and Data Recovery circuit for high input jitter tolerance.
- Meets the jitter tolerance requirements as specified in ITU-T G.823_1993 for E3 and Telcordia GR-499-CORE for DS3 applications.
- Detects and Clears LOS as per G.775.
- Receiver Monitor mode handles up to 20 dB flat loss with 6 dB cable attenuation.
- On chip B3ZS/HDB3 encoder and decoder that can either be enabled or disabled.
- On-chip clock synthesizer generates the appropriate rate clock from a single frequency XTAL.

- Provides low jitter clock outputs for either DS3, E3 or STS-1 rates.
- On-chip clock synthesizer provides the appropriate rate clock from a single 12.288 MHz Clock.
- Provides low jitter output clock.

TRANSMITTER:

- Compliant with Bellcore GR-499, GR-253 and ANSI T1.102 Specification for transmit pulse
- Tri-state Transmit output capability for redundancy applications
- Transmitter can be turned on or off.

CONTROL AND DIAGNOSTICS:

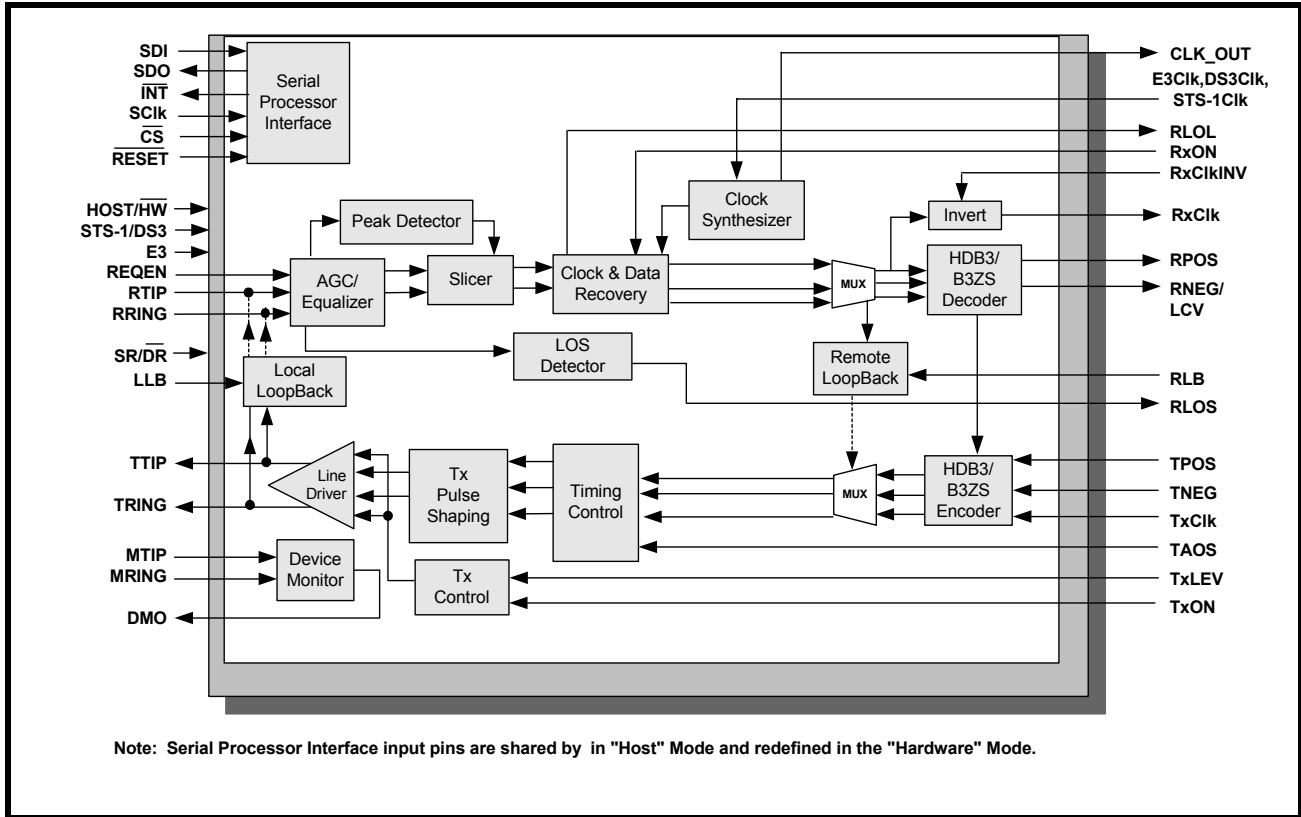
- 5 wire Serial Microprocessor Interface for control and configuration.
- Supports optional internal Transmit Driver Monitoring.
- PRBS error counter register to accumulate errors.
- Hardware Mode for control and configuration.
- Supports Local, Remote and Digital Loop-backs.
- Single 3.3 V \pm 5% power supply.
- 5 V Tolerant I/O.
- Available in 100 pin TQFP.
- -40°C to 85°C Industrial Temperature Range.

APPLICATIONS

- E3/DS3 Access Equipment.
- STS1-SPE to DS3 Mapper.
- DSLAMs.
- Digital Cross Connect Systems.
- CSU/DSU Equipment.
- Routers.
- Fiber Optic Terminals.

TWO CHANNEL E3/DS3/STS-1 LINE INTERFACE UNIT

FIGURE 1. BLOCK DIAGRAM OF THE XRT 73L02M



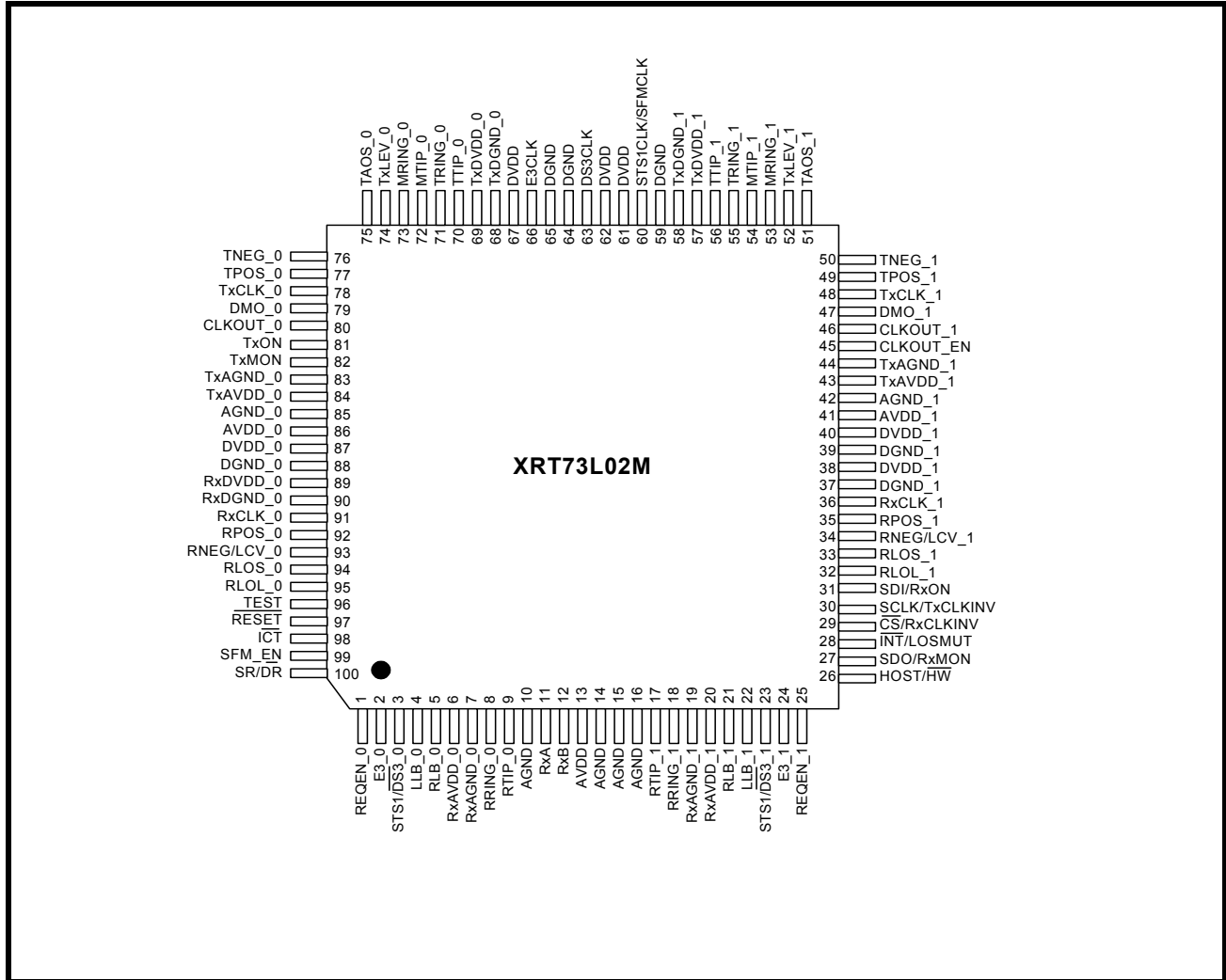
TRANSMIT INTERFACE CHARACTERISTICS

- Accepts either Single-Rail or Dual-Rail data from Terminal Equipment and generates a bipolar signal to the line
- Integrated Pulse Shaping Circuit.
- Built-in B3ZS/HDB3 Encoder (which can be disabled).
- Accepts Transmit Clock with duty cycle of 30%-70%.
- Generates pulses that comply with the ITU-T G.703 pulse template for E3 applications.
- Generates pulses that comply with the DSX-3 pulse template, as specified in Bellcore GR-499-CORE and ANSI T1.102_1993.
- Generates pulses that comply with the STSX-1 pulse template, as specified in Bellcore GR-253-CORE.
- Transmitter can be turned off in order to support redundancy designs.

RECEIVE INTERFACE CHARACTERISTICS

- Integrated Adaptive Receive Equalization for optimal Clock and Data Recovery.
- Declares and Clears the LOS defect per ITU-T G.775 requirements for E3 and DS3 applications.
- Meets Jitter Tolerance Requirements, as specified in ITU-T G.823_1993 for E3 Applications.
- Meets Jitter Tolerance Requirements, as specified in Bellcore GR-499-CORE for DS3 Applications.
- Declares Loss of Signal (LOS) and Loss of Lock (LOL) Alarms.
- Built-in B3ZS/HDB3 Decoder (which can be disabled).
- Recovered Data can be muted while the LOS Condition is declared.
- Outputs either Single-Rail or Dual-Rail data to the Terminal Equipment.

FIGURE 2. PIN OUT OF THE XRT73L02M



ORDERING INFORMATION

PART NUMBER	PACKAGE	OPERATING TEMPERATURE RANGE
XRT73L02MIV	14mm x 14mm 100 Pin TQFP	-40 °C to +85 °C

TABLE OF CONTENTS

GENERAL DESCRIPTION	1
FEATURES	1
APPLICATIONS	1
Figure 1. Block Diagram of the XRT73L02M	2
TRANSMIT INTERFACE CHARACTERISTICS	2
RECEIVE INTERFACE CHARACTERISTICS	2
Figure 2. Pin Out of the XRT73L02M	3
ORDERING INFORMATION	3
TABLE OF CONTENTS	I
PIN DESCRIPTIONS (BY FUNCTION)	4
TRANSMIT INTERFACE	4
RECEIVE INTERFACE	6
CLOCK INTERFACE	9
OPERATING MODE SELECT	10
CONTROL AND ALARM INTERFACE	14
ANALOG POWER AND GROUND	15
DIGITAL POWER AND GROUND	16
1.0 ELECTRICAL CHARACTERISTICS	17
TABLE 1: ABSOLUTE MAXIMUM RATINGS	17
TABLE 2: DC ELECTRICAL CHARACTERISTICS:	17
2.0 TIMING CHARACTERISTICS	18
Figure 3. Typical interface between terminal equipment and the XRT73L02M (dual-rail data)	18
Figure 4. Transmitter Terminal Input Timing	18
Figure 5. Receiver Data output and code violation timing	19
Figure 6. Transmit Pulse Amplitude test circuit for E3, DS3 and STS-1 Rates	20
3.0 LINE SIDE CHARACTERISTICS:	20
3.1 E3 LINE SIDE PARAMETERS:	20
Figure 7. Pulse Mask for E3 (34.368 mbits/s) interface as per itu-t G.703	20
TABLE 3: E3 TRANSMITTER LINE SIDE OUTPUT AND RECEIVER LINE SIDE INPUT SPECIFICATIONS	21
Figure 8. Bellcore GR-253 CORE Transmit Output Pulse Template for SONET STS-1 Applications	22
TABLE 4: STS-1 PULSE MASK EQUATIONS	22
TABLE 5: STS-1 TRANSMITTER LINE SIDE OUTPUT AND RECEIVER LINE SIDE INPUT SPECIFICATIONS (GR-253) ..	23
Figure 9. Transmit Output Pulse Template for DS3 as per Bellcore GR-499	23
TABLE 6: DS3 PULSE MASK EQUATIONS	24
TABLE 7: DS3 TRANSMITTER LINE SIDE OUTPUT AND RECEIVER LINE SIDE INPUT SPECIFICATIONS (GR-499)	24
Figure 10. Microprocessor Serial Interface Structure	25
Figure 11. Timing Diagram for the Microprocessor Serial Interface	25
TABLE 8: MICROPROCESSOR SERIAL INTERFACE TIMINGS (TA = 250C, VDD=3.3V± 5% AND LOAD = 10PF)	26
FUNCTIONAL DESCRIPTION:	27
4.0 The Transmitter Section:	27
Figure 12. Single-Rail or NRZ Data Format (Encoder and Decoder are Enabled)	27
Figure 13. Dual-Rail Data Format (encoder and decoder are disabled)	27
4.0.1 Transmit Clock:	28
4.0.2 B3ZS/HDB3 Encoder:	28
Figure 14. B3ZS Encoding Format	28
4.0.3 Transmit Pulse Shaper:	29
Figure 15. HDB3 Encoding Format	29
4.0.4 Transmit Drive Monitor:	30
4.0.5 Transmitter Section On/Off:	30
Figure 16. Transmit Driver Monitor set-up.	30
5.0 The Receiver Section:	31
5.0.1 AGC/Equalizer:	31

Figure 17. Interference Margin Test Set up for DS3/STS-1	32
Figure 18. Interference Margin Test Set up for E3.	32
TABLE 9: INTERFERENCE MARGIN TEST RESULTS	32
5.0.2 Clock and Data Recovery:	33
5.0.3 B3ZS/HDB3 Decoder:	33
5.0.4 LOS (Loss of Signal) Detector:	34
DISABLING ALOS/DLOS DETECTION:	34
TABLE 10: THE ALOS (ANALOG LOS) DECLARATION AND CLEARANCE THRESHOLDS FOR A GIVEN SETTING OF LOSTHR AND REQEN (DS3 AND STS-1 APPLICATIONS)	34
Figure 19. Loss Of Signal Definition for E3 as per ITU-T G.775	35
Figure 20. Loss of Signal Definition for E3 as per ITU-T G.775.	35
6.0 Jitter:	36
6.0.1 Jitter Tolerance - Receiver:	36
Figure 21. Jitter Tolerance Measurements	36
Figure 22. Input Jitter Tolerance For DS3/STS-1	37
Figure 23. Input Jitter Tolerance for E3	37
6.0.2 Jitter Transfer - Receiver/Transmitter:	38
TABLE 11: JITTER AMPLITUDE VERSUS MODULATION FREQUENCY (JITTER TOLERANCE)	38
TABLE 12: JITTER TRANSFER SPECIFICATION/REFERENCES	38
TABLE 13: JITTER TRANSFER PASS MASKS	39
Figure 24. Jitter Transfer Requirements and Jitter Attenuator Performance	39
6.1.1 Jitter Generation:	40
7.0 Serial Host interface:	40
TABLE 14: FUNCTIONS OF SHARED PINS	40
TABLE 15: REGISTER MAP AND BIT NAMES	40
TABLE 16: REGISTER MAP DESCRIPTION - GLOBAL	41
TABLE 17: REGISTER MAP AND BIT NAMES - CHANNEL 0 REGISTERS	42
TABLE 18: REGISTER MAP AND BIT NAMES - CHANNEL 1 REGISTERS	42
TABLE 20: REGISTER MAP DESCRIPTION	43
8.0 Diagnostic Features:	47
8.1 PRBS GENERATOR AND DETECTOR:	47
8.2 LOOPBACKS:	48
8.2.1 ANALOG LOOPBACK:	48
Figure 25. PRBS MODE	48
8.2.2 DIGITAL LOOPBACK:	49
Figure 26. Analog Loopback	49
8.2.3 REMOTE LOOPBACK:	50
Figure 27. Digital Loopback	50
8.3 TRANSMIT ALL ONES (TAOS):	51
Figure 28. Remote Loopback	51
Figure 29. Transmit All Ones (TAOS)	51
APPENDIX	52
Figure 30. EVALUATION BOARD SCHEMATICS	52
Figure 31. Evaluation Board Schematics	53
ORDERING INFORMATION	54
PACKAGE DIMENSIONS - 14x20 MM, 100PIN PACKAGE	54
REVISIONS	55

PIN DESCRIPTIONS (BY FUNCTION)

TRANSMIT INTERFACE

PIN #	SIGNAL NAME	TYPE	DESCRIPTION															
81	TxON	I	<p>Transmitter ON Input : This pin is active only when the corresponding TxON bit is set. Table below shows the status of the transmitter based on the TxON bit and TxON pin settings.</p> <table border="1" style="margin-left: auto; margin-right: auto;"> <thead> <tr> <th>Bit</th> <th>Pin</th> <th>Transmitter Status</th> </tr> </thead> <tbody> <tr> <td>0</td> <td>0</td> <td>OFF</td> </tr> <tr> <td>0</td> <td>1</td> <td>OFF</td> </tr> <tr> <td>1</td> <td>0</td> <td>OFF</td> </tr> <tr> <td>1</td> <td>1</td> <td>ON</td> </tr> </tbody> </table> <p>NOTES:</p> <ol style="list-style-type: none"> 1. This pin will be active and can control the TTIP and TRING outputs only when the TxON_n bits in the channel register are set . 2. When Transmitters are turned off the TTIP and TRING outputs are Tri-stated. 3. This pin is internally pulled up. 	Bit	Pin	Transmitter Status	0	0	OFF	0	1	OFF	1	0	OFF	1	1	ON
Bit	Pin	Transmitter Status																
0	0	OFF																
0	1	OFF																
1	0	OFF																
1	1	ON																
78 48	TxCLK_0 TxCLK_1	I	<p>Transmit Clock Input for TPOS and TNEG - Channel 0: Transmit Clock Input for TPOS and TNEG - Channel 1: The frequency accuracy of this input clock must be of nominal bit rate ± 20 ppm. The duty cycle can be 30%-70%. By default, input data is sampled on the falling edge of TxCLK when input data is changing on the rising edge of TxCLK..</p>															
76 50	TNEG_0 TNEG_1	I	<p>Transmit Negative Data Input - Channel 0: Transmit Negative Data Input - Channel 1: In Dual-rail mode, these pins are sampled on the falling or rising edge of TxCLK_n NOTE: These input pins are ignored and must be grounded if the Transmitter Section is configured to accept Single-Rail data from the Terminal Equipment.</p>															
77 49	TPOS_0 TPOS_1	I	<p>Transmit Positive Data Input - Channel 0: Transmit Positive Data Input - Channel 1: By default sampled on the falling edge of TxCLK</p>															
70 56	TTIP_0 TTIP_1	O	<p>Transmit TTIP Output - Channel 0: Transmit TTIP Output - Channel 1: These pins along with TRING transmit bipolar signals to the line using a 1:1 transformer.</p>															
71 55	TRING_0 TRING_1	O	<p>Transmit Ring Output - Channel 0: Transmit Ring Output - Channel 1: These pins along with TTIP transmit bipolar signals to the line using a 1:1 transformer.</p>															

TRANSMIT INTERFACE

PIN #	SIGNAL NAME	TYPE	DESCRIPTION
30	TxCiKINV/ SCiK	I	<p>Hardware Mode: Transmit Clock Invert</p> <p>Host Mode: Serial Clock Input:</p> <p>Function of this pin depends on whether the XRT73L02M is configured to operate in Hardware mode or Host mode.</p> <p>In Hardware mode, setting this input pin "High" configures all the Transmitters to sample the TPOS_n and TNEG_n data on the rising edge of the TxClk_n .</p> <p>NOTES:</p> <ol style="list-style-type: none"> If the XRT73L02M is configured in HOST mode, this pin functions as SCiK input pin (please refer to the pin description for Microprocessor interface).
82	TxMON	I	<p>Transmitter Monitor:</p> <p>When this pin is pulled "High", MTIP and MRING are connected internally to TTIP and TRING and allows self monitoring of the transmitter.</p>
74 52	TxLEV_0 TxLEV_1	I	<p>Transmit Line Build-Out Enable/Disable Select - Channel 0:</p> <p>Transmit Line Build-Out Enable/Disable Select - Channel 1:</p> <p>These input pins select the Transmit Line Build-Out circuit.</p> <p>Setting these pins to "High" disables the Line Build-Out circuit of Channel n. In this mode, Channel n outputs partially-shaped pulses onto the line via the TTIP_n and TRing_n output pins.</p> <p>Setting these pins to "Low" enables the Line Build-Out circuit of Channel n. In this mode, Channel n outputs shaped pulses onto the line via the TTIP_n and TRing_n output pins.</p> <p>To comply with the Isolated DSX-3/STSX-1 Pulse Template Requirements per Bellcore GR-499-CORE or Bellcore GR-253-CORE:</p> <ol style="list-style-type: none"> Set these pins to "1" if the cable length between the Cross-Connect and the transmit output of Channel is greater than 225 feet. Set these pins to "0" if the cable length between the Cross-Connect and the transmit output of Channel is less than 225 feet. <p>These pins are active only if the following two conditions are true:</p> <ol style="list-style-type: none"> The XRT73L02M is configured to operate in either the DS3 or SONET STS-1 Modes. The XRT73L02M is configured to operate in the Hardware Mode. <p>NOTES:</p> <ol style="list-style-type: none"> These pins are internally pulled down. If the XRT73L02M is configured in HOST mode, these pins should be tied to GND.

TRANSMIT INTERFACE

PIN #	SIGNAL NAME	TYPE	DESCRIPTION
75 51	TAOS_0 TAOS_1	I	<p>Transmit All Ones Select - Channel 0:</p> <p>Transmit All Ones Select - Channel 1:</p> <p>A "High" on this pin causes the Transmitter Section of Channel_n to generate and transmit a continuous AMI all "1's" pattern onto the line. The frequency of this "1's" pattern is determined by TxClk_n.</p> <p>NOTES:</p> <ol style="list-style-type: none"> 1. This input pin is ignored if the XRT73L02M is operating in the HOST Mode and should be tied to GND. 2. Analog Loopback and Remote Loopback have priority over request. 3. This pin is internally pulled down.

RECEIVE INTERFACE

PIN #	SIGNAL NAME	TYPE	DESCRIPTION
1 25	REQEN_0 REQEN_1	I	<p>Receive Equalization Enable Input - Channel 0:</p> <p>Receive Equalization Enable Input - Channel 1:</p> <p>Setting this input pin "High" enables the Internal Receive Equalizer of Channel_n. Setting this pin "Low" disables the Internal Receive Equalizer.</p> <p>NOTES:</p> <ol style="list-style-type: none"> 1. This input pin is ignored and should be connected to GND if the XRT73L02M is operating in the HOST Mode 2. This pin is internally pulled down.
31	RxON/ SDI	I	<p>Hardware Mode: Receiver Turn ON Input</p> <p>Host Mode: Serial Data Input:</p> <p>Function of this pin depends on whether the XRT73L02M is configured to operate in Hardware mode or Host mode.</p> <p>In Hardware mode, setting this input pin "High" turns on and enables the Receivers of all the channels.</p> <p>NOTES:</p> <ol style="list-style-type: none"> 1. If the XRT73L02M is configured in HOST mode, this pin functions as SDI input pin (please refer to the pin description for Microprocessor Interface) 2. This pin is internally pulled down.
27	RxMON/ SDO	I	<p>Hardware Mode: Receive Monitoring Mode</p> <p>Host Mode: Serial Data Output:</p> <p>In Hardware mode, when this pin is tied "High" all 2 channels configure into monitoring channels. In the monitoring mode, the Receiver is capable of monitoring the signals with 20 dB flat loss plus 6 dB cable attenuation. This allows monitoring very weak signal before declaring LOS.</p> <p>In HOST Mode each channel can be independently configured to be a monitoring channel by setting the bits in the channel control registers.</p> <p>NOTE: If the XRT73L02M is configured in HOST mode, this pin functions as SDO pin (please refer to the pin description for the Microprocessor Interface).</p>

RECEIVE INTERFACE

PIN #	SIGNAL NAME	TYPE	DESCRIPTION
91 36	RxCLK_0 RXCLK_1	O	Receive Clock Output - Channel 0: Receive Clock Output - Channel 1: By default, RPOS and RNEG data sampled on the rising edge RxCLK.. Set the RxCLKINV bit or tie RClkINV pin "High" to sample RPOS/RNEG data on the falling edge of RxCLK
92 35	RPOS_0 RPOS_1	O	Receive Positive Data Output - Channel 0: Receive Positive Data Output - Channel 1: <i>NOTE: If the B3ZS/HDB3 Decoder is enabled in Single-rail mode, then the zero suppression patterns in the incoming line signal (such as: "00V", "000V", "B0V", "B00V") is removed and replaced with '0'.</i>
93 34	RNEG_0/LCV_0 RNEG_1/LCV_1	O	Receive Negative Data Output/Line Code Violation Indicator - Channel 0: Receive Negative Data Output/Line Code Violation Indicator - Channel 1: In Dual Rail mode, a negative pulse is output through RNEG. Line Code Violation Indicator - Channel n: If configured in Single Rail mode then Line Code Violation will be output.
8 18	RRING_0 RRING_1	I	Receive Ring Input - Channel 0: Receive Ring Input - Channel 1: These pins along with RTIP receive the bipolar line signal from the remote DS3/E3/STS-1 Terminal.
9 17	RTIP_0 RTIP_1	I	Receive TIP Input - Channel 0: Receive TIP Input - Channel 1: These pins along with RRING receive the bipolar line signal from the Remote DS3/E3/STS-1 Terminal.
29	RxCIkINV/ $\overline{\text{CS}}$	I	Hardware Mode: RxClk INVERT Host Mode: Chip Select: Function of this pin depends on whether the XRT73L02M is configured to operate in Hardware mode or Host mode. In Hardware mode, setting this input pin "High" configures the Receiver Section of all channels to invert the RxClk_n output signals and outputs the recovered data via RPOS_n and RNEG_n on the falling edge of RxClk_n. <i>NOTE: If the XRT73L02M is configured in HOST mode, this pin functions as CS input pin (please refer to the pin description for Microprocessor Interface).</i>

CLOCK INTERFACE

PIN #	SIGNAL NAME	TYPE	DESCRIPTION
66	E3CLK	I	<p>E3 Clock Input (34.368 MHz \pm 20 ppm): If any of the channels is configured in E3 mode, a reference clock 34.368 MHz is applied on this pin. NOTE: In single frequency mode, this reference clock is not required.</p>
63	DS3CLK	I	<p>DS3 Clock Input (44.736 MHz \pm 20 ppm): If any of the channels is configured in DS3 mode, a reference clock 44.736 MHz. is applied on this pin. NOTE: In single frequency mode, this reference clock is not required.</p>
60	STS-1CLK/ 12M	I	<p>STS-1 Clock Input (51.84 MHz \pm 20 ppm): If any of the channels is configured in STS-1 mode, a reference clock 51.84 MHz is applied on this pin.. In Single Frequency Mode, a reference clock of 12.288 MHz \pm 20 ppm is connected to this pin and the internal clock synthesizer generates the appropriate clock frequencies based on the configuration of the channels in E3, DS3 or STS-1.</p>
99	SFM_EN	I	<p>Single Frequency Mode Enable: Tie this pin "High" to enable the Single Frequency Mode. A reference clock of 12.288 MHz \pm 20 ppm is applied. This offers the flexibility of using a low cost reference clock and configures the board for either E3 or DS3 or STS-1 without the need to change any components on the board. Tie this pin "Low" if single frequency mode is not selected. In this case, the appropriate reference clocks must be provided. NOTE: This pin is internally pulled down</p>
80 46	CLKOUT_0 CLKOUT_1	O	<p>Clock output for channel 0 Clock output for channel 1 Low jitter clock is output for each channel based on the mode selection (E3,DS3 or STS-1) if the CLK_EN_n bit is set in the control register or CLKOUT_EN pin is tied "High". This eliminates the need for a separate clock source for the framer. NOTES: 1. The maximum drive capability for the clockouts is 16 mA.</p>
45	CLKOUT_EN	I	<p>Clock Output Enable in Single Frequency Mode: Tie this pin "High" to enable the output clocks via the CLKOUT pins.</p>

CONTROL AND ALARM INTERFACE

PIN #	SIGNAL NAME	TYPE	DESCRIPTION
73 53	MRING_0 MRING_1	I	<p>Monitor Ring Input - Channel 0: Monitor Ring Input - Channel 1:</p> <p>The bipolar line output signal from TRING_n is connected to this pin via a 270 Ω resistor to check for line driver failure.</p> <p><i>NOTE: This pin is internally pulled "High".</i></p>
72 54	MTIP_0 MTIP_1	I	<p>Monitor Tip Input - Channel 0: Monitor Tip Input - Channel 1:</p> <p>The bipolar line output signal from TTIP_n is connected to this pin via a 270-ohm resistor to check for line driver failure.</p> <p><i>NOTE: This pin is internally pulled "High".</i></p>
79 47	DMO_0 DMO_1	O	<p>Drive Monitor Output - Channel 0: Drive Monitor Output - Channel 1:</p> <p>If MTIP_n and MRING_n has no transition pulse for 128 ± 32 TxCLK_n cycles, DMO_n goes "High" to indicate the driver failure. DMO_n output stays "High" until the next AMI signal is detected.</p>
94 33	RLOS_0 RLOS_1	O	<p>Receive Loss of Signal Output Indicator - Channel 0: Receive Loss of Signal Output Indicator - Channel 1:</p> <p>This output pin toggles "High" if the receiver has detected a Loss of Signal Condition.</p> <p>The criteria for declaring /clearing an LOS Condition depends upon whether it is operating in the E3 or STS-1/DS3 Mode.</p>
95 32	RLOL_0 RLOL_1	O	<p>Receive Loss of Lock Output Indicator - Channel 0: Receive Loss of Lock Output Indicator - Channel 1:</p> <p>This output pin toggles "High" if a Loss of Lock Condition is detected. LOL (Loss of Lock) condition occurs if the recovered clock frequency deviates from the Reference Clock frequency (available at either E3CLK or DS3CLK or STS-1CLK input pins) by more than 0.5%.</p>
11	RXA	****	<p>External Resistor of 3 K Ω ± 1%.</p> <p>Should be connected between RxA and RxB for internal bias.</p>
12	RXB	****	<p>External Resistor of 3K Ω ±1%.</p> <p>Should be connected between RxA and RxB for internal bias.</p>
98	\overline{ICT}	I	<p>In-Circuit Test Input:</p> <p>Setting this pin "Low" causes all digital and analog outputs to go into a high-impedance state to allow for in-circuit testing. For normal operation, tie this pin "High".</p> <p><i>NOTE: This pin is internally pulled "High".</i></p>
96	TEST	****	<p>Factory Test Pin</p> <p><i>NOTE: This pin must be connected to GND for normal operation.</i></p>

CONTROL AND ALARM INTERFACE

28	LOSMUT/ INT	I/O	<p>Hardware Mode: MUTE-upon-LOS Enable Input</p> <p>Host Mode: Interrupt Output:</p> <p>In Hardware Mode, setting pin "High" configures all the channels to Mute the recovered data on the RPOS_n and RNEG_n whenever one of the channels declares an LOS condition. RPOS_n and RNEG_n outputs are pulled "Low".</p> <p>Muting of the output data can be configured/controlled on a per channel basis in Host Mode.</p> <p>NOTE: If the XRT73L02M is configured in HOST mode, this pin functions as INT pin (please refer to the pin description for the Microprocessor Interface).</p>															
4 22	LLB_0 LLB_1	I	<p>Local Loop-back - Channel 0:</p> <p>Local Loop-back - Channel 1:</p> <p>This input pin along with RLB_n configures different Loop-Back modes.</p> <p>A "High" on this pin with RLB_n set to "Low" configures Channel_n to operate in the Analog Local Loop-back Mode.</p> <p>A "High" on this pin with RLB_n set to "High" configures Channel_n to operate in the Digital Local Loop-back Mode.</p> <p>NOTE: This input pin is ignored and should be connected to GND if operating in the HOST Mode.</p>															
5 21	RLB_0 RLB_1	I	<p>Remote Loop-back - Channel 0:</p> <p>Remote Loop-back - Channel 1:</p> <p>This input pin along with LLB_n configures different Loop-Back modes.</p> <p>A "High" on this pin with LLB_n set to "Low" configures Channel_n to operate in the Remote Loop-back Mode.</p> <p>A "High" on this pin with LLB_n set to "High" configures Channel_n to operate in the Digital Local Loop-back Mode.</p> <table border="1" data-bbox="729 1207 1281 1449"> <thead> <tr> <th>RLB_n</th> <th>LLB_n</th> <th>Loopback Mode</th> </tr> </thead> <tbody> <tr> <td>0</td> <td>0</td> <td>Normal Operation</td> </tr> <tr> <td>0</td> <td>1</td> <td>Analog Local</td> </tr> <tr> <td>1</td> <td>0</td> <td>Remote</td> </tr> <tr> <td>1</td> <td>1</td> <td>Digital</td> </tr> </tbody> </table> <p>NOTE: This input pin is ignored and should be connected to GND when operating in the HOST Mode.</p>	RLB_n	LLB_n	Loopback Mode	0	0	Normal Operation	0	1	Analog Local	1	0	Remote	1	1	Digital
RLB_n	LLB_n	Loopback Mode																
0	0	Normal Operation																
0	1	Analog Local																
1	0	Remote																
1	1	Digital																

MODE SELECT

PIN #	SIGNAL NAME	TYPE	DESCRIPTION
2 24	E3_0 E3_1	I	<p>E3 Mode Select Input</p> <p>A "High" on this pin configures in E3 mode.</p> <p>A "Low" on this pin configures in either STS-1 or DS3 mode depending on the settings on pins 3 and 23..</p> <p>NOTES:</p> <ol style="list-style-type: none"> 1. This pin is internally pulled down 2. This pin is ignored if configured to operate in HOST mode.
3 23	STS1/ $\overline{\text{DS3}}$ _0 STS1/ $\overline{\text{DS3}}$ _1	I	<p>STS-1/DS3 Select Input</p> <p>A "High" on these pins configures in STS-1 mode.</p> <p>A "Low" on these pins configures in DS3 mode.</p> <p>These pins are ignored if the E3_n pins are set to "High".</p> <p>NOTES:</p> <ol style="list-style-type: none"> 1. This pin is internally pulled down 2. This pin is ignored if configured to operate in HOST mode.
26	HOST/ $\overline{\text{HW}}$	I	<p>Host/Hardware Mode:</p> <p>Tie this pin "High" to configure in Host mode and "Low" for Hardware mode.</p>
100	SR/ $\overline{\text{DR}}$	I	<p>Single-Rail/Dual-Rail Select:</p> <p>Setting this "High" configures both the Transmitter and Receiver to operate in Single-rail mode and also enables the B3ZS/HDB3 Encoder and Decoder. In Single-rail mode, TNEG_n pin should be grounded.</p> <p>Setting this "Low" configures both the Transmitter and Receiver to operate in Dual-rail mode and disables the B3ZS/HDB3 Encoder and Decoder.</p> <p>NOTE: This pin is internally pulled down.</p>

MICROPROCESSOR SERIAL INTERFACE - (HOST MODE)

PIN #	SIGNAL NAME	TYPE	DESCRIPTION
29	$\overline{\text{CS}}$ RxCLKINV	I	<p>Microprocessor Serial Interface - Chip Select</p> <p>Tie this "Low" to enable the communication with the Microprocessor Serial Interface.</p> <p>NOTE: If configured in Hardware Mode, this pin functions as RxClkINV.</p>
30	SCLK TxCLKINV	I	<p>Serial Interface Clock Input</p> <p>The data on the SDI pin is sampled on the rising edge of this signal. Additionally, during Read operations the Microprocessor Serial Interface updates the SDO output on the falling edge of this signal.</p> <p>NOTE: If configured in Hardware Mode, this pin functions as TxClkINV.</p>

MICROPROCESSOR SERIAL INTERFACE - (HOST MODE)

PIN #	SIGNAL NAME	TYPE	DESCRIPTION
31	SDI RxON	I	<p>Serial Data Input: Data is serially input through this pin. The input data is sampled on the rising edge of the SClk. .</p> <p>NOTES:</p> <ol style="list-style-type: none"> 1. This pin is internally pulled down 2. If configured in Hardware Mode, this pin functions as RxON.
27	SDO RxMON	I/O	<p>Serial Data Output: This pin serially outputs the contents of the specified Command Register during Read Operations. The data is updated on the falling edge of the SClk and this pin is tri-stated upon completion of data transfer.</p> <p>NOTE: If configured in Hardware Mode, this pin functions as RxMON.</p>
97	$\overline{\text{RESET}}$	I	<p>Register Reset: Setting this input pin "Low" causes to reset the contents of the Command Registers to their default settings and default operating configuration</p> <p>NOTE: This pin is internally pulled up.</p>
28	$\overline{\text{INT}}$ LOSMUT	I/O	<p>INTERRUPT Output: A transition to "Low" indicates that an interrupt has been generated. The interrupt function can be disabled by setting the interrupt enable bit to "0" in the Channel Control Register.</p> <p>NOTES:</p> <ol style="list-style-type: none"> 1. In Hardware mode, this pin functions as LOSMUT. 2. This pin will remain asserted "Low" until the interrupt is serviced.

ANALOG POWER AND GROUND

PIN #	SIGNAL NAME	TYPE	DESCRIPTION
84	TxAVDD_0	****	Transmitter Analog 3.3 V \pm 5% VDD - Channel 0
43	TxAVDD_1	****	Transmitter Analog 3.3 V \pm 5% VDD - Channel 1
83	TxAGND_0	****	Transmitter Analog GND - Channel 0
44	TxAGND_1	****	Transmitter Analog GND - Channel 1
6	RxAVDD_0	****	Receiver Analog 3.3 V \pm 5% VDD - Channel 0
20	RxAVDD_1	****	Receiver Analog 3.3 V \pm 5% VDD - Channel 1
7	RxAGND_0	****	Receiver Analog GND - Channel_0
19	RxAGND_1	****	Receive Analog GND - Channel 1
86	AVDD_0	****	Analog 3.3 V \pm 5% VDD - Channel 0
41	AVDD_1	****	Analog 3.3 V \pm 5% VDD - Channel 1
85	AGND_0	****	Analog GND - Channel 0
42	AGND_1	****	Analog GND - Channel 1
13	AVDD	****	Analog 3.3 V \pm 5% VDD

ANALOG POWER AND GROUND

PIN #	SIGNAL NAME	TYPE	DESCRIPTION
10	AGND	****	Analog GND
14	AGND	****	Analog GND
15	AGND	****	Analog GND
16	AGND	****	Analog GND

DIGITAL POWER AND GROUND

PIN #	SIGNAL NAME	TYPE	DESCRIPTION
69	TxVDD_0	****	Transmitter 3.3 V \pm 5% VDD Channel 0
57	TxVDD_1	****	Transmitter 3.3 V \pm 5% VDD Channel 1
68	TxGND_0	****	Transmitter GND - Channel 0
58	TxGND_1	****	Transmitter GND - Channel 1
89	RxDVDD_0	****	Receiver 3.3 V \pm 5% VDD - Channel 0
38	RxDVDD_1	****	Receiver 3.3 V \pm 5% VDD - Channel 1
90	RxDGND_0	****	Receiver Digital GND - Channel 0
37	RxDGND_1	****	Receiver Digital GND - Channel 1
87	DVDD_0	****	3.3 V \pm 5% VDD - Channel 0
40	DVDD_1	****	3.3 V \pm 5% VDD - Channel 188
88	DGND_0	****	Digital GND - Channel 0
39	DGND_1	****	Digital GND - Channel 1
61	DVDD	****	Digital VDD 3.3.v \pm 5%
62	DVDD	****	Digital VDD 3.3.v \pm 5%
67	DVDD	****	Digital VDD 3.3.v \pm 5%
59	DGND	****	Digital GND
64	DGND	****	Digital GND
65	DGND	****	Digital GND

1.0 ELECTRICAL CHARACTERISTICS

TABLE 1: ABSOLUTE MAXIMUM RATINGS

SYMBOL	PARAMETER	MIN	MAX	UNITS	COMMENTS
V _{DD}	Supply Voltage	-0.5	6.0	V	Note 1
V _{IN}	Input Voltage at any Pin	-0.5	5+0.5	V	Note 1
I _{IN}	Input current at any pin		100	mA	Note 1
S _{TEMP}	Storage Temperature	-65	150	°C	Note 1
A _{TEMP}	Ambient Operating Temperature	-40	85	°C	linear airflow 0 ft./min
ThetaJA	Thermal Resistance		35	°C/W	linear air flow 0ft/min
ThetaJC			6	°C/W	
M _{LEVL}	Exposure to Moisture	5		level	EIA/JEDEC JESD22-A112-A
ESD	ESD Rating	2000		V	Note 2

NOTES:

1. Exposure to or operating near the Min or Max values for extended period may cause permanent failure and impair reliability of the device.
2. ESD testing method is per MIL-STD-883D,M-3015.7

TABLE 2: DC ELECTRICAL CHARACTERISTICS:

SYMBOL	PARAMETER	MIN.	TYP.	MAX.	UNITS
DV _{DD}	Digital Supply Voltage	3.135	3.3	3.465	V
AV _{DD}	Analog Supply Voltage	3.135	3.3	3.465	V
I _{CC}	Supply current requirement	100	210	325	mA
P _{DD}	Power Dissipation		700	900	mW
V _{IL}	Input Low Voltage			0.8	V
V _{IH}	Input High Voltage	2.0		5.0	V
V _{OL}	Output Low Voltage, I _{OUT} = - 4mA			0.4	V
V _{OH}	Output High Voltage, I _{OUT} = 4 mA	2.4			V
I _L	Input Leakage Current ¹			±10	µA
C _I	Input Capacitance			10	pF
C _L	Load Capacitance			10	pF

NOTES:

1. Not applicable for pins with pull-up or pull-down resistors.
2. The Digital inputs and outputs are TTL 5V compliant.

2.0 TIMING CHARACTERISTICS

FIGURE 3. TYPICAL INTERFACE BETWEEN TERMINAL EQUIPMENT AND THE XRT73L02M (DUAL-RAIL DATA)

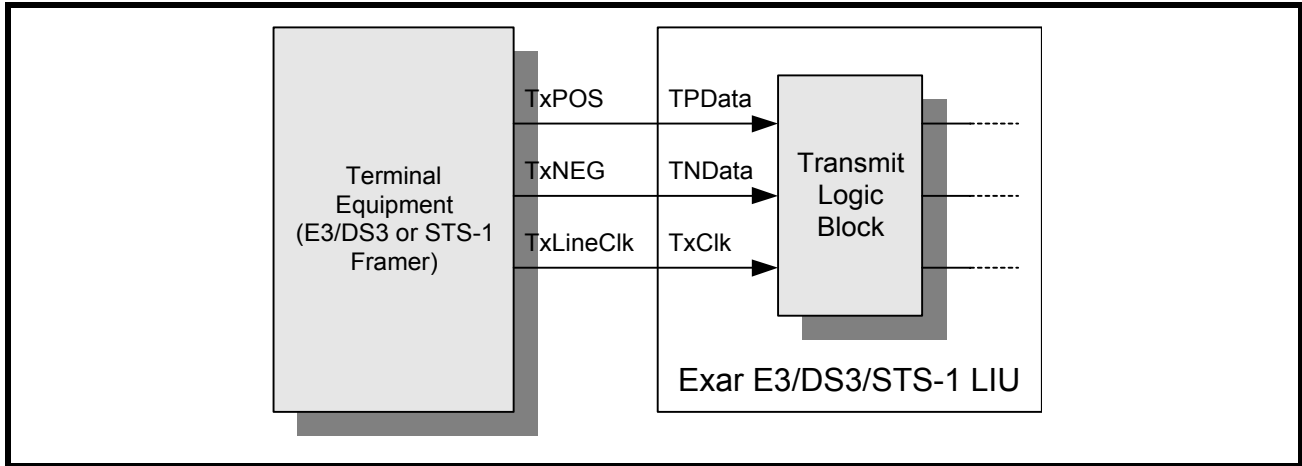
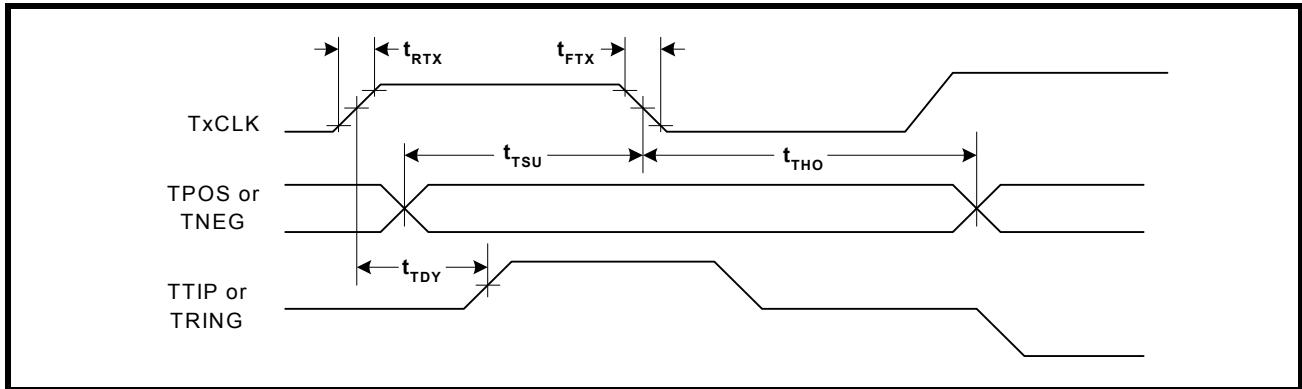
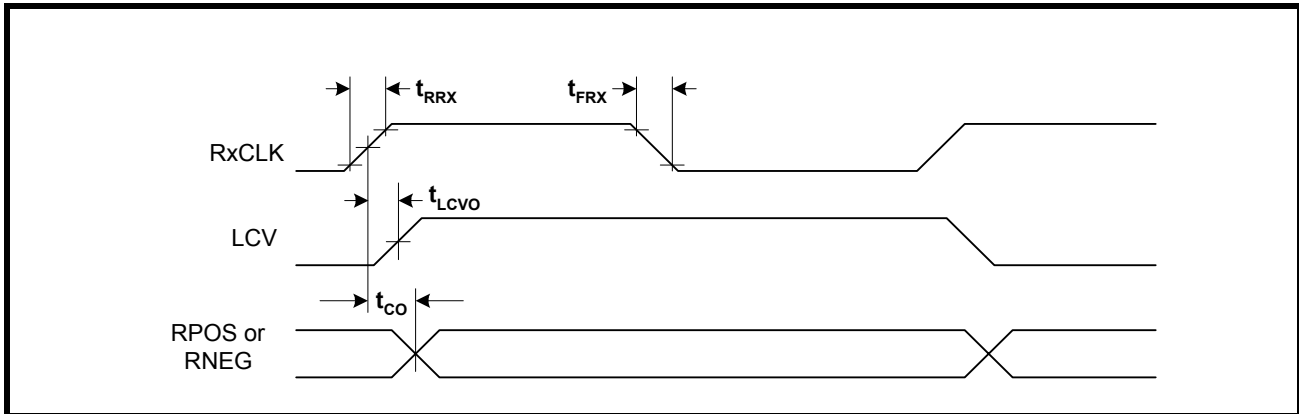


FIGURE 4. TRANSMITTER TERMINAL INPUT TIMING



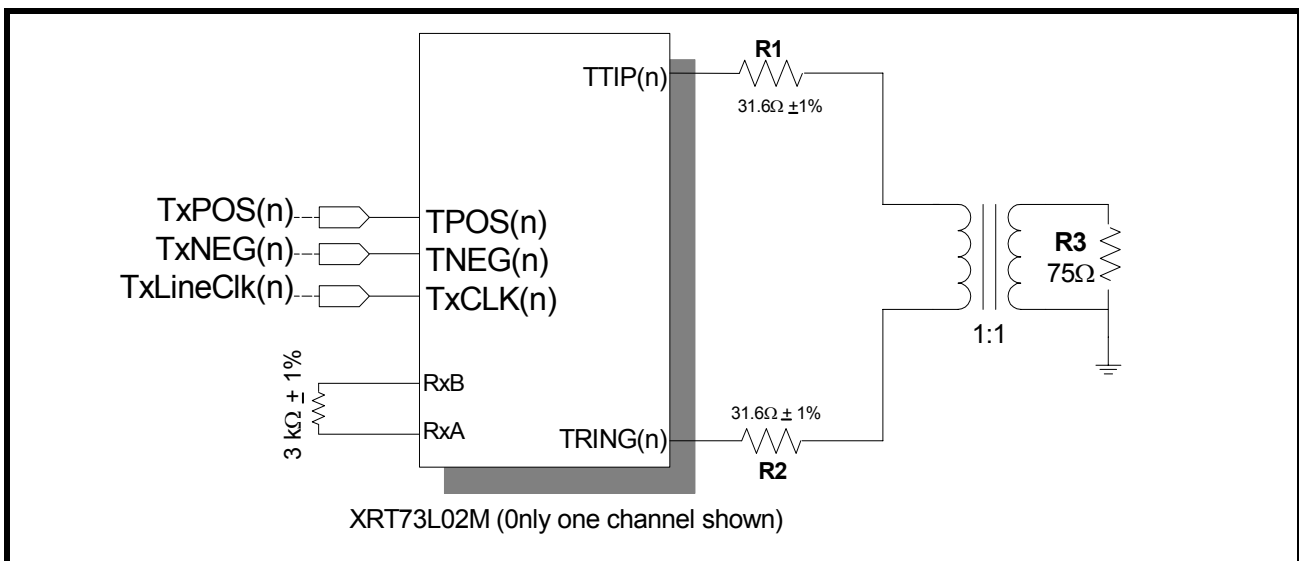
SYMBOL	PARAMETER	MIN	TYP	MAX	UNITS
TxCIk	Duty Cycle E3 DS3 STS-1	30	50 34.368 44.736 51.84	70	% MHz MHz MHz
t _{RTX}	TxCIk Rise Time (10% to 90%)			4	ns
t _{FTX}	TxCIk Fall Time (10% to 90%)			4	ns
t _{TSU}	TPOS/TNEG to TxCIk falling set up time	3			ns
t _{THO}	TPOS/TNEG to TxCIk falling hold time	3			ns
t _{TDY}	TTIP/TRING to TxCIk rising propagation delay time		8		ns

FIGURE 5. RECEIVER DATA OUTPUT AND CODE VIOLATION TIMING



SYMBOL	PARAMETER	MIN	TYP	MAX	UNITS
RxClk	Duty Cycle	45	50	55	%
	E3		34.368		MHz
	DS3		44.736		MHz
	STS-1		51.84		MHz
t_{RRX}	RxCLK rise time (10% to 90%)		2	4	ns
t_{FRX}	RxCLK falling time (10% to 90%)		2	4	ns
t_{CO}	RxCLK to RPOS/RNEG delay time			4	ns
t_{LCVO}	RxCLK to rising edge of LCV output delay		2.5		ns

FIGURE 6. TRANSMIT INTERFACE CIRCUIT FOR E3, DS3 AND STS-1 RATES



3.0 LINE SIDE CHARACTERISTICS:

defined in ITU-T G.703 for 34.368 Mbits/s is shown in Figure 7.

3.1 E3 LINE SIDE PARAMETERS:

The XRT73L02M line output at the transformer output meets the pulse shape specified in ITU-T G.703 for 34.368 Mbits/s operation. The pulse mask as speci-

FIGURE 7. PULSE MASK FOR E3 (34.368 MBITS/S) INTERFACE AS PER ITU-T G.703

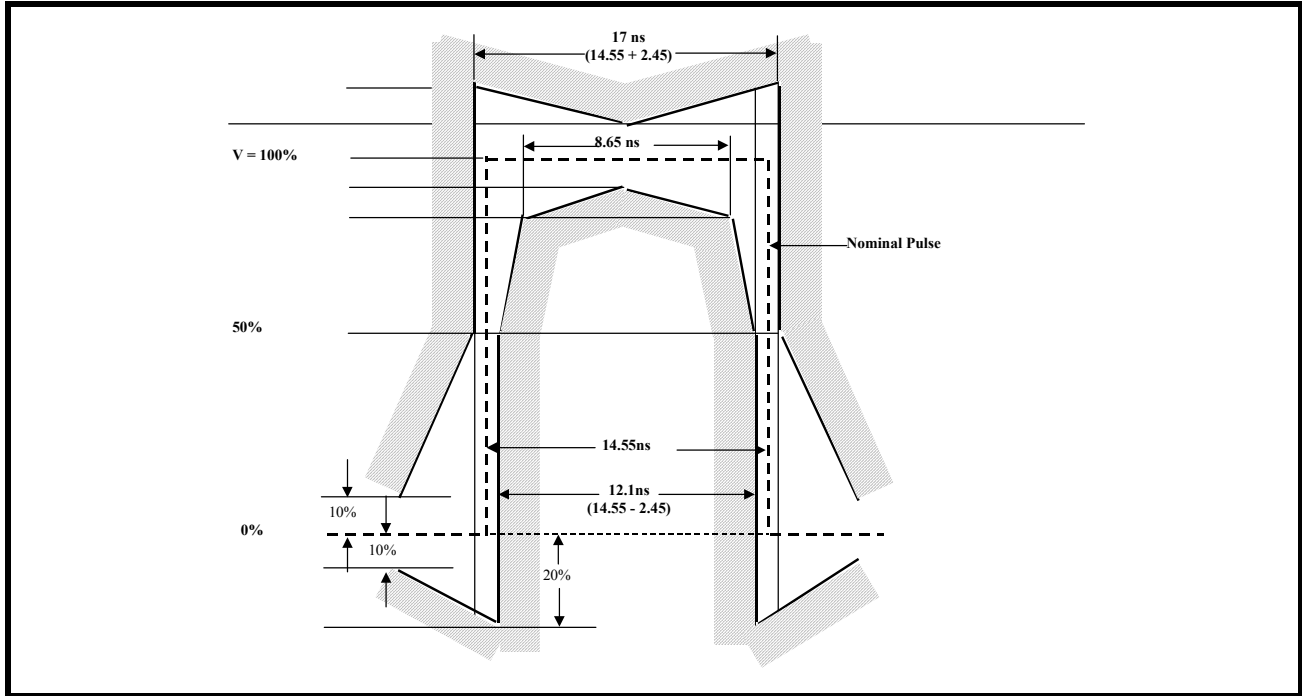


TABLE 3: E3 TRANSMITTER LINE SIDE OUTPUT AND RECEIVER LINE SIDE INPUT SPECIFICATIONS

PARAMETER	MIN	TYP	MAX	UNITS
TRANSMITTER LINE SIDE OUTPUT CHARACTERISTICS				
Transmit Output Pulse Amplitude (Measured at secondary of the transformer)	0.9	1.0	1.1	V _{pk}
Transmit Output Pulse Amplitude Ratio	0.95	1.00	1.05	
Transmit Output Pulse Width	12.5	14.55	16.5	ns
RECEIVER LINE SIDE INPUT CHARACTERISTICS				
Receiver Sensitivity (length of cable)		1200		feet
Interference Margin	-20	-16		dB
Jitter Tolerance @ Jitter Frequency 800KHz	0.15	0.30		UI _{pp}
Signal level to Declare Loss of Signal			-35	dB
Signal Level to Clear Loss of Signal	-15			dB
Occurence of LOS to LOS Declaration Time	10		255	UI
Termination of LOS to LOS Clearance Time	10		255	UI

NOTE: The above values are at

TA = 25⁰C and V_{DD} = 3.3 V ± 5%.

FIGURE 8. BELLCORE GR-253 CORE TRANSMIT OUTPUT PULSE TEMPLATE FOR SONET STS-1 APPLICATIONS

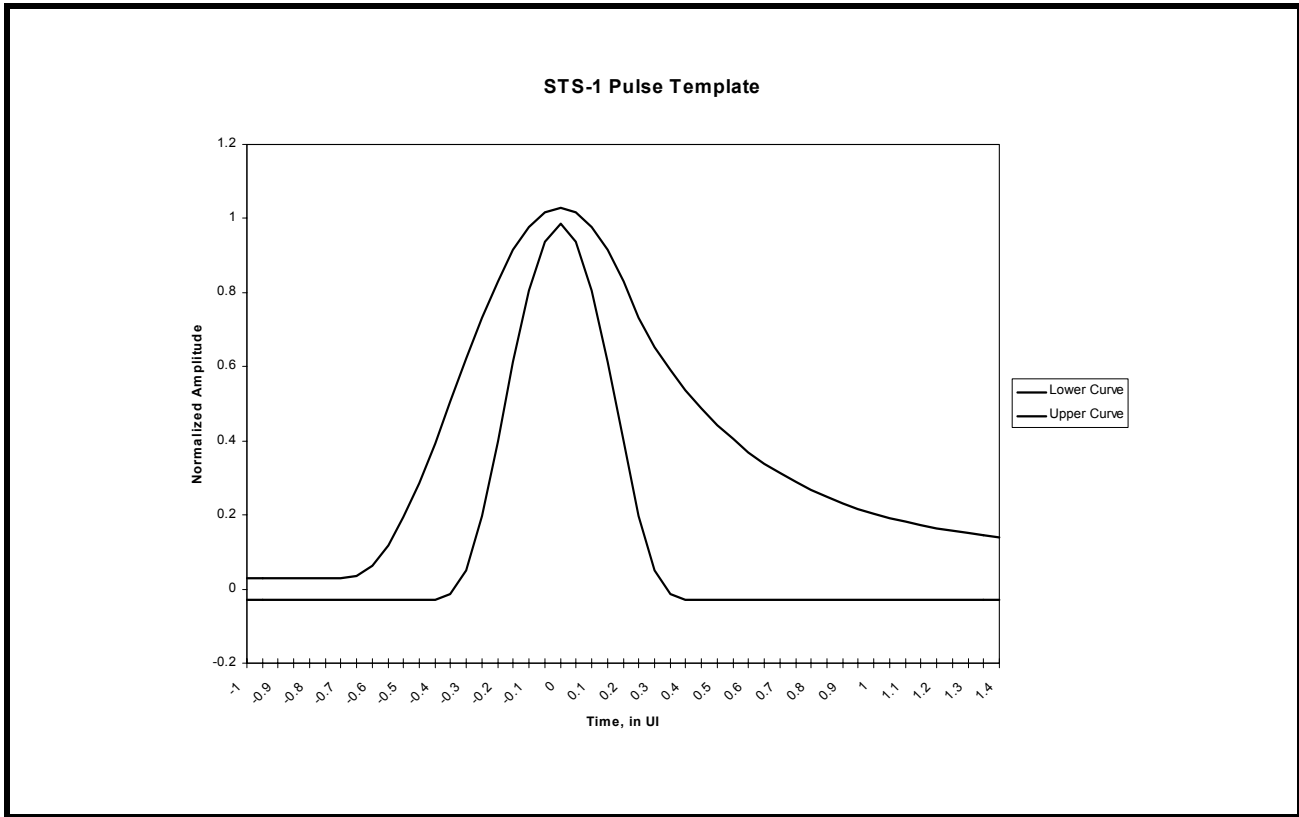


TABLE 4: STS-1 PULSE MASK EQUATIONS

TIME IN UNIT INTERVALS	NORMALIZED AMPLITUDE
LOWER CURVE	
$-0.85 \leq T \leq -0.38$	- 0.03
$-0.38 \leq T \leq 0.36$	$0.5 \left[1 + \sin \frac{\pi}{2} \left(1 + \frac{T}{0.18} \right) \right] - 0.03$
$0.36 \leq T \leq 1.4$	- 0.03
UPPER CURVE	
$-0.85 \leq T \leq -0.68$	0.03
$-0.68 \leq T \leq 0.26$	$0.5 \left[1 + \sin \frac{\pi}{2} \left(1 + \frac{T}{0.34} \right) \right] + 0.03$
$0.26 \leq T \leq 1.4$	$0.1 + 0.61 \times e^{-2.4[T-0.26]}$

TABLE 5: STS-1 TRANSMITTER LINE SIDE OUTPUT AND RECEIVER LINE SIDE INPUT SPECIFICATIONS (GR-253)

PARAMETER	MIN	TYP	MAX	UNITS
TRANSMITTER LINE SIDE OUTPUT CHARACTERISTICS				
Transmit Output Pulse Amplitude (measured with TxLEV = 0)		0.75		V _{pk}
Transmit Output Pulse Amplitude (measured with TxLEV = 1)		0.98		V _{pk}
Transmit Output Pulse Width	8.6	9.65	10.6	ns
Transmit Output Pulse Amplitude Ratio	0.9	1.0	1.1	
RECEIVER LINE SIDE INPUT CHARACTERISTICS				
Receiver Sensitivity (length of cable)	900	1100		feet
Jitter Tolerance @ Jitter Frequency 400 KHz	0.15	0.79		UI _{pp}

NOTE: The above values are at

TA = 25°C and V_{DD} = 3.3 V ± 5%.

FIGURE 9. TRANSMIT OUPUT PULSE TEMPLATE FOR DS3 AS PER BELLCORE GR-499

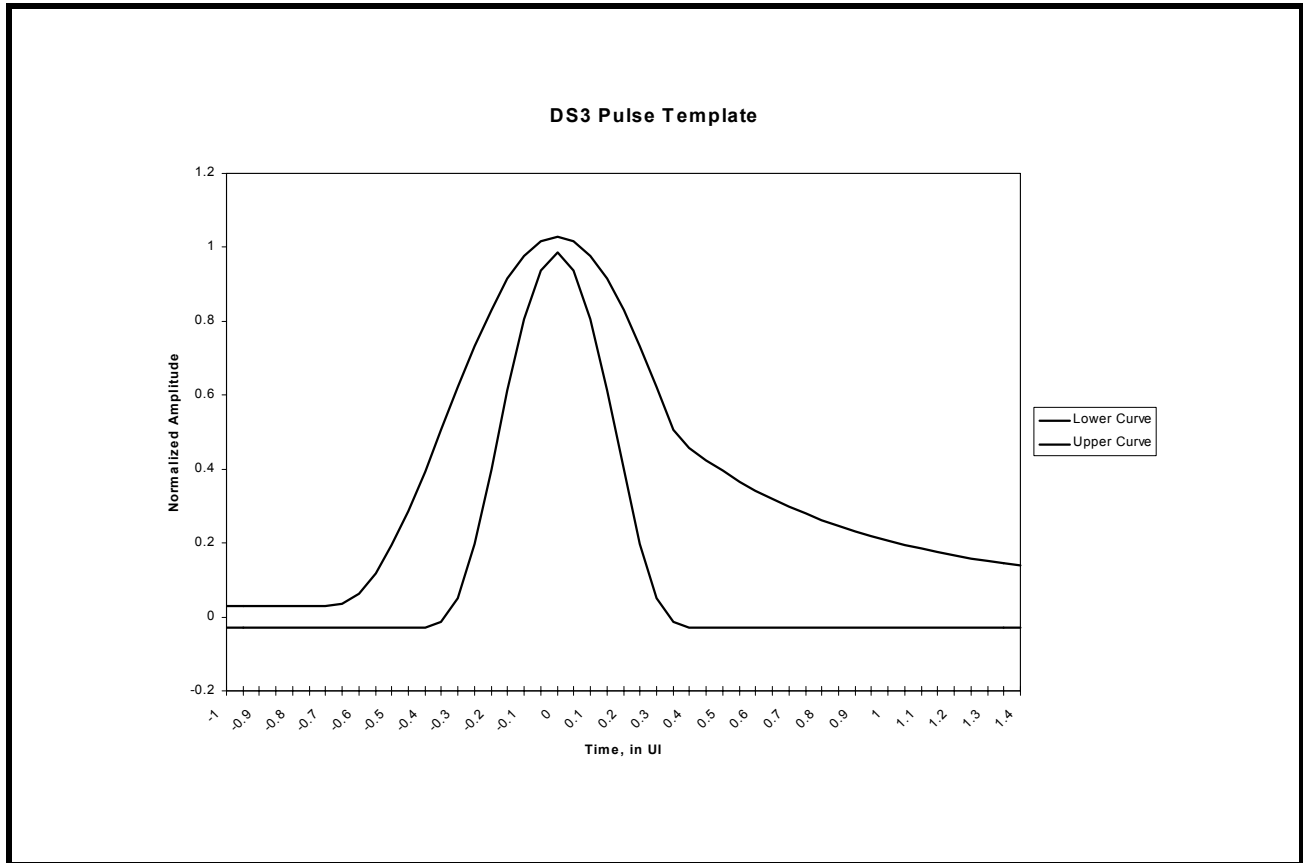


TABLE 6: DS3 PULSE MASK EQUATIONS

TIME IN UNIT INTERVALS	NORMALIZED AMPLITUDE
LOWER CURVE	
$-0.85 \leq T \leq -0.36$	- 0.03
$-0.36 \leq T \leq 0.36$	$0.5 \left[1 + \sin \frac{\pi}{2} \left(1 + \frac{T}{0.18} \right) \right] - 0.03$
$0.36 \leq T \leq 1.4$	- 0.03
UPPER CURVE	
$-0.85 \leq T \leq -0.68$	0.03
$-0.68 \leq T \leq 0.36$	$0.5 \left[1 + \sin \frac{\pi}{2} \left(1 + \frac{T}{0.34} \right) \right] + 0.03$
$0.36 \leq T \leq 1.4$	$0.08 + 0.407 \times e^{-1.84[T-0.36]}$

TABLE 7: DS3 TRANSMITTER LINE SIDE OUTPUT AND RECEIVER LINE SIDE INPUT SPECIFICATIONS (GR-499)

PARAMETER	MIN	TYP	MAX	UNITS
TRANSMITTER LINE SIDE OUTPUT CHARACTERISTICS				
Transmit Output Pulse Amplitude (measured with TxLEV = 0)		0.75		V_{pk}
Transmit Output Pulse Amplitude (measured with TxLEV = 1)		1.0		V_{pk}
Transmit Output Pulse Width	10.10	11.18	12.28	ns
Transmit Output Pulse Amplitude Ratio	0.9	1.0	1.1	
RECEIVER LINE SIDE INPUT CHARACTERISTICS				
Receiver Sensitivity (length of cable)	900	1100		feet
Jitter Tolerance @ 400 KHz (Cat II)		0.60		U_{jpp}

NOTE: The above values are at

$T_A = 25^{\circ}\text{C}$ and $V_{DD} = 3.3\text{V} \pm 5\%$.

FIGURE 10. MICROPROCESSOR SERIAL INTERFACE STRUCTURE

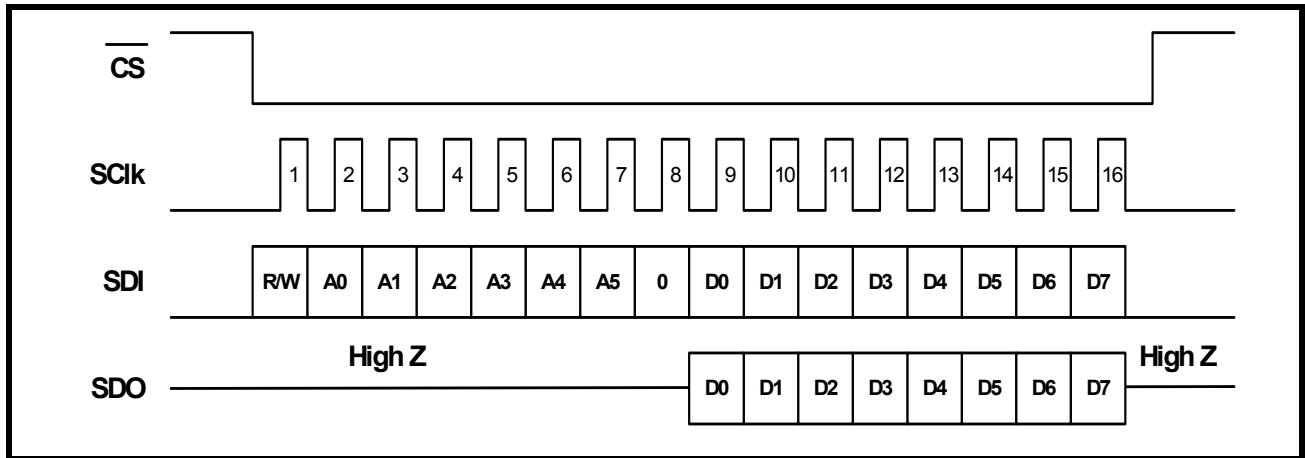


FIGURE 11. TIMING DIAGRAM FOR THE MICROPROCESSOR SERIAL INTERFACE

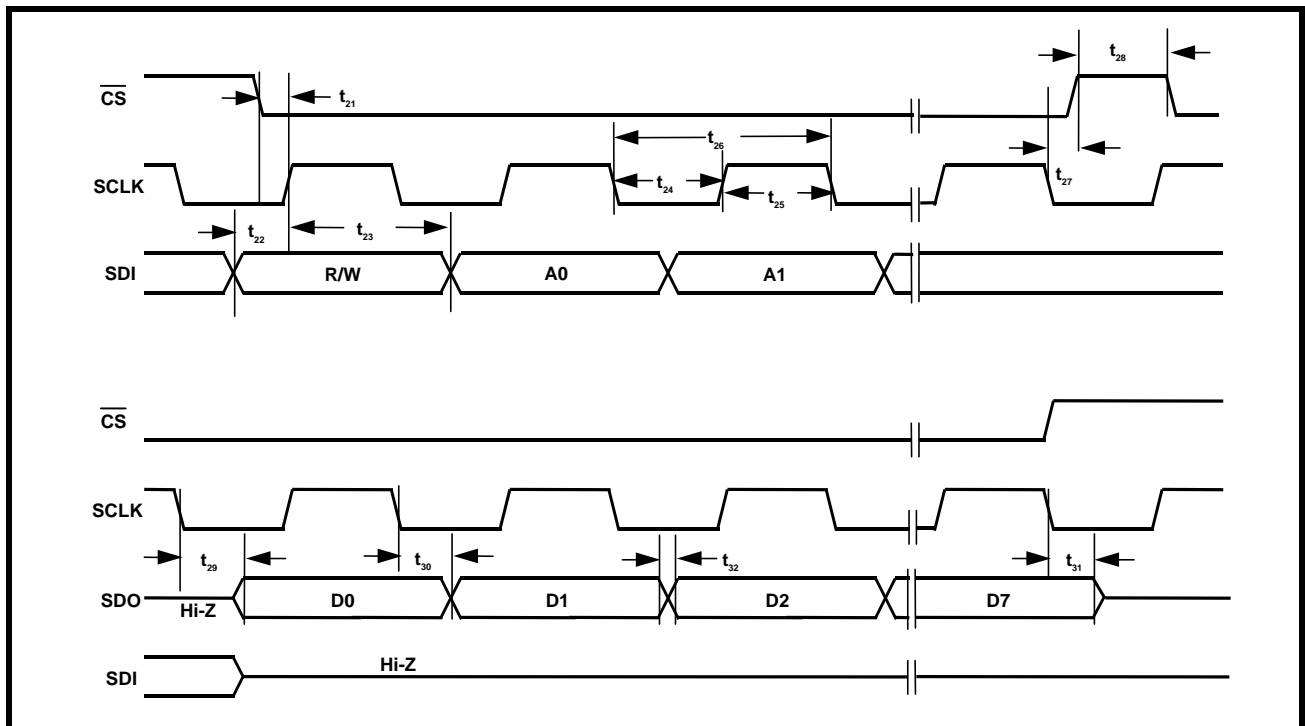


TABLE 8: MICROPROCESSOR SERIAL INTERFACE TIMINGS ($T_A = 25^{\circ}\text{C}$, $V_{DD} = 3.3\text{V} \pm 5\%$ AND LOAD = 10PF)

SYMBOL	PARAMETER	MIN.	TYP.	MAX	UNITS
t_{21}	$\overline{\text{CS}}$ Low to Rising Edge of SClk	5			ns
t_{22}	SDI to Rising Edge of SClk	5			ns
t_{23}	SDI to Rising Edge of SClk Hold Time	5			ns

TABLE 8: MICROPROCESSOR SERIAL INTERFACE TIMINGS ($T_A = 25^{\circ}\text{C}$, $V_{DD} = 3.3\text{V} \pm 5\%$ AND LOAD = 10PF)

SYMBOL	PARAMETER	MIN.	TYP.	MAX	UNITS
t_{24}	SClk "Low" Time		25		ns
t_{25}	SClk "High" Time		25		ns
t_{26}	SClk Period		50		ns
t_{27}	Falling Edge of SClk to rising edge of $\overline{\text{CS}}$	0			ns
t_{28}	$\overline{\text{CS}}$ "Inactive" Time	50			ns
t_{29}	Falling Edge of SClk to SDO Valid Time			20	ns
t_{30}	Falling Edge of SClk to SDO Invalid Time			10	ns
t_{31}	Rising edge of $\overline{\text{CS}}$ to High Z		10		ns
t_{32}	Rise/Fall time of SDO Output			5	ns

TWO CHANNEL E3/DS3/STS-1 LINE INTERFACE UNIT

REV. 1.0.0

FUNCTIONAL DESCRIPTION:

Figure 1 shows the functional block diagram of the device. Each channel can be independently configured either by Hardware Mode or by Host Mode to support E3, DS3 or STS-1 modes. A detailed operation of each section is described below.

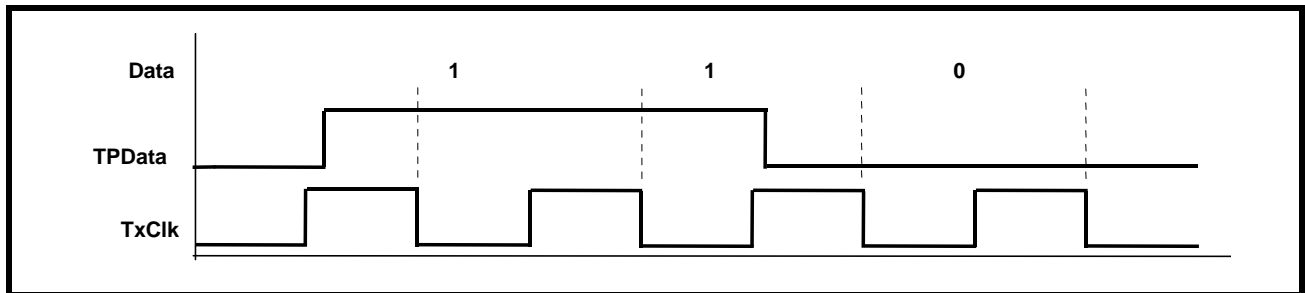
Each channel consists of the following functional blocks:

4.0 THE TRANSMITTER SECTION:

The Transmitter Section, within each Channel, accepts TTL/CMOS level signals from the Terminal Equipment in selectable data formats.

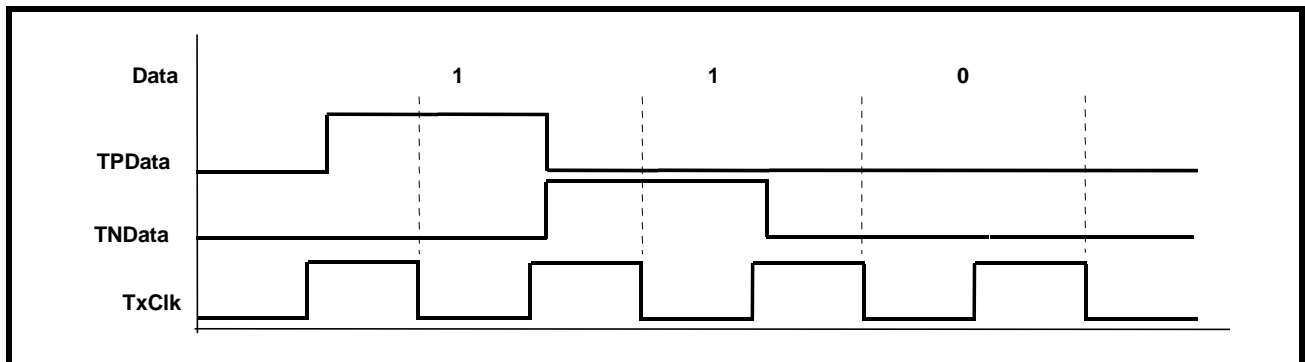
- Convert the CMOS level B3ZS or HDB3 encoded data into pulses with shapes that are compliant with the various industry standard pulse template requirements. Figures 7, 8 and 9 illustrate the pulse template requirements.
- Encode the un-encoded NRZ data into either B3ZS format (for DS3 or STS-1) or HDB3 format (for E3) and convert to pulses with shapes and width that are compliant with industry standard pulse template requirements. Figures 7, 8 and 9 illustrate the pulse template requirements.
- In Single-Rail or un-encoded Non-Return-to-Zero (NRZ) mode, data is input via TPOS_n pins while TNEG_n pins must be grounded. The NRZ or Single-Rail mode is selected when the SR/DR input pin is "High" (in Hardware Mode) or bit 0 of channel control register is "1" (in Host Mode). Figure 12 illustrates the Single-Rail or NRZ format.

FIGURE 12. SINGLE-RAIL OR NRZ DATA FORMAT (ENCODER AND DECODER ARE ENABLED)



- In Dual-Rail mode, data is input via TPOS_n and TNEG_n pins. TPOS_n contains positive data and TNEG_n contains negative data. The SR/DR input pin = "Low" (in Hardware Mode) or bit 0 of channel register = "0" (in Host Mode) enables the Dual-Rail mode. Figure 13 illustrates the Dual-Rail data format.

FIGURE 13. DUAL-RAIL DATA FORMAT (ENCODER AND DECODER ARE DISABLED)



4.0.1 TRANSMIT CLOCK:

The Transmit Clock applied via TxClk_n pins, for the selected data rate (for E3 = 34.368 MHz, DS3 = 44.736 MHz or STS-1 = 51.84 MHz), is duty cycle corrected by the internal PLL circuit to provide a 50% duty cycle clock to the pulse shaping circuit. This allows a 30% to 70% duty cycle Transmit Clock to be supplied.

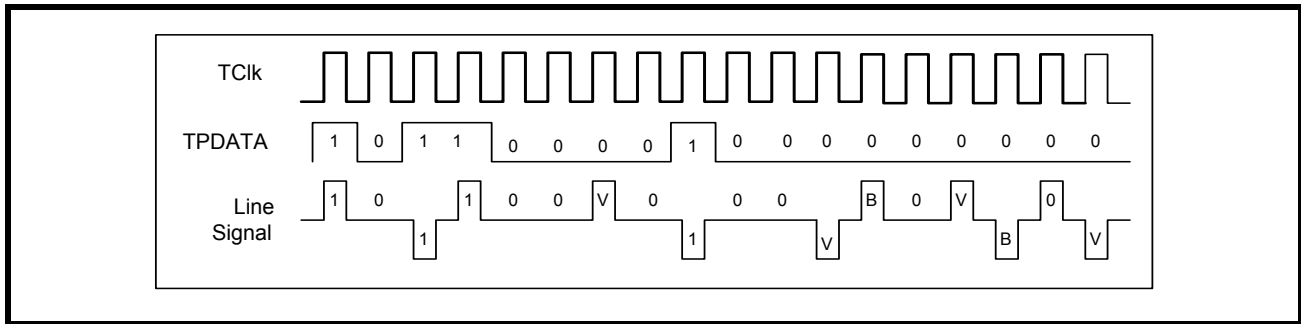
4.0.2 B3ZS/HDB3 ENCODER:

When the Single-Rail (NRZ) data format is selected, the Encoder Block encodes the data into either B3ZS format (for either DS3 or STS-1) or HDB3 format (for E3).

4.0.2.1 B3ZS Encoding:

An example of B3ZS encoding is shown in Figure 14. If the encoder detects an occurrence of three consecutive zeros in the data stream, it is replaced with either B0V or 00V, where 'B' refers to Bipolar pulse that is compliant with the Alternating polarity requirement of the AMI (Alternate Mark Inversion) line code and 'V' refers to a Bipolar Violation (e.g., a bipolar pulse that violates the AMI line code). The substitution of B0V or 00V is made so that an odd number of bipolar pulses exist between any two consecutive violation (V) pulses. This avoids the introduction of a DC component into the line signal.

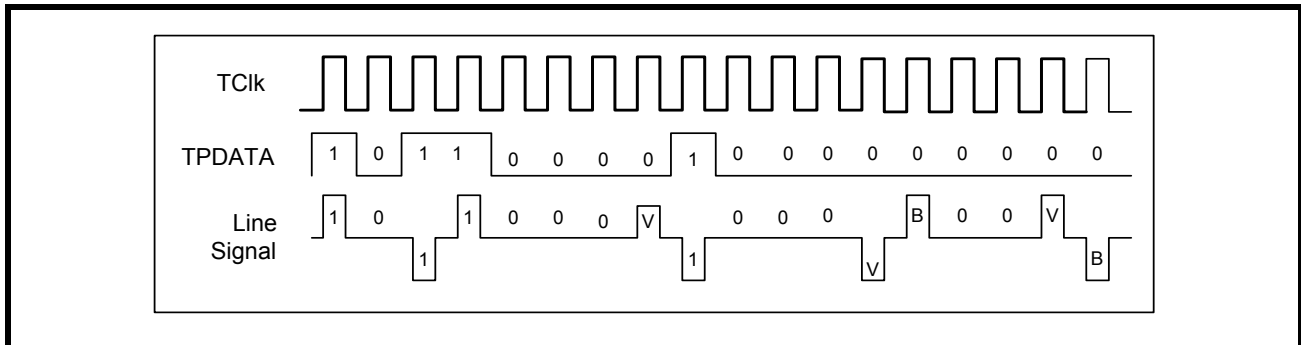
FIGURE 14. B3ZS ENCODING FORMAT



4.0.2.2 HDB3 Encoding:

An example of the HDB3 encoding is shown in Figure 15. If the HDB3 encoder detects an occurrence of four consecutive zeros in the data stream, then the four zeros are substituted with either 000V or B00V pattern. The substitution code is made in such a way that an odd number of bipolar (B) pulses exist between any consecutive V pulses. This avoids the introduction of DC component into the analog signal.

FIGURE 15. HDB3 ENCODING FORMAT



NOTES:

1. When Dual-Rail data format is selected, the B3ZS/HDB3 Encoder is automatically disabled.
2. In Dual-Rail format, the Bipolar Violations in the incoming data stream is converted to valid data pulses.
3. Encoder and Decoder is enabled only in Single-Rail mode.

TWO CHANNEL E3/DS3/STS-1 LINE INTERFACE UNIT

REV. 1.0.0

4.0.3 TRANSMIT PULSE SHAPER:

The Transmit Pulse Shaper converts the B3ZS encoded digital pulses into a single analog Alternate Mark Inversion (AMI) pulse that meet the industry standard mask template requirements for STS-1 and DS3. See Figures 8 and 9.

For E3 mode, the pulse shaper converts the HDB3 encoded pulses into a single full amplitude square shaped pulse with very little slope. This is illustrated in Figure 7.

The Pulse Shaper Block also includes a Transmit Build Out Circuit, which can either be disabled or enabled by setting the TxLEV_n input pin “High” or “Low” (in Hardware Mode) or setting the TxLEV_n bit to “1” or “0” in the control register (in Host Mode).

For DS3/STS-1 rates, the Transmit Build Out Circuit is used to shape the transmit waveform that ensures that transmit pulse template requirements are met at the Cross-Connect system. The distance between the transmitter output and the Cross-Connect system can be between 0 to 450 feet.

For E3 rate, since the output pulse template is measured at the secondary of the transformer and since there is no Cross-Connect system pulse template requirements, the Transmit Build Out Circuit is always disabled.

4.0.3.1 Guidelines for using Transmit Build Out Circuit:

If the distance between the transmitter and the DSX3 or STSX-1, Cross-Connect system, is less than 225 feet, enable the Transmit Build Out Circuit by setting the TxLEV_n input pin “Low” (in Hardware Mode) or setting the TxLEV_n control bit to “0” (in Host Mode).

If the distance between the transmitter and the DSX3 or STSX-1 is greater than 225 feet, disable the Transmit Build Out Circuit.

4.0.3.2 Interfacing to the line:

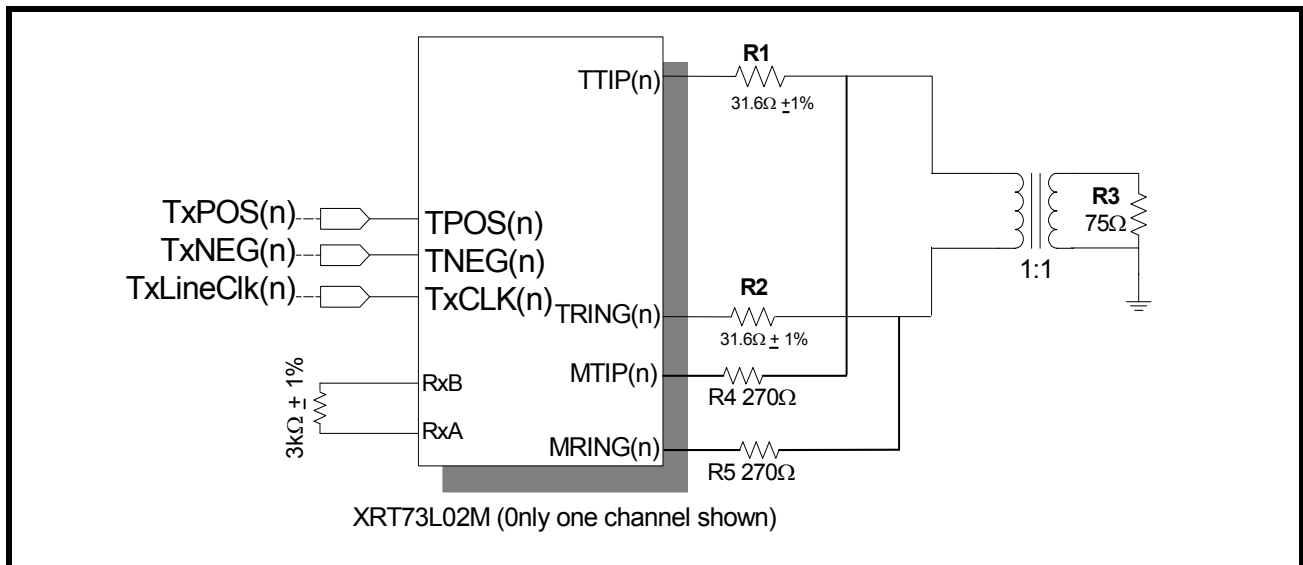
The differential line driver increases the transmit waveform to appropriate level and drives into the 75Ω load as shown in Figure 6.

4.0.4 Transmit Drive Monitor:

This feature is used for monitoring the transmit line for occurrence of fault conditions such as a short circuit on the line or a defective line driver.

To activate this function, connect MTIP_n pins to the TTIP_n lines via a 270 Ω resistor and MRING_n pins to TRING_n lines via 270 Ω resistor as shown in Figure 16.

FIGURE 16. TRANSMIT DRIVER MONITOR SET-UP.



When the MTIP_n and MRING_n are connected to the TTIP_n and TRING_n lines, the drive monitor circuit monitors the line for transitions. The DMO_n (Drive Monitor Output) will be asserted “Low” as long as the transitions on the line are detected via MTIP_n and MRING_n.

If no transitions on the line are detected for 128 ± 32 TxClk_n periods, the DMO_n output toggles “High” and when the transitions are detected again, DMO_n toggles “Low”.

NOTES:

1. The Drive Monitor Circuit is only for diagnostic purpose and does not have to be used to operate the transmitter.
2. With TxMON pin “High”, MTIP and MRING will be internally connected to TTIP and TRING for self-monitoring.

4.0.5 TRANSMITTER SECTION ON/OFF:

The transmitter section of each channel can either be turned on or off. To turn on the transmitter, set the input pin TxON to “High” (in Hardware Mode) or in Host Mode set the TxON_n control bits and tie the TxON pins “High”

When the transmitter is turned off, TTIP_n and TRING_n are tri-stated.

NOTES:

1. This feature provides support for Redundancy.
2. If configured in Host mode, to permit a system designed for redundancy to quickly shut-off the defective line card and turn on the back-up line card, setting the TxON_n control bits transfers the control to TxON pins.

5.0 THE RECEIVER SECTION:

This section describes the detailed operation of the various blocks in the receiver. The receiver recovers the TTL/CMOS level data from the incoming bipolar B3ZS or HDB3 encoded input pulses.

5.0.1 AGC/EQUALIZER:

The Adaptive Gain Control circuit amplifies the incoming analog signal and compensates for the various flat losses and also for the loss at one-half symbol rate. The AGC has a dynamic range of 30 dB.

The Equalizer restores the integrity of the signal and compensates for the frequency dependent attenuation up to 900 feet of coaxial cable (1300 feet for E3). The Equalizer also boosts the high frequency content of the signal to reduce Inter-Symbol Interference (ISI) so that the slicer slices the signal at 50% of peak voltage to generate Positive and Negative data.

The Equalizer can either be “IN” or “OUT” by setting the REQEN_n pin “High” or “Low” (in Hardware Mode) or setting the REQEN_n control bit to “1” or “0” (in Host Mode).

RECOMMENDATIONS FOR EQUALIZER SETTINGS:

The Equalizer has two gain settings to provide optimum equalization. In the case of normally shaped DS3/STS-1 pulses (pulses that meet the template requirements) that has been driven through 0 to 900 feet of cable, the Equalizer can be left “IN” by setting the REQEN_n pin to “High” (in Hardware Mode) or setting the REQEN_n control bit to “1” (in Host Mode).

However, for square-shaped pulses such as E3 or for DS3/STS-1 high pulses (that does not meet the pulse template requirements), it is recommended that the Equalizer be left “OUT” for cable length less than 300 feet by setting the REQEN_n pin “Low” (in Hardware Mode) or by setting the REQEN_n control bit to “0” (in Host Mode). This would help to prevent over-equalization of the signal and thus optimize the performance in terms of better jitter transfer characteristics.

NOTE: The results of extensive testing indicates that even when the Equalizer was left “IN” (REQEN_n = “HIGH”), regardless of the cable length, the integrity of the E3 signal was restored properly over 0 to 12 dB cable loss at Industrial Temperature.

TWO CHANNEL E3/DS3/STS-1 LINE INTERFACE UNIT

REV. 1.0.0

The Equalizer also contain an additional 20 dB gain stage to provide the line monitoring capability of the resistively attenuated signals which may have 20dB flat loss. This capability can be turned on by setting the RxMON_n bits in the control register or by setting the RxMON pin “High”.

5.0.1.1 INTERFERENCE TOLERANCE:

For E3 mode, ITU-T G.703 Recommendation specifies that the receiver be able to recover error-free clock and data in the presence of a sinusoidal interfering tone signal. For DS3 and STS-1 modes, the same recommendation is being used. Figure 17 shows the configuration to test the interference margin for DS3/STS1. Figure 18 shows the set up for E3.

FIGURE 17. INTERFERENCE MARGIN TEST SET UP FOR DS3/STS-1

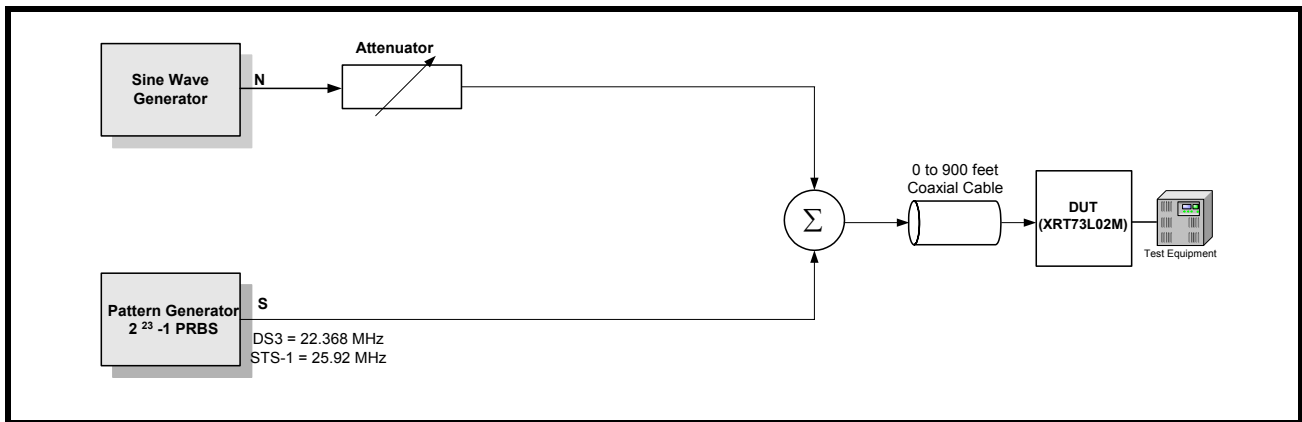


FIGURE 18. INTERFERENCE MARGIN TEST SET UP FOR E3.

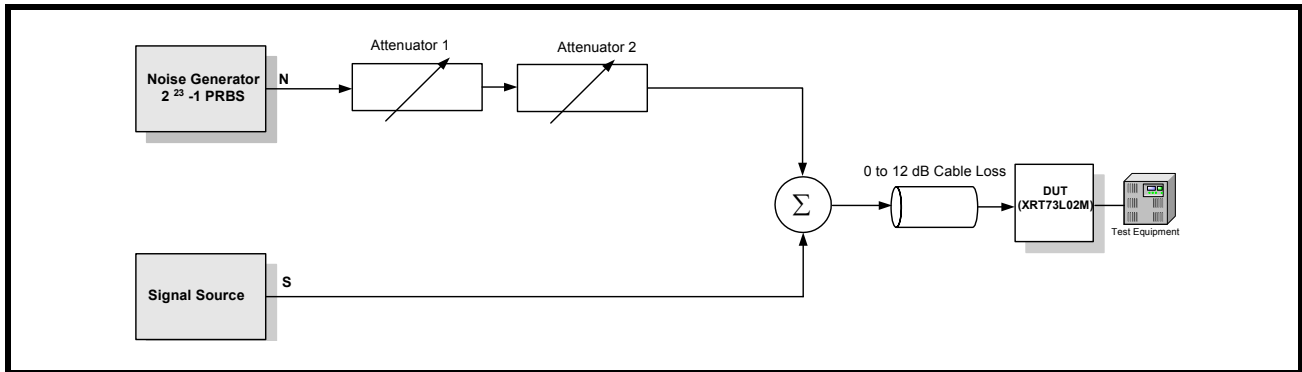


TABLE 9: INTERFERENCE MARGIN TEST RESULTS

MODE	CABLE LENGTH (ATTENUATION)	INTERFERENCE TOLERANCE
E3	0 dB	- 17 dB
	12 dB	-15 dB

TABLE 9: INTERFERENCE MARGIN TEST RESULTS

MODE	CABLE LENGTH (ATTENUATION)	INTERFERENCE TOLERANCE
DS3	0 feet	-16 dB
	225 feet	- 15dB
	450 feet	- 15dB
STS-1	0 feet	- 17 dB
	225 feet	- 16 dB
	450 feet	- 16 dB

5.0.2 CLOCK AND DATA RECOVERY:

The Clock and Data Recovery Circuit extracts the embedded clock, from the sliced digital data stream and provides the retimed data to the B3ZS (HDB3) decoder.

The Clock Recovery PLL can be in one of the following two modes:

TRAINING MODE:

In the absence of input signals at RTIP_n and RRING_n pins, or when the frequency difference between the recovered line clock signal and the reference clock applied on the E3/DS3/STS1CLK input pins exceed 0.5%, a Loss of Lock condition is declared by toggling RLOL_n output pin “High” (in Hardware Mode) or setting the RLOL_n bit to “1” in the control registers. Also, the clock output on the RxClk_n pins are the same as the reference clock applied on E3/DS3/STS1CLK pins.

DATA/CLOCK RECOVERY MODE:

In the presence of input line signals on the RTIP_n and RRING_n input pins and when the frequency difference between the recovered clock signal and the reference clock signal is less than 0.5%, the clock that is output on the RxClk_n out pins is the Recovered Clock signal.

5.0.3 B3ZS/HDB3 DECODER:

The decoder block takes the output from clock and data recovery block and decodes the B3ZS (for DS3 or STS-1) or HDB3 (for E3) encoded line signal and detects any coding errors or excessive zeros in the data stream.

When the input signal violates the B3ZS or HDB3 coding sequence for bipolar violation or contains three (for B3ZS) or four (for HDB3) or more consecutive zeros, an active “High” pulse is generated on the RLCV_n output pins to indicate line code violation.

NOTE: In Single-Rail (NRZ) mode, the decoder is bypassed.

5.0.4 LOS (Loss of Signal) Detector:

5.0.4.1 DS3/STS-1 LOS Condition:

A Digital Loss of Signal (DLOS) condition occurs when a string of 175 ± 75 consecutive zeros occur on the line. When the DLOS condition occurs, the DLOS_n bit is set to “1” in the status control register. DLOS condition is cleared when the detected average pulse density is greater than 33% for 175 ± 75 pulses.

Analog Loss of Signal (ALOS) condition occurs when the amplitude of the incoming line signal is below the threshold as shown in the Table 10. The status of the ALOS condition is reflected in the ALOS_n status control register.

TWO CHANNEL E3/DS3/STS-1 LINE INTERFACE UNIT

REV. 1.0.0

RLOS is the logical OR of the DLOS and ALOS states. When the RLOS condition occurs the RLOS_n output pin is toggled “High” and the RLOS_n bit is set to “1” in the status control register.

TABLE 10: THE ALOS (ANALOG LOS) DECLARATION AND CLEARANCE THRESHOLDS FOR A GIVEN SETTING OF REQEN (DS3 AND STS-1 APPLICATIONS)

APPLICATION	REQEN SETTING	SIGNAL LEVEL TO DECLARE ALOS	SIGNAL LEVEL TO CLEAR ALOS
DS3	0	≤17 mV	≥70 mV
	1	≤20 mV	≥90 mV
STS-1	0	≤20 mV	≥90 mV
	1	≤25 mV	≥115 mV

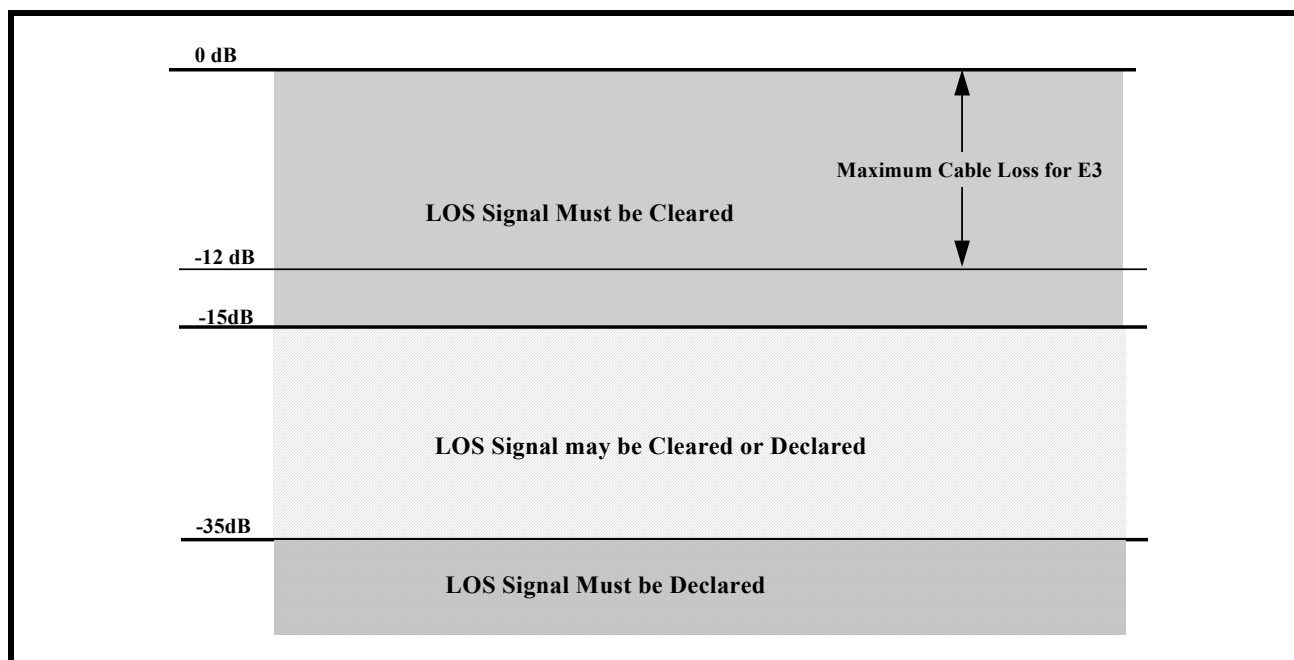
DISABLING ALOS/DLOS DETECTION:

For debugging purposes it is useful to disable the ALOS and/or DLOS detection. Setting both ALOSDIS_n and DLOSDIS_n bits disables the LOS detection on a per channel basis.

5.0.4.2 E3 LOS Condition:

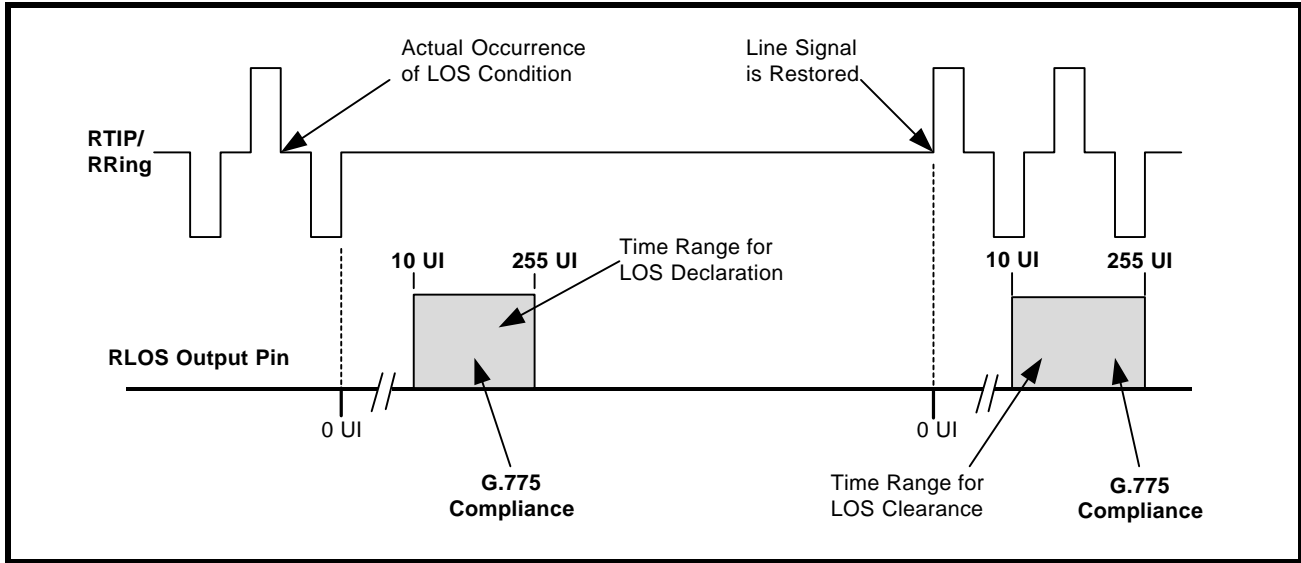
If the level of incoming line signal drops below the threshold as described in the ITU-T G.775 standard, the LOS condition is detected. Loss of signal level is defined to be between 15 and 35 dB below the normal level. If the signal drops below 35 dB for 175 ± 75 consecutive pulse periods, LOS condition is declared. This is illustrated in Figure 19.

FIGURE 19. LOSS OF SIGNAL DEFINITION FOR E3 AS PER ITU-T G.775



As defined in ITU-T G.775, an LOS condition is also declared between 10 and 255 UI (or E3 bit periods) after the actual time the LOS condition has occurred. The LOS condition is cleared within 10 to 255 UI after restoration of the incoming line signal. Figure 20 shows the LOS declaring and clearing conditions.

FIGURE 20. LOSS OF SIGNAL DEFINITION FOR E3 AS PER ITU-T G.775.



5.0.4.3 Muting the Recovered Data with LOS condition:

When the LOS condition is declared, the clock recovery circuit locks into the reference clock applied to the E3/DS3/STS1CLK pin and output this clock on the RxClk_n output. In Single Frequency Mode (SFM), the clock recovery locks into the rate clock generated and output this clock on the RxClk_n pins. The data on the RPOS_n and RNEG_n pins can be forced to zero by pulling the LOSMUT pin “High” (in Hardware Mode) or by setting the LOSMUT_n bits in the individual channel control register to “1” (in Host Mode).

NOTE: When the LOS condition is cleared, the recovered data is output on RPOS_n and RNEG_n pins.

6.0 JITTER:

There are three fundamental parameters that describe circuit performance relative to jitter:

- **Jitter Tolerance (Receiver)**
- **Jitter Transfer (Receiver/Transmitter)**
- **Jitter Generation**

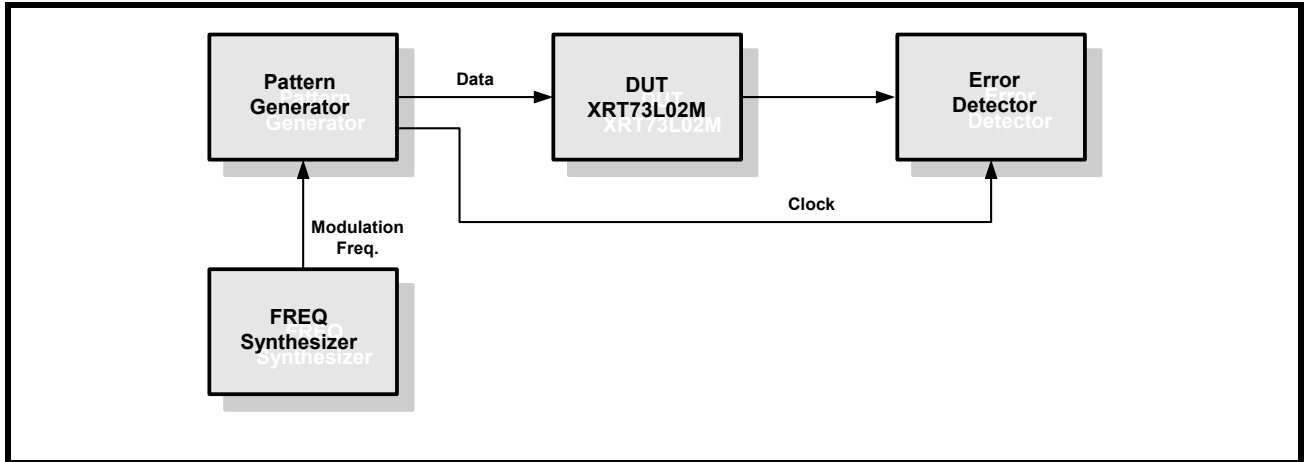
6.0.1 JITTER TOLERANCE - RECEIVER:

Jitter tolerance is a measure of how well a Clock and Data Recovery unit can successfully recover data in the presence of various forms of jitter. It is characterized by the amount of jitter required to produce a specified bit error rate. The tolerance depends on the frequency content of the jitter. Jitter Tolerance is measured as the jitter amplitude over a jitter spectrum for which the clock and data recovery unit achieves a specified bit error rate (BER). To measure the jitter tolerance as shown in Figure 21, jitter is introduced by the sinusoidal modulation of the serial data bit sequence.

TWO CHANNEL E3/DS3/STS-1 LINE INTERFACE UNIT

REV. 1.0.0

FIGURE 21. JITTER TOLERANCE MEASUREMENTS

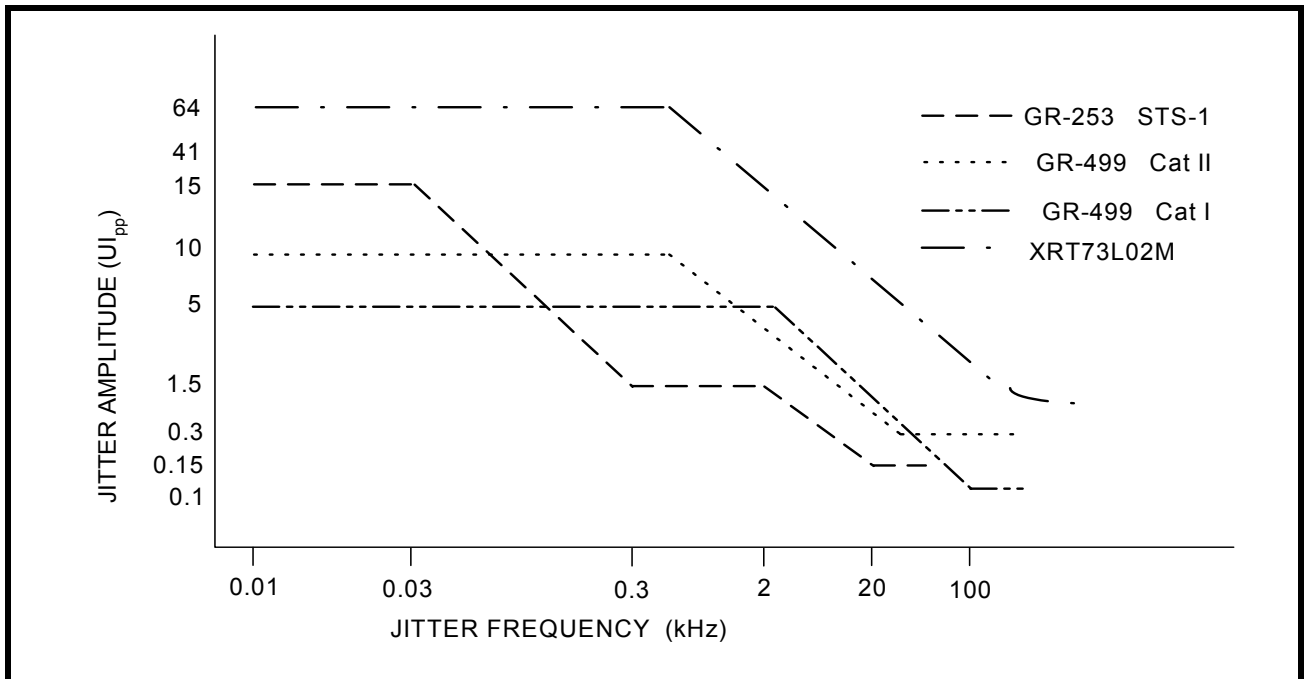


Input jitter tolerance requirements are specified in terms of compliance with jitter mask which is represented as a combination of points. Each point corresponds to a minimum amplitude of sinusoidal jitter at a given jitter frequency.

6.0.1.1 DS3/STS-1 Jitter Tolerance Requirements:

Bellcore GR-499 CORE, Issue 1, December 1995 specifies the minimum requirement of jitter tolerance for Category I and Category II. The jitter tolerance requirement for Category II is the most stringent. Figure 22 shows the jitter tolerance curve as per GR-499 specification.

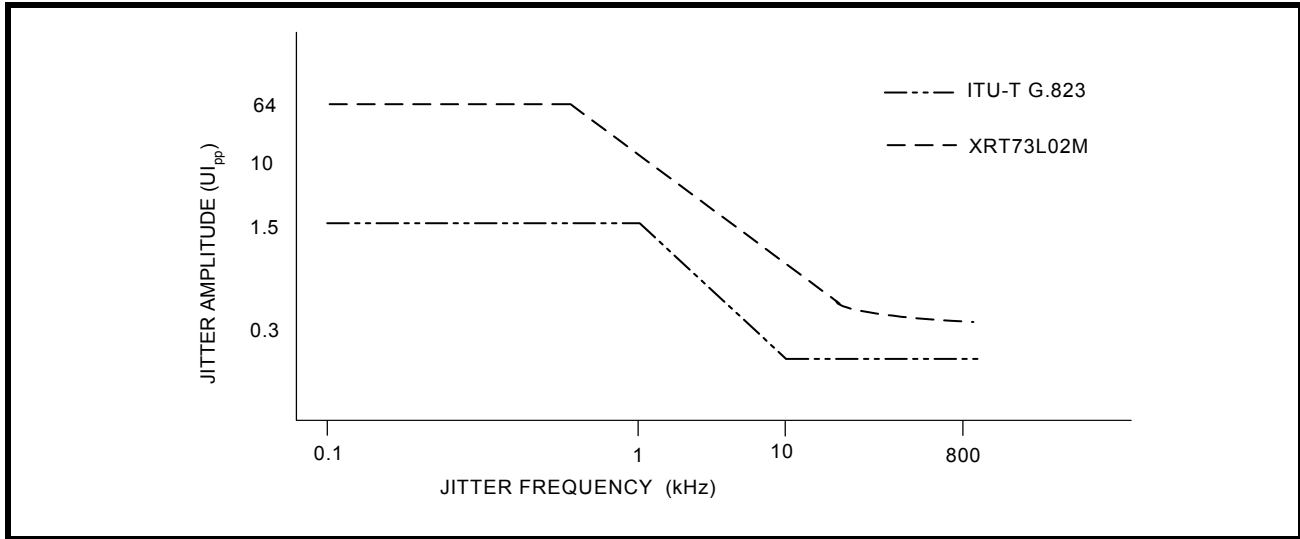
FIGURE 22. INPUT JITTER TOLERANCE FOR DS3/STS-1



6.0.1.2 E3 Jitter Tolerance Requirements:

ITU-T G.823 standard specifies that the clock and data recovery unit must be able to accommodate and tolerate jitter up to certain specified limits. Figure 23 shows the tolerance curve.

FIGURE 23. INPUT JITTER TOLERANCE FOR E3



As shown in the Figures 22 and 23 above, in the jitter tolerance measurement, the dark line indicates the minimum level of jitter that the E3/DS3/STS-1 compliant component must tolerate.

The Table 11 below shows the jitter amplitude versus the modulation frequency for various standards.

TABLE 11: JITTER AMPLITUDE VERSUS MODULATION FREQUENCY (JITTER TOLERANCE)

BIT RATE (KB/S)	STANDARD	INPUT JITTER AMPLITUDE (UI _{p-p})			MODULATION FREQUENCY				
		A1	A2	A3	F1(Hz)	F2(Hz)	F3(kHz)	F4(kHz)	F5(kHz)
34368	ITU-T G.823	1.5	0.15	-	100	1000	10	800	-
44736	GR-499 CORE Cat I	5	0.1	-	10	2.3k	60	300	-
44736	GR-499 CORE Cat II	10	0.3	-	10	669	22.3	300	-
51840	GR-253 CORE Cat II	15	1.5	0.15	10	30	300	2	20

6.0.2 JITTER TRANSFER - RECEIVER/TRANSMITTER:

Jitter Transfer function is defined as the ratio of jitter on the output relative to the jitter applied on the input versus frequency.

TWO CHANNEL E3/DS3/STS-1 LINE INTERFACE UNIT

REV. 1.0.0

There are two distinct characteristics of jitter transfer: i) jitter gain (jitter peaking) defined as the highest ratio above 0dB; and ii) jitter transfer bandwidth. The overall jitter transfer bandwidth is controlled by a low bandwidth loop, typically using a voltage-controller crystal oscillator (VCXO).

The jitter transfer function is a ratio between the jitter output and jitter input for a component, or system often expressed in dB. A negative dB jitter transfer indicates the element removed jitter. A positive dB jitter transfer indicates the element added jitter. A zero dB jitter transfer indicates the element had no effect on jitter.

6.0.3 JITTER GENERATION:

Jitter Generation is defined as the process whereby jitter appears at the output port of the digital equipment in the absence of applied input jitter. Jitter Generation is measured by sending jitter free data to the clock and data recovery circuit and measuring the amount of jitter on the output clock or the re-timed data. Since this is essentially a noise measurement, it requires a definition of bandwidth to be meaningful. The bandwidth is set according to the data rate. In general, the jitter is measured over a band of frequencies.

7.0 SERIAL HOST INTERFACE:

A serial microprocessor interface is included in the XRT73L02M. The interface is generic and is designed to support the common microprocessors/microcontrollers. The XRT73L02M is configured in Host mode when the HOST/HW pin is tied "High". The serial interface includes a serial clock (SClk), serial data input (SDI), serial data output (SDO), chip select (CS) and interrupt output (INT). The serial interface timing is shown in Figure 11.

The active low interrupt output signal ($\overline{\text{INT}}$ pin) indicates alarm conditions like LOS and DMO to the processor. When configured in Host mode, the following input pins, TxLEV_n, TAOS_n, RLB_n, LLB_n, E3_n, STS-1/DS3_n, REQEN_n are disabled and must be connected to ground.

The Table 14 below illustrates the functions of the shared pins in either Host mode or in Hardware mode.

TABLE 12: FUNCTIONS OF SHARED PINS

PIN NUMBER	IN HOST MODE	IN HARDWARE MODE
29	$\overline{\text{CS}}$	RxCiKINV
30	SClk	TxCiKINV
31	SDI	RxON
27	SDO	RxMON
28	$\overline{\text{INT}}$	LOSMUT

NOTE: While configured in Host mode, the TxON input pin will be active if the TxON_n bits in the control register are set to "1", and can be used to turn on and off the transmit output drivers. This permits a system designed for redundancy to quickly switch out a defective line card and switch-in the backup line card.

TABLE 13: REGISTER MAP AND BIT NAMES

ADDRESS (HEX)	PARAMETER NAME	DATA BITS							
		7	6	5	4	3	2	1	0
0x00	APS/Redundancy (read/write)	Reserved		RxON-1	RxON_0	Reserved		TxON-1	TxON_0

TABLE 13: REGISTER MAP AND BIT NAMES

ADDRESS (HEX)	PARAMETER NAME	DATA BITS							
		7	6	5	4	3	2	1	0
0x20	Interrupt Enable-Global (read/write)	Reserved						INTEN_1	INTEN_0
0x21	Interrupt Status (read only)	Reserved						INTST_1	INTST_0
0x22-0x3D	Reserved	Reserved							
0x3E	Chip_id (read only)	Device part number (7:0)							
0x3F	Chip_version (read only)	Chip revision number (7:0)							

TWO CHANNEL E3/DS3/STS-1 LINE INTERFACE UNIT

REV. 1.0.0

TABLE 14: REGISTER MAP DESCRIPTION - GLOBAL

ADDRESS (Hex)	TYPE	REGISTER NAME	SYMBOL	DESCRIPTION	DEFAULT VALUE																
0x00	R/W	APS/Redundancy	RxON_n	Bit 4 = RxON_0, Bit 5 = RxON_1 Receiver Turn On. Writing a "1" to the bit field turns on the Receiver and a "0" turn off the Receiver.	0																
			TxON_n	Bit 0 = TxON_0, Bit 1 = TxON_1 Table below shows the status of the transmitter based on the bit and pin setting.	0																
				<table border="1"> <thead> <tr> <th>Bit</th> <th>Pin</th> <th>Transmitter Status</th> </tr> </thead> <tbody> <tr> <td>0</td> <td>0</td> <td>OFF</td> </tr> <tr> <td>0</td> <td>1</td> <td>OFF</td> </tr> <tr> <td>1</td> <td>0</td> <td>OFF</td> </tr> <tr> <td>1</td> <td>1</td> <td>ON</td> </tr> </tbody> </table>	Bit	Pin	Transmitter Status	0	0	OFF	0	1	OFF	1	0	OFF	1	1	ON		
Bit	Pin	Transmitter Status																			
0	0	OFF																			
0	1	OFF																			
1	0	OFF																			
1	1	ON																			
0x20	R/W	Interrupt Enable	INTEN_n	Bit 1 = INTEN_1, Bit 0 = INTEN_0. Writing a "1" to these bits enable the interrupts for the corresponding channels.	0																
0x21	Read Only	Interrupt Status	INTST_n	Bit 1 = INTST_1, Bit 0 = INTST_0. Respective bits are set to "1" if an interrupt service is required. The respective source level interrupt status registers are read to determine the cause of interrupt.	0																
0x22 - 0x3D	Reserved																				
0x3E	Read Only	Device Number	Chip_id	This read only register contains device id.																	
0x3F	Read Only	Version Number	Chip_version	This read only register contains chip version number																	

TABLE 15: REGISTER MAP AND BIT NAMES - CHANNEL 0 REGISTERS

ADDRESS (Hex)	PARAMETER NAME	DATA BITS							
		7	6	5	4	3	2	1	0
0x01	Interrupt Enable (read/write)	Reserved					RLOLIE_0	RLOSIE_0	DMOIE_0
0x02	Interrupt Status (reset on read)	Reserved					RLOLIS_0	RLOLIS_0	DMOIS_0
0x03	Alarm Status (read only)	Reserved	PRBSLS_0	DLOS_0	ALOS_0	Reserved	RLOL_0	RLOS_0	DMO_0

TWO CHANNEL E3/DS3/STS-1 LINE INTERFACE UNIT

REV. 1.0.0

TABLE 15: REGISTER MAP AND BIT NAMES - CHANNEL 0 REGISTERS

ADDRESS (HEX)	PARAMETER NAME	DATA BITS							
		7	6	5	4	3	2	1	0
0x04	Transmit Control (read/write)	Reserved		TxMON_0	INSPRBS_0	Reserved	TAOS_0	TxCiKINV_0	TxLEV_0
0x05	Receive Control (read/write)	Reserved		DLOSDIS_0	ALOSDIS_0	RxCiKINV_0	LOSMUT_0	RxMON_0	REQEN_0
0x06	Block Control (read/write)	Reserved		PRBSEN_0	RLB_0	LLB_0	E3_0	STS1/DS3_0	SR/DR_0
0x07	Reserved	Reserved							
0x08	Reserved	Reserved							

TABLE 16: REGISTER MAP AND BIT NAMES - CHANNEL 1 REGISTERS

ADDRESS (HEX)	PARAMETER NAME	DATA BITS							
		7	6	5	4	3	2	1	0
0x09	Interrupt Enable (read/write)	Reserved					RLOLIE_1	RLOSIE_1	DMOIE_1
0x0A	Interrupt Status (reset on read)	Reserved					RLOLIS_1	RLOSIS_1	DMOIS_1
0x0B	Alarm Status (read only)	Reserved	PRBSLS_1	DLOS_1	ALOS_1	Reserved	RLOL_1	RLOS_1	DMO_1
0x0C	Transmit Control (read/write)	Reserved		TxMON_1	INSPRBS_1	Reserved	TAOS_1	TxCiKINV_1	TxLEV_1
0x0D	Receive Control (read/write)	Reserved		DLOSDIS_1	ALOSDIS_1	RxCiKINV_1	LOSMUT_1	RxMON_1	REQEN_1
0x0E	Block Control (read/write)	Reserved		PRBSEN_1	RLB_1	LLB_1	E3_1	STS1/DS3_1	SR/DR_1
0x0F	Reserved	Reserved							
0x10	Reserved	Reserved							

TWO CHANNEL E3/DS3/STS-1 LINE INTERFACE UNIT

REV. 1.0.0

TABLE 17: REGISTER MAP DESCRIPTION - CHANNEL 0

ADDRESS (HEX)	TYPE	REGISTER NAME	BIT#	SYMBOL	DESCRIPTION	DEFAULT VALUE	
0x01 (ch 0) 0x09 (ch 1)	R/W	Interrupt Enable (source level)	D0	DMOIE_n	Writing a "1" to this bit enables an interrupt when the no transmission detected on channel output.	0	
			D1	RLOSIE_n	Writing a "1" to this bit enables an interrupt when Receive Los of Signal is detected.	0	
			D2	RLOLIE_n	Writing a "1" to this bit enables an interrupt when Receive Loss of Lock condition is detected	0	
			D3	Reserved			0
			D7-D4	Reserved			
0x02 (ch 0) 0x0A (ch 1)	Reset on Read	Interrupt Status (source level)	D0	DMOIS_n	This bit is set every time a DMO status change has occurred since the last cleared interrupt.This bit is cleared when the register bit is read.	0	
			D1	RLOSIS_n	This bit is set every time a RLOS status change has occurred since the last cleared interrupt. This bit is cleared when the register bit is read.	0	
			D2	RLOLIS_n	This bit is set every time a RLOL status change has occurred since the last cleared interrupt. This bit is cleared when the register bit is read.	0	
			D3	Reserved			0
			D7-D4	Reserved			
0x03 (ch 0) 0x0B (ch 1)	Read Only	Alarm Status	D0	DMO_n	This bit is set every time the MTIP_0/MRing_0 input pins have not detected any bipolar pulses for 128 consecutive bit periods.	0	
			D1	RLOS_n	This bit is set every time the receiver declares an LOS condition.	0	
			D2	RLOL_n	This bit is set every time when the receiver declares a Loss of Lock condition.	0	
			D3	Reserved			0
			D4	ALOS_n	This bit is set every time the receiver declares Analog LOS condition.	0	
			D5	DLOS_n	This bit is set every time the receiver declares Digital LOS condition.	0	
			D6	PRBSLS_n	This bit is set every time the PRBS detector is not in sync.	0	
			D7	Reserved			

TABLE 17: REGISTER MAP DESCRIPTION - CHANNEL 0

ADDRESS (HEX)	TYPE	REGISTER NAME	BIT#	SYMBOL	DESCRIPTION	DEFAULT VALUE		
0x04 (ch 0) 0x0C (ch 1)	R/W	Transmit Control	D0	TxLEV_n	Set this bit for cable length greater than 225 feet. NOTE: See section 4.03 for detailed description.	0		
			D1	TxCkINV_n	Set this bit to sample the data on TPOS/TNEG pins on the rising edge of TxClk.	0		
			D2	TAOS_n	Set this bit to send a continuous stream of marks (All Ones) out at the TTIP and TRING pins.	0		
			D3	Reserved				
			D4	INSPRBS_n	Setting this bit causes the PRBS generator to insert a single-bit error onto the transmit PRBS data stream. NOTE: PRBS Generator/Detector must be enabled for this bit to have any effect.	0		
			D5	TxMON_n	Setting this bit causes the driver monitor its own transmit driver. When the transmit failure is detected, DMO output pin goes "High" and DMOIS bit is set. When this bit is "0", MTIP and MRing are connected to other transmit channel for monitoring.	0		
			D7-D6	Reserved				
0x05 (Ch 0) 0x0D (Ch 1)	R/W	Receive Control	D0	REQEN_n	Set this bit to enable the Receive Equalizer. NOTE: See section 5.01 for detailed description.	0		
			D1	RxMON_n	Set this bit to configure the Receiver in monitoring mode. In this mode, the Receiver can monitor a signal at the RTIP/RRING pins that has been attenuated up to 20dB flat loss.	0		
			D2	LOSMUT_n	Setting this bit causes the RPOS/RNEG outputs to "0" while the LOS condition is declared. NOTE: If the bit has been set, it will remain set even after LOS condition is cleared.	0		
			D3	RxCkINV_n	Set this bit to configure the Receiver to output RPOS/RNEG data on the falling edge of RxClk_0.	0		
			D4	ALOSDIS_n	Set this bit to disable the ALOS detector.	0		
			D5	DLOSDIS_n	Set this bit to disable the DLOS detector.	0		
			D7-D6	Reserved				

TWO CHANNEL E3/DS3/STS-1 LINE INTERFACE UNIT

REV. 1.0.0

TABLE 17: REGISTER MAP DESCRIPTION - CHANNEL 0

ADDRESS (Hex)	TYPE	REGISTER NAME	BIT#	SYMBOL	DESCRIPTION	DEFAULT VALUE																
0x06 (Ch 0) 0x0E (Ch 1)	R/W	Block Control	D0	SR/DR _n	Setting this bit configures the Receiver and Transmitter in Single-Rail (NRZ) mode. <i>NOTE: See section 4.0 for detailed description.</i>	0																
			D1	STS-1/ DS3 _n	Setting this bit configures the channel into STS-1 mode. <i>NOTE: This bit field is ignored if the channel is configured to operate in E3 mode.</i>	0																
			D2	E3 _n	Setting this bit configures the channel in E3 mode.	0																
			D3	LLB _n	Setting this bit configures the channel in Local Loopback mode.	0																
			D4	RLB _n	Setting this bit configures the channel in Remote Loopback mode.	0																
						<table border="1"> <thead> <tr> <th>RLB_n</th> <th>LLB_n</th> <th>Loopback Mode</th> </tr> </thead> <tbody> <tr> <td>0</td> <td>0</td> <td>Normal Operation</td> </tr> <tr> <td>0</td> <td>1</td> <td>Analog Local</td> </tr> <tr> <td>1</td> <td>0</td> <td>Remote</td> </tr> <tr> <td>1</td> <td>1</td> <td>Digital</td> </tr> </tbody> </table>	RLB _n	LLB _n	Loopback Mode	0	0	Normal Operation	0	1	Analog Local	1	0	Remote	1	1	Digital	
			RLB _n	LLB _n	Loopback Mode																	
			0	0	Normal Operation																	
0	1	Analog Local																				
1	0	Remote																				
1	1	Digital																				
D5	PRBSEN _n	Setting this bit enables the PRBS generator/detector. PRBS generator generate and detect either 2 ¹⁵ -1 (DS3 or STS-1) or 2 ²³ -1 (for E3). The pattern generated and detected are unframed pattern.	0																			
D7-D6	Reserved																					
0x07 (Ch 0) 0x0F (Ch 1)	R/W	Jitter Attenuator	D0	Reserved		0																
			D1	Reserved		0																
			D2	Reserved		0																
			D3	Reserved		0																
			D4	Reserved		0																
			D7-D5	Reserved																		
0x08 0x10 0x18 - 0x1f	Reserved																					

8.0 DIAGNOSTIC FEATURES:

8.1 PRBS GENERATOR AND DETECTOR:

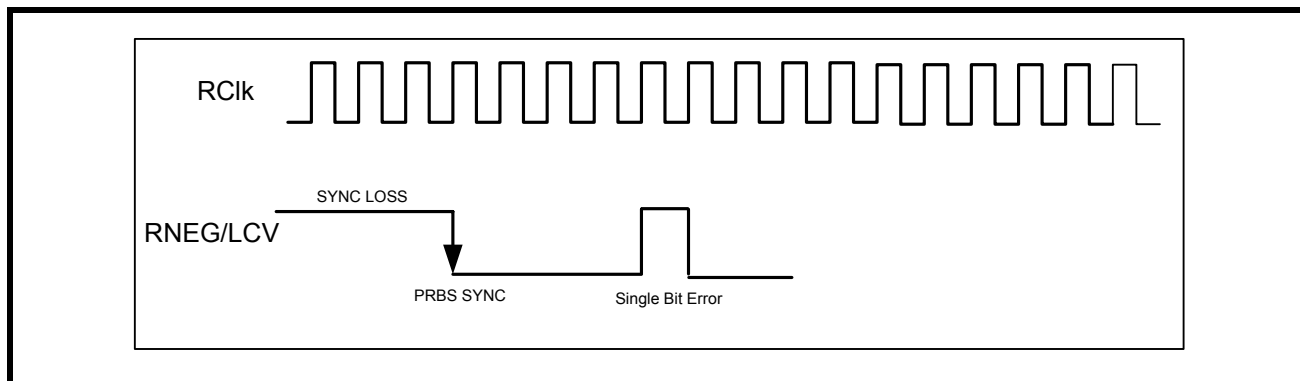
The XRT73L02M contains an on-chip Pseudo Random Binary Sequence (PRBS) generator and detector for diagnostic purpose. This feature is only available in Host mode. With the PRBSEN_n bit = "1", the transmitter will send out PRBS of $2^{23}-1$ in E3 rate or $2^{15}-1$ in STS-1/DS3 rate. At the same time, the receiver PRBS detector is also enabled. When the correct PRBS pattern is detected by the receiver, the RNEG/LCV pin will go "Low" to indicate PRBS synchronization has been achieved. When the PRBS detector is not in sync the PRBSLS bit will be set to "1" and RNEG/LCV pin will go "High".

With the PRBS mode enabled, the user can also insert a single bit error by toggling "INSPRBS" bit. This is done by writing a "1" to INSPRBS bit. The receiver at RNEG/LCV pin will pulse "High" for one RxClk cycle for every bit error detected. Any subsequent single bit error insertion must be done by first writing a "0" to INSPRBS bit and followed by a "1".

Figure 25 shows the status of RNEG/LCV pin when the XRT73L02M is configured in PRBS mode.

NOTE: In PRBS mode, the device is forced to operate in Single-Rail Mode.

FIGURE 24. PRBS MODE



8.2 LOOPBACKS:

The XRT73L02M offers three loop back modes for diagnostic purposes. In Hardware mode, the loop back modes are selected via the RLB_n and LLB_n pins. In Host mode, the RLB_n and LLB_n bits in the Channel control registers select the loop back modes.

8.2.1 ANALOG LOOPBACK:

In this mode, the transmitter outputs (TTIP_n and TRING_n) are connected internally to the receiver inputs (RTIP_n and RRING_n) as shown in Figure 26. Data and clock are output at RCLK_n, RPOS_n and RNEG_n pins for the corresponding transceiver. Analog loop back exercises most of the functional blocks of the device including the jitter attenuator which can be selected in either the transmit or receive path.

XRT73L02M can be configured in Analog Loopback either in Hardware mode via the LLB_n and RLB_n pins or in Host mode via LLB_n and RLB_n bits in the channel control registers.

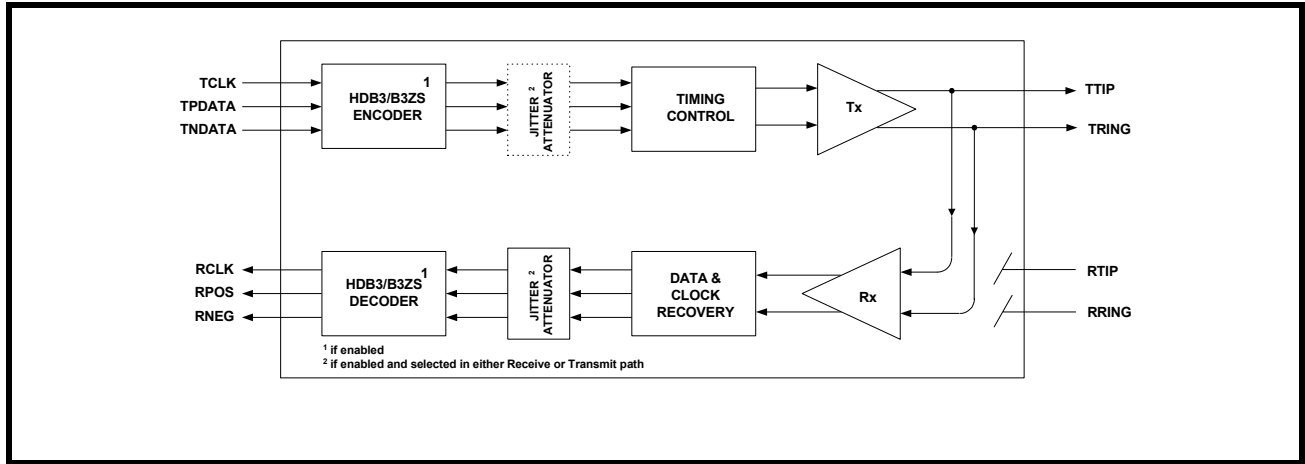
NOTES:

1. In the Analog loopback mode, data is also output via TTIP_n and TRING_n pins.
2. Signals on the RTIP_n and RRING_n pins are ignored during analog loop back.

TWO CHANNEL E3/DS3/STS-1 LINE INTERFACE UNIT

REV. 1.0.0

FIGURE 25. ANALOG LOOPBACK

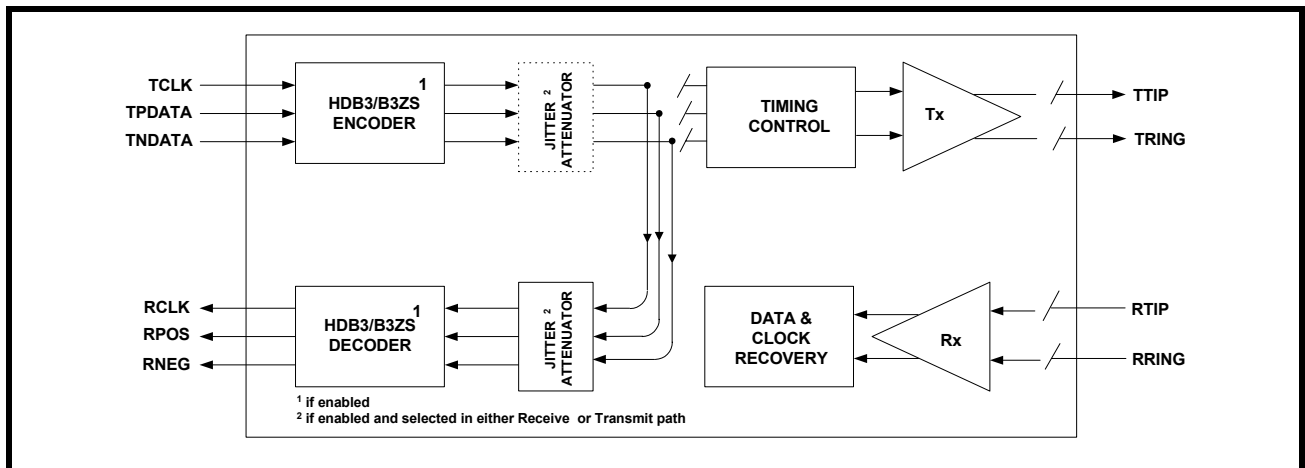


8.2.2 DIGITAL LOOPBACK:

The Digital Loopback function is available either in Hardware mode or Host mode. When the Digital Loopback is selected, the transmit clock (TxClk_n) and transmit data inputs (TPOS_n & TNEG_n) are looped back and output onto the RxClk_n, RPOS_n and RNEG_n pins as shown in Figure 27. The data presented on TxClk, TPOS and TNEG are not output on the TTIP and TRING pins. This provides the capability to configure the protection card (in redundancy applications) in Digital Loopback mode without affecting the traffic on the primary card.

NOTE: Signals on the RTIP_n and RRING_n pins are ignored during digital loop back.

FIGURE 26. DIGITAL LOOPBACK



8.2.3 REMOTE LOOPBACK:

With Remote loop back activated as shown in Figure 28, the receive data on RTIP and RRING is looped back after the jitter attenuator (if selected in receive or transmit path) to the transmit path using RxClk as transmit timing. The receive data is also output via the RPOS and RNEG pins.

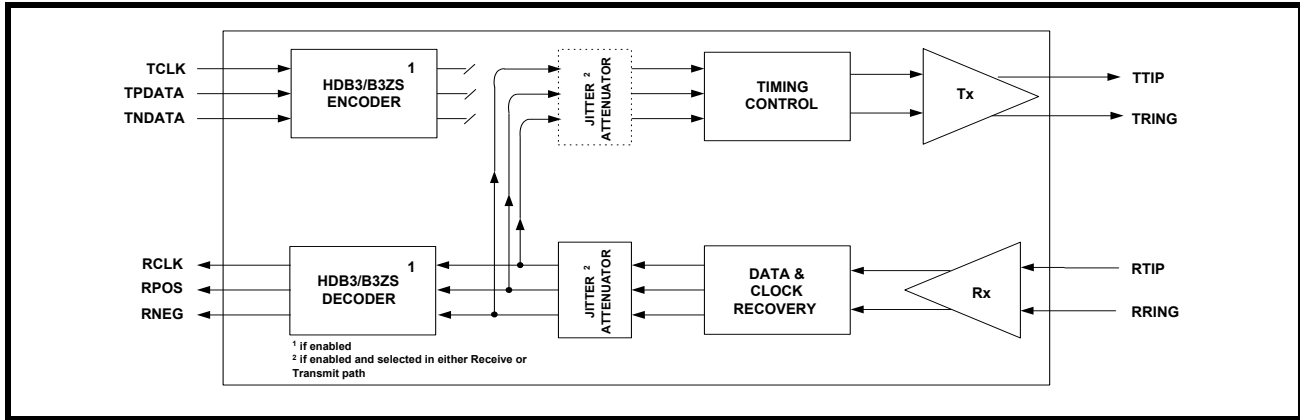
TWO CHANNEL E3/DS3/STS-1 LINE INTERFACE UNIT

REV. 1.0.0

During the remote loop back mode, if the jitter attenuator is selected in the transmit path, the receive data after the Clock and Data Recovery Block is looped back to the transmit path and passed through the jitter attenuator using RxClk as the transmit timing.

NOTE: Input signals on TxClk, TPOS and TNEG are ignored during Remote loop back.

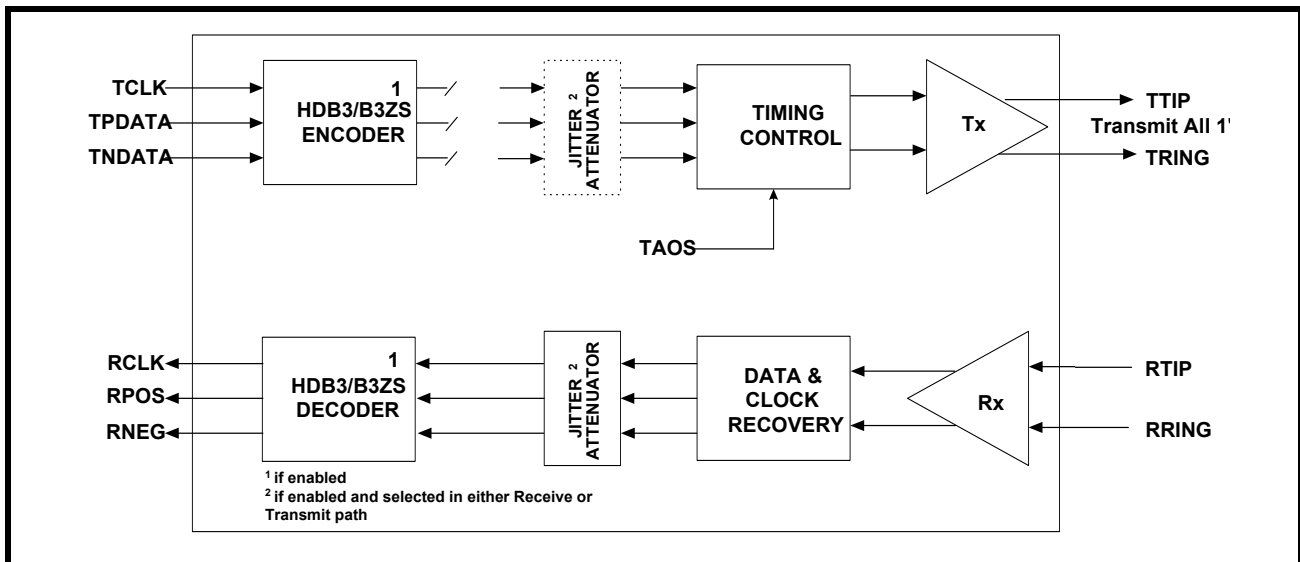
FIGURE 27. REMOTE LOOPBACK



8.3 TRANSMIT ALL ONES (TAOS):

Transmit All Ones (TAOS) can be set either in Hardware mode by pulling the TAOS_n pins “High” or in Host mode by setting the TAOS_n control bits to “1” in the Channel control registers. When the TAOS is set, the Transmit Section generates and transmits a continuous AMI all “1’s” pattern on TTIP_n and TRING_n pins. The frequency of this “1’s” pattern is determined by TxClk_n. TAOS data path is shown in Figure 29.

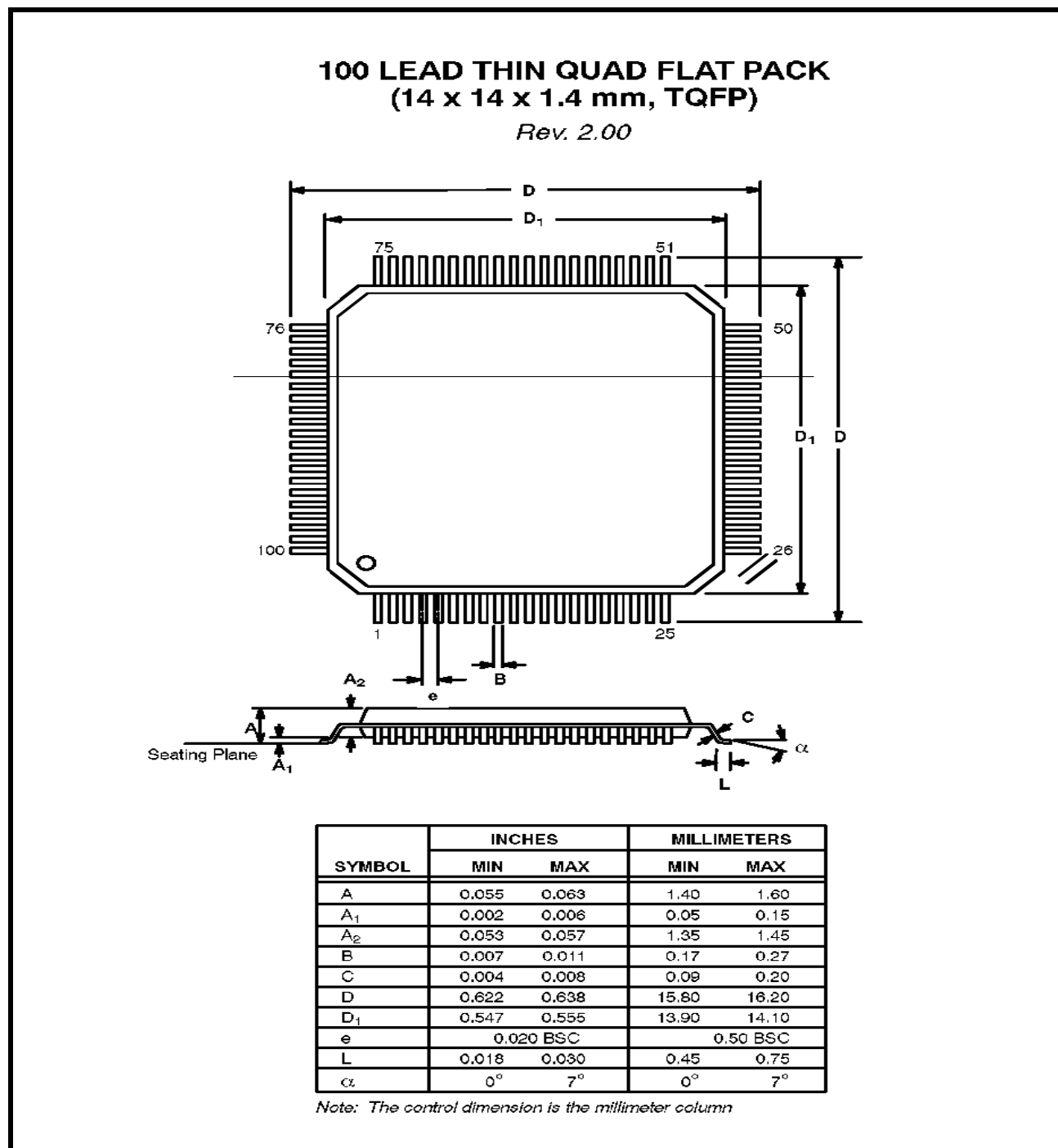
FIGURE 28. TRANSMIT ALL ONES (TAOS)



ORDERING INFORMATION

PART NUMBER	PACKAGE TYPE	OPERATING TEMPERATURE RANGE
XRT73L02MIV	14x14 mm, 100 Lead Plastic QFP	-40°C to +85°C

PACKAGE DIMENSIONS



REVISION HISTORY**NOTICE**

EXAR Corporation reserves the right to make changes to the products contained in this publication in order to improve design, performance or reliability. EXAR Corporation assumes no responsibility for the use of any circuits described herein, conveys no license under any patent or other right, and makes no representation that the circuits are free of patent infringement. Charts and schedules contained here in are only for illustration purposes and may vary depending upon a user's specific application. While the information in this publication has been carefully checked; no responsibility, however, is assumed for inaccuracies.

EXAR Corporation does not recommend the use of any of its products in life support applications where the failure or malfunction of the product can reasonably be expected to cause failure of the life support system or to significantly affect its safety or effectiveness. Products are not authorized for use in such applications unless EXAR Corporation receives, in writing, assurances to its satisfaction that: (a) the risk of injury or damage has been minimized; (b) the user assumes all such risks; (c) potential liability of EXAR Corporation is adequately protected under the circumstances.

Copyright 2000 EXAR Corporation

Datasheet May 2003.

Reproduction, in part or whole, without the prior written consent of EXAR Corporation is prohibited.

Компания «Life Electronics» занимается поставками электронных компонентов импортного и отечественного производства от производителей и со складов крупных дистрибьюторов Европы, Америки и Азии.

С конца 2013 года компания активно расширяет линейку поставок компонентов по направлению коаксиальный кабель, кварцевые генераторы и конденсаторы (керамические, пленочные, электролитические), за счёт заключения дистрибьюторских договоров

Мы предлагаем:

- Конкурентоспособные цены и скидки постоянным клиентам.
- Специальные условия для постоянных клиентов.
- Подбор аналогов.
- Поставку компонентов в любых объемах, удовлетворяющих вашим потребностям.
- Приемлемые сроки поставки, возможна ускоренная поставка.
- Доставку товара в любую точку России и стран СНГ.
- Комплексную поставку.
- Работу по проектам и поставку образцов.
- Формирование склада под заказчика.
- Сертификаты соответствия на поставляемую продукцию (по желанию клиента).
- Тестирование поставляемой продукции.
- Поставку компонентов, требующих военную и космическую приемку.
- Входной контроль качества.
- Наличие сертификата ISO.

В составе нашей компании организован Конструкторский отдел, призванный помогать разработчикам, и инженерам.

Конструкторский отдел помогает осуществить:

- Регистрацию проекта у производителя компонентов.
- Техническую поддержку проекта.
- Защиту от снятия компонента с производства.
- Оценку стоимости проекта по компонентам.
- Изготовление тестовой платы монтаж и пусконаладочные работы.



Тел: +7 (812) 336 43 04 (многоканальный)

Email: org@lifeelectronics.ru