

## Features

## Regulated Converters

- Universal Input 80-264VAC or 115-370VDC
- Operating Temperature Range of -25°C to +85°C
- Isolated Output 3kVAC / 1 min
- Short Circuit and Overcurrent Protection
- Low Output Ripple & Noise
- Low Cost AC/DC Power Supply
- EN, UL and CE certified

## Description

The ultra-compact wired RAC04-C/W modules are available with output voltages of 3.3, 5, 9, 12, 15, and 24V, and the input-to-output isolation is approximately 3kVAC/1min. With a standby consumption of 100mW typical, the mini power supplies are particularly suitable for energy-saving sleep mode and standby applications. Because of its compact design (height <17 mm), it is a versatile solution for home automation and other similar applications. Complete with an integrated input filter, the series has enhanced EMI performance and complies with EN55022, class B. The mini power supplies are also protected against short circuit with fully automatic restart after the error has been solved. The converters are EN/UL60950-1 certified and come complete with a 3 year warranty.

## Selection Guide

| Part Number   | Input Voltage (VAC) | Output Voltage (VDC) | Output Current max. (mA) | Efficiency Typ. (%) | Capacitive Load max. |
|---------------|---------------------|----------------------|--------------------------|---------------------|----------------------|
| RAC04-3.3SC/W | 80-264              | 3.3                  | 1200                     | 67                  | 3000µF               |
| RAC04-05SC/W  | 80-264              | 5                    | 800                      | 72                  | 1600µF               |
| RAC04-09SC/W  | 80-264              | 9                    | 444                      | 76                  | 850µF                |
| RAC04-12SC/W  | 80-264              | 12                   | 333                      | 77                  | 150µF                |
| RAC04-15SC/W  | 80-264              | 15                   | 267                      | 77                  | 100µF                |
| RAC04-24SC/W  | 80-264              | 24                   | 167                      | 79                  | 82µF                 |

## Specifications (measured at TA 25°C, nominal input voltage, full load after warm-up)

|                                     |   |                         |
|-------------------------------------|---|-------------------------|
| Input Voltage Range (with Derating) | 80-264VAC or 115-370VDC                     |                         |
| Input Frequency (for AC Input)      | 47-63Hz                                     |                         |
| Input Current (Full Load)           | 115VAC / 230VAC                             | 110mA / 72mA max.       |
| Inrush Current                      | 115VAC / 230VAC                             | 30A / 60A max.          |
| No Load Power Consumption           | 80-264VAC                                   | 100mW typ. / 200mW max. |
| Output Voltage (Vout nom.)          | 3.3V-24V                                    |                         |
| Output Current Range                | 167mA - 1200mA                              |                         |
| Rated Output Power                  | 4W max.                                     |                         |
| Output Voltage Tolerance            | ±2% typ. / ±5% max.                         |                         |
| Minimum Load                        | 0%  |                         |
| Output Ripple & Noise               | (Full Load) 115VAC / 230VAC @ 20MHz limited | 200mVp-p max.           |
| Line Voltage Regulation             | LL-HL at full Load                          | ±0.5% typ. / ±1% max.   |
| Load Voltage Regulation             | 10%-100% Load                               | ±1.5% typ. / ±5% max.   |
| Over Load Protection                | 105% - 155%                                 |                         |
| Over Voltage Category               | OVC II                                      |                         |
| Leakage Current                     | 0.85µxA max.                                |                         |
| Operating Frequency                 | Full Load                                   | 40kHz typ.              |
| Isolation Voltage                   | Input-Output                                | 3kVAC / 1 minute        |
| Isolation Resistance                | Input-Output                                | 1G Ω min.               |
| Isolation Capacitance               | Input-Output                                | 1000pF typ.             |
| Short Circuit Protection            | Hiccup, Auto Restart                        |                         |
| Operating Temperature Range         | natural convection, without derating        | -20°C to +60°C          |
|                                     | natural air convection, with derating       | -25°C to +85°C          |
| Storage Temperature Range           | -40°C to +100°C                             |                         |
| Case Material                       | UL94V-0 black plastic                       |                         |
| Potting Material                    | Silicone                                    |                         |
| Relative Humidity                   | 95% RH max.                                 |                         |
| Package Weight                      | 32g typ.                                    |                         |

continued on next page

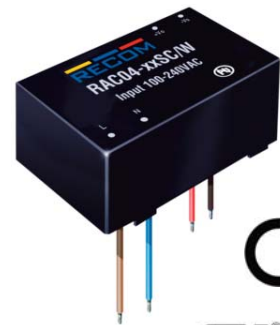
## POWERLINE

### AC/DC-Converter

with 3 year Warranty

# RECOM

## 4 Watt Single Output

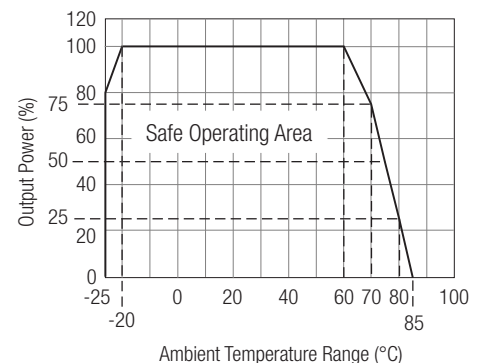


**CE**  
**RoHS**  
2011/65/EU  
6/6  
**E224736**

**EN-60950-1 Certified**  
**IEC-60950-1 Certified**  
**UL-60950-1 Certified**

## RAC04-C/W

## Derating-Graph (Ambient Temperature)

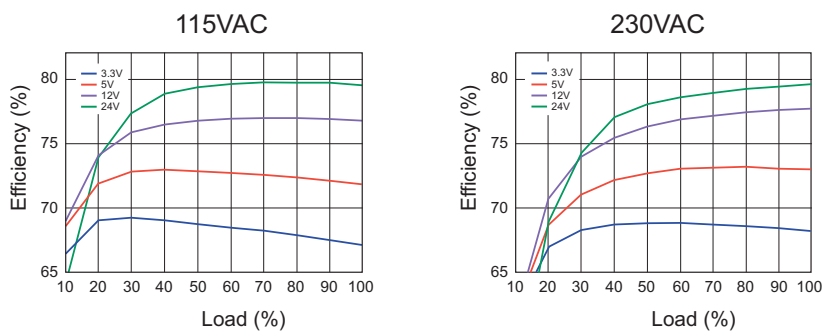


**Specifications** (measured at TA 25°C, nominal input voltage, full load after warm-up)

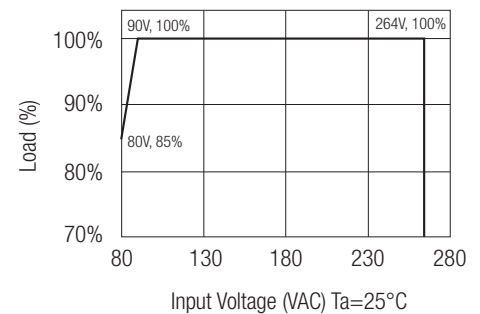
|                    |                            |                             |
|--------------------|----------------------------|-----------------------------|
| Package Quantity   |                            | 30pcs                       |
| Physical           | Dimension (LxWxH)          | 37.80 x 23.90 x 16.40 mm    |
| MTBF               | 115VAC, 25°C               | 820 x 10 <sup>3</sup> hours |
|                    | 230VAC, 25°C               | 735 x 10 <sup>3</sup> hours |
|                    | 115VAC, 60°C               | 550 x 10 <sup>3</sup> hours |
|                    | 230VAC, 25°C               | 430 x 10 <sup>3</sup> hours |
| EMC                | Conducted and Radiated     | EN55022, Class B            |
|                    | Noise Immunity             | EN55024                     |
| Safety Standard    |                            |                             |
| EN General Safety  | Report: SPCLVD1310055-1    | EN-60950-1, 3rd Edition     |
| IEC General Safety | CB Report: 1311055-CB      | IEC-60950-1 2nd Edition     |
| UL General Safety  | Report Number: E224736-A21 | UL-60950-1, 2nd Edition     |
|                    |                            | CSA C22.2 No. 60950-1-07    |

**Typical Characteristic**

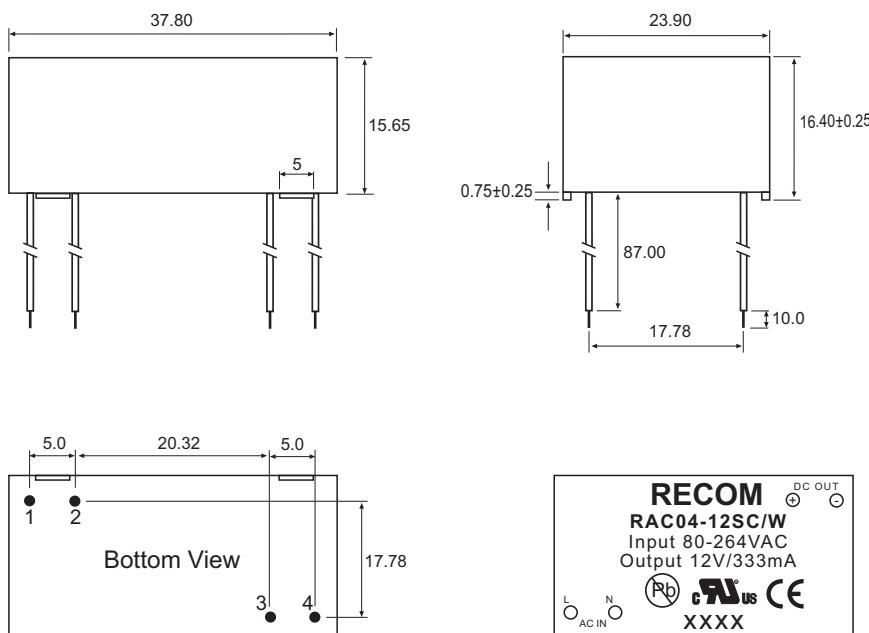
Input Voltage Derating Graph



Efficiency vs Load



**Package Style and Pinning**



**Wired Connections**

| Wired Color | Type           | Function   |
|-------------|----------------|------------|
| 1 Brown     | UL-1015 AWG#22 | VAC in (L) |
| 2 Blue      | UL-1015 AWG#22 | VAC in (N) |
| 3 Red       | UL-1430 AWG#22 | +VDC out   |
| 4 Black     | UL-1430 AWG#22 | -VDC out   |

Case Tolerance ±0.5mm  
Unless otherwise specified

The product information and specifications are subject to change without prior notice. RECOM products are not authorized for use in safety-critical applications (such as life support) without RECOM's explicit written consent. A safety-critical application is defined as an application where a failure of a RECOM product may reasonably be expected to endanger or cause loss of life, inflict bodily harm or damage property. The buyer shall indemnify and hold harmless RECOM, its affiliated companies and its representatives against any damage claims in connection with the unauthorized use of RECOM products in such safety-critical applications.

Компания «Life Electronics» занимается поставками электронных компонентов импортного и отечественного производства от производителей и со складов крупных дистрибьюторов Европы, Америки и Азии.

С конца 2013 года компания активно расширяет линейку поставок компонентов по направлению коаксиальный кабель, кварцевые генераторы и конденсаторы (керамические, пленочные, электролитические), за счёт заключения дистрибьюторских договоров

Мы предлагаем:

- Конкурентоспособные цены и скидки постоянным клиентам.
- Специальные условия для постоянных клиентов.
- Подбор аналогов.
- Поставку компонентов в любых объемах, удовлетворяющих вашим потребностям.
- Приемлемые сроки поставки, возможна ускоренная поставка.
- Доставку товара в любую точку России и стран СНГ.
- Комплексную поставку.
- Работу по проектам и поставку образцов.
- Формирование склада под заказчика.
- Сертификаты соответствия на поставляемую продукцию (по желанию клиента).
- Тестирование поставляемой продукции.
- Поставку компонентов, требующих военную и космическую приемку.
- Входной контроль качества.
- Наличие сертификата ISO.

В составе нашей компании организован Конструкторский отдел, призванный помогать разработчикам, и инженерам.

Конструкторский отдел помогает осуществить:

- Регистрацию проекта у производителя компонентов.
- Техническую поддержку проекта.
- Защиту от снятия компонента с производства.
- Оценку стоимости проекта по компонентам.
- Изготовление тестовой платы монтаж и пусконаладочные работы.



Тел: +7 (812) 336 43 04 (многоканальный)

Email: [org@lifeelectronics.ru](mailto:org@lifeelectronics.ru)