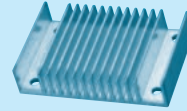


TUNS50F

TUN S 50 F 05 -□
 ① ② ③ ④ ⑤ ⑥



*Providing heat sink as option



- ① Series name
- ② Single output
- ③ Output wattage
- ④ Universal Input
- ⑤ Output voltage
- ⑥ Optional
- T : with Mounting hole (φ 3.4 thru)

*Avoid short circuit between +BC and -BC. It may cause the failure of inside components.
 *Keep TRM open, if output voltage adjustment is not necessary.

| MODEL | TUNS50F05 | TUNS50F12 | TUNS50F24 |
|-----------------------|-----------|-----------|-----------|
| MAX OUTPUT WATTAGE[W] | 50.0 | 50.4 | 50.4 |
| DC OUTPUT | 5V 10A | 12V 4.2A | 24V 2.1A |

SPECIFICATIONS

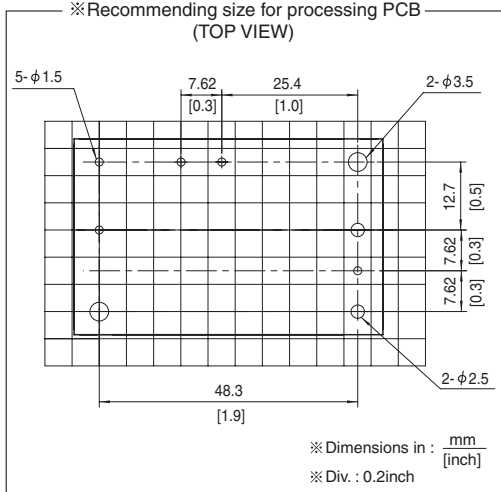
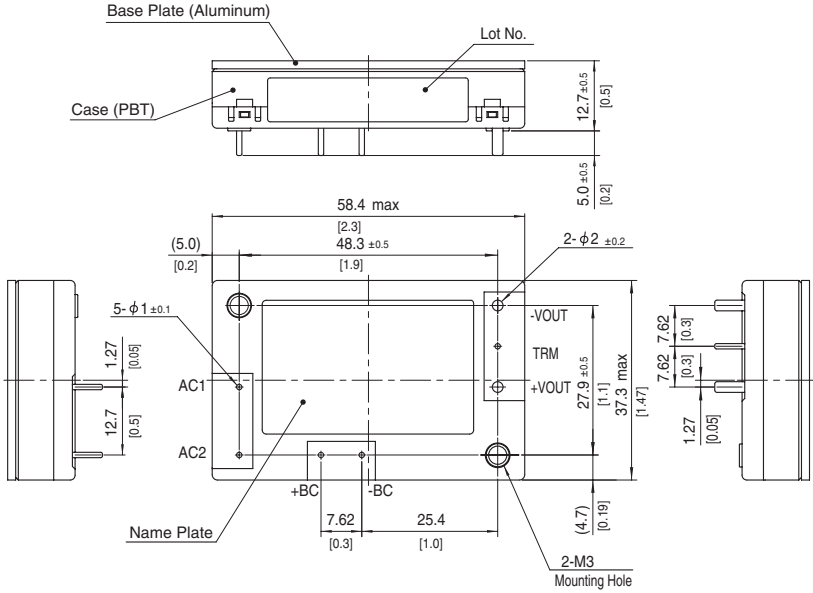
| | MODEL | TUNS50F05 | TUNS50F12 | TUNS50F24 | |
|------------------------------------|--|---|-------------------|---------------|--------|
| INPUT | VOLTAGE[V] | AC85 - 264 1 φ (Please refer to the instruction manual, 6.5 Derating) | | | |
| | CURRENT[A] | ACIN 100V | 0.67typ (Io=100%) | | |
| | | ACIN 200V | 0.35typ (Io=100%) | | |
| | FREQUENCY[Hz] | 50/60 (47 - 63) | | | |
| | EFFICIENCY[%] | ACIN 100V | 79typ | 83typ | 84typ |
| | | ACIN 200V | 81typ | 84typ | 86typ |
| | POWER FACTOR (Io=100%) | ACIN 100V | 0.95typ | | |
| | | ACIN 200V | 0.90typ | | |
| INRUSH CURRENT | Limited by external components (Thermistor) | | | | |
| LEAKAGE CURRENT[mA] | 0.75max (ACIN 240V 60Hz, Io=100%, According to IEC60950-1) | | | | |
| OUTPUT | VOLTAGE[V] | 5 | 12 | 24 | |
| | CURRENT[A] | 10 | 4.2 | 2.1 | |
| | LINE REGULATION[mV] | 10max | 24max | 48max | |
| | LOAD REGULATION[mV] | 10max | 24max | 48max | |
| | RIPPLE[mVp-p] | 0 to +100°C *1 | 80max | 120max | 120max |
| | | -40 to 0°C *1 | 120max | 150max | 150max |
| | | 0 to 15% Load *1 | 200max | 280max | 380max |
| | RIPPLE NOISE[mVp-p] | 0 to +100°C *1 | 120max | 150max | 150max |
| | | -40 to 0°C *1 | 200max | 200max | 250max |
| | | 0 to 15% Load *1 | 280max | 360max | 460max |
| | TEMPERATURE REGULATION[mV] | 0 to +65°C | 50max | 120max | 240max |
| | | -40 to +100°C | 100max | 240max | 480max |
| DRIFT[mV] | *2 | 20max | 40max | 90max | |
| OUTPUT VOLTAGE ADJUSTMENT RANGE[V] | Fixed (TRM pin open), adjustable by external resistor or external signal | | | | |
| OUTPUT VOLTAGE SETTING[V] | 4.50 - 6.00 | 10.80 - 13.20 | 21.60 - 26.40 | | |
| OUTPUT VOLTAGE SETTING[V] | 4.97 - 5.13 | 11.91 - 12.29 | 23.62 - 24.38 | | |
| PROTECTION CIRCUIT AND OTHERS | OVERCURRENT PROTECTION | Works over 105% of rating and recovers automatically | | | |
| | OVERVOLTAGE PROTECTION[V] | 6.30 - 7.00 | 13.90 - 16.35 | 27.60 - 32.40 | |
| | REMOTE SENSING | Not provided | | | |
| | REMOTE ON/OFF | Not provided | | | |
| ISOLATION | INPUT-OUTPUT | AC3,000V 1minute, Cutoff current = 10mA, DC500V 50MΩ min (20±15°C) | | | |
| | INPUT-FG | AC2,000V 1minute, Cutoff current = 10mA, DC500V 50MΩ min (20±15°C) | | | |
| | OUTPUT-FG | AC500V 1minute, Cutoff current = 100mA, DC500V 50MΩ min (20±15°C) | | | |
| ENVIRONMENT | OPERATING TEMP., HUMID. AND ALTITUDE | -40 to +100°C (On aluminum base plate), 20 - 95%RH (Non condensing) (Refer to DERATING CURVE), 3,000m (10,000 feet) max | | | |
| | STORAGE TEMP., HUMID. AND ALTITUDE | -40 to +100°C, 20 - 95%RH (Non condensing), 9,000m (30,000 feet) max | | | |
| | VIBRATION | 10 - 55Hz, 49.0m/s ² (5G), 3minutes period, 60minutes each along X, Y and Z axis | | | |
| SAFETY AND NOISE REGULATIONS | IMPACT | 196.1m/s ² (20G), 11ms, once each along X, Y and Z axis | | | |
| | AGENCY APPROVALS | UL60950-1, C-UL (CSA60950-1), EN60950-1, EN50178 | | | |
| OTHERS | HARMONIC ATTENUATOR | Complies with IEC61000-3-2 (Class A) *3 | | | |
| | CASE SIZE/WEIGHT | 58.4 X 12.7 X 37.3mm [2.3 X 0.5 X 1.47 inches] (W X H X D) / 80g max | | | |
| | COOLING METHOD | Conduction cooling (e.g. heat radiation from the aluminum base plate to the attached heat sink) | | | |

*1 Refer to instruction manual for measuring method of electric characteristics.

*2 Drift is the change in DC output for an eight hour period after a half-hour warm-up at 25°C, with the input voltage held constant at the rated input/output.

*3 Please contact us about another class.

External view

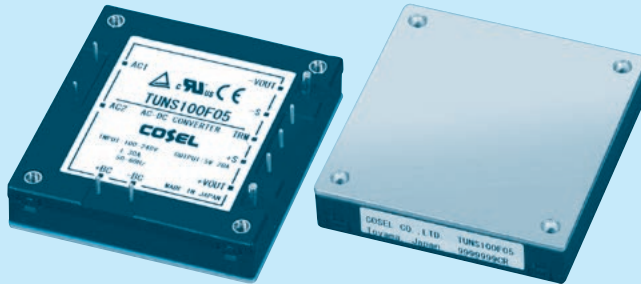


- ※ Tolerance : ± 0.3 [± 0.012]
- ※ Weight : 80g max
- ※ Dimensions in mm, []=inches
- ※ Mounting hole screwing torque : $0.49\text{N} \cdot \text{m}$ ($5.0\text{kgf} \cdot \text{cm}$) max

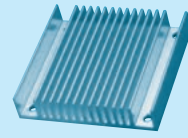
TUNS100F

TUN S 100 F 05 -□

① ② ③ ④ ⑤ ⑥



*Providing heat sink as option



- ① Series name
- ② Single output
- ③ Output wattage
- ④ Universal Input
- ⑤ Output voltage
- ⑥ Optional
- T : with Mounting hole (φ 3.4 thru)

- *Avoid short circuit between +BC and -BC. It may cause the failure of inside components.
- *Keep TRM open, if output voltage adjustment is not necessary.
- *If remote sensing is not necessary, connect between +Vout & +S and between -Vout & -S.

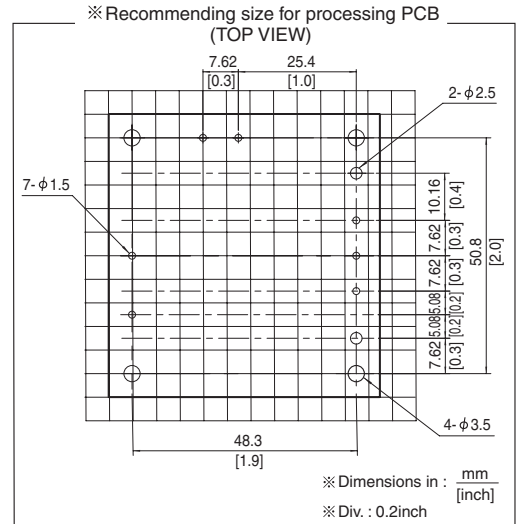
| MODEL | TUNS100F05 | TUNS100F12 | TUNS100F24 |
|-----------------------|------------|------------|------------|
| MAX OUTPUT WATTAGE[W] | 100.0 | 100.8 | 100.8 |
| DC OUTPUT | 5V 20A | 12V 8.4A | 24V 4.2A |

SPECIFICATIONS

| | MODEL | TUNS100F05 | TUNS100F12 | TUNS100F24 | |
|------------------------------------|--|---|------------------|---------------|--------|
| INPUT | VOLTAGE[V] | AC85 - 264 1 φ (Please refer to the instruction manual, 6.5 Derating) | | | |
| | CURRENT[A] | ACIN 100V | 1.3typ (Io=100%) | | |
| | | ACIN 200V | 0.7typ (Io=100%) | | |
| | FREQUENCY[Hz] | 50/60 (47 - 63) | | | |
| | EFFICIENCY[%] | ACIN 100V | 82typ | 83typ | 84typ |
| | | ACIN 200V | 85typ | 85typ | 86typ |
| | POWER FACTOR (Io=100%) | ACIN 100V | 0.95typ | | |
| | | ACIN 200V | 0.90typ | | |
| INRUSH CURRENT | Limited by external components (Thermistor) | | | | |
| LEAKAGE CURRENT[mA] | 0.75max (ACIN 240V 60Hz, Io=100%, According to IEC60950-1) | | | | |
| OUTPUT | VOLTAGE[V] | 5 | 12 | 24 | |
| | CURRENT[A] | 20 | 8.4 | 4.2 | |
| | LINE REGULATION[mV] | 10max | 24max | 48max | |
| | LOAD REGULATION[mV] | 10max | 24max | 48max | |
| | RIPPLE[mVp-p] | 0 to +100°C *1 | 80max | 120max | 120max |
| | | -40 to 0°C *1 | 120max | 150max | 150max |
| | | 0 to 15% Load *1 | 160max | 240max | 240max |
| | RIPPLE NOISE[mVp-p] | 0 to +100°C *1 | 120max | 150max | 150max |
| | | -40 to 0°C *1 | 200max | 200max | 250max |
| | | 0 to 15% Load *1 | 240max | 300max | 300max |
| | TEMPERATURE REGULATION[mV] | 0 to +65°C | 50max | 120max | 240max |
| | | -40 to +100°C | 100max | 240max | 480max |
| DRIFT[mV] | *2 | 20max | 40max | 90max | |
| OUTPUT VOLTAGE ADJUSTMENT RANGE[V] | Fixed (TRM pin open), adjustable by external resistor or external signal | | | | |
| OUTPUT VOLTAGE SETTING[V] | 4.50 - 6.00 | 10.80 - 13.20 | 21.60 - 26.40 | | |
| OUTPUT VOLTAGE SETTING[V] | 4.97 - 5.13 | 11.91 - 12.29 | 23.62 - 24.38 | | |
| PROTECTION CIRCUIT AND OTHERS | OVERCURRENT PROTECTION | Works over 105% of rating and recovers automatically | | | |
| | OVERVOLTAGE PROTECTION[V] | 6.30 - 7.00 | 13.90 - 16.35 | 27.60 - 32.40 | |
| | REMOTE SENSING | Provided | | | |
| | REMOTE ON/OFF | Not provided | | | |
| ISOLATION | INPUT-OUTPUT | AC3,000V 1minute, Cutoff current = 10mA, DC500V 50MΩ min (20±15°C) | | | |
| | INPUT-FG | AC2,000V 1minute, Cutoff current = 10mA, DC500V 50MΩ min (20±15°C) | | | |
| | OUTPUT-FG | AC500V 1minute, Cutoff current = 100mA, DC500V 50MΩ min (20±15°C) | | | |
| ENVIRONMENT | OPERATING TEMP., HUMID. AND ALTITUDE | -40 to +100°C (On aluminum base plate), 20 - 95%RH (Non condensing) (Refer to DERATING CURVE), 3,000m (10,000 feet) max | | | |
| | STORAGE TEMP., HUMID. AND ALTITUDE | -40 to +100°C, 20 - 95%RH (Non condensing), 9,000m (30,000 feet) max | | | |
| | VIBRATION | 10 - 55Hz, 49.0m/s ² (5G), 3minutes period, 60minutes each along X, Y and Z axis | | | |
| | IMPACT | 196.1m/s ² (20G), 11ms, once each along X, Y and Z axis | | | |
| SAFETY AND NOISE REGULATIONS | AGENCY APPROVALS | UL60950-1, C-UL (CSA60950-1), EN60950-1, EN50178 | | | |
| | HARMONIC ATTENUATOR | Complies with IEC61000-3-2 (Class A) *3 | | | |
| OTHERS | CASE SIZE/WEIGHT | 58.4 × 12.7 × 61.0mm [2.3 × 0.5 × 2.4 inches] (W × H × D) / 120g max | | | |
| | COOLING METHOD | Conduction cooling (e.g. heat radiation from the aluminum base plate to the attached heat sink) | | | |

*1 Refer to instruction manual for measuring method of electric characteristics.
 *2 Drift is the change in DC output for an eight hour period after a half-hour warm-up at 25°C, with the input voltage held constant at the rated input/output.
 *3 Please contact us about another class.

External view



- ※ Tolerance : ± 0.3 [± 0.012]
- ※ Weight : 120g max
- ※ Dimensions in mm, []=inches
- ※ Mounting hole screwing torque : $0.49\text{N} \cdot \text{m}$ (5.0kgf · cm) max

TUNS300F

TUN S 300 F 48 -□

① ② ③ ④ ⑤ ⑥



- ① Series name
- ② Single output
- ③ Output wattage
- ④ Universal Input
- ⑤ Output voltage
- ⑥ Optional
 - T : with Mounting hole (φ 3.4 thru)
 - Y1: Output voltage adjustment range ±20% (Only 48V)
 - R1: with Remote ON/OFF
 - R2: with Remote ON/OFF (Low standby power)

* Avoid short circuit between +BC/R and -BC. It may cause the failure of inside components.
 * Keep TRM open, if output voltage adjustment is not necessary.
 * If remote sensing is not necessary, connect between +Vout & +S and between -Vout & -S.

| MODEL | TUNS300F12 | TUNS300F28 | TUNS300F48 |
|-----------------------|------------|------------|------------|
| MAX OUTPUT WATTAGE[W] | 300 | 308 | 312 |
| DC OUTPUT | 12V 25A | 28V 11A | 48V 6.5A |

SPECIFICATIONS

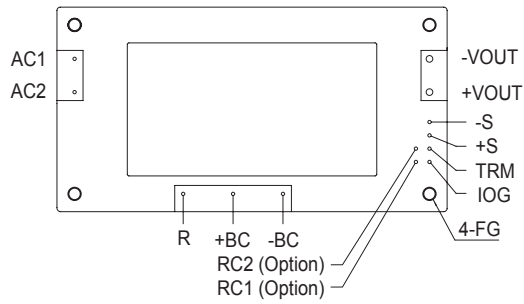
| | MODEL | TUNS300F12 | TUNS300F28 | TUNS300F48 | |
|-------------------------------|--------------------------------------|---|------------------|--|--------|
| INPUT | VOLTAGE[V] | AC85 - 264 1 φ | | | |
| | CURRENT[A] | ACIN 100V | 3.6typ (Io=100%) | | |
| | | ACIN 200V | 1.8typ (Io=100%) | | |
| | FREQUENCY[Hz] | 50/60 (47 - 63) | | | |
| | EFFICIENCY[%] | ACIN 100V | 84typ | 87typ | 87typ |
| | | ACIN 200V | 86typ | 89typ | 90typ |
| | POWER FACTOR (Io=100%) | ACIN 100V | 0.96typ | | |
| | | ACIN 200V | 0.93typ | | |
| | INRUSH CURRENT | Limited by external resistance | | | |
| | LEAKAGE CURRENT[ma] | 0.75max (ACIN 240V 60Hz, Io=100%, According to IEC60950-1) | | | |
| OUTPUT | VOLTAGE[V] | 12 | 28 | 48 | |
| | CURRENT[A] | 25 | 11 | 6.5 | |
| | LINE REGULATION[mV] | 24max | 56max | 96max | |
| | LOAD REGULATION[mV] | 24max | 56max | 96max | |
| | RIPPLE[mVp-p] | 0 to +100°C *1 | 120max | 180max | 250max |
| | | -40 to 0°C *1 | 150max | 200max | 300max |
| | RIPPLE NOISE[mVp-p] | 0 to +100°C *1 | 150max | 200max | 300max |
| | | -40 to 0°C *1 | 200max | 300max | 450max |
| | TEMPERATURE REGULATION[mV] | 0 to +65°C | 120max | 280max | 480max |
| | | -40 to +100°C | 240max | 560max | 960max |
| | DRIFT[mV] | *2 | 40max | 90max | 180max |
| | OUTPUT VOLTAGE ADJUSTMENT RANGE[V] | Fixed (TRM pin open), adjustable by external resistor or external signal 9.60 - 14.40 | | | |
| | OUTPUT VOLTAGE SETTING[V] | 11.91 - 12.29 | 22.40 - 33.60 | 38.40 - 52.80 (-Y1 Option : 38.4 - 57.6) | |
| PROTECTION CIRCUIT AND OTHERS | OVERCURRENT PROTECTION | Works over 105% of rating and recovers automatically | | | |
| | OVERVOLTAGE PROTECTION[V] | 15.00 - 16.80 | 35.00 - 39.20 | 55.20 - 64.80 (-Y1 Option : 60.0 - 67.2) | |
| | REMOTE SENSING | Provided | | | |
| | REMOTE ON/OFF | Optional (External power supply is required) | | | |
| ISOLATION | INPUT-OUTPUT · RC | *4 AC3,000V 1minute, Cutoff current = 10mA, DC500V 50MΩ min (20±15°C) | | | |
| | INPUT-FG | AC2,000V 1minute, Cutoff current = 10mA, DC500V 50MΩ min (20±15°C) | | | |
| | OUTPUT · RC-FG | *4 AC500V 1minute, Cutoff current = 100mA, DC500V 50MΩ min (20±15°C) | | | |
| | OUTPUT-RC | *4 AC100V 1minute, Cutoff current = 100mA, DC100V 10MΩ min (20±15°C) | | | |
| ENVIRONMENT | OPERATING TEMP., HUMID. AND ALTITUDE | -40 to +100°C (On aluminum base plate), 20 - 95%RH (Non condensing) (Refer to DERATING CURVE), 3,000m (10,000 feet) max | | | |
| | STORAGE TEMP., HUMID. AND ALTITUDE | -40 to +100°C, 20 - 95%RH (Non condensing), 9,000m (30,000 feet) max | | | |
| | VIBRATION | 10 - 55Hz, 49.0m/s ² (5G), 3minutes period, 60minutes each along X, Y and Z axis | | | |
| | IMPACT | 196.1m/s ² (20G), 11ms, once each along X, Y and Z axis | | | |
| SAFETY AND NOISE REGULATIONS | AGENCY APPROVALS | UL60950-1, C-UL (CSA60950-1), EN60950-1 | | | |
| | HARMONIC ATTENUATOR | Complies with IEC61000-3-2 (Class A) *3 | | | |
| OTHERS | CASE SIZE/WEIGHT | 117.3 × 12.7 × 61.5mm [4.62 × 0.5 × 2.42 inches] (W × H × D) / 190g max | | | |
| | COOLING METHOD | Conduction cooling (e.g. heat radiation from the aluminum base plate to the attached heat sink) | | | |

*1 Refer to instruction manual for measuring method of electric characteristics.
 *2 Drift is the change in DC output for an eight hour period after a half-hour warm-up at 25°C, with the input voltage held constant at the rated input/output.
 *3 Please contact us about another class.
 *4 "RC" is applicable when remote control (optional) is added.

External view



- ※ Tolerance : ± 0.3 [± 0.012]
- ※ Weight : 190g max
- ※ Dimensions in mm, []=inches
- ※ Mounting hole screwing torque : $0.49\text{N} \cdot \text{m}$ (5.0kgf · cm) max



TUNS500F

TUN S 500 F 48 -□

① ② ③ ④ ⑤ ⑥



- ① Series name
- ② Single output
- ③ Output wattage
- ④ Universal Input
- ⑤ Output voltage
- ⑥ Optional
 - T : with Mounting hole (φ 3.4 thru)
 - Y1: Output voltage adjustment range ±20% (Only 48V)
 - R1: with Remote ON/OFF
 - R2: with Remote ON/OFF (Low standby power)

* Avoid short circuit between +BC/R and -BC. It may cause the failure of inside components.
 * Keep TRM open, if output voltage adjustment is not necessary.
 * If remote sensing is not necessary, connect between +Vout & +S and between -Vout & -S.

| MODEL | TUNS500F12 | TUNS500F28 | TUNS500F48 |
|-----------------------|--------------------|--------------------|----------------------|
| MAX OUTPUT WATTAGE[W] | 504 | 504 | 504 |
| DC OUTPUT | 12V 42A (Peak 55A) | 28V 18A (Peak 24A) | 48V 10.5A (Peak 14A) |

SPECIFICATIONS

| | MODEL | TUNS500F12 | TUNS500F28 | TUNS500F48 | |
|-------------------------------|--|---|------------------|--|---------|
| INPUT | VOLTAGE[V] | AC85 - 264 1 φ | | | |
| | CURRENT[A] | ACIN 100V | 6.0typ (Io=100%) | | |
| | | ACIN 200V | 3.0typ (Io=100%) | | |
| | FREQUENCY[Hz] | 50/60 (47 - 63) | | | |
| | EFFICIENCY[%] | ACIN 100V | 84typ | 87typ | 88typ |
| | | ACIN 200V | 86typ | 90typ | 90.5typ |
| | POWER FACTOR (Io=100%) | ACIN 100V | 0.96typ | | |
| | | ACIN 200V | 0.93typ | | |
| | INRUSH CURRENT | Limited by external resistance | | | |
| | LEAKAGE CURRENT[ma] | 0.75max (ACIN 240V 60Hz, Io=100%, According to IEC60950-1) | | | |
| OUTPUT | VOLTAGE[V] | 12 | 28 | 48 | |
| | CURRENT[A] | *3 42 (Peak 55) | 18 (Peak 24) | 10.5 (Peak 14) | |
| | LINE REGULATION[mV] | 24max | 56max | 96max | |
| | LOAD REGULATION[mV] | 24max | 56max | 96max | |
| | RIPPLE[mVp-p] | 0 to +100°C *1 | 120max | 180max | 250max |
| | | -40 to 0°C *1 | 150max | 200max | 300max |
| | RIPPLE NOISE[mVp-p] | 0 to +100°C *1 | 150max | 200max | 300max |
| | | -40 to 0°C *1 | 200max | 300max | 450max |
| | TEMPERATURE REGULATION[mV] | 0 to +65°C | 120max | 280max | 480max |
| | | -40 to +100°C | 240max | 560max | 960max |
| | DRIFT[mV] | *2 40max | 90max | 180max | |
| | OUTPUT VOLTAGE ADJUSTMENT RANGE[V] | Fixed (TRM pin open), adjustable by external resistor or external signal 9.60 - 14.40 | | | |
| | OUTPUT VOLTAGE SETTING[V] | 11.91 - 12.29 | 27.56 - 28.44 | 47.24 - 48.76 | |
| PROTECTION CIRCUIT AND OTHERS | OVERCURRENT PROTECTION | Works over 101% of peak current and recovers automatically | | | |
| | OVERVOLTAGE PROTECTION[V] | 15.00 - 16.80 | 35.00 - 39.20 | 55.20 - 64.80 (-Y1 Option : 60.0 - 67.2) | |
| | REMOTE SENSING | Provided | | | |
| REMOTE ON/OFF | Optional (External power supply is required) | | | | |
| ISOLATION | INPUT-OUTPUT · RC | *5 AC3,000V 1minute, Cutoff current = 10mA, DC500V 50MΩ min (20±15°C) | | | |
| | INPUT-FG | AC2,000V 1minute, Cutoff current = 10mA, DC500V 50MΩ min (20±15°C) | | | |
| | OUTPUT · RC-FG | *5 AC500V 1minute, Cutoff current = 100mA, DC500V 50MΩ min (20±15°C) | | | |
| | OUTPUT-RC | *5 AC100V 1minute, Cutoff current = 100mA, DC100V 10MΩ min (20±15°C) | | | |
| ENVIRONMENT | OPERATING TEMP., HUMID. AND ALTITUDE | -40 to +100°C (On aluminum base plate), 20 - 95%RH (Non condensing) (Refer to DERATING CURVE), 3,000m (10,000 feet) max | | | |
| | STORAGE TEMP., HUMID. AND ALTITUDE | -40 to +100°C, 20 - 95%RH (Non condensing), 9,000m (30,000 feet) max | | | |
| | VIBRATION | 10 - 55Hz, 49.0m/s ² (5G), 3minutes period, 60minutes each along X, Y and Z axis | | | |
| | IMPACT | 196.1m/s ² (20G), 11ms, once each along X, Y and Z axis | | | |
| SAFETY AND NOISE REGULATIONS | AGENCY APPROVALS | UL60950-1, C-UL (CSA60950-1), EN60950-1 | | | |
| | HARMONIC ATTENUATOR | Complies with IEC61000-3-2 (Class A) *4 | | | |
| OTHERS | CASE SIZE/WEIGHT | 117.3 × 12.7 × 61.5mm [4.62 × 0.5 × 2.42 inches] (W × H × D) / 190g max | | | |
| | COOLING METHOD | Conduction cooling (e.g. heat radiation from the aluminum base plate to the attached heat sink) | | | |

*1 Refer to instruction manual for measuring method of electric characteristics.
 *2 Drift is the change in DC output for an eight hour period after a half-hour warm-up at 25°C, with the input voltage held constant at the rated input/output.
 *3 () means peak current. Avoid operating with peak current continuously. It may cause failure of the components inside the product. There are limitation of available condition of the peak current, such as peak time, duty etc. (Refer to the instruction manual in detail.)
 *4 Please contact us about another class.
 *5 "RC" is applicable when remote control (optional) is added.

TUNS700F

TUN S 700 F 48 -□
 ① ② ③ ④ ⑤ ⑥



- ① Series name
- ② Single output
- ③ Output wattage
- ④ Universal Input
- ⑤ Output voltage
- ⑥ Optional
 - T : with Mounting hole (φ 3.4 thru)
 - Y1: Output voltage adjustment range ±20% (Only 48V)
 - R1: with Remote ON/OFF
 - R2: with Remote ON/OFF (Low standby power)
 - P : Parallel operation (Output voltage variable, Remote sensing disabled)

* Avoid short circuit between +BC/R and -BC. It may cause the failure of inside components.
 * Keep TRM open, if output voltage adjustment is not necessary.
 * If remote sensing is not necessary, connect between +Vout & +S and between -Vout & -S.

| MODEL | TUNS700F12 | TUNS700F28 | TUNS700F48 |
|-----------------------|------------|------------|------------|
| MAX OUTPUT WATTAGE[W] | 700.8 | 700.0 | 700.8 |
| DC OUTPUT | 12V 58.4A | 28V 25A | 48V 14.6A |

SPECIFICATIONS

| | MODEL | TUNS700F12 | TUNS700F28 | TUNS700F48 | |
|-------------------------------|--|--|--|--|--------|
| INPUT | VOLTAGE[V] | AC85 - 264 1 φ | | | |
| | CURRENT[A] | ACIN 100V | 8.6typ (Io=100%) | | |
| | | ACIN 200V | 4.1typ (Io=100%) | | |
| | FREQUENCY[Hz] | 50/60 (47 - 63) | | | |
| | EFFICIENCY[%] | ACIN 100V | 83typ | 86typ | 87typ |
| | | ACIN 200V | 86typ | 89typ | 90typ |
| | POWER FACTOR (Io=100%) | ACIN 100V | 0.96typ | | |
| | | ACIN 200V | 0.93typ | | |
| INRUSH CURRENT | Limited by external resistance | | | | |
| LEAKAGE CURRENT[ma] | 0.75max (ACIN 240V 60Hz, Io=100%, According to IEC60950-1) | | | | |
| OUTPUT | VOLTAGE[V] | 12 | 28 | 48 | |
| | CURRENT[A] | 58.4 | 25 | 14.6 | |
| | LINE REGULATION[mV] | 24max | 56max | 96max | |
| | LOAD REGULATION[mV] | 24max | 56max | 96max | |
| | RIPPLE[mVp-p] | 0 to +100°C *1 | 120max | 180max | 250max |
| | | -40 to 0°C *1 | 150max | 200max | 300max |
| | RIPPLE NOISE[mVp-p] | 0 to +100°C *1 | 150max | 200max | 300max |
| | | -40 to 0°C *1 | 200max | 300max | 450max |
| | TEMPERATURE REGULATION[mV] | 0 to +65°C | 120max | 280max | 480max |
| | | -40 to +100°C | 240max | 560max | 960max |
| | DRIFT[mV] | *2 40max | 90max | 180max | |
| | OUTPUT VOLTAGE ADJUSTMENT RANGE[V] | Fixed (TRM pin open), adjustable by external resistor or external signal | | | |
| OUTPUT VOLTAGE SETTING[V] | 9.60 - 14.40 | 22.40 - 33.60 | 38.40 - 52.80 (-Y1 Option : 38.4 - 57.6) | | |
| | 11.91 - 12.29 | 27.56 - 28.44 | 47.24 - 48.76 | | |
| PROTECTION CIRCUIT AND OTHERS | OVERCURRENT PROTECTION | Works over 105% of rating and recovers automatically | | | |
| | OVERVOLTAGE PROTECTION[V] | 15.00 - 16.80 | 35.00 - 39.20 | 55.20 - 64.80 (-Y1 Option : 60.0 - 67.2) | |
| | REMOTE SENSING | Provided | | | |
| | REMOTE ON/OFF | Optional (External power supply is required) | | | |

| MODEL | TUNS700F12-P | TUNS700F28-P | TUNS700F48-P |
|-----------------------|--------------|--------------|--------------|
| MAX OUTPUT WATTAGE[W] | 700.8 | 700.0 | 700.8 |
| DC OUTPUT | 12V 58.4A | 28V 25A | 48V 14.6A |

SPECIFICATIONS

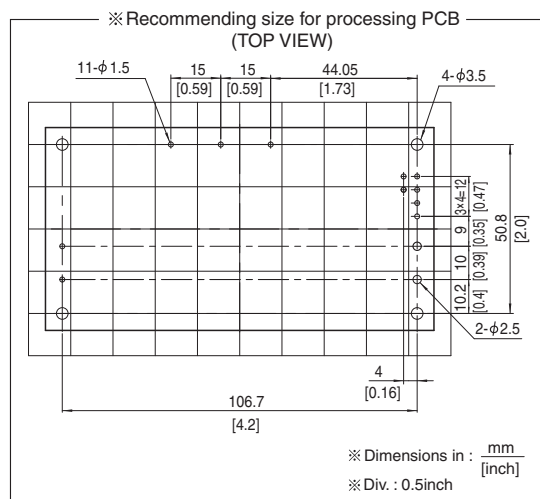
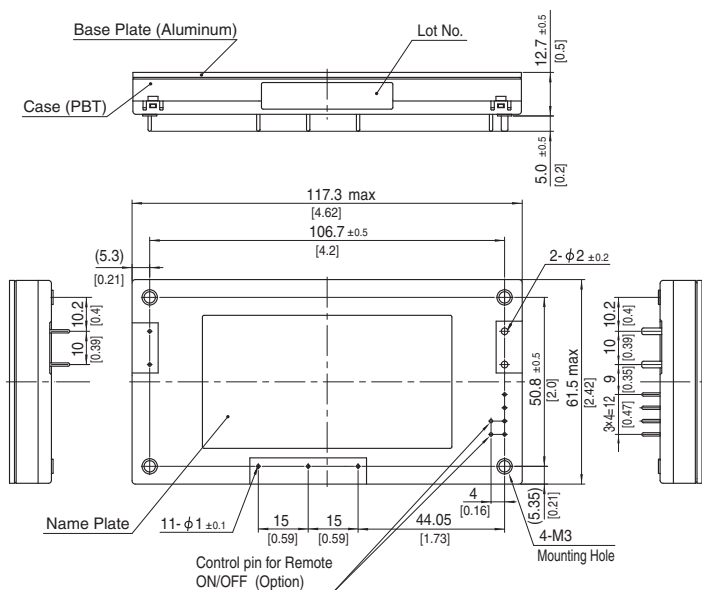
| | MODEL | TUNS700F12-P | TUNS700F28-P | TUNS700F48-P | |
|---------------------|--|--|------------------|---------------|---------|
| INPUT | VOLTAGE[V] | AC85 - 264 1 φ | | | |
| | CURRENT[A] | ACIN 100V | 8.6typ (Io=100%) | | |
| | | ACIN 200V | 4.1typ (Io=100%) | | |
| | FREQUENCY[Hz] | 50/60 (47 - 63) | | | |
| | EFFICIENCY[%] | ACIN 100V | 83typ | 86typ | 87typ |
| | | ACIN 200V | 86typ | 89typ | 90typ |
| | POWER FACTOR (Io=100%) | ACIN 100V | 0.96typ | | |
| | | ACIN 200V | 0.93typ | | |
| INRUSH CURRENT | Limited by external resistance | | | | |
| LEAKAGE CURRENT[ma] | 0.75max (ACIN 240V 60Hz, Io=100%, According to IEC60950-1) | | | | |
| OUTPUT | VOLTAGE[V] | 12 | 28 | 48 | |
| | CURRENT[A] | 58.4 | 25 | 14.6 | |
| | VOLTAGE ACCURACY[%] | +5, -3 | +5, -3 | +5, -3 | |
| | RIPPLE[mVp-p] | 0 to +100°C *1 | 240max | 360max | 600max |
| | | -40 to 0°C *1 | 300max | 400max | 700max |
| | RIPPLE NOISE[mVp-p] | 0 to +30% Load *1 | 360max | 540max | 900max |
| | | 0 to +100°C *1 | 300max | 400max | 700max |
| | | -40 to 0°C *1 | 400max | 600max | 1000max |
| | | 0 to +30% Load *1 | 450max | 600max | 1000max |
| | OVERCURRENT PROTECTION | Works over 105% of rating and recovers automatically | | | |
| | OVERVOLTAGE PROTECTION[V] | 15.00 - 16.80 | 35.00 - 39.20 | 55.20 - 64.80 | |
| | REMOTE ON/OFF | Optional (External power supply is required) | | | |

GENERAL SPECIFICATIONS

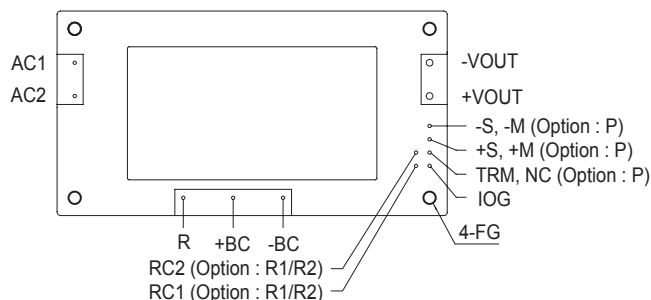
| | | |
|------------------------------|--------------------------------------|---|
| ISOLATION | INPUT-OUTPUT · RC | *4 AC3,000V 1minute, Cutoff current = 10mA, DC500V 50MΩ min (20±15°C) |
| | INPUT-FG | AC2,000V 1minute, Cutoff current = 10mA, DC500V 50MΩ min (20±15°C) |
| | OUTPUT · RC-FG | *4 AC500V 1minute, Cutoff current = 100mA, DC500V 50MΩ min (20±15°C) |
| | OUTPUT-RC | *4 AC100V 1minute, Cutoff current = 100mA, DC100V 10MΩ min (20±15°C) |
| ENVIRONMENT | OPERATING TEMP., HUMID. AND ALTITUDE | -40 to +100°C (On aluminum base plate), 20 - 95%RH (Non condensing) (Refer to DERATING CURVE), 3,000m (10,000 feet) max |
| | STORAGE TEMP., HUMID. AND ALTITUDE | -40 to +100°C, 20 - 95%RH (Non condensing), 9,000m (30,000 feet) max |
| | VIBRATION | 10 - 55Hz, 49.0m/s ² (5G), 3minutes period, 60minutes each along X, Y and Z axis |
| | IMPACT | 196.1m/s ² (20G), 11ms, once each along X, Y and Z axis |
| SAFETY AND NOISE REGULATIONS | AGENCY APPROVALS | UL60950-1, C-UL (CSA60950-1), EN60950-1 |
| | HARMONIC ATTENUATOR | Complies with IEC61000-3-2 (Class A) *3 |
| OTHERS | CASE SIZE/WEIGHT | 117.3×12.7×61.5mm [4.62×0.5×2.42 inches] (W×H×D) / 190g max |
| | COOLING METHOD | Conduction cooling (e.g. heat radiation from the aluminum base plate to the attached heat sink) |

- *1 Refer to instruction manual for measuring method of electric characteristics.
- *2 Drift is the change in DC output for an eight hour period after a half-hour warm-up at 25°C, with the input voltage held constant at the rated input/output.
- *3 Please contact us about another class.
- *4 "RC" is applicable when remote control (optional) is added.

External view



- ※ Tolerance : ±0.3 [±0.012]
- ※ Weight : 190g max
- ※ Dimensions in mm, []=inches
- ※ Mounting hole screwing torque : 0.49N · m (5.0kgf · cm) max



Mouser Electronics

Authorized Distributor

Click to View Pricing, Inventory, Delivery & Lifecycle Information:

Cosel:

[TUNS100F05](#) [TUNS50F05](#) [TUNS100F24](#) [TUNS50F24](#) [TUNS50F12](#) [TUNS100F12](#) [TUNS500F12](#) [TUNS300F48](#)
[TUNS500F48](#) [TUNS500F28](#) [TUNS300F12](#) [TUNS300F28](#) [TUNS700F12](#) [TUNS700F48](#) [TUNS700F28](#)

Компания «Life Electronics» занимается поставками электронных компонентов импортного и отечественного производства от производителей и со складов крупных дистрибьюторов Европы, Америки и Азии.

С конца 2013 года компания активно расширяет линейку поставок компонентов по направлению коаксиальный кабель, кварцевые генераторы и конденсаторы (керамические, пленочные, электролитические), за счёт заключения дистрибьюторских договоров

Мы предлагаем:

- Конкурентоспособные цены и скидки постоянным клиентам.
- Специальные условия для постоянных клиентов.
- Подбор аналогов.
- Поставку компонентов в любых объемах, удовлетворяющих вашим потребностям.
- Приемлемые сроки поставки, возможна ускоренная поставка.
- Доставку товара в любую точку России и стран СНГ.
- Комплексную поставку.
- Работу по проектам и поставку образцов.
- Формирование склада под заказчика.
- Сертификаты соответствия на поставляемую продукцию (по желанию клиента).
- Тестирование поставляемой продукции.
- Поставку компонентов, требующих военную и космическую приемку.
- Входной контроль качества.
- Наличие сертификата ISO.

В составе нашей компании организован Конструкторский отдел, призванный помогать разработчикам, и инженерам.

Конструкторский отдел помогает осуществить:

- Регистрацию проекта у производителя компонентов.
- Техническую поддержку проекта.
- Защиту от снятия компонента с производства.
- Оценку стоимости проекта по компонентам.
- Изготовление тестовой платы монтаж и пусконаладочные работы.



Тел: +7 (812) 336 43 04 (многоканальный)

Email: org@lifeelectronics.ru