



MIC841/842

Comparator with 1.25% Reference and Adjustable Hysteresis

General Description

The MIC841 and MIC842 are micro-power, precision-voltage comparators with an on-chip voltage reference.

Both devices are intended for voltage monitoring applications. External resistors are used to set the voltage monitor threshold. When the threshold is crossed, the outputs switch polarity.

The MIC842 incorporates a voltage reference and comparator with fixed internal hysteresis; two external resistors are used to set the switching threshold voltage. The MIC841 provides a similar function with user adjustable hysteresis; this part requires three external resistors to set the upper and lower thresholds (the difference between the threshold voltages being the hysteresis voltage).

Both the MIC841 and MIC842 are available with push-pull or open-drain output stage. The push-pull output stage is configured either active high or active low; the open-drain output stage is only configured active low.

Supply current is extremely low (1.5µA, typical), making it ideal for portable applications.

The MIC841/2 is supplied in Micrel's Teeny™ 5-pin SC-70, 6-pin 1.6mm × 1.6mm Thin DFN (MIC841), and 4-pin 1.2mm × 1.6mm Thin DFN (MIC842) packages.

Datasheets and support documentation are available on Micrel's web site at: www.micrel.com.

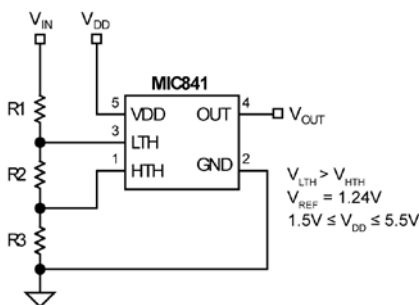
Features

- 1.5V to 5.5V operating range
- 1.5µA typical supply current
- ±1.25% voltage threshold accuracy
- 10nA maximum input leakage current overtemperature
- 10µs propagation delay
- Externally adjustable hysteresis (MIC841)
- Internal 20mV hysteresis (MIC842)
- Output options
 - Push-pull, active high
 - Push-pull, active low
 - Open drain, active low
- Open drain output can be pulled to 6V regardless of V_{DD}
- Immune to brief input transients
- Teeny 5-pin SC-70 package
- 6-pin 1.6mm × 1.6mm TDFN (MIC841)
- 4-pin 1.2mm × 1.6mm TDFN (MIC842)

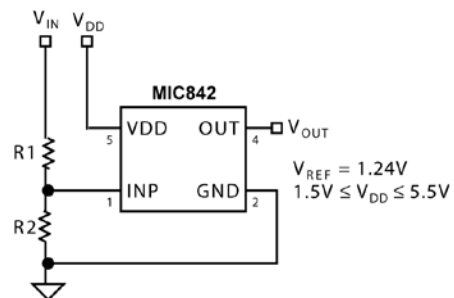
Applications

- Smart phones
- PDAs
- Precision battery monitoring
- Battery chargers

Typical Application



Threshold Detection with Adjustable Hysteresis



Threshold Detector with Internal Fixed Hysteresis

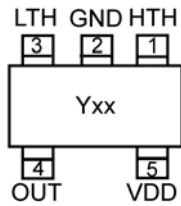
Teeny is a trademark of Micrel, Inc.

Micrel Inc. • 2180 Fortune Drive • San Jose, CA 95131 • USA • tel +1 (408) 944-0800 • fax + 1 (408) 474-1000 • <http://www.micrel.com>

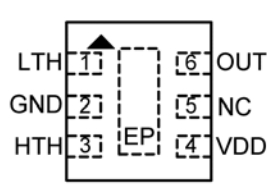
Ordering Information

| Part Number | Marking | Hysteresis Adjustment | Output Stage | Output Function | Temperature Range | Pb-Free | Package |
|-------------|-------------|-----------------------|--------------|-----------------|-------------------|---------|--------------------|
| MIC841HYC5 | <u>B</u> 13 | External | Push Pull | Active Low | -40°C to +85°C | ✓ | SC-70-5 |
| MIC841HYMT | BH | External | Push Pull | Active Low | -40°C to +85°C | ✓ | 1.6mm x 1.6mm TDFN |
| MIC841LYC5 | <u>B</u> 14 | External | Push Pull | Active High | -40°C to +85°C | ✓ | SC-70-5 |
| MIC841LYMT | BL | External | Push Pull | Active High | -40°C to +85°C | ✓ | 1.6mm x 1.6mm TDFN |
| MIC841NYC5 | <u>B</u> 15 | External | Open Drain | Active Low | -40°C to +85°C | ✓ | SC-70-5 |
| MIC841NYMT | BN | External | Open Drain | Active Low | -40°C to +85°C | ✓ | 1.6mm x 1.6mm TDFN |
| MIC842HYC5 | <u>B</u> 16 | Internal | Push Pull | Active Low | -40°C to +85°C | ✓ | SC-70-5 |
| MIC842HYMT | HB | Internal | Push Pull | Active Low | -40°C to +85°C | ✓ | 1.2mm x 1.6mm TDFN |
| MIC842LYC5 | <u>B</u> 17 | Internal | Push Pull | Active High | -40°C to +85°C | ✓ | SC-70-5 |
| MIC842LYMT | HL | Internal | Push Pull | Active High | -40°C to +85°C | ✓ | 1.2mm x 1.6mm TDFN |
| MIC842NYC5 | <u>B</u> 18 | Internal | Open Drain | Active Low | -40°C to +85°C | ✓ | SC-70-5 |
| MIC842NYMT | HN | Internal | Open Drain | Active Low | -40°C to +85°C | ✓ | 1.2mm x 1.6mm TDFN |

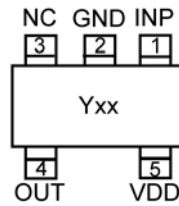
Pin Configurations



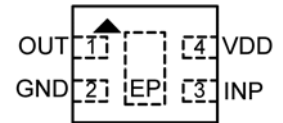
MIC841
SC-70-5 (CS)
(Top View)



MIC841
6-Pin 1.6mm x 1.6mm TDFN (MT)
(Top View)



MIC842
SC-70-5 (CS)
(Top View)



MIC842
4-Pin 1.2mm x 1.6mm TDFN (MT)
(Top View)

MIC841 Pin Description

| Pin Number SC-70 | Pin Number TDFN | Pin Name | Pin Function |
|------------------|-----------------|----------|--|
| 1 | 3 | HTH | High Threshold Input. HTH and LTH monitor external voltages. |
| 2 | 2 | GND | Ground. |
| 3 | 1 | LTH | Low Threshold Input. LTH and HTH monitor external voltages. |
| 4 | 6 | OUT | ("H" Version) Active-Low Push-Pull Output. OUT asserts low when $V_{LTH} < V_{REF}$. OUT remains low until $V_{HTH} > V_{REF}$. |
| | | OUT | ("L" Version) Active-High Push-Pull Output. OUT asserts high when $V_{LTH} < V_{REF}$. OUT remains high until $V_{HTH} > V_{REF}$. |
| | | OUT | ("N" Version) Active-Low, Open-Drain Output. OUT asserts low when $V_{LTH} < V_{REF}$. OUT remains low until $V_{HTH} > V_{REF}$. |
| 5 | 4 | VDD | Power Supply Input |
| – | 5 | NC | No Connect. Not internally connected |
| – | EP | ePad | Heatsink Pad. Connect to GND for best thermal performance. |

MIC842 Pin Description

| Pin Number SC-70 | Pin Number TDFN | Pin Name | Pin Function |
|------------------|-----------------|----------|--|
| 1 | 3 | INP | Threshold Input. INP monitors an external voltage. |
| 2 | 2 | GND | Ground |
| 3 | – | NC | No Connect. Not internally connected. |
| 4 | 1 | OUT | ("H" Version) Active-Low, Push-Pull Output. OUT asserts low when $V_{INP} < V_{REF}$. OUT remains low until $V_{INP} > (V_{REF} + V_{HYST})$. |
| | | OUT | ("L" Version) Active-High, Push-Pull Output. OUT asserts high when $V_{INP} < V_{REF}$. OUT remains high until $V_{INP} > (V_{REF} + V_{HYST})$. |
| | | OUT | ("N" Version) Active-Low, Open-Drain Output. OUT asserts low when $V_{INP} < V_{REF}$. OUT remains low until $V_{INP} > (V_{REF} + V_{HYST})$. |
| 5 | 4 | VDD | Power Supply Input |
| – | EP | ePad | Heatsink Pad. Connect to GND for best thermal performance. |

Absolute Maximum Ratings⁽¹⁾

| | |
|---|-----------------|
| Supply Voltage (V_{DD}) | -0.3V to +7V |
| Input Voltage (V_{INP} , V_{LTH} , V_{LTL}) | +7V |
| Output Current (I_{OUT}) | ±20mA |
| Storage Temperature (T_S) | -65°C to +150°C |
| Junction Temperature (T_J) | +150°C |
| ESD Rating ⁽³⁾ | 1kV |

Operating Ratings⁽²⁾

| | |
|---|----------------|
| Supply Voltage (V_{DD}) | +1.5V to +5.5V |
| Input Voltage (V_{INP} , V_{LTH} , V_{LTL}) | 0V to 6V |
| V_{OUT} ('H' and 'L' versions) | V_{DD} |
| V_{OUT} ('N' version) | 6V |
| Ambient Temperature Range (T_A) | -40°C to +85°C |
| Package Thermal Resistance | |
| SC-70-5 (θ_{JA}) | 256.5°C/W |
| 6-pin 1.6mm x 1.6mm TDFN | 92°C/W |
| 4-pin 1.2mm x 1.6mm TDFN | 173°C/W |

Electrical Characteristics⁽⁴⁾

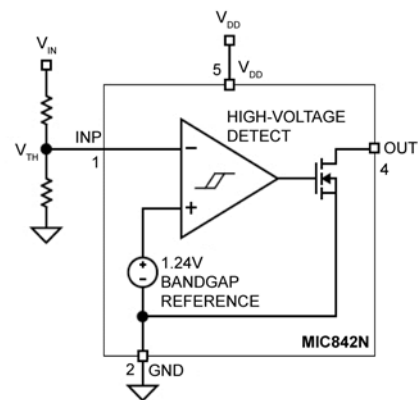
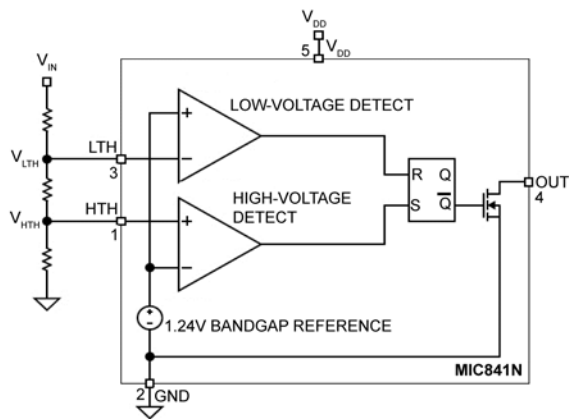
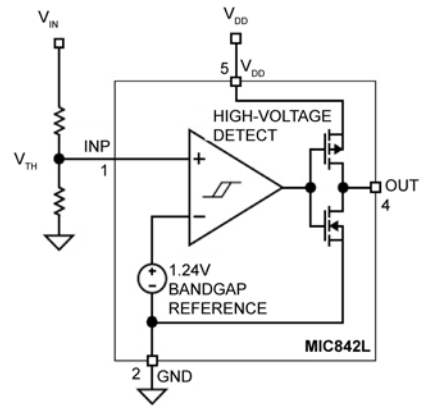
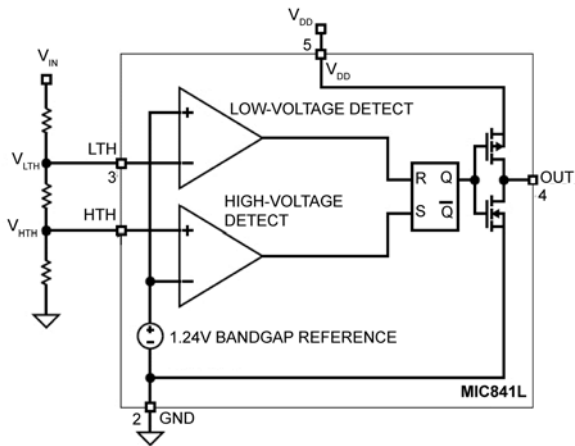
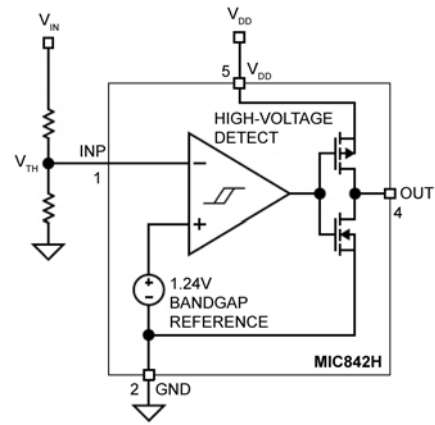
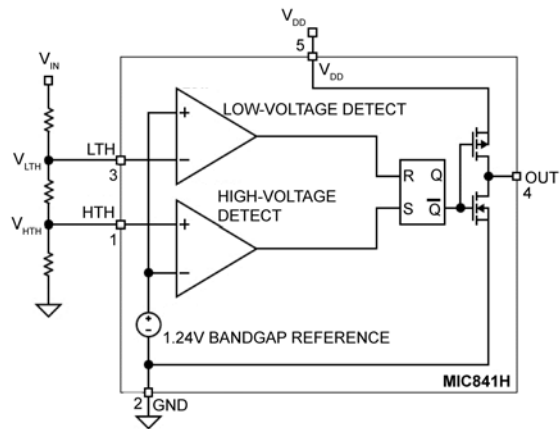
1.5V ≤ V_{DD} ≤ 5.5V; T_A = +25°C, **bold** values indicate -40°C ≤ T_A ≤ +85°C, unless noted.

| Symbol | Parameter | Condition | Min. | Typ. | Max. | Units |
|-----------------|-----------------------------------|--|--------------|-------|---------------|-------|
| I_{DD} | Supply Current | Output not asserted | | 1.5 | 3 | μA |
| I_{INP} | Input Leakage Current | | | 0.005 | 10 | nA |
| V_{REF} | Reference Voltage | 0°C to 85°C | 1.225 | 1.240 | 1.256 | V |
| | | -40°C to 85°C | 1.219 | 1.240 | 1.261 | |
| V_{HYST} | Hysteresis Voltage ⁽⁵⁾ | MIC842 only | 8 | 20 | 35 | mV |
| t_D | Propagation Delay | $V_{INP} = 1.352V$ to $1.128V$ | | 12 | 50 | μs |
| | | $V_{INP} = 1.143V$ to $1.367V$ | | 8 | 50 | |
| $V_{OUT}^{(6)}$ | Output Voltage-Low | $I_{SINK} = 1.6mA$, $V_{DD} \geq 1.6V$ | | 0.05 | 0.3 | V |
| | | $I_{SINK} = 100\mu A$, $V_{DD} \geq 1.2V$ | | 0.005 | 0.4 | |
| | Output Voltage-High | $I_{SOURCE} = 500\mu A$, $V_{DD} \geq 1.6V$ | | | 0.99 V_{DD} | V |
| | | $I_{SOURCE} = 50\mu A$, $V_{DD} \geq 1.2V$ | | | 0.99 V_{DD} | |

Notes:

- Exceeding the absolute maximum rating may damage the device.
- The device is not guaranteed to function outside its operating rating.
- Devices are ESD sensitive. Handling precautions recommended. Human body model, 1.5kΩ in series with 100pF.
- Specification for packaged product only.
- $V_{HTH} = V_{REF} + V_{HYST}$.
- V_{DD} operating range is 1.5V to 5.5V. Output is guaranteed to be de-asserted down to $V_{DD} = 1.2V$.

Block Diagrams⁽⁷⁾



Note:

7. SC-70 package pin numbers shown.

Application Information

Output

The MIC841N and MIC842N outputs are an open-drain MOSFET, so most applications will require a pull-up resistor. The value of the resistor should not be too large or leakage effects may dominate. 470kΩ is the maximum recommended value. Note that the output of “N” version may be pulled up as high as 6V regardless of the ICs supply voltage. The “H” and “L” versions of the MIC841 and MIC842 have a push-pull output stage, with a diode clamped to VDD. Thus, the maximum output voltage of the “H” and “L” versions is V_{DD} (see [Electrical Characteristics](#)).

When working with large resistors on the input to the devices, a small amount of leakage current can cause voltage offsets that degrade system accuracy. The maximum recommended total resistance from V_{IN} to ground is 3MΩ. The accuracy of the resistors can be chosen based upon the accuracy required by the system. The inputs may be subjected to voltages as high as 6V steady-state without adverse effects of any kind regardless of the ICs supply voltage. This applies even if the supply voltage is zero. This permits the situation in which the IC’s supply is turned off, but voltage is still present on the inputs (see [Electrical Characteristics](#)).

Programming the MIC841 Thresholds

The low-voltage threshold is calculated using Equation 1:

$$V_{IN(LO)} = V_{REF} \left(\frac{R1 + R2 + R3}{R2 + R3} \right) \quad \text{Eq. 1}$$

The high-voltage threshold is calculated using Equation 2:

$$V_{IN(HI)} = V_{REF} \left(\frac{R1 + R2 + R3}{R3} \right) \quad \text{Eq. 2}$$

Where, for both equations:

$$V_{REF} = 1.240V$$

In order to provide the additional criteria needed to solve for the resistor values, the resistors can be selected such that they have a given total value, that is, R₁ + R₂ + R₃ = R_{TOTAL}. A value such as 1MΩ for R_{TOTAL} is a reasonable value because it draws minimum current but has no significant effect on accuracy.

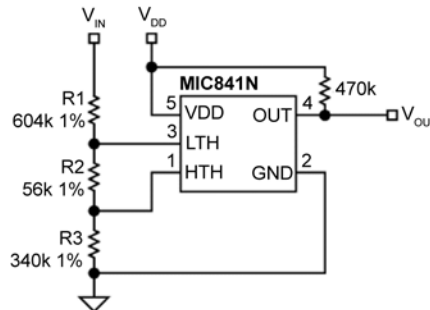


Figure 1. MIC841 Example Circuit

Once the desired trip points are determined, set the V_{IN(HI)} threshold first.

For example, use a total of 1MΩ = R₁ + R₂ + R₃. For a typical single-cell lithium ion battery, 3.6V is a good “high threshold” because at 3.6V the battery is moderately charged. Solving for R₃:

$$V_{IN(HI)} = 3.6V = 1.24V \left(\frac{1M\Omega}{R3} \right) \quad \text{Eq. 3}$$

Where:

$$R3 = 344k\Omega$$

Once R₃ is determined, the equation for V_{IN(LO)} can be used to determine R₂. A single lithium-ion cell, for example, should not be discharged below 2.5V. Many applications limit the drain to 3.1V.

Using 3.1V for the $V_{IN(LO)}$ threshold allows calculation of the two remaining resistor values:

$$V_{IN(LO)} = 3.1V = 1.24V \left(\frac{1M\Omega}{R2 + 344k\Omega} \right) \quad \text{Eq. 4}$$

Where:

$$R2 = 56k\Omega$$

$$R1 = 1M\Omega - R2 - R3$$

$$R1 = 600k\Omega$$

The accuracy of the resistors can be chosen based upon the accuracy required by the system.

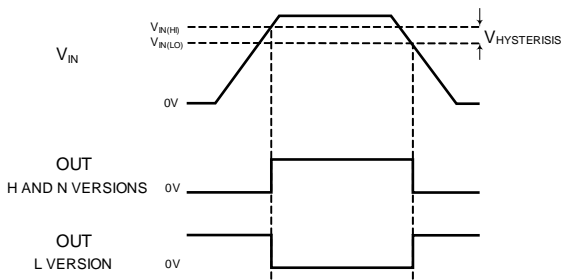


Figure 2. Output Response and Hysteresis

Programming the MIC842 Thresholds

The voltage threshold is calculated using Equation 5:

$$V_{IN(LO)} = V_{REF} \left(\frac{R1 + R2}{R2} \right) \quad \text{Eq. 5}$$

Where:

$$V_{REF} = 1.240V$$

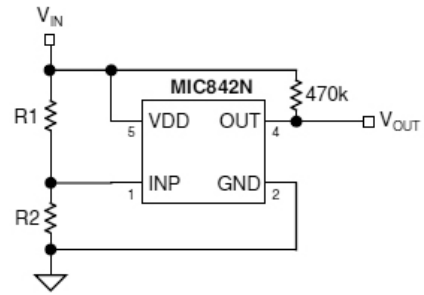


Figure 3. MIC842 Example Circuit

In order to provide the additional criteria needed to solve for the resistor values, the resistors can be selected such that they have a given total value, that is, $R1 + R2 = R_{TOTAL}$. A value such as $1M\Omega$ for R_{TOTAL} is a reasonable value because it draws minimum current but has no significant effect on accuracy.

Input Transients

The MIC841/2 is inherently immune to very short negative-going “glitches.” Very brief transients may exceed the $V_{IN(LO)}$ threshold without tripping the output.

As shown in Figure 4, the narrower the transient, the deeper the threshold overdrive that will be ignored by the MIC841/2. The graph represents the typical allowable transient duration for a given amount of threshold overdrive that will not generate an output.

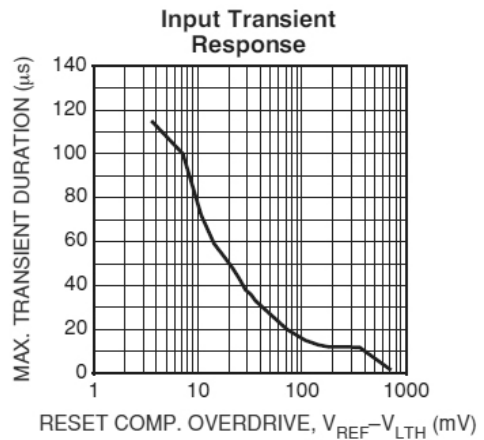
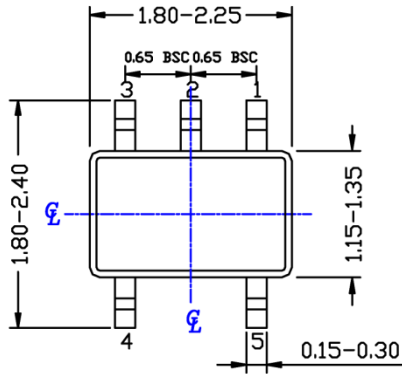
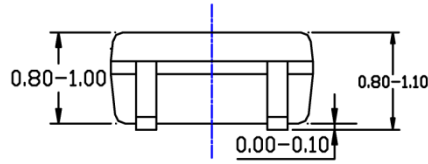


Figure 4. Input Transient Response

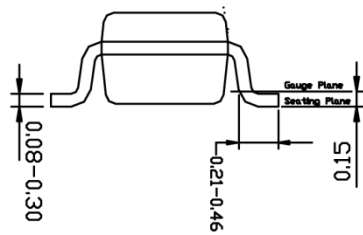
Package Information⁽⁸⁾ and Recommended Landing Patterns



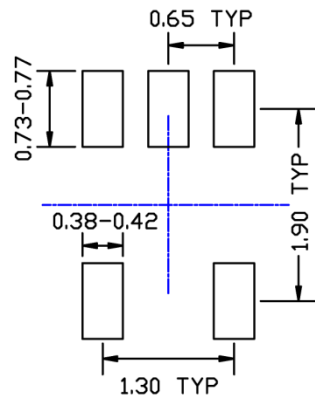
TOP VIEW



SIDE VIEW



END VIEW



RECOMMENDED LAND PATTERN

NOTE:

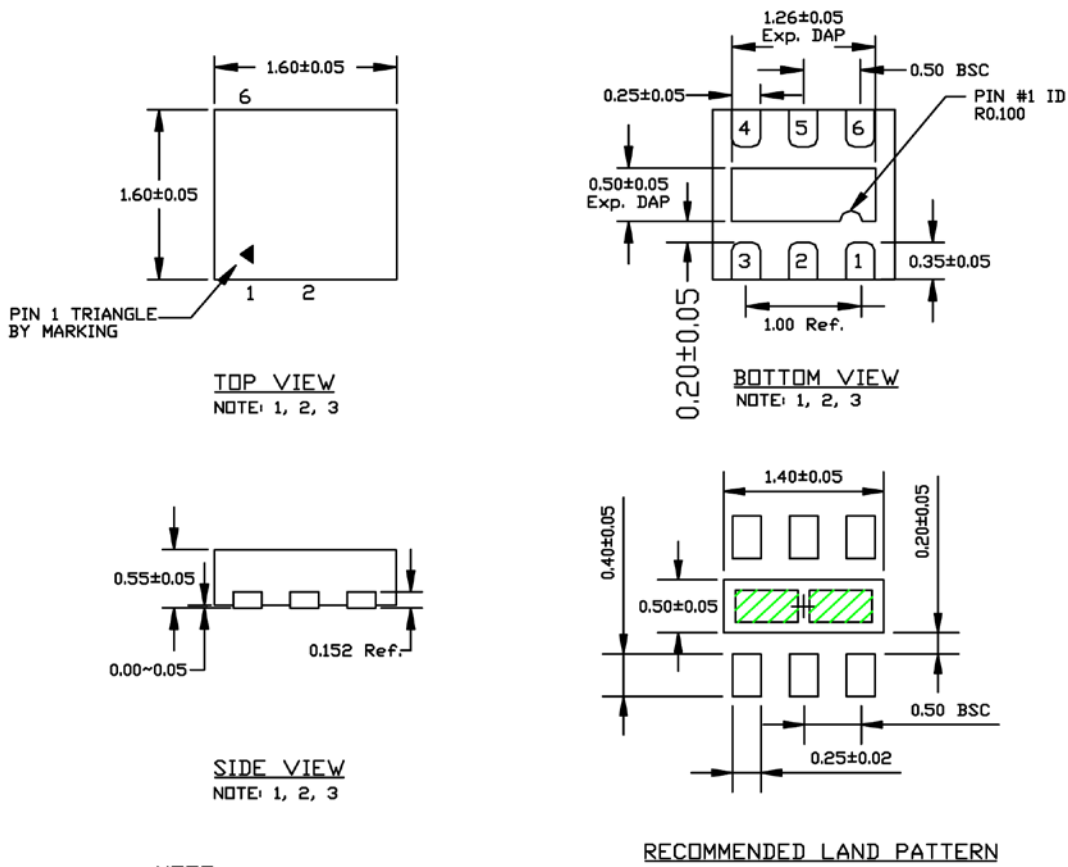
1. ALL DIMENSIONS ARE IN MILLIMETERS.
2. DIMENSIONS ARE INCLUSIVE OF PLATING.
3. DIMENSIONS ARE EXCLUSIVE OF MOLD FLASH & METAL BURR.

5-Pin SC-70 (C5)

Note:

8. Package information is correct as of the publication date. For updates and most current information, go to www.micrel.com.

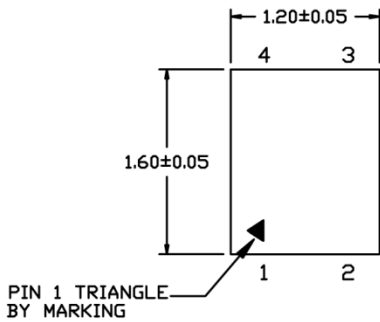
Package Information⁽⁸⁾ and Recommended Landing Patterns (Continued)



- NOTE:
1. MAX PACKAGE WARPAGE IS 0.05 MM
 2. MAX ALLOWABLE BURR IS 0.076MM IN ALL DIRECTIONS
 3. PIN #1 IS ON TOP WILL BE LASER MARKED
 4. GREEN SHADED AREA REPRESENT SOLDER STENCIL OPENING (OPTIONAL) FOR IMPROVED THERMAL PERFORMANCE. SIZE: 0.55x0.30MM

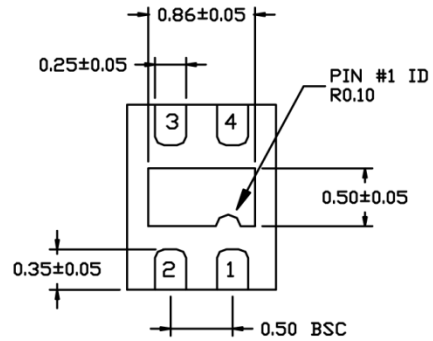
6-Pin 1.6mm x 1.6mm TDFN (MT)

Package Information⁽⁸⁾ and Recommended Landing Patterns (Continued)



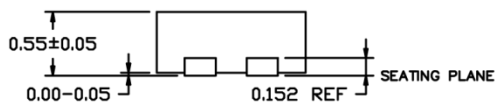
TOP VIEW

NOTE: 1, 2, 3



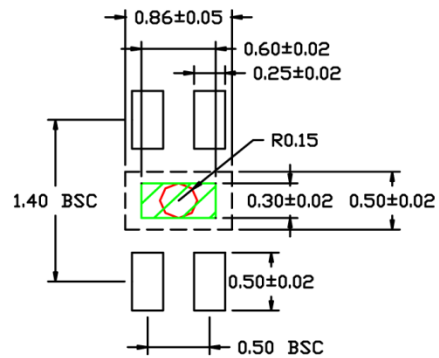
BOTTOM VIEW

NOTE: 1, 2, 3



SIDE VIEW

NOTE: 1, 2, 3



RECOMMENDED LAND PATTERN

NOTE: 4, 5

NOTE:

1. MAX PACKAGE WARPAGE IS 0.05mm.
2. MAX ALLOWABLE BURR IS 0.076mm IN ALL DIRECTIONS.
3. PIN #1 IS ON TOP WILL BE LASER MARKED.
4. GREEN SHADED AREA INDICATES SOLDER STENCIL OPENING (OPTIONAL) FOR IMPROVED THERMAL PERFORMANCE. RECOMMENDED SIZE IS 0.60mm x 0.30mm.
5. RED CIRCLE REPRESENTS THERMAL VIA & SHOULD BE CONNECTED TO GND FOR MAX PERFORMANCE. RECOMMENDED DIAMETER IS 0.30mm - 0.35mm.

4-Pin 1.2mm x 1.6mm TDFN (MT)

MICREL, INC. 2180 FORTUNE DRIVE SAN JOSE, CA 95131 USA
TEL +1 (408) 944-0800 FAX +1 (408) 474-1000 WEB <http://www.micrel.com>

Micrel, Inc. is a leading global manufacturer of IC solutions for the worldwide high performance linear and power, LAN, and timing & communications markets. The Company's products include advanced mixed-signal, analog & power semiconductors; high-performance communication, clock management, MEMs-based clock oscillators & crystal-less clock generators, Ethernet switches, and physical layer transceiver ICs. Company customers include leading manufacturers of enterprise, consumer, industrial, mobile, telecommunications, automotive, and computer products. Corporation headquarters and state-of-the-art wafer fabrication facilities are located in San Jose, CA, with regional sales and support offices and advanced technology design centers situated throughout the Americas, Europe, and Asia. Additionally, the Company maintains an extensive network of distributors and reps worldwide.

Micrel makes no representations or warranties with respect to the accuracy or completeness of the information furnished in this datasheet. This information is not intended as a warranty and Micrel does not assume responsibility for its use. Micrel reserves the right to change circuitry, specifications and descriptions at any time without notice. No license, whether express, implied, arising by estoppel or otherwise, to any intellectual property rights is granted by this document. Except as provided in Micrel's terms and conditions of sale for such products, Micrel assumes no liability whatsoever, and Micrel disclaims any express or implied warranty relating to the sale and/or use of Micrel products including liability or warranties relating to fitness for a particular purpose, merchantability, or infringement of any patent, copyright, or other intellectual property right.

Micrel Products are not designed or authorized for use as components in life support appliances, devices or systems where malfunction of a product can reasonably be expected to result in personal injury. Life support devices or systems are devices or systems that (a) are intended for surgical implant into the body or (b) support or sustain life, and whose failure to perform can be reasonably expected to result in a significant injury to the user. A Purchaser's use or sale of Micrel Products for use in life support appliances, devices or systems is a Purchaser's own risk and Purchaser agrees to fully indemnify Micrel for any damages resulting from such use or sale.

© 2012 Micrel, Incorporated.

Mouser Electronics

Authorized Distributor

Click to View Pricing, Inventory, Delivery & Lifecycle Information:

Micrel:

[MIC841NYC5 TR](#) [MIC842NYC5 TR](#) [MIC842HYC5 TR](#) [MIC841HYMT T5](#) [MIC842LYMT TR](#) [MIC841NYMT T5](#)
[MIC841HYMT-T5](#) [MIC842LYC5-TR](#) [MIC842LYMT-TR](#) [MIC841NYC5-TR](#) [MIC841HYMT-TR](#) [MIC842LYMT-T5](#)
[MIC842NYC5-TR](#) [MIC841HYC5-TR](#) [MIC842HYC5-TR](#) [MIC842NYMT-TR](#) [MIC841LYC5-TR](#) [MIC842HYMT-T5](#)
[MIC842NYMT-T5](#) [MIC841LYMT-TR](#) [MIC842HYMT-TR](#) [MIC841NYMT-T5](#) [MIC841NYMT-TR](#) [MIC841LYMT-T5](#)

Компания «Life Electronics» занимается поставками электронных компонентов импортного и отечественного производства от производителей и со складов крупных дистрибьюторов Европы, Америки и Азии.

С конца 2013 года компания активно расширяет линейку поставок компонентов по направлению коаксиальный кабель, кварцевые генераторы и конденсаторы (керамические, пленочные, электролитические), за счёт заключения дистрибьюторских договоров

Мы предлагаем:

- Конкурентоспособные цены и скидки постоянным клиентам.
- Специальные условия для постоянных клиентов.
- Подбор аналогов.
- Поставку компонентов в любых объемах, удовлетворяющих вашим потребностям.
- Приемлемые сроки поставки, возможна ускоренная поставка.
- Доставку товара в любую точку России и стран СНГ.
- Комплексную поставку.
- Работу по проектам и поставку образцов.
- Формирование склада под заказчика.
- Сертификаты соответствия на поставляемую продукцию (по желанию клиента).
- Тестирование поставляемой продукции.
- Поставку компонентов, требующих военную и космическую приемку.
- Входной контроль качества.
- Наличие сертификата ISO.

В составе нашей компании организован Конструкторский отдел, призванный помогать разработчикам, и инженерам.

Конструкторский отдел помогает осуществить:

- Регистрацию проекта у производителя компонентов.
- Техническую поддержку проекта.
- Защиту от снятия компонента с производства.
- Оценку стоимости проекта по компонентам.
- Изготовление тестовой платы монтаж и пусконаладочные работы.



Тел: +7 (812) 336 43 04 (многоканальный)

Email: org@lifeelectronics.ru