



FEATURES

- **Single channel E1 short haul line interfaces**
- **Supports HPS (Hitless Protection Switching) for 1+1 protection without external relays**
- **Single 3.3 V power supply with 5 V tolerance on digital interfaces**
- **Meets or exceeds specifications in**
 - ANSI T1.102
 - ITU I.431, G.703, G.736, G.775 and G.823
 - ETSI 300-166, 300-233 and TBR12/13
- **Software programmable or hardware selectable on:**
 - Wave-shaping templates
 - Line terminating impedance (75 Ω /120 Ω)
 - Adjustment of arbitrary pulse shape
 - JA (Jitter Attenuator) position (receive path or transmit path)
 - Single rail/dual rail system interfaces
 - HDB3/AMI line encoding/decoding
 - Active edge of transmit clock (TCLK) and receive clock (RCLK)
 - Active level of transmit data (TDATA) and receive data (RDATA)
 - Receiver or transmitter power down
- High impedance setting for line drivers
- PRBS (Pseudo Random Bit Sequence) generation and detection with $2^{15}-1$ PRBS polynomials
- 16-bit BPV (Bipolar Pulse Violation) /Excess Zero/PRBS error counter
- Analog loopback, Digital loopback, Remote loopback
- **Short circuit protection and internal protection diode for line drivers**
- **AIS (Alarm Indication Signal) detection**
- **Supports serial control interface, Motorola and Intel Multiplexed interfaces and hardware control mode**
- **Pin compatible to 82V2081 T1/E1/J1 Long Haul/Short Haul LIU and 82V2041E T1/E1/J1 Short Haul LIU**
- **Package:**
 - Available in 44-pin TQFP packages**
 - Green package options available**

DESCRIPTION

The IDT82V2051E is a single channel E1 Line Interface Unit. The IDT82V2051E performs clock/data recovery, AMI/HDB3 line decoding and detects and reports the LOS conditions. An integrated Adaptive Equalizer is available to increase the receive sensitivity and enable programming of LOS levels. In transmit path, there is an AMI/HDB3 encoder and Waveform Shaper. There is one Jitter Attenuator, which can be placed in either the receive path or the transmit path. The Jitter Attenuator can also be disabled. The IDT82V2051E supports both Single Rail and Dual Rail system interfaces. To facilitate the network maintenance, a PRBS generation/detection

circuit is integrated in the chip, and different types of loopbacks can be set according to the applications. Two different kinds of line terminating impedance, 75 Ω and 120 Ω are selectable. The chip also provides driver short-circuit protection and internal protection diode. The chip can be controlled by either software or hardware.

The IDT82V2051E can be used in LAN, WAN, Routers, Wireless Base Stations, IADs, IMAs, IMAPs, Gateways, Frame Relay Access Devices, CSU/DSU equipment, etc.

FUNCTIONAL BLOCK DIAGRAM

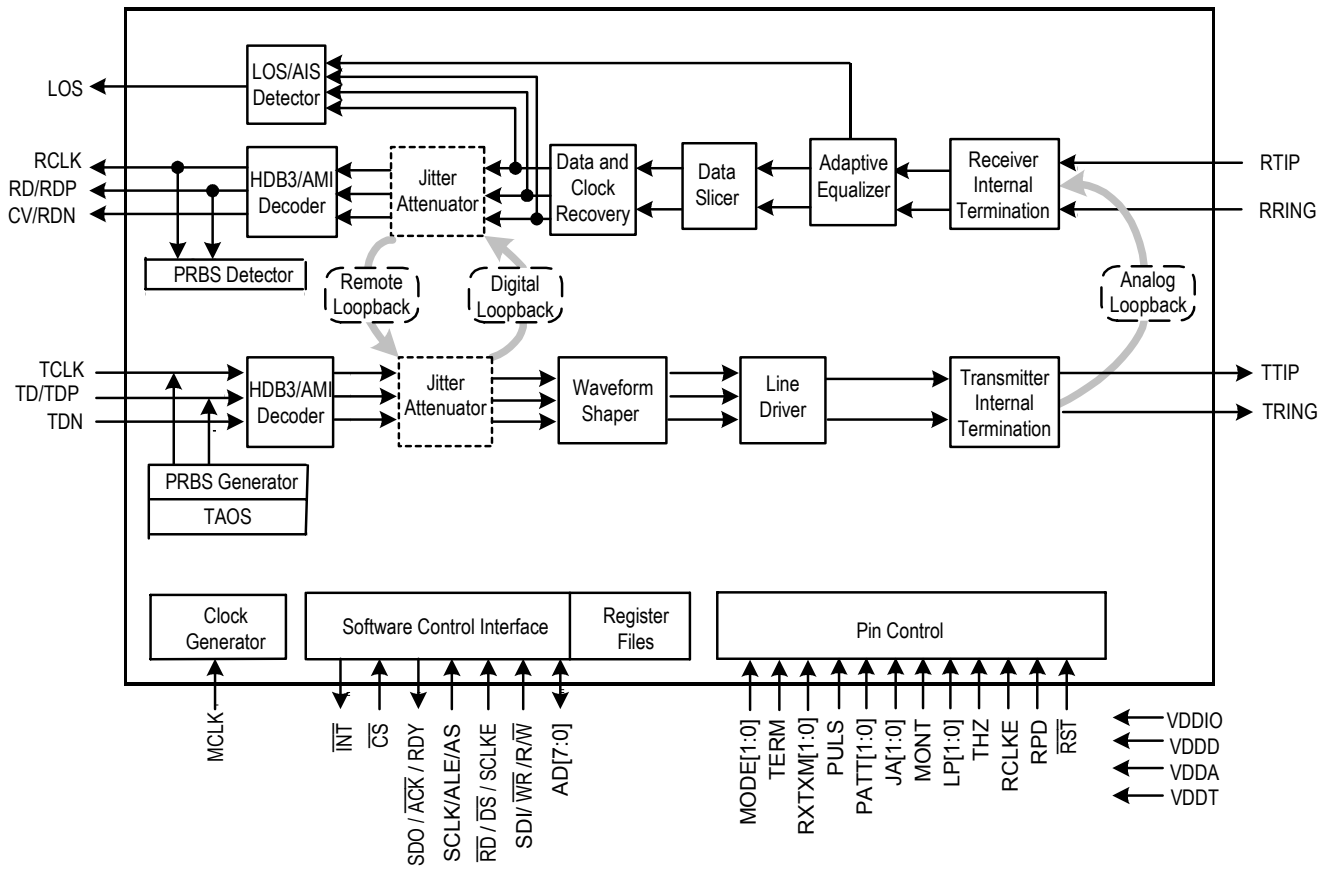


Figure-1 Block Diagram



Table of Contents

| | | |
|----------|----------------------------------------|-----------|
| 1 | IDT82V2051E Pin Configurations | 8 |
| 2 | Pin Description | 9 |
| 3 | Functional Description | 15 |
| 3.1 | Control Mode Selection | 15 |
| 3.2 | Transmit Path | 15 |
| 3.2.1 | Transmit Path System Interface | 15 |
| 3.2.2 | Encoder | 15 |
| 3.2.3 | Pulse Shaper | 15 |
| 3.2.3.1 | Preset Pulse Templates | 15 |
| 3.2.3.2 | User-Programmable Arbitrary Waveform | 16 |
| 3.2.4 | Transmit Path Line Interface | 17 |
| 3.2.5 | Transmit Path Power Down | 17 |
| 3.3 | Receive Path | 18 |
| 3.3.1 | Receive Internal Termination | 18 |
| 3.3.2 | Line Monitor | 19 |
| 3.3.3 | Adaptive Equalizer | 20 |
| 3.3.4 | Receive Sensitivity | 20 |
| 3.3.5 | Data Slicer | 20 |
| 3.3.6 | CDR (Clock & Data Recovery) | 20 |
| 3.3.7 | Decoder | 20 |
| 3.3.8 | Receive Path System Interface | 21 |
| 3.3.9 | Receive Path Power Down | 21 |
| 3.4 | Jitter Attenuator | 21 |
| 3.4.1 | Jitter Attenuation Function Descripton | 21 |
| 3.4.2 | Jitter Attenuator Performance | 22 |
| 3.5 | Los And AIS Detection | 22 |
| 3.5.1 | LOS Detection | 22 |
| 3.5.2 | AIS Detection | 23 |
| 3.6 | Transmit And Detect Internal Patterns | 24 |
| 3.6.1 | Transmit All Ones | 24 |
| 3.6.2 | Transmit All Zeros | 24 |
| 3.6.3 | PRBS Generation And Detection | 24 |
| 3.7 | Loopback | 24 |
| 3.7.1 | Analog Loopback | 24 |
| 3.7.2 | Digital Loopback | 24 |
| 3.7.3 | Remote Loopback | 24 |
| 3.8 | Error Detection/Counting And Insertion | 27 |

| | | |
|----------|---------------------------------------------------------------|-----------|
| 3.8.1 | Definition Of Line Coding Error | 27 |
| 3.8.2 | Error Detection And Counting | 27 |
| 3.8.3 | Bipolar Violation And PRBS Error Insertion | 28 |
| 3.9 | Line Driver Failure Monitoring | 28 |
| 3.10 | MCLK And TCLK | 29 |
| 3.10.1 | Master Clock (MCLK)..... | 29 |
| 3.10.2 | Transmit Clock (TCLK) | 29 |
| 3.11 | Microcontroller Interfaces | 30 |
| 3.11.1 | Parallel Microcontroller Interface | 30 |
| 3.11.2 | Serial Microcontroller Interface | 30 |
| 3.12 | Interrupt Handling | 30 |
| 3.13 | 5V Tolerant I/O Pins | 31 |
| 3.14 | Reset Operation | 31 |
| 3.15 | Power Supply | 31 |
| 4 | Programming Information | 32 |
| 4.1 | Register List And Map | 32 |
| 4.2 | Reserved Registers | 32 |
| 4.3 | Register Description | 33 |
| 4.3.1 | Control Registers | 33 |
| 4.3.2 | Transmit Path Control Registers..... | 35 |
| 4.3.3 | Receive Path Control Registers..... | 37 |
| 4.3.4 | Network Diagnostics Control Registers | 39 |
| 4.3.5 | Interrupt Control Registers..... | 41 |
| 4.3.6 | Line Status Registers..... | 43 |
| 4.3.7 | Interrupt Status Registers | 45 |
| 4.3.8 | Counter Registers | 46 |
| 5 | Hardware Control Pin Summary | 47 |
| 6 | Test Specifications | 49 |
| 7 | Microcontroller Interface Timing Characteristics | 56 |
| 7.1 | Serial Interface Timing | 56 |
| 7.2 | Parallel Interface Timing | 57 |



List of Tables

| | | |
|----------|---------------------------------------------------------------------|----|
| Table-1 | Pin Description | 9 |
| Table-2 | Transmit Waveform Value For E1 75 ohm..... | 16 |
| Table-3 | Transmit Waveform Value For E1 120 ohm..... | 16 |
| Table-4 | Impedance Matching for Transmitter | 17 |
| Table-5 | Impedance Matching for Receiver | 18 |
| Table-6 | Criteria of Starting Speed Adjustment..... | 22 |
| Table-7 | LOS Declare and Clear Criteria, Adaptive Equalizer Disabled | 22 |
| Table-8 | LOS Declare and Clear Criteria, Adaptive Equalizer Enabled | 23 |
| Table-9 | AIS Condition | 23 |
| Table-10 | Criteria for Setting/Clearing the PRBS_S Bit | 24 |
| Table-11 | EXZ Definition | 27 |
| Table-12 | Interrupt Event..... | 31 |
| Table-13 | Register List and Map | 32 |
| Table-14 | ID: Device Revision Register | 33 |
| Table-15 | RST: Reset Register | 33 |
| Table-16 | GCF: Global Configuration Register | 33 |
| Table-17 | TERM: Transmit and Receive Termination Configuration Register | 33 |
| Table-18 | JACF: Jitter Attenuation Configuration Register | 34 |
| Table-19 | TCF0: Transmitter Configuration Register 0 | 35 |
| Table-20 | TCF1: Transmitter Configuration Register 1 | 35 |
| Table-21 | TCF2: Transmitter Configuration Register 2 | 35 |
| Table-22 | TCF3: Transmitter Configuration Register 3 | 36 |
| Table-23 | TCF4: Transmitter Configuration Register 4 | 36 |
| Table-24 | RCF0: Receiver Configuration Register 0..... | 37 |
| Table-25 | RCF1: Receiver Configuration Register 1..... | 37 |
| Table-26 | RCF2: Receiver Configuration Register 2..... | 38 |
| Table-27 | MAINT0: Maintenance Function Control Register 0..... | 39 |
| Table-28 | MAINT1: Maintenance Function Control Register 1..... | 39 |
| Table-29 | MAINT6: Maintenance Function Control Register 6..... | 39 |
| Table-30 | INTM0: Interrupt Mask Register 0..... | 41 |
| Table-31 | INTM1: Interrupt Masked Register 1 | 41 |
| Table-32 | INTES: Interrupt Trigger Edge Select Register | 42 |
| Table-33 | STAT0: Line Status Register 0 (real time status monitor)..... | 43 |
| Table-34 | STAT1: Line Status Register 1 (real time status monitor)..... | 44 |
| Table-35 | INTS0: Interrupt Status Register 0 | 45 |
| Table-36 | INTS1: Interrupt Status Register 1 | 45 |
| Table-37 | CNT0: Error Counter L-byte Register 0..... | 46 |
| Table-38 | CNT1: Error Counter H-byte Register 1 | 46 |
| Table-39 | Hardware Control Pin Summary | 47 |
| Table-40 | Absolute Maximum Rating | 49 |
| Table-41 | Recommended Operation Conditions..... | 49 |

| | | |
|----------|---------------------------------------------------------|----|
| Table-42 | Power Consumption..... | 50 |
| Table-43 | DC Characteristics | 50 |
| Table-44 | Receiver Electrical Characteristics..... | 50 |
| Table-45 | Transmitter Electrical Characteristics..... | 51 |
| Table-46 | Transmitter and Receiver Timing Characteristics | 52 |
| Table-47 | Jitter Tolerance | 53 |
| Table-48 | Jitter Attenuator Characteristics | 54 |
| Table-49 | Serial Interface Timing Characteristics | 56 |
| Table-50 | Multiplexed Motorola Read Timing Characteristics..... | 57 |
| Table-51 | Multiplexed Motorola Write Timing Characteristics | 58 |
| Table-52 | Multiplexed Intel Read Timing Characteristics | 59 |
| Table-53 | Multiplexed Intel Write Timing Characteristics | 60 |



List of Figures

| | | |
|-----------|--------------------------------------------------------|----|
| Figure-1 | Block Diagram | 2 |
| Figure-2 | IDT82V2051E TQFP44 Package Pin Assignment | 8 |
| Figure-3 | E1 Waveform Template Diagram | 15 |
| Figure-4 | E1 Pulse Template Test Circuit | 15 |
| Figure-5 | Receive Monitor Gain Adaptive Equalizer | 18 |
| Figure-6 | Transmit/Receive Line Circuit | 18 |
| Figure-7 | Monitoring Receive Line in Another Chip | 19 |
| Figure-8 | Monitor Transmit Line in Another Chip | 19 |
| Figure-9 | Jitter Attenuator | 21 |
| Figure-10 | LOS Declare and Clear | 22 |
| Figure-11 | Analog Loopback | 25 |
| Figure-12 | Digital Loopback | 25 |
| Figure-13 | Remote Loopback | 26 |
| Figure-14 | Auto Report Mode | 27 |
| Figure-15 | Manual Report Mode | 28 |
| Figure-16 | TCLK Operation Flowchart | 29 |
| Figure-17 | Serial Microcontroller Interface Function Timing | 30 |
| Figure-18 | Transmit System Interface Timing | 52 |
| Figure-19 | Receive System Interface Timing | 53 |
| Figure-20 | E1 Jitter Tolerance Performance | 54 |
| Figure-21 | E1 Jitter Transfer Performance | 55 |
| Figure-22 | Serial Interface Write Timing | 56 |
| Figure-23 | Serial Interface Read Timing with SCLKE=1 | 56 |
| Figure-24 | Serial Interface Read Timing with SCLKE=0 | 56 |
| Figure-25 | Multiplexed Motorola Read Timing | 57 |
| Figure-26 | Multiplexed Motorola Write Timing | 58 |
| Figure-27 | Multiplexed Intel Read Timing | 59 |
| Figure-28 | Multiplexed Intel Write Timing | 60 |

1 IDT82V2051E PIN CONFIGURATIONS

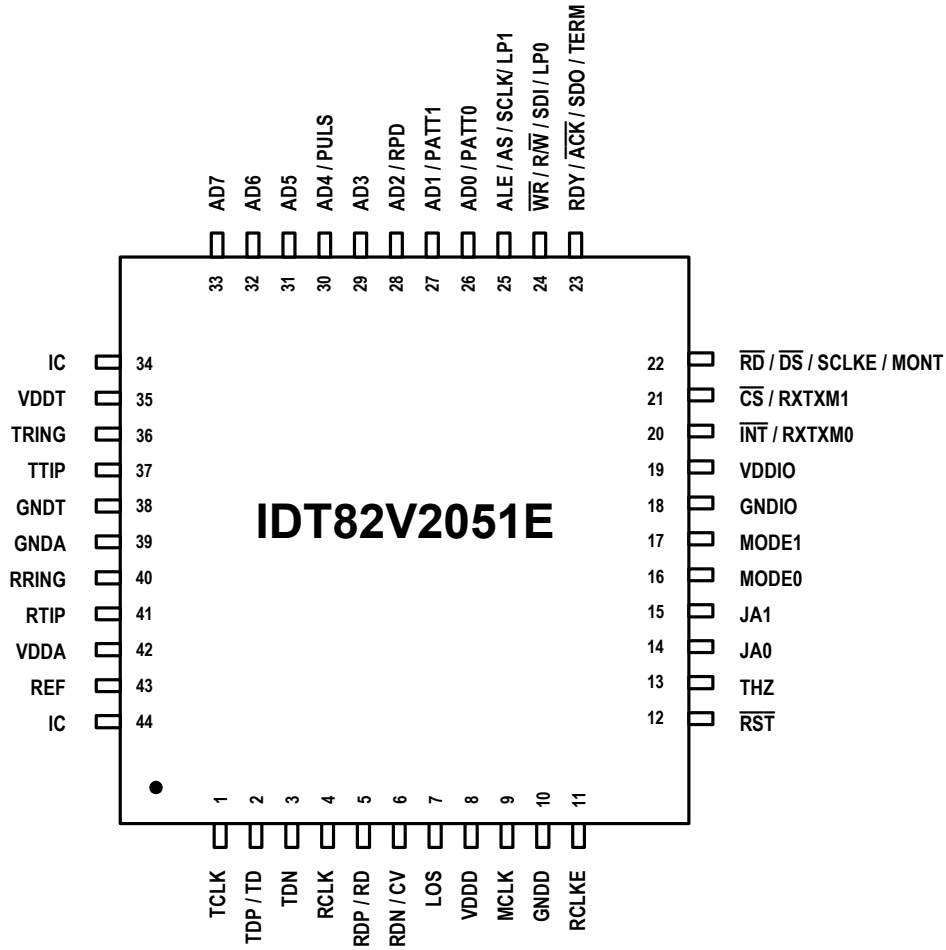


Figure-2 IDT82V2051E TQFP44 Package Pin Assignment

2 PIN DESCRIPTION

Table-1 Pin Description

| Name | Type | Pin No. | Description | | | | | | | | | | | | | | | |
|------------------|------------------|----------------|--------------------------------------------------------------------------------------------------------------------------------------------------------------------------------------------------------------------------------------------------------------------------------------------------------------------------------------------------------------------------------------------------------------------------------------------------------------------------------------------------------------------------------------------------------------------------------------------------------------------------------------------------------------------------------------------------------------------------------------------------------------------------------------------------------------------------------------------------------------------------------------------------------------------------------------------------------------------------------------------------------------------------------|-----|-----|--------------|---|---|-------|---|---|----------------|---|---|----------------|---|---|-------|
| TTIP TRING | Analog output | 37 36 | <p>TTIP/TRING: Transmit Bipolar Tip/Ring These pins are the differential line driver outputs. They will be in high impedance state under the following conditions:</p> <ul style="list-style-type: none"> • THZ pin is high; • THZ bit is set to 1; • Loss of MCLK; • Loss of TCLK (exceptions: Remote Loopback; transmit internal pattern by MCLK); • Transmit path power down; • After software reset; pin reset and power on. | | | | | | | | | | | | | | | |
| RTIP RRING | Analog input | 41 40 | <p>RTIP/RRING: Receive Bipolar Tip/Ring These signals are the differential receiver inputs.</p> | | | | | | | | | | | | | | | |
| TD/TDP TDN | I | 2 3 | <p>TD: Transmit Data When the device is in single rail mode, the NRZ data to be transmitted is input on this pin. Data on TD pin is sampled into the device on the active edge of TCLK and is encoded by AMI or HDB3 line code rules before being transmitted. In this mode, TDN should be connected to ground.</p> <p>TDP/TDN: Positive/Negative Transmit Data When the device is in dual rail mode, the NRZ data to be transmitted for positive/negative pulse is input on these pins. Data on TDP/TDN pin is sampled into the device on the active edge of TCLK. The line code in dual rail mode is as follows:</p> <table border="1" data-bbox="508 915 1081 1100"> <thead> <tr> <th>TDP</th> <th>TDN</th> <th>Output Pulse</th> </tr> </thead> <tbody> <tr> <td>0</td> <td>0</td> <td>Space</td> </tr> <tr> <td>0</td> <td>1</td> <td>Positive Pulse</td> </tr> <tr> <td>1</td> <td>0</td> <td>Negative Pulse</td> </tr> <tr> <td>1</td> <td>1</td> <td>Space</td> </tr> </tbody> </table> | TDP | TDN | Output Pulse | 0 | 0 | Space | 0 | 1 | Positive Pulse | 1 | 0 | Negative Pulse | 1 | 1 | Space |
| TDP | TDN | Output Pulse | | | | | | | | | | | | | | | | |
| 0 | 0 | Space | | | | | | | | | | | | | | | | |
| 0 | 1 | Positive Pulse | | | | | | | | | | | | | | | | |
| 1 | 0 | Negative Pulse | | | | | | | | | | | | | | | | |
| 1 | 1 | Space | | | | | | | | | | | | | | | | |
| TCLK | I | 1 | <p>TCLK: Transmit Clock input This pin inputs a 2.048 MHz transmit clock. The transmit data at TD/TDP or TDN is sampled into the device on the active edge of TCLK. If TCLK is missing¹ and the TCLK missing interrupt is not masked, an interrupt will be generated.</p> | | | | | | | | | | | | | | | |
| RD/RDP CV/RDN | O | 5 6 | <p>RD: Receive Data output In single rail mode, this pin outputs NRZ data. The data is decoded according to AMI or HDB3 line code rules.</p> <p>CV: Code Violation indication In single rail mode, the BPV/CV code violation will be reported by driving the CV pin to high level for a full clock cycle. HDB3 line code violation can be indicated if the HDB3 decoder is enabled. When AMI decoder is selected, bipolar violation will be indicated.</p> <p>In hardware control mode, the EXZ, BPV/CV errors in received data stream are always monitored by the CV pin if single rail mode is chosen.</p> <p>RDP/RDN: Positive/Negative Receive Data output In dual rail mode, this pin outputs the re-timed NRZ data when CDR is enabled, or directly outputs the raw RZ slicer data if CDR is bypassed.</p> <p>Active edge and level select: Data on RDP/RDN or RD is clocked with either the rising or the falling edge of RCLK. The active polarity is also selectable.</p> | | | | | | | | | | | | | | | |
| RCLK | O | 4 | <p>RCLK: Receive Clock output This pin outputs a 2.048 MHz receive clock. Under LOS condition with AIS enabled (bit AISE=1), RCLK is derived from MCLK. In clock recovery mode, this signal provides the clock recovered from the RTIP/RRING signal. The receive data (RD in single rail mode or RDP and RDN in dual rail mode) is clocked out of the device on the active edge of RCLK. If clock recovery is bypassed, RCLK is the exclusive OR (XOR) output of the dual rail slicer data RDP and RDN. This signal can be used in applications with external clock recovery circuitry.</p> | | | | | | | | | | | | | | | |

Notes:

1. TCLK missing: the state of TCLK continues to be high level or low level over 70 MCLK cycles.

Table-1 Pin Description (Continued)

| Name | Type | Pin No. | Description | | | | | | | | | | |
|-------------------------------|-------------------------------------------|----------|--------------------------------------------------------------------------------------------------------------------------------------------------------------------------------------------------------------------------------------------------------------------------------------------------------------------------------------------------------------------------------------------------------------------------------------------------------------------------------------------------------------------------------------------------------------------------------------------------------------------------------------------------------------------------------------------------------------------------------------------------------------------------------------------------------------------------------------------------------------------------------------------------------------------------------------------------------------------------------------------------------------------------------------------------------------------------------------------------------------------------------------------------------------------------------------------------------------------------------------------------------------------------------------------------------------------------------------------------------------------------------------|-----------|------------------------|----|--------------------|----|----------------------------------|----|-------------------------------------------|----|----------------------------------------|
| MCLK | I | 9 | <p>MCLK: Master Clock input A built-in clock system that accepts a 2.048MHz reference clock. This reference clock is used to generate several internal reference signals:</p> <ul style="list-style-type: none"> • Timing reference for the integrated clock recovery unit. • Timing reference for the integrated digital jitter attenuator. • Timing reference for microcontroller interface. • Generation of RCLK signal during a loss of signal condition. • Reference clock to transmit All Ones, all zeros and PRBS pattern. Note that for ATAO and AIS, MCLK is always used as the reference clock. • Reference clock during the Transmit All Ones (TAO) condition or sending PRBS in hardware control mode. <p>The loss of MCLK will turn TTIP/TRING into high impedance status.</p> | | | | | | | | | | |
| LOS | O | 7 | <p>LOS: Loss of Signal Output This is an active high signal used to indicate the loss of received signal. When LOS pin becomes high, it indicates the loss of received signal. The LOS pin will become low automatically when valid received signal is detected again. The criteria of loss of signal are described in 3.5 Los And AIS Detection.</p> | | | | | | | | | | |
| REF | I | 43 | <p>REF: reference resistor An external resistor (3 KΩ, 1%) is used to connect this pin to ground to provide a standard reference current for internal circuit.</p> | | | | | | | | | | |
| MODE1 MODE0 | I | 17 16 | <p>MODE[1:0]: operation mode of Control interface select The level on this pin determines which control mode is used to control the device as follows:</p> <table border="1" style="margin-left: auto; margin-right: auto;"> <thead> <tr> <th>MODE[1:0]</th> <th>Control Interface mode</th> </tr> </thead> <tbody> <tr> <td>00</td> <td>Hardware interface</td> </tr> <tr> <td>01</td> <td>Serial Microcontroller Interface</td> </tr> <tr> <td>10</td> <td>Parallel –Multiplexed -Motorola Interface</td> </tr> <tr> <td>11</td> <td>Parallel –Multiplexed -Intel Interface</td> </tr> </tbody> </table> <ul style="list-style-type: none"> • The serial microcontroller Interface consists of \overline{CS}, SCLK, SCLKE, SDI, SDO and \overline{INT} pins. SCLKE is used for the selection of the active edge of SCLK. • The parallel multiplexed microcontroller interface consists of \overline{CS}, AD[7:0], $\overline{DS}/\overline{RD}$, R$\overline{W}/\overline{WR}$, ALE/AS, $\overline{ACK}/\overline{RDY}$ and \overline{INT} pins. (refer to 3.11 Microcontroller Interfaces for details) • Hardware interface consists of PULS, THZ, RCLKE, LP[1:0], PATT[1:0], JA[1:0], MONT, TERM, RPD, MODE[1:0] and RXTXM[1:0] | MODE[1:0] | Control Interface mode | 00 | Hardware interface | 01 | Serial Microcontroller Interface | 10 | Parallel –Multiplexed -Motorola Interface | 11 | Parallel –Multiplexed -Intel Interface |
| MODE[1:0] | Control Interface mode | | | | | | | | | | | | |
| 00 | Hardware interface | | | | | | | | | | | | |
| 01 | Serial Microcontroller Interface | | | | | | | | | | | | |
| 10 | Parallel –Multiplexed -Motorola Interface | | | | | | | | | | | | |
| 11 | Parallel –Multiplexed -Intel Interface | | | | | | | | | | | | |
| RCLKE | I | 11 | <p>RCLKE: the active edge of RCLK select In hardware control mode, this pin selects the active edge of RCLK</p> <ul style="list-style-type: none"> • L= select the rising edge as the active edge of RCLK • H= select the falling edge as the active edge of RCLK <p>In software control mode, this pin should be connected to GNDIO.</p> | | | | | | | | | | |
| \overline{CS} RXTXM1 | I | 21 | <p>\overline{CS}: Chip Select In serial or parallel microcontroller interface mode, this is the active low enable signal. A low level on this pin enables serial or parallel microcontroller interface.</p> <p>RXTXM[1:0]: Receive and transmit path operation mode select In hardware control mode, these pins are used to select the single rail or dual rail operation modes as well as AMI or HDB3 line coding:</p> <ul style="list-style-type: none"> • 00= single rail with HDB3 coding • 01= single rail with AMI coding • 10= dual rail interface with CDR enabled • 11= slicer mode (dual rail interface with CDR disabled) | | | | | | | | | | |

Table-1 Pin Description (Continued)

| Name | Type | Pin No. | Description |
|--------------------------------|------|---------|---------------------------------------------------------------------------------------------------------------------------------------------------------------------------------------------------------------------------------------------------------------------------------------------------------------------------------------------------------------------------------------------------------------------------------------------------------------------------------------------------------------------------------------|
| $\overline{\text{INT}}$ | O | 20 | <p>INT: Interrupt Request In software control mode, this pin outputs the general interrupt request for all interrupt sources. These interrupt sources can be masked individually via registers (INTM0, 14H) and (INTM1, 15H). The interrupt status is reported via the registers (INTS0, 19H) and (INTS1, 1AH).</p> <p>Output characteristics of this pin can be defined to be push-pull (active high or active low) or open-drain (active low) by setting INT_PIN[1:0] (GCF, 02H).</p> |
| RXTXM0 | I | | <p>RXTXM0 See RXTXM1 above.</p> |
| SCLK | I | 25 | <p>SCLK: Shift Clock In serial microcontroller interface mode, this signal is the shift clock for the serial interface. Configuration data on SDI pin is sampled on the rising edge of SCLK. Configuration and status data on SDO pin is clocked out of the device on the falling edge of SCLK if SCLKE pin is high, or on the rising edge of SCLK if SCLKE pin is low.</p> |
| ALE | | | <p>ALE: Address Latch Enable In parallel microcontroller interface mode with multiplexed Intel interface, the address on AD[7:0] is sampled into the device on the falling edge of ALE.</p> |
| AS | | | <p>AS: Address Strobe In parallel microcontroller interface mode with multiplexed Motorola interface, the address on AD[7:0] is latched into the device on the falling edge of AS.</p> |
| LP1 | | | <p>LP[1:0]: Loopback mode select When the chip is configured by hardware, this pin is used to select loopback operation modes:</p> <ul style="list-style-type: none"> • 00= no loopback • 01= analog loopback • 10= digital loopback • 11= remote loopback |
| SDI | I | 24 | <p>SDI: Serial Data Input In serial microcontroller interface mode, this signal is the input data to the serial interface. Configuration data at SDI pin is sampled by the device on the rising edge of SCLK.</p> |
| $\overline{\text{WR}}$ | | | <p>$\overline{\text{WR}}$: Write Strobe In Intel parallel multiplexed interface mode, this pin is asserted low by the microcontroller to initiate a write cycle. The data on AD[7:0] is sampled into the device in a write operation.</p> |
| $\text{R}/\overline{\text{W}}$ | | | <p>$\text{R}/\overline{\text{W}}$: Read/Write Select In Motorola parallel multiplexed interface mode, this pin is low for write operation and high for read operation.</p> |
| LP0 | | | <p>LP0 See LP1 above.</p> |

Table-1 Pin Description (Continued)

| Name | Type | Pin No. | Description | | | | | | |
|-------------------------|----------------------------------|---------|----------------------------------------------------------------------------------------------------------------------------------------------------------------------------------------------------------------------------------------------------------------------------------------------------------------------------------------------------------------------------------------------------------------------------------------------------------------------------------------------------------------------------------------------------------------------------------------------------------------------------------------------------------|-------|------|-----|---------------------------------|------|----------------------------------|
| SDO | O | 23 | <p>SDO: Serial Data Output In serial microcontroller interface mode, this signal is the output data of the serial interface. Configuration or Status data at SDO pin is clocked out of the device on the falling edge of SCLK if SCLKE pin is high, or on the rising edge of SCLK if SCLKE pin is low.</p> | | | | | | |
| $\overline{\text{ACK}}$ | | | <p>$\overline{\text{ACK}}$: Acknowledge Output In Motorola parallel mode interface, the low level on this pin means:</p> <ul style="list-style-type: none"> The valid information is on the data bus during a read operation. The write data has been accepted during a write cycle. | | | | | | |
| RDY | | | <p>RDY: Ready signal output In Intel parallel mode interface, the low level on this pin means a read or write operation is in progress; a high acknowledges a read or write operation has been completed.</p> | | | | | | |
| TERM | I | | <p>TERM: Internal or external termination select in hardware mode This pin selects internal or external impedance matching for both receiver and transmitter.</p> <ul style="list-style-type: none"> 0 = ternary interface with external impedance matching network 1 = ternary interface with internal impedance matching network | | | | | | |
| SCLKE | I | 22 | <p>SCLKE: Serial Clock Edge Select In serial microcontroller interface mode, this signal selects the active edge of SCLK for outputting SDO. The output data is valid after some delay from the active clock edge. It can be sampled on the opposite edge of the clock. The active clock edge which clocks the data out of the device is selected as shown below:</p> <table border="1" data-bbox="506 961 1027 1075"> <thead> <tr> <th>SCLKE</th> <th>SCLK</th> </tr> </thead> <tbody> <tr> <td>Low</td> <td>Rising edge is the active edge.</td> </tr> <tr> <td>High</td> <td>Falling edge is the active edge.</td> </tr> </tbody> </table> | SCLKE | SCLK | Low | Rising edge is the active edge. | High | Falling edge is the active edge. |
| SCLKE | SCLK | | | | | | | | |
| Low | Rising edge is the active edge. | | | | | | | | |
| High | Falling edge is the active edge. | | | | | | | | |
| $\overline{\text{RD}}$ | | | <p>$\overline{\text{RD}}$: Read Strobe In Intel parallel multiplexed interface mode, the data is driven to AD[7:0] by the device during low level of $\overline{\text{RD}}$ in a read operation.</p> | | | | | | |
| $\overline{\text{DS}}$ | | | <p>$\overline{\text{DS}}$: Data Strobe In Motorola parallel multiplexed interface mode, this signal is the data strobe of the parallel interface. In a write operation ($R/\overline{W} = 0$), the data on AD[7:0] is sampled into the device. In a read operation ($R/\overline{W} = 1$), the data is driven to AD[7:0] by the device.</p> | | | | | | |
| MONT | | | <p>MONT: Receive Monitor gain select In hardware control mode with ternary interface, this pin selects the receive monitor gain of receiver: 0= 0 dB 1= 26 dB</p> | | | | | | |
| AD7 | I/O | 33 | <p>AD7: Address/Data Bus bit7 In Intel/Motorola multiplexed interface mode, this signal is the multiplexed bi-directional address/data bus of the microcontroller interface. In serial microcontroller interface mode, this pin should be connected to ground through a 10 kΩ resistor. In Hardware mode, this pin has to be tied to GND.</p> | | | | | | |
| AD6 | I/O | 32 | <p>AD6: Address/Data Bus bit6 In Intel/Motorola multiplexed interface mode, this signal is the multiplexed bi-directional address/data bus of the microcontroller interface. In serial microcontroller interface mode, this pin should be connected to ground through a 10 kΩ resistor. In Hardware mode, this pin has to be tied to GND.</p> | | | | | | |

Table-1 Pin Description (Continued)

| Name | Type | Pin No. | Description |
|-------|------|---------|---------------------------------------------------------------------------------------------------------------------------------------------------------------------------------------------------------------------------------------------------------------------------------------------------------------------------------------------------------------------------------------------------------------------------------------------------------------------------------------------------------------------------------------------------------------------------------------------------------------------------------------------------------------------------------------------------|
| AD5 | I/O | 31 | <p>AD5: Address/Data Bus bit5 In Intel/Motorola multiplexed interface mode, this signal is the multiplexed bi-directional address/data bus of the microcontroller interface. In serial microcontroller interface mode, this pin should be connected to ground through a 10 kΩ resistor. In Hardware mode, this pin has to be tied to GND.</p> |
| AD4 | I/O | 30 | <p>AD4: Address/Data Bus bit4 In Intel/Motorola multiplexed interface mode, this signal is the multiplexed bi-directional address/data bus of the microcontroller interface. In serial microcontroller interface mode, this pin should be connected to ground through a 10 kΩ resistor.</p> <p>PULS: this pin is used to select the following functions in hardware control mode:</p> <ul style="list-style-type: none"> • Transmit pulse template • Internal termination impedance (75 Ω / 120 Ω) Refer to 5 Hardware Control Pin Summary for details. |
| AD3 | I/O | 29 | <p>AD3: Address/Data Bus bit3 In Intel/Motorola multiplexed interface mode, this signal is the multiplexed bi-directional address/data bus of the microcontroller interface. In serial microcontroller interface mode, this pin should be connected to ground through a 10 kΩ resistor.</p> |
| AD2 | I/O | 28 | <p>AD2: Address/Data Bus bit2 In Intel/Motorola multiplexed interface mode, this signal is the multiplexed bi-directional address/data bus of the microcontroller interface. In serial microcontroller interface mode, this pin should be connected to ground through a 10 kΩ resistor.</p> |
| RPD | I | | <p>RPD: Receiver power down control in hardware control mode</p> <ul style="list-style-type: none"> • 0= normal operation • 1= receiver power down |
| AD1 | I/O | 27 | <p>AD1: Address/Data Bus bit1 In Intel/Motorola multiplexed interface mode, this signal is the multiplexed bi-directional address/data bus of the microcontroller interface. In serial microcontroller interface mode, this pin should be connected to ground through a 10 kΩ resistor.</p> |
| PATT1 | I | | <p>PATT[1:0]: Transmit pattern select In hardware control mode, this pin selects the transmit pattern</p> <ul style="list-style-type: none"> • 00 = normal • 01= All Ones • 10= PRBS • 11= transmitter power down |
| AD0 | I/O | 26 | <p>AD0: Address/Data Bus bit0 In Intel/Motorola multiplexed interface mode, this signal is the multiplexed bi-directional address/data bus of the microcontroller interface. In serial microcontroller interface mode, this pin should be connected to ground through a 10 kΩ resistor.</p> |
| PATT0 | I | | See above. |
| JA1 | I | 15 | <p>JA[1:0]: Jitter attenuation position, bandwidth and the depth of FIFO select (only used for hardware control mode)</p> <ul style="list-style-type: none"> • 00 = JA is disabled • 01 = JA in receiver, broad bandwidth, FIFO=64 bits • 10 = JA in receiver, narrow bandwidth, FIFO=128 bits • 11 = JA in transmitter, narrow bandwidth, FIFO=128 bits In software control mode, this pin should be connected to ground. |
| JA0 | I | 14 | See above. |

Table-1 Pin Description (Continued)

| Name | Type | Pin No. | Description |
|-----------------------------------|------|---------|-------------------------------------------------------------------------------------------------------------------------------------------------------------------------------------------------------------------------------------------------------------------------------------------------------------------|
| RST | I | 12 | RST: Hardware reset The chip is forced to reset state if a low signal is input on this pin for more than 100 ns. MCLK must be active during reset. |
| THZ | I | 13 | THZ: Transmitter Driver High Impedance Enable This signal enables or disables transmitter driver. A low level on this pin enables the driver while a high level on this pin places driver in high impedance state. Note that the functionality of the internal circuits is not affected by this signal. |
| Power Supplies and Grounds | | | |
| VDDIO | - | 19 | 3.3 V I/O power supply |
| GNDIO | - | 18 | I/O ground |
| VDDT | - | 35 | 3.3 V power supply for transmitter driver |
| GNDT | - | 38 | Analog ground for transmitter driver |
| VDDA | - | 42 | 3.3 V analog core power supply |
| GND A | - | 39 | Analog core ground |
| VDDD | - | 8 | Digital core power supply |
| GNDD | - | 10 | Digital core ground |
| Others | | | |
| IC | - | 34 | IC: Internal connection Internal Use. This pin should be left open when in normal operation. |
| IC | - | 44 | IC: Internal connection Internal Use. This pin should be connected to ground when in normal operation. |

3 FUNCTIONAL DESCRIPTION

3.1 CONTROL MODE SELECTION

The IDT82V2051E can be configured by software or by hardware. The software control mode supports Serial Control Interface, Motorola Multiplexed Control Interface and Intel Multiplexed Control Interface. The Control mode is selected by MODE1 and MODE0 pins as follows:

| | Control Interface mode |
|----|-------------------------------------------|
| 00 | Hardware interface |
| 01 | Serial Microcontroller Interface. |
| 10 | Parallel –Multiplexed -Motorola Interface |
| 11 | Parallel –Multiplexed -Intel Interface |

- The serial microcontroller Interface consists of \overline{CS} , SCLK, SCLKE, SDI, SDO and \overline{INT} pins. SCLKE is used for the selection of active edge of SCLK.
- The parallel Multiplexed microcontroller Interface consists of \overline{CS} , AD[7:0], $\overline{DS/RD}$, R/W/ \overline{WR} , ALE/AS, $\overline{ACK/RDY}$ and \overline{INT} pins.
- Hardware interface consists of PULS, THZ, RCLKE, LP[1:0], PATT[1:0], JA[1:0], MONT, TERM, RPD, MODE[1:0] and RXTXM[1:0]. Refer to [5 Hardware Control Pin Summary](#) for details about hardware control.

3.2 TRANSMIT PATH

The transmit path of IDT82V2051E consists of an Encoder, an optional Jitter Attenuator, a Waveform Shaper, a Line Driver and a Programmable Transmit Termination.

3.2.1 TRANSMIT PATH SYSTEM INTERFACE

The transmit path system interface consists of TCLK pin, TD/TDP pin and TDN pin. TCLK is a 2.048 MHz clock. If TCLK is missing for more than 70 MCLK cycles, an interrupt will be generated if it is not masked.

Transmit data is sampled on the TD/TDP and TDN pins by the active edge of TCLK. The active edge of TCLK can be selected by the TCLK_SEL bit (**TCF0, 05H**). And the active level of the data on TD/TDP and TDN can be selected by the TD_INV bit (**TCF0, 05H**). In hardware control mode, the falling edge of TCLK and the active high of transmit data are always used.

The transmit data from the system side can be provided in two different ways: Single Rail and Dual Rail. In Single Rail mode, only TD pin is used for transmitting data and the T_MD[1] bit (**TCF0, 05H**) should be set to '0'. In Dual Rail Mode, both TDP pin and TDN pin are used for transmitting data, the T_MD[1] bit (**TCF0, 05H**) should be set to '1'.

3.2.2 ENCODER

In Single Rail mode, the Encoder can be configured to be a HDB3 encoder or an AML encoder by setting T_MD[0] bit (**TCF0, 05H**).

In Dual Rail mode, the Encoder is by-passed. In Dual Rail mode, a logic '1' on the TDP pin and a logic '0' on the TDN pin results in a negative pulse on the TTIP/TRING; a logic '0' on TDP pin and a logic '1' on TDN pin results

in a positive pulse on the TTIP/TRING. If both TDP and TDN are high or low, the TTIP/TRING outputs a space (Refer to [TD/TDP, TDN Pin Description](#)).

In hardware control mode, the operation mode of receive and transmit path can be selected by setting RXTXM1 and RXTXM0 pins. Refer to [5 Hardware Control Pin Summary](#) for details.

3.2.3 PULSE SHAPER

The IDT82V2051E provides two ways of manipulating the pulse shape before sending it. One is to use preset pulse templates, the other is to use user-programmable arbitrary waveform template.

In software control mode, the pulse shape can be selected by setting the related registers.

In hardware control mode, the pulse shape can be selected by setting PULS pin. Refer to [5 Hardware Control Pin Summary](#) for details.

3.2.3.1 PRESET PULSE TEMPLATES

The pulse shape is shown in [Figure-3](#) according to the G.703 and the measuring diagram is shown in [Figure-4](#). In internal impedance matching mode, if the cable impedance is 75 Ω , the PULS[3:0] bits (**TCF1, 06H**) should be set to '0000'; if the cable impedance is 120 Ω , the PULS[3:0] bits (**TCF1, 06H**) should be set to '0001'. In external impedance matching mode, for both E1/75 Ω and E1/120 Ω cable impedance, PULS[3:0] should be set to '0001'.

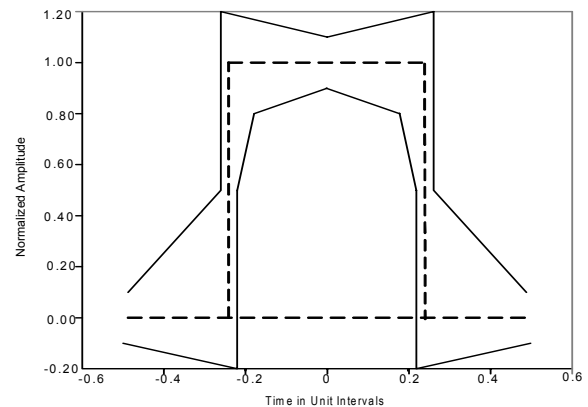


Figure-3 E1 Waveform Template Diagram

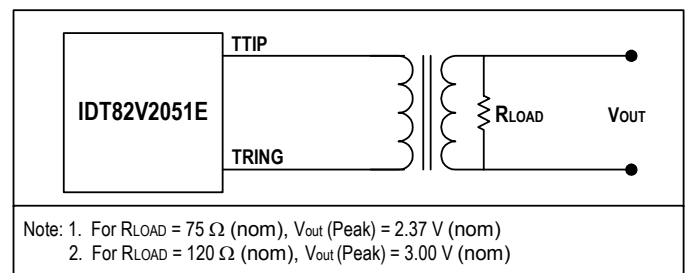


Figure-4 E1 Pulse Template Test Circuit

3.2.3.2 USER-PROGRAMMABLE ARBITRARY WAVEFORM

When the PULS[3:0] bits are set to '11xx', user-programmable arbitrary waveform generator mode can be used. This allows the transmitter performance to be tuned for a wide variety of line condition or special application.

Each pulse shape can extend up to 4 UIs (Unit Interval), addressed by UI[1:0] bits (**TCF3, 08H**) and each UI is divided into 16 sub-phases, addressed by the SAMP[3:0] bits (**TCF3, 08H**). The pulse amplitude of each phase is represented by a binary byte, within the range from +63 to -63, stored in WDAT[6:0] bits (**TCF4, 09H**) in signed magnitude form. The most positive number +63 (D) represents the positive maximum amplitude of the transmit pulse while the most negative number -63 (D) represents the maximum negative amplitude of the transmit pulse. Therefore, up to 64 bytes are used.

There are two standard templates which are stored in an on-chip ROM. User can select one of them as reference and make some changes to get the desired waveform.

User can change the wave shape and the amplitude to get the desired pulse shape. In order to do this, firstly, users can choose a set of waveform value from the following two tables, which is the most similar to the desired pulse shape. [Table-2](#) and [Table-3](#) list the sample data and scaling data of each of the two templates. Then modify the corresponding sample data to get the desired transmit pulse shape.

Secondly, through the value of SCAL[5:0] bits increased or decreased by 1, the pulse amplitude can be scaled up or down at the percentage ratio against the standard pulse amplitude if needed. For different pulse shapes, the value of SCAL[5:0] bits and the scaling percentage ratio are different. The following two tables list these values.

Do the followings step by step, the desired waveform can be programmed, based on the selected waveform template:

- (1). Select the UI by UI[1:0] bits (**TCF3, 08H**)
- (2). Specify the sample address in the selected UI by SAMP [3:0] bits (**TCF3, 08H**)
- (3). Write sample data to WDAT[6:0] bits (**TCF4, 09H**). It contains the data to be stored in the RAM, addressed by the selected UI and the corresponding sample address.
- (4). Set the RW bit (**TCF3, 08H**) to '0' to implement writing data to RAM, or to '1' to implement read data from RAM
- (5). Implement the Read from RAM/Write to RAM by setting the DONE bit (**TCF3, 08H**)

Repeat the above steps until all the sample data are written to or read from the internal RAM.

- (6). Write the scaling data to SCAL[5:0] bits (**TCF2, 07H**) to scale the amplitude of the waveform based on the selected standard pulse amplitude

When more than one UI is used to compose the pulse template, the overlap of two consecutive pulses could make the pulse amplitude overflow (exceed the maximum limitation) if the pulse amplitude is not set properly. This overflow is captured by DAC_OV_IS bit (**INTS1, 1AH**), and, if enabled by the DAC_OV_IM bit (**INTM1, 15H**), an interrupt will be generated.

The following tables give all the sample data based on the preset pulse templates in detail for reference. For preset pulse templates, scaling up/down against the pulse amplitude is not supported.

1. [Table-2](#) Transmit Waveform Value For E1 75 Ω

2. [Table-3](#) Transmit Waveform Value For E1 120 Ω

Table-2 Transmit Waveform Value For E1 75 ohm

| Sample | UI 1 | UI 2 | UI 3 | UI 4 |
|--------|---------|---------|---------|---------|
| 1 | 0000000 | 0000000 | 0000000 | 0000000 |
| 2 | 0000000 | 0000000 | 0000000 | 0000000 |
| 3 | 0000000 | 0000000 | 0000000 | 0000000 |
| 4 | 0001100 | 0000000 | 0000000 | 0000000 |
| 5 | 0110000 | 0000000 | 0000000 | 0000000 |
| 6 | 0110000 | 0000000 | 0000000 | 0000000 |
| 7 | 0110000 | 0000000 | 0000000 | 0000000 |
| 8 | 0110000 | 0000000 | 0000000 | 0000000 |
| 9 | 0110000 | 0000000 | 0000000 | 0000000 |
| 10 | 0110000 | 0000000 | 0000000 | 0000000 |
| 11 | 0110000 | 0000000 | 0000000 | 0000000 |
| 12 | 0110000 | 0000000 | 0000000 | 0000000 |
| 13 | 0000000 | 0000000 | 0000000 | 0000000 |
| 14 | 0000000 | 0000000 | 0000000 | 0000000 |
| 15 | 0000000 | 0000000 | 0000000 | 0000000 |
| 16 | 0000000 | 0000000 | 0000000 | 0000000 |

SCAL[5:0] = 100001 (default), One step change of this value of SCAL[5:0] results in 3% scaling up/down against the pulse amplitude.

Table-3 Transmit Waveform Value For E1 120 ohm

| Sample | UI 1 | UI 2 | UI 3 | UI 4 |
|--------|---------|---------|---------|---------|
| 1 | 0000000 | 0000000 | 0000000 | 0000000 |
| 2 | 0000000 | 0000000 | 0000000 | 0000000 |
| 3 | 0000000 | 0000000 | 0000000 | 0000000 |
| 4 | 0001111 | 0000000 | 0000000 | 0000000 |
| 5 | 0111100 | 0000000 | 0000000 | 0000000 |
| 6 | 0111100 | 0000000 | 0000000 | 0000000 |
| 7 | 0111100 | 0000000 | 0000000 | 0000000 |
| 8 | 0111100 | 0000000 | 0000000 | 0000000 |
| 9 | 0111100 | 0000000 | 0000000 | 0000000 |
| 10 | 0111100 | 0000000 | 0000000 | 0000000 |
| 11 | 0111100 | 0000000 | 0000000 | 0000000 |
| 12 | 0111100 | 0000000 | 0000000 | 0000000 |
| 13 | 0000000 | 0000000 | 0000000 | 0000000 |
| 14 | 0000000 | 0000000 | 0000000 | 0000000 |
| 15 | 0000000 | 0000000 | 0000000 | 0000000 |
| 16 | 0000000 | 0000000 | 0000000 | 0000000 |

SCAL[5:0] = 100001 (default), One step change of this value of SCAL[5:0] results in 3% scaling up/down against the pulse amplitude.

3.2.4 TRANSMIT PATH LINE INTERFACE

The transmit line interface consists of TTIP pin and TRING pin. The impedance matching can be realized by the internal impedance matching circuit or the external impedance matching circuit. If T_TERM[2] is set to '0', the internal impedance matching circuit will be selected. In this case, the T_TERM[1:0] bits (TERM, 03H) can be set to choose 75 Ω or 120 Ω internal impedance of TTIP/TRING. If T_TERM[2] is set to '1', the internal impedance matching circuit will be disabled. In this case, the external impedance matching circuit will be used to realize the impedance matching. Figure-6 shows the appropriate external components to connect with the cable. Table-4 is the list of the recommended impedance matching for transmitter.

In hardware control mode, TERM pin can be used to select impedance matching for both receiver and transmitter. If TERM pin is low, external impedance network will be used for impedance matching. If TERM pin is high, internal impedance will be used for impedance matching and PULS

pin will be set to select the specific internal impedance. Refer to [5 Hardware Control Pin Summary](#) for details.

The TTIP/TRING pins can also be turned into high impedance by setting the THZ bit (TCF1, 06H) to '1'. In this state, the internal transmit circuits are still active.

In hardware control mode, TTIP/TRING can be turned into high impedance by pulling THZ pin to high. Refer to [5 Hardware Control Pin Summary](#) for details.

Besides, in the following cases, both TTIP/TRING pins will also become high impedance:

- Loss of MCLK;
- Loss of TCLK (exceptions: Remote Loopback; Transmit internal pattern by MCLK);
- Transmit path power down;
- After software reset; pin reset and power on.

Table-4 Impedance Matching for Transmitter

| Cable Configuration | Internal Termination | | | External Termination | | |
|---------------------|----------------------|-----------|----------------|----------------------|-----------|----------------|
| | T_TERM[2:0] | PULS[3:0] | R _T | T_TERM[2:0] | PULS[3:0] | R _T |
| E1 / 75 Ω | 000 | 0000 | 0 Ω | 1XX | 0001 | 9.4 Ω |
| E1 / 120 Ω | 001 | 0001 | | | | |

Note: The precision of the resistors should be better than $\pm 1\%$

3.2.5 TRANSMIT PATH POWER DOWN

The transmit path can be powered down by setting the T_OFF bit (TCF0, 05H) to '1'. In this case, the TTIP/TRING pins are turned into high impedance.

In hardware control mode, the transmit path can be powered down by pulling both PATT1 and PATT0 pins to high. Refer to [5 Hardware Control Pin Summary](#) for details.

3.3 RECEIVE PATH

The receive path consists of Receive Internal Termination, Monitor Gain, Amplitude/Wave Shape Detector, Digital Tuning Controller, Adaptive Equalizer, Data Slicer, CDR (Clock & Data Recovery), Optional Jitter Attenuator, Decoder and LOS/AIS Detector. Refer to Figure-5.

3.3.1 RECEIVE INTERNAL TERMINATION

The impedance matching can be realized by the internal impedance matching circuit or the external impedance matching circuit. If R_TERM[2]

is set to '0', the internal impedance matching circuit will be selected. In this case, the R_TERM[1:0] bits (TERM, 03H) can be set to choose 75 Ω or 120 Ω internal impedance of RTIP/RRING. If R_TERM[2] is set to '1', the internal impedance matching circuit will be disabled. In this case, the external impedance matching circuit will be used to realize the impedance matching. Figure-6 shows the appropriate external components to connect with the cable. Table-5 is the list of the recommended impedance matching for receiver.

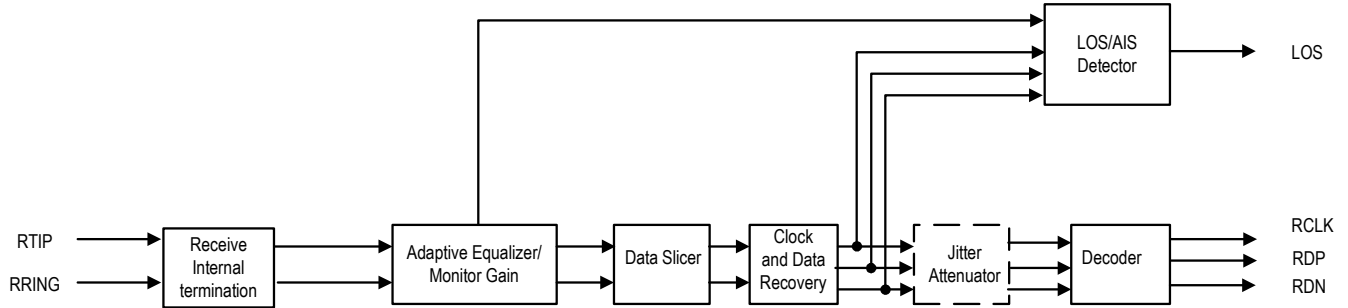
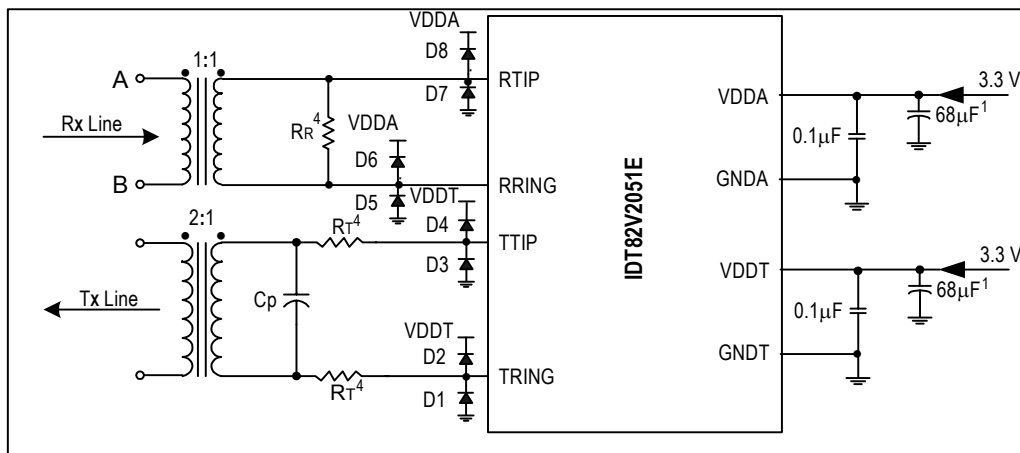


Figure-5 Receive Monitor Gain Adaptive Equalizer

Table-5 Impedance Matching for Receiver

| Cable Configuration | Internal Termination | | External Termination | |
|---------------------|----------------------|----------------|----------------------|----------------|
| | R_TERM[2:0] | R _R | R_TERM[2:0] | R _R |
| E1/75 Ω | 000 | 120 Ω | 1XX | 75 Ω |
| E1/120 Ω | 001 | | | 120 Ω |



- Note: 1. Common decoupling capacitor, one per chip
 2. Cp 0-560 (pF)
 3. D1 - D8, Motorola - MBR0540T1; International Rectifier - 11DQ04 or 10BQ060
 4. R_T/ R_R: refer to Table-4 and Table-5 respectively for R_T and R_R values

Figure-6 Transmit/Receive Line Circuit

In hardware control mode, TERM and PULS pins can be used to select impedance matching for both receiver and transmitter. If TERM pin is low, external impedance network will be used for impedance matching. If TERM pin is high, internal impedance will be used for impedance matching and PULS pins can be set to select the specific internal impedance. Refer to [5 Hardware Control Pin Summary](#) for details.

3.3.2 LINE MONITOR

The non-intrusive monitoring on channels located in other chips can be performed by tapping the monitored channel through a high impedance bridging circuit. Refer to [Figure-7](#) and [Figure-9](#).

After a high resistance bridging circuit, the signal arriving at the RTIP/RRING is dramatically attenuated. To compensate this attenuation, the Monitor Gain can be used to boost the signal by 22 dB, 26 dB and 32 dB, selected by MG[1:0] bits (**RCF2, 0CH**). For normal operation, the Monitor Gain should be set to 0 dB.

In hardware control mode, MONT pin can be used to set the Monitor Gain. When MONT pin is low, the Monitor Gain is 0 dB. When MONT pin is high, the Monitor Gain is 26 dB. Refer to [5 Hardware Control Pin Summary](#) for details.

Note that LOS indication is not supported if the device is operated in Line Monitor Mode

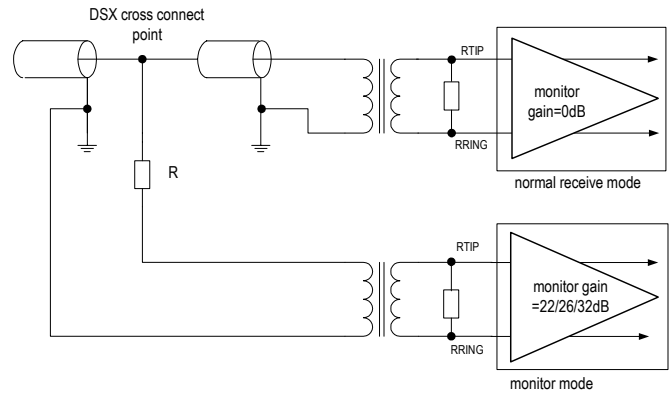


Figure-7 Monitoring Receive Line in Another Chip

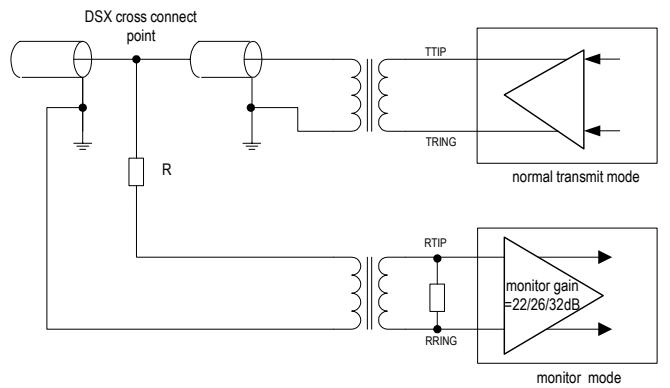


Figure-8 Monitor Transmit Line in Another Chip

3.3.3 ADAPTIVE EQUALIZER

The Adaptive Equalizer can be enabled to increase the receive sensitivity and to allow programming of the LOS level up to -24 dB. See 3.5 Los And AIS Detection. It can be enabled or disabled by setting EQ_ON bit to '1' or '0' (**RCF1, 0BH**).

3.3.4 RECEIVE SENSITIVITY

The Receive Sensitivity is -10 dB. With the Adaptive Equalizer enabled, the receive sensitivity will be -20 dB.

In Hardware mode, the Adaptive Equalizer can not be enabled and the receive sensitivity is fixed at -10 dB. Refer to [5 Hardware Control Pin Summary](#) for details.

3.3.5 DATA SLICER

The Data Slicer is used to generate a standard amplitude mark or a space according to the amplitude of the input signals. The threshold can be 40%, 50%, 60% or 70%, as selected by the SLICE[1:0] bits (**RCF2, 0CH**). The output of the Data Slicer is forwarded to the CDR (Clock & Data Recovery) unit or to the RDP/RDN pins directly if the CDR is disabled.

3.3.6 CDR (CLOCK & DATA RECOVERY)

The CDR is used to recover the clock and data from the received signal. The recovered clock tracks the jitter in the data output from the Data Slicer and keeps the phase relationship between data and clock during the absence of the incoming pulse. The CDR can also be by-passed in the Dual Rail mode. When CDR is by-passed, the data from the Data Slicer is output to the RDP/RDN pins directly.

3.3.7 DECODER

The R_MD[1:0] bits (**RCF0, 0AH**) are used to select the AMI decoder or HDB3 decoder.

When the chip is configured by hardware, the operation mode of receive and transmit path can be selected by setting RXTXM1 and RXTXM0 pins. Refer to [5 Hardware Control Pin Summary](#) for details.

3.3.8 RECEIVE PATH SYSTEM INTERFACE

The receive path system interface consists of RCLK pin, RD/RDP pin and RDN pin. The RCLK outputs a recovered 2.048 MHz clock. The received data is updated on the RD/RDP and RDN pins on the active edge of RCLK. The active edge of RCLK can be selected by the RCLK_SEL bit (**RCF0, 0AH**). And the active level of the data on RD/RDP and RDN can be selected by the RD_INV bit (**RCF0, 0AH**).

In hardware control mode, only the active edge of RCLK can be selected. If RCLKE is set to high, the falling edge will be chosen as the active edge of RCLK. If RCLKE is set to low, the rising edge will be chosen as the active edge of RCLK. The active level of the data on RD/RDP and RDN is the same as that in software control mode.

The received data can be output to the system side in two different ways: Single Rail or Dual Rail, as selected by R_MD bit [1] (**RCF0, 0AH**). In Single Rail mode, only RD pin is used to output data and the RDN/CV pin is used to report the received errors. In Dual Rail Mode, both RDP pin and RDN pin are used for outputting data.

In the receive Dual Rail mode, the CDR unit can be by-passed by setting R_MD[1:0] to '11' (binary). In this situation, the output data from the Data Slicer will be output to the RDP/RDN pins directly, and the RCLK outputs the exclusive OR (XOR) of the RDP and RDN. This is called receiver slicer mode. In this case, the transmit path is still operating in Dual Rail mode.

3.3.9 RECEIVE PATH POWER DOWN

The receive path can be powered down by setting R_OFF bit (**RCF0, 0AH**) to '1'. In this case, the RCLK, RD/RDP, RDN and LOS will be logic low.

In hardware control mode, receiver power down can be selected by pulling RPD pin to high. Refer to [5 Hardware Control Pin Summary](#) for more details.

3.4 JITTER ATTENUATOR

There is one Jitter Attenuator in the IDT82V2051E. The Jitter Attenuator can be deployed in the transmit path or the receive path, and can also be disabled. This is selected by the JACF[1:0] bits (**JACF, 04H**).

In hardware control mode, Jitter Attenuator position, bandwidth and the depth of FIFO can be selected by JA[1:0] pins. Refer to [5 Hardware Control Pin Summary](#) for details.

3.4.1 JITTER ATTENUATION FUNCTION DESCRIPTION

The Jitter Attenuator is composed of a FIFO and a DPLL, as shown in [Figure-9](#). The FIFO is used as a pool to buffer the jittered input data, then the data is clocked out of the FIFO by a de-jittered clock. The depth of the FIFO can be 32 bits, 64 bits or 128 bits, as selected by the JADP[1:0] bits (**JACF, 04H**). In hardware control mode, the depth of FIFO can be selected by JA[1:0] pins. Refer to [5 Hardware Control Pin Summary](#) for details. Consequently, the constant delay of the Jitter Attenuator will be 16 bits, 32 bits or 64 bits. Deeper FIFO can tolerate larger jitter, but at the cost of increasing data latency time.

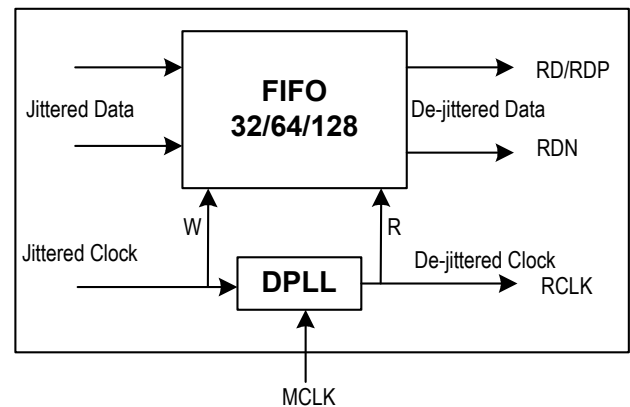


Figure-9 Jitter Attenuator

The Corner Frequency of the DPLL can be 0.9 Hz or 6.8 Hz, as selected by the JABW bit (**JACF, 04H**). The lower the Corner Frequency is, the longer time is needed to achieve synchronization.

When the incoming data moves faster than the outgoing data, the FIFO will overflow. This overflow is captured by the JAOV_IS bit (**INTS1, 1AH**). If the incoming data moves slower than the outgoing data, the FIFO will underflow. This underflow is captured by the JAUD_IS bit (**INTS1, 1AH**). For some applications that are sensitive to data corruption, the JA limit mode can be enabled by setting JA_LIMIT bit (**JACF, 04H**) to '1'. In the JA limit mode, the speed of the outgoing data will be adjusted automatically when the FIFO is close to its full or emptiness. The criteria of starting speed adjustment are shown in [Table-6](#). The JA limit mode can reduce the possibility of FIFO overflow and underflow, but the quality of jitter attenuation is deteriorated.

Table-6 Criteria of Starting Speed Adjustment

| FIFO Depth | Criteria for Adjusting Data Outgoing Speed |
|------------|--------------------------------------------|
| 32 Bits | 2 bits close to its full or emptiness |
| 64 Bits | 3 bits close to its full or emptiness |
| 128 Bits | 4 bits close to its full or emptiness |

3.4.2 JITTER ATTENUATOR PERFORMANCE

The performance of the Jitter Attenuator in the IDT82V2051E meets the ITU-T I.431, G.703, G.736-739, G.823, G.824, ETSI 300011 and ETSI TBR12/13 specifications. Details of the Jitter Attenuator performance is shown in [Table-47 Jitter Tolerance](#) and [Table-48 Jitter Attenuator Characteristics](#).

3.5 LOS AND AIS DETECTION

3.5.1 LOS DETECTION

The Loss of Signal Detector monitors the amplitude of the incoming signal level and pulse density of the received signal on RTIP and RRING.

• **LOS declare (LOS=1)**

A LOS is detected when the incoming signal has “no transitions”, i.e., when the signal level is less than Q dB below nominal for N consecutive pulse intervals. Here N is defined by LAC bit (**MAINT0, 0DH**). LOS will be declared by pulling LOS pin to high (LOS=1) and LOS interrupt will be generated if it is not masked.

Note that LOS indication is not supported if the device is operated in Line Monitor Mode. Refer to [3.3.2 Line Monitor](#).

• **LOS clear (LOS=0)**

The LOS is cleared when the incoming signal has “transitions”, i.e., when the signal level is greater than P dB below nominal and has an average pulse density of at least 12.5% for M consecutive pulse intervals, starting with the receipt of a pulse. Here M is defined by LAC bit (**MAINT0, 0DH**). LOS status is cleared by pulling LOS pin to low.

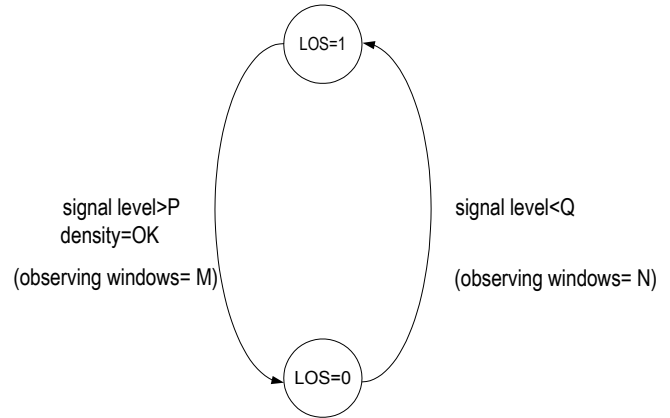


Figure-10 LOS Declare and Clear

• **LOS detect level threshold**

With the Adaptive Equalizer off, the amplitude threshold Q is fixed on 800 mVpp, while P=Q+200 mVpp (200 mVpp is the LOS level detect hysteresis).

With the Adaptive Equalizer on, the value of Q can be selected by LOS[4:0] bit (**RCF1, 0BH**), while P=Q+4 dB (4 dB is the LOS level detect hysteresis). Refer to [Table-20 TCF1: Transmitter Configuration Register 1](#) for LOS[4:0] bit values available.

When the chip is configured by hardware, the Adaptive Equalizer can not be enabled and Programmable LOS levels are not available (pin 29 has to be set to '0').

• **Criteria for declare and clear of a LOS detect**

The detection supports G.775 and ETSI 300233/I.431. The criteria can be selected by LAC bit (**MAINT0, 0DH**).

[Table-7](#) and [Table-8](#) summarize LOS declare and clear criteria for both with and without the Adaptive Equalizer enabled.

• **All Ones output during LOS**

On the system side, the RDP/RDN will reflect the input pulse “transition” at the RTIP/RRING side and output recovered clock (but the quality of the output clock can not be guaranteed when the input level is lower than the maximum receive sensitivity) when AISE bit (**MAINT0, 0DH**) is 0; or output All Ones as AIS when AISE bit (**MAINT0, 0DH**) is 1. In this case, RCLK output is replaced by MCLK.

On the line side, the TTIP/TRING will output All Ones as AIS when ATAO bit (**MAINT0, 0DH**) is 1. The All Ones pattern uses MCLK as the reference clock.

LOS indicator is always active for all kinds of loopback modes.

Table-7 LOS Declare and Clear Criteria, Adaptive Equalizer Disabled

| Control bit (LAC) | LOS declare threshold | LOS clear threshold |
|-------------------|-------------------------------|----------------------------------------------------------------------|
| 0 = G.775 | Level < 800 mVpp; N=32 bits | Level > 1 Vpp; M=32 bits; 12.5% mark density; <16 consecutive zeroes |
| 1 = I.431/ETSI | Level < 800 mVpp; N=2048 bits | Level > 1 Vpp; M=32 bits; 12.5% mark density; <16 consecutive zeroes |

Table-8 LOS Declare and Clear Criteria, Adaptive Equalizer Enabled

| Control bit | | | | LOS declare threshold | LOS clear threshold | Note |
|-------------|----------|---------------|----------|--------------------------|------------------------------------------------------------------------------|-------------------------------------------|
| LAC | LOS[4:0] | Q (dB) | | | | |
| 0 | - | 00000 | -4 | Level < Q N=32 bits | Level > Q+ 4 dB M=32 bits 12.5% mark density <16 consecutive zeroes | G.775 Level detect range is -9 to -35 dB. |
| | | ... | ... | | | |
| | | 00010 | -8 | | | |
| G.775 | | 00011 | -10 | | | |
| | | ... | ... | | | |
| | | 01010 | -24 | | | |
| | | 01011 - 11111 | Reserved | | | |
| 1 | - | 00000 | -4 | Level < Q N=2048 bits | Level > Q+ 4 dB M=32 bits 12.5% mark density <16 consecutive zeroes | I.431 Level detect range is -6 to -20 dB. |
| | | ... | ... | | | |
| | | 00001 | -6 | | | |
| I.431/ETSI | | ... | ... | | | |
| | | 01010 | -24 | | | |
| | | 01011 - 11111 | Reserved | | | |

3.5.2 AIS DETECTION

The Alarm Indication Signal can be detected by the IDT82V2051E when the Clock & Data Recovery unit is enabled. The status of AIS detection is reflected in the AIS_S bit (**STAT0, 17H**). The criteria for declaring/clearing

AIS detection comply with the ITU G.775 or the ETSI 300233, as selected by the LAC bit (**MAINT0, 0DH**). [Table-9](#) summarizes different criteria for AIS detection Declaring/Clearing.

Table-9 AIS Condition

| | ITU G.775 (LAC bit is set to '0' by default) | ETSI 300233 (LAC bit is set to '1') |
|---------------------|-------------------------------------------------------------------------------------|--------------------------------------------------------------|
| AIS detected | Less than 3 zeros contained in each of two consecutive 512-bit streams are received | Less than 3 zeros contained in a 512-bit stream are received |
| AIS cleared | 3 or more zeros contained in each of two consecutive 512-bit streams are received | 3 or more zeros contained in a 512-bit stream are received |

3.6 TRANSMIT AND DETECT INTERNAL PATTERNS

The internal patterns (All Ones, All Zeros and PRBS pattern) will be generated and detected by IDT82V2051E. TCLK is used as the reference clock by default. MCLK can also be used as the reference clock by setting the PATT_CLK bit (**MAINT0, 0DH**) to '1'.

If the PATT_CLK bit (**MAINT0, 0DH**) is set to '0' and the PATT[1:0] bits (**MAINT0, 0DH**) are set to '00', the transmit path will operate in normal mode.

When the chip is configured by hardware, the transmit path will operate in normal mode by setting PATT[1:0] pins to '00'. Refer to [5 Hardware Control Pin Summary](#) for details.

3.6.1 TRANSMIT ALL ONES

In transmit direction, the All Ones data can be inserted into the data stream when the PATT[1:0] bits (**MAINT0, 0DH**) are set to '01'. The transmit data stream is output from TTIP/TRING. In this case, either TCLK or MCLK can be used as the transmit clock, as selected by the PATT_CLK bit (**MAINT0, 0DH**).

In hardware control mode, the All Ones data can be inserted into the data stream in transmit direction by setting PATT[1:0] pins to '01'. Refer to [5 Hardware Control Pin Summary](#) for details.

3.6.2 TRANSMIT ALL ZEROS

If the PATT_CLK bit (**MAINT0, 0DH**) is set to '1', the All Zeros will be inserted into the transmit data stream when the PATT[1:0] bits (**MAINT0, 0DH**) are set to '00'.

3.6.3 PRBS GENERATION AND DETECTION

A PRBS will be generated in the transmit direction and detected in the receive direction by IDT82V2051E. The PRBS is $2^{15}-1$, with maximum zero restrictions according to ITU-T O.151.

When the PATT[1:0] bits (**MAINT0, 0DH**) are set to '10', the PRBS pattern will be inserted into the transmit data stream with the MSB first. The PRBS pattern will be transmitted directly or invertedly.

In hardware control mode, the PRBS data will be generated in the transmit direction and inserted into the transmit data stream by setting PATT[1:0] pins to '10'. Refer to [5 Hardware Control Pin Summary](#) for details.

The PRBS in the received data stream will be monitored. If the PRBS has reached synchronization status, the PRBS_S bit (**STAT0, 17H**) will be set to '1', even in the presence of a logic error rate less than or equal to 10^{-1} . The criteria for setting/clearing the PRBS_S bit are shown in [Table-10](#).

Table-10 Criteria for Setting/Clearing the PRBS_S Bit

| | |
|-----------------------|-------------------------------------------------------------------|
| PRBS Detection | 6 or less than 6 bit errors detected in a 64 bits hopping window. |
| PRBS Missing | More than 6 bit errors detected in a 64 bits hopping window. |

PRBS data can be inverted through setting the PRBS_INV bit (**MAINT0, 0DH**).

Any change of PRBS_S bit will be captured by PRBS_IS bit (**INTS0, 19H**). The PRBS_IES bit (**INTES, 16H**) can be used to determine whether the '0' to '1' change of PRBS_S bit will be captured by the PRBS_IS bit or any changes of PRBS_S bit will be captured by the PRBS_IS bit. When the PRBS_IS bit is '1', an interrupt will be generated if the PRBS_IM bit (**INTM0, 14H**) is set to '1'.

The received PRBS logic errors can be counted in a 16-bit counter if the ERR_SEL [1:0] bits (**MAINT6, 13H**) are set to '00'. Refer to [3.8 Error Detection/Counting And Insertion](#) for the operation of the error counter.

3.7 LOOPBACK

To facilitate testing and diagnosis, the IDT82V2051E provides three different loopback configurations: Analog Loopback, Digital Loopback and Remote Loopback.

3.7.1 ANALOG LOOPBACK

When the ALP bit (**MAINT1, 0EH**) is set to '1', the chip is configured in Analog Loopback mode. In this mode, the transmit signals are looped back to the Receiver Internal Termination in the receive path then output from RCLK, RD, RDP/RDN. At the same time, the transmit signals are still output to TTIP/TRING in transmit direction. The all-ones pattern can be generated during analog loopback. [Figure-11](#) shows the process.

3.7.2 DIGITAL LOOPBACK

When the DLP bit (**MAINT1, 0EH**) is set to '1', the chip is configured in Digital Loopback mode. In this mode, the transmit signals are looped back to the jitter attenuator (if enabled) and decoder in receive path, then output from RCLK, RD, RDP/RDN. At the same time, the transmit signals are still output to TTIP/TRING in transmit direction. [Figure-12](#) shows the process.

Both Analog Loopback mode and Digital Loopback mode allow the sending of the internal patterns (All Ones, All Zeros, PRBS, etc.) which will overwrite the transmit signals. In this case, either TCLK or MCLK can be used as the reference clock for internal patterns transmission.

In hardware control mode, Digital Loopback can be selected by setting LP[1:0] pins to '10'.

3.7.3 REMOTE LOOPBACK

When the RLP bit (**MAINT1, 0EH**) is set to '1', the chip is configured in Remote Loopback mode. In this mode, the recovered clock and data output from Clock and Data Recovery on the receive path is looped back to the jitter attenuator (if enabled) and Waveform Shaper in transmit path. [Figure-13](#) shows the process.

In hardware control mode, Remote Loopback can be selected by setting LP[1:0] pins to '11'.

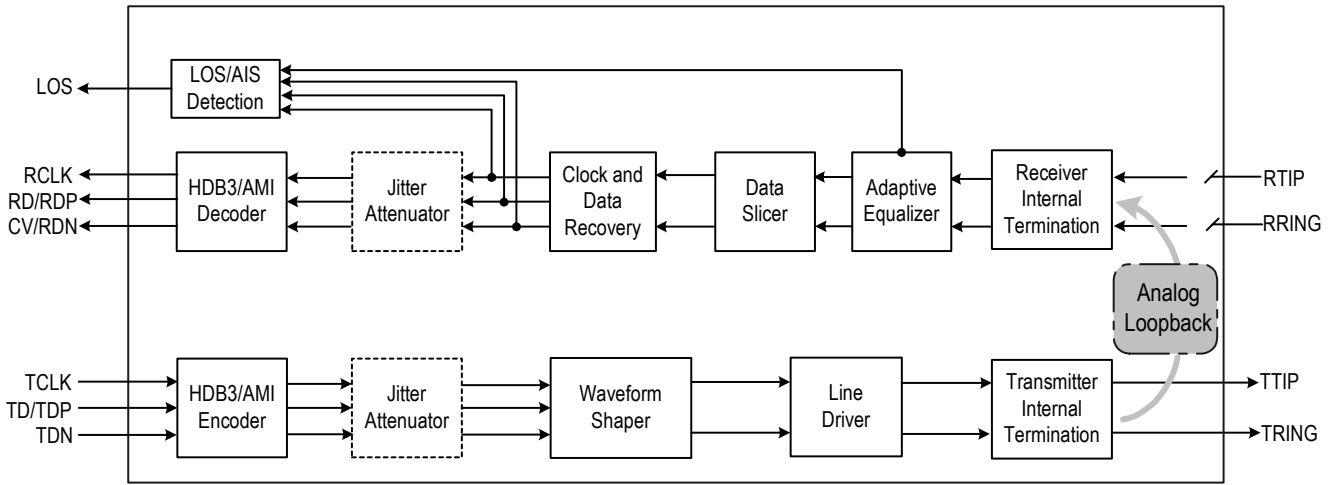


Figure-11 Analog Loopback

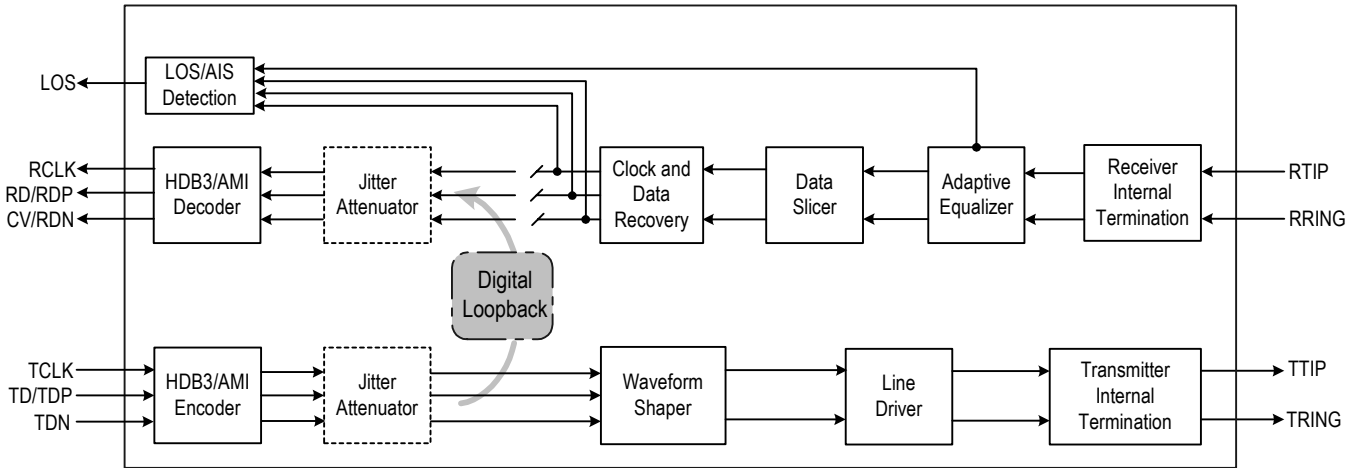


Figure-12 Digital Loopback

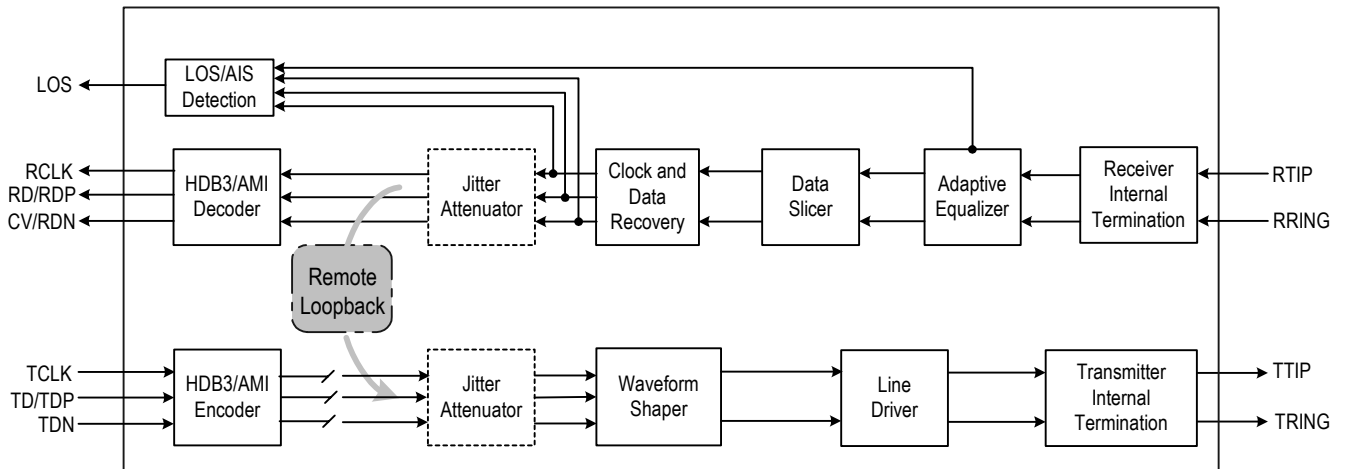


Figure-13 Remote Loopback

3.8 ERROR DETECTION/COUNTING AND INSERTION

3.8.1 DEFINITION OF LINE CODING ERROR

The following line encoding errors can be detected and counted by the IDT82V2051E:

- Received Bipolar Violation (BPV) Error: In AMI coding, when two consecutive pulses of the same polarity are received, a BPV error is declared.

- HDB3 Code Violation (CV) Error: In HDB3 coding, a CV error is declared when two consecutive BPV errors are detected, and the pulses that have the same polarity as the previous pulse are not the HDB3 zero substitution pulses.
- Excess Zero (EXZ) Error: There are two standards defining the EXZ errors: ANSI and FCC. The EXZ_DEF bit (**MAINT6, 13H**) chooses which standard will be adopted by the chip to judge the EXZ error. **Table-11** shows definition of EXZ. In hardware control mode, only ANSI standard is adopted.

Table-11 EXZ Definition

| | EXZ Definition | |
|------|------------------------------------------|------------------------------------------|
| | ANSI | FCC |
| AMI | More than 15 consecutive 0s are detected | More than 80 consecutive 0s are detected |
| HDB3 | More than 3 consecutive 0s are detected | More than 3 consecutive 0s are detected |

3.8.2 ERROR DETECTION AND COUNTING

Which type of the receiving errors (Received CV/BPV errors, excess zero errors and PRBS logic errors) will be counted is determined by ERR_SEL[1:0] bits (**MAINT6, 13H**). Only one type of receiving error can be counted at a time except that when the ERR_SEL[1:0] bits are set to '11', both CV/BPV and EXZ errors will be detected and counted.

The selected type of receiving errors is counted in an internal 16-bit Error Counter. Once an error is detected, an error interrupt which is indicated by corresponding bit in (**INTS1, 1AH**) will be generated if it is not masked. This Error Counter can be operated in two modes: Auto Report Mode and Manual Report Mode, as selected by the CNT_MD bit (**MAINT6, 13H**). In Single Rail mode, once BPV or CV errors are detected, the CV pin will be driven to high for one RCLK period.

• Auto Report Mode

In Auto Report Mode, the internal counter starts to count the received errors when the CNT_MD bit (**MAINT6, 13H**) is set to '1'. A one-second timer is used to set the counting period. The received errors are counted within one second. If the one-second timer expires, the value in the internal counter will be transferred to (**CNT0, 1BH**) and (**CNT1, 1CH**), then the internal counter will be reset and start to count received errors for the next second. The errors occurred during the transfer will be accumulated to the next round. The expiration of the one-second timer will set TMOV_IS bit (**INTS1, 1AH**) to '1', and will generate an interrupt if the TIMER_IM bit (**INTM1, 15H**) is set to '0'. The TMOV_IS bit (**INTS1, 1AH**) will be cleared after the interrupt register is read. The content in the (**CNT0, 1BH**) and (**CNT1, 1CH**) should be read within the next second. If the counter overflows, a counter overflow interrupt which is indicated by CNT_OV_IS bit (**INTS1, 1AH**) will be generated if it is not masked by CNT_IM bit (**INTM1, 15H**).

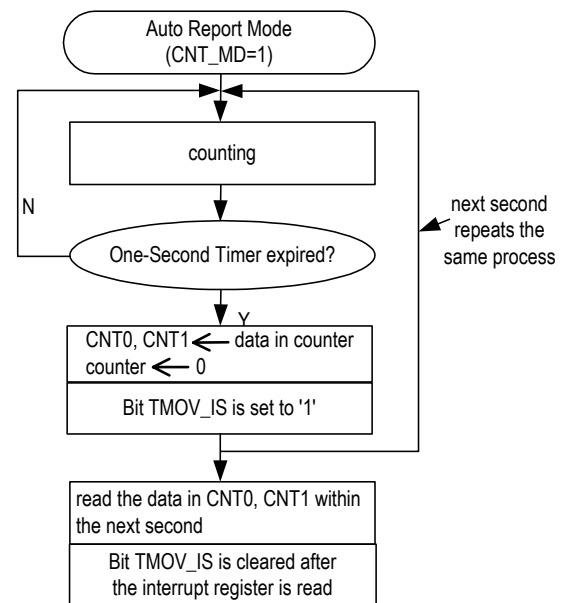


Figure-14 Auto Report Mode

• Manual Report Mode

In Manual Report Mode, the internal Error Counter starts to count the received errors when the CNT_MD bit (**MAINT6, 13H**) is set to '0'. When there is a '0' to '1' transition on the CNT_TRF bit (**MAINT6, 13H**), the data in the counter will be transferred to (**CNT0, 1BH**) and (**CNT1, 1CH**), then the counter will be reset. The errors occurred during the transfer will be accumulated to the next round. If the counter overflows, a counter overflow interrupt indicated by CNT_OV_IS bit (**INTS1, 1AH**) will be generated if it is not masked by CNT_IM bit (**INTM1, 15H**).

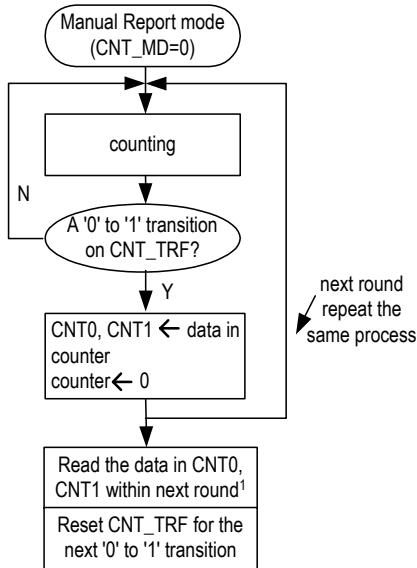


Figure-15 Manual Report Mode

Note: It is recommended that users should do the followings within next round of error counting: Read the data in CNT0 and CNT1; Reset CNT_TRF bit for the next '0' to '1' transition on this bit.

3.8.3 BIPOLAR VIOLATION AND PRBS ERROR INSERTION

Only when three consecutive '1's are detected in the transmit data stream, will a '0' to '1' transition on the BPV_INS bit (**MAINT6, 13H**) generate a bipolar violation pulse, and the polarity of the second '1' in the series will be inverted.

A '0' to '1' transition on the EER_INS bit (**MAINT6, 13H**) will generate a logic error during the PRBS transmission.

3.9 LINE DRIVER FAILURE MONITORING

The transmit driver failure monitor can be enabled or disabled by setting DFM_OFF bit (**TCF1, 06H**). If the transmit driver failure monitor is enabled, the transmit driver failure will be captured by DF_S bit (**STAT0, 17H**). The transition of the DF_S bit is reflected by DF_IS bit (**INTS0, 19H**), and, if enabled by DF_IM bit (**INTM0, 14H**), will generate an interrupt. When there is a short circuit on the TTIP/TRING port, the output current will be limited to 100 mA (typical), and an interrupt will be generated.

In hardware control mode, the transmit driver failure monitor is always enabled.

3.10 MCLK AND TCLK

3.10.1 MASTER CLOCK (MCLK)

MCLK is an independent, free-running reference clock. MCLK is 2.048 MHz. This reference clock is used to generate several internal reference signals:

- Timing reference for the integrated clock recovery unit.
- Timing reference for the integrated digital jitter attenuator.
- Timing reference for microcontroller interface.
- Generation of RCLK signal during a loss of signal condition if AIS is enabled.
- Reference clock during Transmit All Ones, All Zeros and PRBS pattern if it is selected as the reference clock. For ATAO and AIS, MCLK is always used as the reference clock.
- Reference clock during Transmit All Ones (TAO) condition or sending PRBS in hardware control mode.

Figure-16 shows the chip operation status in different conditions of MCLK and TCLK. The missing of MCLK will set the TTIP/TRING to high impedance state.

3.10.2 TRANSMIT CLOCK (TCLK)

TCLK is used to sample the transmit data on TD/TDP and TDN. The active edge of TCLK can be selected by the TCLK_SEL bit (**TCF0, 05H**). During Transmit All Ones or PRBS patterns, either TCLK or MCLK can be used as the reference clock. This is selected by the PATT_CLK bit (**MAINT0, 0DH**).

But for Automatic Transmit All Ones and AIS, only MCLK is used as the reference clock and the PATT_CLK bit is ignored. In Automatic Transmit All Ones condition, the ATAO bit (**MAINT0, 0DH**) is set to '1'. In AIS condition, the AISE bit (**MAINT0, 0DH**) is set to '1'.

If TCLK has been missing for more than 70 MCLK cycles, TCLK_LOS bit (**STAT0, 17H**) will be set, and the TTIP/TRING will become high impedance if the chip is not used for remote loopback or is not using MCLK to transmit internal patterns (TAOS, All Zeros and PRBS). When TCLK is detected again, TCLK_LOS bit (**STAT0, 17H**) will be cleared. The reference frequency to detect a TCLK loss is derived from MCLK.

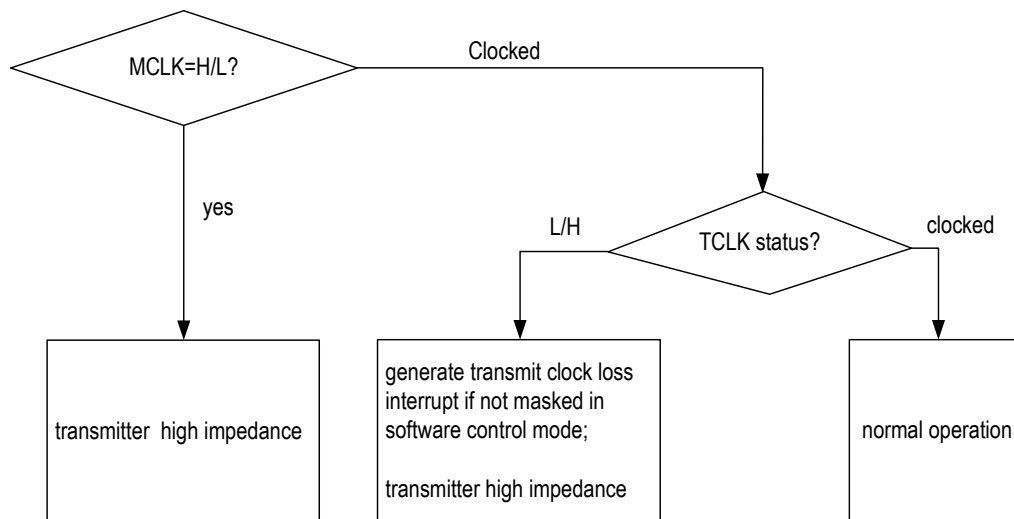


Figure-16 TCLK Operation Flowchart

3.11 MICROCONTROLLER INTERFACES

The microcontroller interface provides access to read and write the registers in the device. The chip supports serial microcontroller interface and two kinds of parallel microcontroller interface: Motorola multiplexed mode and Intel multiplexed mode. Different microcontroller interfaces can be selected by setting MODE[1:0] pins to different values. Refer to [MODE1](#) and [MODE0](#) in pin description and [Microcontroller Interface Timing Characteristics](#) for details.

3.11.1 PARALLEL MICROCONTROLLER INTERFACE

The interface is compatible with Motorola or Intel microcontroller. When MODE[1:0] pins are set to '10', Parallel-Multiplexed-Motorola interface is selected. When MODE[1:0] pins are set to '11', Parallel-Multiplexed-Intel Interface is selected.

3.11.2 SERIAL MICROCONTROLLER INTERFACE

When MODE[1:0] pins are set to '01', Serial Interface is selected. In this mode, the registers are programmed through a 16-bit word which contains an 8-bit address/command byte (5 address bits A0~A4 and bit R/W) and an 8-bit data byte (D0~D7). When bit R/W is '1', data is read out from pin SDO. When bit R/W is '0', data is written into SDI pin. Refer to [Figure-17](#).

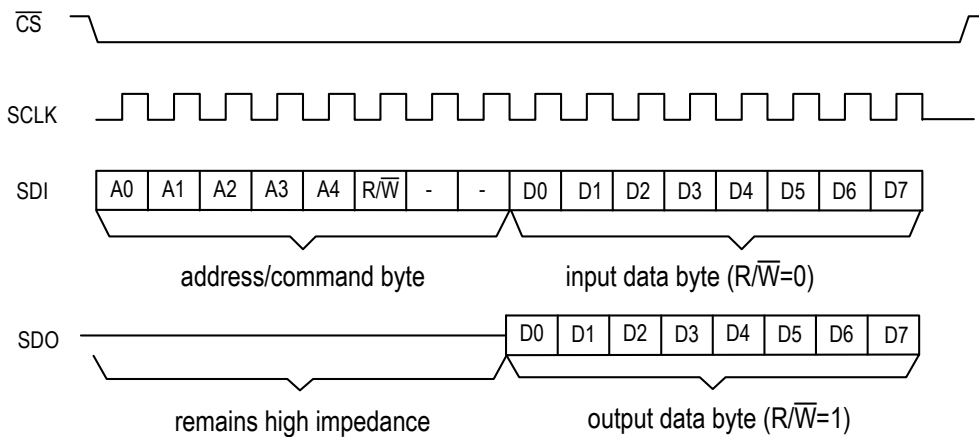


Figure-17 Serial Microcontroller Interface Function Timing

3.12 INTERRUPT HANDLING

All kinds of interrupt of the IDT82V2051E are indicated by the \overline{INT} pin. When the INT_PIN[0] bit ([GCF, 02H](#)) is '0', the \overline{INT} pin is open drain active low, with a 10 K Ω external pull-up resistor. When the INT_PIN[1:0] bits ([GCF, 02H](#)) are '01', the \overline{INT} pin is push-pull active low; when the INT_PIN[1:0] bits are '10', the \overline{INT} pin is push-pull active high.

An active level on the \overline{INT} pin represents an interrupt of the IDT82V2051E.

The interrupt event is captured by the corresponding bit in the Interrupt Status Register ([INTS0, 19H](#)) or ([INTS1, 1AH](#)). Every kind of interrupt can be enabled/disabled individually by the corresponding bit in the register ([INTM0, 14H](#)) or ([INTM1, 15H](#)). Some event is reflected by the corresponding bit in the Status Register ([STAT0, 17H](#)) or ([STAT1, 18H](#)), and the Interrupt Trigger Edge Selection Register can be used to determine how the Status Register sets the Interrupt Status Register.

After the Interrupt Status Register ([INTS0, 19H](#)) or ([INTS1, 1AH](#)) is read, the \overline{INT} pin become inactive.

There are totally twelve kinds of events that could be the interrupt source:

- (1).LOS Detected
- (2).AIS Detected
- (3).Driver Failure Detected
- (4).TCLK Loss
- (5).Synchronization Status of PRBS
- (6).PRBS Error Detected
- (7).Code Violation Received
- (8).Excessive Zeros Received
- (9).JA FIFO Overflow/Underflow
- (10).One-Second Timer Expired
- (11).Error Counter Overflow
- (12).Arbitrary Waveform Generator Overflow

[Table-12](#) is a summary of all kinds of interrupt and the associated Status bit, Interrupt Status bit, Interrupt Trigger Edge Selection bit and Interrupt Mask bit.

Table-12 Interrupt Event

| Interrupt Event | Status bit (STAT0, STAT1) | Interrupt Status bit (INTS0, INTS1) | Interrupt Edge Selection bit (INTES) | Interrupt Mask bit (INTM0, INTM1) |
|---------------------------------------|---------------------------|-------------------------------------|--------------------------------------|-----------------------------------|
| LOS Detected | LOS_S | LOS_IS | LOS_IES | LOS_IM |
| AIS Detected | AIS_S | AIS_IS | AIS_IES | AIS_IM |
| Driver Failure Detected | DF_S | DF_IS | DF_IES | DF_IM |
| TCLK Loss | TCLK_LOS | TCLK_LOS_IS | TCLK_IES | TCLK_IM |
| Synchronization Status of PRBS | PRBS_S | PRBS_IS | PRBS_IES | PRBS_IM |
| PRBS Error | | ERR_IS | | ERR_IM |
| Code Violation Received | | CV_IS | | CV_IM |
| Excessive Zeros Received | | EXZ_IS | | EXZ_IM |
| JA FIFO Overflow | | JAOV_IS | | JAOV_IM |
| JA FIFO Underflow | | JAUD_IS | | JAUD_IM |
| One-Second Timer Expired | | TMOV_IS | | TIMER_IM |
| Error Counter Overflow | | CNT_OV_IS | | CNT_IM |
| Arbitrary Waveform Generator Overflow | | DAC_OV_IS | | DAC_OV_IM |

3.13 5V TOLERANT I/O PINS

All digital input pins will tolerate $5.0 \pm 10\%$ volts and are compatible with TTL logic.

3.14 RESET OPERATION

The chip can be reset in two ways:

- Software Reset: Writing to the **RST** register (01H) will reset the chip in 1 us.

- Hardware Reset: Asserting the $\overline{\text{RST}}$ pin low for a minimum of 100 ns will reset the chip. During Hardware Reset, the device requires an active clock on MCLK.

After reset, all drivers output are in high impedance state, all the internal flip-flops are reset, and all the registers are initialized to default values.

3.15 POWER SUPPLY

This chip uses a single 3.3 V power supply.

4 PROGRAMMING INFORMATION

4.1 REGISTER LIST AND MAP

The registers banks include control registers, status registers and counter registers.

4.2 RESERVED REGISTERS

When writing to registers with reserved bit locations, the default state must be written to the reserved bits to ensure proper device operation.

Table-13 Register List and Map

| Address (hex) | Register | R/W | Map | | | | | | | |
|----------------------------------------------|-------------------|-----|-----------|---------|----------|----------|-------------|----------|----------|-----------|
| | | | b7 | b6 | b5 | b4 | b3 | b2 | b1 | b0 |
| <i>Control Registers</i> | | | | | | | | | | |
| 00 | ID | R | ID7 | ID6 | ID5 | ID4 | ID3 | ID2 | ID1 | ID0 |
| 01 | RST | W | | | | | | | | |
| 02 | GCF | R/W | - | - | - | - | - | - | INT_PIN1 | INT_PIN0 |
| 03 | TERM | R/W | - | - | T_TERM2 | T_TERM1 | T_TERM0 | R_TERM2 | R_TERM1 | R_TERM0 |
| 04 | JACF | R/W | - | - | JA_LIMIT | JACF1 | JACF0 | JADP1 | JADP0 | JABW |
| <i>Transmit Path Control Registers</i> | | | | | | | | | | |
| 05 | TCF0 | R/W | - | - | - | T_OFF | TD_INV | TCLK_SEL | T_MD1 | T_MD0 |
| 06 | TCF1 | R/W | - | - | DFM_OFF | THZ | PULS3 | PULS2 | PULS1 | PULS0 |
| 07 | TCF2 | R/W | - | - | SCAL5 | SCAL4 | SCAL3 | SCAL2 | SCAL1 | SCAL0 |
| 08 | TCF3 | R/W | DONE | RW | UI1 | UI0 | SAMP3 | SAMP2 | SAMP1 | SAMP0 |
| 09 | TCF4 | R/W | - | WDAT6 | WDAT5 | WDAT4 | WDAT3 | WDAT2 | WDAT1 | WDAT0 |
| <i>Receive Path Control Registers</i> | | | | | | | | | | |
| 0A | RCF0 | R/W | - | - | - | R_OFF | RD_INV | RCLK_SEL | R_MD1 | R_MD0 |
| 0B | RCF1 | R/W | - | EQ_ON | - | LOS4 | LOS3 | LOS2 | LOS1 | LOS0 |
| 0C | RCF2 | R/W | - | - | SLICE1 | SLICE0 | - | - | MG1 | MG0 |
| <i>Network Diagnostics Control Registers</i> | | | | | | | | | | |
| 0D | MAINT0 | R/W | - | PATT1 | PATT0 | PATT_CLK | PRBS_INV | LAC | AISE | ATAO |
| 0E | MAINT1 | R/W | - | - | - | - | - | RLP | ALP | DLP |
| 1F-12 | MAINT2- MAINT5 | R/W | - | - | - | - | - | - | - | - |
| 13 | MAINT6 | R/W | - | BPV_INS | ERR_INS | EXZ_DEF | ERR_SEL1 | ERR_SELO | CNT_MD | CNT_TRF |
| <i>Interrupt Control Registers</i> | | | | | | | | | | |
| 14 | INTM0 | R/W | - | - | - | PRBS_IM | TCLK_IM | DF_IM | AIS_IM | LOS_IM |
| 15 | INTM1 | R/W | DAC_OV_IM | JAOV_IM | JAUD_IM | ERR_IM | EXZ_IM | CV_IM | TIMER_IM | CNT_IM |
| 16 | INTES | R/W | - | - | - | PRBS_IES | TCLK_IES | DF_IES | AIS_IES | LOS_IES |
| <i>Line Status Register</i> | | | | | | | | | | |
| 17 | STAT0 | R | - | - | - | PRBS_S | TCLK_LOS | DF_S | AIS_S | LOS_S |
| 18 | STAT1 | R | - | - | RLP_S | - | - | - | - | - |
| <i>Interrupt Status Register</i> | | | | | | | | | | |
| 19 | INTS0 | R | - | - | - | PRBS_IS | TCLK_LOS_IS | DF_IS | AIS_IS | LOS_IS |
| 1A | INTS1 | R | DAC_OV_IS | JAOV_IS | JAUD_IS | ERR_IS | EXZ_IS | CV_IS | TMOV_IS | CNT_OV_IS |
| <i>Counter Registers</i> | | | | | | | | | | |
| 1B | CNT0 | R | Bit7 | Bit6 | Bit5 | Bit4 | Bit3 | Bit2 | Bit1 | Bit0 |
| 1C | CNT1 | R | Bit15 | Bit14 | Bit13 | Bit12 | Bit11 | Bit10 | Bit9 | Bit8 |

4.3 REGISTER DESCRIPTION

4.3.1 CONTROL REGISTERS

Table-14 ID: Device Revision Register
(R, Address = 00H)

| Symbol | Bit | Default | Description |
|---------|-----|---------|--------------------------|
| ID[7:0] | 7-0 | 00H | Current silicon chip ID. |

Table-15 RST: Reset Register
(W, Address = 01H)

| Symbol | Bit | Default | Description |
|----------|-----|---------|----------------------------------------------------------------------------------------------------------------------------------------------------------------------------------------------------------------------------------------------------------------------------------------|
| RST[7:0] | 7-0 | 00H | Software reset. A write operation on this register will reset all internal registers to their default values, and the status of all ports are set to the default status. The content in this register can not be changed. After reset, all drivers output are in high impedance state. |

Table-16 GCF: Global Configuration Register
(R/W, Address = 02H)

| Symbol | Bit | Default | Description |
|--------------|-----|---------|----------------------------------------------------------------------------------------------------------------------------------------------------------|
| - | 7-2 | 000000 | Reserved. |
| INT_PIN[1:0] | 1-0 | 00 | Interrupt pin control = x0: Open drain, active low (with an external pull-up resistor) = 01: Push-pull, active low = 11: Push-pull, active high |

Table-17 TERM: Transmit and Receive Termination Configuration Register
(R/W, Address = 03H)

| Symbol | Bit | Default | Description |
|-------------|-----|---------|-------------------------------------------------------------------------------------------------------------------------------------------------------------------------------------------------------------------------------------------------------------------------------|
| - | 7-6 | 00 | Reserved. |
| T_TERM[2:0] | 5-3 | 000 | These bits select the internal termination for transmit line impedance matching. = 000: Internal 75 Ω impedance matching = 001: Internal 120 Ω impedance matching = 1xx: Selects external impedance matching resistors (see Table-4). |
| R_TERM[2:0] | 2-0 | 000 | These bits select the internal termination for receive line impedance matching. = 000: Internal 75 Ω impedance matching = 001: Internal 120 Ω impedance matching = 1xx: Selects external impedance matching resistors (see Table-5). |

Table-18 JACF: Jitter Attenuation Configuration Register
(R/W, Address = 04H)

| Symbol | Bit | Default | Description |
|-----------|-----|---------|-------------------------------------------------------------------------------------------------------------------|
| - | 7-6 | 00 | Reserved. |
| JA_LIMIT | 5 | 1 | = 0: Normal mode = 1: JA limit mode |
| JACF[1:0] | 4-3 | 00 | Jitter attenuation configuration = 00/10: JA not used = 01: JA in transmit path = 11: JA in receive path |
| JADP[1:0] | 2-1 | 00 | Jitter attenuation depth select = 00: 128 bits = 01: 64 bits = 1x: 32 bits |
| JABW | 0 | 0 | Jitter transfer function bandwidth select = 0: 6.8 Hz = 1: 0.9 Hz |

4.3.2 TRANSMIT PATH CONTROL REGISTERS

Table-19 TCF0: Transmitter Configuration Register 0
(R/W, Address = 05H)

| Symbol | Bit | Default | Description |
|-----------|-----|---------|-----------------------------------------------------------------------------------------------------------------------------------------------------------------------------------------------------------------------------------------------------------------------------------------------------------------------------------------------------------------------------------|
| - | 7-5 | 000 | Reserved. |
| T_OFF | 4 | 0 | Transmitter power down enable = 0: Transmitter power up = 1: Transmitter power down (line driver high impedance) |
| TD_INV | 3 | 0 | Transmit data invert = 0: Data on TD or TDP/TDN is active high = 1: Data on TD or TDP/TDN is active low |
| TCLK_SEL | 2 | 0 | Transmit clock edge select = 0: Data on TDP/TDN is sampled on the falling edge of TCLK = 1: Data on TDP/TDN is sampled on the rising edge of TCLK |
| T_MD[1:0] | 0-1 | 00 | Transmitter operation mode control T_MD[1:0] select different stages of the transmit data path = 00: Enable HDB3 encoder and waveform shaper blocks. Input on pin TD is single rail NRZ data = 01: Enable AMI encoder and waveform shaper blocks. Input on pin TD is single rail NRZ data = 1x: Encoder is bypassed, dual rail NRZ transmit data input on pin TDP/TDN |

Table-20 TCF1: Transmitter Configuration Register 1
(R/W, Address = 06H)

| Symbol | Bit | Default | Description | | | |
|-----------|------|------------------------------------|--------------------------------------------------------------------------------------------------------------------------------------------------------------|-----------|-----------------|----------------------|
| - | 7-6 | 00 | Reserved. This bit should be '0' for normal operation. | | | |
| DFM_OFF | 5 | 0 | Transmit driver failure monitor disable = 0: DFM is enabled = 1: DFM is disabled | | | |
| THZ | 4 | 1 | Transmit line driver high impedance enable = 0: Normal state = 1: Transmit line driver high impedance enable (other transmit path still work normally) | | | |
| PULS[3:0] | 3-0 | 0000 | These bits select the transmit template: | | | |
| | | | | TCLK | Cable impedance | Allowable Cable loss |
| | | | 0000 ¹ | 2.048 MHz | 75 Ω | 0-24 dB |
| | | | 0001 | 2.048 MHz | 120 Ω | 0-24 dB |
| | | | 0010 - 1011 | Reserved | | |
| | 11XX | User programmable waveform setting | | | | |

1. In internal impedance matching mode, for E1/75 Ω cable impedance, the PULS[3:0] bits (TCF1, 06H) should be set to '0000'. In external impedance matching mode, for E1/75 Ω cable impedance, the PULS[3:0] bits should be set to '0001'.

Table-21 TCF2: Transmitter Configuration Register 2
(R/W, Address = 07H)

| Symbol | Bit | Default | Description |
|-----------|-----|---------|----------------------------------------------------------------------------------------------------------------------------------------------------------------------------------------------------------------------------------------------------------------------------------------------------------------------------------------------------------------------------------------------------------------|
| - | 7-6 | 00 | Reserved. |
| SCAL[5:0] | 5-0 | 100001 | SCAL specifies a scaling factor to be applied to the amplitude of the user-programmable arbitrary pulses which is to be transmitted if needed. The default value of SCAL[5:0] is '100001'. Refer to 3.2.3.2 User-Programmable Arbitrary Waveform . = 100001: Default value for 75 Ω and 120 Ω. One step change of this value results in 3% scaling up/down against the pulse amplitude. |

Table-22 TCF3: Transmitter Configuration Register 3
(R/W, Address = 08H)

| Symbol | Bit | Default | Description |
|-----------|-----|---------|---------------------------------------------------------------------------------------------------------------------------------------------------------------------------------------------------------------------------------------------------------------------|
| DONE | 7 | 0 | After '1' is written to this bit, a read or write operation is implemented. |
| RW | 6 | 0 | This bit selects read or write operation = 0: Write to RAM = 1: Read from RAM |
| UI[1:0] | 5-4 | 00 | These bits specify the unit interval address. There are totally 4 unit intervals. = 00: UI address is 0 (The most left UI) = 01: UI address is 1 = 10: UI address is 2 = 11: UI address is 3 |
| SAMP[3:0] | 3-0 | 0000 | These bits specify the sample address. Each UI has totally 16 samples. = 0000: Sample address is 0 (The most left sample) = 0001: Sample address is 1 = 0010: Sample address is 2 = 1110: Sample address is 14 = 1111: Sample address is 15 |

Table-23 TCF4: Transmitter Configuration Register 4
(R/W, Address = 09H)

| Symbol | Bit | Default | Description |
|-----------|-----|---------|---------------------------------------------------------------------------------------------------------------------------------------------------------------------------------------------------------------------------------------------------------------|
| - | 7 | 0 | Reserved |
| WDAT[6:0] | 6-0 | 0000000 | In Indirect Write operation, the WDAT[6:0] will be loaded to the pulse template RAM, specifying the amplitude of the Sample. After an Indirect Read operation, the amplitude data of the Sample in the pulse template RAM will be output to the WDAT[6:0]. |

4.3.3 RECEIVE PATH CONTROL REGISTERS

Table-24 RCF0: Receiver Configuration Register 0
(R/W, Address = 0AH)

| Symbol | Bit | Default | Description |
|-----------|-----|---------|---------------------------------------------------------------------------------------------------------------------------------------------------------------------------------------------------------------------------------------------------------------------------------------------------------------------------------------------------------------------------------------------------------------------------------------------|
| - | 7-5 | 000 | Reserved |
| R_OFF | 4 | 0 | Receiver power down enable = 0: Receiver power up = 1: Receiver power down |
| RD_INV | 3 | 0 | Receive data invert = 0: Data on RD or RDP/RDN is active high = 1: Data on RD or RDP/RDN is active low |
| RCLK_SEL | 2 | 0 | Receive clock edge select (this bit is ignored in slicer mode) = 0: Data on RD or RDP/RDN is updated on the rising edge of RCLK = 1: Data on RD or RDP/RDN is updated on the falling edge of RCLK |
| R_MD[1:0] | 1-0 | 00 | Receive path decoding selection = 00: Receive data is HDB3 decoded and output on RD pin with single rail NRZ format = 01: Receive data is AMI decoded and output on RD pin with single rail NRZ format = 10: Decoder is bypassed, re-timed dual rail data with NRZ format output on RDP/RDN (dual rail mode with clock recovery) = 11: CDR and decoder are bypassed, slicer data with RZ format output on RDP/RDN (slicer mode) |

Table-25 RCF1: Receiver Configuration Register 1
(R/W, Address= 0BH)

| Symbol | Bit | Default | Description | | |
|----------|-----|---------|-----------------------------------------------------------------------------------|------------------------|----------|
| - | 7 | 0 | Reserved | | |
| EQ_ON | 6 | 0 | = 0: Receive equalizer off = 1: Receive equalizer on (LOS programming enabled) | | |
| - | 5 | 0 | Reserved. | | |
| LOS[4:0] | 4:0 | 10101 | LOS Clear Level (dB) | LOS Declare Level (dB) | |
| | | | 00000 | 0 | <-4 |
| | | | 00001 | >-2 | <-6 |
| | | | 00010 | >-4 | <-8 |
| | | | 00011 | >-6 | <-10 |
| | | | 00100 | >-8 | <-12 |
| | | | 00101 | >-10 | <-14 |
| | | | 00110 | >-12 | <-16 |
| | | | 00111 | >-14 | <-18 |
| | | | 01000 | >-16 | <-20 |
| | | | 01001 | >-18 | <-22 |
| | | | 01010 | >-20 | <-24 |
| | | | 01011 - 11111 | | Reserved |

Table-26 RCF2: Receiver Configuration Register 2
(R/W, Address = 0CH)

| Symbol | Bit | Default | Description |
|------------|-----|---------|------------------------------------------------------------------------------------------------------------------------------------------------------------------------------------------------------------------------------------------------------------------------------------------------------------------------------------------------------------------------------------------------------------------------------------------------------------------------------|
| - | 7-6 | 00 | Reserved. |
| SLICE[1:0] | 5-4 | 01 | Receive slicer threshold = 00: The receive slicer generates a mark if the voltage on RTIP/RRING exceeds 40% of the peak amplitude. = 01: The receive slicer generates a mark if the voltage on RTIP/RRING exceeds 50% of the peak amplitude. = 10: The receive slicer generates a mark if the voltage on RTIP/RRING exceeds 60% of the peak amplitude. = 11: The receive slicer generates a mark if the voltage on RTIP/RRING exceeds 70% of the peak amplitude. |
| - | 3-2 | 10 | Reserved |
| MG[1:0] | 1-0 | 00 | Monitor gain setting: these bits select the internal linear gain boost = 00: 0 dB = 01: 22 dB = 10: 26 dB = 11: 32 dB |

4.3.4 NETWORK DIAGNOSTICS CONTROL REGISTERS

Table-27 MAINT0: Maintenance Function Control Register 0
(R/W, Address = 0DH)

| Symbol | Bit | Default | Description |
|-----------|-----|---------|-----------------------------------------------------------------------------------------------------------------------------------------------------------------------------------------------------------------------------------------------------|
| - | 7 | 00 | Reserved. |
| PATT[1:0] | 6-5 | 00 | These bits select the internal pattern and insert it into transmit data stream. = 00: Normal operation (PATT_CLK = 0) / insert all zeros (PATT_CLK = 1) = 01: Insert All Ones = 10: Insert PRBS (E1: 2 ¹⁵ -1) = 11: Reserved |
| PATT_CLK | 4 | 0 | Selects reference clock for transmitting internal pattern = 0: Uses TCLK as the reference clock = 1: Uses MCLK as the reference clock |
| PRBS_INV | 3 | 0 | Inverts PRBS = 0: The PRBS data is not inverted = 1: The PRBS data is inverted before transmission and detection |
| LAC | 2 | 0 | LOS/AIS criterion is selected as below: = 0: G.775 = 1: ETSI 300233& I.431 |
| AISE | 1 | 0 | AIS enable during LOS = 0: AIS insertion on RDP/RDN/RCLK is disabled during LOS = 1: AIS insertion on RDP/RDN/RCLK is enabled during LOS |
| ATAO | 0 | 0 | Automatically Transmit All Ones (enabled only when PATT[1:0] = 00) = 0: Disabled = 1: Automatically Transmit All Ones pattern at TTIP/TRING during LOS |

Table-28 MAINT1: Maintenance Function Control Register 1
(R/W, Address= 0EH)

| Symbol | Bit | Default | Description |
|--------|-----|---------|------------------------------------------------------------------------------------------------------------------------------------|
| - | 7-3 | 00000 | Reserved |
| RLP | 2 | 0 | Remote loopback enable = 0: Disables remote loopback (normal transmit and receive operation) = 1: Enables remote loopback |
| ALP | 1 | 0 | Analog loopback enable = 0: Disables analog loopback (normal transmit and receive operation) = 1: Enables analog loopback |
| DLP | 0 | 0 | Digital loopback enable = 0: Disables digital loopback (normal transmit and receive operation) = 1: Enables digital loopback |

Table-29 MAINT6: Maintenance Function Control Register 6
(R/W, Address = 13H)

| Symbol | Bit | Default | Description |
|---------|-----|---------|-----------------------------------------------------------------------------------------------------------------------------------------------------------------------------------------------------------------------------------------|
| - | 7 | 0 | Reserved. |
| BPV_INS | 6 | 0 | BPV error insertion A '0' to '1' transition on this bit will cause a single bipolar violation error to be inserted into the transmit data stream. This bit must be cleared and set again for a subsequent error to be inserted. |
| ERR_INS | 5 | 0 | PRBS logic error insertion A '0' to '1' transition on this bit will cause a single PRBS logic error to be inserted into the transmit PRBS data stream. This bit must be cleared and set again for a subsequent error to be inserted. |

Table-29 MAINT6: Maintenance Function Control Register 6 (Continued)
(R/W, Address = 13H)

| Symbol | Bit | Default | Description |
|---------|-----|---------|------------------------------------------------------------------------------------------------------------------------------------------------------------------------------------------------------------------------------------------------------------------------------------------------------------------------------------------------|
| EXZ_DEF | 5 | 0 | EXZ definition select = 0: ANSI = 1: FCC |
| ERR_SEL | 3-2 | 00 | These bits choose which type of error will be counted = 00: The PRBS logic error is counted by a 16-bit error counter. = 01: The EXZ error is counted by a 16-bit error counter. = 10: The Received CV (BPV) error is counted by a 16-bit error counter. = 11: Both CV (BPV) and EXZ errors are counted by a 16-bit error counter. |
| CNT_MD | 1 | 0 | Counter operation mode select = 0: Manual Report mode = 1: Auto Report mode |
| CNT_TRF | 0 | 0 | = 0: Clear this bit for the next '0' to '1' transition on this bit. = 1: Error counting result is transferred to CNT0 and CNT1 and the error counter is reset. |

4.3.5 INTERRUPT CONTROL REGISTERS

Table-30 INTM0: Interrupt Mask Register 0
(R/W, Address = 14H)

| Symbol | Bit | Default | Description |
|---------|-----|---------|-------------------------------------------------------------------------------------------------------------------------------------------------------------|
| - | 7-5 | 111 | Reserved |
| PRBS_IM | 4 | 1 | PRBS synchronic signal detect interrupt mask = 0: PRBS synchronic signal detect interrupt enabled = 1: PRBS synchronic signal detect interrupt masked |
| TCLK_IM | 3 | 1 | TCLK loss detect interrupt mask = 0: TCLK loss detect interrupt enabled = 1: TCLK loss detect interrupt masked |
| DF_IM | 2 | 1 | Driver Failure interrupt mask = 0: Driver Failure interrupt enabled = 1: Driver Failure interrupt masked |
| AIS_IM | 1 | 1 | Alarm Indication Signal interrupt mask = 0: Alarm Indication Signal interrupt enabled = 1: Alarm Indication Signal interrupt masked |
| LOS_IM | 0 | 1 | Loss Of Signal interrupt mask = 0: Loss Of Signal interrupt enabled = 1: Loss Of Signal interrupt masked |

Table-31 INTM1: Interrupt Masked Register 1
(R/W, Address = 15H)

| Symbol | Bit | Default | Description |
|-----------|-----|---------|-------------------------------------------------------------------------------------------------------------------------------------------------------|
| DAC_OV_IM | 7 | 1 | DAC arithmetic overflow interrupt mask = 0: DAC arithmetic overflow interrupt enabled = 1: DAC arithmetic overflow interrupt masked |
| JAOV_IM | 6 | 1 | JA overflow interrupt mask = 0: JA overflow interrupt enabled = 1: JA overflow interrupt masked |
| JAUD_IM | 5 | 1 | JA underflow interrupt mask = 0: JA underflow interrupt enabled = 1: JA underflow interrupt masked |
| ERR_IM | 4 | 1 | PRBS logic error detect interrupt mask = 0: PRBS logic error detect interrupt enabled = 1: PRBS logic error detect interrupt masked |
| EXZ_IM | 3 | 1 | Receive excess zeros interrupt mask = 0: Receive excess zeros interrupt enabled = 1: Receive excess zeros interrupt masked |
| CV_IM | 2 | 1 | Receive error interrupt mask = 0: Receive error interrupt enabled = 1: Receive error interrupt masked |
| TIMER_IM | 1 | 1 | One-Second Timer expiration interrupt mask = 0: One-Second Timer expiration interrupt enabled = 1: One-Second Timer expiration interrupt masked |
| CNT_IM | 0 | 1 | Counter overflow interrupt mask = 0: Counter overflow interrupt enabled = 1: Counter overflow interrupt masked |

Table-32 INTES: Interrupt Trigger Edge Select Register
(R/W, Address = 16H)

| Symbol | Bit | Default | Description |
|----------|-----|---------|------------------------------------------------------------------------------------------------------------------------------------------------------------------------------------------------------------------------------------------------------------------------------------------------------------------------------|
| - | 7-5 | 000 | Reserved |
| PRBS_IES | 4 | 0 | This bit determines the PRBS synchronization status interrupt event. = 0: Interrupt event is generated as a '0' to '1' transition of the PRBS_S bit in STAT0 status register = 1: Interrupt event is generated as either a '0' to '1' transition or a '1' to '0' transition of the PRBS_S bit in STAT0 status register |
| TCLK_IES | 3 | 0 | This bit determines the TCLK Loss interrupt event. = 0: Interrupt event is generated as a '0' to '1' transition of the TCLK_LOS bit in STAT0 status register = 1: Interrupt event is generated as either a '0' to '1' transition or a '1' to '0' transition of the TCLK_LOS bit in STAT0 status register |
| DF_IES | 2 | 0 | This bit determines the Driver Failure interrupt event. = 0: Interrupt event is generated as a '0' to '1' transition of the DF_S bit in STAT0 status register = 1: Interrupt event is generated as either a '0' to '1' transition or a '1' to '0' transition of the DF_S bit in STAT0 status register |
| AIS_IES | 1 | 0 | This bit determines the AIS interrupt event. = 0: Interrupt event is generated as a '0' to '1' transition of the AIS_S bit in STAT0 status register = 1: Interrupt event is generated as either a '0' to '1' transition or a '1' to '0' transition of the AIS_S bit in STAT0 status register |
| LOS_IES | 0 | 0 | This bit determines the LOS interrupt event. = 0: Interrupt is generated as a '0' to '1' transition of the LOS_S bit in STAT0 status register = 1: Interrupt is generated as either a '0' to '1' transition or a '1' to '0' transition of the LOS_S bit in STAT0 status register |

4.3.6 LINE STATUS REGISTERS

Table-33 STAT0: Line Status Register 0 (real time status monitor)
(R, Address = 17H)

| Symbol | Bit | Default | Description |
|----------|-----|---------|----------------------------------------------------------------------------------------------------------------------------------------------------------------------------------------------------------------------------------------------------------------------------------------------------------------------------------------------------------------------------------------------|
| - | 7-5 | 000 | Reserved |
| PRBS_S | 4 | 0 | <p>Synchronous status indication of PRBS (real time)</p> <p>= 0: $2^{15}-1$ PRBS is not detected = 1: $2^{15}-1$ PRBS is detected</p> <p>Note: If PRBS_IM=0: A '0' to '1' transition on this bit causes a synchronous status detected interrupt if PRBS_IES bit is '0'. Any changes of this bit causes an interrupt if PRBS_IES bit is set to '1'.</p> |
| TCLK_LOS | 3 | 0 | <p>TCLK loss indication</p> <p>= 0: Normal = 1: TCLK pin has not toggled for more than 70 MCLK cycles.</p> <p>Note: If TCLK_IM=0: A '0' to '1' transition on this bit causes an interrupt if TCLK_IES bit is '0'. Any changes of this bit causes an interrupt if TCLK_IES bit is set to '1'.</p> |
| DF_S | 2 | 0 | <p>Line driver status indication</p> <p>= 0: Normal operation = 1: Line driver short circuit is detected.</p> <p>Note: If DF_IM=0 A '0' to '1' transition on this bit causes an interrupt if DF_IES bit is '0'. Any changes of this bit causes an interrupt if DF_IES bit is set to '1'.</p> |
| AIS_S | 1 | 0 | <p>Alarm Indication Signal status detection</p> <p>= 0: No AIS signal is detected in the receive path = 1: AIS signal is detected in the receive path</p> <p>Note: If AIS_IM=0 A '0' to '1' transition on this bit causes an interrupt if AIS_IES bit is '0'. Any changes of this bit causes an interrupt if AIS_IES bit is set to '1'.</p> |
| LOS_S | 0 | 0 | <p>Loss Of Signal status detection</p> <p>= 0: Loss of signal on RTIP/RRING is not detected. = 1: Loss of signal on RTIP/RRING is detected.</p> <p>Note: If LOS_IM=0 A '0' to '1' transition on this bit causes an interrupt if LOS_IES bit is '0'. Any changes of this bit causes an interrupt if LOS_IES bit is set to '1'.</p> |

Table-34 STAT1: Line Status Register 1 (real time status monitor)
(R, Address = 18H)

| Symbol | Bit | Default | Description |
|--------|-----|---------|-----------------------------------------------------------------------------------------------------------------------------------|
| - | 7-6 | 00 | Reserved. |
| RLP_S | 5 | 0 | Indicating the status of Remote Loopback = 0: The remote loopback is inactive. = 1: The remote loopback is active (closed). |
| - | 4-0 | 00000 | Reserved |

4.3.7 INTERRUPT STATUS REGISTERS

Table-35 INTS0: Interrupt Status Register 0

(R, Address = 19H) (this register is reset and relevant interrupt request is cleared after a read)

| Symbol | Bit | Default | Description |
|-------------|-----|---------|-------------------------------------------------------------------------------------------------------------------------------------------------------------------------------------------------------------------------------------|
| - | 7-5 | 000 | Reserved |
| PRBS_IS | 4 | 0 | This bit indicates the occurrence of the interrupt event generated by the PRBS synchronization status. = 0: No PRBS synchronization status interrupt event occurred = 1: PRBS synchronization status interrupt event occurred |
| TCLK_LOS_IS | 3 | 0 | This bit indicates the occurrence of the interrupt event generated by the TCLK loss detection. = 0: No TCLK loss interrupt event. = 1: TCLK loss interrupt event occurred. |
| DF_IS | 2 | 0 | This bit indicates the occurrence of the interrupt event generated by the Driver Failure. = 0: No Driver Failure interrupt event occurred = 1: Driver Failure interrupt event occurred |
| AIS_IS | 1 | 0 | This bit indicates the occurrence of the AIS (Alarm Indication Signal) interrupt event. = 0: No AIS interrupt event occurred = 1: AIS interrupt event occurred |
| LOS_IS | 0 | 0 | This bit indicates the occurrence of the LOS (Loss of signal) interrupt event. = 0: No LOS interrupt event occurred = 1: LOS interrupt event occurred |

Table-36 INTS1: Interrupt Status Register 1

(R, Address = 1AH) (this register is reset and the relevant interrupt request is cleared after a read)

| Symbol | Bit | Default | Description |
|-----------|-----|---------|---------------------------------------------------------------------------------------------------------------------------------------------------------------------------------------------------------------------------------------------------------------------------------------------------------------|
| DAC_OV_IS | 7 | 0 | This bit indicates the occurrence of the pulse amplitude overflow of Arbitrary Waveform Generator interrupt event. = 0: No pulse amplitude overflow of Arbitrary Waveform Generator interrupt event occurred = 1: The pulse amplitude overflow of Arbitrary Waveform Generator interrupt event occurred |
| JAOV_IS | 6 | 0 | This bit indicates the occurrence of the Jitter Attenuator Overflow interrupt event. = 0: No JA Overflow interrupt event occurred = 1: JA Overflow interrupt event occurred |
| JAUD_IS | 5 | 0 | This bit indicates the occurrence of the Jitter Attenuator Underflow interrupt event. = 0: No JA Underflow interrupt event occurred = 1: JA Underflow interrupt event occurred |
| ERR_IS | 4 | 0 | This bit indicates the occurrence of the interrupt event generated by the detected PRBS logic error. = 0: No PRBS logic error interrupt event occurred = 1: PRBS logic error interrupt event occurred |
| EXZ_IS | 3 | 0 | This bit indicates the occurrence of the Excessive Zeros interrupt event. = 0: No Excessive Zeros interrupt event occurred = 1: EXZ interrupt event occurred |
| CV_IS | 2 | 0 | This bit indicates the occurrence of the Code Violation interrupt event. = 0: No Code Violation interrupt event occurred = 1: Code Violation interrupt event occurred |
| TMOV_IS | 1 | 0 | This bit indicates the occurrence of the One-Second Timer Expiration interrupt event. = 0: No One-Second Timer Expiration interrupt event occurred = 1: One-Second Timer Expiration interrupt event occurred |
| CNT_OV_IS | 0 | 0 | This bit indicates the occurrence of the Counter Overflow interrupt event. = 0: No Counter Overflow interrupt event occurred = 1: Counter Overflow interrupt event occurred |

4.3.8 COUNTER REGISTERS

Table-37 CNT0: Error Counter L-byte Register 0
(R, Address = 1BH)

| Symbol | Bit | Default | Description |
|------------|-----|---------|-----------------------------------------------------------------------------------------------|
| CNT_L[7:0] | 7-0 | 00H | This register contains the lower eight bits of the 16-bit error counter. CNT_L[0] is the LSB. |

Table-38 CNT1: Error Counter H-byte Register 1
(R, Address = 1CH)

| Symbol | Bit | Default | Description |
|------------|-----|---------|-----------------------------------------------------------------------------------------------|
| CNT_H[7:0] | 7-0 | 00H | This register contains the upper eight bits of the 16-bit error counter. CNT_H[7] is the MSB. |

5 HARDWARE CONTROL PIN SUMMARY

Table-39 Hardware Control Pin Summary

| Pin No. TQFP | Symbol | Description | | | |
|-----------------|------------------|---------------------------------------------------------------------------------------------------------------------------------------------------------------------------------------------------------------------------------------------------------------------------------|-------------|------------------------------------------------------|-------------------|
| 17 16 | MODE1 MODE0 | MODE[1:0]: Operation mode of control interface select 00= Hardware interface 01= Serial interface 10= Parallel – multiplexed – Motorola Interface 11= Parallel – multiplexed – Intel Interface | | | |
| 23 | TERM | TERM: Termination interface select This pin selects internal or external impedance matching for both receiver and transmitter 0= ternary interface with external impedance matching network. 1= ternary interface with internal impedance matching network | | | |
| 21 20 | RXTXM1 RXTXM0 | RXTXM[1:0]: Receive and transmit path operation mode select 00= single rail with HDB3 coding 01= single rail with AMI coding 10= dual rail interface with CDR enable 11= slicer mode | | | |
| 30 | PULS | PULS: This pin is used to select the following functions: | | | |
| | | <ul style="list-style-type: none"> • Transmit pulse template • Internal termination impedance (75 Ω / 120Ω) | | | |
| | | PULS | TCLK | Cable impedance (internal matching impedance) | Cable loss |
| | | 0 | 2.048 MHz | 75Ω | 0-24 dB |
| 1 | 2.048 MHz | 120Ω | 0-24 dB | | |
| 28 | RPD | RPD: Receiver power down control 0= Normal operation 1= receiver power down | | | |
| 27 26 | PATT1 PATT0 | PATT[1:0]: Transmit test pattern select In hardware control mode, these pins select the transmit pattern 00 = normal 01= All Ones 10= PRBS 11= transmitter power down | | | |
| 15 14 | JA1 JA0 | JA[1:0]: Jitter attenuation position, bandwidth and the depth of FIFO select 00= JA is disabled 01= JA in receiver, broad bandwidth, FIFO=64 bits 10= JA in receiver, narrow bandwidth, FIFO=128 bits 11= JA in transmitter, narrow bandwidth, FIFO=128 bits | | | |
| 22 | MONT | MONT: Receive monitor n gain select 0= 0 dB 1= up to 26 dB | | | |
| 25 24 | LP1 LP0 | LP[1:0]: Loopback mode select 00= no loopback 01= analog loopback 10= digital loopback 11= remote loopback | | | |
| 13 | THZ | THZ: Transmitter Driver High Impedance Enable This signal enables or disables transmitter driver. A low level on this pin enables the driver while a high level on this pin places the driver in high impedance state. | | | |
| 11 | RCLKE | RCLKE: the active edge of RCLK select when hardware control mode is used 0= select the rising edge as active edge of RCLK 1= select the falling edge as active edge of RCLK | | | |

Table-39 Hardware Control Pin Summary (Continued)

| Pin No. TQFP | Symbol | Description |
|----------------------|--------|---------------------------------------------------|
| 29 31 32 33 | - | In Hardware mode, this pin has to be tied to GND. |

6 TEST SPECIFICATIONS

Table-40 Absolute Maximum Rating

| Symbol | Parameter | Min | Max | Unit |
|------------|----------------------------------------------------|-------------------|----------|------|
| VDDA, VDDD | Core Power Supply | -0.5 | 4.6 | V |
| VDDIO | I/O Power Supply | -0.5 | 4.6 | V |
| VDDT | Transmit Power Supply | -0.5 | 4.6 | V |
| Vin | Input Voltage, Any Digital Pin | GND-0.5 | 5.5 | V |
| | Input Voltage, Any RTIP and RRING pin ¹ | GND-0.5 | VDDA+0.5 | V |
| | ESD Voltage, any pin | 2000 ² | | V |
| | | 500 ³ | | V |
| Iin | Transient latch-up current, any pin | | 100 | mA |
| | Input current, any digital pin ⁴ | -10 | 10 | mA |
| | DC Input current, any analog pin ⁴ | | ±100 | mA |
| Pd | Maximum power dissipation in package | | 1.41 | W |
| Tc | Case Temperature | | 120 | °C |
| Ts | Storage Temperature | -65 | +150 | °C |

CAUTION:

Exceeding these values may cause permanent damage. Functional operation under these conditions is not implied. Exposure to absolute maximum rating conditions for extended periods may affect device reliability.

- 1.Reference to ground
- 2.Human body model
- 3.Charge device model
- 4.Constant input current

Table-41 Recommended Operation Conditions

| Symbol | Parameter | Min | Typ | Max | Unit | |
|--------------------------------------------|-------------------------------|------------------------|-----|------|------|----|
| VDDA, VDDD | Core Power Supply | 3.13 | 3.3 | 3.47 | V | |
| VDDIO | I/O Power Supply | 3.13 | 3.3 | 3.47 | V | |
| VDDT | Transmitter Power Supply | 3.13 | 3.3 | 3.47 | V | |
| TA | Ambient operating temperature | -40 | 25 | 85 | °C | |
| Total current dissipation ^{1,2,3} | 75 Ω load | 50% ones density data | - | 52 | 58 | mA |
| | | 100% ones density data | - | 64 | 70 | |
| | 120 Ω Load | 50% ones density data | - | 58 | 64 | mA |
| | | 100% ones density data | - | 70 | 76 | |

- 1.Power consumption includes power consumption on device and load. Digital levels are 10% of the supply rails and digital outputs driving a 50 pF capacitive load.
- 2.Maximum power consumption over the full operating temperature and power supply voltage range.
- 3.In short haul mode, if internal impedance matching is chosen, 75 Ω power dissipation values are measured with template PULS[3:0] = 0000; 120 Ω power dissipation values are measured with template PULS[3:0] = 0001.

Table-42 Power Consumption

| Symbol | Parameter | Min | Typ | Max ^{1,2} | Unit |
|--------|--------------------------|-----|-----|--------------------|------|
| | 3.3 V, 75 Ω Load | | | | |
| | 50% ones density data: | - | 172 | - | mW |
| | 100% ones density data: | - | 212 | 243 | |
| | 3.3 V, 120 Ω Load | | | | |
| | 50% ones density data: | - | 192 | - | mW |
| | 100% ones density data: | - | 243 | 264 | |

1. Maximum power and current consumption over the full operating temperature and power supply voltage range.

2. Power consumption includes power absorbed by line load and external transmitter components.

Table-43 DC Characteristics

| Symbol | Parameter | Min | Typ | Max | Unit |
|-----------------|-----------------------------------------------------------------|-----|-----|-------|---------|
| V _{IL} | Input Low Level Voltage | - | - | 0.8 | V |
| V _{IH} | Input High Voltage | 2.0 | - | - | V |
| V _{OL} | Output Low level Voltage (I _{out} =1.6mA) | - | - | 0.4 | V |
| V _{OH} | Output High level Voltage (I _{out} =400 μ A) | 2.4 | - | VDDIO | V |
| V _{MA} | Analog Input Quiescent Voltage (RTIP, RRING pin while floating) | | 1.5 | | V |
| I _{ZL} | High Impedance Leakage Current | -10 | | 10 | μ A |
| C _i | Input capacitance | | | 15 | pF |
| C _o | Output load capacitance | | | 50 | pF |
| C _o | Output load capacitance (bus pins) | | | 100 | pF |

Table-44 Receiver Electrical Characteristics

| Symbol | Parameter | Min | Typ | Max | Unit | Test conditions |
|--------|------------------------------|-----|-----|-----|-------|----------------------------------------------------------------------------------------------|
| | Receiver sensitivity | | | | | |
| | Adaptive Equalizer Disabled: | | | -10 | dB | |
| | Adaptive Equalizer Enabled: | | | -20 | | |
| | Analog LOS level | | | | | |
| | Adaptive Equalizer Disabled: | | 800 | | mVp-p | A LOS level is programmable with Adaptive Equalizer enabled. Not available in Hardware mode. |
| | Adaptive Equalizer Enabled: | -4 | | -24 | dB | |

Table-44 Receiver Electrical Characteristics (Continued)

| Symbol | Parameter | Min | Typ | Max | Unit | Test conditions |
|--------|-----------------------------------------------------------------------------------------|----------------|------------|-----------|----------------------|------------------------------------|
| | Allowable consecutive zeros before LOS G.775: I.431/ETSI300233: | | 32 2048 | | | |
| | LOS reset | 12.5 | | | % ones | G.775, ETSI 300 233 |
| | Receive Intrinsic Jitter 20 Hz - 100 kHz | | | 0.05 | U.I. | JA enabled |
| | Input Jitter Tolerance 1 Hz – 20 Hz 20 Hz – 2.4 KHz 18 KHz – 100 KHz | 37 5 2 | | | U.I. U.I. U.I. | G.823, with 6 dB cable attenuation |
| ZDM | Receiver Differential Input Impedance | 20 | | | K Ω | Internal mode |
| | Input termination resistor tolerance | | | $\pm 1\%$ | | |
| RRX | Receive Return Loss 51 KHz – 102 KHz 102 KHz – 2.048 MHz 2.048 MHz – 3.072 MHz | 20 20 20 | | | dB dB dB | G.703 Internal termination |
| RPD | Receive path delay Single rail Dual rail | | 7 2 | | U.I. U.I. | JA disabled |

Table-45 Transmitter Electrical Characteristics

| Symbol | Parameter | Min | Typ | Max | Unit |
|--------|-----------------------------------------------------------------------------------------------------|----------------|----------------|--------------|----------------|
| Vo-p | Output pulse amplitudes 75 Ω load 120 Ω load | 2.14 2.7 | 2.37 3.0 | 2.60 3.3 | V V |
| Vo-s | Zero (space) level 75 Ω load 120 Ω load | -0.237 -0.3 | | 0.237 0.3 | V V |
| | Transmit amplitude variation with supply | -1 | | +1 | % |
| | Difference between pulse sequences for 17 consecutive pulses (T1.102) | | | 200 | mV |
| Tpw | Output Pulse Width at 50% of nominal amplitude | 232 | 244 | 256 | ns |
| | Ratio of the amplitudes of Positive and Negative Pulses at the center of the pulse interval (G.703) | 0.95 | | 1.05 | |
| | Ratio of the width of Positive and Negative Pulses at the center of the pulse interval (G.703) | 0.95 | | 1.05 | |
| RTX | Transmit Return Loss (G.703) 51 KHz – 102 KHz 102 KHz - 2.048 MHz 2.048 MHz – 3.072 MHz | | 20 15 12 | | dB dB dB |
| JTXp-p | Intrinsic Transmit Jitter (TCLK is jitter free) 20 Hz – 100 KHz | | | 0.050 | U.I. |
| Td | Transmit path delay (JA is disabled) Single rail Dual rail | | 8.5 4.5 | | U.I. U.I. |
| Isc | Line short circuit current (measured on the TTIP/TRING pins) | | 100 | | mAp |

Table-46 Transmitter and Receiver Timing Characteristics

| Symbol | Parameter | Min | Typ | Max | Unit |
|---------------|-------------------------------------------------|------|-------|-----|------|
| | MCLK frequency | | 2.048 | | MHz |
| | MCLK tolerance | -100 | | 100 | ppm |
| | MCLK duty cycle | 30 | | 70 | % |
| Transmit path | | | | | |
| | TCLK frequency | | 2.048 | | MHz |
| | TCLK tolerance | -50 | | +50 | ppm |
| | TCLK Duty Cycle | 10 | | 90 | % |
| t1 | Transmit Data Setup Time | 40 | | | ns |
| t2 | Transmit Data Hold Time | 40 | | | ns |
| | Delay time of THZ low to driver high impedance | | | 10 | us |
| | Delay time of TCLK low to driver high impedance | | 75 | | U.I. |
| Receive path | | | | | |
| | Clock recovery capture range ¹ | | ± 80 | | ppm |
| | RCLK duty cycle ² | 40 | 50 | 60 | % |
| t4 | RCLK pulse width ² | 457 | 488 | 519 | ns |
| t5 | RCLK pulse width low time | 203 | 244 | 285 | ns |
| t6 | RCLK pulse width high time | 203 | 244 | 285 | ns |
| | Rise/fall time ³ | | | 20 | ns |
| t7 | Receive Data Setup Time | 200 | 244 | | ns |
| t8 | Receive Data Hold Time | 200 | 244 | | ns |

1. Relative to nominal frequency, MCLK = ± 100 ppm

2. RCLK duty cycle widths will vary depending on extent of received pulse jitter displacement. Maximum and minimum RCLK duty cycles are for worst case jitter conditions (0.2 UI displacement for E1 per ITU G.823).

3. For all digital outputs. C load = 15 pF

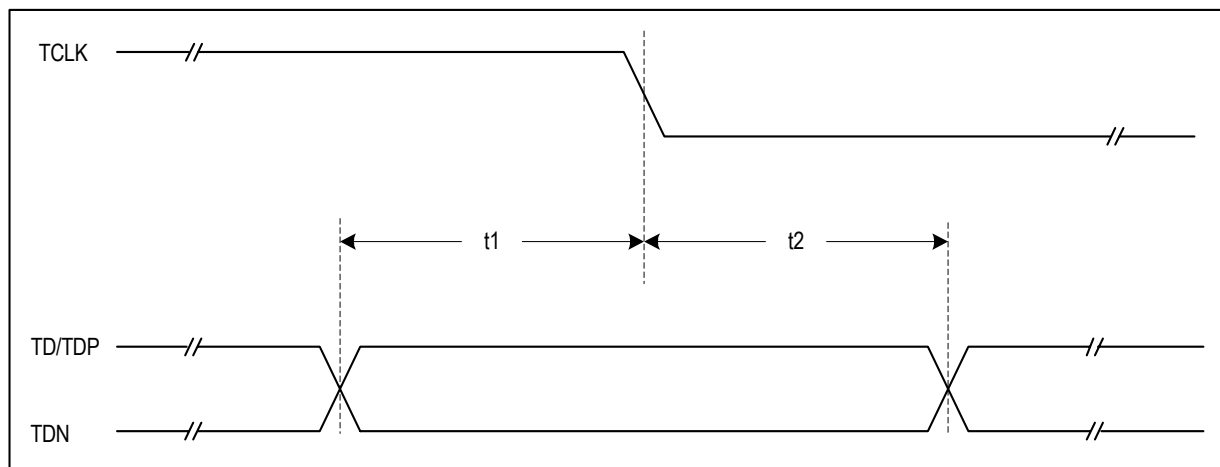


Figure-18 Transmit System Interface Timing

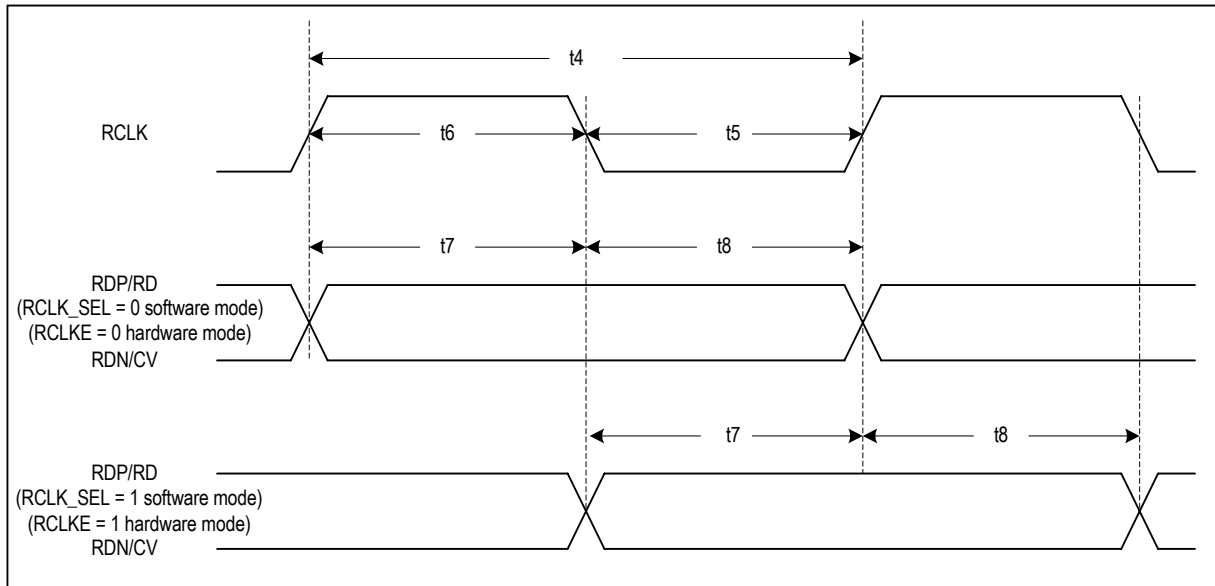


Figure-19 Receive System Interface Timing

Table-47 Jitter Tolerance

| Jitter Tolerance | Min | Typ | Max | Unit | Standard |
|------------------|-----|-----|-----|------|------------------------------------|
| 1 Hz | 37 | | | U.I. | G.823 Cable attenuation is 6 dB |
| 20 Hz – 2.4 KHz | 1.5 | | | U.I. | |
| 18 KHz – 100 KHz | 0.2 | | | U.I. | |

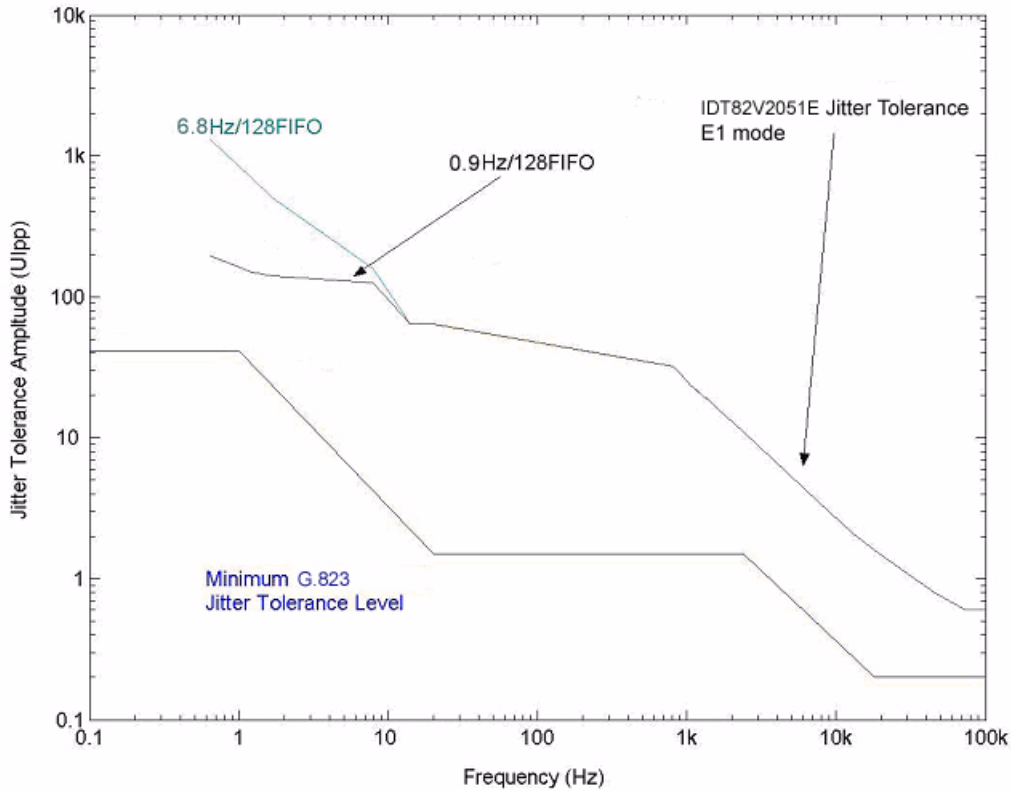


Figure-20 E1 Jitter Tolerance Performance

Table-48 Jitter Attenuator Characteristics

| Parameter | Min | Typ | Max | Unit |
|----------------------------------------------------------|-------|-----|-----|------|
| Jitter Transfer Function Corner (-3 dB) Frequency | | | | |
| | | | | |
| 32/64/128 bits FIFO | | 6.8 | | Hz |
| JABW = 0: | | 0.9 | | Hz |
| JABW = 1: | | | | |
| Jitter Attenuator | | | | |
| (G.736) | | | | |
| @ 3 Hz | -0.5 | | | dB |
| @ 40 Hz | -0.5 | | | |
| @ 400 Hz | +19.5 | | | |
| @ 100 kHz | +19.5 | | | |
| Jitter Attenuator Latency Delay | | | | |
| 32 bits FIFO: | | 16 | | U.I. |
| 64 bits FIFO: | | 32 | | U.I. |
| 128 bits FIFO: | | 64 | | U.I. |
| Input jitter tolerance before FIFO overflow or underflow | | | | |
| 32 bits FIFO: | | 28 | | U.I. |
| 64 bits FIFO: | | 58 | | U.I. |
| 128 bits FIFO: | | 120 | | U.I. |

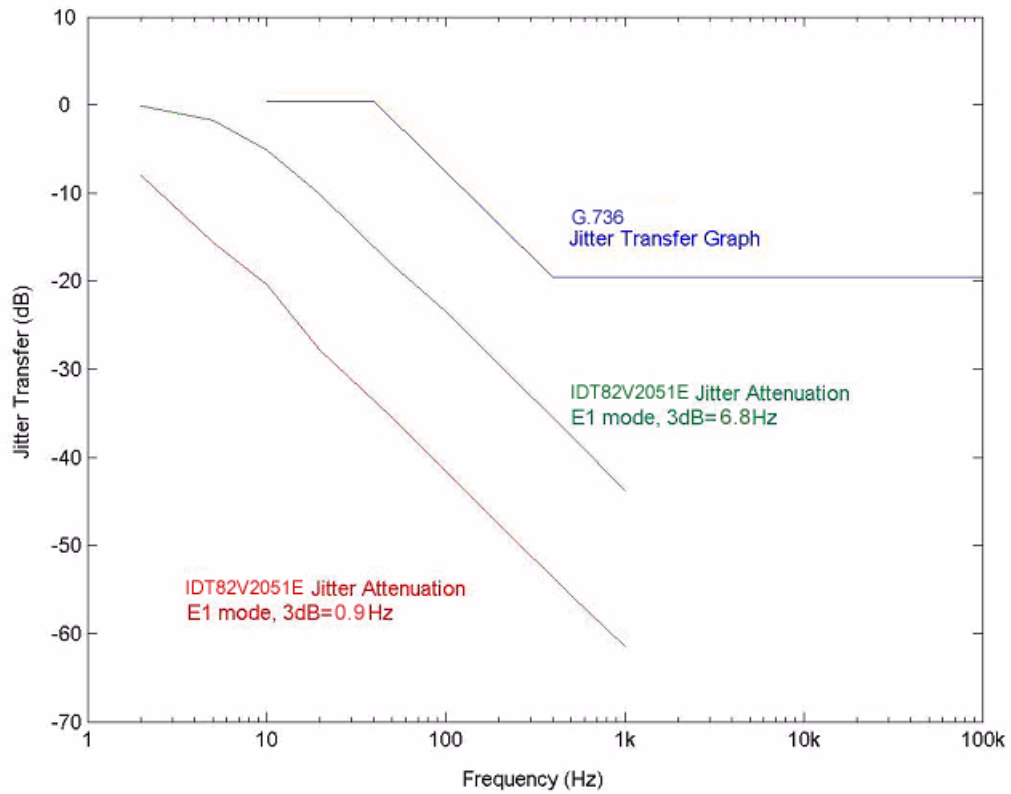


Figure-21 E1 Jitter Transfer Performance

7 MICROCONTROLLER INTERFACE TIMING CHARACTERISTICS

7.1 SERIAL INTERFACE TIMING

Table-49 Serial Interface Timing Characteristics

| Symbol | Parameter | Min | Typ | Max | Unit | Comments |
|--------|----------------------------------------------------------|-----|-----|-----|------|----------|
| t1 | SCLK High Time | 100 | | | ns | |
| t2 | SCLK Low Time | 100 | | | ns | |
| t3 | Active \overline{CS} to SCLK Setup Time | 5 | | | ns | |
| t4 | Last SCLK Hold Time to Inactive \overline{CS} Time | 41 | | | ns | |
| t5 | \overline{CS} Idle Time | 41 | | | ns | |
| t6 | SDI to SCLK Setup Time | 0 | | | ns | |
| t7 | SCLK to SDI Hold Time | 82 | | | ns | |
| t10 | SCLK to SDO Valid Delay Time | | | 95 | ns | |
| t11 | Inactive \overline{CS} to SDO High Impedance Hold Time | | | 90 | ns | |

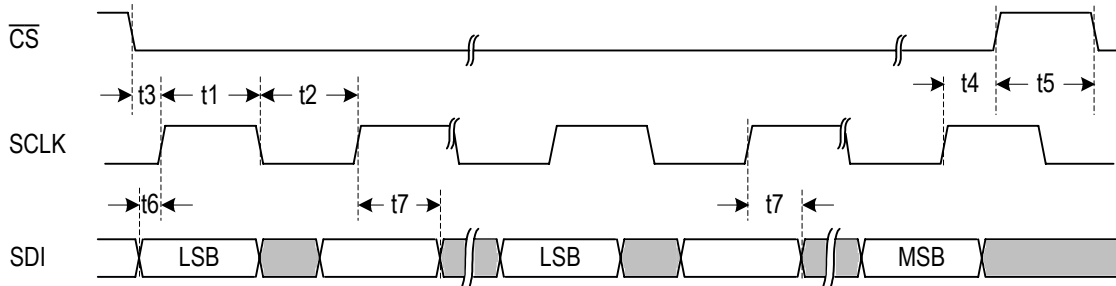


Figure-22 Serial Interface Write Timing

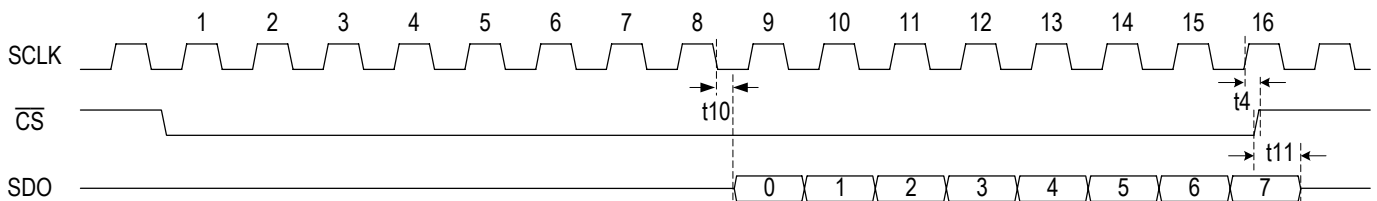


Figure-23 Serial Interface Read Timing with SCLKE=1

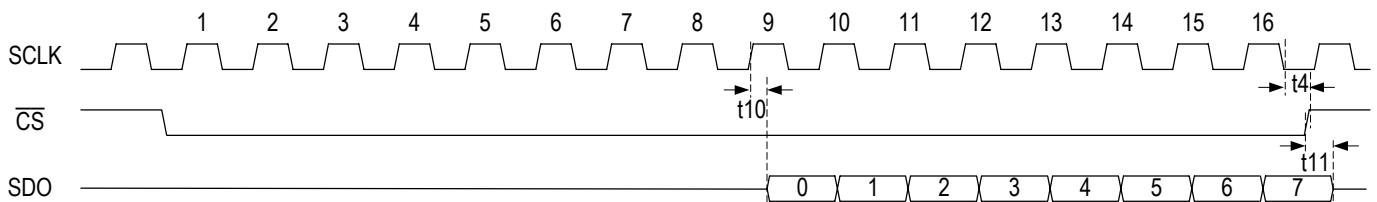


Figure-24 Serial Interface Read Timing with SCLKE=0

7.2 PARALLEL INTERFACE TIMING

Table-50 Multiplexed Motorola Read Timing Characteristics

| Symbol | Parameter | Min | Max | Unit |
|-----------|----------------------------------------------------------------|-----|-----|------|
| tRC | Read Cycle Time | 190 | | ns |
| tDW | Valid \overline{DS} Width | 180 | | ns |
| tRWV | Delay from \overline{DS} to Valid Read | | 15 | ns |
| tRWH | R/W to \overline{DS} Hold Time | 65 | | ns |
| tASW | Valid AS Width | 10 | | ns |
| tADD | Delay from AS active to \overline{DS} active | 0 | | ns |
| tADS | Address to AS Setup Time | 5 | | ns |
| tADH | Address to AS Hold Time | 5 | | ns |
| tPRD | \overline{DS} to Valid Read Data Propagation Delay | | 175 | ns |
| tDAZ | Delay from \overline{DS} inactive to data bus High Impedance | 5 | 20 | ns |
| tAKD | Acknowledgement Delay | | 190 | ns |
| tAKH | Acknowledgement Hold Time | 5 | 15 | ns |
| tAKZ | Acknowledgement Release Time | | 5 | ns |
| tRecovery | Recovery Time from Read Cycle | 5 | | ns |

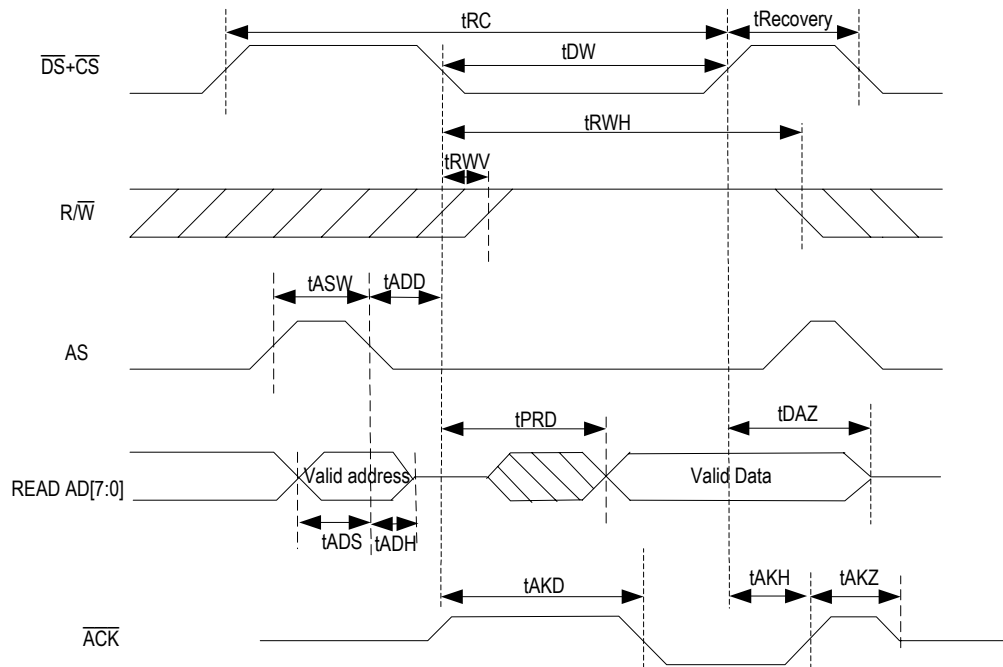


Figure-25 Multiplexed Motorola Read Timing

Table-51 Multiplexed Motorola Write Timing Characteristics

| Symbol | Parameter | Min | Max | Unit |
|-----------|-------------------------------------------------------------|-----|-----|------|
| tWC | Write Cycle Time | 120 | | ns |
| tDW | Valid \overline{DS} Width | 100 | | ns |
| tRWV | Delay from \overline{DS} to Valid Write | | 15 | ns |
| tRWH | R/W to \overline{DS} Hold Time | 65 | | ns |
| tASW | Valid AS Width | 10 | | ns |
| tADD | Delay from \overline{AS} active to \overline{DS} active | 0 | | ns |
| tADS | Address to AS Setup Time | 5 | | ns |
| tADH | Address to AS Hold Time | 5 | | ns |
| tDV | Delay from \overline{DS} to Valid Write Data | | 15 | ns |
| tDHW | Write Data to \overline{DS} Hold Time | 65 | | ns |
| tAKD | Acknowledgement Delay | | 150 | ns |
| tAKH | Acknowledgement Hold Time | 5 | 15 | ns |
| tAKZ | Acknowledgement Release Time | | 5 | ns |
| tRecovery | Recovery Time from Write Cycle | 5 | | |

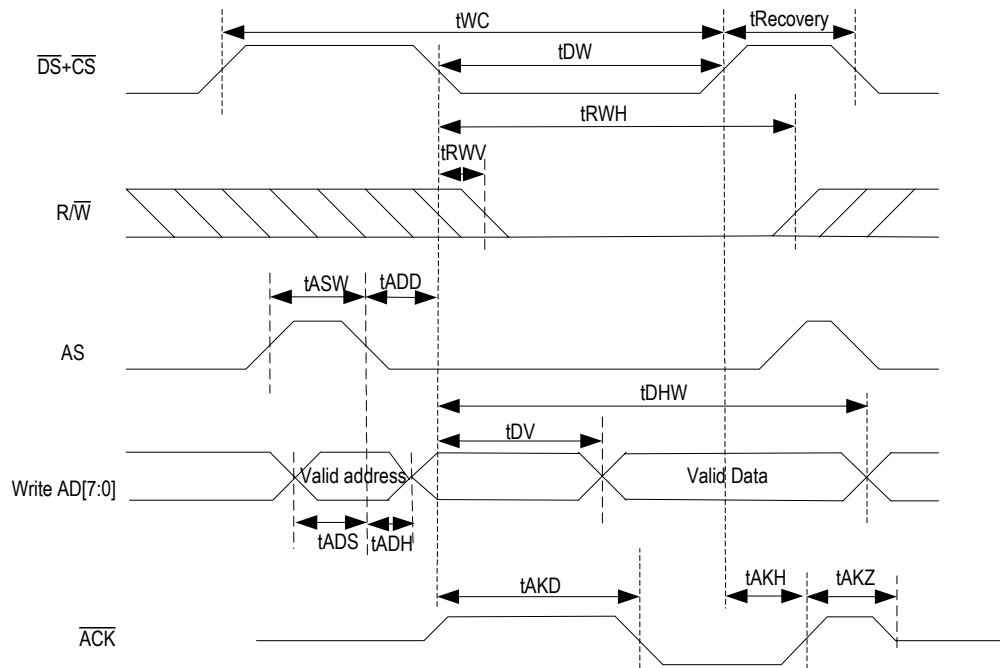


Figure-26 Multiplexed Motorola Write Timing

Table-52 Multiplexed Intel Read Timing Characteristics

| Symbol | Parameter | Min | Max | Unit |
|-----------|----------------------------------------------------------------|-----|-----|------|
| tRC | Read Cycle Time | 190 | | ns |
| tRDW | Valid \overline{RD} Width | 180 | | ns |
| tARD | Delay from ALE to Valid Read | 0 | | ns |
| tALEW | Valid ALE Width | 10 | | ns |
| tADS | Address to ALE Setup Time | 5 | | ns |
| tADH | Address to ALE Hold Time | 5 | | ns |
| tPRD | \overline{RD} to Valid Read Data Propagation Delay | | 175 | ns |
| tDAZ | Delay from \overline{RD} inactive to data bus High Impedance | 5 | 20 | ns |
| tAKD | Acknowledgement Delay | | 190 | ns |
| tAKH | Acknowledgement Hold Time | 5 | 15 | ns |
| tAKZ | Acknowledgement Release Time | | 5 | ns |
| tRecovery | Recovery Time from Read Cycle | 5 | | |

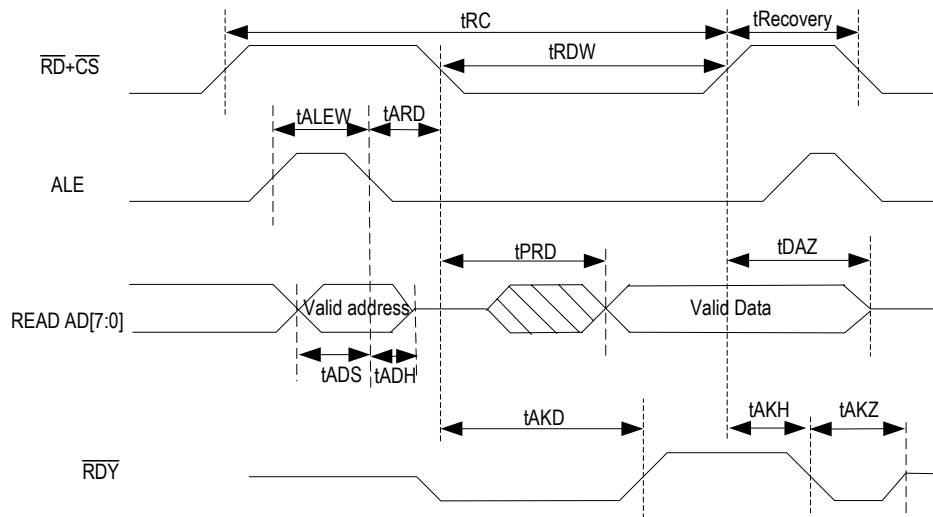


Figure-27 Multiplexed Intel Read Timing

Table-53 Multiplexed Intel Write Timing Characteristics

| Symbol | Parameter | Min | Max | Unit |
|----------------|------------------------------------------------|-----|-----|------|
| t_{WC} | Write Cycle Time | 120 | | ns |
| t_{WRW} | Valid \overline{WR} Width | 100 | | ns |
| t_{ALEW} | Valid ALE Width | 10 | | ns |
| t_{AWD} | Delay from ALE to Valid Write | 0 | | ns |
| t_{ADS} | Address to ALE Setup Time | 5 | | ns |
| t_{ADH} | Address to ALE Hold Time | 5 | | ns |
| t_{DV} | Delay from \overline{WR} to Valid Write Data | | 15 | ns |
| t_{DHW} | Write Data to \overline{WR} Hold Time | 65 | | ns |
| t_{AKD} | Acknowledgement Delay | | 150 | ns |
| t_{AKH} | Acknowledgement Hold Time | 5 | 15 | ns |
| t_{AKZ} | Acknowledgement Release Time | | 5 | ns |
| $t_{Recovery}$ | Recovery Time from Write Cycle | 5 | | |

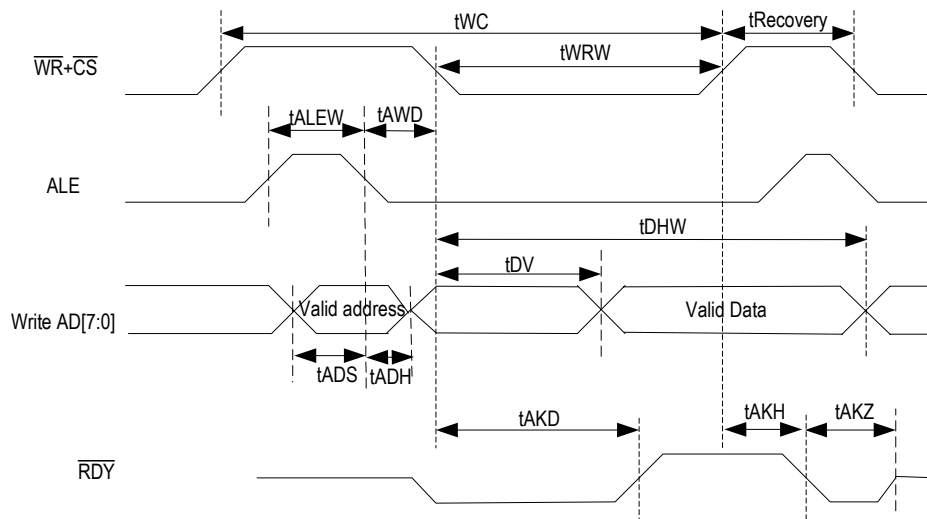
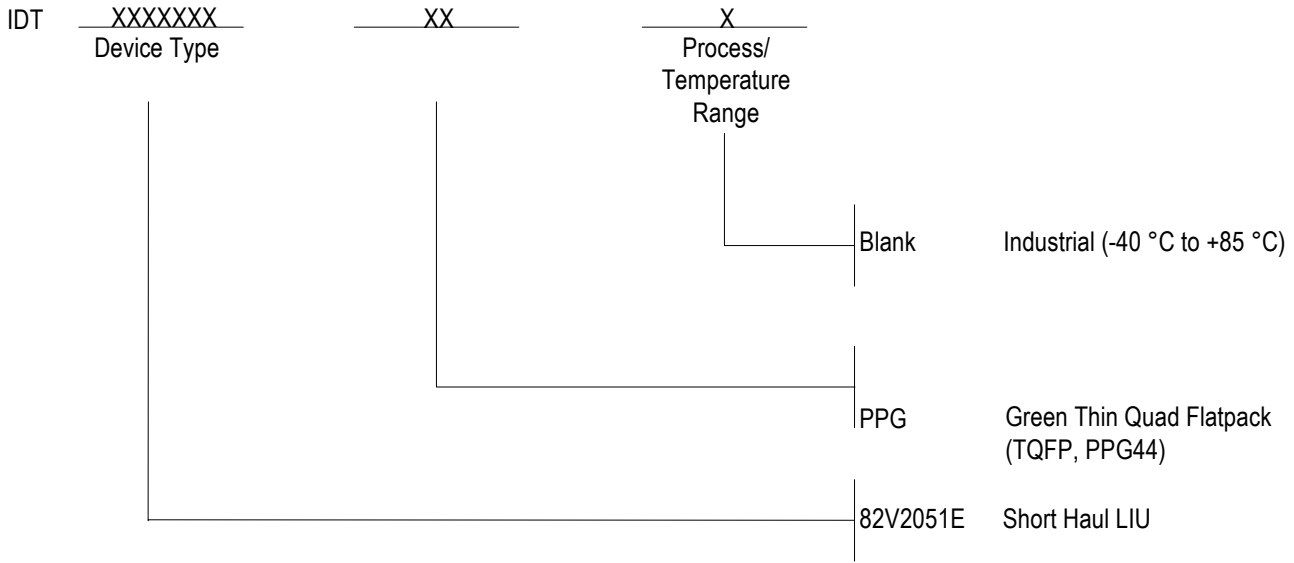


Figure-28 Multiplexed Intel Write Timing

ORDERING INFORMATION



DATASHEET DOCUMENT HISTORY

12/09/2005 pgs. 1, 14, 18, 24, 31, 32, 39, 51, 52, 61

02/23/2015 pg. 61 removed leaded device



CORPORATE HEADQUARTERS
 6024 Silver Creek Valley Road
 San Jose, CA 95138

for SALES:
 1-800-345-7015 or 408-284-8200
 fax: 408-284-2775
 www.idt.com

for Tech Support:
 408-360-1552
 email:TELECOMhelp@idt.com

Компания «Life Electronics» занимается поставками электронных компонентов импортного и отечественного производства от производителей и со складов крупных дистрибьюторов Европы, Америки и Азии.

С конца 2013 года компания активно расширяет линейку поставок компонентов по направлению коаксиальный кабель, кварцевые генераторы и конденсаторы (керамические, пленочные, электролитические), за счёт заключения дистрибьюторских договоров

Мы предлагаем:

- Конкуренспособные цены и скидки постоянным клиентам.
- Специальные условия для постоянных клиентов.
- Подбор аналогов.
- Поставку компонентов в любых объемах, удовлетворяющих вашим потребностям.
- Приемлемые сроки поставки, возможна ускоренная поставка.
- Доставку товара в любую точку России и стран СНГ.
- Комплексную поставку.
- Работу по проектам и поставку образцов.
- Формирование склада под заказчика.
- Сертификаты соответствия на поставляемую продукцию (по желанию клиента).
- Тестирование поставляемой продукции.
- Поставку компонентов, требующих военную и космическую приемку.
- Входной контроль качества.
- Наличие сертификата ISO.

В составе нашей компании организован Конструкторский отдел, призванный помогать разработчикам, и инженерам.

Конструкторский отдел помогает осуществить:

- Регистрацию проекта у производителя компонентов.
- Техническую поддержку проекта.
- Защиту от снятия компонента с производства.
- Оценку стоимости проекта по компонентам.
- Изготовление тестовой платы монтаж и пусконаладочные работы.



Тел: +7 (812) 336 43 04 (многоканальный)

Email: org@lifeelectronics.ru