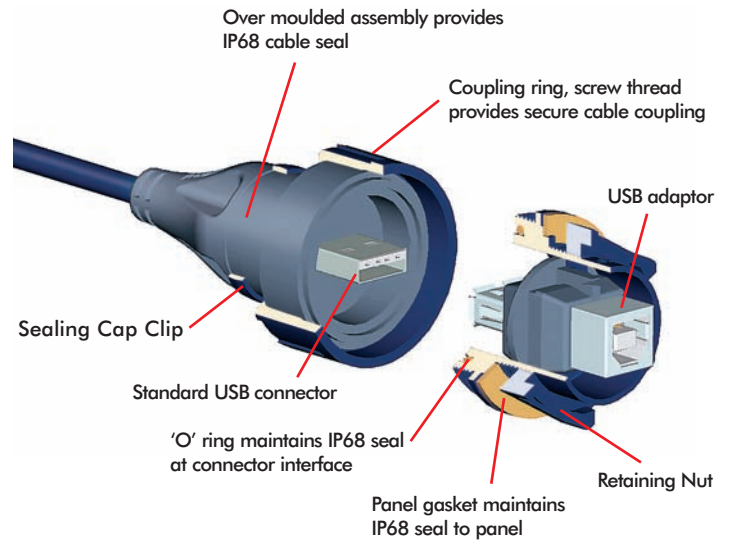


USB Buccaneer®

IP68



- IP68 rated
- USB version 2.0 performance
- Plug and play capability
- Visual mating indication
- Shielded system
- Single and double ended cables
- Screw coupling
- PCB versions
- ▶ Dust and waterproof sealing when mated
- ▶ Low and high speed bus connection, 1.5Mbps to 480Mbps
- ▶ Hot pluggable, standard 4 pole interface
- ▶ Alignment indicator reduces risk of damage during mating
- ▶ High noise immunity and EMI protection
- ▶ Suitable for PC and peripheral configuration
- ▶ Secure, proven locking system
- ▶ Direct mounting or via adaptor leads

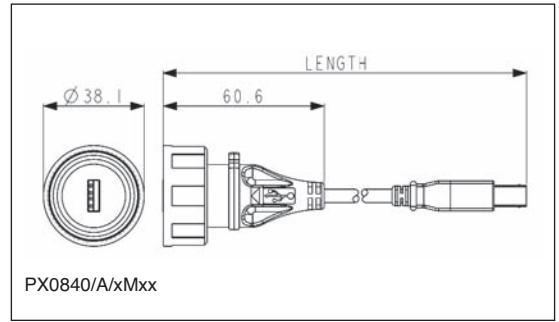
SEALED USB CABLES - SINGLE ENDED



PX0840/A

Single ended sealed cable assembly

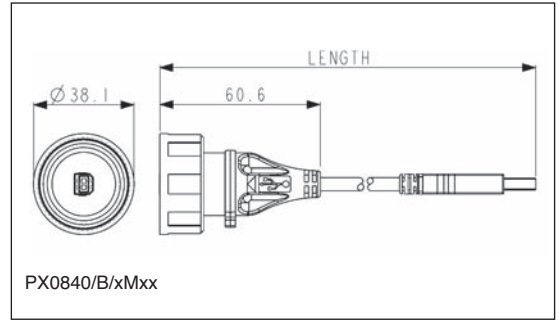
- IP68 'A' type USB connector to standard 'B' type USB connector, mates with all panel mount connectors
- IP68 'B' type USB connector to standard 'A' type USB connector, mates with all panel mount connectors
- Available in 2m, 3m and 5m lengths



PX0840/A/xMxx



PX0840/B



PX0840/B/xMxx

Part No.	Length	Description
PX0840/A/2M00	2m	IP68 A type USB to standard B type USB
PX0840/A/3M00	3m	IP68 A type USB to standard B type USB
PX0840/A/5M00	5m	IP68 A type USB to standard B type USB
PX0840/B/2M00	2m	IP68 B type USB to standard A type USB
PX0840/B/3M00	3m	IP68 B type USB to standard A type USB
PX0840/B/5M00	5m	IP68 B type USB to standard A type USB

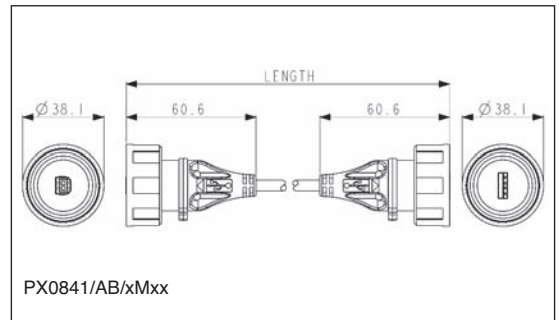
SEALED USB CABLES - DOUBLE ENDED



PX0841/AB

Double ended sealed cable assembly

- IP68 'A' type USB connector to IP68 'B' type USB connector
- Mates with all panel mount connectors
- Available in 2m, 3m and 5m lengths



PX0841/AB/xMxx

Part No.	Length	Description
PX0841/AB/2M00	2m	IP68 A type USB to IP68 B type USB
PX0841/AB/3M00	3m	IP68 A type USB to IP68 B type USB
PX0841/AB/5M00	5m	IP68 A type USB to IP68 B type USB

USB Buccaneer®

FRONT PANEL MOUNTING CONNECTOR



- PX0842/A - USB 'A' type IP68 connector
- PX0842/B - USB 'B' type IP68 connector
- Opposite connector to rear of panel
- Mates with PX0840 and PX0841 cable connectors

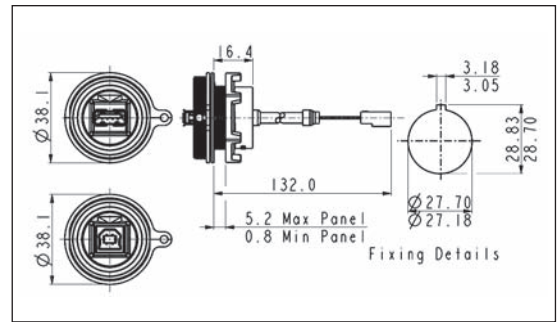


Part No.	Description
PX0842/A	IP68 A type USB, front panel mounted. Sealed A type at front of panel, standard B type at rear.
PX0842/B	IP68 B type USB, front panel mounted. Sealed B type at front of panel, standard A type at rear.

FRONT PANEL MOUNTING CONNECTOR



- PX0843/A - USB 'A' type IP68 connector
- PX0843/B - USB 'B' type IP68 connector
- Leaded with 5 way crimp connector
- Mates with PX0840 and PX0841 cable connectors

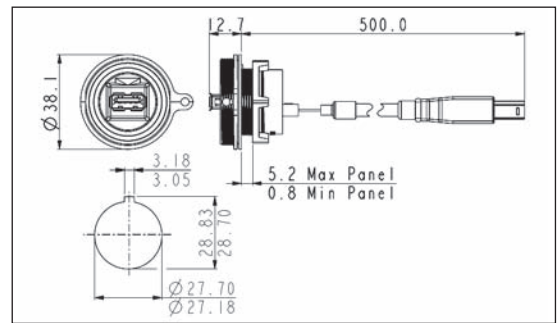


Part No.	Description
PX0843/A	IP68 A type USB, front panel mounted. Sealed A type at front of panel, 5 way crimp connector at rear.
PX0843/B	IP68 B type USB, front panel mounted. Sealed B type at front of panel, 5 way crimp connector at rear.
PX0460/A	As PX0843/A with exposed braid for use with PX0465 screening can
PX0460/B	As PX0843/B with exposed braid for use with PX0465 screening can

FRONT PANEL MOUNTING CONNECTOR



- IP68 Sealed through panel
- PX0844/A - USB 'A' type IP68 connector
- PX0844/B - USB 'B' type IP68 connector
- Standard USB interface plug options to rear of panel
- 500mm standard cable length, other lengths available
- Mates with PX0840 and PX0841



Part No.	Description
PX0844/A/OM50/A	IP68 A type USB, sealed through panel, Sealed 'A' type at front of panel, standard 'A' type at rear
PX0844/A/OM50/B	IP68 A type USB, sealed through panel, Sealed 'A' type at front of panel, standard 'B' type at rear
PX0844/B/OM50/A	IP68 B type USB, sealed through panel, Sealed 'B' type at front of panel, standard 'A' type at rear
PX0844/B/OM50/B	IP68 B type USB, sealed through panel, Sealed 'B' type at front of panel, standard 'B' type at rear

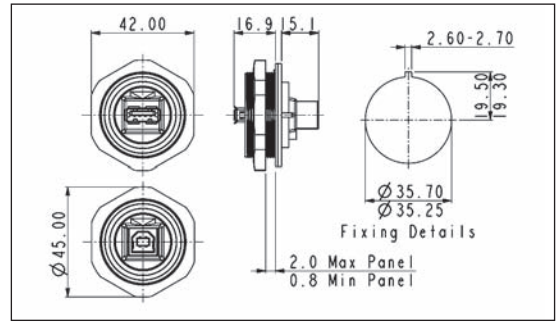
BUCCANEER DATA

USB Buccaneer®

REAR PANEL MOUNTING CONNECTOR



- PX0848/A - USB 'A' type IP68 connector
- PX0848/B - USB 'B' type IP68 connector
- Opposite connector to rear of panel
- Mates with PX0840 and PX0841 cable connectors

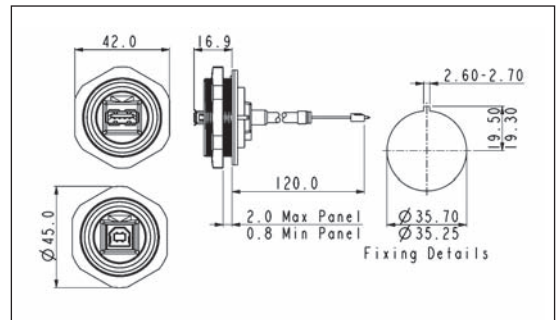


Part No.	Description
PX0848/A	IP68 A type USB, rear panel mounted. Sealed A type at front of panel, standard B type at rear.
PX0848/B	IP68 B type USB, rear panel mounted. Sealed B type at front of panel, standard A type at rear.

REAR PANEL MOUNTING CONNECTOR



- PX0849/A - USB 'A' type IP68 connector
- PX0849/B - USB 'B' type IP68 connector
- Leaded with 5 way header
- Mates with PX0840 and PX0841 cable connectors

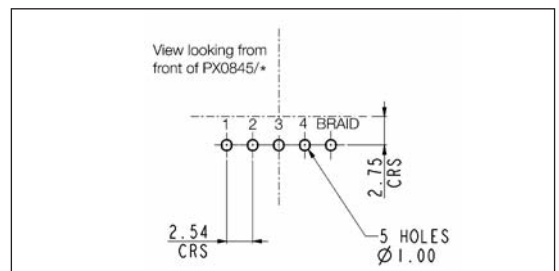
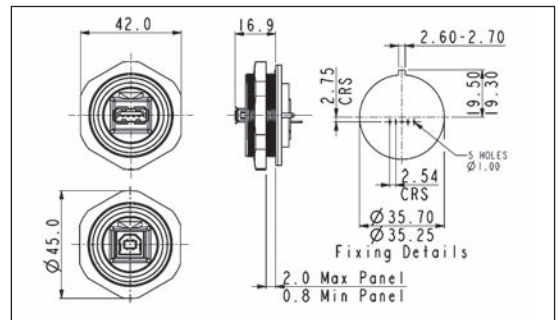


Part No.	Description
PX0849/A	IP68 A type USB, rear panel mounted. Sealed A type at front of panel, 5 way header at rear.
PX0849/B	IP68 B type USB, rear panel mounted. Sealed B type at front of panel, 5 way header at rear.

REAR PANEL MOUNTING CONNECTOR - PCB DIRECT MOUNT



- PX0845/A - USB 'A' type IP68 connector
- PX0845/B - USB 'B' type IP68 connector
- PCB contacts at rear
- Direct PCB mount
- Mates with PX0840 and PX0841 cable connectors



Part No.	Description
PX0845/A	IP68 A type USB, rear panel mounted. Sealed A type at front of panel, direct mount PCB contacts at rear.
PX0845/B	IP68 B type USB, rear panel mounted. Sealed B type at front of panel, direct mount PCB contacts at rear.

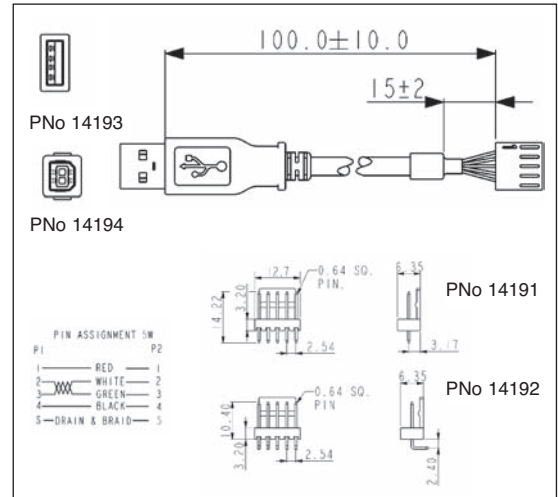
USB Buccaneer®

PCB ADAPTOR LEADS



- Standard A and B type USB connectors to 5 way crimp adaptor leads
- 5 way headers, 2.54mm pitch, horizontal or vertical mounting

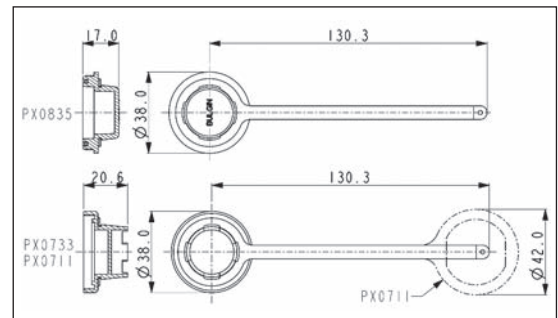
Part No.	Description
14193	USB 'A' type to 5 way crimp connector
14194	USB 'B' type to 5 way crimp connector
14191	5 way PCB header straight
14192	5 way PCB header right angle



ACCESSORIES



- Sealing caps to maintain IP68 rating when connectors are not in use
- PX0835 for cable connectors PX0840 & PX0841
- PX0733 for front panel mount connectors PX0842, PX0843 & PX0844
- PX0711 for rear panel mount connectors PX0848, PX0849 & PX0845

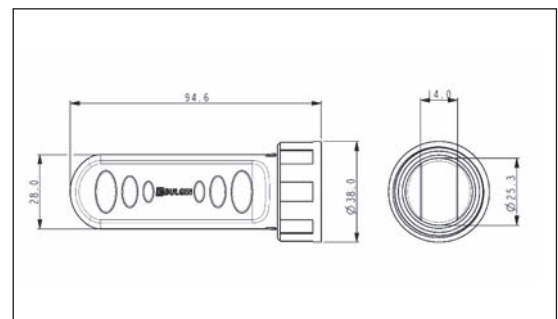


Part No.	Description
PX0835	Sealing Cap for cable connectors (PX0840, PX0841)
PX0733	Sealing Cap for front panel mounting connector (PX0842, PX0843)
PX0711	Sealing Cap for rear panel mounting connector (PX0848, PX0849, PX0845)

USB FLASH DRIVE COVER



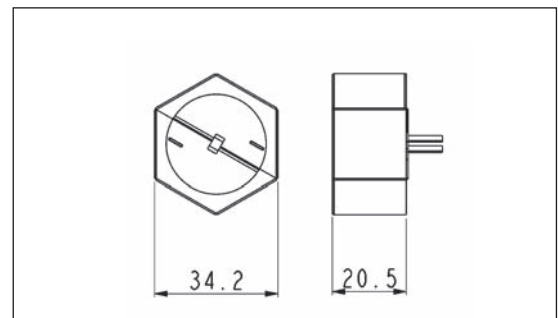
- For use with USB Flash Drives
- Maintains IP68 rating when mated with panel connector
- For use with 'A' type connectors: PX0842, PX0843, PX0845, PX0848 & PX0849
- Internal accommodation 17.5 x 14.0 x 83mm approx.



SCREENING CAN



- Maintains cable screening directly to panel
- Screening can clips around the panel fixing nut
- For use on PX0460/A and PX0460/B



BUCCANEER DATA

SPECIFICATION

Cables & connectors

Mechanical

Sealing IP68, EN60529
 Operating temperature 0°C to +70°C

Electrical

No. of poles 4
 Current rating 1A
 Voltage rating 30Vac (RMS)
 Contact resistance 30mΩ max.
 Performance USB version 2.0

Materials - Overmoulded

Overmould material PVC (black)
 Flammability rating UL94V-0

Materials - Re-wireable and Panel Connectors

Shell material Steel
 Shell plating Nickel
 Contact material Copper Alloy
 Contact plating 30 micro inch Gold
 Connector body & locking ring Polyester
 Panel connector Nylon 6
 Flammability rating UL94V-0
 'O' rings Silicon
 Panel Gasket - round Silicon
 Panel Gasket - square Neoprene
 Mating cycles 1,000
RoHS Compliant

Materials - cable

Cable Jacket PVC (black)
 Screen Tinned copper braid
 Flammability UL94V-0
RoHS Compliant

Length:	Dia	Conductors	
		Signal	Power
2m	4.8mm	2 x 28AWG	2 x 24AWG
3m	5.0mm	2 x 28AWG	2 x 22AWG
5m	5.2mm	2 x 25AWG	2 x 20AWG

PCB adaptor leads

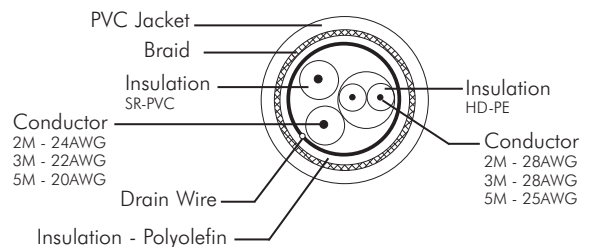
Electrical

No. of conductors 4
 Current rating 1A
 Voltage rating 30Vac (RMS)
 Contact resistance <10mΩ max.
 PCB pitch 2.54mm

Materials

Moulding Polycarbonate
 Flammability UL94V-0
 Contact material Copper Alloy
 Contact plating 30 micro inch Gold
 Wire insulation PVC (black)
 Flammability UL94-V0
 Conductors 4 x 28AWG
 Operating temperature 0°C to +70°C
 Mating cycles 1,000
RoHS Compliant

Cable construction - PX0840, PX0841



Компания «Life Electronics» занимается поставками электронных компонентов импортного и отечественного производства от производителей и со складов крупных дистрибьюторов Европы, Америки и Азии.

С конца 2013 года компания активно расширяет линейку поставок компонентов по направлению коаксиальный кабель, кварцевые генераторы и конденсаторы (керамические, пленочные, электролитические), за счёт заключения дистрибьюторских договоров

Мы предлагаем:

- Конкурентоспособные цены и скидки постоянным клиентам.
- Специальные условия для постоянных клиентов.
- Подбор аналогов.
- Поставку компонентов в любых объемах, удовлетворяющих вашим потребностям.
- Приемлемые сроки поставки, возможна ускоренная поставка.
- Доставку товара в любую точку России и стран СНГ.
- Комплексную поставку.
- Работу по проектам и поставку образцов.
- Формирование склада под заказчика.
- Сертификаты соответствия на поставляемую продукцию (по желанию клиента).
- Тестирование поставляемой продукции.
- Поставку компонентов, требующих военную и космическую приемку.
- Входной контроль качества.
- Наличие сертификата ISO.

В составе нашей компании организован Конструкторский отдел, призванный помогать разработчикам, и инженерам.

Конструкторский отдел помогает осуществить:

- Регистрацию проекта у производителя компонентов.
- Техническую поддержку проекта.
- Защиту от снятия компонента с производства.
- Оценку стоимости проекта по компонентам.
- Изготовление тестовой платы монтаж и пусконаладочные работы.



Тел: +7 (812) 336 43 04 (многоканальный)

Email: org@lifeelectronics.ru