

REVISIONS				
SYM	ZONE	ECN, ERN NO.	DATE	APPRD.
C		PROPOSAL	APR16/10	Z.L.

THIS IS A CAD DRAWING. DO NOT MANUALLY REVISE.

AMPHENOL PART NUMBER CONFIGURATION:

U65 - X XX - X X 7 XXX

INFINITY  
RECEPTACLE

STYLE

B = R/A SMT, 2 LOCATION  
AND 4 SOLDERING POSTS  
E = R/A SMT, 2 LOCATION  
AND 4 SCREW MOUNT HOLES

CONNECTOR TYPE

04 = 4X  
12 = 12X

PLATING

1 = 50μ" GOLD  
2 = 30μ" GOLD  
3 = GOLD FLASH OVER  
PALLADIUM-NICKEL (LEAD FREE)  
4 = 50μ" GOLD (RoHS COMPLIANT)  
5 = 30μ" GOLD (RoHS COMPLIANT)  
B = 50μ" GOLD (RoHS COMPLIANT)  
C = 30μ" GOLD (RoHS COMPLIANT)

OPTION

0 = 2 PIECE LOCKING PLATE (SHIPPED LOOSE)  
1 = ONE PIECE LOCKING PLATE (SHIPPED LOOSE)  
2 = NO LOCKING PLATE

PACKAGING/SPECIAL

NO DIGIT = TRAY PACKAGING  
NO REAR COVER  
C = TRAY PACKAGING  
WITH REAR COVER (SHIPPED LOOSE)  
T = TAPE & REEL PACKAGING  
NO REAR COVER  
CT = TAPE & REEL PACKAGING  
WITH REAR COVER (SHIPPED LOOSE)

KEYING OPTION

0 = NO KEYING (STD)

MOUNTING STYLE

LANYARD LATCH (WITH TOP MOUNTING EAR)

1. MATERIAL:

PLASTIC HOUSING:

HIGH TEMPERATURE RESISTANT NYLON, FLAMMABILITY RATING UL94V-0.

CONTACTS:

PHOSPHOR BRONZE

PLATING OPTION 1 OR 2 (50μ" OR 30μ" GOLD): 50μ" [1.27 μm] OR 30μ" [0.76 μm] MIN. GOLD OVER 50μ" [1.27 μm] MIN. NICKEL ON CONTACT MATING SURFACES. 150μ" [3.81 μm] MIN. TIN-LEAD (90/10) OVER 50μ" [1.27 μm] NICKEL ON CONTACT TAILS.

PLATING OPTION 3 (GOLD FLASH OVER PALLADIUM-NICKEL): 2μ" [0.05 μm] MIN. GOLD OVER 25μ" [0.635 μm] MIN. PALLADIUM-NICKEL ON CONTACT MATING SURFACES. 0.3μ" [0.007 μm] MIN. GOLD OVER 1.2μ" [0.03 μm] MIN. PALLADIUM-NICKEL ON CONTACT TAILS. 50μ" [1.27 μm] MIN. NICKEL UNDER PLATING.

PLATING OPTION 4 OR 5 (RoHS) (50μ" OR 30μ" GOLD): 50μ" [1.27 μm] OR 30μ" [0.76 μm] MIN. GOLD OVER 50μ" [1.27 μm] MIN. NICKEL ON CONTACT MATING SURFACES. 2μ" [0.05 μm] MIN. GOLD OVER 50μ" [1.27 μm] MIN. NICKEL ON CONTACT TAILS.

PLATING OPTION B OR C (RoHS) (50μ" OR 30μ" GOLD): 50μ" [1.27 μm] OR 30μ" [0.76 μm] MIN. GOLD OVER 50μ" [1.27 μm] MIN. NICKEL ON CONTACT MATING SURFACES. 100-150μ" [2.54-3.81 μm] MATTE TIN OVER 50μ" [1.27 μm] MIN. NICKEL ON CONTACT TAILS.

METAL SHELL: DIE CASTING ALLOY

PLATING: 100μ" [2.54 μm] MIN. NICKEL OVER COPPER UNDER LAYER

GASKET: STAINLESS STEEL

LOCKING PLATE: STAINLESS STEEL

2. TEMPERATURE RANGE:

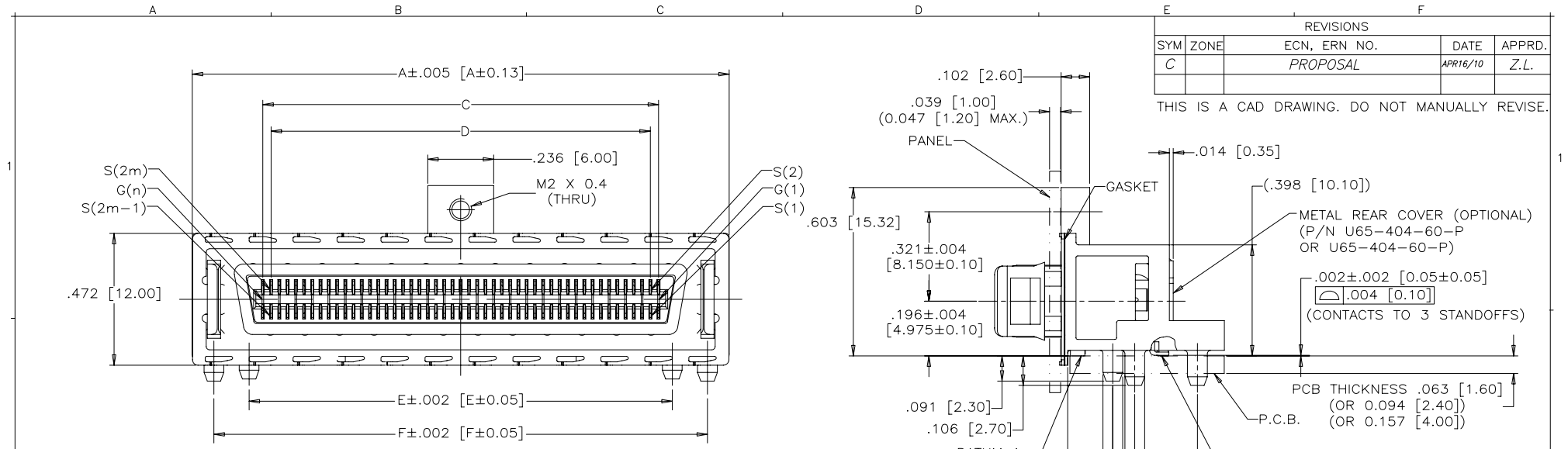
-40°C TO +85°C

THIS DOCUMENT CONTAINS PROPRIETARY INFORMATION AND SUCH INFORMATION MAY NOT BE DISCLOSED TO OTHERS FOR ANY PURPOSE OR USED FOR MANUFACTURING PURPOSES WITHOUT WRITTEN PERMISSION FROM AMPHENOL CANADA CORP.

DRAWN	L.DENG	DATE	2005/01/07	Amphenol Canada Corp.	
DESIGNED					
CHECKED	J.SI	DATE	2005/01/07		
I. E. APPRD.					
Q. A. APPRD.				TITLE INFINITY 4X/12X RECEPTACLE, LANYARD LATCH FIXED BOARD, RIGHT ANGLE SMT WITH TOP MOUNTING EAR	
DWG. APPRD.					
ENG. REL. NO.		DWG	A	DRAWING NO.	P-U65-XXX-XX7XXX
REF.	EAR# 12571/12614				
DIMENSIONS ARE IN	CODE ID. NO.	SCALE	2/1	WT.	-----
INCHES [mm]	03554			SURF.	-----
					SHEET 1 OF 4

A B C D E F

A B C D E F



REVISIONS				
SYM	ZONE	ECN, ERN NO.	DATE	APPRD.
C		PROPOSAL	APR16/10	Z.L.

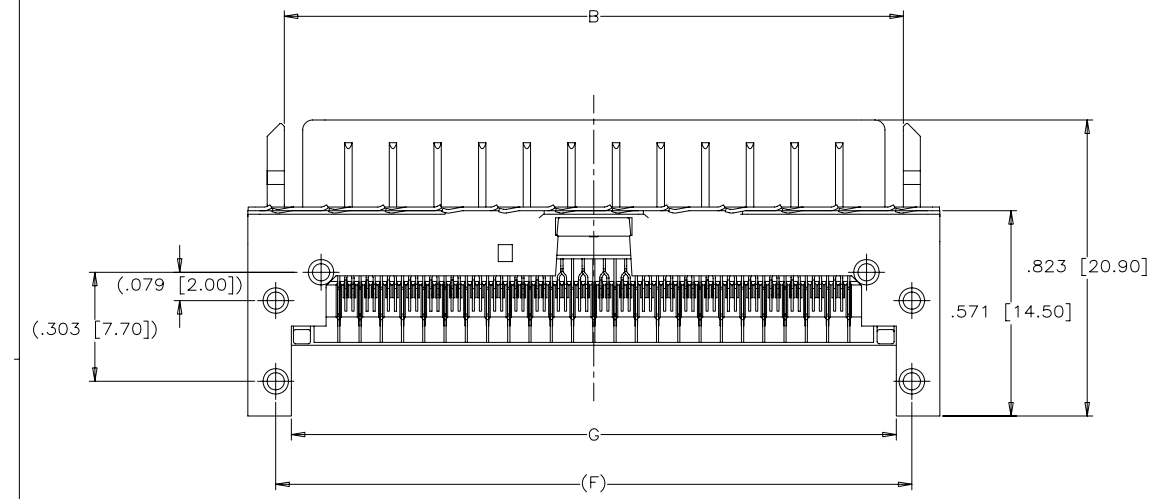
U65-BXX-XX7XXX  
(LOCK PLATE REMOVED)

U65-BXX-XX7XXX  
(SOLDER POST)

DIMENSION TABLE:

PART NUMBER	U65-X04-XX7XXX	U65-X12-XX7XXX
A	.978 [24.85]	1.923 [48.85]
B	.776 [19.70]	1.720 [43.70]
C	.472 [12.00]	1.417 [36.00]
D	.413 [10.50]	1.358 [34.50]
E	.571 [14.50]	1.516 [38.50]
F	.823 [20.90]	1.768 [44.90]
G	.736 [18.70]	1.681 [42.70]
H	.894 [22.70]	1.839 [46.70]
K	.776 [19.70]	1.720 [43.70]
m	m = 1 - 8	m = 1 - 24
n	n = 1 - 9	n = 1 - 25

\*\* REFER TO [mm] AS PRIMARY DIMENSIONS.



U65-BXX-XX7XXX  
(LOCK PLATE REMOVED)

DRAWN	L.DENG	DATE	2005/01/07
DESIGNED			
CHECKED	J.SI	DATE	2005/01/07
I. E. APPRD.			
Q. A. APPRD.			
DWG. APPRD.			
ENG. REL. NO.			
REF.	EAR# 12571/12614		
DIMENSIONS ARE IN	INCHES [mm]	CODE ID. NO.	03554

Amphenol Canada Corp.

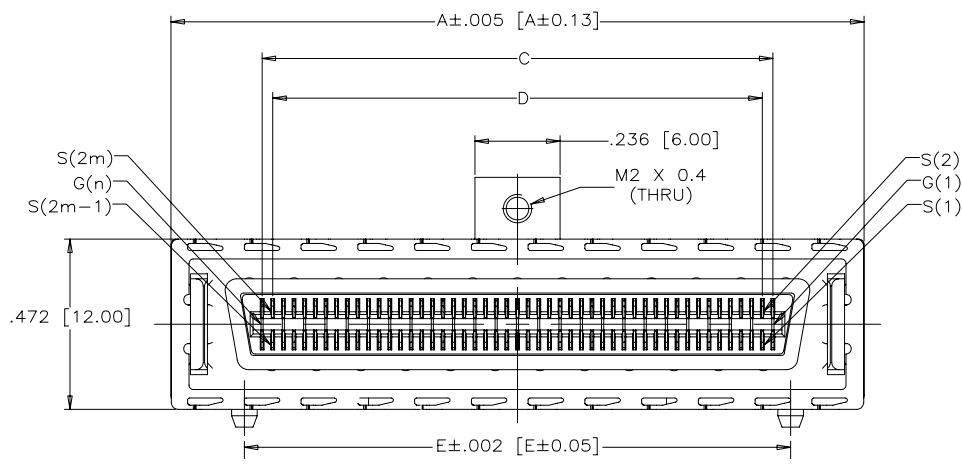
TITLE INFINITY 4X/12X RECEPTACLE, LANYARD LATCH  
FIXED BOARD, RIGHT ANGLE SMT  
WITH TOP MOUNTING EAR

DWG	A	DRAWING NO.	P-U65-XXX-XX7XXX	REV.	C
SCALE	2/1	WT.	-----	SURF.	-----
			SHEET	2 OF 4	

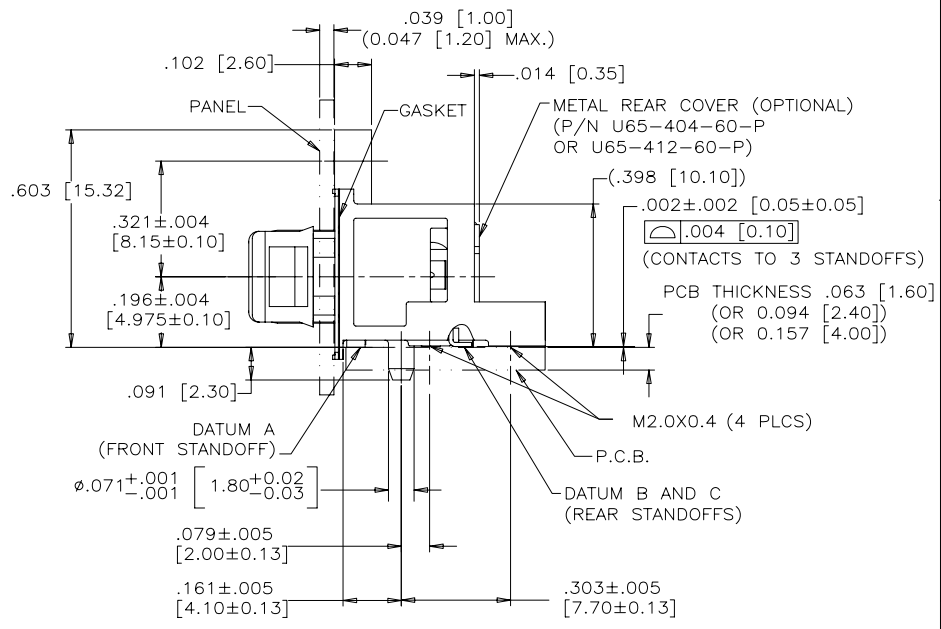
THIS DOCUMENT CONTAINS PROPRIETARY INFORMATION AND SUCH INFORMATION  
MAY NOT BE DISCLOSED TO OTHERS FOR ANY PURPOSE OR USED FOR MANUFACTURING  
PURPOSES WITHOUT WRITTEN PERMISSION FROM AMPHENOL CANADA CORP.

REVISIONS			
SYM	ZONE	ECN, ERN NO.	DATE
C		PROPOSAL	APR16/10
			Z.L.

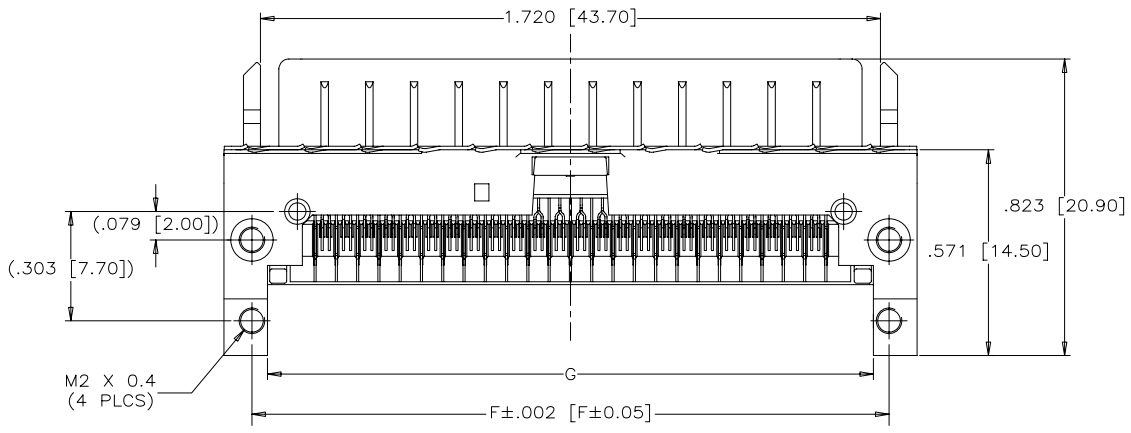
THIS IS A CAD DRAWING. DO NOT MANUALLY REVISE.



U65-EXX-XX7XXX  
(LOCK PLATE REMOVED)



U65-EXX-XX7XXX  
(SCREW MOUNT)



U65-EXX-XX7XXX  
(LOCK PLATE REMOVED)

\*\* REFER TO [mm] AS PRIMARY DIMENSIONS.

THIS DOCUMENT CONTAINS PROPRIETARY INFORMATION AND SUCH INFORMATION MAY NOT BE DISCLOSED TO OTHERS FOR ANY PURPOSE OR USED FOR MANUFACTURING PURPOSES WITHOUT WRITTEN PERMISSION FROM AMPHENOL CANADA CORP.

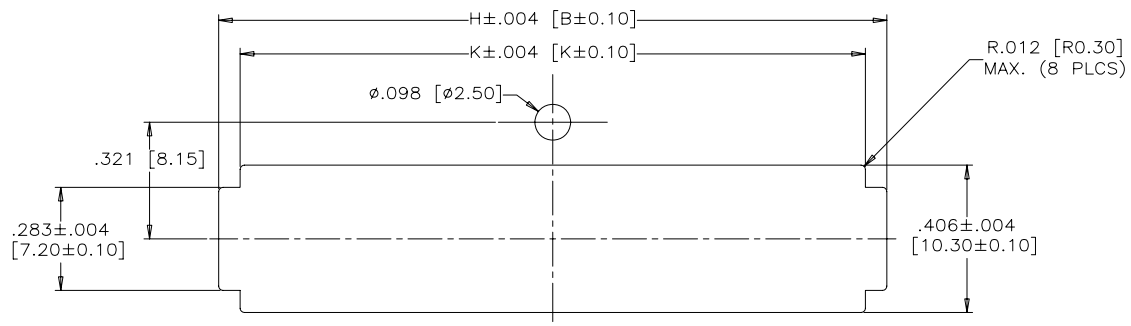
DRAWN	L.DENG	DATE	2005/01/07
DESIGNED			
CHECKED	J.SI	DATE	2005/01/07
I. E. APPRD.			
Q. A. APPRD.			
DWG. APPRD.			
ENG. REL. NO.			
REF.	EAR# 12571/12614		
DIMENSIONS ARE IN	CODE ID. NO.		
INCHES [mm]	03554		

Amphenol Canada Corp.			
TITLE INFINITY 4X/12X RECEPTACLE, LANYARD LATCH FIXED BOARD, RIGHT ANGLE SMT WITH TOP MOUNTING EAR			
DWG	DRAWING NO.	P-U65-XXX-XX7XXX	REV. C
A	SCALE	2/1	WT. ----- SURF. ----- SHEET 3 OF 4

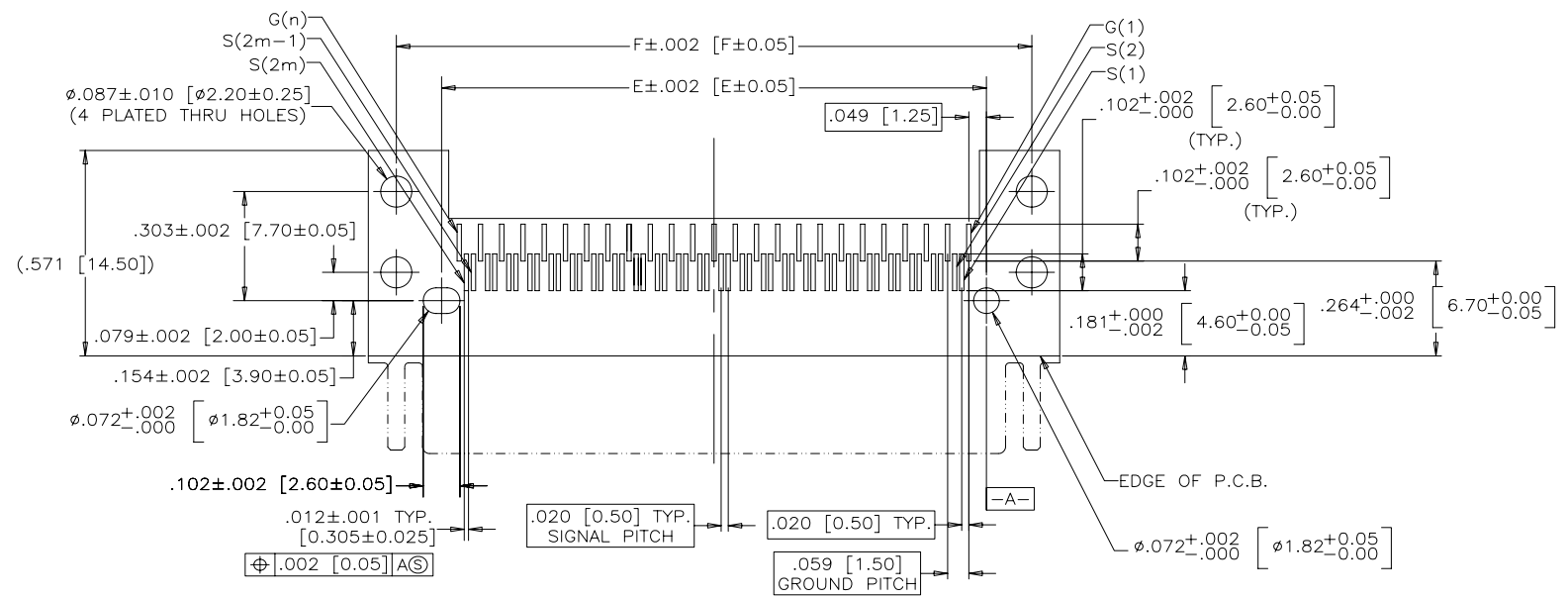
A B C D E F

REVISIONS				
SYM	ZONE	ECN, ERN NO.	DATE	APPRD.
C		PROPOSAL	APR16/10	Z.L.

THIS IS A CAD DRAWING. DO NOT MANUALLY REVISE.



RECOMMENDED PANEL CUTOUT



RECOMMENDED P.C.B. LAYOUT  
(COMPONENTS SIDE OF BOARD)

\*\* REFER TO [mm] AS PRIMARY DIMENSIONS.

THIS DOCUMENT CONTAINS PROPRIETARY INFORMATION AND SUCH INFORMATION MAY NOT BE DISCLOSED TO OTHERS FOR ANY PURPOSE OR USED FOR MANUFACTURING PURPOSES WITHOUT WRITTEN PERMISSION FROM AMPHENOL CANADA CORP.

DRAWN	L.DENG	DATE	2005/01/07	<b>Amphenol Canada Corp.</b> TITLE INFINITY 4X/12X RECEPTACLE, LANYARD LATCH FIXED BOARD, RIGHT ANGLE SMT WITH TOP MOUNTING EAR	
DESIGNED					
CHECKED	J.SI	DATE	2005/01/07		
I. E. APPRD.					
Q. A. APPRD.					
DWG. APPRD.				DWG	DRAWING NO.
ENG. REL. NO.				A	P-U65-XXX-XX7XXX
REF.	EAR# 12571/12614				
DIMENSIONS ARE IN	CODE ID. NO				
INCHES [mm]	03554			SCALE	2/1
				WT.	-----
				SURF.	-----
				SHEET	4 OF 4

Компания «Life Electronics» занимается поставками электронных компонентов импортного и отечественного производства от производителей и со складов крупных дистрибьюторов Европы, Америки и Азии.

С конца 2013 года компания активно расширяет линейку поставок компонентов по направлению коаксиальный кабель, кварцевые генераторы и конденсаторы (керамические, пленочные, электролитические), за счёт заключения дистрибьюторских договоров

Мы предлагаем:

- Конкурентоспособные цены и скидки постоянным клиентам.
- Специальные условия для постоянных клиентов.
- Подбор аналогов.
- Поставку компонентов в любых объемах, удовлетворяющих вашим потребностям.
- Приемлемые сроки поставки, возможна ускоренная поставка.
- Доставку товара в любую точку России и стран СНГ.
- Комплексную поставку.
- Работу по проектам и поставку образцов.
- Формирование склада под заказчика.
- Сертификаты соответствия на поставляемую продукцию (по желанию клиента).
- Тестирование поставляемой продукции.
- Поставку компонентов, требующих военную и космическую приемку.
- Входной контроль качества.
- Наличие сертификата ISO.

В составе нашей компании организован Конструкторский отдел, призванный помогать разработчикам, и инженерам.

Конструкторский отдел помогает осуществить:

- Регистрацию проекта у производителя компонентов.
- Техническую поддержку проекта.
- Защиту от снятия компонента с производства.
- Оценку стоимости проекта по компонентам.
- Изготовление тестовой платы монтаж и пусконаладочные работы.



Тел: +7 (812) 336 43 04 (многоканальный)

Email: [org@lifeelectronics.ru](mailto:org@lifeelectronics.ru)