

General Description

The 840NT4 is a PLL-based clock generator designed to interface with Freescale B4/T4 Processor systems. The clock generator offers low jitter, low-skew clock outputs, frequency margining (0.025 - 0.312MHz step granularity), and spread spectrum clocking that meets the ever-growing demands of Freescale's next generation processors.

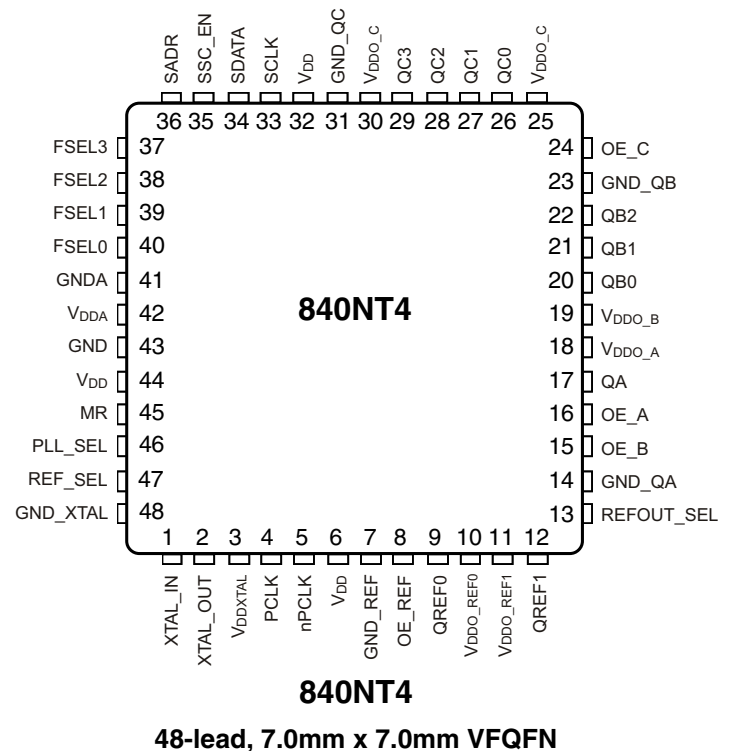
Features

- Ten LVCMOS clock outputs: four system clocks, four DDR clocks, one RTC output, and one 25MHz reference clock
- Selectable input reference: crystal oscillator interface or differential LVPECL input
- Output Frequency Range: 25MHz - 200MHz
- Serial Interface: I²C programmable
- Frequency Margining in <0.312MHz steps
- Spread spectrum for EMI reduction
- VCO range: 2GHz – 2.4GHz
- Voltage supply modes:
Core (V_{DD}, V_{DDXTAL}, V_{DDA}) all core voltages must be identical
Output (V_{DDO_A}, V_{DDO_B}, V_{DDO_C}, V_{DDO_REF0}, V_{DDO_REF1})
Core / Output
3.3V / 3.3V
3.3V / 2.5V
3.3V / 1.8V
2.5V / 2.5V
2.5V / 1.8V
- Output voltage levels are independently selectable
- -40°C to 85°C ambient operating temperature
- Lead-free (RoHS 6) packaging

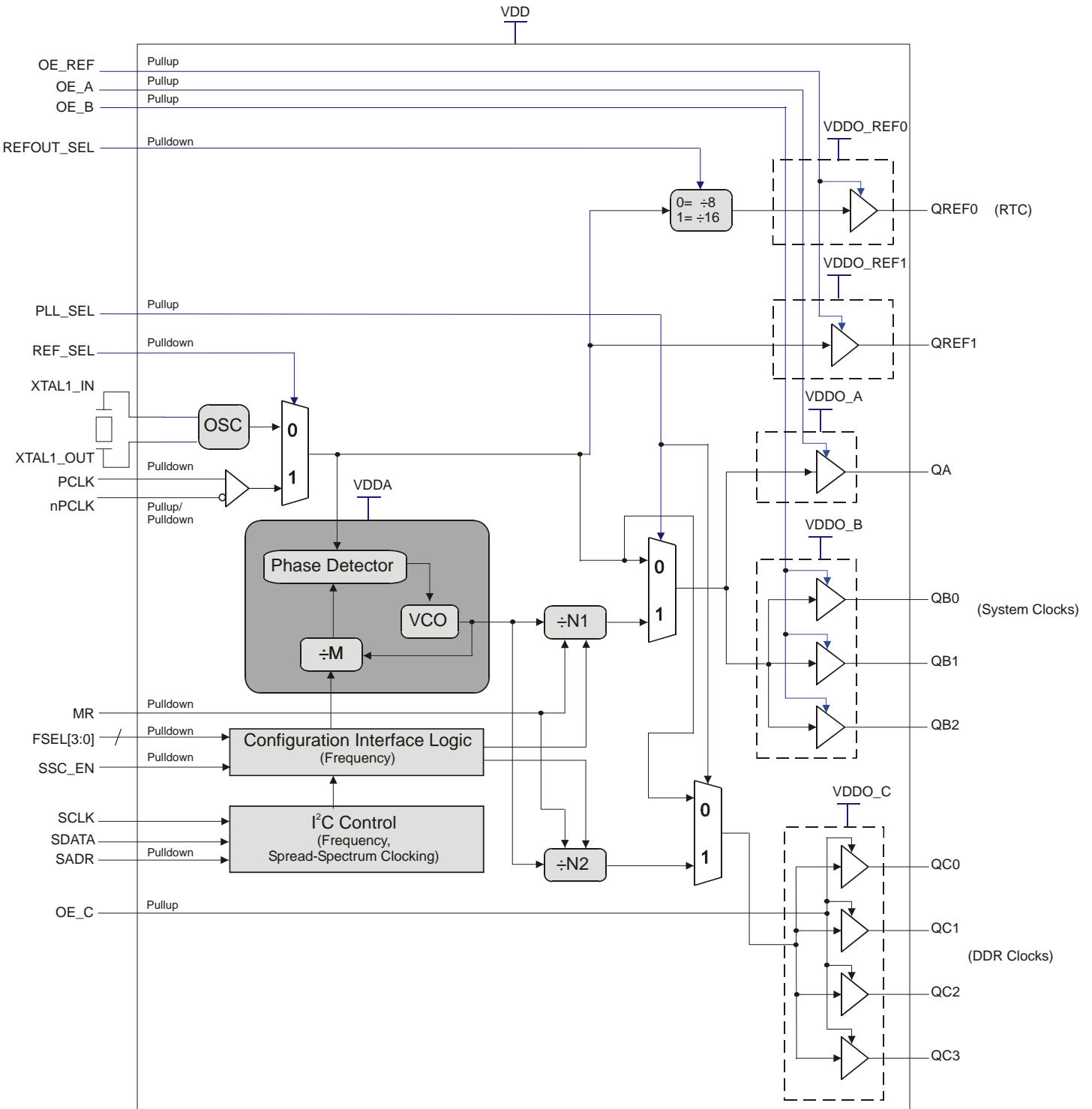
Output Frequency Reference Table

XTAL (MHz)	FSEL[3:0]	SYSCLK QA & QB (MHz)	DDRCLK QC (MHz)
25	0000	66.67	66.67
25	0001	66.67	100
25	0010	66.67	125
25	0011	66.67	133.33
25	0100	100	66.67
25	0101	100	100
25	0110	100	125
25	0111	100	133.33
25	1000	125	66.67
25	1001	125	100
25	1010	125	125
25	1011	125	133.33
25	1100	133.33	66.67
25	1101	133.33	100
25	1110	133.33	125
25	1111	133.33	133.33

Pin Assignment



Block Diagram



Pin Description and Pin Characteristic Tables

Table 1. Pin Descriptions

Number	Name	Type		Description
1, 2	XTAL_IN XTAL_OUT	Input		Crystal oscillator interface. XTAL_IN is the input, XTAL_OUT is the output.
6, 32, 44	V _{DD}	Power		Core supply pins.
3	V _{DDXTAL}	Power		Power supply pin for crystal oscillator.
4	PCLK	Input	Pulldown	Non-inverting external 25MHz differential LVPECL reference input. LVPECL input levels.
5	nPCLK	Input	Pullup/ Pulldown	Inverting external 25MHz differential LVPECL reference input. LVPECL input levels.
7	GND_REF	Power		Power supply ground for QREF clock outputs.
8	OE_REF	Input	Pullup	Output enable for QREFx clock outputs. The QREFx outputs are placed in a high-impedance mode on disable. LVCMOS/LVTTL interface levels.
9	QREF0	Output		Single-ended RTC clock output. LVCMOS/LVTTL interface levels.
10, 11	V _{DDO_REF0} , V _{DDO_REF1}	Power		Output power supply for QREF0 and QREF1 outputs.
12	QREF1	Output		Single-ended reference clock output. LVCMOS/LVTTL interface levels.
13	REFOUT_SEL	Input	Pulldown	Selects the real-time clock output frequency as defined in Table 3B. LVCMOS/LVTTL interface levels.
14	GND_QA	Power		Power supply ground for QA outputs.
15	OE_B	Input	Pullup	Output enable for Bank QBx clock outputs. The output bank is placed in a high-impedance mode on disable. LVCMOS/LVTTL interface levels.
16	OE_A	Input	Pullup	Output enable for QA clock output. The QA output is placed in a high-impedance mode on disable. LVCMOS/LVTTL interface levels.
17	QA	Output		Single-ended system clock output. LVCMOS interface levels.
18	V _{DDO_A}	Power		Output power supply for QA clock output.
19	V _{DDO_B}	Power		Output power supply for Bank QBx clock outputs.
20, 21, 22	QB0, QB1, QB2	Output		Single-ended system clock outputs. LVCMOS/ LVTL interface levels.
23	GND_QB	Power		Power supply ground for QB outputs.
24	OE_C	Input	Pullup	Output enable for Bank C outputs. The output bank is placed in a high-impedance mode on disable. LVCMOS/LVTTL interface levels.
25, 30	V _{DDO_C}	Power		Output power supply for Bank QCx outputs.
26, 27, 28, 29	QC0, QC1, QC2, QC3	Output		Single-ended DDR clock outputs. LVCMOS/ LVTL interface levels.
31	GND_QC	Power		Power supply ground for QC outputs.
33	SCLK	Input		I ² C clock input. LVCMOS/LVTTL interface levels.
34	SDATA	Input		I ² C data input/ output. Input: LVCMOS/ LVTL interface levels. Output: open drain.
35	SSC_EN	Input	Pulldown	SSC control pin. SSC is enabled when SSC_EN is HIGH. LOW disables SSC. See Table 3C. LVCMOS/LVTTL interface levels.
36	SADR	Input	Pulldown	I ² C unique address select pin. LVCMOS/LVTTL interface levels.

Table 1. Pin Descriptions

Number	Name	Type		Description
37, 38, 39, 40	FSEL3, FSEL2, FSEL1, FSEL0	Input	Pulldown	Selects the System and DDR clock output frequencies as defined in Table 3A. LVCMOS/LVTTL interface levels. Overridden when in Frequency Margining mode (I ² C).
41	GND _A	Power		Power supply ground for PLL analog.
42	V _{DDA}	Power		Analog supply pin.
43	GND	Power		Power supply ground.
45	MR	Input	Pulldown	Master Reset. Forces QA, Bank B and Bank C outputs to a logic low. Does not affect REF_OUT. LVCMOS/LVTTL interface levels.
46	PLL_SEL	Input	Pullup	Selects the clock signal that drives the output banks. When LOW, deselects the PLL (PLL Bypass). When HIGH, selects the PLL (PLL enable). LVCMOS/LVTTL interface levels.
47	REF_SEL	Input	Pulldown	Select input for XTAL (LOW) or PCLK, nPCLK (HIGH). LVCMOS/LVTTL interface levels.
48	GND_XTAL	Power		Power supply ground for XTAL.

NOTE: *Pullup* and *Pulldown* refer to internal input resistors. See Table 2, *Pin Characteristics*, for typical values.

Table 2. Pin Characteristics

Symbol	Parameter		Test Conditions	Minimum	Typical	Maximum	Units
C _{IN}	Input Capacitance	SSC_EN, SADR, MR, REFOUT_SEL, OE_REF, FSEL[3:0], REF_SEL, PLL_SEL, OE_A, OE_B, OE_C			4		pF
C _{PD}	Power Dissipation Capacitance (per output)		V _{DDO_X} = 3.465V		15		pF
			V _{DDO_X} = 2.625V		14		pF
			V _{DDO_X} = 1.89V		14		pF
R _{PULLUP}	Input Pullup Resistor				51		kΩ
R _{PULLDOWN}	Input Pulldown Resistor				51		kΩ
R _{OUT}	Output Impedance		V _{DDO_X} = 3.3V±5%		15		Ω
			V _{DDO_X} = 2.5V±5%		19		Ω
			V _{DDO_X} = 1.8V±5%		28		Ω

NOTE: V_{DDO_X} denotes, V_{DDO_A}, V_{DDO_B}, V_{DDO_C}, V_{DDO_REF0}, V_{DDO_REF1}.

Function Tables

Table 3A. System & DDR Clock Output Frequency Select Table, FM_EN = "0"

XTAL (MHz)	FSEL[3:0]	System Clocks (MHz) QA & QB[2:0]	DDR Clocks (MHz) QC[3:0]
25	0000 (default)	66.67	66.67
25	0001	66.67	100
25	0010	66.67	125
25	0011	66.67	133.33
25	0100	100	66.67
25	0101	100	100
25	0110	100	125
25	0111	100	133.33
25	1000	125	66.67
25	1001	125	100
25	1010	125	125
25	1011	125	133.33
25	1100	133.33	66.67
25	1101	133.33	100
25	1110	133.33	125
25	1111	133.33	133.33

Table 3B. RTC Output Frequency Select Table

XTAL (MHz)	REFOUT_SEL	Output Divider	QREF0 (MHz)	QREF1 (MHz)
25	0 (default)	÷8	3.125	25
25	1	÷16	1.5625	25

Table 3C. SSC Control Settings

XTAL (MHz)	SSC_EN	SSC Profile
25	0 (default)	SSC Off
25	1*	Typical -0.5% down-spread, 30kHz – 32kHz, triangular waveform

NOTE: *SSC_EN = 1. Disables M divider programming when frequency margining is also enabled. N divider programming is still available.

Principles of Operation

Output frequencies are synthesized from an external 25MHz LVPECL or crystal (f_{XTAL}) input. The device contains a 11-bit PLL feedback divider (M) with a prescaler (P) and an 7-bit output divider (N). The output frequency f_{OUT} is calculated using the following equation:

$$f_{OUT} = f_{XTAL} \cdot \frac{M}{P \cdot N}$$

or

$$f_{OUT} = PCLK \cdot \frac{M}{P \cdot N}$$

The M and N PLL-dividers have corresponding I²C registers. These registers can be directly programmed to allow for frequency margining. (See Tables 4E, 4F, 4G, & 4H).

Each I²C configuration register has a default setting determined by the FSEL[3:0] strap pins. The default setting is automatically loaded into the registers (defined in Table 4D) at power up and with the release of MR.

Frequency Margining

The M and N registers are normally configured at power up by the state of the FSEL[3:0] pins. These registers can be overwritten by setting the FM_EN bit to a 1 and then directly writing desired values to the M and N registers. Frequency margining is only allowed with SSC disabled. Enabling SSC will block direct user programming of the M and N registers. See Tables 4F, 4G and 4H for M and N divider coding.

Register Settings

Table 4A. I²C Device Slave Address

1	1	0	0	0	0	SADR	R/W
---	---	---	---	---	---	------	-----

Table 4B. Block Write Operation

Description	START	Slave Address	Write Bit R/W(0)	ACK	Register Byte Pointer (BP)	ACK	Data Byte (for Register BP)	ACK	Data Byte (for Register BP+1)	ACK	Data Byte (for Register BP+...)	ACK	STOP
Length (bits)	1	7	1	1	8	1	8	1	8	1	8	1	1

Table 4C. Block Read Operation

Description	START	Slave Address	Read Bit R/W(1)	ACK	Register Byte Pointer (BP)	ACK	Data Byte (for Register BP)	ACK	Data Byte (for Register BP+1)	ACK	Data Byte (for Register BP+...)	ACK	STOP
Length (bits)	1	7	1	1	8	1	8	1	8	1	8	1	1

Table 4D. I²C Register Map

Register Byte	Binary Register Address	Power Up Default D[7:0]		Register Bit							
		Binary	Decimal	D7	D6	D5	D4	D3	D2	D1	D0
0	00000000	00011110	N1 = 30	Reserved	N1[6]	N1[5]	N1[4]	N1[3]	N1[2]	N1[1]	Reserved
1	00000001	00011110	N2 = 30	Reserved	N2[6]	N2[5]	N2[4]	N2[3]	N2[2]	N2[1]	Reserved
2	00000010	01010000	M = 640	M[10]	M[9]	M[8]	M[7]	M[6]	M[5]	M[4]	M[3]
3	00000011	00000000		M[2]	M[1]	M[0]	FM_EN	Reserved	Reserved	QREF1 Disabled	QREF0 Disabled
4	00000100	00001011	11	QC3 Disabled	QC2 Disabled	QC1 Disabled	QC0 Disabled	Reserved	Reserved	Reserved	Reserved

NOTE: The QREF[0:1], QCx disable bits can be programmed at any time to override and disable the OE_REF and OE_QC per individual outputs. This can be done whether SSC_OFF frequency margining is enabled or disabled. If the OE_REF or OE_QC are set to disable their respective outputs, the I²C bits cannot enable their respective outputs.

Table 4E. I²C Register Function Descriptions

Bits	Name	Function
M[10:0]	Integer Feedback Divider Register	Sets the feedback divider value. Can be set to a value of 4 to 1023. The minimum feedback value is 4. Programming 0x04 would yield a feedback divider of ÷4, 0x05 = ÷5, etc. It should also be noted that with a reference of 25MHz and internally fixed Pre-divider of 8, the values loaded into this register should be between 640 and 768 inclusively in order to remain at or above the minimum VCO frequency of 2.0GHz and at or below the maximum VCO frequency of 2.4GHz.
N1[7:0]	Output Divider Register	Sets the output divider for output banks A and B. See Tables 4G and 4H for the output divider coding.
N2[7:0]	Output Divider Register	Sets the output divider for output bank C. See Table 4G and 4H for the output divider coding.
FM_EN	Frequency Margin Enable Bit	This bit must be set to "1" in order to enable frequency margining using Bytes [3:0]. Spread spectrum must also be OFF in order to use frequency margining.

Table 4F. PLL Feedback (M) Divider Coding for frequency margin mode, FM_EN = "1"

Register Bit M[10:0]	
Binary	Decimal
0110000000	768
0101111111	767
0101111110	766
.....	<M, M+/-1, M+/-2,>
0101000010	642
0101000001	641
0101000000	640

Table 4G. PLL Feedback (M) and Output (N) Divider Coding for frequency margin mode, FM_EN = "1"

XTAL or PCLK (MHz)	Pre-scaler (P)	Register Bit		M Divider	Nx Divider	fVCO (MHz)	f _{OUT} (MHz)
		M[10:0]	Nx[6:0]				
25	8	0110000000	0001100	768	12	2400	200.00
25	8	0101000000	0001100	640	12	2000	166.67
25	8	0110000000	0001110	768	14	2400	171.43
25	8	0101000000	0001110	640	14	2000	142.86
25	8	0110000000	0010000	768	16	2400	150.00
25	8	0101000000	0010000	640	16	2000	125.00
25	8	0110000000	0010010	768	18	2400	133.33
25	8	0101000000	0010010	640	18	2000	111.11
25	8	0110000000	0010100	768	20	2400	120.00
25	8	0101000000	0010100	640	20	2000	100.00
25	8	0110000000	0011000	768	24	2400	100.00
25	8	0101000000	0011000	640	24	2000	83.33
25	8	0110000000	0011100	768	28	2400	85.71
25	8	0101000000	0011100	640	28	2000	71.43
25	8	0110000000	0100000	768	32	2400	75.00
25	8	0101000000	0100000	640	32	2000	62.50
25	8	0110000000	0100110	768	38	2400	63.16
25	8	0101000000	0100110	640	38	2000	52.63
25	8	0110000000	0101100	768	44	2400	54.55
25	8	0101000000	0101100	640	44	2000	45.45
25	8	0110000000	0110100	768	52	2400	46.15
25	8	0101000000	0110100	640	52	2000	38.46
25	8	0110000000	0111110	768	62	2400	38.71
25	8	0101000000	0111110	640	62	2000	32.26
25	8	0110000000	1001000	768	72	2400	33.33
25	8	0101000000	1001000	640	72	2000	27.78
25	8	0110000000	1010000	768	80	2400	30.00
25	8	0101000000	1010000	640	80	2000	25.00

NOTE: x = 1 or 2.

NOTE: Nx Divider can only be even numbers 10 through 126.

NOTE: M and Nx dividers can be programmed to achieve granularity of 0.312MHz or finer.

Table 4H. PLL Output Divider (N) Coding for frequency margin mode, FM_EN = "1"

Register Bit	Nx Divider	Output Frequency Range	
		f _{OUT,MIN} (MHz)	f _{OUT,MAX} (MHz)
Nx[6:0]			
0001100	12	166.67	200.00
0001110	14	142.86	171.43
0010000	16	125.00	150.00
0010010	18	111.11	133.33
0010100	20	100.00	120.00
0011000	24	83.33	100.00
0011100	28	71.43	85.71
0100000	32	62.50	75.00
0100110	38	52.63	63.16
0101100	44	45.45	54.55
0110100	52	38.46	46.15
0111110	62	32.26	38.71
1001000	72	27.78	33.33
1010000	80	25.00	30.00

NOTE: x = 1 or 2.

NOTE: Nx Divider can only be even numbers 10 through 126.

NOTE: M and Nx dividers can be programmed to achieve granularity of 0.312MHz or finer.

Absolute Maximum Ratings

NOTE: Stresses beyond those listed under *Absolute Maximum Ratings* may cause permanent damage to the device. These ratings are stress specifications only. Functional operation of product at these conditions or any conditions beyond those listed in the *DC Characteristics* or *AC Characteristics* is not implied. Exposure to absolute maximum rating conditions for extended periods may affect product reliability.

Item	Rating
Supply Voltage, V_{DD}	3.63V
Inputs, V_I XTAL_IN Other Inputs	0V to 2V -0.5V to $V_{DD} + 0.5V$
Outputs, V_O	-0.5V to $V_{DDO_X} + 0.5V$
Junction Temperature, T_J	125°C
Storage Temperature, T_{STG}	-65°C to 150°C

NOTE: V_{DDO_X} denotes, V_{DDO_A} , V_{DDO_B} , V_{DDO_C} , V_{DDO_REF0} , V_{DDO_REF1} .

DC Electrical Characteristics

Table 5A. Power Supply DC Characteristics, $V_{DD} = V_{DDXTAL} = 3.3V \pm 5\%$, $V_{DDO_X} = 3.3V \pm 5\%$, $T_A = -40^\circ\text{C}$ to 85°C

Symbol	Parameter	Test Conditions	Minimum	Typical	Maximum	Units
V_{DD}	Power Supply Voltage		3.135	3.3	3.465	V
V_{DDXTAL}	XTAL Power Supply Voltage		3.135	3.3	3.465	V
V_{DDA}	Analog Supply Voltage		$V_{DD} - 0.064$	3.3	V_{DD}	V
V_{DDO_X}	Output Supply Voltage		3.135	3.3	3.465	V
I_{DD}	Power Supply Current			136	149	mA
I_{DDXTAL}	XTAL Power Supply Current			40	44	mA
I_{DDA}	Analog Supply Current			27	32	mA
I_{DDO_X}	Output Supply Current	Outputs in High-Impedance		1	3	mA

NOTE: V_{DDO_X} denotes, V_{DDO_A} , V_{DDO_B} , V_{DDO_C} , V_{DDO_REF0} , V_{DDO_REF1} .

NOTE: I_{DDO_X} denotes, $I_{DDO_A} + I_{DDO_B} + I_{DDO_C} + I_{DDO_REF0} + I_{DDO_REF1}$.

Table 5B. Power Supply DC Characteristics, $V_{DD} = V_{DDXTAL} = 3.3V \pm 5\%$, $V_{DDO_X} = 2.5V \pm 5\%$, $T_A = -40^\circ\text{C}$ to 85°C

Symbol	Parameter	Test Conditions	Minimum	Typical	Maximum	Units
V_{DD}	Power Supply Voltage		3.135	3.3	3.465	V
V_{DDXTAL}	XTAL Power Supply Voltage		3.135	3.3	3.465	V
V_{DDA}	Analog Supply Voltage		$V_{DD} - 0.064$	3.3	V_{DD}	V
V_{DDO_X}	Output Supply Voltage		2.375	2.5	2.625	V
I_{DD}	Power Supply Current			136	149	mA
I_{DDXTAL}	XTAL Power Supply Current			40	44	mA
I_{DDA}	Analog Supply Current			27	32	mA
I_{DDO_X}	Output Supply Current	Outputs in High-Impedance		1	3	mA

NOTE: V_{DDO_X} denotes, V_{DDO_A} , V_{DDO_B} , V_{DDO_C} , V_{DDO_REF0} , V_{DDO_REF1} .

NOTE: I_{DDO_X} denotes, $I_{DDO_A} + I_{DDO_B} + I_{DDO_C} + I_{DDO_REF0} + I_{DDO_REF1}$.

Table 5C. Power Supply DC Characteristics, $V_{DD} = V_{DDXTAL} = 3.3V \pm 5\%$, $V_{DDO_X} = 1.8V \pm 5\%$, $T_A = -40^\circ C$ to $85^\circ C$

Symbol	Parameter	Test Conditions	Minimum	Typical	Maximum	Units
V_{DD}	Power Supply Voltage		3.135	3.3	3.465	V
V_{DDXTAL}	XTAL Power Supply Voltage		3.135	3.3	3.465	V
V_{DDA}	Analog Supply Voltage		$V_{DD} - 0.064$	3.3	V_{DD}	V
V_{DDO_X}	Output Supply Voltage		1.71	1.8	1.89	V
I_{DD}	Power Supply Current			136	149	mA
I_{DDXTAL}	XTAL Power Supply Current			40	44	mA
I_{DDA}	Analog Supply Current			27	32	mA
I_{DDO_X}	Output Supply Current	Outputs in High-Impedance		1	2	mA

 NOTE: V_{DDO_X} denotes, V_{DDO_A} , V_{DDO_B} , V_{DDO_C} , V_{DDO_REF0} , V_{DDO_REF1} .

 NOTE: I_{DDO_X} denotes, $I_{DDO_A} + I_{DDO_B} + I_{DDO_C} + I_{DDO_REF0} + I_{DDO_REF1}$
Table 5D. Power Supply DC Characteristics, $V_{DD} = V_{DDXTAL} = V_{DDO_X} = 2.5V \pm 5\%$, $T_A = -40^\circ C$ to $85^\circ C$

Symbol	Parameter	Test Conditions	Minimum	Typical	Maximum	Units
V_{DD}	Power Supply Voltage		2.375	2.5	2.625	V
V_{DDXTAL}	XTAL Power Supply Voltage		2.375	2.5	2.625	V
V_{DDA}	Analog Supply Voltage		$V_{DD} - 0.056$	2.5	V_{DD}	V
V_{DDO_X}	Output Supply Voltage		2.375	2.5	2.625	V
I_{DD}	Power Supply Current			135	147	mA
I_{DDXTAL}	XTAL Power Supply Current			39	43	mA
I_{DDA}	Analog Supply Current			24	28	mA
I_{DDO_X}	Output Supply Current	Outputs in High-Impedance		1	3	mA

 NOTE: V_{DDO_X} denotes, V_{DDO_A} , V_{DDO_B} , V_{DDO_C} , V_{DDO_REF0} , V_{DDO_REF1} .

 NOTE: I_{DDO_X} denotes, $I_{DDO_A} + I_{DDO_B} + I_{DDO_C} + I_{DDO_REF0} + I_{DDO_REF1}$.

Table 5E. Power Supply DC Characteristics, $V_{DD} = V_{DDXTAL} = 2.5V \pm 5\%$, $V_{DDO_X} = 1.8V \pm 5\%$, $T_A = -40^\circ C$ to $85^\circ C$

Symbol	Parameter	Test Conditions	Minimum	Typical	Maximum	Units
V_{DD}	Power Supply Voltage		2.375	2.5	2.625	V
V_{DDXTAL}	XTAL Power Supply Voltage		2.375	2.5	2.625	V
V_{DDA}	Analog Supply Voltage		$V_{DD} - 0.056$	2.5	V_{DD}	V
V_{DDO_X}	Output Supply Voltage		1.71	1.8	1.89	V
I_{DD}	Power Supply Current			135	147	mA
I_{DDXTAL}	XTAL Power Supply Current			39	43	mA
I_{DDA}	Analog Supply Current			24	28	mA
I_{DDO_X}	Output Supply Current	Outputs in High-Impedance		1	2	mA

 NOTE: V_{DDO_X} denotes, V_{DDO_A} , V_{DDO_B} , V_{DDO_C} , V_{DDO_REF0} , V_{DDO_REF1} .

 NOTE: I_{DDO_X} denotes, $I_{DDO_A} + I_{DDO_B} + I_{DDO_C} + I_{DDO_REF0} + I_{DDO_REF1}$.

Table 5F. LVCMOS/LVTTL DC Characteristics, $T_A = -40^{\circ}\text{C}$ to 85°C

Symbol	Parameter		Test Conditions	Minimum	Typical	Maximum	Units
V_{IH}	Input High Voltage		$V_{DD} = 3.3\text{V} \pm 5\%$	2		$V_{DD} + 0.3$	V
			$V_{DD} = 2.5\text{V} \pm 5\%$	1.7		$V_{DD} + 0.3$	V
V_{IL}	Input Low Voltage		$V_{DD} = 3.3\text{V} \pm 5\%$	-0.3		0.8	V
			$V_{DD} = 2.5\text{V} \pm 5\%$	-0.3		0.7	V
I_{IH}	Input High Current	REF_SEL, MR, FSEL[3:0], SSC_EN, REFOUT_SEL, SADR	$V_{DD} = V_{IN} = 3.465\text{V}$ or 2.625V			150	μA
		OE_A, OE_B, OE_C, OE_REF, PLL_SEL	$V_{DD} = V_{IN} = 3.465\text{V}$ or 2.625V			5	μA
I_{IL}	Input Low Current	REF_SEL, MR, FSEL[3:0], SSC_EN, REFOUT_SEL, SADR	$V_{DD} = 3.465\text{V}$ or 2.625V , $V_{IN} = 0\text{V}$	-5			μA
		OE_A, OE_B, OE_C, OE_REF, PLL_SEL	$V_{DD} = 3.465\text{V}$ or 2.625V , $V_{IN} = 0\text{V}$	-150			μA
V_{OH}	Output High Voltage		$V_{DDO_X} = 3.3\text{V} \pm 5\%$; $I_{OH} = -12\text{mA}$	2.6			V
			$V_{DDO_X} = 2.5\text{V} \pm 5\%$; $I_{OH} = -12\text{mA}$	1.8			V
			$V_{DDO_X} = 1.8\text{V} \pm 5\%$; $I_{OH} = -8\text{mA}$	1.3			V
V_{OL}	Output Low Voltage;		$V_{DDO_X} = 3.3\text{V} \pm 5\%$ or $2.5\text{V} \pm 5\%$, $I_{OL} = 12\text{mA}$			0.5	V
			$V_{DDO_X} = 1.8\text{V} \pm 5\%$, $I_{OL} = 8\text{mA}$			0.4	V

 NOTE: V_{DDO_X} denotes, V_{DDO_A} , V_{DDO_B} , V_{DDO_C} , V_{DDO_REF0} , V_{DDO_REF1} .

Table 5G. LVPECL DC Characteristics, $V_{DD} = V_{DDXTAL} = 3.3\text{V} \pm 5\%$ or $2.5\text{V} \pm 5\%$, $T_A = -40^{\circ}\text{C}$ to 85°C

Symbol	Parameter		Test Conditions	Minimum	Typical	Maximum	Units
I_{IH}	Input High Current	PCLK, nPCLK	$V_{DD} = V_{IN} = 3.465\text{V}$			150	μA
I_{IL}	Input Low Current	PCLK	$V_{DD} = 3.465\text{V}$, $V_{IN} = 0\text{V}$	-5			μA
		nPCLK	$V_{DD} = 3.465\text{V}$, $V_{IN} = 0\text{V}$	-150			μA
V_{PP}	Peak-to-Peak Voltage; NOTE 2			0.3		1.0	V
V_{CMR}	Common Mode Input Voltage; NOTE 1, 2			GND + 1.5		V_{DD}	V

 NOTE 1: Common mode voltage is defined as V_{IH} .

 NOTE 2: V_{IL} should not be less than -0.3V and V_{IH} should not be greater than V_{DD} .

Table 6. Input Frequency Characteristics, $V_{DD} = V_{DDXTAL} = 3.3V \pm 5\%$ or $2.5V \pm 5\%$, $T_A = -40^{\circ}C$ to $85^{\circ}C$

Symbol	Parameter	Test Conditions	Minimum	Typical	Maximum	Units
f_{IN}	Input Frequency	XTAL_IN, XTAL_OUT		25		MHz
		PCLK, nPCLK	PLL Bypass	25	150	MHz

Table 7. Crystal Characteristics

Parameter	Test Conditions	Minimum	Typical	Maximum	Units
Mode of Oscillation		Fundamental			
Frequency			25		MHz
Equivalent Series Resistance (ESR)				50	Ω
Shunt Capacitance				7	pF
Capacitive Loading (C_L)			12	18	pF

AC Electrical Characteristics

Table 8A. AC Characteristics (QA, QBx, QCx), $V_{DD} = V_{DDXTAL} = 3.3V \pm 5\%$ or $2.5V \pm 5\%$, $V_{DDO_A}, V_{DDO_B}, V_{DDO_C} = 3.3V \pm 5\%$ or $2.5V \pm 5\%$ or $1.8V \pm 5\%$, $T_A = -40^{\circ}C$ to $85^{\circ}C$

Symbol	Parameter	Test Conditions	Minimum	Typical	Maximum	Units
f_{OUT}	Output Frequency		25		200	MHz
$t_{sk(b)}$	Bank Skew; NOTE 1, 2, 4				70	ps
$(\Phi)_N$	Single Side-Band Phase Noise; NOTE 4	Offset from Carrier: 500kHz		-140		dBc
$f_{jit(cc)}$	Cycle-to-Cycle Jitter; NOTE 1, 3, 4	$V_{DDO} = 3.3V$	FSEL[3:0] = 0000, 0010, 0011, 0100, 0101, 0110, 1001, 1010, 1101, 1111	90	300	ps
			FSEL[3:0] = 0001, 0111, 1000, 1011, 1100, 1110	260	530	ps
		$V_{DDO} = 2.5V$	FSEL[3:0] = 0000, 0010, 0011, 0100, 0101, 0110, 1001, 1010, 1101, 1111	60	250	ps
			FSEL[3:0] = 0001, 0111, 1000, 1011, 1100, 1110	200	400	ps
		$V_{DDO} = 1.8V$	FSEL[3:0] = 0000, 0010, 0011, 0100, 0101, 0110, 1001, 1010, 1101, 1111	60	200	ps
			FSEL[3:0] = 0001, 0111, 1000, 1011, 1100, 1110	175	350	ps
$f_{jit(per)}$	Period Jitter, Peak; NOTE 1, 3, 4	$V_{DDO} = 3.3V$	FSEL[3:0] = 0000, 0010, 0011, 0100, 0101, 0110, 1001, 1010, 1101, 1111		± 150	ps
			FSEL[3:0] = 0001, 0111, 1000, 1011, 1100, 1110		± 265	ps
		$V_{DDO} = 2.5V$	FSEL[3:0] = 0000, 0010, 0011, 0100, 0101, 0110, 1001, 1010, 1101, 1111		± 125	ps
			FSEL[3:0] = 0001, 0111, 1000, 1011, 1100, 1110		± 200	ps
		$V_{DDO} = 1.8V$	FSEL[3:0] = 0000, 0010, 0011, 0100, 0101, 0110, 1001, 1010, 1101, 1111		± 100	ps
			FSEL[3:0] = 0001, 0111, 1000, 1011, 1100, 1110		± 175	ps
t_L	PLL Lock Time; NOTE 4				50	ms
odc	Output Duty Cycle; NOTE 4		40		60	%
$t_{sl(o)}$	Slew Rate; NOTE 4	$V_{DDO} = 3.3V; 0.35V_{DDO} - 0.65V_{DDO}$	2.0	4.4	7.0	V/ns
		$V_{DDO} = 2.5V; 0.35V_{DDO} - 0.65V_{DDO}$	1.0	2.9	4.0	V/ns
		$V_{DDO} = 1.8V; 0.35V_{DDO} - 0.65V_{DDO}$	0.7	1.5	2.2	V/ns

NOTE: Electrical parameters are guaranteed over the specified ambient operating temperature range, which is established when the device is mounted in a test socket with maintained transverse airflow greater than 500 lpm. The device will meet specifications after thermal equilibrium has been reached under these conditions.

NOTE: $V_{DDO} \leq V_{DD}$.

NOTE 1: This parameter is defined in accordance with JEDEC Standard 65.

NOTE 2: Defined as skew within a bank of outputs at the same supply voltage and with equal load conditions.

NOTE 3: Jitter performance using XTAL inputs.

NOTE 4: Characterized for frequencies in Table 3A.

Table 8B. AC Characteristics (QREF[0:1]), $V_{DD} = V_{DDXTAL} = 3.3V \pm 5\%$ or $2.5V \pm 5\%$, V_{DDO_REF0} , $V_{DDO_REF1} = 3.3V \pm 5\%$ or $2.5V \pm 5\%$ or $1.8V \pm 5\%$, $T_A = -40^\circ\text{C}$ to 85°C

Symbol	Parameter	Test Conditions	Minimum	Typical	Maximum	Units	
f_{OUT}	Output Frequency; NOTE 1	QREF0	1.5625		3.125	MHz	
		QREF1		25		MHz	
$f_{jit}(\theta)$	RMS Phase Jitter (Random); NOTE 1, 2	QREF1 $f_{OUT} = 25\text{MHz}$, Integration Range: 12kHz to 5MHz		0.218	0.312	ps	
odc	Output Duty Cycle; NOTE 3		40		60	%	
$t_{sl(o)}$	Slew Rate	QREF1, $f_{OUT} = 25\text{MHz}$	$V_{DDO} = 3.3V; 0.35V_{DDO} - 0.65V_{DDO}$	2.0	5.4	8.0	V/ns
			$V_{DDO} = 2.5V; 0.35V_{DDO} - 0.65V_{DDO}$	2.0	3.5	5.0	V/ns
			$V_{DDO} = 1.8V; 0.35V_{DDO} - 0.65V_{DDO}$	1.0	1.7	3.0	V/ns

NOTE: Electrical parameters are guaranteed over the specified ambient operating temperature range, which is established when the device is mounted in a test socket with maintained transverse airflow greater than 500 lfm. The device will meet specifications after thermal equilibrium has been reached under these conditions.

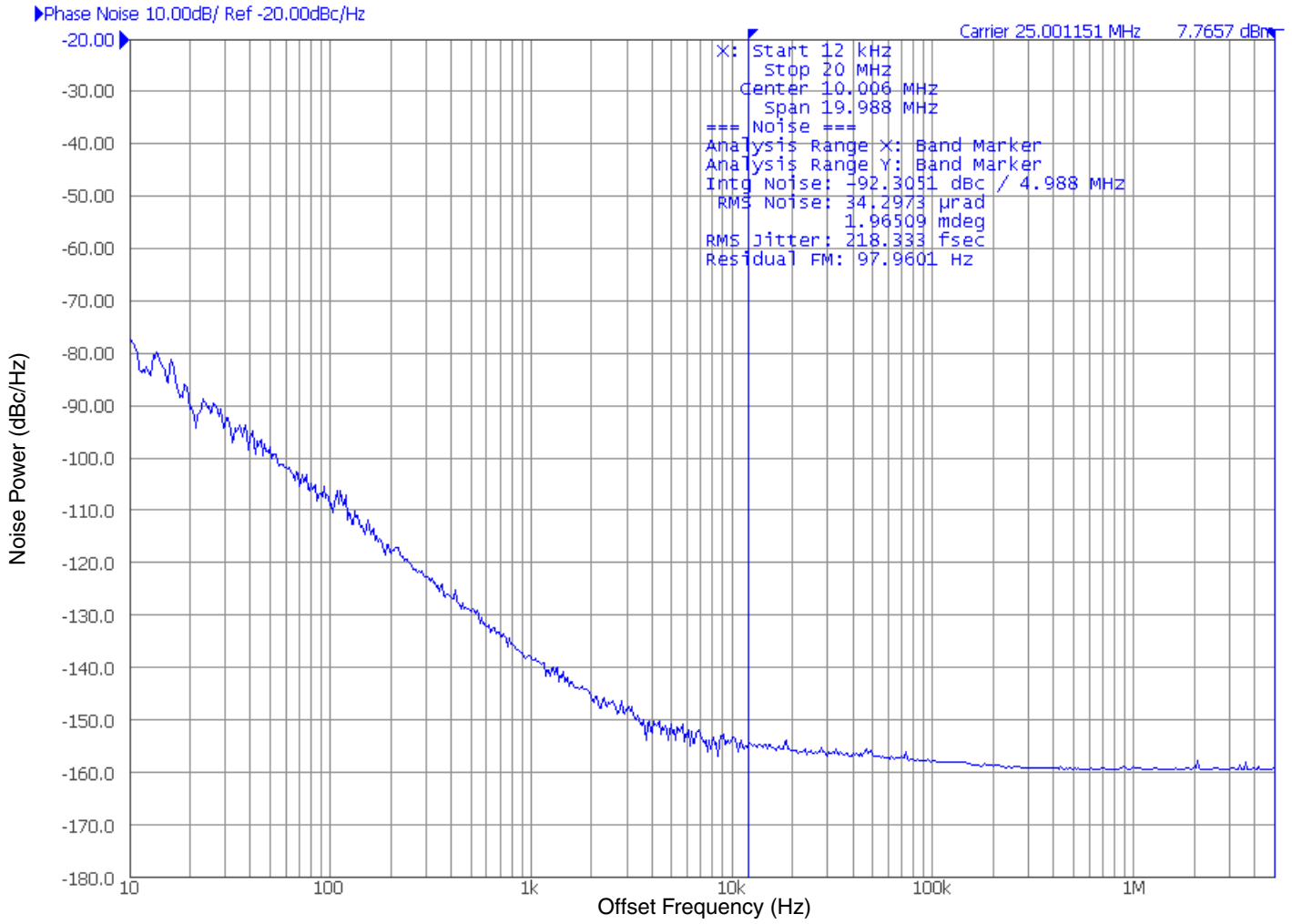
NOTE: $V_{DDO} \leq V_{DD}$.

NOTE 1: Crystal oscillator selected as frequency source.

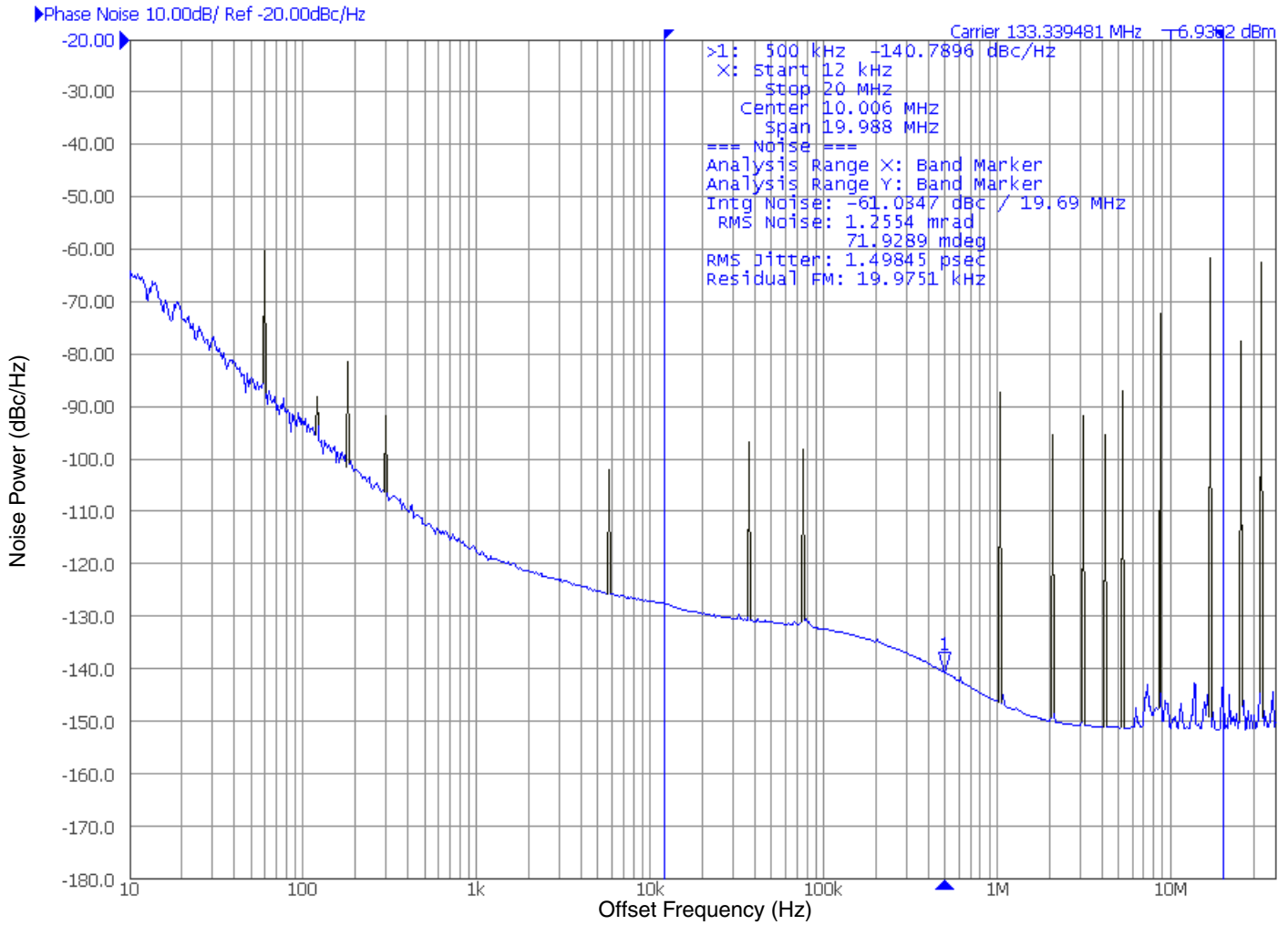
NOTE 2: Refer to phase noise plot. Only applies to QREF1.

NOTE 3: Input duty cycle must be 50%.

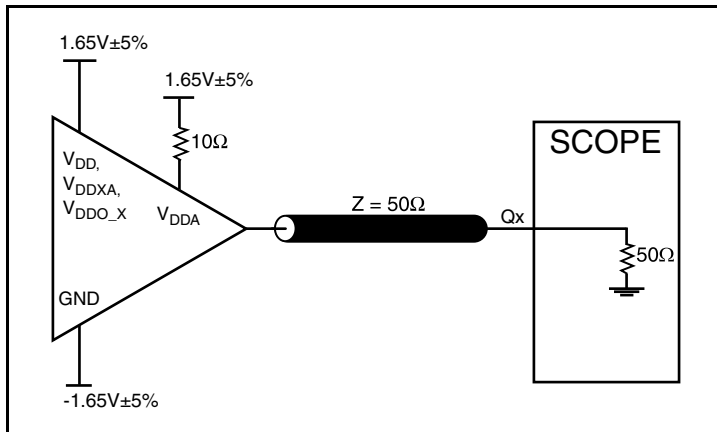
Typical Phase Noise at 25MHz (QREF1 output at 3.3V)



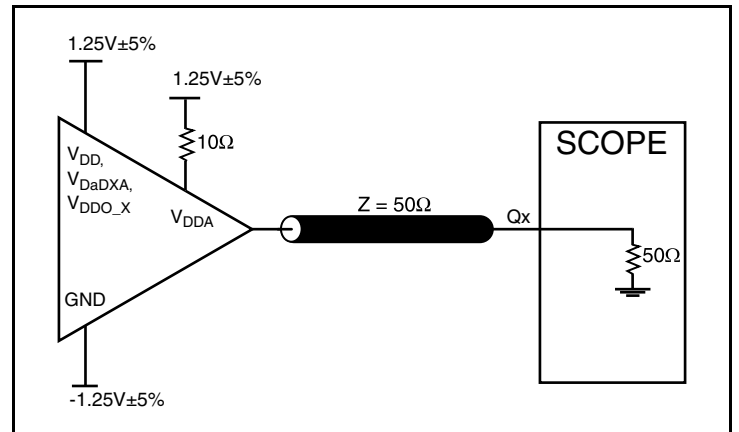
Typical Single-side Band Phase Noise (QB output at 3.3V)



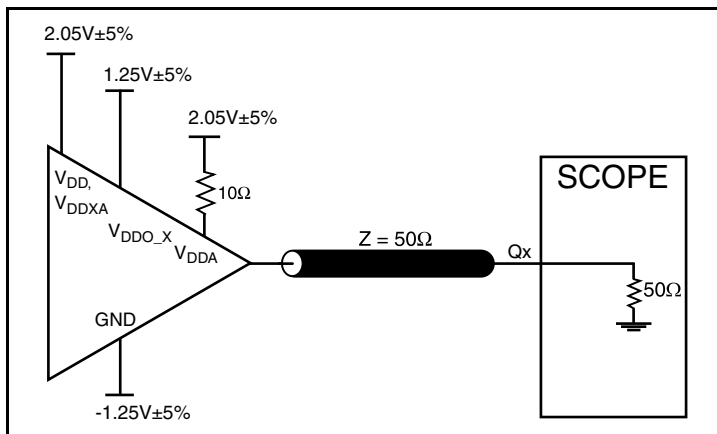
Parameter Measurement Information



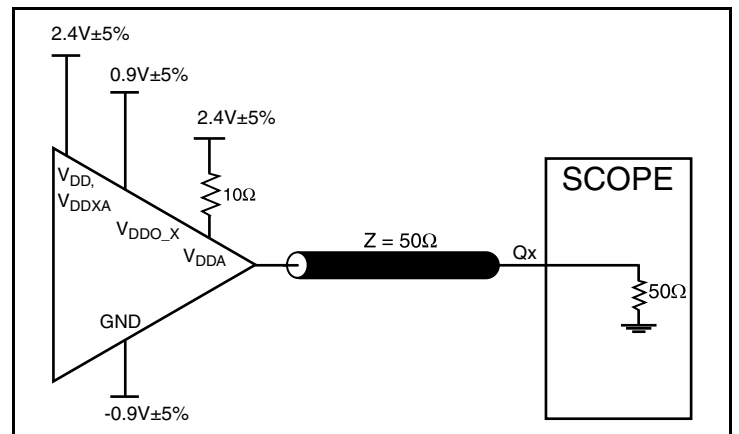
3.3V Core/3.3V LVCMOS Output Load Test Circuit



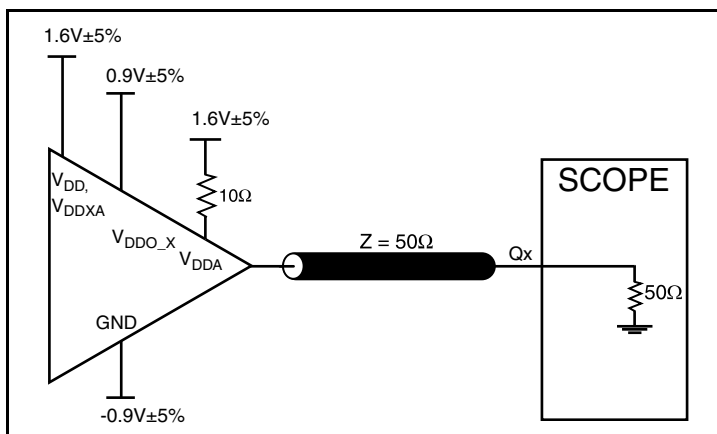
2.5V Core/2.5V LVCMOS Output Load Test Circuit



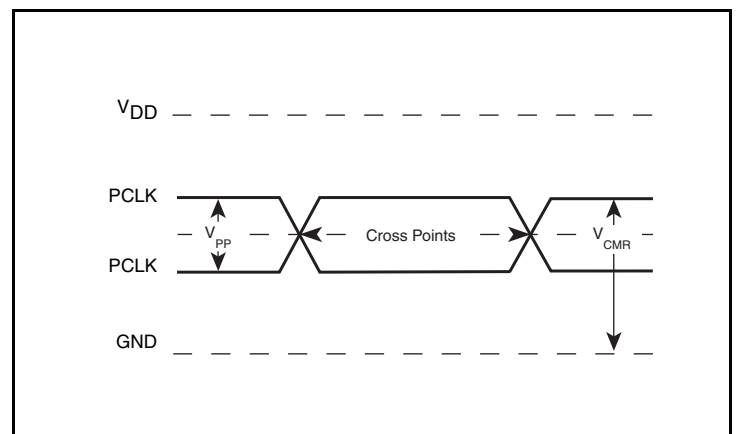
3.3V Core/2.5V LVCMOS Output Load Test Circuit



3.3V Core/1.8V LVCMOS Output Load Test Circuit

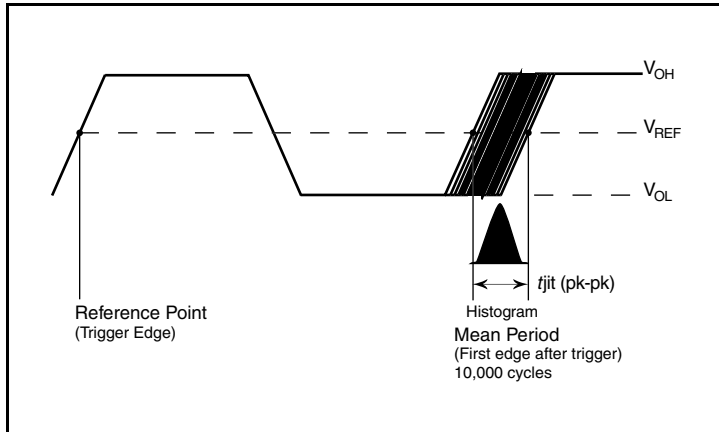


2.5V Core/1.8V LVCMOS Output Load Test Circuit

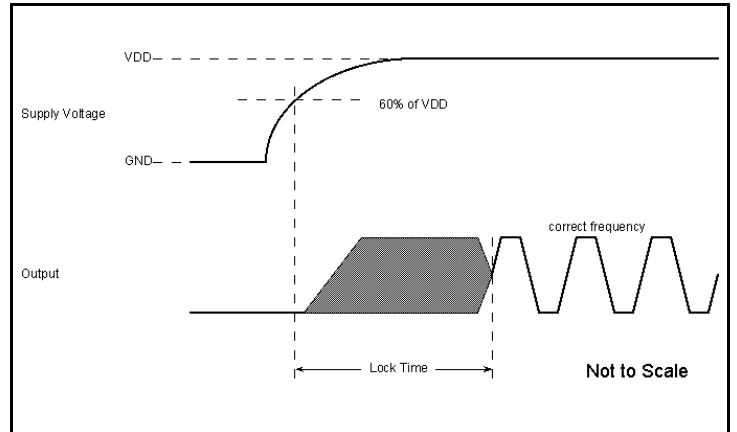


Differential Input Level

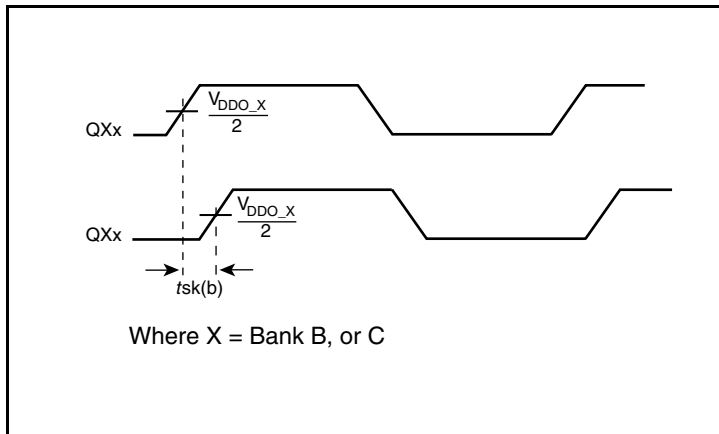
Parameter Measurement Information, continued



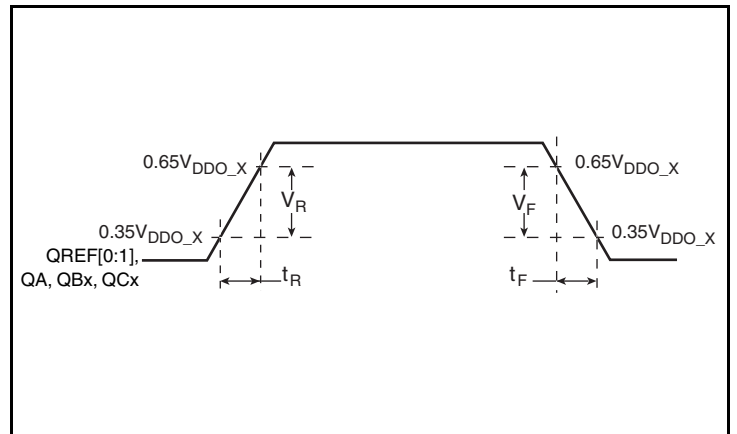
RMS Period Jitter, Peak-to-Peak



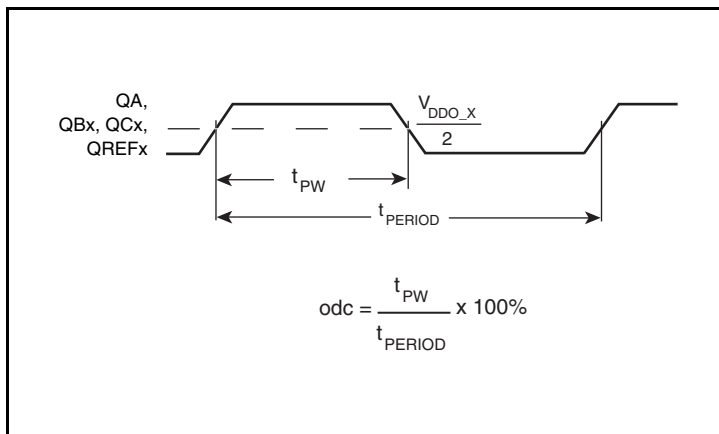
PLL Lock Time



Bank Skew



Slew Rate



Output Duty Cycle/Pulse Width/Period

Applications Information

Recommendations for Unused Input and Output Pins

Inputs:

LVC MOS Control Pins

All control pins have internal pullups or pulldowns; additional resistance is not required but can be added for additional protection. A 1k Ω resistor can be used.

PCLK/nPCLK Inputs

For applications not requiring the use of the differential input, both PCLK and nPCLK can be left floating. Though not required, but for additional protection, a 1k Ω resistor can be tied from PCLK to ground.

Crystal Inputs

For applications not requiring the use of the crystal oscillator input, both XTAL_IN and XTAL_OUT can be left floating. Though not required, but for additional protection, a 1k Ω resistor can be tied from XTAL_IN to ground.

Outputs:

LVC MOS Outputs

All unused LVC MOS outputs can be left floating. There should be no trace attached.

Overdriving the XTAL Interface

The XTAL_IN input can be overdriven by an LVCMOS driver or by one side of a differential driver through an AC coupling capacitor. The XTAL_OUT pin can be left floating. The amplitude of the input signal should be between 500mV and 1.8V and the slew rate should not be less than 0.2V/ns. For 3.3V LVCMOS inputs, the amplitude must be reduced from full swing to at least half the swing in order to prevent signal interference with the power rail and to reduce internal noise. *Figure 1A* shows an example of the interface diagram for a high speed 3.3V LVCMOS driver. This configuration requires that the sum of the output impedance of the driver (R_o) and the series resistance (R_s) equals the transmission line impedance. In addition, matched termination at the crystal input will attenuate the signal in half. This

can be done in one of two ways. First, R_1 and R_2 in parallel should equal the transmission line impedance. For most 50Ω applications, R_1 and R_2 can be 100Ω. This can also be accomplished by removing R_1 and changing R_2 to 50Ω. The values of the resistors can be increased to reduce the loading for a slower and weaker LVCMOS driver. *Figure 1B* shows an example of the interface diagram for an LVPECL driver. This is a standard LVPECL termination with one side of the driver feeding the XTAL_IN input. It is recommended that all components in the schematics be placed in the layout. Though some components might not be used, they can be utilized for debugging purposes. The datasheet specifications are characterized and guaranteed by using a quartz crystal as the input.

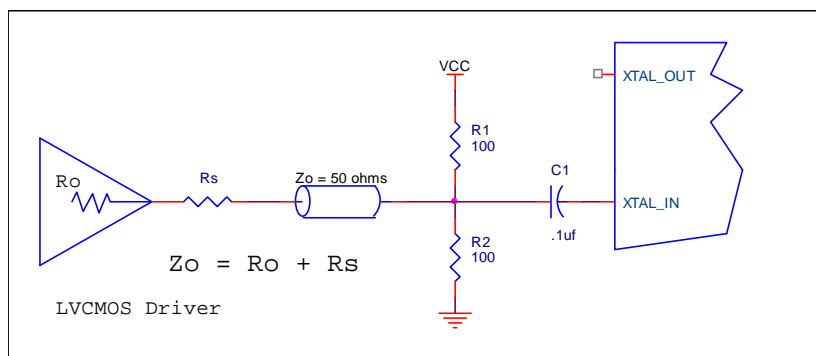


Figure 1A. General Diagram for LVCMOS Driver to XTAL Input Interface

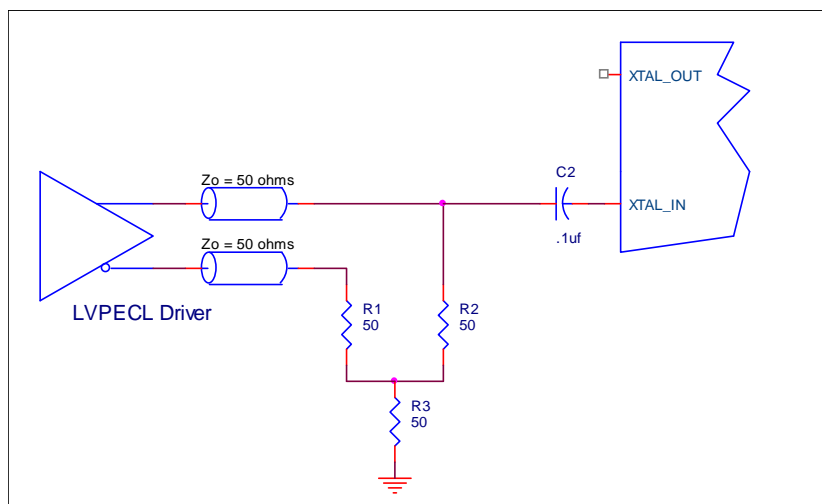


Figure 1B. General Diagram for LVPECL Driver to XTAL Input Interface

LVPECL Clock Input Interface

The PCLK/nPCLK accepts LVPECL and other differential signals. Both V_{SWING} and V_{OH} must meet the V_{PP} and V_{CMR} input requirements. *Figures 2A to 2B* show interface examples for the PCLK/nPCLK input driven by the most common driver types. The

input interfaces suggested here are examples only. If the driver is from another vendor, use their termination recommendation. Please consult with the vendor of the driver component to confirm the driver termination requirements.

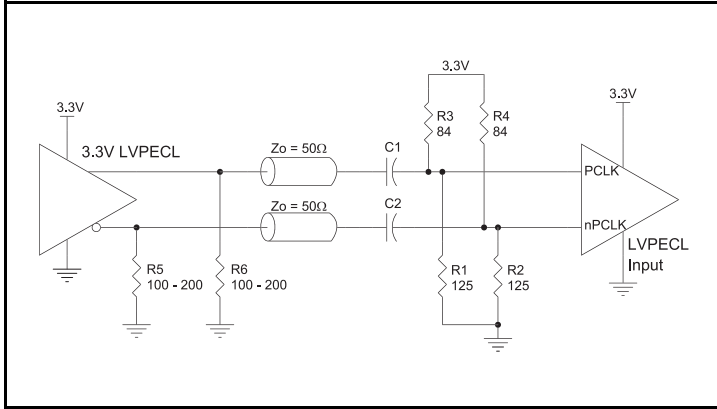


Figure 2A. PCLK/nPCLK Input Driven by a 3.3V LVPECL Driver with AC Couple

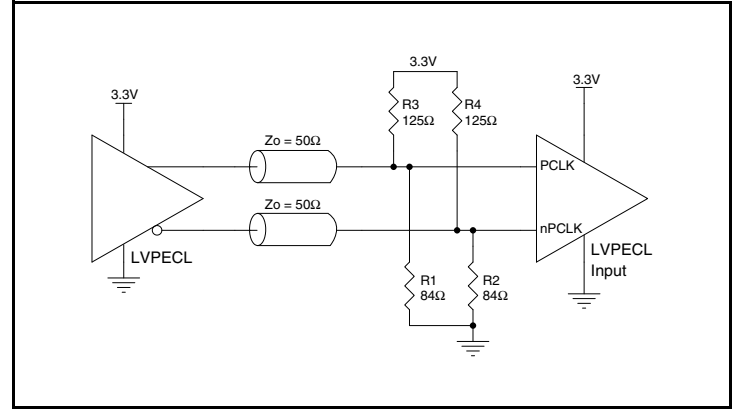


Figure 2B. PCLK/nPCLK Input Driven by a 3.3V LVPECL Driver

2.5V LVPECL Clock Input Interface

The PCLK/nPCLK accepts LVPECL and other differential signals. Both V_{SWING} and V_{OH} must meet the V_{PP} and V_{CMR} input requirements. *Figures 3A to 3B* show interface examples for the PCLK/nPCLK input driven by the most common driver types. The

input interfaces suggested here are examples only. If the driver is from another vendor, use their termination recommendation. Please consult with the vendor of the driver component to confirm the driver termination requirements.

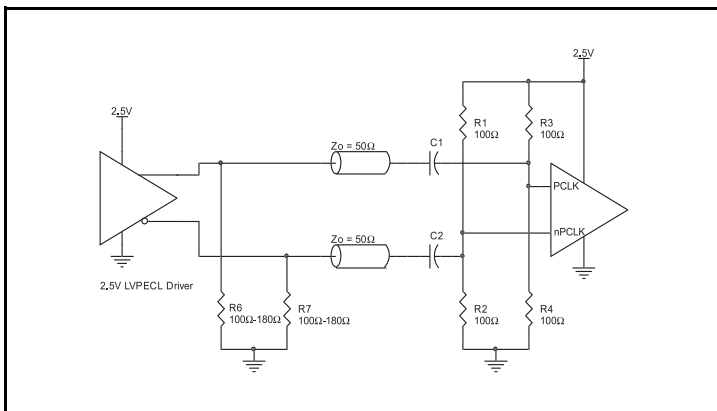


Figure 3A. PCLK/nPCLK Input Driven by a 2.5V LVPECL Driver with AC Couple

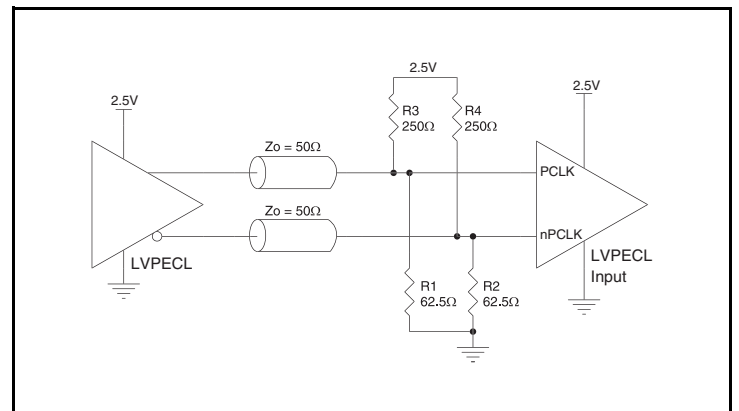


Figure 3B. PCLK/nPCLK Input Driven by a 2.5V LVPECL Driver

VFQFN EPAD Thermal Release Path

In order to maximize both the removal of heat from the package and the electrical performance, a land pattern must be incorporated on the Printed Circuit Board (PCB) within the footprint of the package corresponding to the exposed metal pad or exposed heat slug on the package, as shown in *Figure 4*. The solderable area on the PCB, as defined by the solder mask, should be at least the same size/shape as the exposed pad/slug area on the package to maximize the thermal/electrical performance. Sufficient clearance should be designed on the PCB between the outer edges of the land pattern and the inner edges of pad pattern for the leads to avoid any shorts.

While the land pattern on the PCB provides a means of heat transfer and electrical grounding from the package to the board through a solder joint, thermal vias are necessary to effectively conduct from the surface of the PCB to the ground plane(s). The land pattern must be connected to ground through these vias. The vias act as “heat pipes”. The number of vias (i.e. “heat pipes”) are application specific

and dependent upon the package power dissipation as well as electrical conductivity requirements. Thus, thermal and electrical analysis and/or testing are recommended to determine the minimum number needed. Maximum thermal and electrical performance is achieved when an array of vias is incorporated in the land pattern. It is recommended to use as many vias connected to ground as possible. It is also recommended that the via diameter should be 12 to 13mils (0.30 to 0.33mm) with 1oz copper via barrel plating. This is desirable to avoid any solder wicking inside the via during the soldering process which may result in voids in solder between the exposed pad/slug and the thermal land. Precautions should be taken to eliminate any solder voids between the exposed heat slug and the land pattern. Note: These recommendations are to be used as a guideline only. For further information, please refer to the Application Note on the Surface Mount Assembly of Amkor’s Thermally/Electrically Enhance Leadframe Base Package, Amkor Technology.

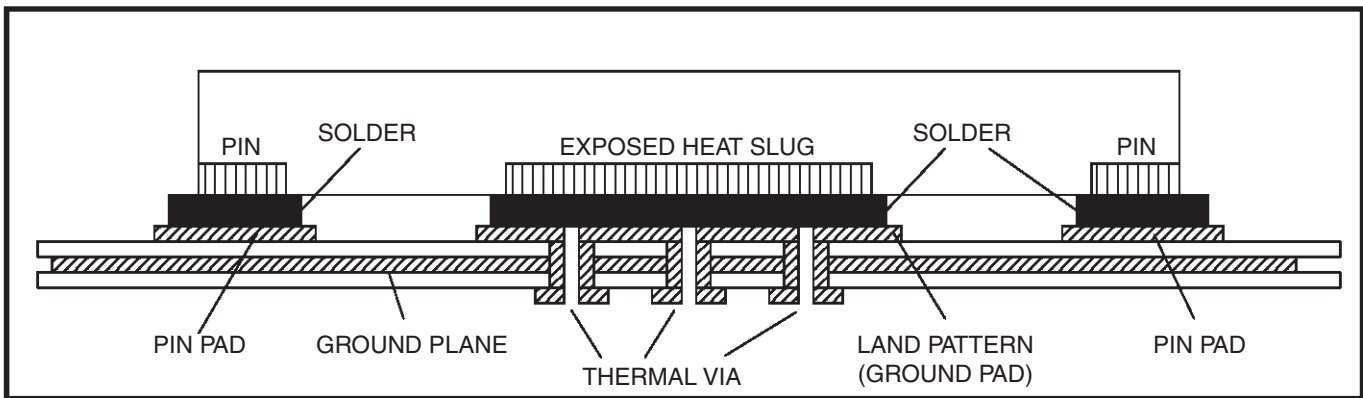


Figure 4. P.C. Assembly for Exposed Pad Thermal Release Path – Side View (drawing not to scale)

Schematic Layout

Figure 5 shows an example 840NT4 application schematic. This schematic example focuses on functional connections and is not configuration specific. Refer to the pin description and functional tables in the datasheet to ensure that the logic control inputs are properly set.

In this schematic, the device is operated at $V_{DD} = V_{DDA} = 2.5V$ and $V_{DDO_A}, V_{DDO_B}, V_{DDO_C}$ and $V_{DDO_REFx} = 1.8V$.

A 12pF parallel resonant 25MHz crystal is used with the recommended load capacitors $C1 = C2 = 3.3pF$ for frequency accuracy. Depending on the parasitic capacity on the crystal terminals of the printed circuit board layout, these values might require a slight adjustment to optimize the frequency accuracy. Crystals with other load capacitance specifications can be used. This will require adjusting C1 and C2. For this device, the crystal load capacitors are required for proper operation.

Crystal layout is very important to minimize capacitive coupling between the crystal pads and leads and other metal in the circuit board. Capacitive coupling to other conductors has two adverse effects; it reduces the oscillator frequency leaving less tuning margin and noise coupling from power planes and logic transitions on signal traces can pull the phase of the crystal resonance, inducing jitter. Routing I²C under the crystal is a very common layout error, based on the assumption that it is a low frequency signal and will not affect the crystal oscillation. In fact, I²C transition times are short enough to capacitively couple into the crystal if they are routed close enough to the crystal traces.

In layout, all capacitive coupling to the crystal from any signal trace is to be minimized, that is to the XTAL_IN and XTAL_OUT pins, traces to the crystal pads, the crystal pads and the tuning capacitors. Using a crystal on the top layer as an example, void all signal and power layers under the crystal connections between the top layer and the ground plane used by the 840NT4. Then calculate the parasitic capacity to the ground and determine if it is large enough to preclude tuning the oscillator. If the coupling is excessive, particularly if the first

layer under the crystal is a ground plane, a layout option is to void the ground plane and all deeper layers until the next ground plane is reached. The ground connection of the tuning capacitors should first be made between the capacitors on the top layer, then a single ground via is dropped to connect the tuning cap ground to the ground plane as close to the 840NT4 as possible as shown in the schematic.

This device package has an ePAD that is connected to ground internally. The ePAD is to be connected to V_{EE}/GND through vias in order to improve heat dissipation.

As with any high speed analog circuitry, the power supply pins are vulnerable to random noise. To achieve optimum jitter performance, power supply isolation is required. The 840NT4 provides separate power supply pins to isolate any high switching noise from coupling into the internal PLL.

In order to achieve the best possible filtering, it is recommended that the placement of the filter components be on the device side of the PCB as close to the power pins as possible. If space is limited, the 0.1uF capacitor in each power pin filter should be placed on the device side. The other components can be on the opposite side of the PCB.

Power supply filter recommendations are a general guideline to be used for reducing external noise from coupling into the devices. The filter performance is designed for a wide range of noise frequencies. This low-pass filter starts to attenuate noise at approximately 10kHz. If a specific frequency noise component is known, such as switching power supplies frequencies, it is recommended that component values be adjusted and if required, additional filtering be added. Additionally, good general design practices for power plane voltage stability suggests adding bulk capacitance in the local area of all devices.

For additional layout recommendations and guidelines, contact clocks@idt.com.

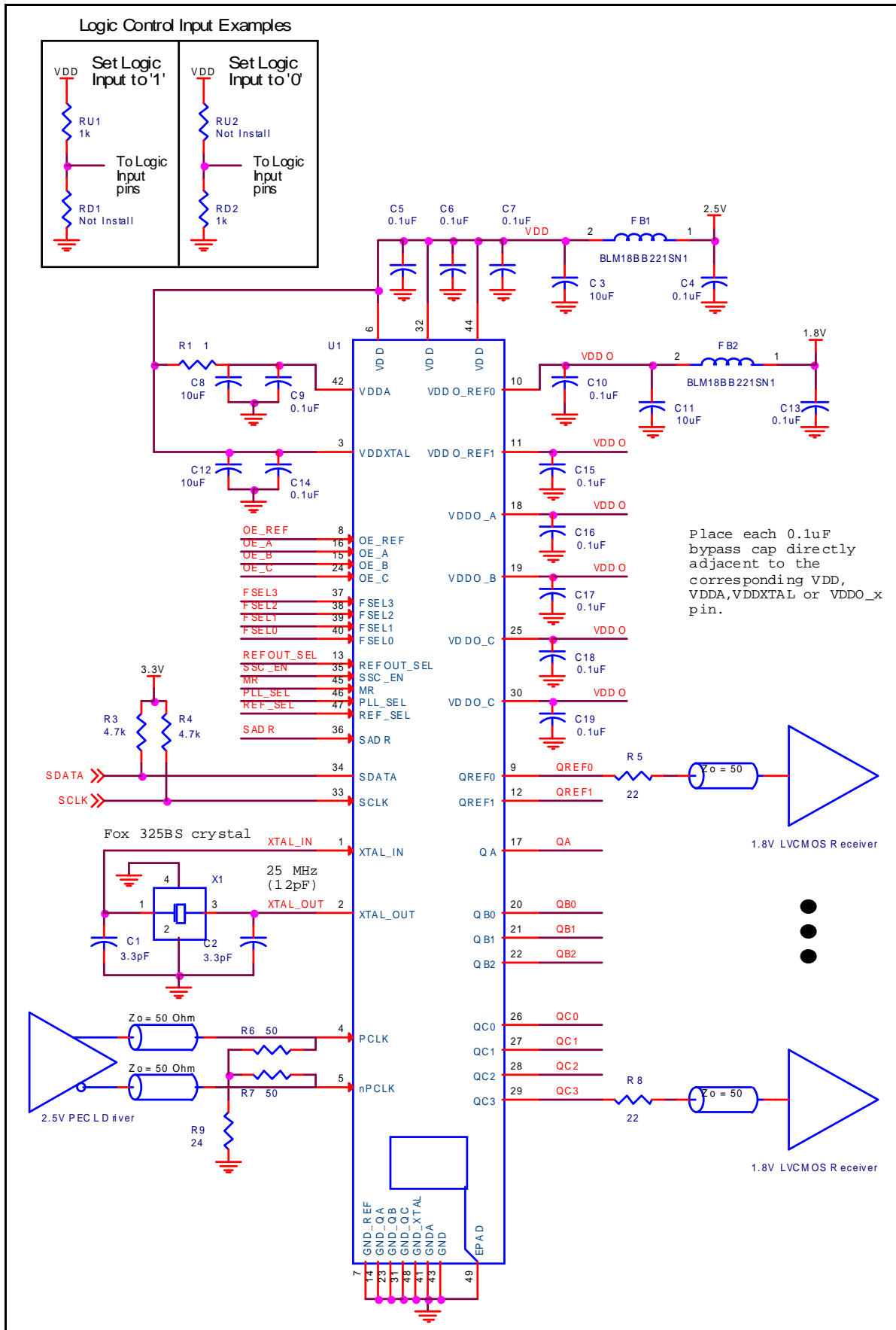


Figure 5. 840NT4 Schematic Layout

Power Considerations

This section provides information on power dissipation and junction temperature for the 840NT4. Equations and example calculations are also provided.

1. Power Dissipation.

The total power dissipation for the 840NT4 is the sum of the core power plus the analog power plus the power dissipation due to loading. The following is the power dissipation for $V_{DD} = 3.3V + 5\% = 3.465V$, which gives worst case results.

- $$\begin{aligned} \text{Power (Static)}_{MAX} &= [V_{DD_MAX} * (I_{DD_MAX} + I_{DD_XTAL} + I_{DDA} + I_{DDO_X})] \\ &= [3.465V * (149mA + 44mA + 32mA + 3mA)] \\ &= \mathbf{790.02mW} \end{aligned}$$

Dynamic Power Dissipation (max)

- $$\begin{aligned} \text{Power (F}_{OUT_MAX}) &= [C_{PD} * (8 * F_{MAX_Qa,b,c} + F_{MAX_QREF1} + F_{MAX_QREF0}) * (V_{DDO})^2] \\ &= [15pF * (8 * 200MHz + 25MHz + 3.125MHz) * (3.465V)^2] \\ &= \mathbf{293.2mW} \end{aligned}$$

Total Power

$$\begin{aligned} &= (\text{Static Power} + \text{Dynamic Power Dissipation}) \\ &= (790.02mW + 293.2mW) \\ &= \mathbf{1083.22mW} \end{aligned}$$

2. Junction Temperature.

Junction temperature, T_j , is the temperature at the junction of the bond wire and bond pad, and directly affects the reliability of the device. The maximum recommended junction temperature is 125°C. Limiting the internal transistor junction temperature, T_j , to 125°C ensures that the bond wire and bond pad temperature remains below 125°C.

The equation for T_j is as follows: $T_j = \theta_{JA} * Pd_total + T_A$

T_j = Junction Temperature

θ_{JA} = Junction-to-Ambient Thermal Resistance

Pd_total = Total Device Power Dissipation (example calculation is in section 1 above)

T_A = Ambient Temperature

In order to calculate junction temperature, the appropriate junction-to-ambient thermal resistance θ_{JA} must be used. Assuming no air flow and a multi-layer board, the appropriate value is 29°C/W per Table 9 below.

Therefore, T_j for an ambient temperature of 85°C with all outputs switching is:

$$85^\circ\text{C} + 1.083W * 29^\circ\text{C/W} = 116.4^\circ\text{C}. \text{ This is below the limit of } 125^\circ\text{C}.$$

This calculation is only an example. T_j will obviously vary depending on the number of loaded outputs, supply voltage, air flow and the type of board (multi-layer).

Table 9. Thermal Resistance θ_{JA} for a 48 Lead VFQFN Package, Forced Convection

θ_{JA} by Velocity			
Meters per Second	0	1	2
Multi-Layer PCB, JEDEC Standard Test Boards	29.0°C/W	22.88°C/W	20.62°C/W

Reliability Information

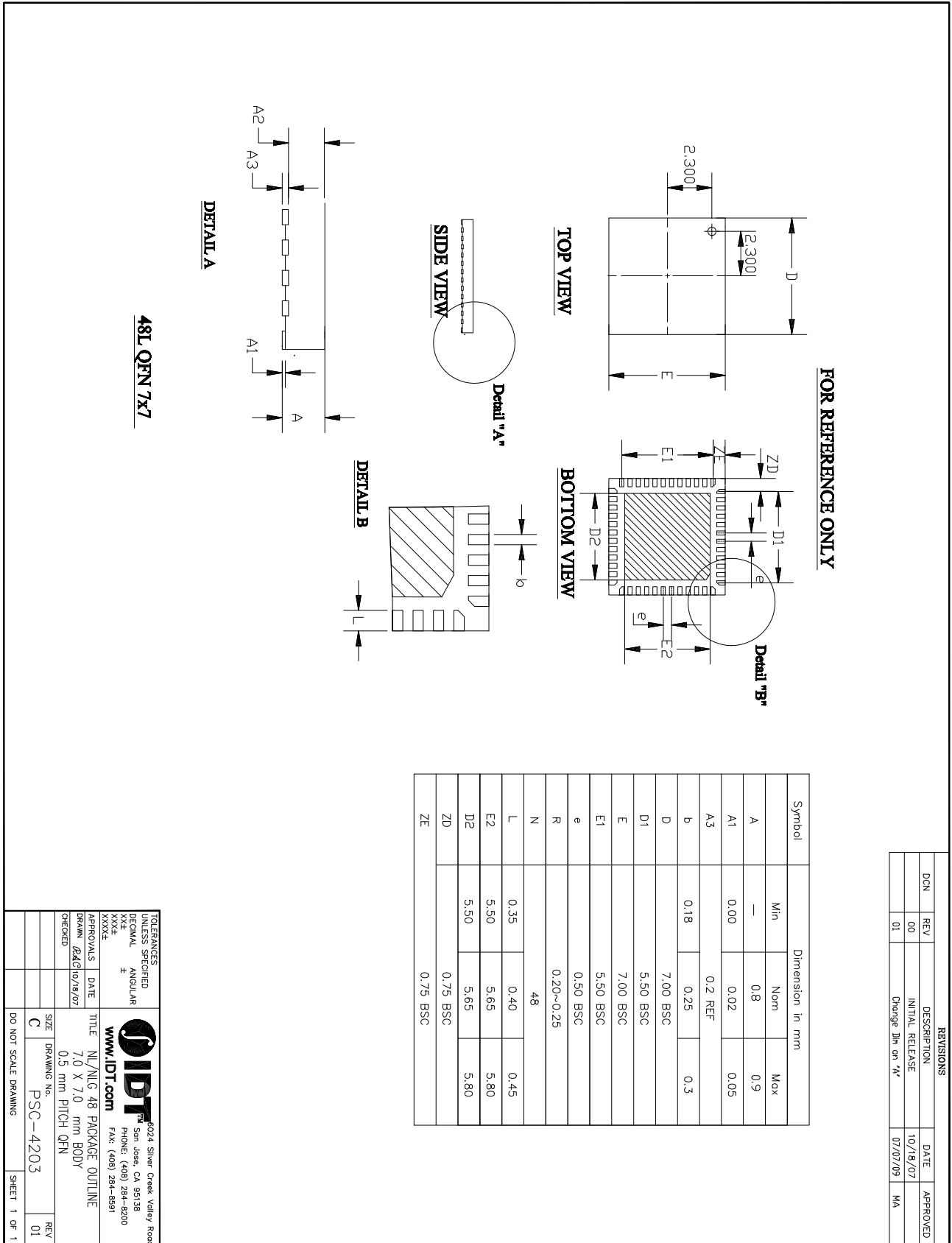
Table 10. θ_{JA} vs. Air Flow Table for a 48 Lead VFQFN

θ_{JA} vs. Air Flow			
Meters per Second	0	1	2
Multi-Layer PCB, JEDEC Standard Test Boards	29.0°C/W	22.88°C/W	20.62°C/W

Transistor Count

840NT4 transistor count 27,463

48 Lead VFQFN Package Outline and Package Dimensions



Ordering Information

Table 11. Ordering Information

Part/Order Number	Marking	Package	Shipping Packaging	Temperature
840NT4NLGI	IDT840NT4NLGI	48 Lead VFQFN, Lead-Free	Tray	-40°C to 85°C
840NT4NLGI8	IDT840NT4NLGI	48 Lead VFQFN, Lead-Free	Tape & Reel	-40°C to 85°C

NOTE: Parts that are ordered with an "G" suffix to the part number are the Pb-Free configuration and are RoHS compliant.



Corporate Headquarters
6024 Silver Creek Valley Road
San Jose, CA 95138 USA

Sales
1-800-345-7015 or 408-284-8200
Fax: 408-284-2775
www.IDT.com

Tech Support
email: clocks@idt.com

DISCLAIMER Integrated Device Technology, Inc. (IDT) and its subsidiaries reserve the right to modify the products and/or specifications described herein at any time and at IDT's sole discretion. All information in this document, including descriptions of product features and performance, is subject to change without notice. Performance specifications and the operating parameters of the described products are determined in the independent state and are not guaranteed to perform the same way when installed in customer products. The information contained herein is provided without representation or warranty of any kind, whether express or implied, including, but not limited to, the suitability of IDT's products for any particular purpose, an implied warranty of merchantability, or non-infringement of the intellectual property rights of others. This document is presented only as a guide and does not convey any license under intellectual property rights of IDT or any third parties.

IDT's products are not intended for use in applications involving extreme environmental conditions or in life support systems or similar devices where the failure or malfunction of an IDT product can be reasonably expected to significantly affect the health or safety of users. Anyone using an IDT product in such a manner does so at their own risk, absent an express, written agreement by IDT.

Integrated Device Technology, IDT and the IDT logo are registered trademarks of IDT. Product specification subject to change without notice. Other trademarks and service marks used herein, including protected names, logos and designs, are the property of IDT or their respective third party owners.

Copyright ©2014 Integrated Device Technology, Inc.. All rights reserved.

Компания «Life Electronics» занимается поставками электронных компонентов импортного и отечественного производства от производителей и со складов крупных дистрибьюторов Европы, Америки и Азии.

С конца 2013 года компания активно расширяет линейку поставок компонентов по направлению коаксиальный кабель, кварцевые генераторы и конденсаторы (керамические, пленочные, электролитические), за счёт заключения дистрибьюторских договоров

Мы предлагаем:

- Конкурентоспособные цены и скидки постоянным клиентам.
- Специальные условия для постоянных клиентов.
- Подбор аналогов.
- Поставку компонентов в любых объемах, удовлетворяющих вашим потребностям.
- Приемлемые сроки поставки, возможна ускоренная поставка.
- Доставку товара в любую точку России и стран СНГ.
- Комплексную поставку.
- Работу по проектам и поставку образцов.
- Формирование склада под заказчика.
- Сертификаты соответствия на поставляемую продукцию (по желанию клиента).
- Тестирование поставляемой продукции.
- Поставку компонентов, требующих военную и космическую приемку.
- Входной контроль качества.
- Наличие сертификата ISO.

В составе нашей компании организован Конструкторский отдел, призванный помогать разработчикам, и инженерам.

Конструкторский отдел помогает осуществить:

- Регистрацию проекта у производителя компонентов.
- Техническую поддержку проекта.
- Защиту от снятия компонента с производства.
- Оценку стоимости проекта по компонентам.
- Изготовление тестовой платы монтаж и пусконаладочные работы.



Тел: +7 (812) 336 43 04 (многоканальный)

Email: org@lifeelectronics.ru

www.lifeelectronics.ru