

4

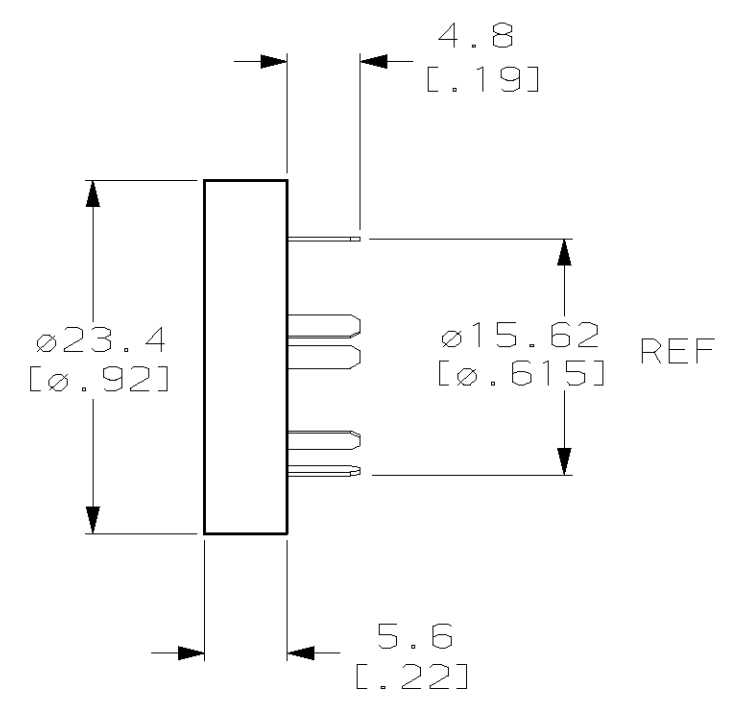
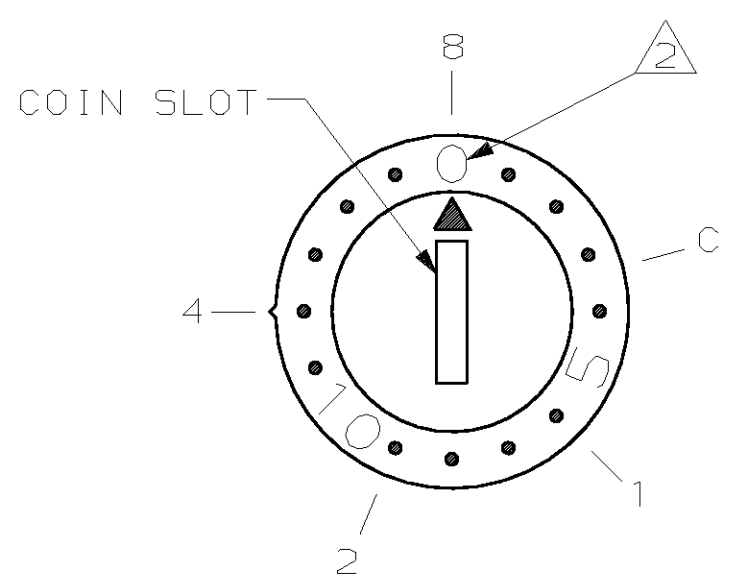
3

2

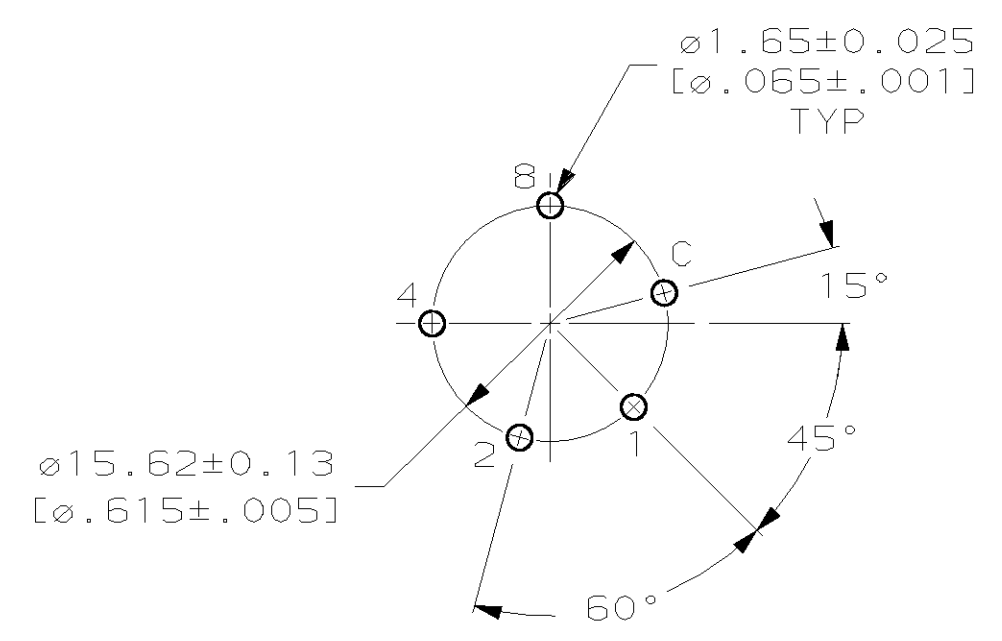
1

THIS DRAWING IS UNPUBLISHED. RELEASED FOR PUBLICATION ,19 .
 © COPYRIGHT 19 BY AMP INCORPORATED. ALL RIGHTS RESERVED.

LOC	DIST	REVISIONS					
FT	69	P	LTR	DESCRIPTION	DATE	DWN	APVD
		L		REV PER 063C-0156-03	130CT04	JR	MZ



1 FINISH: SOLDER TAILS TIN PLATE 0.0051 [.000200] MIN. THICK. CONTACT AREA 0.00076 [.000030] MIN. HARD GOLD OVER 0.00127-0.00254 [.000050-.000100] LOW STRESS NICKEL.
 2 CHARACTERS 2.5 [.10] HIGH, COLOR BLACK.



P.C. BOARD HOLE LAYOUT
SWITCH SIDE

SUPERSEDED BY 1-435167-1

		SWITCH POSITION															
		0	1	2	3	4	5	6	7	8	9	10	11	12	13	14	15
COMMON TO	1		●		●		●		●		●		●		●		●
	2			●	●			●	●			●	●			●	●
	4					●	●	●	●				●	●	●	●	
	8									●	●	●	●	●	●	●	●

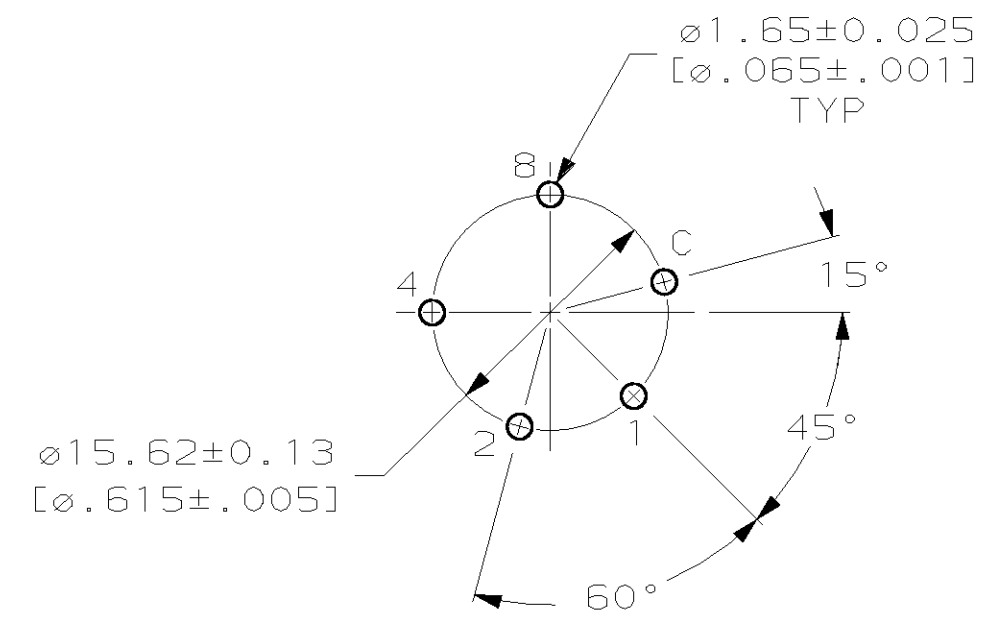
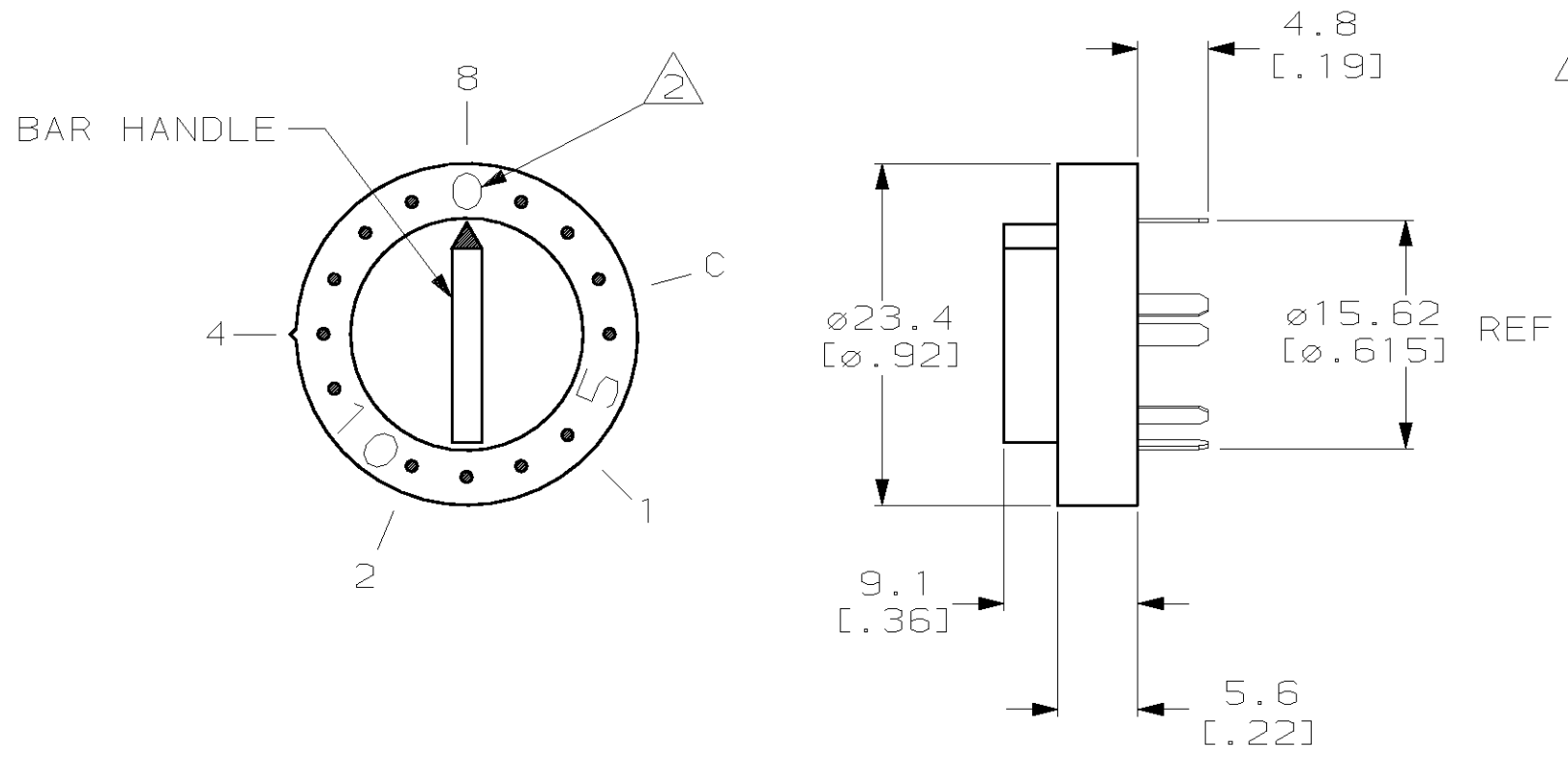
435167-1
PART NO

THIS DRAWING IS A CONTROLLED DOCUMENT.		DWN R. TALLEY 8-7-91	AMP AMP Incorporated Harrisburg, PA 17105-3608	
DIMENSIONS: mm [INCHES]		CHK R. MILLER 8-7-91		
TOLERANCES UNLESS OTHERWISE SPECIFIED:		APVD D. HUFFMAN 8-7-91	NAME ROTARY SWITCH ASSY, 16 POSN, 6000 SERIES HEXADECIMAL	
0 PLC ±-		PRODUCT SPEC 108-7514	SIZE A3	
1 PLC ±-		APPLICATION SPEC 114-7005	CAGE CODE 00779	DRAWING NO C-435167
2 PLC ±0.5 [.02]		WEIGHT -	RESTRICTED TO -	
3 PLC ±-		CUSTOMER DRAWING		
4 PLC ±-		SCALE 2:1		
ANGLES ±0°30'		SHEET 1 OF 4		
FINISH 1		REV L		
MATERIAL CASE: THERMOPLASTIC, COLOR NATURAL CONTACT: BERYLLIUM COPPER				

THIS DRAWING IS UNPUBLISHED. RELEASED FOR PUBLICATION, 19 .
 © COPYRIGHT 19 BY AMP INCORPORATED. ALL RIGHTS RESERVED.

LOC	DIST	REVISIONS					
FT	69	P	LTR	DESCRIPTION	DATE	DWN	APVD
		L		SEE SHEET 1	-	-	-

- ① FINISH: SOLDER TAILS TIN PLATE 0.0051 [.000200] MIN. THICK. CONTACT AREA 0.00076 [.000030] MIN. HARD GOLD OVER 0.00127-0.00254 [.000050-.000100] LOW STRESS NICKEL.
- ② CHARACTERS 2.5 [.10] HIGH, COLOR BLACK.



P.C. BOARD HOLE LAYOUT
SWITCH SIDE

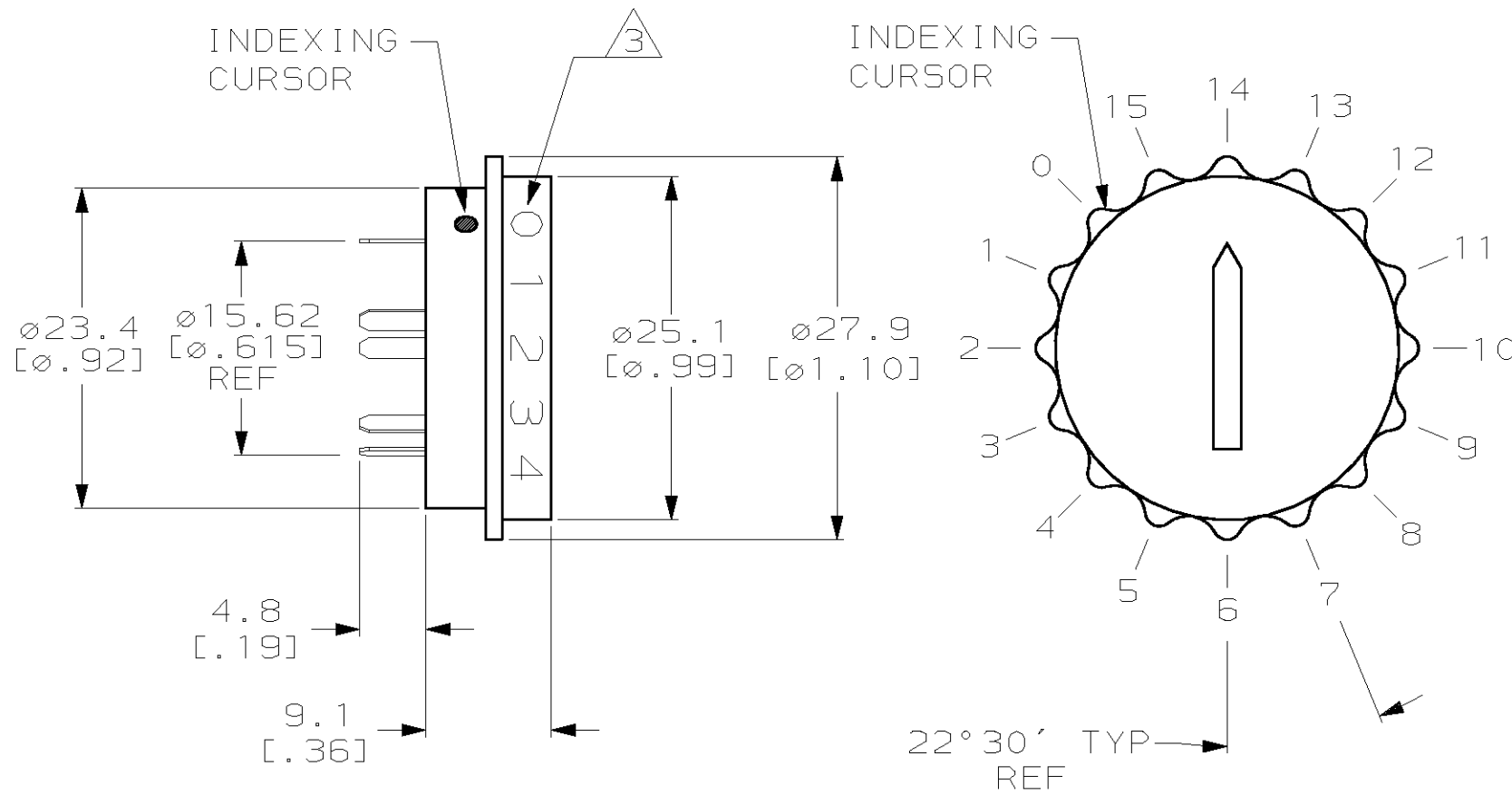
		SWITCH POSITION															
		0	1	2	3	4	5	6	7	8	9	10	11	12	13	14	15
COMMON TO	1		●		●		●		●		●		●		●		●
	2			●	●			●	●			●	●			●	●
	4					●	●	●	●				●	●	●	●	
	8									●	●	●	●	●	●	●	●

1-435167-1
PART NO

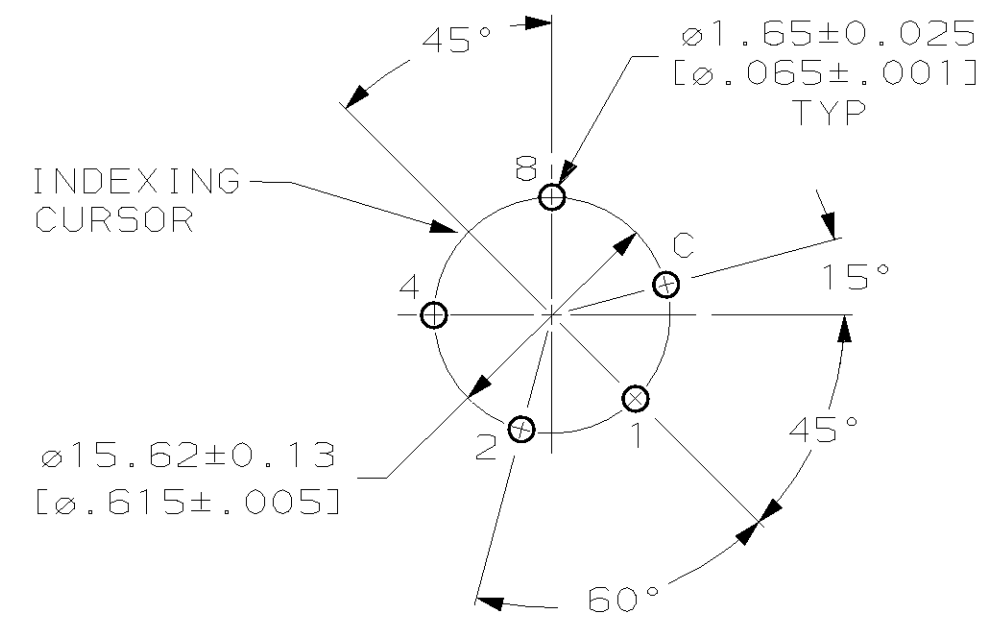
THIS DRAWING IS A CONTROLLED DOCUMENT.		DWN R. TALLEY 8-7-91	AMP Incorporated Harrisburg, PA 17105-3608	
DIMENSIONS: mm [INCHES]		CHK R. MILLER 8-7-91		
TOLERANCES UNLESS OTHERWISE SPECIFIED:		APVD D. HUFFMAN 8-9-91	NAME ROTARY SWITCH ASSY, 16 POSN, 6000 SERIES HEXADECIMAL	
0 PLC ±- 1 PLC ±- 2 PLC ±0.5 [.02] 3 PLC ±- 4 PLC ±- ANGLES ±0°30'		PRODUCT SPEC 108-7514	SIZE A3	
MATERIAL CASE: THERMOPLASTIC, COLOR NATURAL CONTACT: BERYLLIUM COPPER		APPLICATION SPEC 114-7005	CAGE CODE 00779	DRAWING NO C- 435167
FINISH ①		WEIGHT -	RESTRICTED TO -	
CUSTOMER DRAWING		SCALE 2:1		SHEET 2 OF 4
				REV L

THIS DRAWING IS UNPUBLISHED. RELEASED FOR PUBLICATION ,19 .
 © COPYRIGHT 19 BY AMP INCORPORATED. ALL RIGHTS RESERVED.

LOC	DIST	REVISIONS					
FT	69	P	LTR	DESCRIPTION	DATE	DWN	APVD
		L		SEE SHEET 1	-	-	-



- 1 MATERIAL; CASE-THERMOPLASTIC, COLOR NATURAL. WHEEL-THERMOPLASTIC, COLOR BLACK. CONTACT-BERYLLIUM COPPER.
- 2 FINISH: SOLDER TAILS TIN PLATE 0.0051 [0.000200] MIN. THICK. CONTACT AREA 0.00076 [0.000030] MIN. HARD GOLD OVER 0.00127-0.00254 [0.000050-.000100] LOW STRESS NICKEL.
- 3 CHARACTERS 2.3 [0.09] HIGH, COLOR WHITE.



P.C. BOARD HOLE LAYOUT
SWITCH SIDE

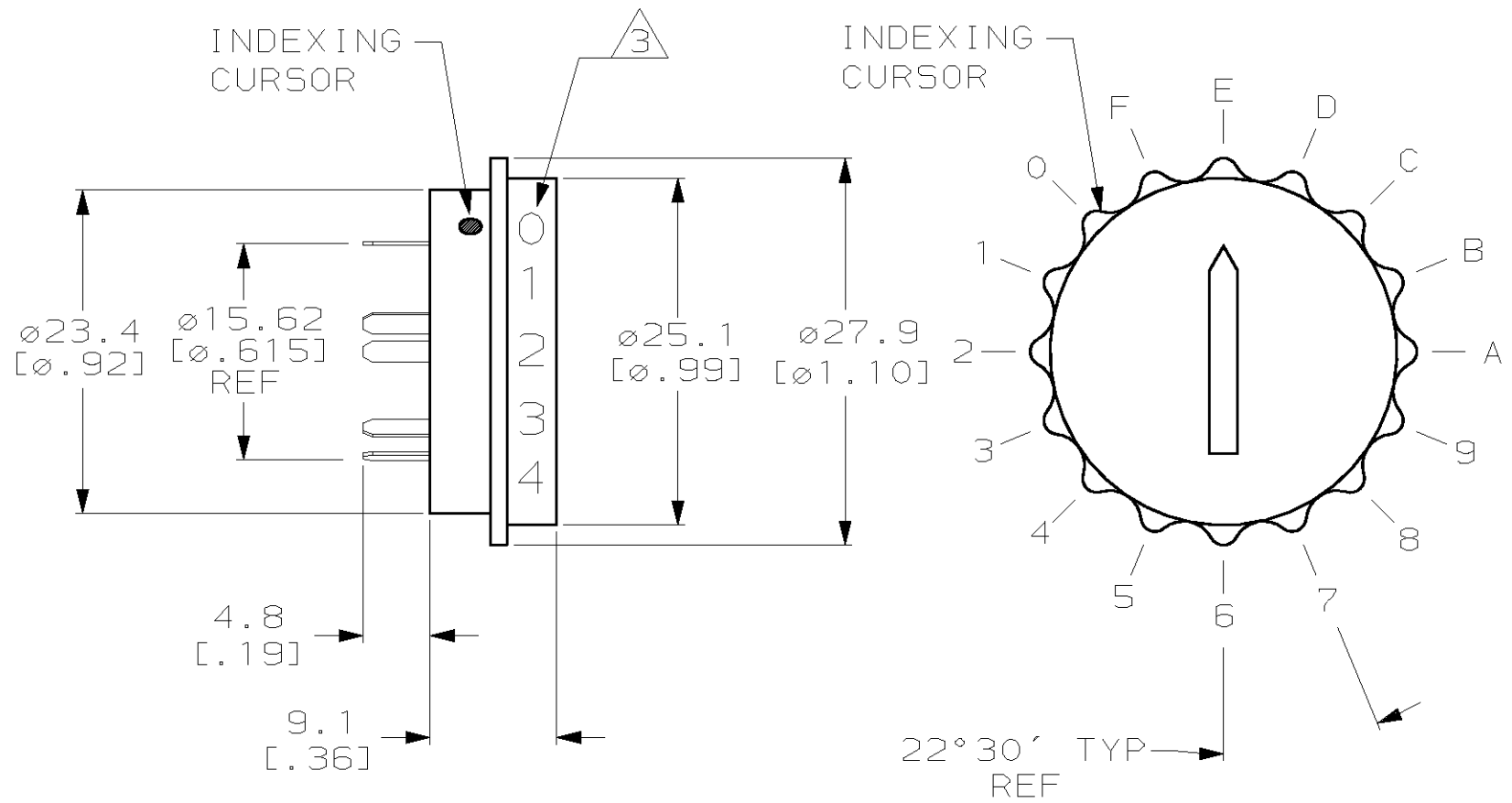
		SWITCH POSITION															
		0	1	2	3	4	5	6	7	8	9	10	11	12	13	14	15
COMMON TO	1		●		●		●		●		●		●		●		●
	2			●	●			●	●			●	●			●	●
	4					●	●	●	●					●	●	●	●
	8									●	●	●	●	●	●	●	●

2-435167-1
PART NO

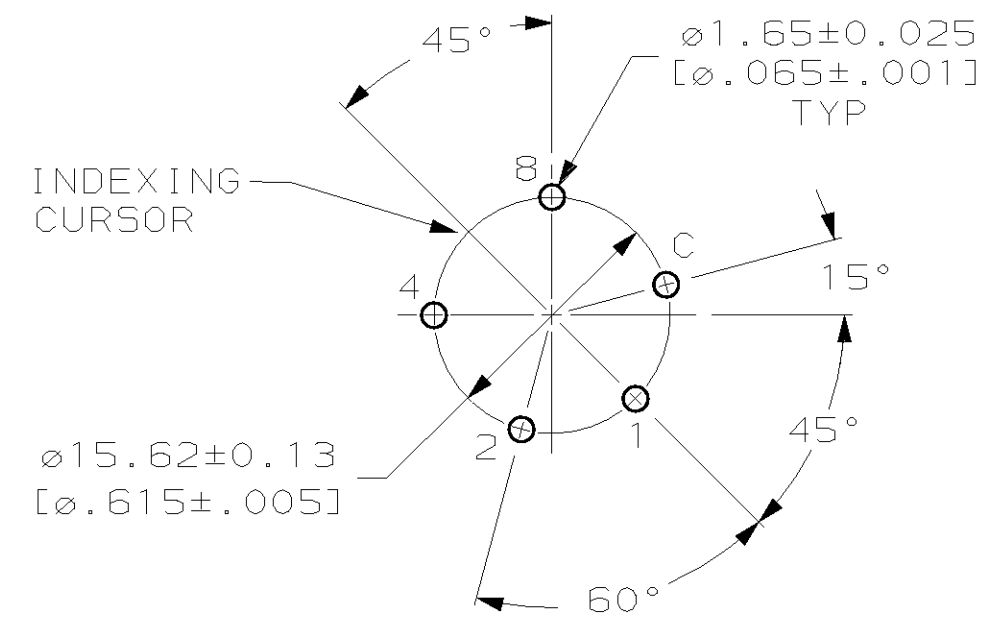
THIS DRAWING IS A CONTROLLED DOCUMENT.		DWN R. TALLEY 8-7-91	AMP AMP Incorporated Harrisburg, PA 17105-3608	
DIMENSIONS: mm [INCHES]		CHK R. MILLER 8-7-91		
TOLERANCES UNLESS OTHERWISE SPECIFIED:		APVD D. HUFFMAN 8-9-91	NAME ROTARY SWITCH ASSY, 16 POSN, 6000 SERIES HEXADECIMAL	
0 PLC ±-		PRODUCT SPEC 108-7514	SIZE CAGE CODE DRAWING NO RESTRICTED TO	
1 PLC ±-		APPLICATION SPEC 114-7005	A3 00779 C- 435167	
2 PLC ±0.5 [0.02]		WEIGHT -	SCALE 2:1 SHEET 3 OF 4 REV L	
3 PLC ±-		CUSTOMER DRAWING		
4 PLC ±-				
ANGLES ±0°30'				
MATERIAL 1	FINISH 2			

THIS DRAWING IS UNPUBLISHED. RELEASED FOR PUBLICATION, 19...
 © COPYRIGHT 19 BY AMP INCORPORATED. ALL RIGHTS RESERVED.

LOC	DIST	REVISIONS					
FT	69	P	LTR	DESCRIPTION	DATE	DWN	APVD
		L		SEE SHEET 1	-	-	-



- ① MATERIAL; CASE-THERMOPLASTIC, COLOR NATURAL. WHEEL-THERMOPLASTIC, COLOR BLACK. CONTACT-BERYLLIUM COPPER.
- ② FINISH: SOLDER TAILS TIN PLATE 0.0051 [0.000200] MIN. THICK. CONTACT AREA 0.00076 [0.000030] MIN. HARD GOLD OVER 0.00127-0.00254 [0.000050-.000100] LOW STRESS NICKEL.
- ③ CHARACTERS 2.3 [0.09] HIGH, COLOR WHITE.



P.C. BOARD HOLE LAYOUT
SWITCH SIDE

SUPERSEDED BY 2-435167-1

		SWITCH POSITION															
		0	1	2	3	4	5	6	7	8	9	A	B	C	D	E	F
COMMON TO	1		●		●		●		●		●		●		●		●
	2			●	●			●	●			●	●			●	●
	4					●	●	●	●					●	●	●	●
	8										●	●	●	●	●	●	●

3-435167-1
PART NO

THIS DRAWING IS A CONTROLLED DOCUMENT.		DWN R. TALLEY 8-7-91	AMP AMP Incorporated Harrisburg, PA 17105-3608	
		CHK R. MILLER 8-7-91		
DIMENSIONS: mm [INCHES]		APVD D. HUFFMAN 8-9-91	NAME ROTARY SWITCH ASSY, 16 POSN, 6000 SERIES HEXADECIMAL	
TOLERANCES UNLESS OTHERWISE SPECIFIED:		PRODUCT SPEC 108-7514	SIZE CAGE CODE DRAWING NO RESTRICTED TO	
0 PLC ±-		APPLICATION SPEC 114-7005	A3 00779 C- 435167	
1 PLC ±-		WEIGHT -	SCALE 2:1 SHEET 4 OF 4 REV L	
2 PLC ±0.5 [0.020]		CUSTOMER DRAWING		
3 PLC ±-				
4 PLC ±-				
ANGLES ±0°30'				
MATERIAL ①	FINISH ②			

Компания «Life Electronics» занимается поставками электронных компонентов импортного и отечественного производства от производителей и со складов крупных дистрибьюторов Европы, Америки и Азии.

С конца 2013 года компания активно расширяет линейку поставок компонентов по направлению коаксиальный кабель, кварцевые генераторы и конденсаторы (керамические, пленочные, электролитические), за счёт заключения дистрибьюторских договоров

Мы предлагаем:

- Конкурентоспособные цены и скидки постоянным клиентам.
- Специальные условия для постоянных клиентов.
- Подбор аналогов.
- Поставку компонентов в любых объемах, удовлетворяющих вашим потребностям.
- Приемлемые сроки поставки, возможна ускоренная поставка.
- Доставку товара в любую точку России и стран СНГ.
- Комплексную поставку.
- Работу по проектам и поставку образцов.
- Формирование склада под заказчика.
- Сертификаты соответствия на поставляемую продукцию (по желанию клиента).
- Тестирование поставляемой продукции.
- Поставку компонентов, требующих военную и космическую приемку.
- Входной контроль качества.
- Наличие сертификата ISO.

В составе нашей компании организован Конструкторский отдел, призванный помогать разработчикам, и инженерам.

Конструкторский отдел помогает осуществить:

- Регистрацию проекта у производителя компонентов.
- Техническую поддержку проекта.
- Защиту от снятия компонента с производства.
- Оценку стоимости проекта по компонентам.
- Изготовление тестовой платы монтаж и пусконаладочные работы.



Тел: +7 (812) 336 43 04 (многоканальный)
Email: org@lifeelectronics.ru