

## GaAs SPST Switch DC - 2.5 GHz

Rev. V3

### Features

- Very Low Power Consumption: 50  $\mu$ W
- Low Insertion Loss: 1.0 dB
- High Isolation: 35 dB up to 2 GHz
- Very High Intercept Point: 46 dBm IP3
- Nanosecond Switching Speed
- Temperature Range:  $-40^{\circ}\text{C}$  to  $+85^{\circ}\text{C}$
- Lead-Free SOIC-8 Plastic Package
- 100% Matte Tin Plating over Copper
- Halogen-Free "Green" Mold Compound
- $260^{\circ}\text{C}$  Reflow Compatible
- RoHS\* Compliant Version of SW-259

### Description

M/A-COM's MASWSS0162 is a GaAs MMIC SPST switch in a lead-free SOIC-8 lead surface mount plastic package. The MASWSS0162 is ideally suited for use where low power consumption is required. Typical applications include transmit/receive switching, switch matrices and switched filter banks in systems such as radio and cellular equipment, PCM, GPS, fiber optic modules, and other battery powered radio equipment.

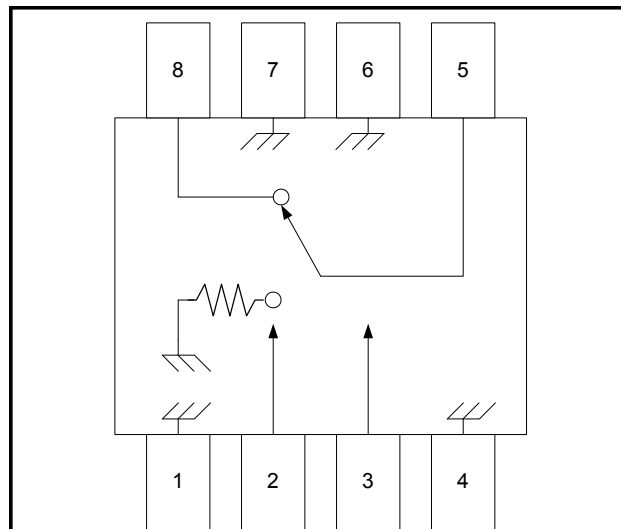
The MASWSS0162 is fabricated using a monolithic GaAs MMIC using a mature 1 micron process. The process features full chip passivation for increased performance and reliability.

### Ordering Information<sup>1</sup>

Part Number	Package
MASWSS0162	Bulk Packaging
MASWSS0162TR	1000 piece reel

1. Reference Application Note M513 for reel size information.

### Functional Schematic



### Pin Configuration

PIN No.	Description	PIN No.	Description
1	Ground	5	RF Port 2
2	A	6	Ground
3	B	7	Ground
4	Ground	8	RF Port 1

### Absolute Maximum Ratings<sup>2,4</sup>

Parameter	Absolute Maximum
Input Power <sup>3</sup> 0.05 GHz 0.5 – 2.0 GHz	+27 dBm +34 dBm
Control Voltage	+5 V, -8.5 V
Operating Temperature	$-40^{\circ}\text{C}$ to $+85^{\circ}\text{C}$
Storage Temperature	$-65^{\circ}\text{C}$ to $+150^{\circ}\text{C}$

2. Exceeding any one or combination of these limits may cause permanent damage to this device.
3. When the RF Input power is applied to a terminated port, the absolute maximum is +32 dBm.
4. M/A-COM does not recommend sustained operation near these survivability limits.

\* Restrictions on Hazardous Substances, European Union Directive 2002/95/EC.

## GaAs SPST Switch DC - 2.5 GHz

Rev. V3

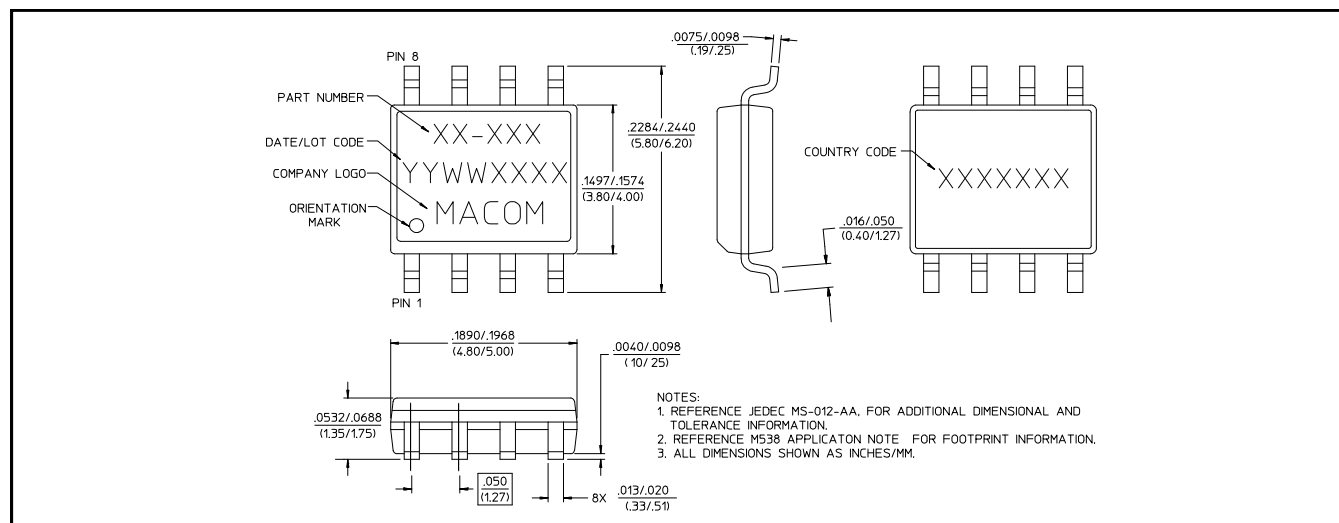
Electrical Specifications:  $T_A = +25^\circ\text{C}^5$ ,  $V_C = -5\text{ V} / 0\text{ V}$ ,  $P_{IN} = 0\text{ dBm}$

Parameter	Test Conditions	Units	Min	Typ <sup>5</sup>	Max
Insertion Loss <sup>6</sup>	DC - 0.5 GHz	dB	—	0.8	—
	0.5 - 1.0 GHz	dB	—	0.9	1.2
	1.0 - 2.0 GHz	dB	—	1.1	—
Isolation <sup>6</sup>	DC - 0.5 GHz	dB	—	65	—
	0.5 - 1.0 GHz	dB	45	53	—
	1.0 - 2.0 GHz	dB	—	40	—
VSWR On VSWR Off	DC - 2.0 GHz	Ratio	—	1.2:1	—
	DC - 2.0 GHz	Ratio	—	1.2:1	—
1 dB Compression	Input Power 0.05 GHz	dBm	—	18	—
	0.5 - 2.0 GHz	dBm	—	23	—
Trise, Tfall	10% to 90% RF, 90% to 10% RF	nS	—	4	—
Ton, Toff	50% Control to 90% RF, Control to 10% RF	nS	—	8	—
Transients	In-Band	mV	—	35	—
2nd Order Intercept	Measured Relative to Input Power, two-tone up to +5 dBm 0.05 GHz	dBm	—	55	—
	0.5 - 2.0 GHz	dBm	—	68	—
3rd Order Intercept	Measured Relative to Input Power, two-tone up to +5 dBm 0.05 GHz	dBm	—	40	—
	0.5 - 2.0 GHz	dBm	—	46	—
Control Current	—	$\mu\text{A}$	—	—	25

5. All measurements with 0, -5 V control voltages at 1.0 GHz in a 50  $\Omega$  system, unless otherwise specified.

6. Typical values listed are based on average of frequency range noted.

### Lead-Free SOIC-8<sup>†</sup>

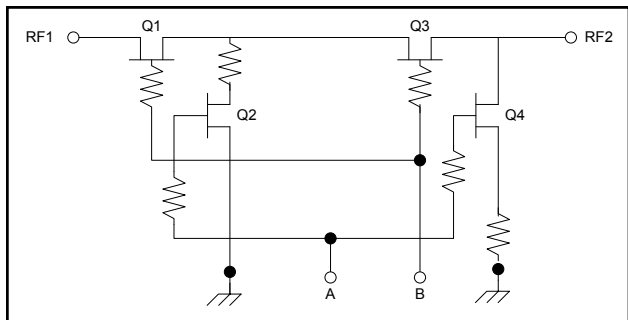


<sup>†</sup> Reference Application Note M538 for lead-free solder reflow recommendations.

## GaAs SPST Switch DC - 2.5 GHz

Rev. V3

### Electrical Schematic



### Truth Table <sup>7,8</sup>

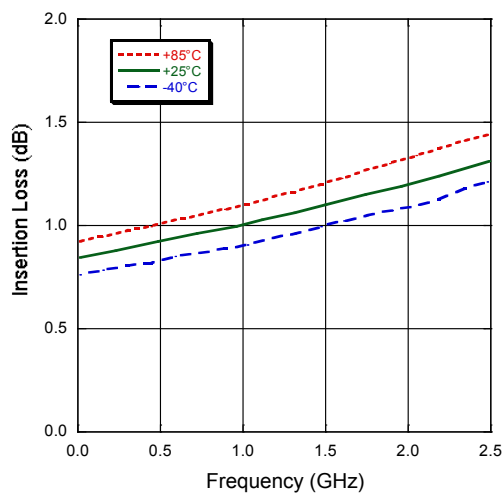
Control Inputs		Condition of Switch
A	B	RF State
1	0	On
0	1	Off

7. "0" = 0 to -0.2 V @ 20 mA max.

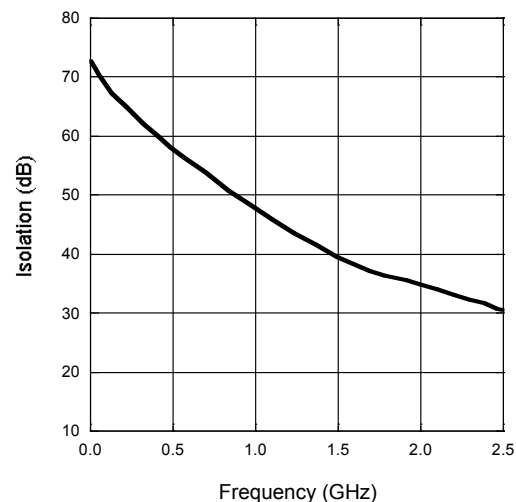
8. "1" = -5 V @ 20 mA Typ to -8 V @ 600 mA max.

### Typical Performance Curves

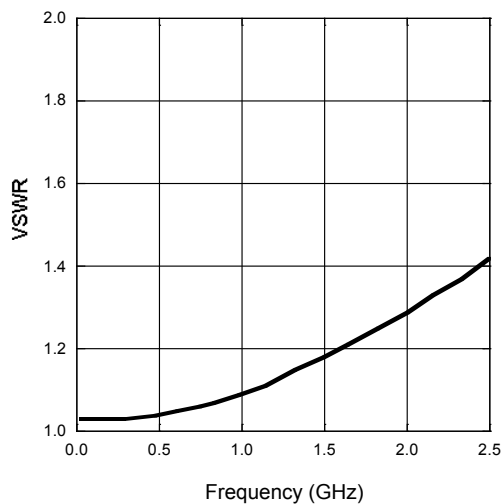
#### Insertion Loss



#### Isolation



#### VSWR



M/A-COM Technology Solutions Inc. All rights reserved.

Information in this document is provided in connection with M/A-COM Technology Solutions Inc ("MACOM") products. These materials are provided by MACOM as a service to its customers and may be used for informational purposes only. Except as provided in MACOM's Terms and Conditions of Sale for such products or in any separate agreement related to this document, MACOM assumes no liability whatsoever. MACOM assumes no responsibility for errors or omissions in these materials. MACOM may make changes to specifications and product descriptions at any time, without notice. MACOM makes no commitment to update the information and shall have no responsibility whatsoever for conflicts or incompatibilities arising from future changes to its specifications and product descriptions. No license, express or implied, by estoppel or otherwise, to any intellectual property rights is granted by this document.

THESE MATERIALS ARE PROVIDED "AS IS" WITHOUT WARRANTY OF ANY KIND, EITHER EXPRESS OR IMPLIED, RELATING TO SALE AND/OR USE OF MACOM PRODUCTS INCLUDING LIABILITY OR WARRANTIES RELATING TO FITNESS FOR A PARTICULAR PURPOSE, CONSEQUENTIAL OR INCIDENTAL DAMAGES, MERCHANTABILITY, OR INFRINGEMENT OF ANY PATENT, COPYRIGHT OR OTHER INTELLECTUAL PROPERTY RIGHT. MACOM FURTHER DOES NOT WARRANT THE ACCURACY OR COMPLETENESS OF THE INFORMATION, TEXT, GRAPHICS OR OTHER ITEMS CONTAINED WITHIN THESE MATERIALS. MACOM SHALL NOT BE LIABLE FOR ANY SPECIAL, INDIRECT, INCIDENTAL, OR CONSEQUENTIAL DAMAGES, INCLUDING WITHOUT LIMITATION, LOST REVENUES OR LOST PROFITS, WHICH MAY RESULT FROM THE USE OF THESE MATERIALS.

MACOM products are not intended for use in medical, lifesaving or life sustaining applications. MACOM customers using or selling MACOM products for use in such applications do so at their own risk and agree to fully indemnify MACOM for any damages resulting from such improper use or sale.

4

---

M/A-COM Technology Solutions Inc. (MACOM) and its affiliates reserve the right to make changes to the product(s) or information contained herein without notice.  
Visit [www.macom.com](http://www.macom.com) for additional data sheets and product information.

Компания «Life Electronics» занимается поставками электронных компонентов импортного и отечественного производства от производителей и со складов крупных дистрибьюторов Европы, Америки и Азии.

С конца 2013 года компания активно расширяет линейку поставок компонентов по направлению коаксиальный кабель, кварцевые генераторы и конденсаторы (керамические, пленочные, электролитические), за счёт заключения дистрибьюторских договоров

Мы предлагаем:

- Конкурентоспособные цены и скидки постоянным клиентам.
- Специальные условия для постоянных клиентов.
- Подбор аналогов.
- Поставку компонентов в любых объемах, удовлетворяющих вашим потребностям.
- Приемлемые сроки поставки, возможна ускоренная поставка.
- Доставку товара в любую точку России и стран СНГ.
- Комплексную поставку.
- Работу по проектам и поставку образцов.
- Формирование склада под заказчика.
- Сертификаты соответствия на поставляемую продукцию (по желанию клиента).
- Тестирование поставляемой продукции.
- Поставку компонентов, требующих военную и космическую приемку.
- Входной контроль качества.
- Наличие сертификата ISO.

В составе нашей компании организован Конструкторский отдел, призванный помогать разработчикам, и инженерам.

Конструкторский отдел помогает осуществить:

- Регистрацию проекта у производителя компонентов.
- Техническую поддержку проекта.
- Защиту от снятия компонента с производства.
- Оценку стоимости проекта по компонентам.
- Изготовление тестовой платы монтаж и пусконаладочные работы.



Тел: +7 (812) 336 43 04 (многоканальный)

Email: [org@lifeelectronics.ru](mailto:org@lifeelectronics.ru)