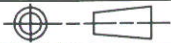


# HIGH DENSITY YHLZ TERMINAL BLOCK MODULES


9	ON SH 2. CORRECTED MATL CALLOUT. WAS ZYTEL 151. (ECN3616)	TJ	FDH	09-27-96
8	REVISED AND REDRAWN ON CAD. DWG WAS SD84122. SEE REV. REF. PRINT. (ECN3556)	FDH	JKK	06-10-96
REV	REVISION DESCRIPTION	BY	CHKD	DATE

SUPERSEDES: SD84122-7

HIGH DENSITY YHLZ TERMINAL BLOCK MODULES	
CAT NO.	YHLZ16- (SEE TABLE)

LINEAR MEASURE:	INCH mm	INCH [mm]
THIRD ANGLE PROJECTION		
		
- TOLERANCES - UNLESS OTHERWISE SPECIFIED		
NO OF DECIMAL PLACES IN INCHES	INCH [mm]	
ONE PLACE	±.1 [±3]	
TWO PLACES	±.02 [±0.5]	
THREE PLACES	±.005 [±0.13]	
ANGLES ±1°		

DWG RELEASED TO CENTRAL FILE 06-10-96		
CAGE NO. 09922	ECN 3556	PC 862
© FRAMATOME CONNECTORS USA INC. 1996		



[www.framatome.com](http://www.framatome.com)  
[usa@framatome.com](mailto:usa@framatome.com)

APPROVAL	DRWN	DWJ	05-31-80
	CHKD	SFP	10-16-80
	DSGN	LAS	10-24-80
	MKT	FG	05-31-96
	QC	ZR	06-05-96
DRAWING SCALE NONE			
DRAWING NO		REV	
SA84122		9	
SHEET 1 OF 5			

NOTES: UNLESS OTHERWISE SPECIFIED.

1. INTERPRET THIS DRAWING IN ACCORDANCE WITH ANSI Y14.5M-1982.
2. TERMINAL BLOCKS ACCOMODATES FCI 'ARM20W-1D\_\_' PIN CONTACTS. (REF: MIL-C-39029/11-145) SEE DRAWING SD84121. PIN CONTACTS ACCOMODATE WIRE RANGE #24-22-20 AWG. USE INSERTION/REMOVAL TOOL PER MIL-I-81969/1-02.
3. TERMINAL BLOCK CAN BE INSTALLED IN ANY POSITION OF AMM\_\_\_\_T\_\_\_\_AND AMY\_\_\_\_T\_\_\_\_ TRACK BY ROTATING CLOCKWISE. SEE DRAWINGS SE66784, BRSE66604, SD83863, AND SD83864.
4. MODULES ARE INTERCHANGEABLE WITH THE YHLZ8 (BACM15C2A) TERMINAL BLOCK MODULE (SEE DWG SA60450) AND ARE USED IN THE SAME TRACK.
5. UPPER AND LOWER BODIES SEALED AROUND PERIPHERY OF ALL UNBUSSED CAVITIES.
6. BARRIER IDENTIFICATION MARKING. (NON CONDUCTIVE BLACK INK)

**MATERIAL:**

BODY - NYLON 612 PER MIL-M-20693, TYPE III, COLOR - WHITE.  
 CONTACT SPRING & RETENTION SPRING - BERYLLIUM COPPER ALLOY

**FINISH:**

CONTACT SPRING - .000030 [0,00076] MIN. GOLD OVER .000100 [0,00254] MIN. COPPER.

**WEIGHT:** .46 OZ. [13 GRAMS] MAX.

CATALOG NO. TABLE		
FCI CAT. NO.	BUSSING ARRANGEMENT	CUST. PART NO.
YHLZ16-2	8 UNITS X 2 BUSSED	BACM15C3A
YHLZ16-4	4 UNITS X 4 BUSSED	BACM15C3B
YHLZ16-8	2 UNITS X 8 BUSSED	BACM15C3C

---	ALL REV. RECORDED ON SHT 1	---	---	---
REV	REVISION DESCRIPTION	BY	CHKD	DATE

<b>HIGH DENSITY YHLZ TERMINAL BLOCK MODULES</b>				
CAT NO. YHLZ16- (SEE TABLE)				
DWG RELEASED TO CENTRAL FILE 06-10-96				
CAGE NO. 09922		ECN XXX	PC 862	
© FRAMATOME CONNECTORS USA INC. 1996				
APP RO VAL	DRWN	DWJ	05-31-80	
	CHKD	SFP	10-16-80	
	DSGN	LAS	10-24-80	
	MKT	FG	05-31-96	
	QC	ZR	06-05-96	
DRAWING SCALE: NONE				
DRAWING NO.		REV		
SA84122		9		
SHEET 2 OF 5				

LINEAR MEASURE:	INCH mm	INCH [mm]
THIRD ANGLE PROJECTION		
- TOLERANCES - UNLESS OTHERWISE SPECIFIED		
NO OF DECIMAL PLACES IN INCHES	INCH [mm]	
ONE PLACE	±.1 [±3]	
TWO PLACES	±.02 [±0.5]	
THREE PLACES	±.005 [±0.13]	
ANGLES ±1°		



PERFORMANCE CHARACTERISTICS

MECHANICAL:

CONTACT INSERTION FORCES: 2 LBS [8,90N] MAX.  
 CONTACT SEPARATION FORCES: .125 LB [0,56N] MIN.  
 CONTACT RETENTION: 20 LBS [88,96N] MIN.  
 BUS RETENTION: 25 LBS [111,20N] MIN.

ELECTRICAL:

CONTACT RESISTANCE: SIZE 20-20: 30 MILLIVOLTS MAX AT 7.5 AMPS WITH  
 20 AWG SILVER PLATED WIRE.  
 LOW LEVEL CONTACT RESISTANCE: SIZE 20-20: .006 OHMS MAX WITH 20 AWG SILVER PLATED WIRE.  
 DIELECTRIC WITHSTANDING VOLTAGE: 1500 VRMS  
 (SEA LEVEL)  
 DIELECTRIC WITHSTANDING VOLTAGE: 1000 VRMS  
 (60,000 FT.)  
 INSULATION RESISTANCE: 5000 MEGOHMS MIN.  
 CASE INTEGRITY (WET DIELECTRIC): 1500 VRMS

ENVIRONMENTAL:

SALT SPRAY: 48 HOURS IN ACCORDANCE WITH MIL-STD-202, METHOD 101, TEST CONDITION B.  
 VIBRATION: IN ACCORDANCE WITH MIL-STD-202, METHOD 204, TEST CONDITION D, LETTER E.  
 THERMAL SHOCK: IN ACCORDANCE WITH MIL-STD-202, METHOD 107, TEST CONDITION B.  
 EXCEPT TEMPERATURE EXTREMES ARE -55°C TO 65°C [-67°F TO 149°F]  
 HUMIDITY: IN ACCORDANCE WITH MIL-STD-202, METHOD 106, (OMIT STEP 7B).  
 TENSILE PULL: 10 LBS [44,48N] MIN. AT RIGHT ANGLES TO LONGITUDINAL AXIS OF CONTACT.

---	ALL REV. RECORDED ON SHT 1	---	---	---
REV	REVISION DESCRIPTION	BY	CHKD	DATE

**HIGH DENSITY YHLZ TERMINAL BLOCK MODULES**  
 CAT NO. YHLZ16- (SEE TABLE)

LINEAR MEASURE:	INCH mm	INCH [mm]
THIRD ANGLE PROJECTION		
- TOLERANCES - UNLESS OTHERWISE SPECIFIED		
NO OF DECIMAL PLACES IN INCHES	INCH	[mm]
ONE PLACE	±.1	[±.3]
TWO PLACES	±.02	[±0.5]
THREE PLACES	±.005	[±0.13]
ANGLES ±1°		

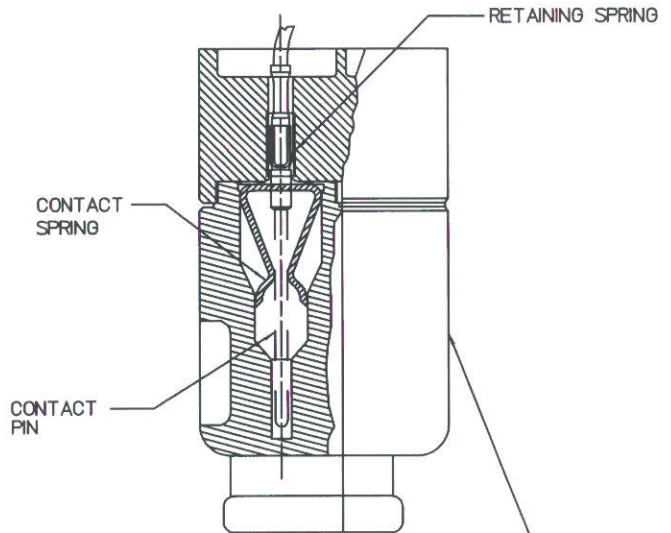
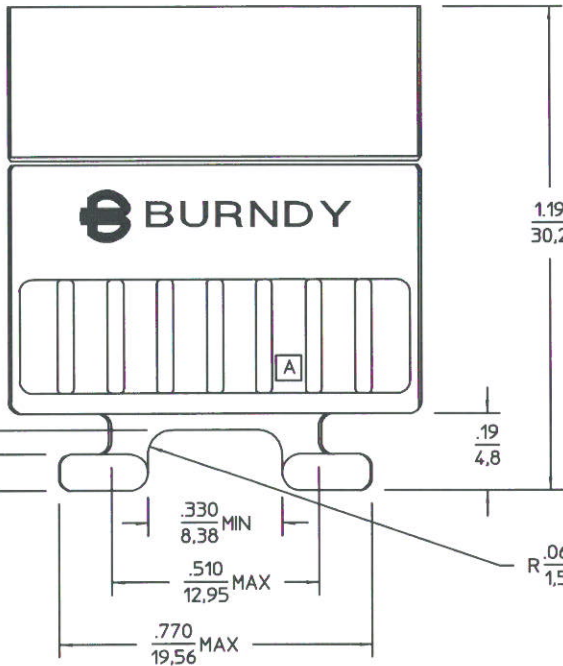
DWG RELEASED TO CENTRAL FILE 06-10-96  
 CAGE NO. 09922      ECN 3556      PC 862

© FRAMATOME CONNECTORS USA INC. 1996

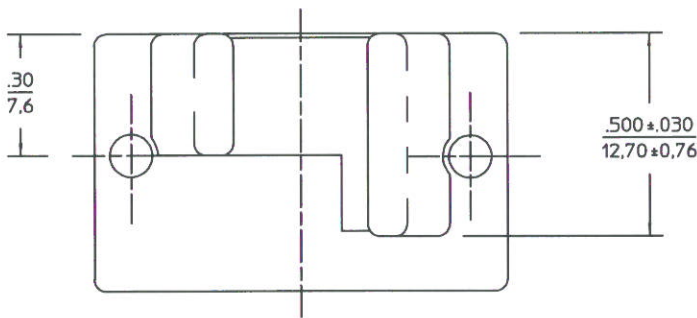


A P P R O V A L	DRWN	DWJ	05-31-80
	CHKD	SFP	10-16-80
	DSGN	LAS	10-24-80
	MKT	FG	05-31-96
	QC	ZR	06-05-96
DRAWING SCALE: NONE			
DRAWING NO.		REV	
SA84122		9	
SHEET 3 OF 5			





CUSTOMER PART NUMBER  
FCI CAT. NUMBER



---	ALL REV. RECORDED ON SHT 1	---	---	---
REV	REVISION DESCRIPTION	BY	CHKD	DATE

HIGH DENSITY YHLZ TERMINAL BLOCK MODULES

CAT NO. YHLZ16- (SEE TABLE)

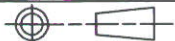
DWG RELEASED TO CENTRAL FILE 06-10-96

CAGE NO. 09922 ECN 3556 PC 862

© FRAMATOME CONNECTORS USA INC. 1996

LINEAR MEASURE: INCH mm INCH [mm]

THIRD ANGLE PROJECTION



- TOLERANCES -

UNLESS OTHERWISE SPECIFIED

NO OF DECIMAL PLACES IN INCHES INCH [mm]

ONE PLACE ±.1 [±3]

TWO PLACES ±.02 [±0.5]

THREE PLACES ±.005 [±0.13]

ANGLES ±1°



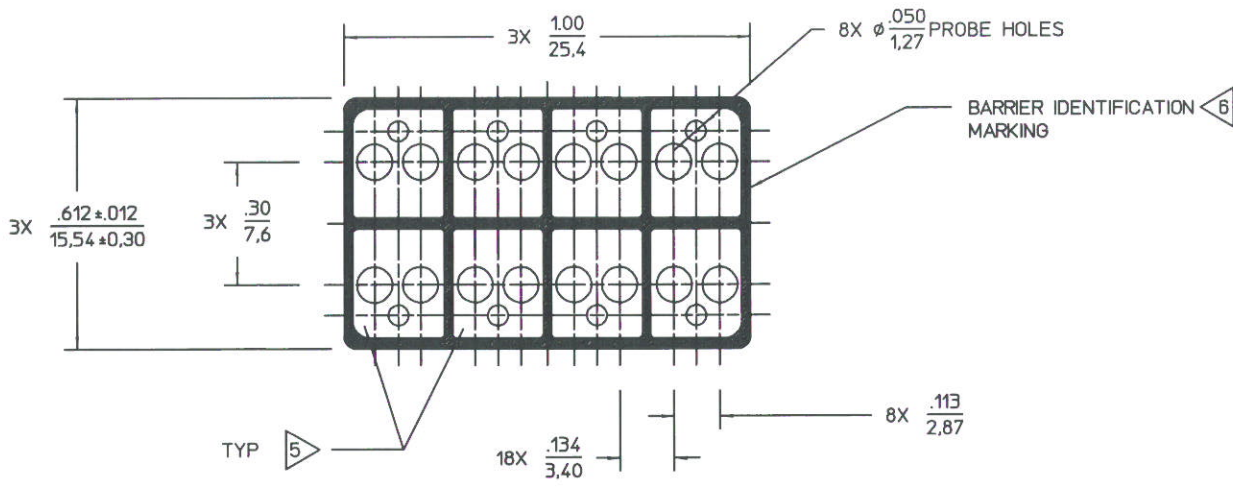
APPROVAL	DRWN DWJ 05-31-80
	CHKD SFP 10-16-80
	DSGN LAS 10-24-80
	MKT FG 05-31-96
	QC ZR 06-05-96

DRAWING SCALE 2 : 1

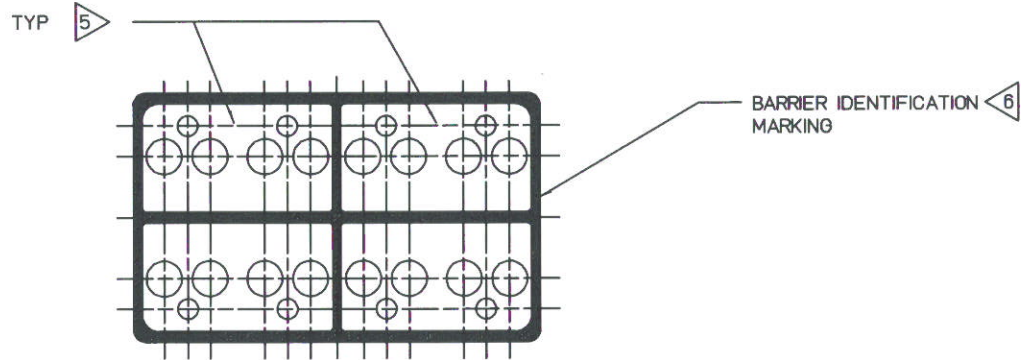
DRAWING NO REV

SA84122 9

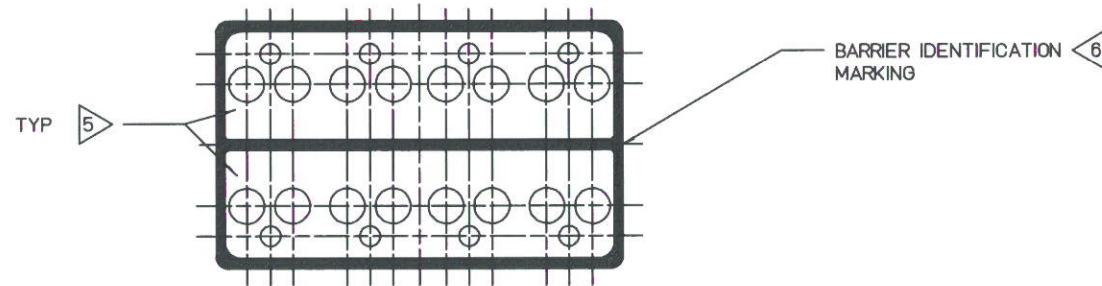
SHEET 4 OF 5



YHLZ16-2 (BACM15C3A)  
8 UNITS OF 2 BUSSED TOGETHER



YHLZ16-4 (BACM15C3B)  
4 UNITS OF 4 BUSSED TOGETHER



YHLZ16-8 (BACM15C3C)  
2 UNITS OF 8 BUSSED TOGETHER

---	ALL REV. RECORDED ON SHT 1	---	---	---
REV	REVISION DESCRIPTION	BY	CHKD	DATE

**HIGH DENSITY YHLZ TERMINAL BLOCK MODULES**

CAT NO. YHLZ16- (SEE TABLE)

LINEAR MEASURE: INCH mm INCH [mm]

THIRD ANGLE PROJECTION

- TOLERANCES -  
UNLESS OTHERWISE SPECIFIED

NO OF DECIMAL PLACES IN INCHES	INCH [mm]
ONE PLACE	±.1 [±3]
TWO PLACES	±.02 [±0.5]
THREE PLACES	±.005 [±0.13]

ANGLES ±1°

DWG RELEASED TO CENTRAL FILE XX-XX-XX

CAGE NO. 09922 | ECN 3556 | PC 862

© FRAMATOME CONNECTORS USA INC. 1996



APPROVAL	DRWN DWJ 05-31-80
	CHKD SFP 10-16-80
	DSGN LAS 10-24-80
	MKT FG 05-31-96
	QC ZR 06-05-96
DRAWING SCALE 2 : 1	
DRAWING NO	REV
SA84122	9
SHEET 5 OF 5	

Компания «Life Electronics» занимается поставками электронных компонентов импортного и отечественного производства от производителей и со складов крупных дистрибьюторов Европы, Америки и Азии.

С конца 2013 года компания активно расширяет линейку поставок компонентов по направлению коаксиальный кабель, кварцевые генераторы и конденсаторы (керамические, пленочные, электролитические), за счёт заключения дистрибьюторских договоров

Мы предлагаем:

- Конкурентоспособные цены и скидки постоянным клиентам.
- Специальные условия для постоянных клиентов.
- Подбор аналогов.
- Поставку компонентов в любых объемах, удовлетворяющих вашим потребностям.
- Приемлемые сроки поставки, возможна ускоренная поставка.
- Доставку товара в любую точку России и стран СНГ.
- Комплексную поставку.
- Работу по проектам и поставку образцов.
- Формирование склада под заказчика.
- Сертификаты соответствия на поставляемую продукцию (по желанию клиента).
- Тестирование поставляемой продукции.
- Поставку компонентов, требующих военную и космическую приемку.
- Входной контроль качества.
- Наличие сертификата ISO.

В составе нашей компании организован Конструкторский отдел, призванный помогать разработчикам, и инженерам.

Конструкторский отдел помогает осуществить:

- Регистрацию проекта у производителя компонентов.
- Техническую поддержку проекта.
- Защиту от снятия компонента с производства.
- Оценку стоимости проекта по компонентам.
- Изготовление тестовой платы монтаж и пусконаладочные работы.



Тел: +7 (812) 336 43 04 (многоканальный)

Email: [org@lifeelectronics.ru](mailto:org@lifeelectronics.ru)