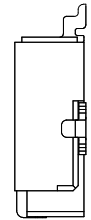
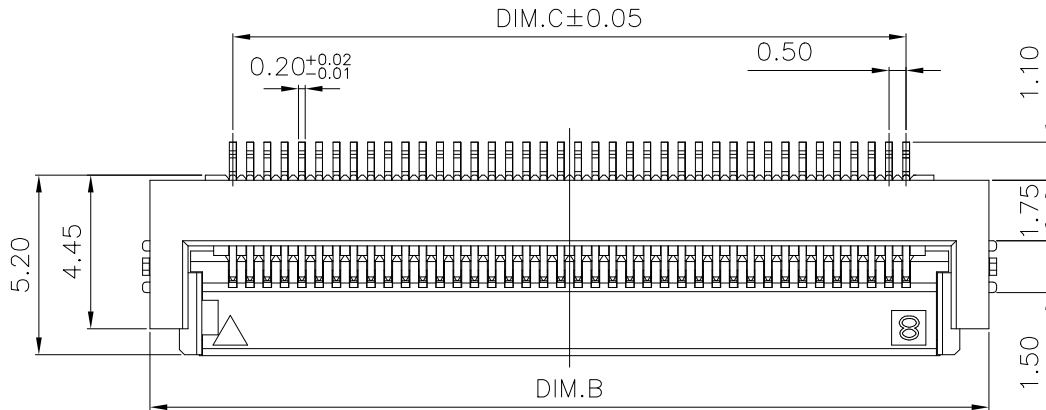


THIS DRAWING IS UNPUBLISHED. RELEASED FOR PUBLICATION
 © COPYRIGHT BY TYCO ELECTRONICS CORPORATION. ALL RIGHTS RESERVED.

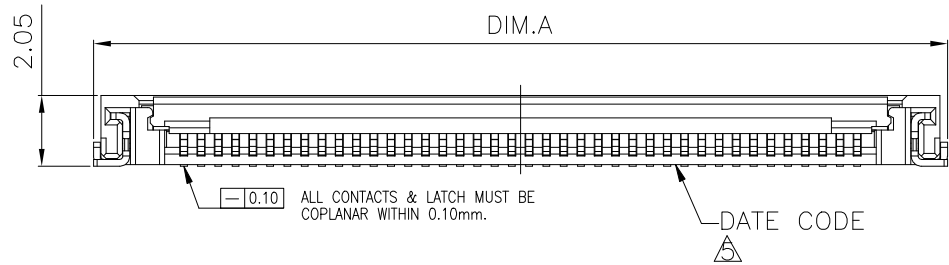
| LOC | DIST | REVISIONS | | | |
|-----|------|-------------|--|---------|----------|
| P | LTR | DESCRIPTION | DATE | DWN | APVD |
| DW | - | G | REVISED (ECR-18-000341), DELETE '0-' FROM PART NO. | 16JAN18 | H.X.W.H. |



NOTES :

- MATERIAL :
 - HOUSING : THERMOPLASTIC (LCP), UL 94 V-0, COLOR:NATURAL
 - ACTUATOR : THERMOPLASTIC (LCP), UL 94 V-0, COLOR:NATURAL
 - CONTACTS : PHOSPHOR BRONZE
 - SOLDER PEG : BRASS
- FINISH:
 - CONTACT: GOLD FLASH PLATING ON CONTACT & SOLDERING AREAS, 1.27μm [50μ"] MIN. NICKEL UNDERPLATING OVERALL.
 - SOLDER PEG: GOLD FLASH PLATING OVERALL 1.27μm [50μ"] MIN. NICKEL UNDERPLATING OVERALL.
- REFLOW SOLDER CAPABLE TO 260°C PER TE SPEC. 109-201, CONDITION B.
- NET WEIGHT : 0.5gram FOR 45 POS.

△ DATE CODE PRINT ONLY FOR 30 POSITION(NOT INCLUDE) ABOVE ITEM.



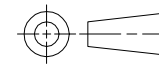
| | | | | | | | | | | | | | | | | |
|---|-------|--|--------------------|--------------------|--------------------------|-------|-------|-------|-----|-------|-----|--------|------|---------------------------|---|--|
| THIS DRAWING IS A CONTROLLED DOCUMENT. | | DWN H. HUANG 29SEP2007 | TE Connectivity | | | | | | | | | | | | | |
| DIMENSIONS: MM | | CHK S. HOU 29SEP2007 | | | | | | | | | | | | | | |
| TOLERANCES UNLESS OTHERWISE SPECIFIED: | | APVD W.J. KE 29SEP2007 | NAME | | | | | | | | | | | | | |
| <table border="0"> <tr><td>0 PLC</td><td>± -</td></tr> <tr><td>1 PLC</td><td>± 0.3</td></tr> <tr><td>2 PLC</td><td>± 0.2</td></tr> <tr><td>3 PLC</td><td>± -</td></tr> <tr><td>4 PLC</td><td>± -</td></tr> <tr><td>ANGLES</td><td>± 3°</td></tr> </table> | | 0 PLC | ± - | 1 PLC | ± 0.3 | 2 PLC | ± 0.2 | 3 PLC | ± - | 4 PLC | ± - | ANGLES | ± 3° | PRODUCT SPEC 108-57590 | ZIF FPC 0.50mm PITCH, 2.0mm HEIGHT, SMT | |
| 0 PLC | ± - | | | | | | | | | | | | | | | |
| 1 PLC | ± 0.3 | | | | | | | | | | | | | | | |
| 2 PLC | ± 0.2 | | | | | | | | | | | | | | | |
| 3 PLC | ± - | | | | | | | | | | | | | | | |
| 4 PLC | ± - | | | | | | | | | | | | | | | |
| ANGLES | ± 3° | | | | | | | | | | | | | | | |
| MATERIAL SEE NOTE | | QUALIFICATION TEST REPORT 501-57687 | SIZE A3 | CAGE CODE 00779 | DRAWING NO. C=1775333 | | | | | | | | | | | |
| FINISH SEE NOTE | | WEIGHT - | RESTRICTED TO - | SCALE - | SHEET 1 OF 4 | | | | | | | | | | | |
| CUSTOMER DRAWING | | | REV G | | | | | | | | | | | | | |

THIS DRAWING IS UNPUBLISHED. RELEASED FOR PUBLICATION
 © COPYRIGHT BY TYCO ELECTRONICS CORPORATION. ALL RIGHTS RESERVED.

| LOC | DIST | REVISIONS | | | | | |
|-----|------|-----------|-----|--------------|------|-----|------|
| DW | — | P | LTR | DESCRIPTION | DATE | DWN | APVD |
| | | | | SEE SHEET 1. | | | |

| | | | | | | |
|----------------|------------|-------|-------|-------|------|-------------|
| AVAILABLE | 28.50 | 27.50 | 32.50 | 32.75 | 56 | 5-1775333-6 |
| | 28.00 | 27.00 | 32.00 | 32.25 | 55 | 5-1775333-5 |
| | 27.50 | 26.50 | 31.50 | 31.75 | 54 | 5-1775333-4 |
| | 27.00 | 26.00 | 31.00 | 31.25 | 53 | 5-1775333-3 |
| NOT AVAILABLE | 26.50 | 25.50 | 30.50 | 30.75 | 52 | 5-1775333-2 |
| NOT AVAILABLE | 26.00 | 25.00 | 30.00 | 30.25 | 51 | 5-1775333-1 |
| AVAILABLE | 25.50 | 24.50 | 29.30 | 29.75 | 50 | 5-1775333-0 |
| NOT AVAILABLE | 25.00 | 24.00 | 28.80 | 29.25 | 49 | 4-1775333-9 |
| AVAILABLE | 24.50 | 23.50 | 28.30 | 28.75 | 48 | 4-1775333-8 |
| NOT AVAILABLE | 24.00 | 23.00 | 27.80 | 28.25 | 47 | 4-1775333-7 |
| NOT AVAILABLE | 23.50 | 22.50 | 27.30 | 27.75 | 46 | 4-1775333-6 |
| AVAILABLE | 23.00 | 22.00 | 26.80 | 27.25 | 45 | 4-1775333-5 |
| NOT AVAILABLE | 22.50 | 21.50 | 26.30 | 26.75 | 44 | 4-1775333-4 |
| NOT AVAILABLE | 22.00 | 21.00 | 25.80 | 26.25 | 43 | 4-1775333-3 |
| AVAILABLE | 21.50 | 20.50 | 25.30 | 25.75 | 42 | 4-1775333-2 |
| NOT AVAILABLE | 21.00 | 20.00 | 24.80 | 25.25 | 41 | 4-1775333-1 |
| AVAILABLE | 20.50 | 19.50 | 24.30 | 24.75 | 40 | 4-1775333-0 |
| NOT AVAILABLE | 20.00 | 19.00 | 23.80 | 24.25 | 39 | 3-1775333-9 |
| NOT AVAILABLE | 19.50 | 18.50 | 23.30 | 23.75 | 38 | 3-1775333-8 |
| NOT AVAILABLE | 19.00 | 18.00 | 22.80 | 23.25 | 37 | 3-1775333-7 |
| AVAILABLE | 18.50 | 17.50 | 22.30 | 22.75 | 36 | 3-1775333-6 |
| | 18.00 | 17.00 | 21.80 | 22.25 | 35 | 3-1775333-5 |
| TOOLING STATUS | D | C | B | A | POS. | PART NUMBER |
| | DIMENSIONS | | | | | |

| | | | | | | |
|----------------|------------|-------|-------|-------|------|-------------|
| AVAILABLE | 17.50 | 16.50 | 21.30 | 21.75 | 34 | 3-1775333-4 |
| | 17.00 | 16.00 | 20.80 | 21.25 | 33 | 3-1775333-3 |
| | 16.50 | 15.50 | 20.30 | 20.75 | 32 | 3-1775333-2 |
| NOT AVAILABLE | 16.00 | 15.00 | 19.80 | 20.25 | 31 | 3-1775333-1 |
| AVAILABLE | 15.50 | 14.50 | 19.30 | 19.75 | 30 | 3-1775333-0 |
| NOT AVAILABLE | 15.00 | 14.00 | 18.80 | 19.25 | 29 | 2-1775333-9 |
| AVAILABLE | 14.50 | 13.50 | 18.30 | 18.75 | 28 | 2-1775333-8 |
| NOT AVAILABLE | 14.00 | 13.00 | 17.80 | 18.25 | 27 | 2-1775333-7 |
| AVAILABLE | 13.50 | 12.50 | 17.30 | 17.75 | 26 | 2-1775333-6 |
| | 13.00 | 12.00 | 16.80 | 17.25 | 25 | 2-1775333-5 |
| | 12.50 | 11.50 | 16.30 | 16.75 | 24 | 2-1775333-4 |
| NOT AVAILABLE | 12.00 | 11.00 | 15.80 | 16.25 | 23 | 2-1775333-3 |
| AVAILABLE | 11.50 | 10.50 | 15.30 | 15.75 | 22 | 2-1775333-2 |
| | 11.00 | 10.00 | 14.80 | 15.25 | 21 | 2-1775333-1 |
| | 10.50 | 9.50 | 14.30 | 14.75 | 20 | 2-1775333-0 |
| NOT AVAILABLE | 10.00 | 9.00 | 13.80 | 14.25 | 19 | 1-1775333-9 |
| AVAILABLE | 9.50 | 8.50 | 13.30 | 13.75 | 18 | 1-1775333-8 |
| | 9.00 | 8.00 | 12.80 | 13.25 | 17 | 1-1775333-7 |
| | 8.50 | 7.50 | 12.30 | 12.75 | 16 | 1-1775333-6 |
| | 8.00 | 7.00 | 11.80 | 12.25 | 15 | 1-1775333-5 |
| | 7.50 | 6.50 | 11.30 | 11.75 | 14 | 1-1775333-4 |
| | 7.00 | 6.00 | 10.80 | 11.25 | 13 | 1-1775333-3 |
| | 6.50 | 5.50 | 10.30 | 10.75 | 12 | 1-1775333-2 |
| NOT AVAILABLE | 6.00 | 5.00 | 9.80 | 10.25 | 11 | 1-1775333-1 |
| AVAILABLE | 5.50 | 4.50 | 9.30 | 9.75 | 10 | 1-1775333-0 |
| | 5.00 | 4.00 | 8.80 | 9.25 | 09 | 1775333-9 |
| | 4.50 | 3.50 | 8.30 | 8.75 | 08 | 1775333-8 |
| NOT AVAILABLE | 4.00 | 3.00 | 7.80 | 8.25 | 07 | 1775333-7 |
| AVAILABLE | 3.50 | 2.50 | 7.30 | 7.75 | 06 | 1775333-6 |
| | 3.00 | 2.00 | 6.80 | 7.25 | 05 | 1775333-5 |
| | 2.50 | 1.50 | 6.30 | 6.75 | 04 | 1775333-4 |
| TOOLING STATUS | D | C | B | A | POS. | PART NUMBER |
| | DIMENSIONS | | | | | |

| | | | | |
|---|--|--|----------------------------|---|
| THIS DRAWING IS A CONTROLLED DOCUMENT. | | DWN | STE TE Connectivity | |
| | | CHK | | |
| DIMENSIONS: MM | | APVD | NAME | |
|  | | PRODUCT SPEC | | ZIF FPC 0.50mm PITCH, 2.0mm HEIGHT, SMT |
| | | TOLERANCES UNLESS OTHERWISE SPECIFIED: | | |
| MATERIAL | | QUALIFICATION TEST REPORT | | RESTRICTED TO |
| SEE NOTE | | WEIGHT | | SIZE |
| SEE NOTE | | CUSTOMER DRAWING | | CAGE CODE |
| | | SCALE | | DRAWING NO |
| | | SHEET | | REV |

4

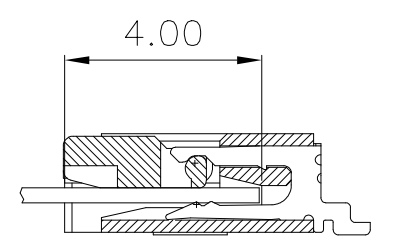
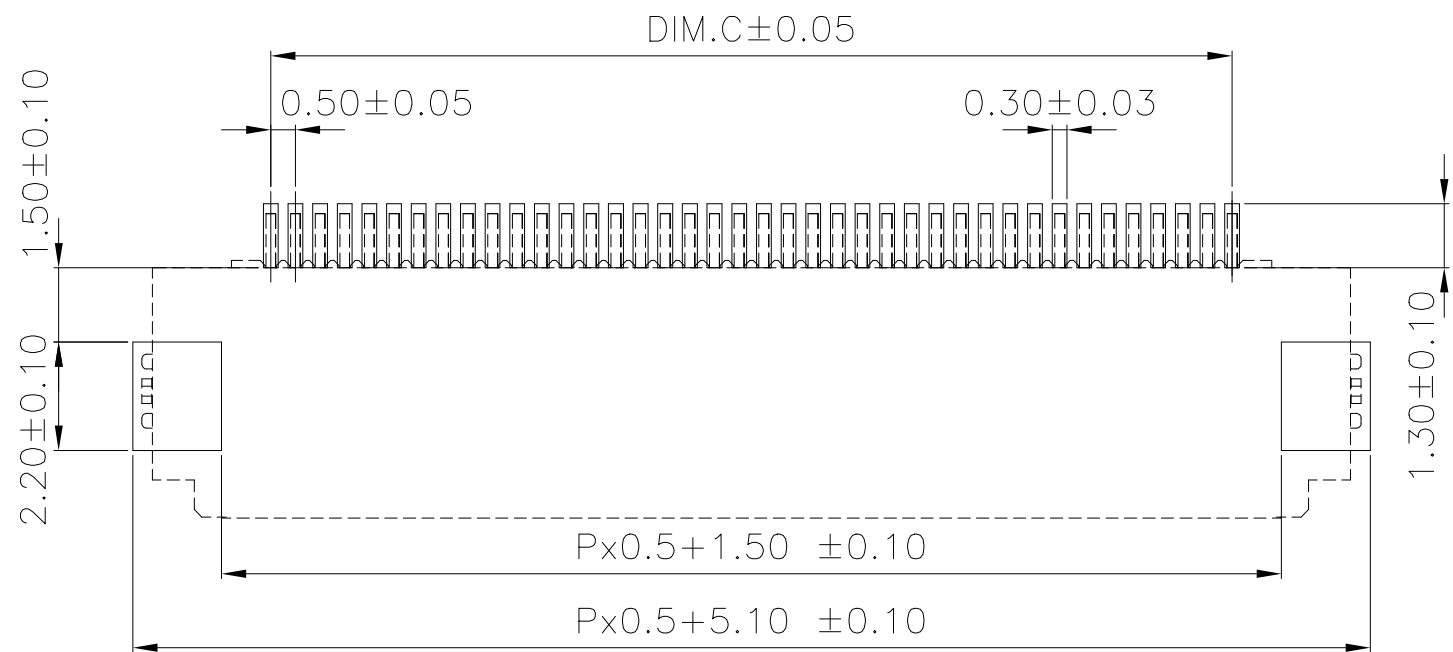
3

2

1

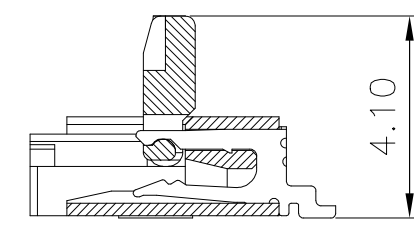
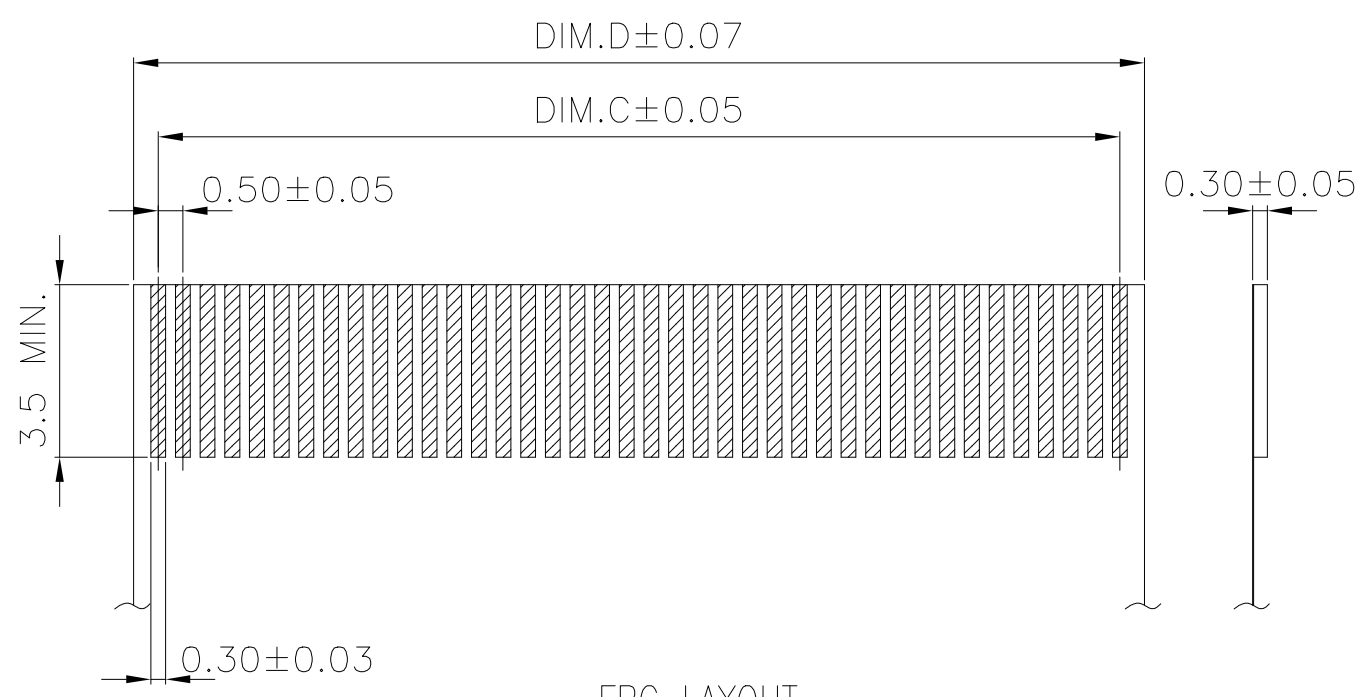
THIS DRAWING IS UNPUBLISHED. RELEASED FOR PUBLICATION
 © COPYRIGHT BY TYCO ELECTRONICS CORPORATION. ALL RIGHTS RESERVED.

| LOC | DIST | REVISIONS | | | |
|-----|------|--------------|------|-----|------|
| P | LTR | DESCRIPTION | DATE | DWN | APVD |
| DW | - | SEE SHEET 1. | | | |



FPC INSERTION DEPTH

RECOMMENDED P.C. BOARD PATTERN LAYOUT
 RECOMMENDED METAL MASK THICKNESS: T=0.15



FPC LAYOUT

| | | | | | |
|--|--|---------------------------|--|---|--|
| THIS DRAWING IS A CONTROLLED DOCUMENT. | | DWN | | STE TE Connectivity | |
| DIMENSIONS: MM | | CHK | | | |
| TOLERANCES UNLESS OTHERWISE SPECIFIED: | | APVD | | NAME | |
| 0 PLC ± - | | PRODUCT SPEC | | ZIF FPC 0.50mm PITCH, 2.0mm HEIGHT, SMT | |
| 1 PLC ± 0.3 | | QUALIFICATION TEST REPORT | | SIZE CAGE CODE DRAWING NO RESTRICTED TO | |
| 2 PLC ± 0.2 | | WEIGHT | | A3 00779 C=1775333 | |
| 3 PLC ± - | | CUSTOMER DRAWING | | SCALE SHEET 3 OF 4 REV G | |
| 4 PLC ± - | | | | | |
| ANGLES ± 3' | | | | | |
| MATERIAL SEE NOTE | | FINISH SEE NOTE | | | |

4

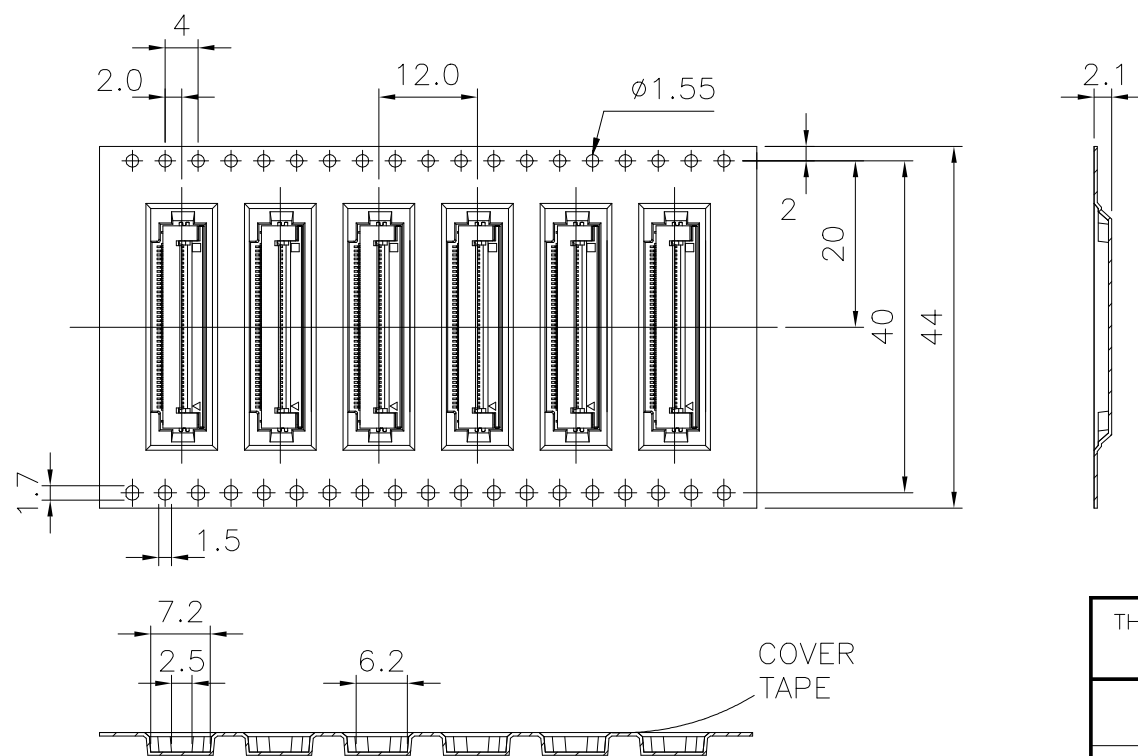
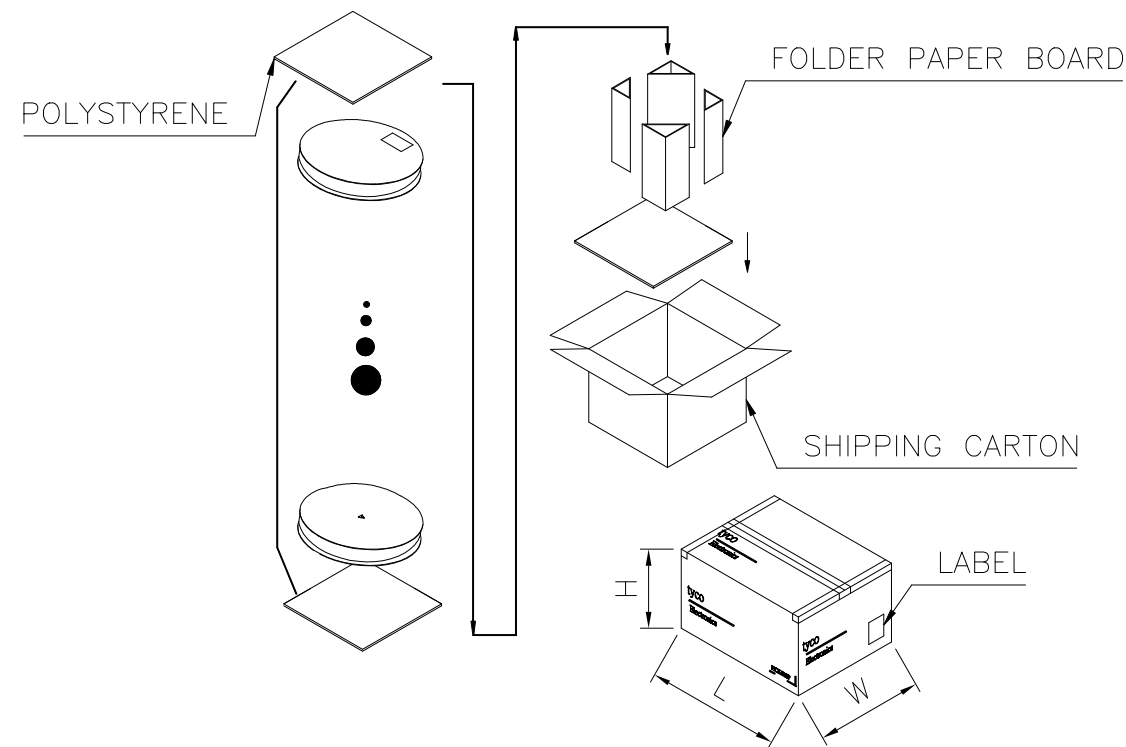
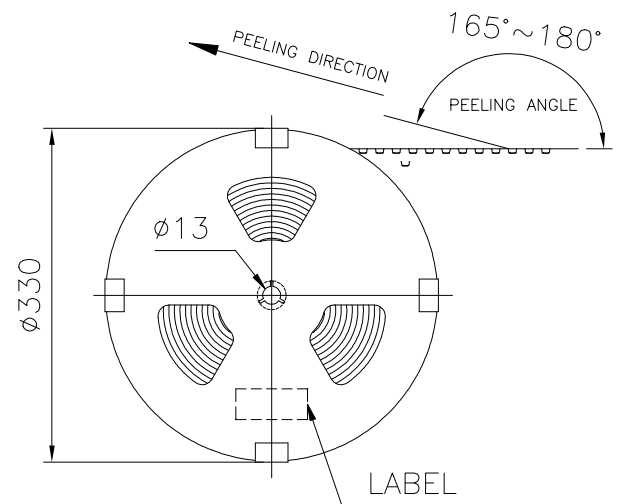
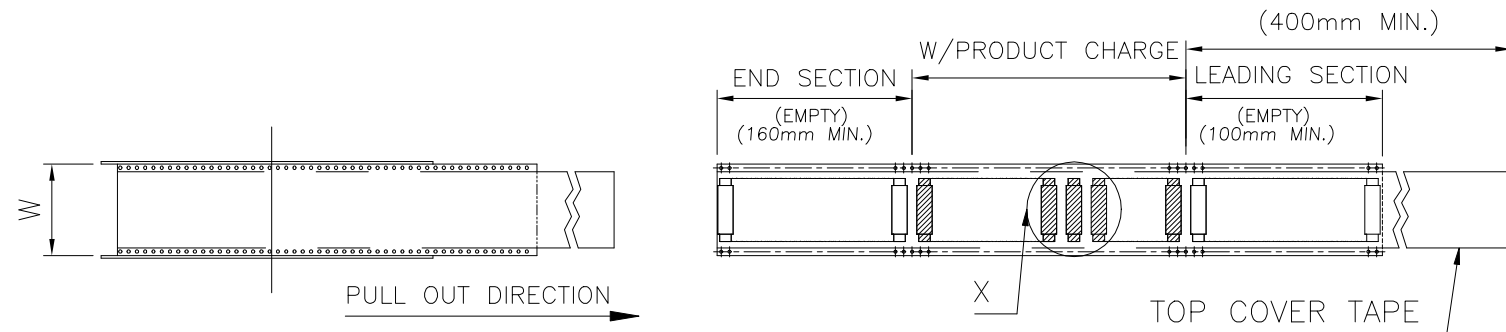
3

2

1

THIS DRAWING IS UNPUBLISHED. RELEASED FOR PUBLICATION
© COPYRIGHT BY TYCO ELECTRONICS CORPORATION. ALL RIGHTS RESERVED.

| | | | | | |
|-----|------|-----------|-----|--------------|------|
| LOC | DIST | REVISIONS | | | |
| DW | — | P | LTR | DESCRIPTION | DATE |
| | | | | SEE SHEET 1. | DWN |
| | | | | | APVD |



| | | | | | |
|---------------|-------------|------------------|----------------|-----------------|-------|
| 4.5~5.3 | 2.8~3.5 | 10,000 | 2000 | 56 | 51~56 |
| 4.4~5.6 | 2.3~3.5 | 12,000 | 2000 | 44 | 30~50 |
| 4.9~5.9 | 2.5~3.5 | 16,000 | 2000 | 32 | 21~29 |
| 4.5~6.5 | 1.5~3.5 | 20,000 | 2000 | 24 | 04~20 |
| GROSS WT.(KG) | NET WT.(KG) | APQ (PCS/CARTON) | PPQ (PCS/REEL) | REEL DIM.W (mm) | POS. |

| | | | | | |
|--|--|---|-----------|------------------|---------------|
| THIS DRAWING IS A CONTROLLED DOCUMENT. | | DWN | | | |
| CHK | | TE Connectivity | | | |
| APVD | | NAME | | | |
| PRODUCT SPEC | | ZIF FPC 0.50mm PITCH, 2.0mm HEIGHT, SMT | | | |
| APPLICATION SPEC | | SIZE | CAGE CODE | DRAWING NO | RESTRICTED TO |
| MATERIAL | | A3 | 00779 | C=1775333 | — |
| FINISH | | WEIGHT | | CUSTOMER DRAWING | SCALE |
| | | — | | — | SHEET 4 OF 4 |
| | | | | | REV G |

Компания «Life Electronics» занимается поставками электронных компонентов импортного и отечественного производства от производителей и со складов крупных дистрибьюторов Европы, Америки и Азии.

С конца 2013 года компания активно расширяет линейку поставок компонентов по направлению коаксиальный кабель, кварцевые генераторы и конденсаторы (керамические, пленочные, электролитические), за счёт заключения дистрибьюторских договоров

Мы предлагаем:

- Конкурентоспособные цены и скидки постоянным клиентам.
- Специальные условия для постоянных клиентов.
- Подбор аналогов.
- Поставку компонентов в любых объемах, удовлетворяющих вашим потребностям.
- Приемлемые сроки поставки, возможна ускоренная поставка.
- Доставку товара в любую точку России и стран СНГ.
- Комплексную поставку.
- Работу по проектам и поставку образцов.
- Формирование склада под заказчика.
- Сертификаты соответствия на поставляемую продукцию (по желанию клиента).
- Тестирование поставляемой продукции.
- Поставку компонентов, требующих военную и космическую приемку.
- Входной контроль качества.
- Наличие сертификата ISO.

В составе нашей компании организован Конструкторский отдел, призванный помогать разработчикам, и инженерам.

Конструкторский отдел помогает осуществить:

- Регистрацию проекта у производителя компонентов.
- Техническую поддержку проекта.
- Защиту от снятия компонента с производства.
- Оценку стоимости проекта по компонентам.
- Изготовление тестовой платы монтаж и пусконаладочные работы.



Тел: +7 (812) 336 43 04 (многоканальный)

Email: org@lifeelectronics.ru