

FEATURES

- Single 3.3V or 5V power supply
- Up to 155Mbps operation
- Low noise PECL data outputs
- Chatter-free PECL Signal Detect (SD) output
- TTL /EN input
- Programmable SD level set (SD_{LVL})
- Available in a tiny 10-pin MSOP (3mm) package

DESCRIPTION

The SY88813V low power limiting post amplifier is designed for use in fiber-optic receivers. The device connects to typical transimpedance amplifiers (TIAs). The linear signal output from TIAs can contain significant amounts of noise and may vary in amplitude over time. The SY88813V quantizes these signals and outputs PECL level waveforms.

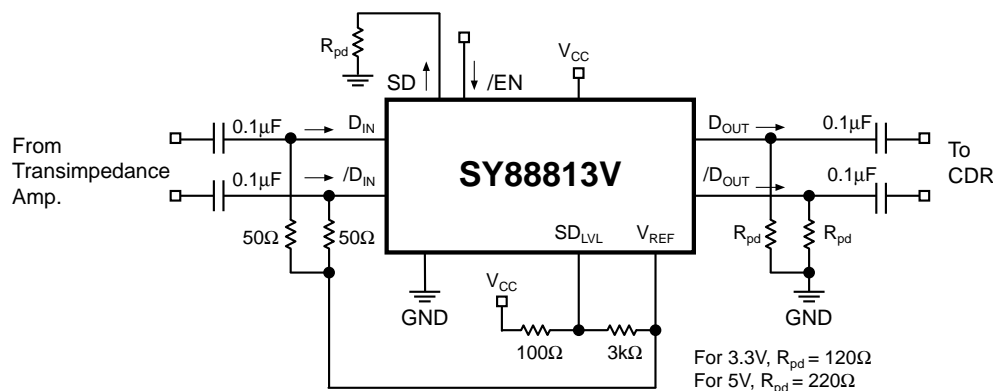
The SY88813V operates from a single +3.3V or +5V power supply, over temperatures ranging from -40°C to $+85^{\circ}\text{C}$. With its wide bandwidth and high gain, signals with data rates up to 155Mbps and as small as 5mV_{PP} can be amplified to drive devices with PECL inputs.

The SY88813V generates a PECL signal-detect output. A programmable signal-detect level set pin (SD_{LVL}) sets the sensitivity of the input amplitude detection. SD asserts high if the input amplitude rises above the threshold set by SD_{LVL} and deasserts low otherwise. /EN deasserts the true output signal without removing the input signal. Typically 4.6dB SD hysteresis is provided to prevent chattering.

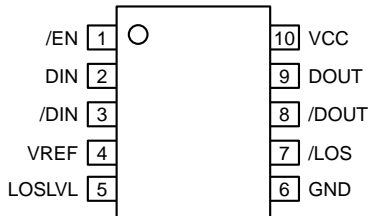
APPLICATIONS

- 155Mbps SONET/SDH
- Small form factor transceivers
- High-gain line driver and line receiver

TYPICAL APPLICATIONS CIRCUIT



PACKAGE/ORDERING INFORMATION



10-Pin MSOP (K10-1)

Ordering Information

| Part Number | Package Type | Operating Range | Package Marking | Lead Finish |
|-----------------------------|--------------|-----------------|--------------------------------------|----------------|
| SY88813VKC | K10-1 | Commercial | 813V | Sn-Pb |
| SY88813VKCTR ⁽¹⁾ | K10-1 | Commercial | 813V | Sn-Pb |
| SY88813VKG | K10-1 | Industrial | 813V with Pb-Free bar-line indicator | Pb-Free NiPdAu |
| SY88813VKGTR ⁽¹⁾ | K10-1 | Industrial | 813V with Pb-Free bar-line indicator | Pb-Free NiPdAu |

Note:

- 1. Tape and Reel.

PIN DESCRIPTION

| Pin Number | Pin Name | Type | Pin Function |
|------------|----------|--------------------------------|---|
| 1 | /EN | TTL Input: Default is high. | Enable: Deasserts true data output when high. |
| 2 | DIN | Data Input | True data input. |
| 3 | /DIN | Data Input | Complementary data input. |
| 4 | VREF | | Reference voltage. |
| 5 | SDLVL | Input | Signal-Detect Level Set: A voltage between V_{CC} and V_{REF} on this pin sets the threshold for the data input amplitude at which SD will be asserted. |
| 6 | GND | Ground | Device ground. |
| 7 | SD | PECL Output | Signal-Detect: Asserts high when the data input amplitude rises above the threshold set by SD_{LVL} . |
| 8 | /DOUT | PECL Output | Complementary data output. |
| 9 | DOUT | PECL Output | True data output. |
| 10 | VCC | Power Supply | Positive power supply. |

Absolute Maximum Ratings⁽¹⁾

Supply Voltage (V_{CC}) 0V to +7.0V
 Input Voltage (D_{IN} , \overline{D}_{IN}) 0 to V_{CC}
 Output Current (I_{OUT})
 Continuous 50mA
 Surge 100mA
 \overline{EN} Voltage 0 to V_{CC}
 V_{REF} Current -800 μ A to +500 μ A
 SD_{LVL} Voltage 0 to V_{CC}
 Lead Temperature (soldering, 20 sec.) +260°C
 Storage Temperature (T_S) -55°C to +125°C

Operating Ratings⁽²⁾

Supply Voltage (V_{CC}) +3.0V to +3.6V or
 +4.5V to +5.5V
 Ambient Temperature (T_A), **Note 3** -40°C to +85°C
 Junction Temperature (T_J), **Note 3** -40°C to +120°C
 Package Thermal Resistance
 MSOP
 (θ_{JA}) Still-Air 113°C/W
 (ψ_{JB}) Still-Air 74°C/W

DC ELECTRICAL CHARACTERISTICS⁽⁴⁾

$V_{CC} = 3.0V$ to $3.6V$ or $4.5V$ to $5.5V$; $R_{LOAD} = 50\Omega$ to $V_{CC}-2V$; $T_A = -40^\circ C$ to $+85^\circ C$; typical values at $V_{CC} = 3.3V$, $T_A = 25^\circ C$

| Symbol | Parameter | Condition | Min | Typ | Max | Units |
|--------------|------------------------------------|---------------------------------------|----------------|----------------|----------------|--------------------|
| I_{CC} | Power Supply Current | no output load | | 21 | 40 | mA |
| SD_{LVL} | SD_{LVL} Voltage | | V_{REF} | | V_{CC} | V |
| V_{IH} | \overline{EN} Input HIGH Voltage | | 2.0 | | | V |
| V_{IL} | \overline{EN} Input LOW Voltage | | | | 0.8 | V |
| I_{IH} | \overline{EN} Input HIGH Current | $V_{IN} = 2.7V$ $V_{IN} = V_{CC}$ | | | 20 100 | μA μA |
| I_{IL} | \overline{EN} Input LOW Current | $V_{IN} = 0.5V$ | -0.3 | | | mA |
| V_{OH} | PECL Output HIGH Voltage | 50Ω to $V_{CC}-2V$ output load | $V_{CC}-1.085$ | $V_{CC}-0.955$ | $V_{CC}-0.880$ | V |
| V_{OL} | PECL Output LOW Voltage | 50Ω to $V_{CC}-2V$ output load | $V_{CC}-1.830$ | $V_{CC}-1.705$ | $V_{CC}-1.555$ | V |
| V_{OFFSET} | Differential Output Offset | | | | ± 100 | mV |
| V_{IHCMR} | Common Mode Range | Note 5 | GND +1.7 | | V_{CC} | V |
| V_{REF} | Reference Voltage | Note 6 | $V_{CC}-1.38$ | $V_{CC}-1.32$ | $V_{CC}-1.26$ | V |

Notes:

1. Permanent device damage may occur if absolute maximum ratings are exceeded. This is a stress rating only and functional operation is not implied at conditions other than those detailed in the operational sections of this data sheet. Exposure to absolute maximum rating conditions for extended periods may affect device reliability.
2. The data sheet limits are not guaranteed if the device is operated beyond the operating ratings.
3. Commercial devices are guaranteed from 0°C to +85°C ambient temperature.
4. Specification for packaged product only.
5. The V_{IHCMR} range is referenced to the most positive side of the differential input signal.
6. The current provided into or from V_{REF} must be limited to 800 μ A source and 500 μ A sink.

AC ELECTRICAL CHARACTERISTICS(7)

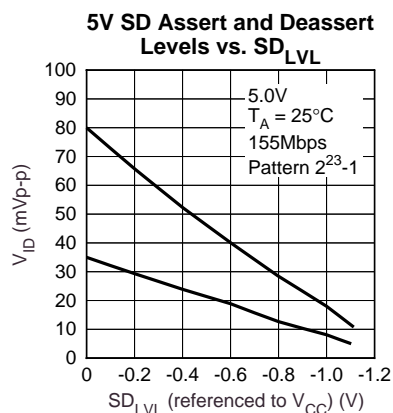
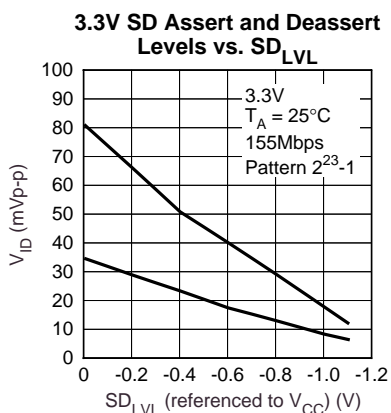
$V_{CC} = 3.0V$ to $3.6V$ or $4.5V$ to $5.5V$; $R_{LOAD} = 50\Omega$ to $V_{CC}-2V$; $T_A = -40^{\circ}C$ to $+85^{\circ}C$; typical values at $V_{CC} = 3.3V$, $T_A = 25^{\circ}C$

| Symbol | Parameter | Condition | Min | Typ | Max | Units |
|---------------|---|--|-----|-------------|------|--------------------------------------|
| HYS | SD Hysteresis | electrical signal | 2 | 4.6 | 8 | dB |
| t_{OFF} | SD Release Time | | | 0.1 | 0.5 | μs |
| t_{ON} | SD Assert Time | | | 0.2 | 0.5 | μs |
| t_r, t_f | Differential Output Rise/Fall Time (20% to 80%) | | | | 1000 | ps |
| V_{ID} | Differential Input Voltage Swing | | 5 | | 1800 | mV _{PP} |
| V_{OD} | Differential Output Voltage Swing | $V_{ID} \geq 18mV_{PP}$ $V_{ID} = 5mV_{PP}$ | | 1500 400 | | mV _{PP} mV _{PP} |
| V_{SR} | SD Sensitivity Range | | 5 | | 50 | mV _{PP} |
| $A_{V(Diff)}$ | Differential Voltage Gain | | | 38 | | dB |
| B_{-3dB} | 3dB Bandwidth | | 200 | | | MHz |
| S_{21} | Single-Ended Small-Signal Gain | | 26 | 32 | | dB |

Note :

7. Specification for packaged product only.

TYPICAL OPERATING CHARACTERISTICS



DETAILED DESCRIPTION

The SY88813V low power limiting post amplifier operates from a single +3.3V or +5V power supply, over temperatures from -40°C to $+85^{\circ}\text{C}$. Signals with data rates up to 155Mbps and as small as 5mV_{PP} can be amplified. Figure 1 shows the allowed input voltage swing. The SY88813V generates a SD output. SD_{LVL} sets the sensitivity of the input amplitude detection.

Input Amplifier/Buffer

Figure 2 shows a simplified schematic of the SY88813V's input stage. The high-sensitivity of the input amplifier allows signals as small as 5mV_{PP} to be detected and amplified. The input amplifier allows input signals as large as $1800\text{mV}_{\text{PP}}$. Input signals are linearly amplified with a typically 38dB differential voltage gain. Since it is a limiting amplifier, the SY88813V outputs typically $1500\text{mV}_{\text{PP}}$ voltage-limited waveforms for input signals that are greater than 18mV_{PP} . Applications requiring the SY88813V to operate with high-gain should have the upstream TIA placed as close as possible to the SY88813V's input pins to ensure the best performance of the device.

Output Buffer

The SY88813V's PECL output buffer is designed to drive 50Ω lines. The output buffer requires appropriate termination for proper operation. An external 50Ω resistor to $V_{\text{CC}}-2\text{V}$ for each output pin provides this. Figure 3 shows a simplified schematic of the output stage and includes an appropriate termination method.

Signal-Detect

The SY88813V generates a chatter-free PECL SD similar to the SY88813V's output buffer. SD is used to determine that the input amplitude is large enough to be considered a valid input. SD asserts high if the input amplitude rises above the threshold set by SD_{LVL} and deasserts low otherwise. /EN deasserts the true output signal without removing the input signals. Typically 4.6dB SD hysteresis is provided to prevent chattering.

Signal-Detect Level Set

A programmable signal-detect level set pin (SD_{LVL}) sets the threshold of the input amplitude detection. Setting a voltage on SD_{LVL} between V_{CC} and V_{REF} sets this threshold. If desired, a resistor divider between V_{CC} and V_{REF} , as shown in Figure 4, also creates this threshold. The smaller the voltage difference from SD_{LVL} to V_{CC} , the smaller the SD sensitivity. Hence, larger input amplitude is required to assert SD. "Typical Operating Characteristics" shows the relationship between the input amplitude detection sensitivity and the SD_{LVL} voltage.

Hysteresis

The SY88813V provides typically 4.6dB SD electrical hysteresis. By definition, a power ratio measured in dB is $10\log(\text{power ratio})$. Power is calculated as V_{IN}^2/R for an electrical signal. Hence the same ratio can be stated as $20\log(\text{voltage ratio})$. While in linear mode, the electrical voltage input changes linearly with the optical power and hence the ratios change linearly. Therefore, the optical hysteresis in dB is half the electrical hysteresis in dB given in the datasheet. The SY88813V provides typically 2.3dB SD optical hysteresis. As the SY88813V is an electrical device, this datasheet refers to hysteresis in electrical terms. With 6dB SD hysteresis, a voltage factor of two is required to assert or deassert SD.

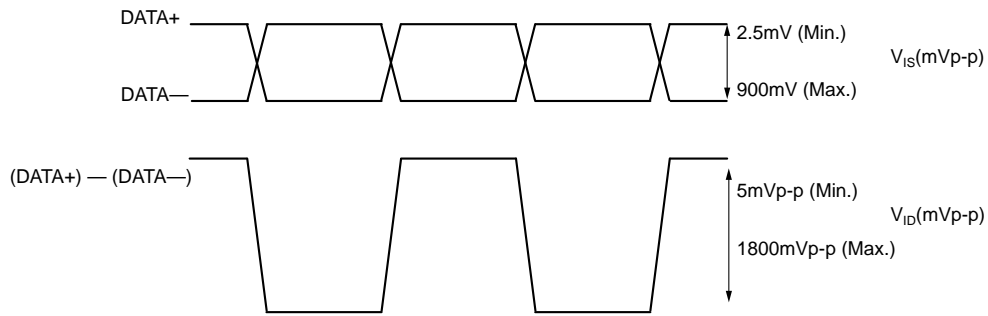


Figure 1. V_{IS} and V_{ID} Definition

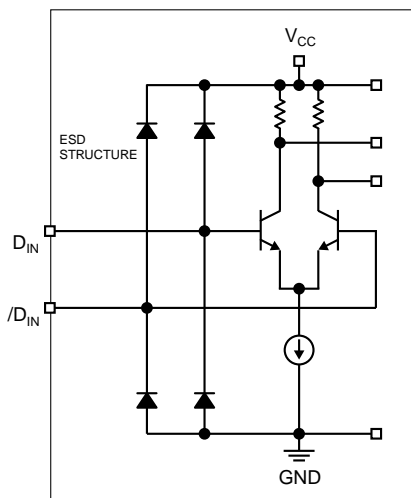


Figure 2. Input Structure

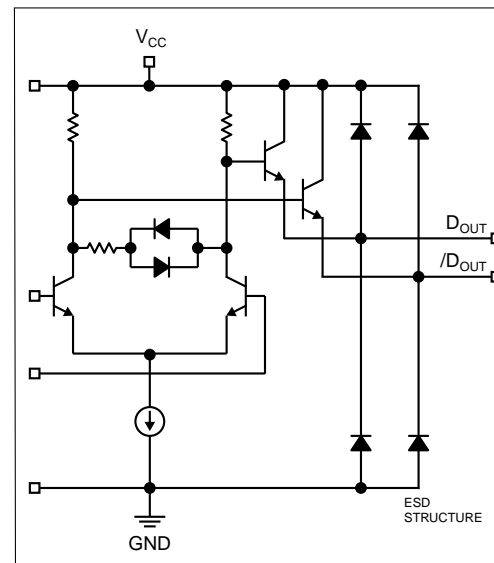


Figure 3. Output Structure

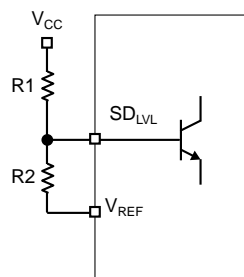
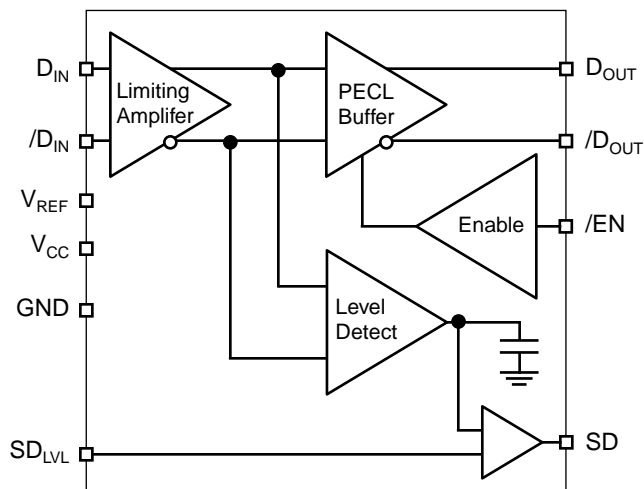


Figure 4. SD_{LVL} Setting Circuit

Notes. $SD_{LVL} = V_{CC} - 1.32V + \frac{R2}{R1+R2} \times 1.32V$
 $R1+R2 \geq 5k\Omega$

FUNCTIONAL BLOCK DIAGRAM



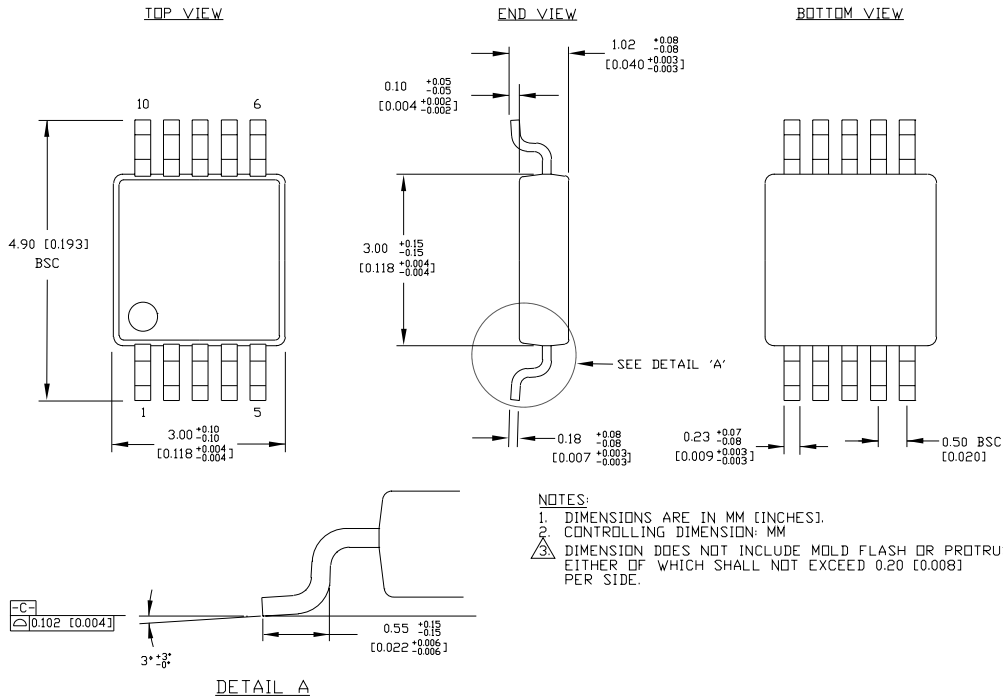
DESIGN PROCEDURE

Layout and PCB Design

Since the SY88813V is a high-frequency component, performance can be largely determined by the board layout and design. A common problem with high-gain amplifiers is the feedback from the large swing outputs to the input via the power supply.

The SY88813V's ground pin should be connected to the circuit board ground. Use multiple PCB vias close to the part to connect to ground. Avoid long, inductive runs which can degrade performance.

10 LEAD MSOP (K10-1)



Rev. 00

MICREL, INC. 2180 FORTUNE DRIVE SAN JOSE, CA 95131 USA

TEL + 1 (408) 944-0800 FAX + 1 (408) 474-1000 WEB <http://www.micrel.com>

The information furnished by Micrel in this datasheet is believed to be accurate and reliable. However, no responsibility is assumed by Micrel for its use. Micrel reserves the right to change circuitry and specifications at any time without notification to the customer.

Micrel Products are not designed or authorized for use as components in life support appliances, devices or systems where malfunction of a product can reasonably be expected to result in personal injury. Life support devices or systems are devices or systems that (a) are intended for surgical implant into the body or (b) support or sustain life, and whose failure to perform can be reasonably expected to result in a significant injury to the user. A Purchaser's use or sale of Micrel Products for use in life support appliances, devices or systems is at Purchaser's own risk and Purchaser agrees to fully indemnify Micrel for any damages resulting from such use or sale.

© 2005 Micrel, Incorporated.

Компания «Life Electronics» занимается поставками электронных компонентов импортного и отечественного производства от производителей и со складов крупных дистрибьюторов Европы, Америки и Азии.

С конца 2013 года компания активно расширяет линейку поставок компонентов по направлению коаксиальный кабель, кварцевые генераторы и конденсаторы (керамические, пленочные, электролитические), за счёт заключения дистрибьюторских договоров

Мы предлагаем:

- Конкурентоспособные цены и скидки постоянным клиентам.
- Специальные условия для постоянных клиентов.
- Подбор аналогов.
- Поставку компонентов в любых объемах, удовлетворяющих вашим потребностям.
- Приемлемые сроки поставки, возможна ускоренная поставка.
- Доставку товара в любую точку России и стран СНГ.
- Комплексную поставку.
- Работу по проектам и поставку образцов.
- Формирование склада под заказчика.
- Сертификаты соответствия на поставляемую продукцию (по желанию клиента).
- Тестирование поставляемой продукции.
- Поставку компонентов, требующих военную и космическую приемку.
- Входной контроль качества.
- Наличие сертификата ISO.

В составе нашей компании организован Конструкторский отдел, призванный помогать разработчикам, и инженерам.

Конструкторский отдел помогает осуществить:

- Регистрацию проекта у производителя компонентов.
- Техническую поддержку проекта.
- Защиту от снятия компонента с производства.
- Оценку стоимости проекта по компонентам.
- Изготовление тестовой платы монтаж и пусконаладочные работы.



Тел: +7 (812) 336 43 04 (многоканальный)

Email: org@lifeelectronics.ru